



Greenconn

Connecting The World. Heading for The Future.



»»» FPC Connectors



Rev. 202302



<https://www.greenconn.com>

SELECTION GUIDE

0.50mm Pitch Solutions



01

CFAC107-A003C



02

CFAC107-A004C



03

CFAC107-A012F



04

CFAC107-A015C



05

CFAC111-A001C



06

CFAC111-A003C



07

CFAC144-A003C



08

CFAC146-A006C



09

CFAC149-A001D



10

CFAC151-A002C



11

CFAC153-A001C



12

CFAD102-A029C



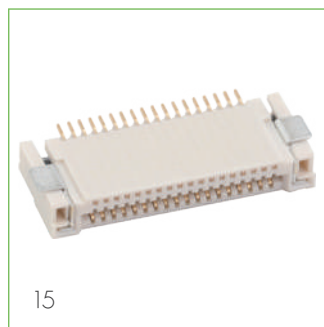
13

CFAD102-A030C



14

CFAD102-A034C



15

CFAD102-A043C



16

CFAD102-A051C



17

CFAD102-A052C



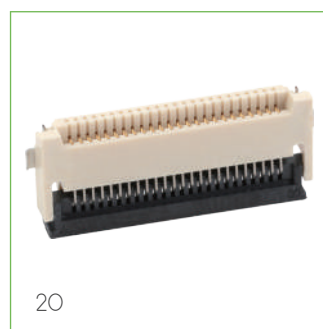
18

CFAD102-A053C



19

CFAD102-A054C



20

CFAD103-A001C



21

CFAD109-A006C



22

CFAD109-A011C



23

CFAD152-A004C



24

CFAD153-A001C



25

CFAD153-A002C



26

CFAD153-A006C



27

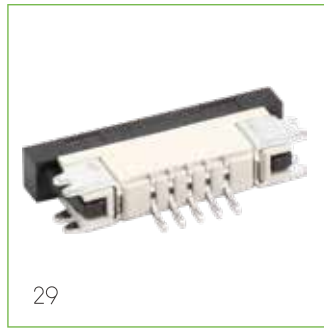
CFAD160-A001C

0.80mm Pitch Solutions



28

CFBD103-A001C



29

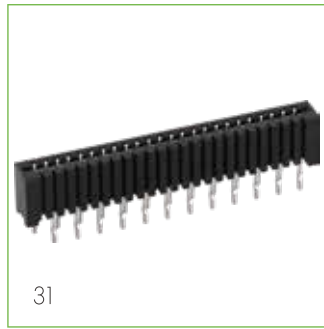
CFBD103-A002C

1.00mm Pitch Solutions



30

CFCA102-A001F



31

CFCA102-A032D



32

CFCA105-A003F



33

CFCA105-A005F



34

CFCA120-A001C



35

CFCA120-A003C



36

CFCB105-A004C



37

CFCB120-A002F



38

CFCB120-A005C



39

CFCB120-A011F



40

CFCB125-A002D



41

CFCB126-A001C



42

CFCC104-A003B



43

CFCC104-A008C



44

CFCC107-A001F



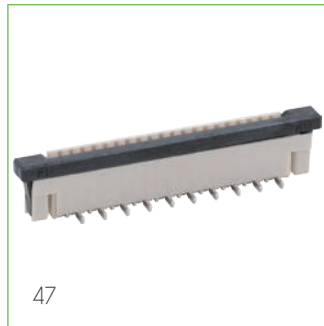
45

CFCC107-A002F



46

CFCC107-A006C



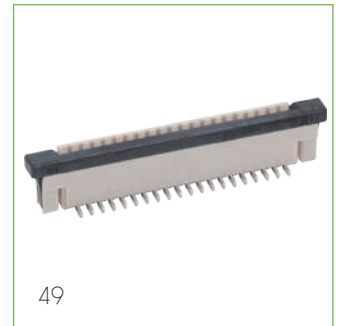
47

CFCC107-A008C



48

CFCC119-A001F



49

CFCC126-A001C



50

CFCC137-A001C



51

CFCD108-A005C



52

CFCD108-A006C



53

CFCD108-A009C



54

CFCD108-A010F



55

CFCD112-A001D



56

CFCD114-A020B



57

CFCD114-A021B



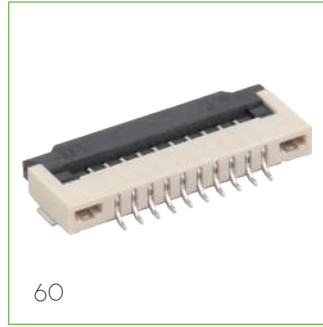
58

CFCD150-A042C



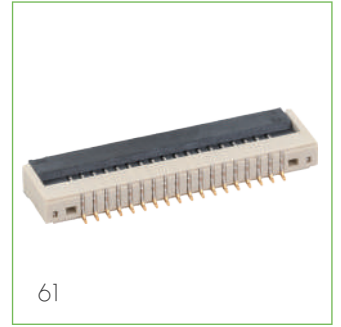
59

CFCD150-A650D



60

CFCD155-A001C



61

CFCD158-A001C



62

CFCD163-A001C



63

CFCD164-A001C



64

CFCD165-A001C



65

CFCD168-A001C

Content



Showcase

0.50 mm

0.80 mm

1.00 mm



Content



Detail

0.50 mm

1 - 27

0.80 mm

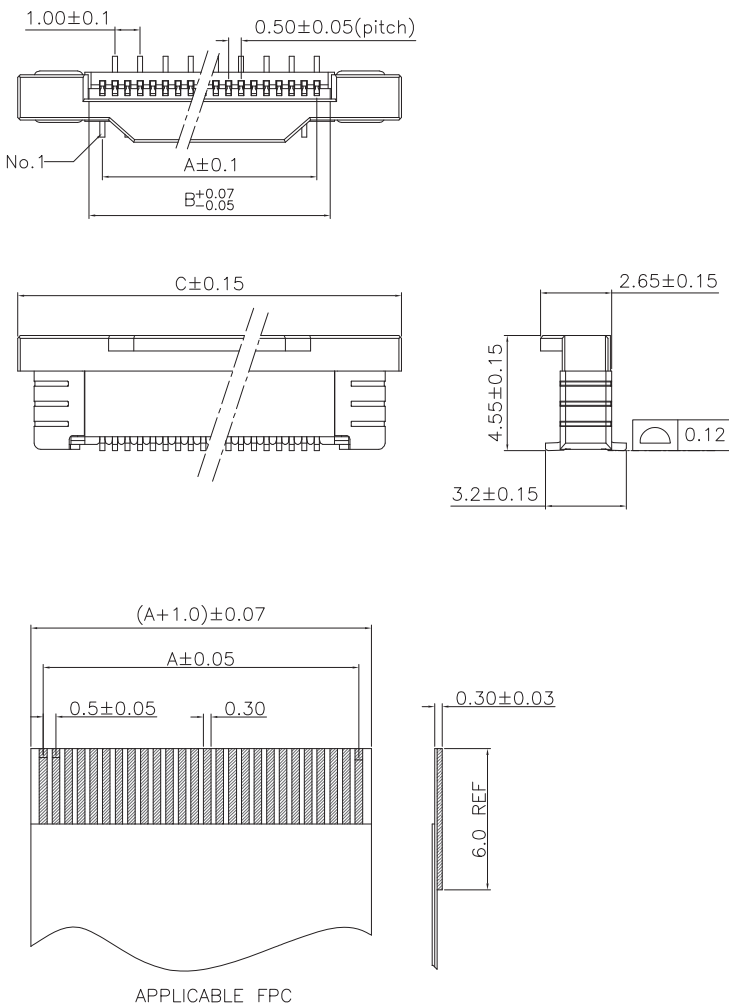
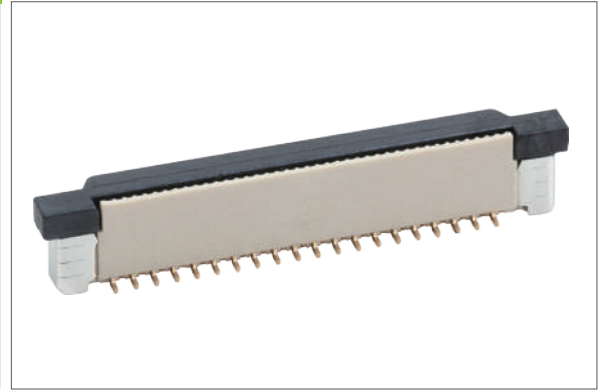
28 - 29

1.00 mm

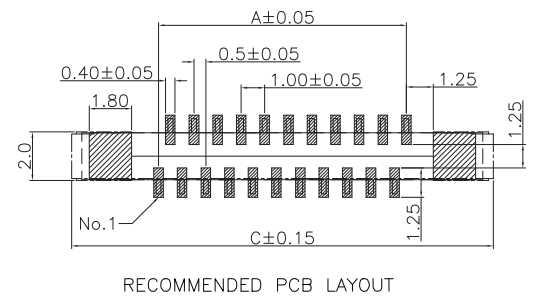
30 - 65

CFAC107-A003C

Current Rating: 0.5A
 Dielectric Withstanding Voltage: 500V/AC
 Contact Resistance: 30mΩ Max.
 Insulation Resistance: 500MΩ Min.
 Operating Temperature: -25°C to +85°C
 Insulation Material: UL 94V-0 LCP



No. Of PIN/ROW	Dimension Information			No. Of PIN/ROW	Dimension Information		
	A	B	C		A	B	C
11	5.0	6.06	11.7	36	17.5	18.56	24.2
12	5.5	6.56	12.2	37	18.0	19.06	24.7
13	6.0	7.06	12.7	38	18.5	19.56	25.2
14	6.5	7.56	13.2	39	19.0	20.06	25.7
15	7.0	8.06	13.7	40	19.5	20.56	26.2
16	7.5	8.56	14.2	41	20.0	21.06	26.7
17	8.0	9.06	14.7	42	20.5	21.56	27.2
18	8.5	9.56	15.2	43	21.0	22.06	27.7
19	9.0	10.06	15.7	44	21.5	22.56	28.2
20	9.5	10.56	16.2	45	22.0	23.06	28.7
21	10.0	11.06	16.7	46	22.5	23.56	29.2
22	10.5	11.56	17.2	47	23.0	24.06	29.7
23	11.0	12.06	17.7	48	23.5	24.56	30.2
24	11.5	12.56	18.2	49	24.0	25.06	30.7
25	12.0	13.06	18.7	50	24.5	25.56	31.2
26	12.5	13.56	19.2	51	25.0	26.06	31.7
27	13.0	14.06	19.7	52	25.5	26.56	32.2
28	13.5	14.56	20.2	53	26.0	27.06	32.7
29	14.0	15.06	20.7	54	26.5	27.56	33.2
30	14.5	15.56	21.2	55	27.0	28.06	33.7
31	15.0	16.06	21.7	56	27.5	28.56	34.2
32	15.5	16.56	22.2	57	28.0	29.06	34.7
33	16.0	17.06	22.7	58	28.5	29.56	35.2
34	16.5	17.56	23.2	59	29.0	30.06	35.7
35	17.0	18.06	23.7	60	29.5	30.56	36.2



Ordering Information

CFAC107 -

No. of Pins per Row

Standard Plating

: Gold Flash

Selective Plating

: Tin

: Gold Flash/Tin

A003C

Color

: White

A

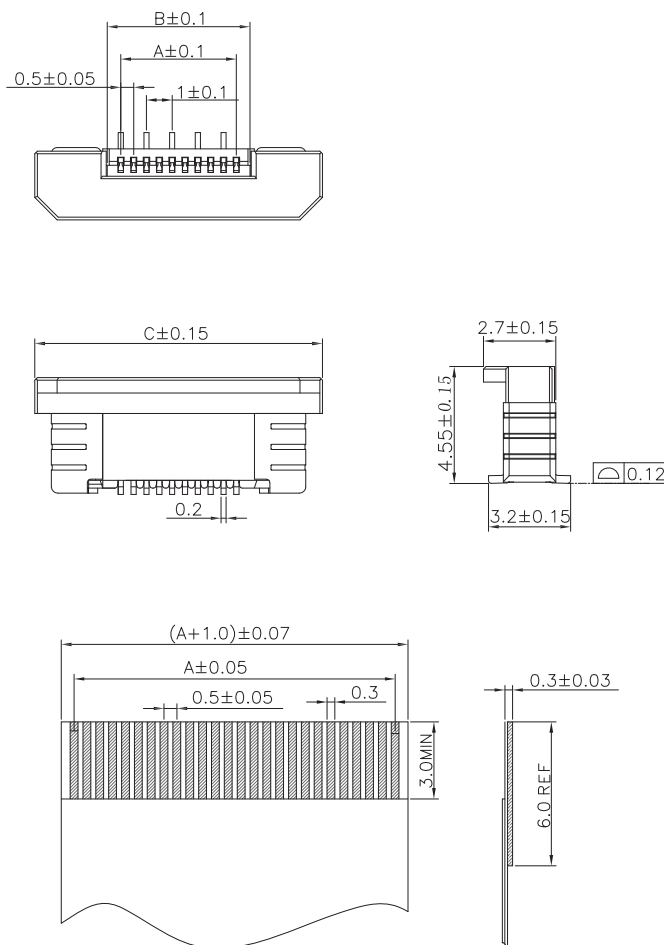
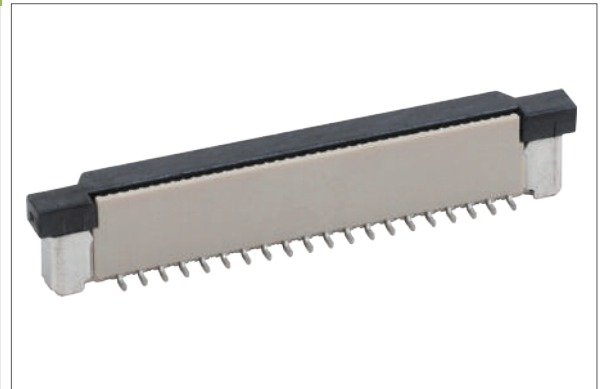
Standard Packing

: Tape&Reel + Mylar



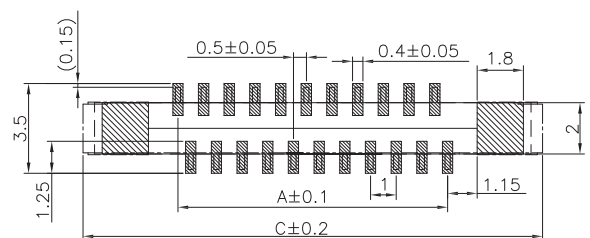
CFAC107-A004C

Current Rating: 0.5A
 Dielectric Withstanding Voltage: 500V/AC
 Contact Resistance: 30mΩ Max.
 Insulation Resistance: 500MΩ Min.
 Operating Temperature: -25°C to +85°C
 Insulation Material: UL 94V-0 LCP



APPLICABLE FPC

No. of PIN/ROW	Dimension Information			No. of PIN/ROW	Dimension Information		
	A	B	C		A	B	C
04	1.50	2.56	8.20	33	16.00	17.06	22.70
05	2.00	3.06	8.70	34	16.50	17.56	23.20
06	2.50	3.56	9.20	35	17.00	18.06	23.70
07	3.00	4.06	9.70	36	17.50	18.56	24.20
08	3.50	4.56	10.20	37	18.00	19.06	24.70
09	4.00	5.06	10.70	38	18.50	19.56	25.20
10	4.50	5.56	11.20	39	19.00	20.06	25.70
11	5.00	6.06	11.70	40	19.50	20.56	26.20
12	5.50	6.56	12.20	41	20.00	21.06	26.70
13	6.00	7.06	12.70	42	20.50	21.56	27.20
14	6.50	7.56	13.20	43	21.00	22.06	27.70
15	7.00	8.06	13.70	44	21.50	22.56	28.20
16	7.50	8.56	14.20	45	22.00	23.06	28.70
17	8.00	9.06	14.70	46	22.50	23.56	29.20
18	8.50	9.56	15.20	47	23.00	24.06	29.70
19	9.00	10.06	15.70	48	23.50	24.56	30.20
20	9.50	10.56	16.20	49	24.00	25.06	30.70
21	10.00	11.06	16.70	50	24.50	25.56	31.20
22	10.50	11.56	17.20	51	25.00	26.06	31.70
23	11.00	12.06	17.70	52	25.50	26.56	32.20
24	11.50	12.56	18.20	53	26.00	27.06	32.70
25	12.00	13.06	18.70	54	26.50	27.56	33.20
26	12.50	13.56	19.20	55	27.00	28.06	33.70
27	13.00	14.06	19.70	56	27.50	28.56	34.20
28	13.50	14.56	20.20	57	28.00	29.06	34.70
29	14.00	15.06	20.70	58	28.50	29.56	35.20
30	14.50	15.56	21.20	59	29.00	30.06	35.70
31	15.00	16.06	21.70	60	29.50	30.56	36.20
32	15.50	16.56	22.20				



RECOMMENDED PCB LAYOUT

Ordering Information

CFAC107 -

No. of Pins per Row

4 - 60

Standard Plating

01 : Tin

Selective Plating

02 : Gold Flash

05 : Gold Flash/Tin

A004C

Color

1 : Black

2 : White

A

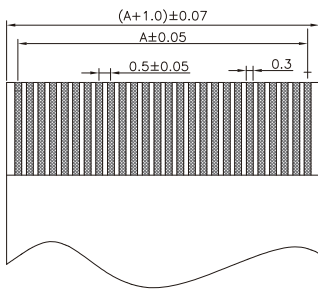
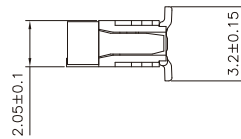
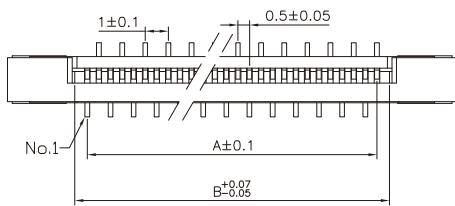
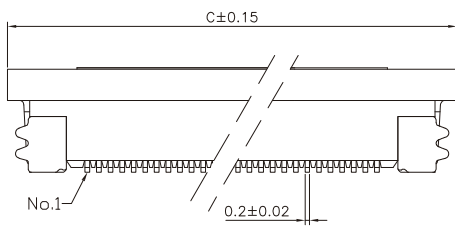
Standard Packing

E : Cap + Tube

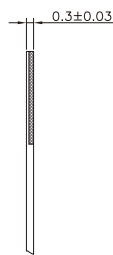


CFAC107-A012F

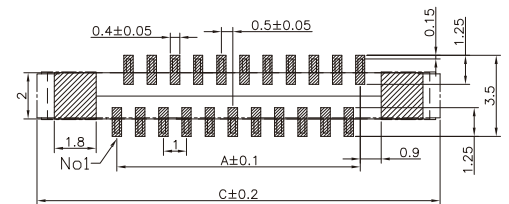
Current Rating: 0.5A
 Dielectric Withstanding Voltage: 500V/AC
 Contact Resistance: 30mΩ Max.
 Insulation Resistance: 500MΩ Min.
 Operating Temperature: -25°C to +85°C
 Insulation Material: UL 94V-0 Nylon 46



APPLICABLE FPC



No. of PIN/ROW	Dimension Information			No. of PIN/ROW	Dimension Information		
	A	B	C		A	B	C
04	1.50	2.56	8.40	33	16.00	17.06	22.90
05	2.00	3.06	8.90	34	16.50	17.56	23.40
06	2.50	3.56	9.40	35	17.00	18.06	23.90
07	3.00	4.06	9.90	36	17.50	18.56	24.40
08	3.50	4.56	10.40	37	18.00	19.06	24.90
09	4.00	5.06	10.90	38	18.50	19.56	25.40
10	4.50	5.56	11.40	39	19.00	20.06	25.90
11	5.00	6.06	11.90	40	19.50	20.56	26.40
12	5.50	6.56	12.40	41	20.00	21.06	26.90
13	6.00	7.06	12.90	42	20.50	21.56	27.40
14	6.50	7.56	13.40	43	21.00	22.06	27.90
15	7.00	8.06	13.90	44	21.50	22.56	28.40
16	7.50	8.56	14.40	45	22.00	23.06	28.90
17	8.00	9.06	14.90	46	22.50	23.56	29.40
18	8.50	9.56	15.40	47	23.00	24.06	29.90
19	9.00	10.06	15.90	48	23.50	24.56	30.40
20	9.50	10.56	16.40	49	24.00	25.06	30.90
21	10.00	11.06	16.90	50	24.50	25.56	31.40
22	10.50	11.56	17.40	51	25.00	26.06	31.90
23	11.00	12.06	17.90	52	25.50	26.56	32.40
24	11.50	12.56	18.40	53	26.00	27.06	32.90
25	12.00	13.06	18.90	54	26.50	27.56	33.40
26	12.50	13.56	19.40	55	27.00	28.06	33.90
27	13.00	14.06	19.90	56	27.50	28.56	34.40
28	13.50	14.56	20.40	57	28.00	29.06	34.90
29	14.00	15.06	20.90	58	28.50	29.56	35.40
30	14.50	15.56	21.40	59	29.00	30.06	35.90
31	15.00	16.06	21.90	60	29.50	30.56	36.40
32	15.50	16.56	22.40				



RECOMMENDED PCB LAYOUT

Ordering Information

CFAC107 -

No. of Pins per Row

Standard Plating

: Tin

A012F

Color

: White

A

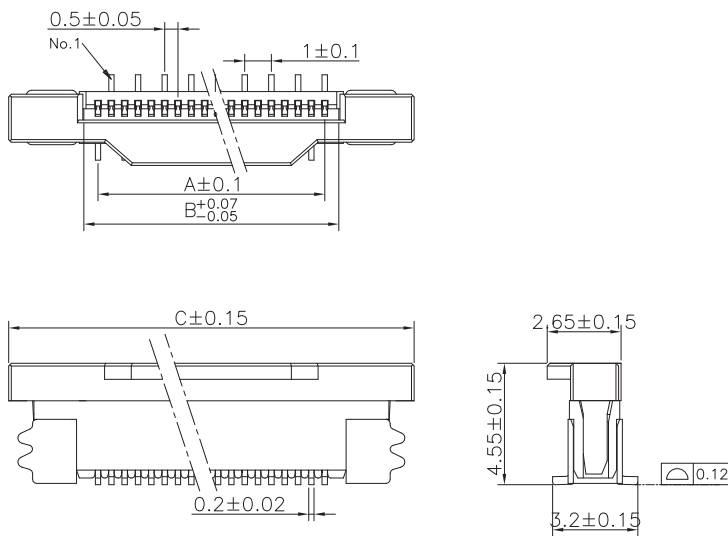
Standard Packing

: Tube

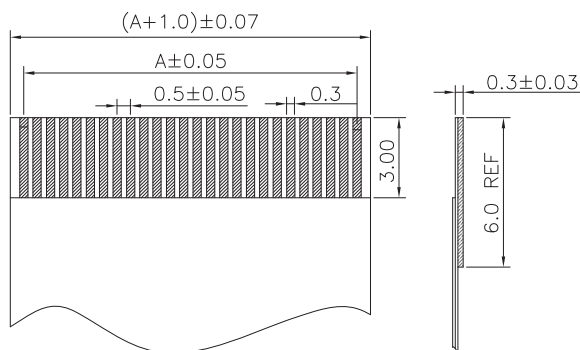


CFAC107-A015C

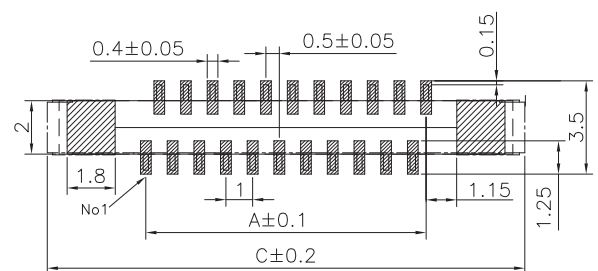
Current Rating: 0.5A
 Dielectric Withstanding Voltage: 500V/AC
 Contact Resistance: 30mΩ Max.
 Insulation Resistance: 500MΩ Min.
 Operating Temperature: -40°C to +85°C
 Insulation Material: UL 94V-0 LCP



No. of PIN/ROW	Dimension Information			No. of PIN/ROW	Dimension Information		
	A	B	C		A	B	C
11	5.00	6.06	11.70	36	17.50	18.56	24.20
12	5.50	6.56	12.20	37	18.00	19.06	24.70
13	6.00	7.06	12.70	38	18.50	19.56	25.20
14	6.50	7.56	13.20	39	19.00	20.06	25.70
15	7.00	8.06	13.70	40	19.50	20.56	26.20
16	7.50	8.56	14.20	41	20.00	21.06	26.70
17	8.00	9.06	14.70	42	20.50	21.56	27.20
18	8.50	9.56	15.20	43	21.00	22.06	27.70
19	9.00	10.06	15.70	44	21.50	22.56	28.20
20	9.50	10.56	16.20	45	22.00	23.06	28.70
21	10.00	11.06	16.70	46	22.50	23.56	29.20
22	10.50	11.56	17.20	47	23.00	24.06	29.70
23	11.00	12.06	17.70	48	23.50	24.56	30.20
24	11.50	12.56	18.20	49	24.00	25.06	30.70
25	12.00	13.06	18.70	50	24.50	25.56	31.20
26	12.50	13.56	19.20	51	25.00	26.06	31.70
27	13.00	14.06	19.70	52	25.50	26.56	32.20
28	13.50	14.56	20.20	53	26.00	27.06	32.70
29	14.00	15.06	20.70	54	26.50	27.56	33.20
30	14.50	15.56	21.20	55	27.00	28.06	33.70
31	15.00	16.06	21.70	56	27.50	28.56	34.20
32	15.50	16.56	22.20	57	28.00	29.06	34.70
33	16.00	17.06	22.70	58	28.50	29.56	35.20
34	16.50	17.56	23.20	59	29.00	30.06	35.70
35	17.00	18.06	23.70	60	29.50	30.56	36.20



APPLICABLE FPC



RECOMMENDED PCB LAYOUT

Ordering Information

CFAC107 -

No. of Pins per Row

4 60

Standard Plating

02 : Gold Flash

Selective Plating

01 : Tin

05 : Gold Flash/Tin

A015C

Color

2 : White

S

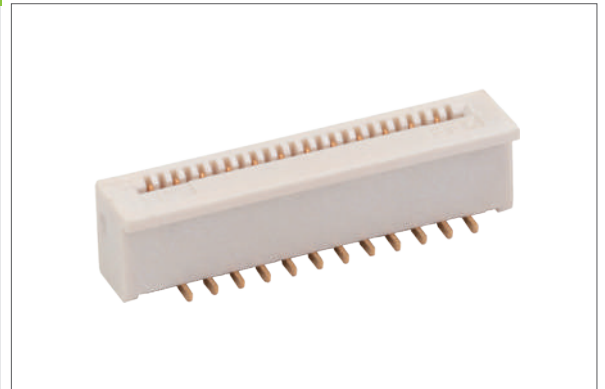
Standard Packing

D : Tape&Reel

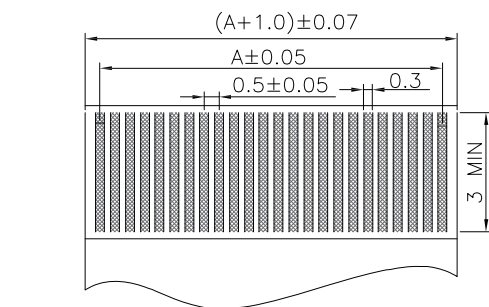
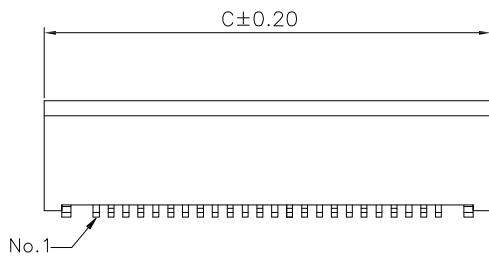
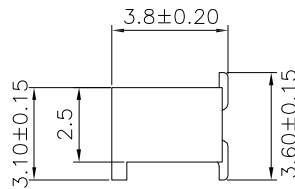
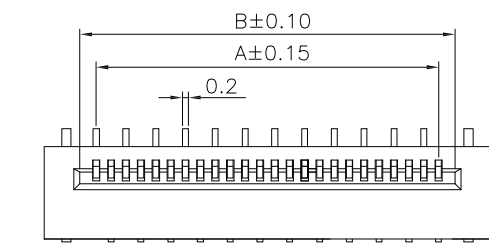


CFAC111-A001C

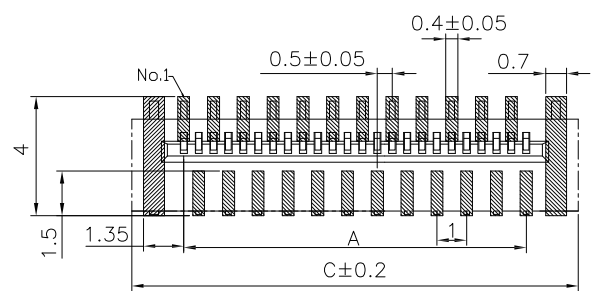
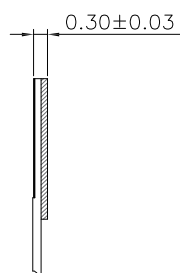
Current Rating: 0.5A
 Dielectric Withstanding Voltage: 500V/AC
 Contact Resistance: 30mΩ Max.
 Insulation Resistance: 500MΩ Min
 Operating Temperature: -25°C to +85°C
 Insulation Material: UL 94V-0 LCP



No. of PIN/ROW	Dimension Information		
	A	B	C
08	3.5	4.56	7
10	4.5	5.56	8
12	5.5	6.56	9
14	6.5	7.56	10
16	7.5	8.56	11
20	9.5	10.56	13
22	10.5	11.56	14
24	11.5	12.56	15
25	12	13.06	15.5
26	12.5	13.56	16
32	15.5	16.56	19



APPLICABLE FPC



RECOMMENDED PCB LAYOUT

Ordering Information

CFAC111 -

No. of Pins per Row

[See Table](#)

Standard Plating

: Tin

Selective Plating

: Gold Flash

: Gold Flash/Tin

A001C

Color

: Black

A

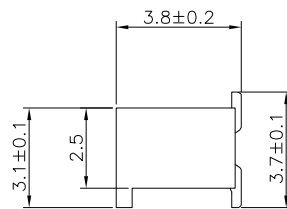
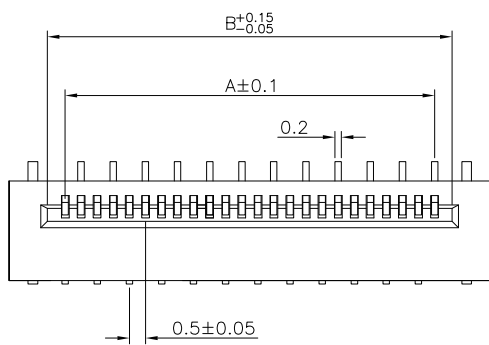
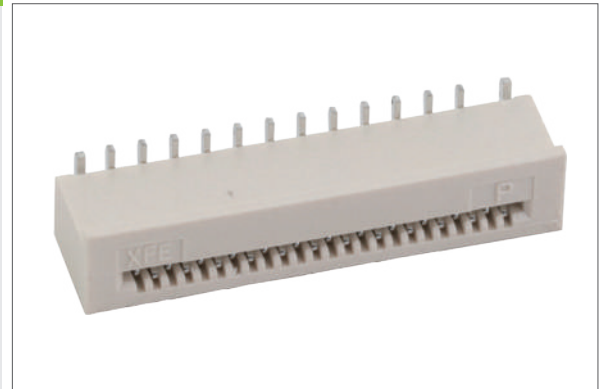
Standard Packing

: Cap + Tube

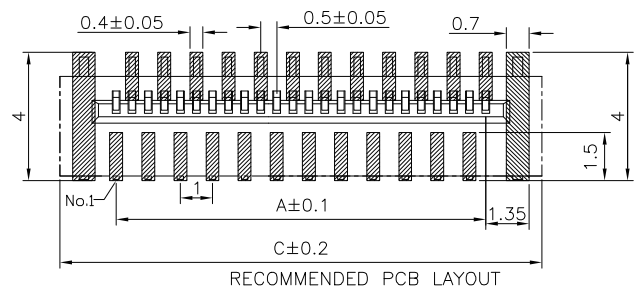
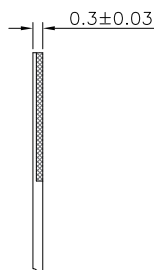
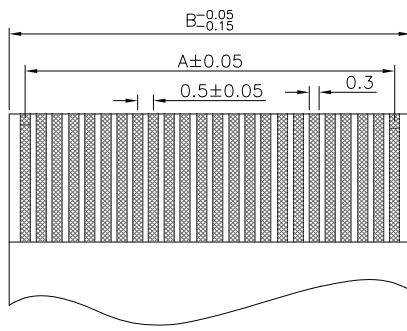
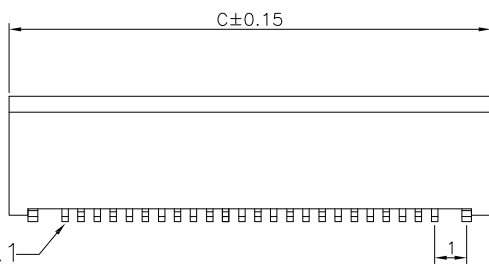


CFAC111-A003C

Current Rating: 0.5A
 Dielectric Withstanding Voltage: 500V/AC
 Contact Resistance: 30mΩ Max.
 Insulation Resistance: 500MΩ Min.
 Operating Temperature: -25°C to +85°C
 Insulation Material: UL 94V-0 LCP



No. of PIN/ROW	Dimension Information		
	A	B	C
10	4.5	5.6	8.0
14	6.5	7.6	10.0
20	9.5	10.6	13.0
24	11.5	12.6	15.0
40	19.5	20.6	23.0



Ordering Information

CFAC111 -

No. of Pins per Row

See Table

Standard Plating

: Tin

Selective Plating

: Gold Flash

: Gold Flash/Tin

A003C

Color

: White

A

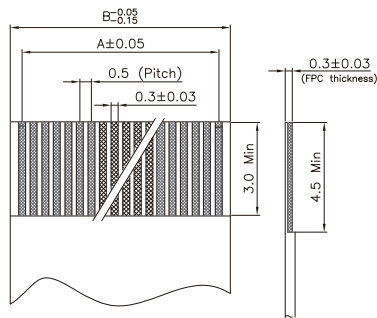
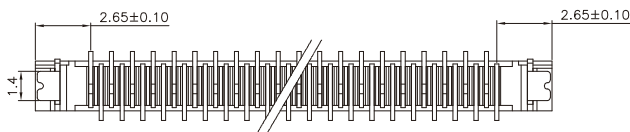
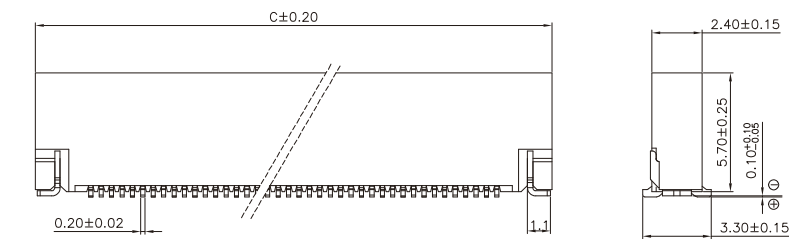
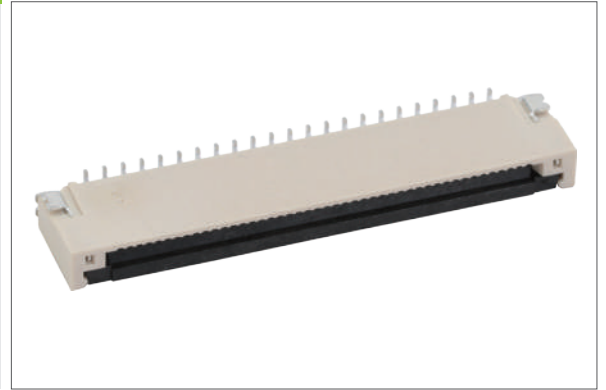
Standard Packing

: Tube



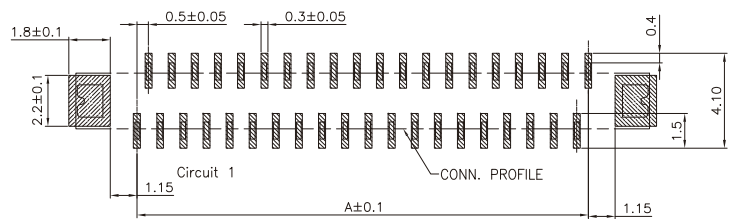
CFAC144-A003C

Current Rating: 0.5A
 Dielectric Withstanding Voltage: 500V/AC
 Contact Resistance: 30mΩ Max.
 Insulation Resistance: 500MΩ Min.
 Operating Temperature: -25°C to +85°C
 Insulation Material: UL 94V-0 LCP



APPLICABLE FPC

No. of PIN/ROW	Dimension Information			No. of PIN/ROW	Dimension Information		
	A	B	C		A	B	C
04	1.50	2.60	6.80	32	15.50	16.50	20.80
05	2.00	3.10	7.30	33	16.00	17.10	21.30
06	2.50	3.60	7.80	34	16.50	17.60	21.80
07	3.00	4.10	8.30	35	17.00	18.10	22.30
08	3.50	4.60	8.80	36	17.50	18.60	22.80
09	4.00	5.10	9.30	37	18.00	19.10	23.30
10	4.50	5.60	9.80	38	18.50	19.60	23.80
11	5.00	6.10	10.30	39	19.00	20.10	24.30
12	5.50	6.60	10.80	40	19.50	20.60	24.80
13	6.00	7.10	11.30	41	20.00	21.10	25.30
14	6.50	7.60	11.80	42	20.50	21.60	25.80
15	7.00	8.10	12.30	43	21.00	22.10	26.30
16	7.50	8.60	12.80	44	21.50	22.60	26.80
17	8.00	9.10	13.30	45	22.00	23.10	27.30
18	8.50	9.60	13.80	46	22.50	23.60	27.80
19	9.00	10.10	14.30	47	23.00	24.10	28.30
20	9.50	10.60	14.80	48	23.50	24.60	28.80
21	10.00	11.10	15.30	49	24.00	25.10	29.30
22	10.50	11.60	15.80	50	24.50	25.60	29.80
23	11.00	12.10	16.30	51	25.00	26.10	30.30
24	11.50	12.60	16.80	52	25.50	26.60	30.80
25	12.00	13.10	17.30	53	26.00	27.10	31.30
26	12.50	13.60	17.80	54	26.50	27.60	31.80
27	13.00	14.10	18.30	55	27.00	28.10	32.30
28	13.50	14.60	18.80	56	27.50	28.60	32.80
29	14.00	15.10	19.30	57	28.00	29.10	33.30
30	14.50	15.60	19.80	58	28.50	29.60	33.80
31	15.00	16.10	20.30	60	29.50	30.60	34.80



RECOMMENDED PCB LAYOUT

Ordering Information

CFAC144 -

No. of Pins per Row

See Table

Standard Plating

: Tin

A003C

Color

: White

A

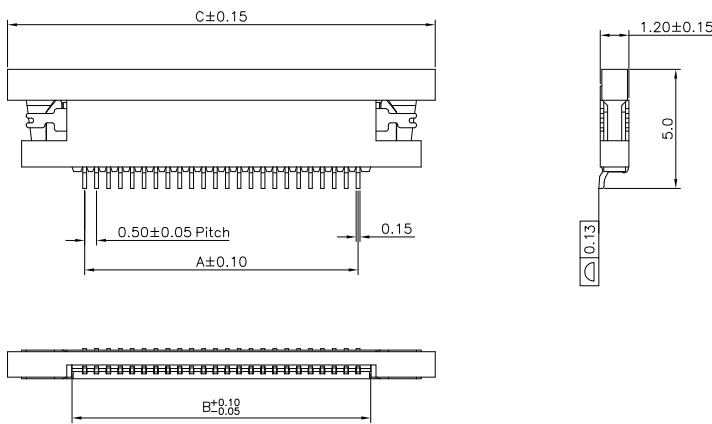
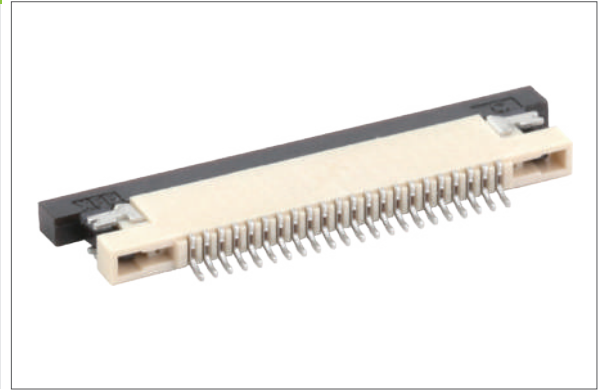
Standard Packing

: Tape&Reel + Film

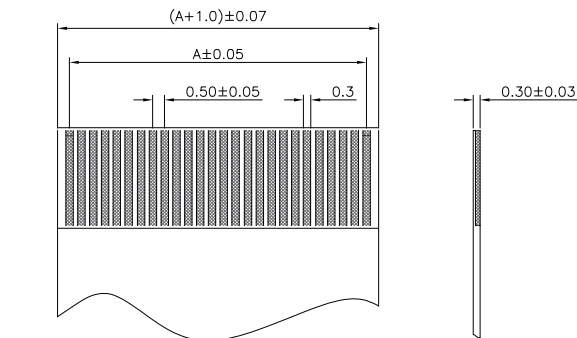


CFAC146-A006C

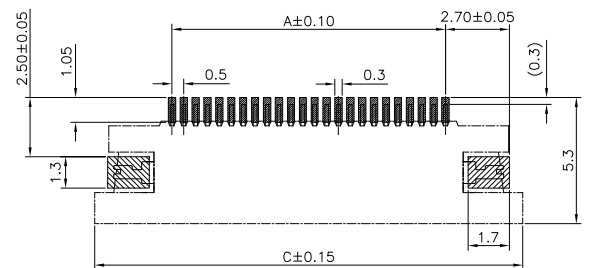
Current Rating: 0.5A
 Dielectric Withstanding Voltage: 500V/AC
 Contact Resistance: 30mΩ Max.
 Insulation Resistance: 500MΩ Min.
 Operating Temperature: -25°C to +85°C
 Insulation Material: UL 94V-0 LCP



No. of PIN/ROW	Dimension Information		
	A	B	C
04	1.50	2.56	8.00
05	2.00	3.06	8.50
06	2.50	3.56	9.00
08	3.50	4.56	10.00
10	4.50	5.56	11.00
12	5.50	6.56	12.00
13	6.00	7.06	12.50
14	6.50	7.56	13.00
15	7.00	8.06	13.50
16	7.50	8.56	14.00
18	8.50	9.56	15.00
20	9.50	10.56	16.00
22	10.50	11.56	17.00
24	11.50	12.56	18.00
25	12.00	13.06	18.50
26	12.50	13.56	19.00
28	13.50	14.56	20.00
30	14.50	15.56	21.00
32	15.50	16.56	22.00
34	16.50	17.56	23.00
40	19.50	20.56	26.00
50	24.50	25.56	31.00
54	26.50	27.56	33.00



APPLICABLE FPC



RECOMMENDED PCB LAYOUT

Ordering Information

CFAC146 -

No. of Pins per Row

See Table

Standard Plating

: Tin

A006C

Color

: White

A

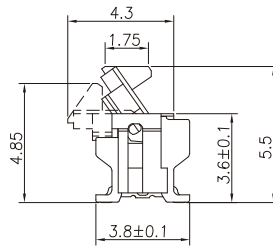
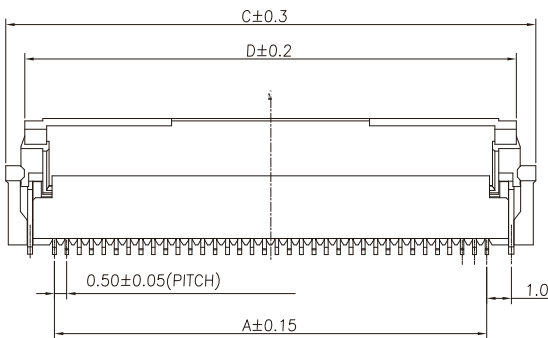
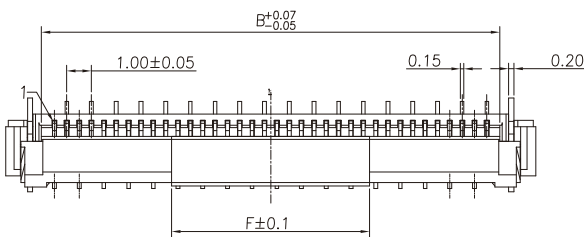
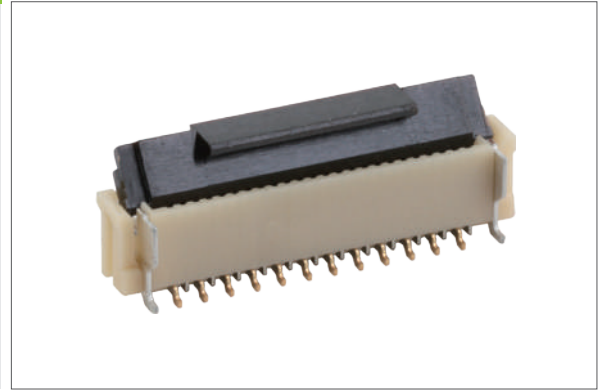
Standard Packing

: Tape&Reel

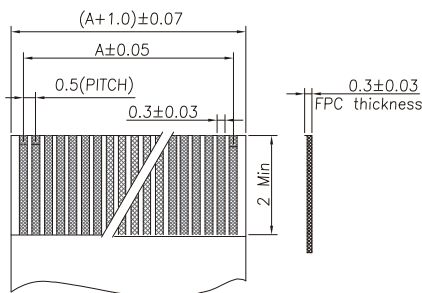


CFAC149-A001D

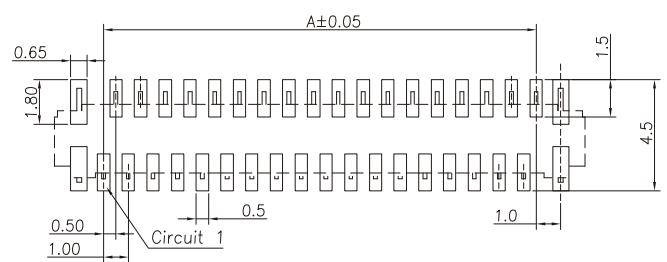
Current Rating: 0.5A
 Dielectric Withstanding Voltage: 200V/AC
 Contact Resistance: 30mΩ Max.
 Insulation Resistance: 500MΩ Min.
 Operating Temperature: -40°C to +85°C
 Insulation Material: UL 94V-0 PA9T



No. of PIN/ROW	Dimension Information				
	A	B	C	D	F
08	3.50	4.56	7.50	5.90	4.00
09	4.00	5.06	8.00	6.40	4.00
10	4.50	5.56	8.50	6.90	4.00
12	5.50	6.56	9.50	7.90	4.00
14	6.50	7.56	10.50	8.90	4.00
16	7.50	8.56	11.50	9.90	4.00
24	11.50	12.56	15.50	13.90	8.00
30	14.50	15.56	18.50	16.90	8.00
32	15.50	16.56	19.50	17.90	8.00
36	17.50	18.56	21.50	19.90	8.00
40	19.50	20.56	23.50	21.90	8.00
50	24.50	25.56	28.50	26.90	8.00
60	29.50	30.56	33.50	31.90	8.00



APPLICABLE FPC



RECOMMENDED PCB LAYOUT

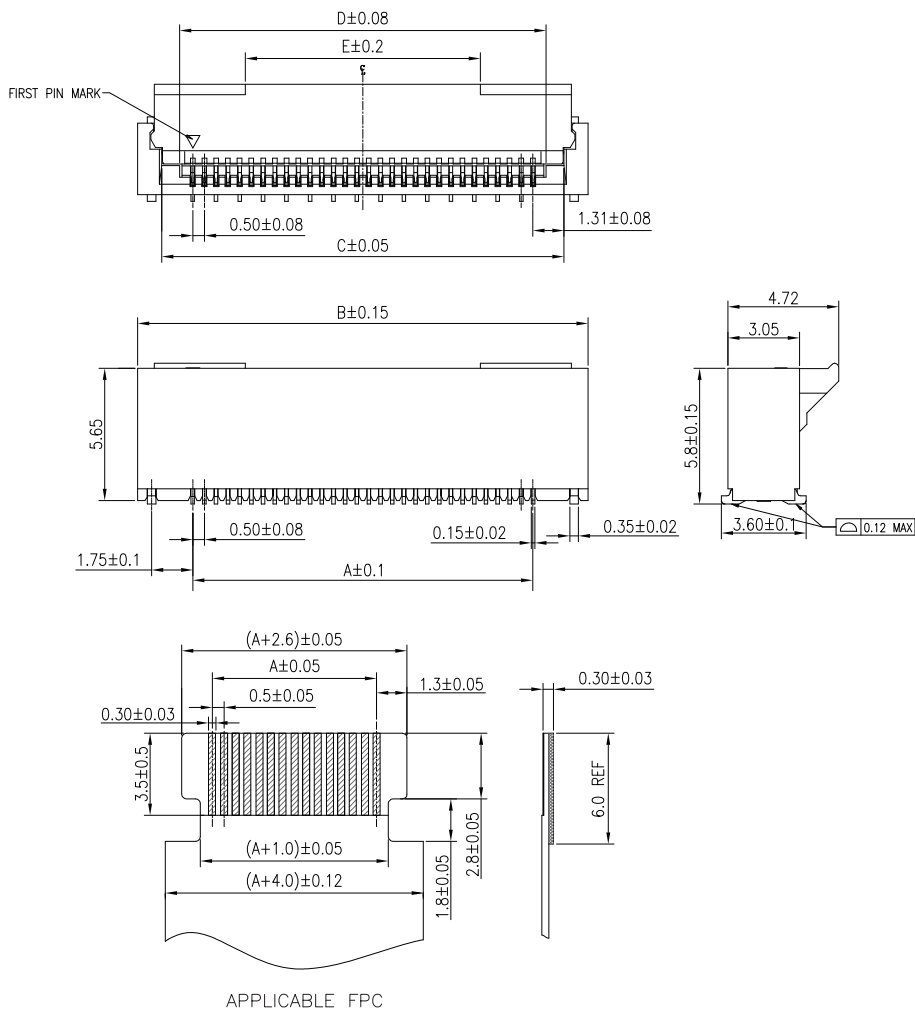
Ordering Information

CFAC149 - A001D A
 No. of Pins per Row Standard Plating Color Standard Packing
 See Table **09 : Gold 3U"** **2 : White** **D : Tape&Reel**

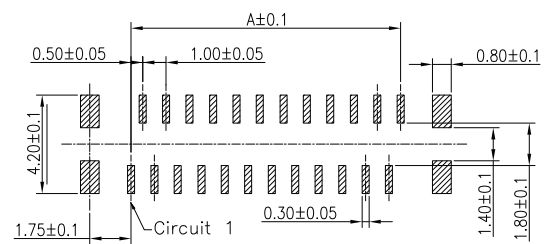


CFAC151-A002C

Current Rating: 0.5A
 Dielectric Withstanding Voltage: 500V/AC
 Contact Resistance: 30mΩ Max.
 Insulation Resistance: 500MΩ Min.
 Operating Temperature: -40°C to +105°C
 Insulation Material: UL 94V-0 LCP



No. of Pin/Row	Dimension Information				
	A	B	C	D	E
10	4.50	9.20	7.12	5.60	5.2
14	6.50	11.20	9.12	7.60	5.2
20	9.50	14.20	12.12	10.60	8.0
24	11.50	16.20	14.12	12.60	10.0
30	14.50	19.20	17.12	15.60	10.0
36	17.50	22.20	20.12	18.60	10.0
40	19.50	24.20	22.12	20.60	10.0
45	22.00	26.70	24.62	23.10	10.0
50	24.50	29.20	27.12	25.60	10.0
60	29.50	34.20	32.12	30.60	10.0
70	34.50	39.20	37.12	35.60	10.0



RECOMMENDED PCB LAYOUT

Ordering Information

CFAC151 -

No. of Pins per Row

See Table

Standard Plating

: Gold Flash

Selective Plating

: Tin

A002C

Color

: White

A

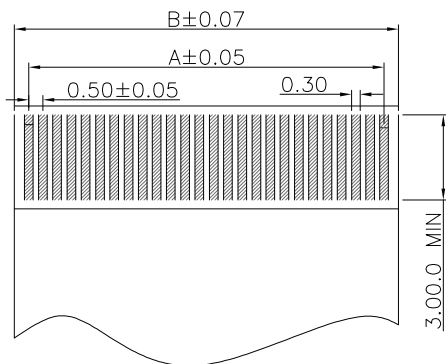
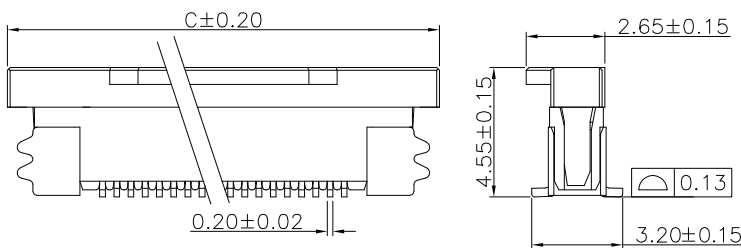
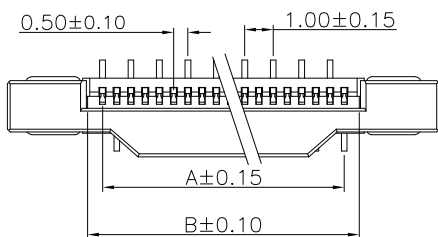
Standard Packing

: Tape&Reel

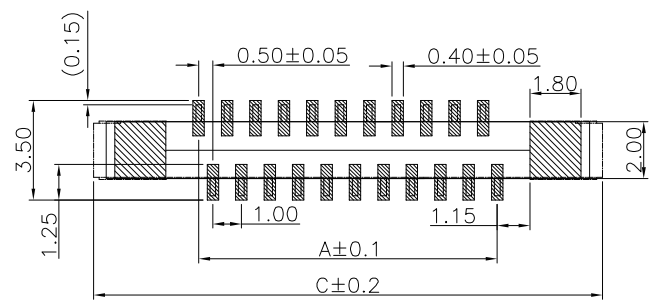
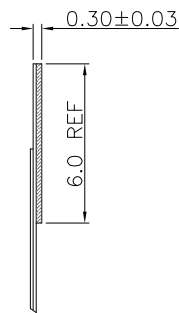


CFAC153-A001C

Current Rating: 0.5A
 Dielectric Withstanding Voltage: 500V/AC
 Contact Resistance: 30mΩ Max.
 Insulation Resistance: 500MΩ Min.
 Operating Temperature: -25°C to +85°C
 Insulation Material: UL 94V-0 LCP



APPLICABLE FPC



RECOMMENDED PCB LAYOUT

No. of PIN/ROW	Dimension Information			No. of PIN/ROW	Dimension Information		
	A	B	C		A	B	C
11	5.00	6.06	11.70	36	17.50	18.56	24.20
12	5.50	6.56	12.20	37	18.00	19.06	24.70
13	6.00	7.06	12.70	38	18.50	19.56	25.20
14	6.50	7.56	13.20	39	19.00	20.06	25.70
15	7.00	8.06	13.70	40	19.50	20.56	26.20
16	7.50	8.56	14.20	41	20.00	21.06	26.70
17	8.00	9.06	14.70	42	20.50	21.56	27.20
18	8.50	9.56	15.20	43	21.00	22.06	27.70
19	9.00	10.06	15.70	44	21.50	22.56	28.20
20	9.50	10.56	16.20	45	22.00	23.06	28.70
21	10.00	11.06	16.70	46	22.50	23.56	29.20
22	10.50	11.56	17.20	47	23.00	24.06	29.70
23	11.00	12.06	17.70	48	23.50	24.56	30.20
24	11.50	12.56	18.20	49	24.00	25.06	30.70
25	12.00	13.06	18.70	50	24.50	25.56	31.20
26	12.50	13.56	19.20	51	25.00	26.06	31.70
27	13.00	14.06	19.70	52	25.50	26.56	32.20
28	13.50	14.56	20.20	53	26.00	27.06	32.70
29	14.00	15.06	20.70	54	26.50	27.56	33.20
30	14.50	15.56	21.20	55	27.00	28.06	33.70
31	15.00	16.06	21.70	56	27.50	28.56	34.20
32	15.50	16.56	22.20	57	28.00	29.06	34.70
33	16.00	17.06	22.70	58	28.50	29.56	35.20
34	16.50	17.56	23.20	59	29.00	30.06	35.70
35	17.00	18.06	23.70	60	29.50	30.56	36.20

Ordering Information

CFAC153 -

No. of Pins per Row

Standard Plating

: Gold Flash

Selective Plating

: Tin

A001C

Color

: Black

: White

A

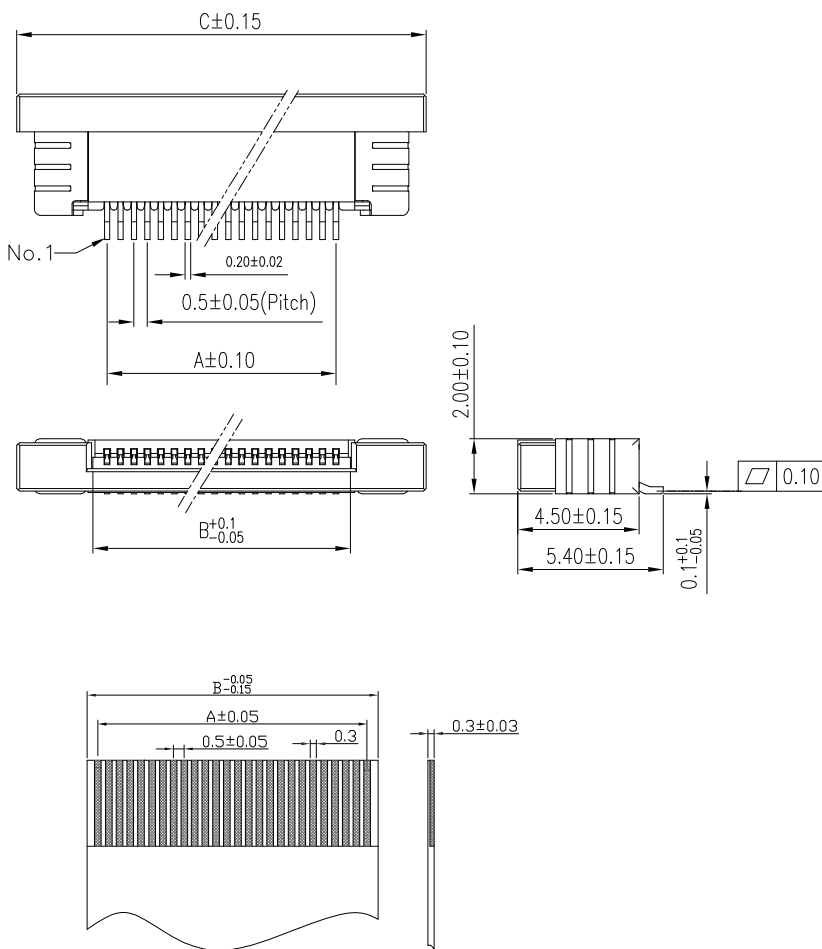
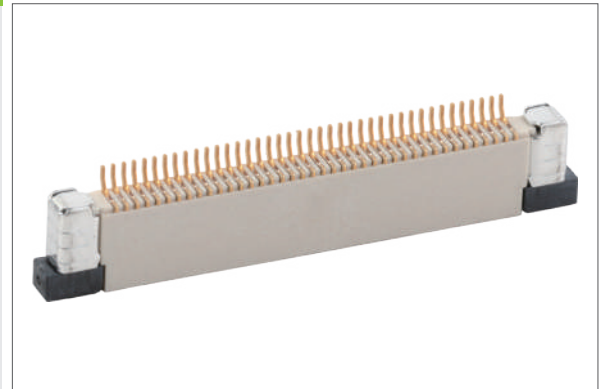
Standard Packing

: Tape&Reel



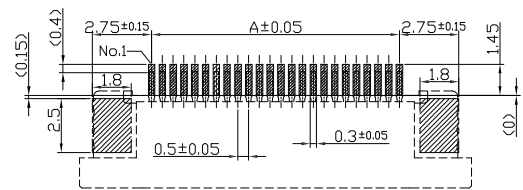
CFAD102-A029C

Current Rating: 0.5A
 Dielectric Withstanding Voltage: 500V/AC
 Contact Resistance: 30mΩ Max.
 Insulation Resistance: 500MΩ Min.
 Operating Temperature: -25°C to +85°C
 Insulation Material: UL 94V-0 LCP



APPLICABLE FPC

No. Of Pin/Row	Dimension Information			No. Of Pin/Row	Dimension Information		
	A	B	C		A	B	C
04	1.50	2.60	8.20	33	16.00	17.10	22.70
05	2.00	3.10	8.70	34	16.50	17.60	23.20
06	2.50	3.60	9.20	35	17.00	18.10	23.70
07	3.00	4.10	9.70	36	17.50	18.60	24.20
08	3.50	4.60	10.20	37	18.00	19.10	24.70
09	4.00	5.10	10.70	38	18.50	19.60	25.20
10	4.50	5.60	11.20	39	19.00	20.10	25.70
11	5.00	6.10	11.70	40	19.50	20.60	26.20
12	5.50	6.60	12.20	41	20.00	21.10	26.70
13	6.00	7.10	12.70	42	20.50	21.60	27.20
14	6.50	7.60	13.20	43	21.00	22.10	27.70
15	7.00	8.10	13.70	44	21.50	22.60	28.20
16	7.50	8.60	14.20	45	22.00	23.10	28.70
17	8.00	9.10	14.70	46	22.50	23.60	29.20
18	8.50	9.60	15.20	47	23.00	24.10	29.70
19	9.00	10.10	15.70	48	23.50	24.60	30.20
20	9.50	10.60	16.20	49	24.00	25.10	30.70
21	10.00	11.10	16.70	50	24.50	25.60	31.20
22	10.50	11.60	17.20	51	25.00	26.10	31.70
23	11.00	12.10	17.70	52	25.50	26.60	32.20
24	11.50	12.60	18.20	53	26.00	27.10	32.70
25	12.00	13.10	18.70	54	26.50	27.60	33.20
26	12.50	13.60	19.20	55	27.00	28.10	33.70
27	13.00	14.10	19.70	56	27.50	28.60	34.20
28	13.50	14.60	20.20	57	28.00	29.10	34.70
29	14.00	15.10	20.70	58	28.50	29.60	35.20
30	14.50	15.60	21.20	59	29.00	30.10	35.70
31	15.00	16.10	21.70	60	29.50	30.60	36.20
32	15.50	16.60	22.20				



RECOMMENDED PCB LAYOUT

Ordering Information

CFAD102 -

No. of Pins per Row

Standard Plating

: Tin

Selective Plating

: Gold Flash

A029C

Color

: Black

: White

A

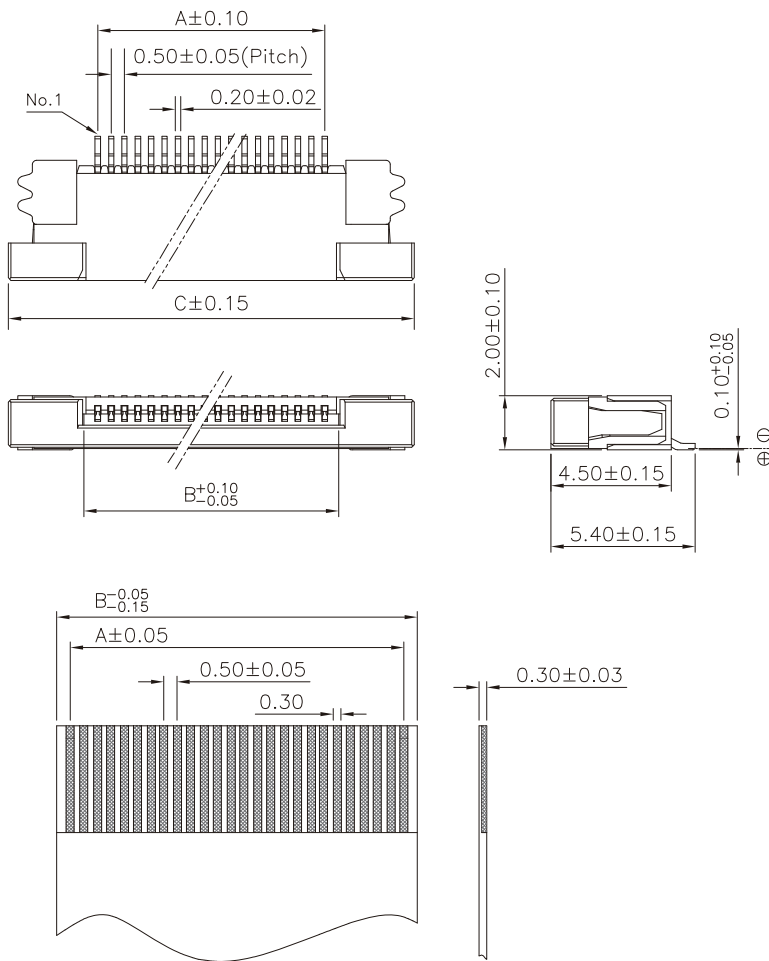
Standard Packing

: Box



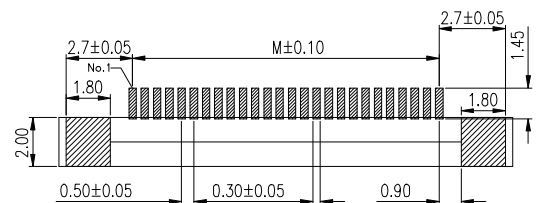
CFAD102-A030C

Current Rating: 0.5A
 Dielectric Withstanding Voltage: 500V/AC
 Contact Resistance: 30mΩ Max.
 Insulation Resistance: 500MΩ Min.
 Operating Temperature: -25°C to +85°C
 Insulation Material: UL 94V-0 Nylon 46



APPLICABLE FPC

No. Of PIN/ROW	Dimension Information			No. Of PIN/ROW	Dimension Information		
	A	B	C		A	B	C
04	1.50	2.60	8.20	33	16.00	17.10	22.70
05	2.00	3.10	8.70	34	16.50	17.60	23.20
06	2.50	3.60	9.20	35	17.00	18.10	23.70
07	3.00	4.10	9.70	36	17.50	18.60	24.20
08	3.50	4.60	10.20	37	18.00	19.10	24.70
09	4.00	5.10	10.70	38	18.50	19.60	25.20
10	4.50	5.60	11.20	39	19.00	20.10	25.70
11	5.00	6.10	11.70	40	19.50	20.60	26.20
12	5.50	6.60	12.20	41	20.00	21.10	26.70
13	6.00	7.10	12.70	42	20.50	21.60	27.20
14	6.50	7.60	13.20	43	21.00	22.10	27.70
15	7.00	8.10	13.70	44	21.50	22.60	28.20
16	7.50	8.60	14.20	45	22.00	23.10	28.70
17	8.00	9.10	14.70	46	22.50	23.60	29.20
18	8.50	9.60	15.20	47	23.00	24.10	29.70
19	9.00	10.10	15.70	48	23.50	24.60	30.20
20	9.50	10.60	16.20	49	24.00	25.10	30.70
21	10.00	11.10	16.70	50	24.50	25.60	31.20
22	10.50	11.60	17.20	51	25.00	26.10	31.70
23	11.00	12.10	17.70	52	25.50	26.60	32.20
24	11.50	12.60	18.20	53	26.00	27.10	32.70
25	12.00	13.10	18.70	54	26.50	27.60	33.20
26	12.50	13.60	19.20	55	27.00	28.10	33.70
27	13.00	14.10	19.70	56	27.50	28.60	34.20
28	13.50	14.60	20.20	57	28.00	29.10	34.70
29	14.00	15.10	20.70	58	28.50	29.60	35.20
30	14.50	15.60	21.20	59	29.00	30.10	35.70
31	15.00	16.10	21.70	60	29.50	30.60	36.20
32	15.50	16.60	22.20				



RECOMMENDED PCB LAYOUT

Ordering Information

CFAD102 -

No. of Pins per Row

Standard Plating

: Tin

Selective Plating

: Gold Flash

: Gold Flash/Tin

A030C

Color

: White

A

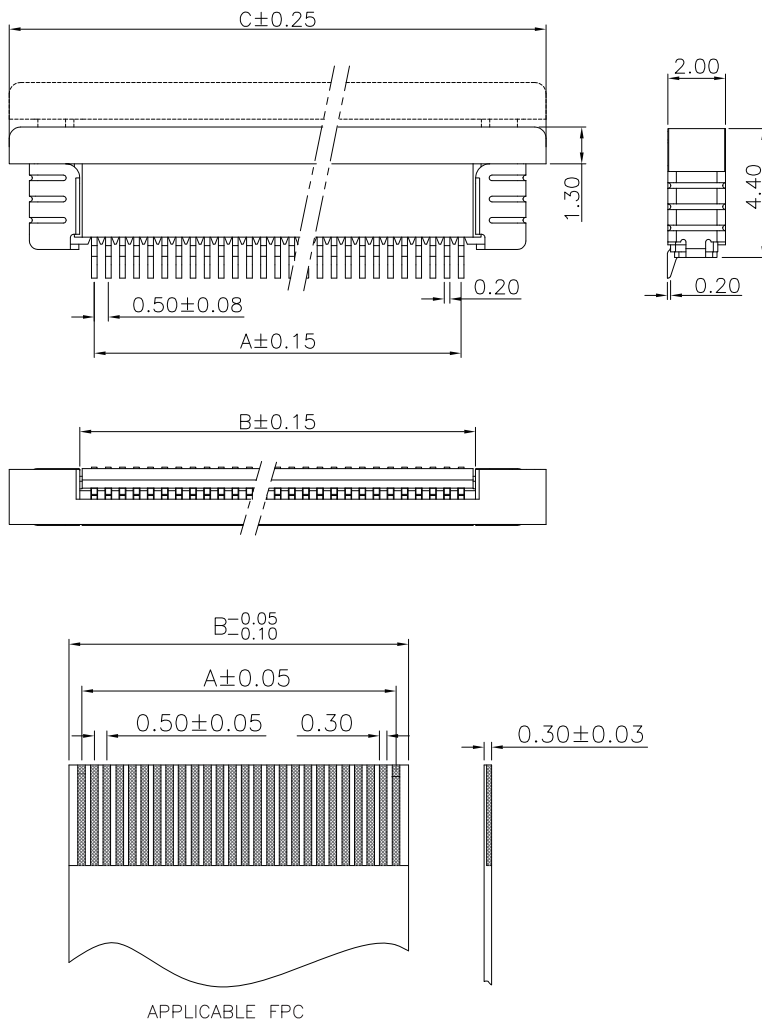
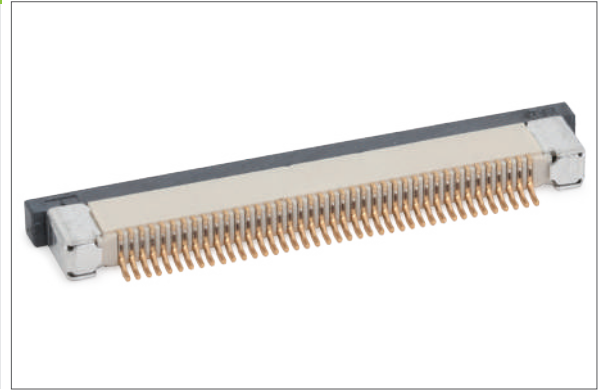
Standard Packing

: Tube

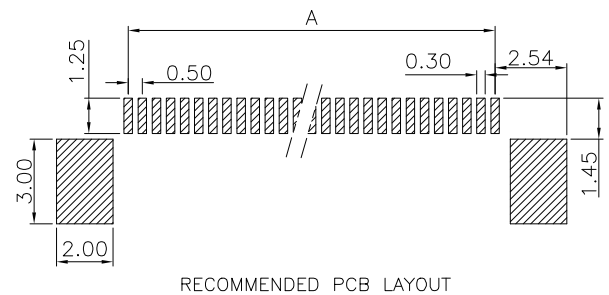


CFAD102-A034C

Current Rating: 0.5A
 Dielectric Withstanding Voltage: 500V/AC
 Contact Resistance: 40mΩ Max.
 Insulation Resistance: 500MΩ Min.
 Operating Temperature: -40°C to +85°C
 Insulation Material: UL 94V-0 LCP



No. of PIN/ROW	Dimension Information			No. of PIN/ROW	Dimension Information		
	A	B	C		A	B	C
04	1.50	2.60	7.65	33	16.00	17.10	22.15
05	2.00	3.10	8.15	34	16.50	17.60	22.65
06	2.50	3.60	8.65	35	17.00	18.10	23.15
07	3.00	4.10	9.15	36	17.50	18.60	23.65
08	3.50	4.60	9.65	37	18.00	19.10	24.15
09	4.00	5.10	10.15	38	18.50	19.60	24.65
10	4.50	5.60	10.65	39	19.00	20.10	25.15
11	5.00	6.10	11.15	40	19.50	20.60	25.65
12	5.50	6.60	11.65	41	20.00	21.10	26.15
13	6.00	7.10	12.15	42	20.50	21.60	26.65
14	6.50	7.60	12.65	43	21.00	22.10	27.15
15	7.00	8.10	13.15	44	21.50	22.60	27.65
16	7.50	8.60	13.65	45	22.00	23.10	28.15
17	8.00	9.10	14.15	46	22.50	23.60	28.65
18	8.50	9.60	14.65	47	23.00	24.10	29.15
19	9.00	10.10	15.15	48	23.50	24.60	29.65
20	9.50	10.60	15.65	49	24.00	25.10	30.15
21	10.00	11.10	16.15	50	24.50	25.60	30.65
22	10.50	11.60	16.65	51	25.00	26.10	31.15
23	11.00	12.10	17.15	52	25.50	26.60	31.65
24	11.50	12.60	17.65	53	26.00	27.10	32.15
25	12.00	13.10	18.15	54	26.50	27.60	32.65
26	12.50	13.60	18.65	55	27.00	28.10	33.15
27	13.00	14.10	19.15	56	27.50	28.60	33.65
28	13.50	14.60	19.65	57	28.00	29.10	34.15
29	14.00	15.10	20.15	58	28.50	29.60	34.65
30	14.50	15.60	20.65	59	29.00	30.10	35.15
31	15.00	16.10	21.15	60	29.50	30.60	35.65
32	15.50	16.60	21.65				



Ordering Information

CFAD102 - A034C A

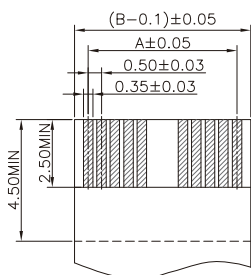
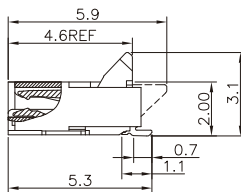
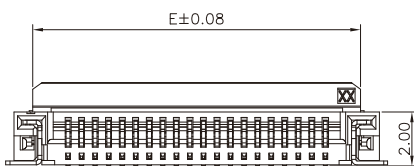
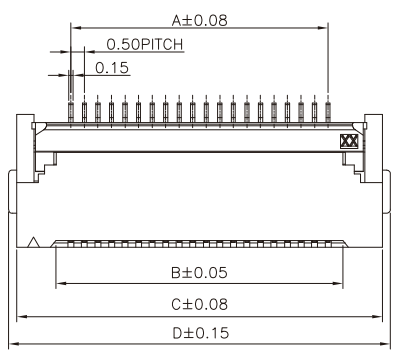
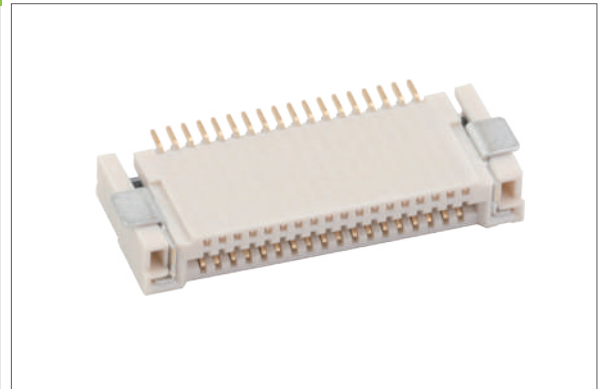
No. of Pins per Row: Standard Plating: Color: Standard Packing:

Selective Plating:



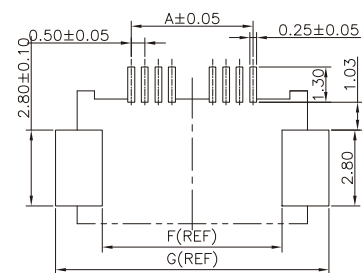
CFAD102-A043C

Current Rating: 0.5A
 Dielectric Withstanding Voltage: 500V/AC
 Contact Resistance: 50mΩ Max.
 Operating Temperature: -20°C to +85°C
 Insulation Material: UL 94V-0 LCP



APPLICABLE FPC/FFC

No. Of PIN/ROW	Dimension Information						
	A	B	C	D	E	F	G
04	1.50	2.60	5.50	6.10	4.10	3.90	7.10
05	2.00	3.10	6.00	6.60	4.60	4.40	7.60
06	2.50	3.60	6.50	7.10	5.10	4.90	8.10
08	3.50	4.60	7.50	8.10	6.10	5.90	9.10
09	4.00	5.10	8.00	8.60	6.60	6.40	9.60
10	4.50	5.60	8.50	9.10	7.10	6.90	10.10
12	5.50	6.60	9.50	10.10	8.10	7.90	11.10
14	6.50	7.60	10.50	11.10	9.10	8.90	12.10
16	7.50	8.60	11.50	12.10	10.10	9.90	13.10
18	8.50	9.60	12.50	13.10	11.10	10.90	14.10
20	9.50	10.60	13.50	14.10	12.10	11.90	15.10
22	10.50	11.60	14.50	15.10	13.10	12.90	16.10
24	11.50	12.60	15.50	16.10	14.10	13.90	17.10
26	12.50	13.60	16.50	17.10	15.10	14.90	18.10
28	13.50	14.60	17.50	18.10	16.10	15.90	19.10
30	14.50	15.60	18.50	19.10	17.10	16.90	20.10
32	15.50	16.60	19.50	20.10	18.10	17.90	21.10
34	16.50	17.60	20.50	21.10	19.10	18.90	22.10
36	17.50	18.60	21.50	22.10	20.10	19.90	23.10
38	18.50	19.60	22.50	23.10	21.10	20.90	24.10
40	19.50	20.60	23.50	24.10	22.10	21.90	25.10
42	20.50	21.60	24.50	25.10	23.10	22.90	26.10
45	22.00	23.10	26.00	26.60	24.60	24.40	27.60
50	24.50	25.60	28.50	29.10	27.10	26.90	30.10
54	26.50	27.60	30.50	31.10	29.10	28.90	32.10
56	27.50	28.60	31.50	32.10	30.10	29.90	33.10
58	28.50	29.60	32.50	33.10	31.10	30.90	34.10
60	29.50	30.60	33.50	34.10	32.10	31.90	35.10



RECOMMENDED PCB LAYOUT

Ordering Information

CFAD102 -

No. of Pins per Row

See Table

Standard Plating

: Gold Flash

Selective Plating

: Tin

A043C

Color

: Black

A

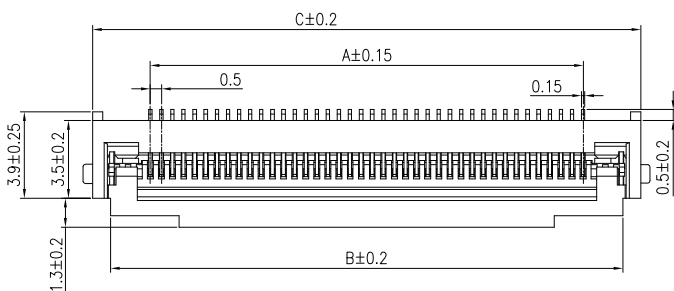
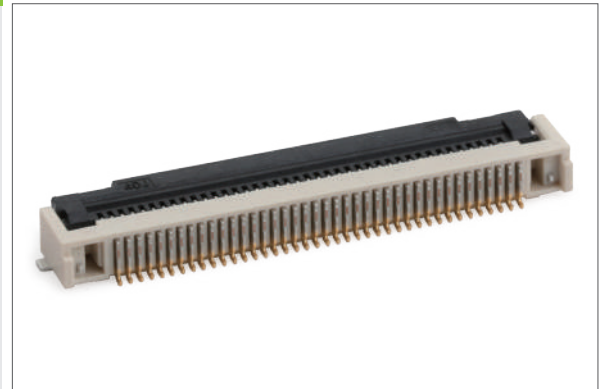
Standard Packing

: Tube

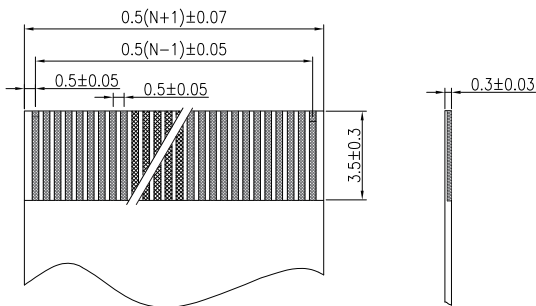
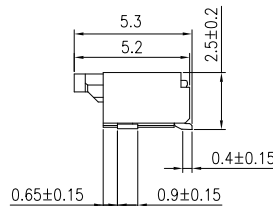
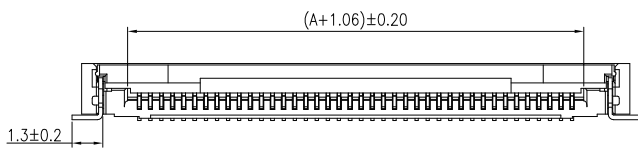


CFAD102-A051C

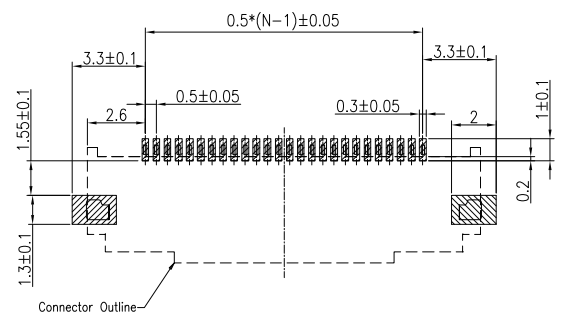
Current Rating: 0.5A
 Dielectric Withstanding Voltage: 125V/AC
 Contact Resistance: 35mΩ Max.
 Insulation Resistance: 500MΩ Min.
 Operating Temperature: -40°C to +85°C
 Insulation Material: UL 94V-0 LCP



No. Of PIN/ROW	Dimension Information		
	A	B	C
10	4.50	8.10	9.70
40	19.50	23.10	24.70
60	29.50	33.10	34.70
64	31.50	35.10	36.70
68	33.50	37.10	38.70
80	39.50	43.10	44.70



APPLICABLE FPC



RECOMMENDED PCB LAYOUT

Ordering Information

CFAD102 -

No. of Pins per Row

See Table

Standard Plating

: Tin

Selective Plating

: Gold Flash

A051C

Color

: Black

: White

A

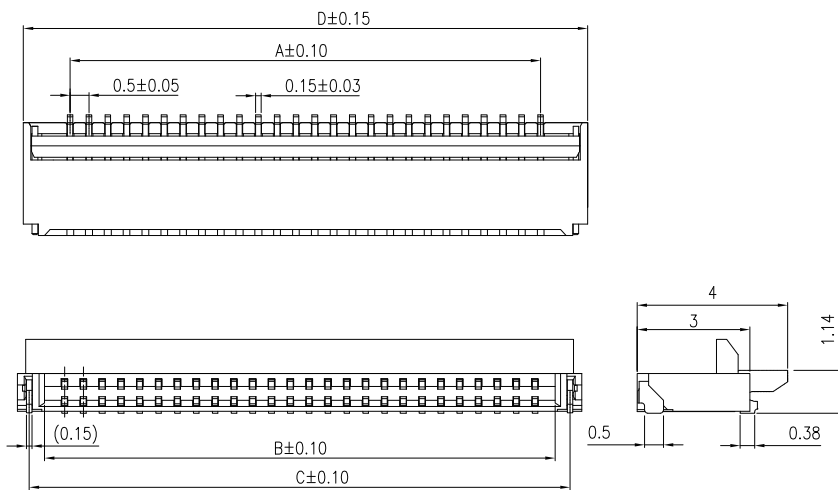
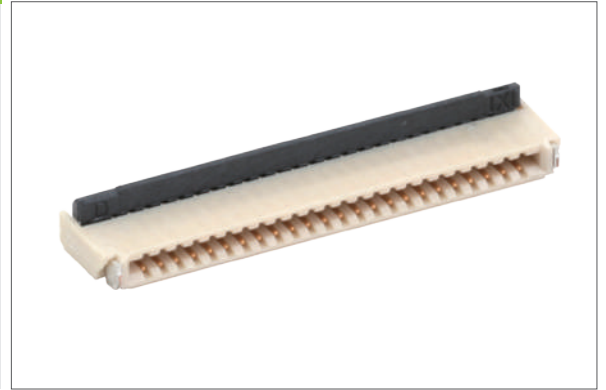
Standard Packing

: Tape&Reel

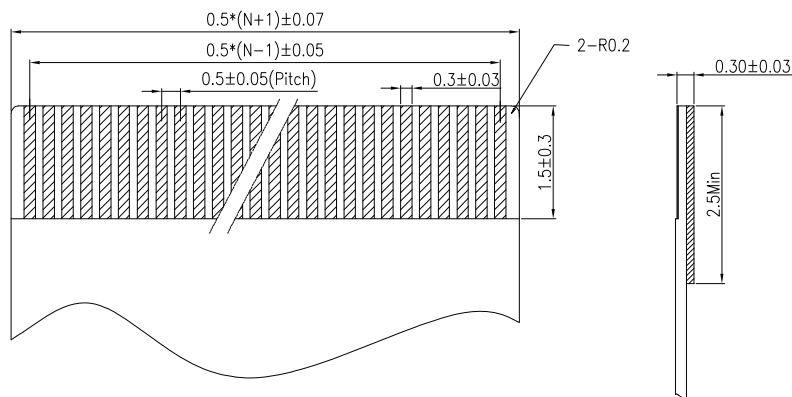


CFAD102-A052C

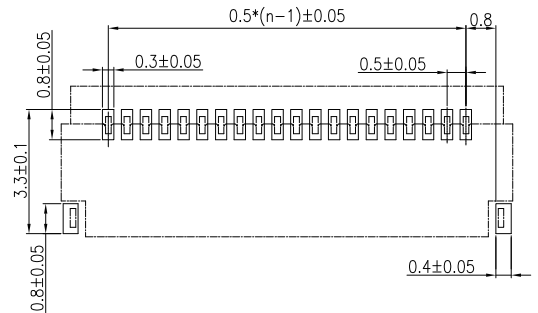
Current Rating: 0.5A
 Dielectric Withstanding Voltage: 500V/AC
 Contact Resistance: 40mΩ Max.
 Insulation Resistance: 500MΩ Min.
 Operating Temperature: -40°C to +85°C
 Insulation Material: UL 94V-0 LCP



No. Of PIN/ROW	Dimension Information			
	A	B	C	D
04	1.50	2.55	3.36	4.10
06	2.50	3.55	4.36	5.10
08	3.50	4.55	5.36	6.10
10	4.50	5.55	6.36	7.10
12	5.50	6.55	7.36	8.10
13	6.00	7.05	7.86	8.60
14	6.50	7.55	8.36	9.10
16	7.50	8.55	9.36	10.10
18	8.50	9.55	10.36	11.10
20	9.50	10.55	11.36	12.10
24	11.50	12.55	13.36	14.10
26	12.50	13.55	14.36	15.10
30	14.50	15.55	16.36	17.10
33	16.00	17.05	17.86	18.60



APPLICABLE FPC



RECOMMENDED PCB LAYOUT

Ordering Information

CFAD102 -

No. of Pins per Row

See Table

Standard Plating

09 : Gold 3U"

Selective Plating

02 : Gold Flash

A052C

Color

1 : Black

2 : White

A

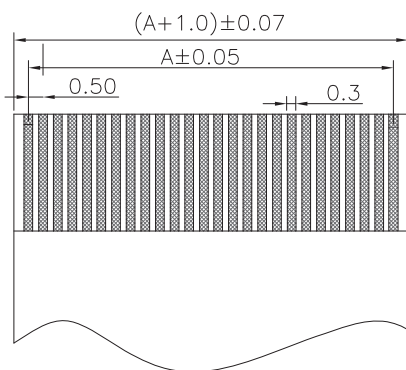
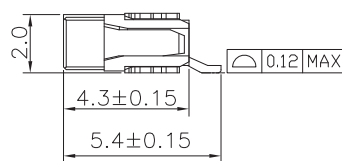
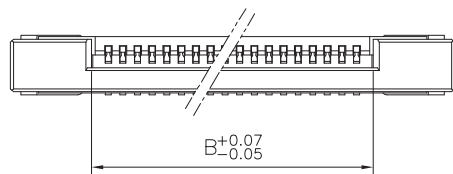
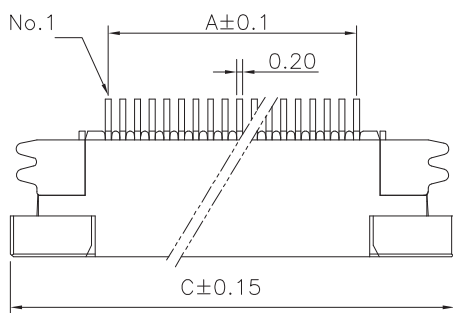
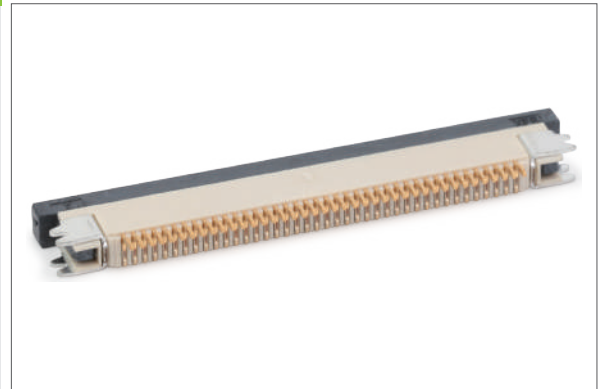
Standard Packing

D : Tape&Reel

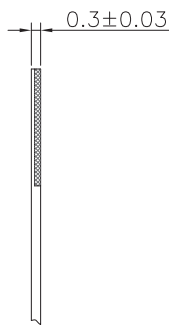


CFAD102-A053C

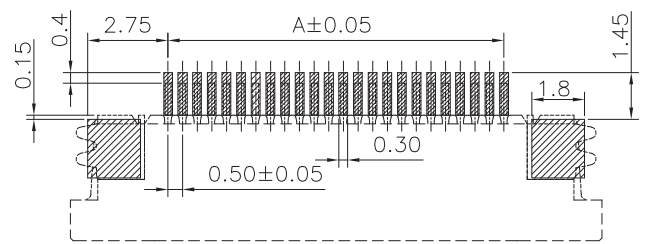
Current Rating: 0.5A
 Dielectric Withstanding Voltage: 500V/AC
 Contact Resistance: 30mΩ Max.
 Insulation Resistance: 500MΩ Min.
 Operating Temperature: -25°C to +85°C
 Insulation Material: UL 94V-0 LCP



APPLICABLE FPC



No. of PIN/ROW	Dimension Information			No. of PIN/ROW	Dimension Information		
	A	B	C		A	B	C
04	1.50	2.56	8.20	33	16.00	17.06	22.70
05	2.00	3.06	8.70	34	16.50	17.56	23.20
06	2.50	3.56	9.20	35	17.00	18.06	23.70
07	3.00	4.06	9.70	36	17.50	18.56	24.20
08	3.50	4.56	10.20	37	18.00	19.06	24.70
09	4.00	5.06	10.70	38	18.50	19.56	25.20
10	4.50	5.56	11.20	39	19.00	20.06	25.70
11	5.00	6.06	11.70	40	19.50	20.56	26.20
12	5.50	6.56	12.20	41	20.00	21.06	26.70
13	6.00	7.06	12.70	42	20.50	21.56	27.20
14	6.50	7.56	13.20	43	21.00	22.06	27.70
15	7.00	8.06	13.70	44	21.50	22.56	28.20
16	7.50	8.56	14.20	45	22.00	23.06	28.70
17	8.00	9.06	14.70	46	22.50	23.56	29.20
18	8.50	9.56	15.20	47	23.00	24.06	29.70
19	9.00	10.06	15.70	48	23.50	24.56	30.20
20	9.50	10.56	16.20	49	24.00	25.06	30.70
21	10.00	11.06	16.70	50	24.50	25.56	31.20
22	10.50	11.56	17.20	51	25.00	26.06	31.70
23	11.00	12.06	17.70	52	25.50	26.56	32.20
24	11.50	12.56	18.20	53	26.00	27.06	32.70
25	12.00	13.06	18.70	54	26.50	27.56	33.20
26	12.50	13.56	19.20	55	27.00	28.06	33.70
27	13.00	14.06	19.70	56	27.50	28.56	34.20
28	13.50	14.56	20.20	57	28.00	29.06	34.70
29	14.00	15.06	20.70	58	28.50	29.56	35.20
30	14.50	15.56	21.20	59	29.00	30.06	35.70
31	15.00	16.06	21.70	60	29.50	30.56	36.20
32	15.50	16.56	22.20				



RECOMMENDED PCB LAYOUT

Ordering Information

CFAD102 -

No. of Pins per Row

04 - 60

Standard Plating

01 : Tin

A053C

Color

2 : White

A

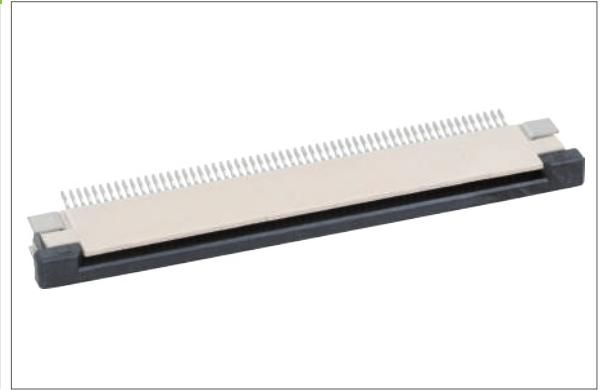
Standard Packing

D : Tape&Reel

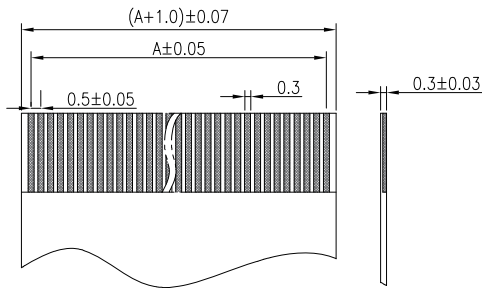
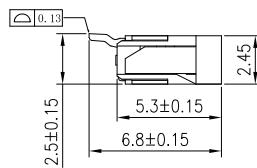
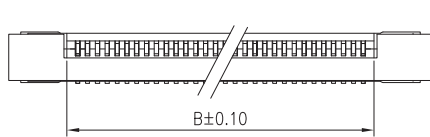
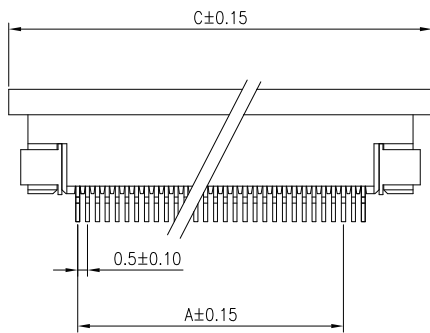


CFAD102-A054C

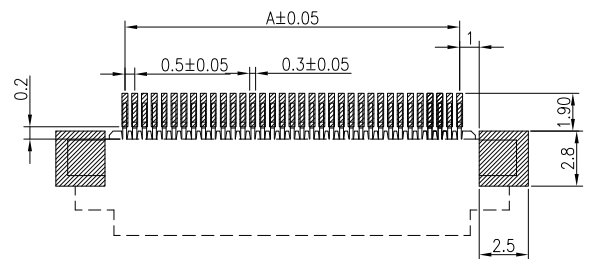
Current Rating: 0.5A
 Dielectric Withstanding Voltage: 500V/AC
 Contact Resistance: 30mΩ Max.
 Insulation Resistance: 500MΩ Min.
 Operating Temperature: -25°C to +85°C
 Insulation Material: UL 94V-0 LCP



No. Of PIN/ROW	Dimension Information		
	A	B	C
40	19.5	20.56	26.5
45	22	23.06	29
50	24.5	25.56	31.5
60	29.5	30.56	36.5



APPLICABLE FPC



RECOMMENDED PCB LAYOUT

Ordering Information

CFAD102 -

No. of Pins per Row

[See Table](#)

Standard Plating

: Gold Flash

Selective Plating

: Tin

A054C

Color

: Black

: White

A

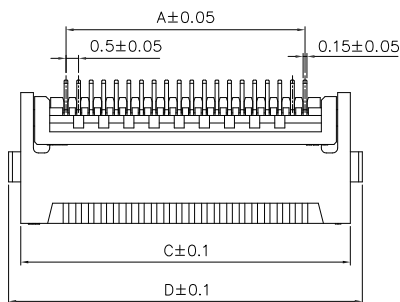
Standard Packing

: Tape&Reel

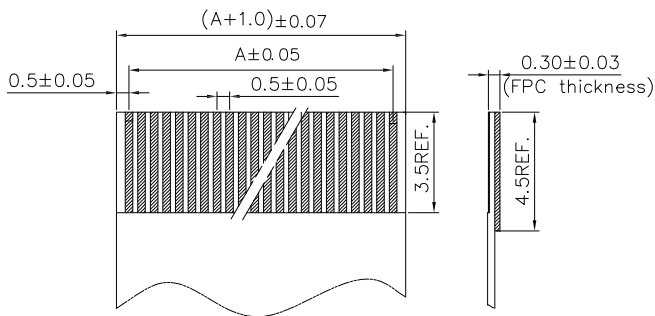
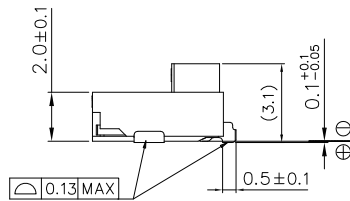
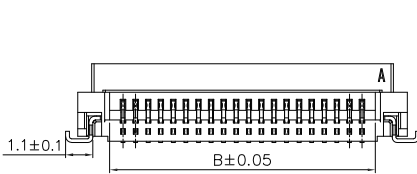


CFAD103-A001C

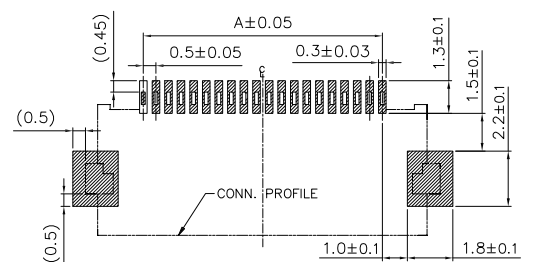
Current Rating: 0.5A
 Dielectric Withstanding Voltage: 500V/AC
 Contact Resistance: 30mΩ Max.
 Insulation Resistance: 500MΩ Min.
 Operating Temperature: -40°C to +105°C
 Insulation Material: UL 94V-0 LCP



No. of PIN/ROW	Dimension Information			
	A	B	C	D
08	3.5	4.56	7.1	8.1
10	4.5	5.56	8.1	9.1
12	5.5	6.56	9.1	10.1
14	6.5	7.56	10.1	11.1
24	11.5	12.56	15.1	16.1
30	14.5	15.56	18.1	19.1
40	19.5	20.56	23.1	24.1
50	24.5	25.56	28.1	29.1
60	29.5	30.56	33.1	34.1



APPLICABLE FPC



RECOMMENDED PCB LAYOUT

Ordering Information

CFAD103 -

No. of Pins per Row

See Table

Standard Plating

: Gold Flash

Selective Plating

: Gold Flash/Tin

A001C

Color

: White

A

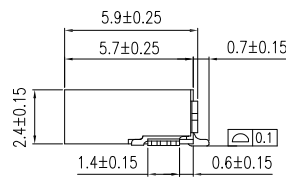
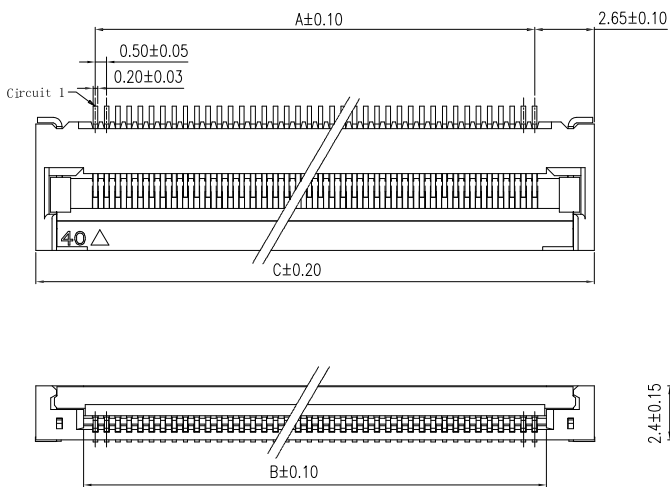
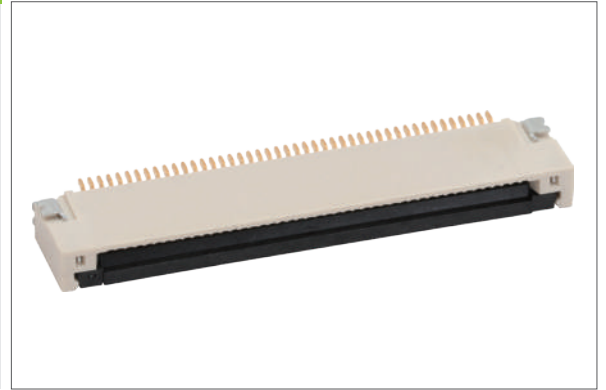
Standard Packing

: Tape&Reel

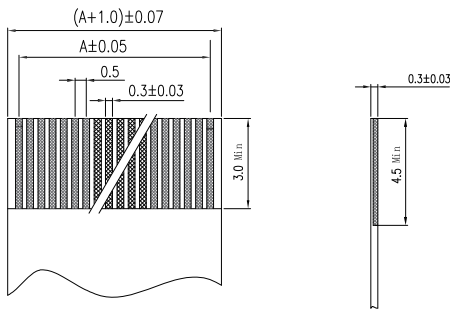


CFAD109-A006C

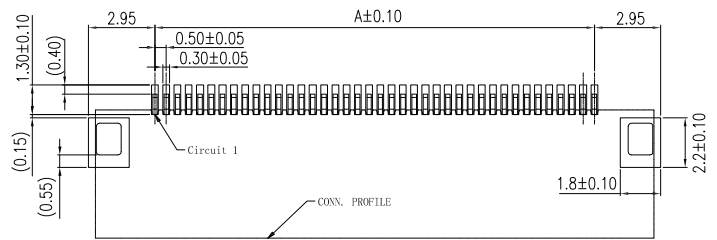
Current Rating: 0.5A
 Dielectric Withstanding Voltage: 500V/AC
 Contact Resistance: 30mΩ Max.
 Insulation Resistance: 500MΩ Min.
 Operating Temperature: -25°C to +85°C
 Insulation Material: UL 94V-0 LCP



No. Of PIN/ROW	A	B	C
05	2	3.06	7.3
06	2.5	3.56	7.8
08	3.5	4.56	8.8
10	4.5	5.56	9.8
12	5.5	6.56	10.8
14	6.5	7.56	11.8
15	7	8.06	12.3
18	8.5	9.56	13.8
20	9.5	10.56	14.8
22	10.5	11.56	15.8
24	11.5	12.56	16.8
26	12.5	13.56	17.8
30	14.5	15.56	19.8
36	17.5	18.56	22.8
40	19.5	20.56	24.8
45	22	23.06	27.3
50	24.5	25.56	29.8
55	27	28.06	32.3
60	29.5	30.56	34.8
70	34.5	35.56	39.8



APPLICABLE FPC



RECOMMENDED PCB LAYOUT

Ordering Information

CFAD109 -

No. of Pins per Row

See Table

Standard Plating

: Gold Flash

Selective Plating

: Gold 3U"

A006C

Color

: White

A

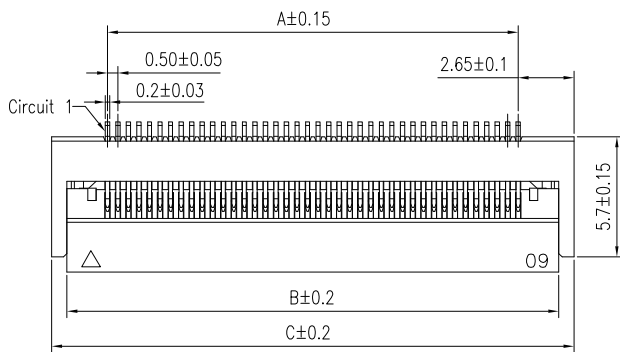
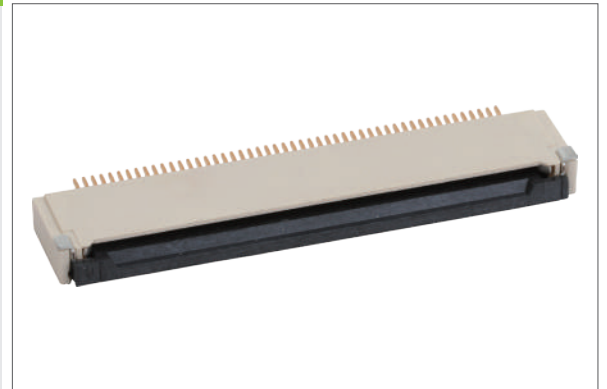
Standard Packing

: Tape&Reel

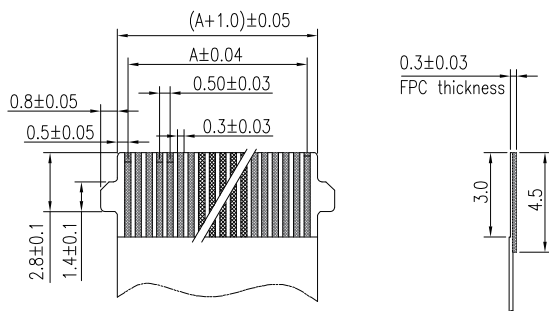
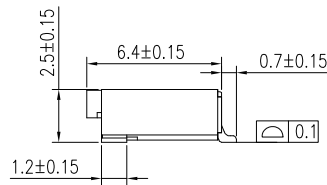


CFAD109-A011C

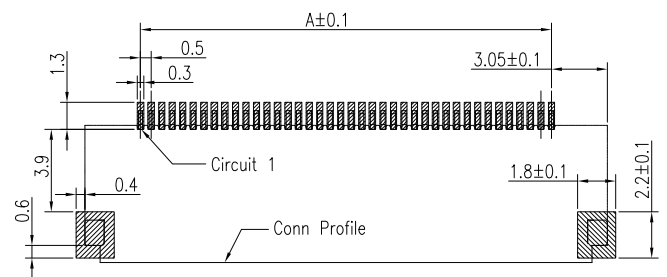
Current Rating: 0.5A
 Dielectric Withstanding Voltage: 500V/AC
 Contact Resistance: 30mΩ Max.
 Insulation Resistance: 500MΩ Min.
 Operating Temperature: -40°C to +105°C
 Insulation Material: UL 94V-0 LCP



No. of PIN/ROW	Dimension Information			
	A	B	C	D
09	4.00	7.85	9.30	5.05
20	9.50	13.35	14.80	10.55
26	12.50	16.35	17.80	13.55
30	14.50	18.35	19.80	15.55
40	19.50	23.35	24.80	20.55
41	20.00	23.85	25.30	21.05
50	24.50	28.35	29.80	25.55
51	25.00	28.85	30.30	26.05
60	29.50	33.35	34.80	30.55
68	33.50	37.35	38.80	34.55



APPLICABLE FPC



RECOMMENDED PCB LAYOUT

Ordering Information

CFAD109 -

No. of Pins per Row

See Table

Standard Plating

: Gold 3U"

Selective Plating

: Gold Flash

A011C

Color

: White

S

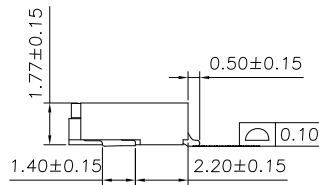
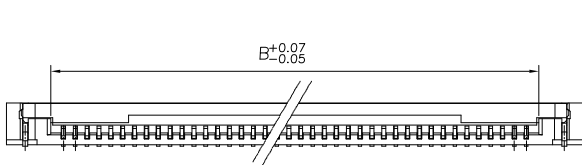
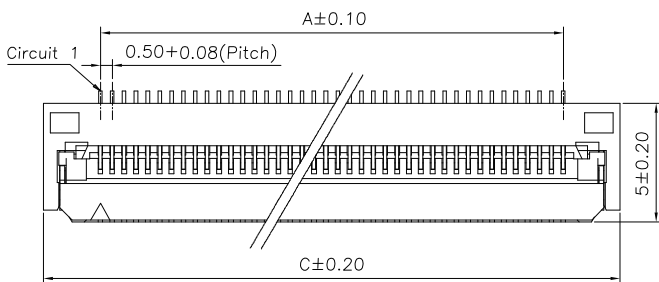
Standard Packing

: Tape&Reel

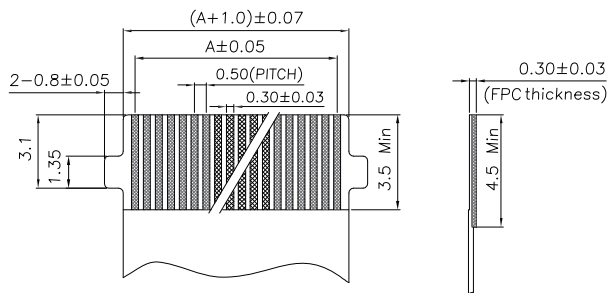


CFAD152-A004C

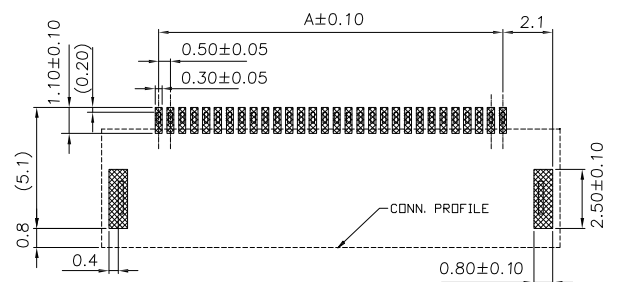
Current Rating: 0.5A
 Dielectric Withstanding Voltage: 500V/AC
 Contact Resistance: 30mΩ Max.
 Insulation Resistance: 500MΩ Min.
 Operating Temperature: -25°C to +85°C
 Insulation Material: UL 94V-0 LCP



No. of Pins/Row	Dimension Information		
	A	B	C
04	1.50	2.56	6.30
06	2.50	3.56	7.30
08	3.50	4.56	8.30
10	4.50	5.56	9.30
12	5.50	6.56	10.30
14	6.50	7.56	11.30
15	7.00	8.06	11.80
18	8.50	9.56	13.30
20	9.50	10.56	14.30
30	14.50	15.56	19.30
50	24.50	25.56	29.30
60	29.50	30.56	34.30



APPLICABLE FPC



RECOMMENDED PCB LAYOUT

Ordering Information

CFAD152 -

No. of Pins per Row

See Table

Standard Plating

: Gold Flash

Selective Plating

: Gold Flash/Tin

A004C

Color

: White

S

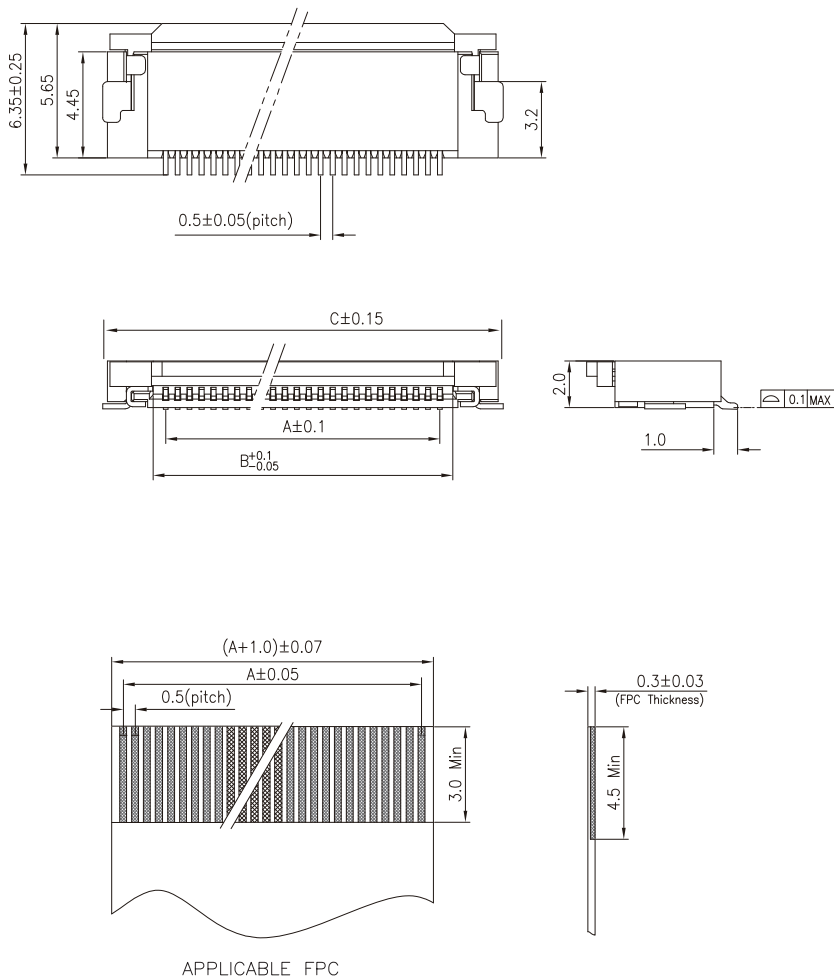
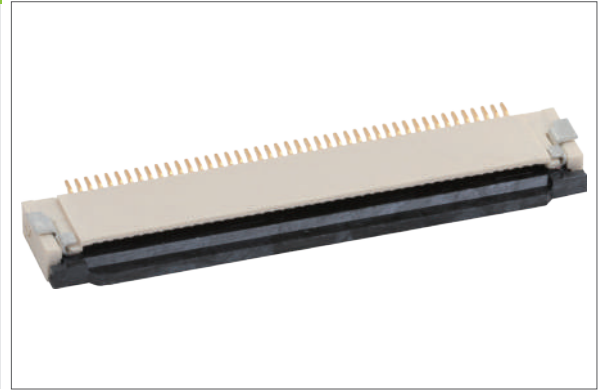
Standard Packing

: Tape&Reel

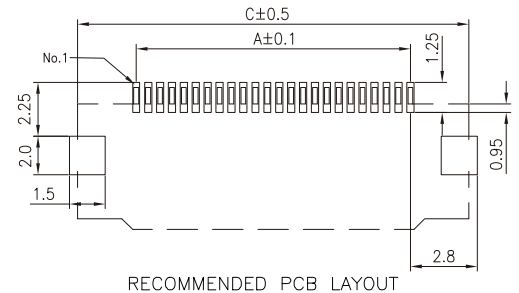


CFAD153-A001C

Dielectric Withstanding Voltage: 500V/AC
 Contact Resistance: 30mΩ Max.
 Insulation Resistance: 500MΩ Min.
 Operating Temperature: -25°C to +105°C
 Insulation Material: UL 94V-0 LCP



No. of PIN/ROW	Dimension Information			No. of PIN/ROW	Dimension Information		
	A	B	C		A	B	C
04	1.50	2.56	6.40	34	16.50	17.56	21.40
05	2.00	3.06	6.90	35	17.00	18.06	21.90
06	2.50	3.56	7.40	36	17.50	18.56	22.40
07	3.00	4.06	7.90	37	18.00	19.06	22.90
08	3.50	4.56	8.40	38	18.50	19.56	23.40
09	4.00	5.06	8.90	39	19.00	20.06	23.90
10	4.50	5.56	9.40	40	19.50	20.56	24.40
11	5.00	6.06	9.90	41	20.00	21.06	24.90
12	5.50	6.56	10.40	42	20.50	21.56	25.40
13	6.00	7.06	10.90	43	21.00	22.06	25.90
14	6.50	7.56	11.40	44	21.50	22.56	26.40
15	7.00	8.06	11.90	45	22.00	23.06	26.90
16	7.50	8.56	12.40	46	22.50	23.56	27.40
17	8.00	9.06	12.90	47	23.00	24.06	27.90
18	8.50	9.56	13.40	48	23.50	24.56	28.40
19	9.00	10.06	13.90	49	24.00	25.06	28.90
20	9.50	10.56	14.40	50	24.50	25.56	29.40
21	10.00	11.06	14.90	51	25.00	26.06	29.90
22	10.50	11.56	15.40	52	25.50	26.56	30.40
23	11.00	12.06	15.90	53	26.00	27.06	30.90
24	11.50	12.56	16.40	54	26.50	27.56	31.40
25	12.00	13.06	16.90	55	27.00	28.06	31.90
26	12.50	13.56	17.40	56	27.50	28.56	32.40
27	13.00	14.06	17.90	57	28.00	29.06	32.90
28	13.50	14.56	18.40	58	28.50	29.56	33.40
29	14.00	15.06	18.90	60	29.50	30.56	34.40
30	14.50	15.56	19.40	64	31.50	32.56	36.40
31	15.00	16.06	19.90	68	33.50	34.56	38.40
32	15.50	16.56	20.40	80	39.50	40.56	44.40
33	16.00	17.06	20.90				



Ordering Information

CFAD153 -

No. of Pins per Row

See Table

Standard Plating

: Gold Flash

Selective Plating

: Tin

A001C

Color

: Black

: White

A

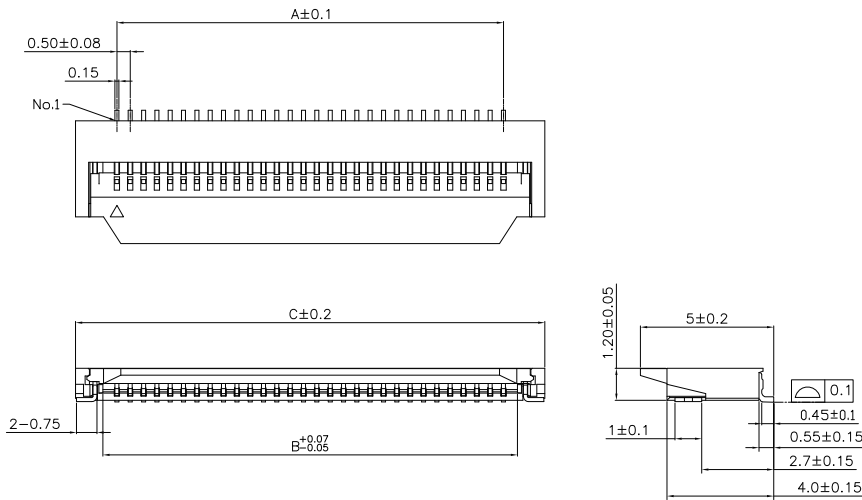
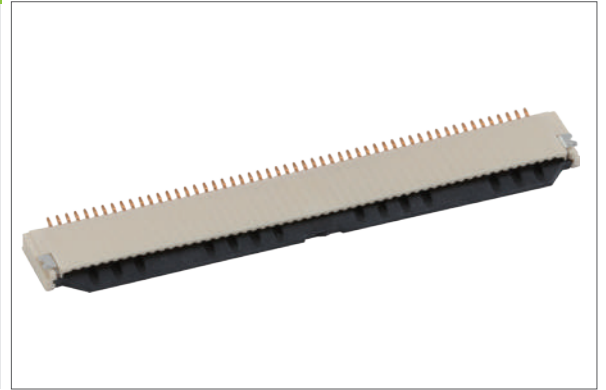
Standard Packing

: Tube

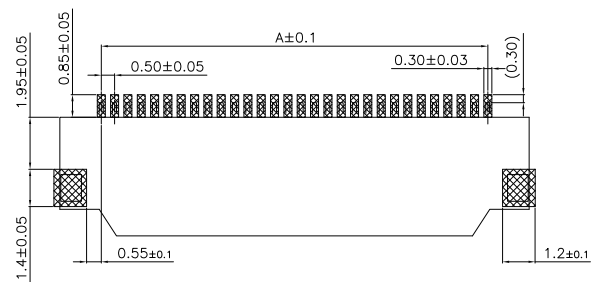
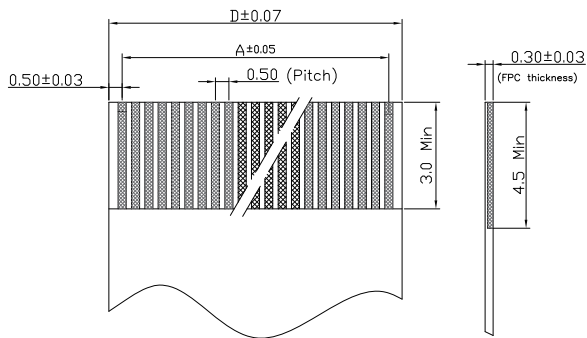


CFAD153-A002C

Dielectric Withstanding Voltage: 500V/AC
 Contact Resistance: 30mΩ Max.
 Insulation Resistance: 500MΩ Min.
 Operating Temperature: -25°C to +85°C
 Insulation Material: UL 94V-0 LCP



No. of PIN/ROW	Dimension Information			
	A	B	C	D
04	1.50	2.56	4.60	2.50
06	2.50	3.56	5.60	3.50
08	3.50	4.56	6.60	4.50
16	7.50	8.56	10.60	8.50
24	11.50	12.56	14.60	12.50
28	13.50	14.56	16.60	14.50
30	14.50	15.56	17.60	15.50
33	16.00	17.06	19.10	17.00
40	19.50	20.56	22.60	20.50
50	24.50	25.56	27.60	25.50
54	26.50	27.56	29.60	27.50



RECOMMENDED PCB LAYOUT

Ordering Information

CFAD153 -

No. of Pins per Row

See Table

Standard Plating

: Gold 2U"

A002C

Color

: White

A

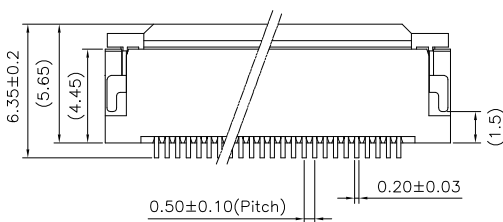
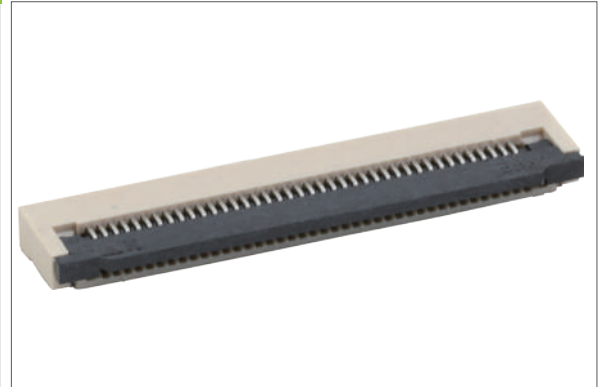
Standard Packing

: Tube

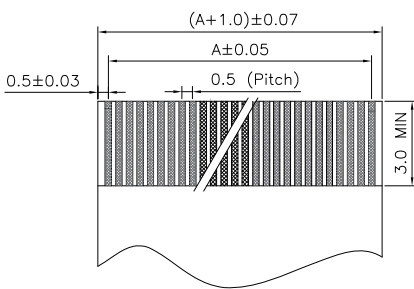
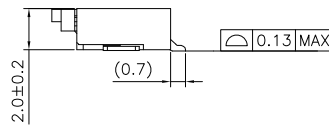
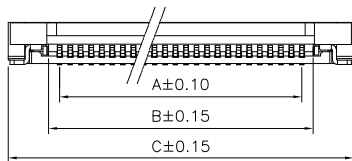


CFAD153-A003C

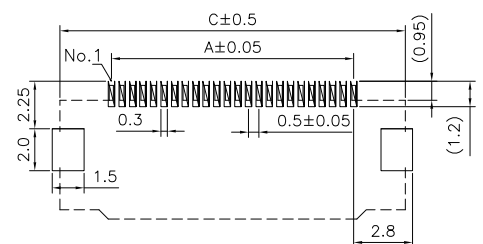
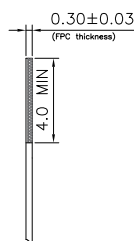
Current Rating: 0.5A
 Dielectric Withstanding Voltage: 500V/AC
 Contact Resistance: 30mΩ Max.
 Insulation Resistance: 500MΩ Min.
 Operating Temperature: -25°C to +85°C
 Insulation Material: UL 94V-0 LCP



No. of PIN/ROW	Dimension Information		
	A	B	C
18	8.5	9.56	13.4
24	11.5	12.56	16.4
30	14.5	15.56	19.4
40	19.5	20.56	24.4
51	25	26.06	29.9
60	29.5	30.56	34.4
64	31.5	32.56	36.4
68	33.5	34.56	38.4
80	39.5	40.56	44.4



APPLICABLE FPC



RECOMMENDED PCB LAYOUT

Ordering Information

CFAD153 -

No. of Pins per Row

Standard Plating

: Gold Flash

Selective Plating

: Tin

A003C

Color

: Black

: White

A

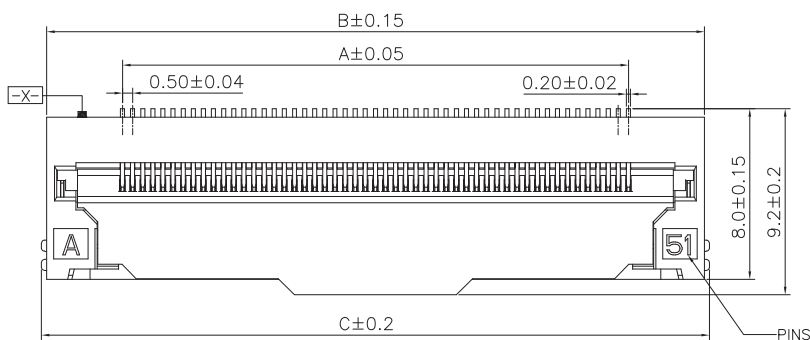
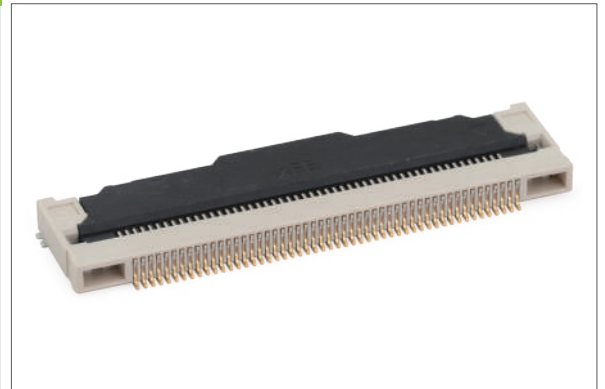
Standard Packing

: Tape&Reel

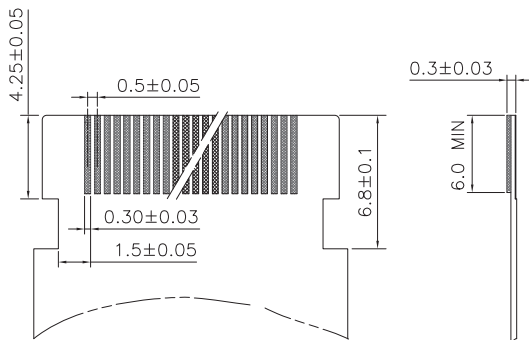
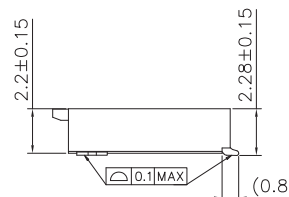
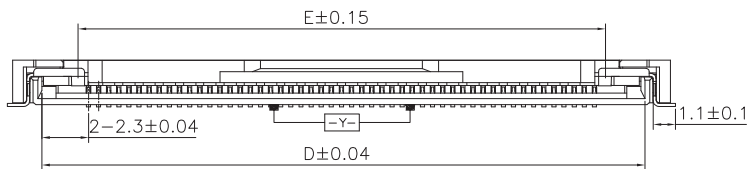


CFAD160-A001C

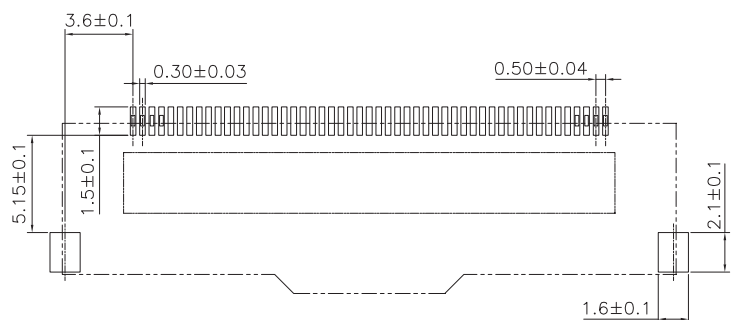
Current Rating: 0.5A
 Dielectric Withstanding Voltage: 500V/AC
 Contact Resistance: 30mΩ Max.
 Insulation Resistance: 100MΩ Min.
 Operating Temperature: -40°C to +105°C
 Insulation Material: UL 94V-0 LCP



No. of Pins/Row	Dimension Information				
	A	B	C	D	E
45	23.00	22.00	25.00	26.55	22.00
51	26.00	25.00	28.00	29.55	25.00



APPLICABLE FPC



RECOMMENDED PCB LAYOUT

Ordering Information

CFAD160 -

No. of Pins per Row

See Table

Standard Plating

: Gold Flash

Selective Plating

: Gold 3U"

A001C

Color

: White

S

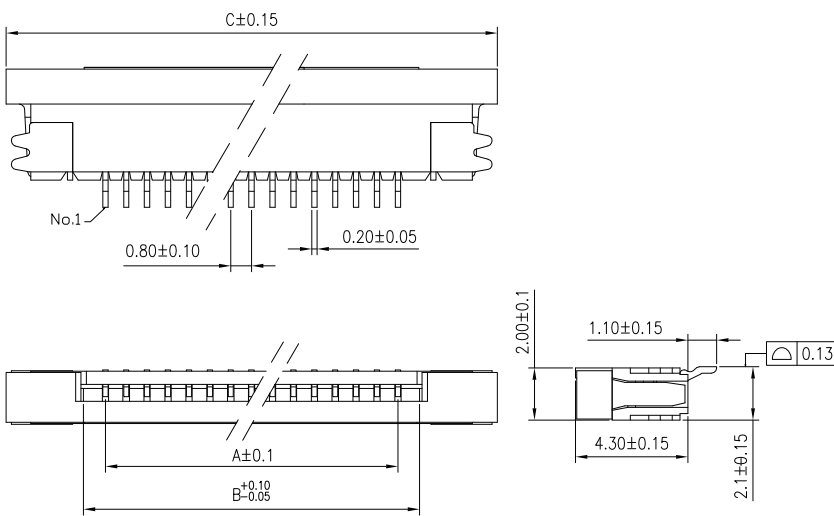
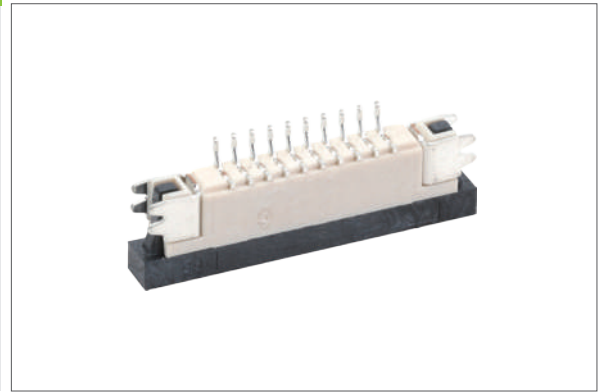
Standard Packing

: Tape&Reel

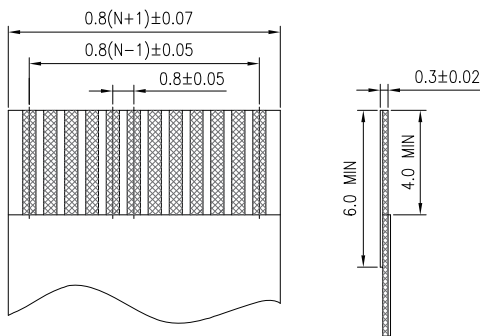


CFBD103-A001C

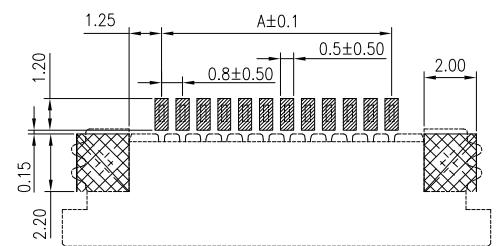
Current Rating: 0.5A
 Dielectric Withstanding Voltage: 500V/AC
 Contact Resistance: 30mΩ Max.
 Insulation Resistance: 500MΩ Min.
 Operating Temperature: -25°C to +85°C
 Insulation Material: UL 94V-0 LCP



No. of Pins/Row	Dimension Information			No. of Pins/Row	Dimension Information		
	A	B	C		A	B	C
04	2.40	4.06	10.00	23	17.60	19.26	25.20
05	3.20	4.86	10.80	24	18.40	20.06	26.00
06	4.00	5.66	11.60	25	19.20	20.86	26.80
07	4.80	6.46	12.40	26	20.00	21.66	27.60
08	5.60	7.26	13.20	27	20.80	22.46	28.40
09	6.40	8.06	14.00	28	21.60	23.26	29.20
10	7.20	8.86	14.80	29	22.40	24.06	30.00
11	8.00	9.66	15.60	30	23.20	24.86	30.80
12	8.80	10.46	16.40	31	24.00	25.66	31.60
13	9.60	11.26	17.20	32	24.80	26.46	32.40
14	10.40	12.06	18.00	33	25.60	27.26	33.20
15	11.20	12.86	18.80	34	26.40	28.06	34.00
16	12.00	13.66	19.60	35	27.20	28.86	34.80
17	12.80	14.46	20.40	36	28.00	29.66	35.60
18	13.60	15.26	21.20	37	28.80	30.46	36.40
19	14.40	16.06	22.00	38	29.60	31.26	37.20
20	15.20	16.86	22.80	39	30.40	32.06	38.00
21	16.00	17.66	23.60	40	31.20	32.86	38.80
22	16.80	18.46	24.40				



APPLICABLE FPC



RECOMMENDED PCB LAYOUT

Ordering Information

CFBD103 -

No. of Pins per Row

Standard Plating

: Gold Flash

Selective Plating

: Tin

A001C

Color

: Black

: White

A

Standard Packing

: Tape&Reel

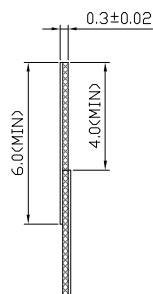
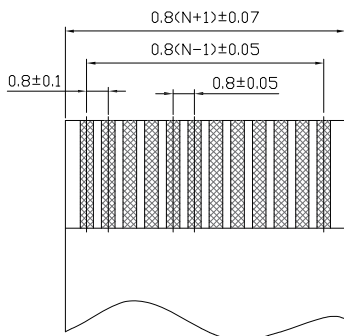
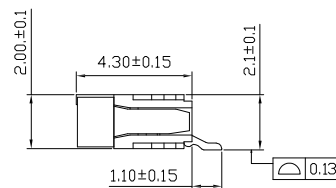
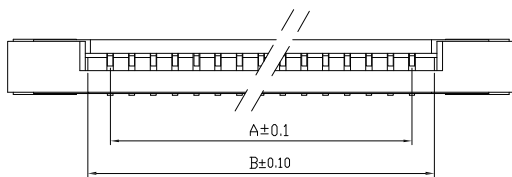
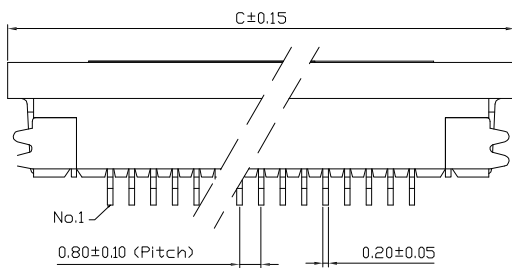


CFBD103-A002C

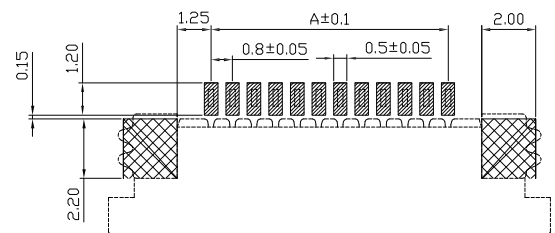
Current Rating: 0.5A
 Dielectric Withstanding Voltage: 500V/AC
 Contact Resistance: 30mΩ Max.
 Insulation Resistance: 500MΩ Min.
 Operating Temperature: -25°C to +85°C
 Insulation Material: UL 94V-0 LCP



No. Of PIN/ROW	Dimension Information		
	A	B	C
05	3.2	4.86	10.8
07	4.8	6.46	12.4
08	5.6	7.26	13.2
10	7.2	8.86	14.8



APPLICABLE FPC



RECOMMENDED PCB LAYOUT

Ordering Information

CFBD103 -

No. of Pins per Row

See Table

Standard Plating

: Gold Flash

Selective Plating

: Tin

A002C

Color

: Black

: White

A

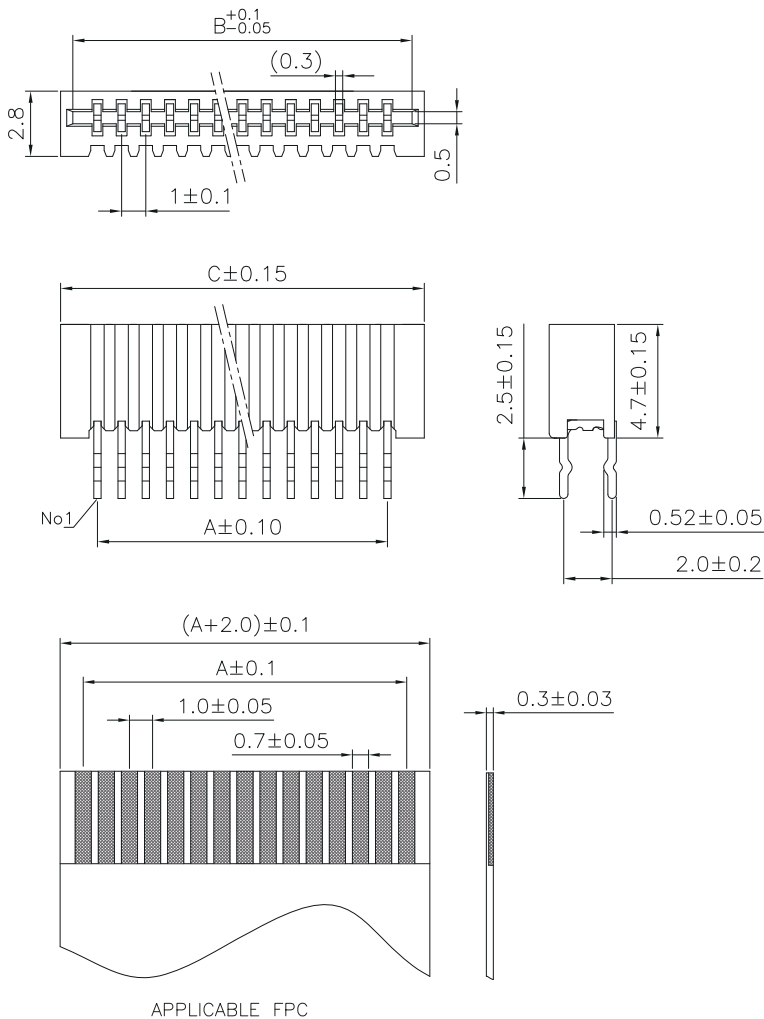
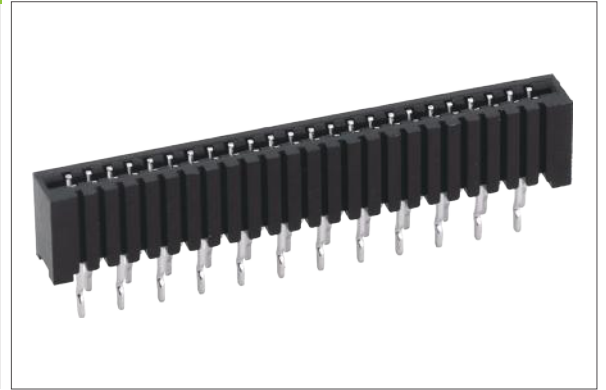
Standard Packing

: Tape&Reel

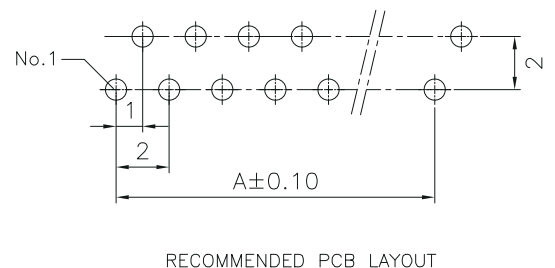


CFCA102-A001F

Dielectric Withstanding Voltage: 500V/AC
 Contact Resistance: 30mΩ Max.
 Insulation Resistance: 500MΩ Min.
 Operating Temperature: -25°C to +85°C
 Insulation Material: UL 94V-0 Nylon 46



No. of PIN/ROW	Dimension Information			No. of PIN/ROW	Dimension Information		
	A	B	C		A	B	C
04	3.00	5.06	6.00	23	22.00	24.06	25.00
05	4.00	6.06	7.00	24	23.00	25.06	26.00
06	5.00	7.06	8.00	25	24.00	26.06	27.00
07	6.00	8.06	9.00	26	25.00	27.06	28.00
08	7.00	9.06	10.00	27	26.00	28.06	29.00
09	8.00	10.06	11.00	28	27.00	29.06	30.00
10	9.00	11.06	12.00	29	28.00	30.06	31.00
11	10.00	12.06	13.00	30	29.00	31.06	32.00
12	11.00	13.06	14.00	31	30.00	32.06	33.00
13	12.00	14.06	15.00	32	31.00	33.06	34.00
14	13.00	15.06	16.00	33	32.00	34.06	35.00
15	14.00	16.06	17.00	34	33.00	35.06	36.00
16	15.00	17.06	18.00	35	34.00	36.06	37.00
17	16.00	18.06	19.00	36	35.00	37.06	38.00
18	17.00	19.06	20.00	37	36.00	38.06	39.00
19	18.00	20.06	21.00	38	37.00	39.06	40.00
20	19.00	21.06	22.00	39	38.00	40.06	41.00
21	20.00	22.06	23.00	40	39.00	41.06	42.00
22	21.00	23.06	24.00				



Ordering Information

CFCA102 -

No. of Pins per Row

See Table

Standard Plating

: Tin

A001F

Color

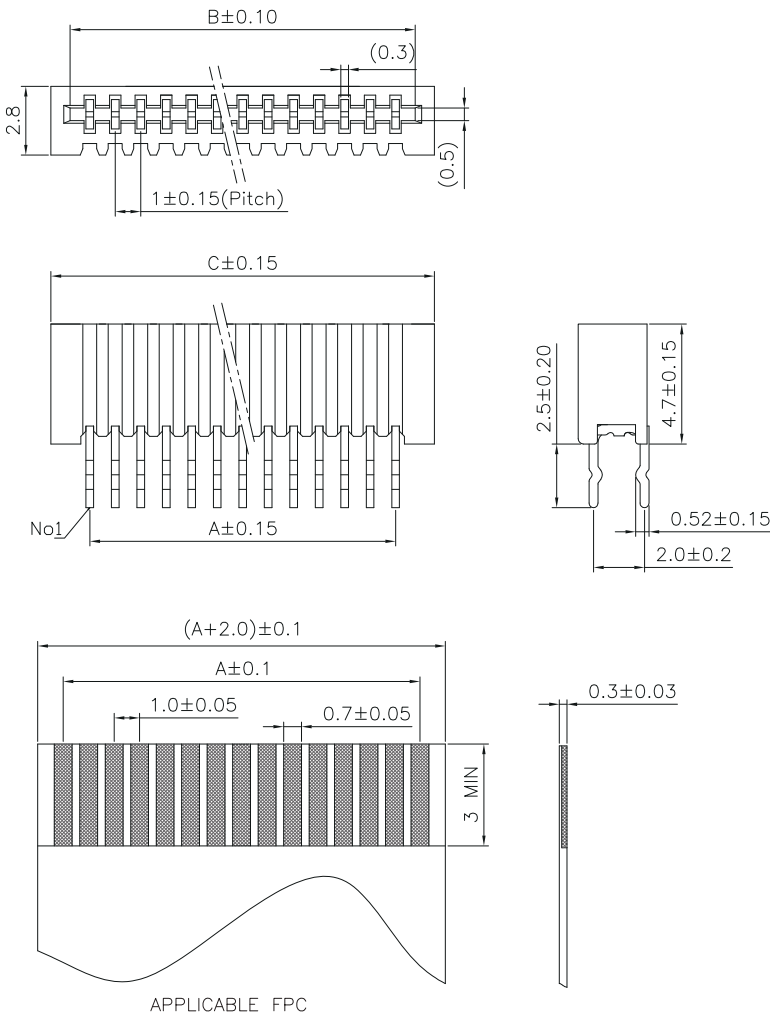
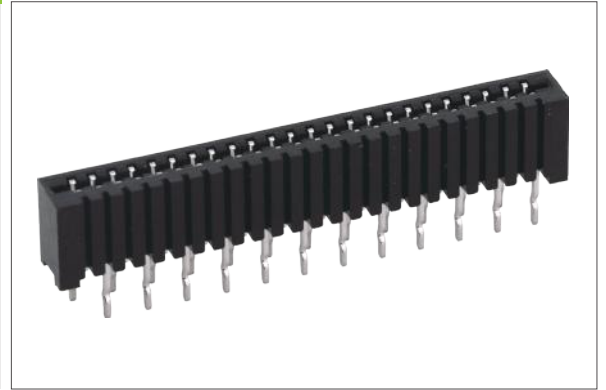
: Black

S



CFCA102-A032D

Current Rating: 1.0A
 Dielectric Withstanding Voltage: 500V/AC
 Contact Resistance: 30mΩ Max.
 Insulation Resistance: 500MΩ Min.
 Operating Temperature: -25°C to +85°C
 Insulation Material: UL 94V-0 PA9T



No. of PIN/ROW	Dimension Information			No. of PIN/ROW	Dimension Information		
	A	B	C		A	B	C
04	3.00	5.06	6.00	23	22.00	24.06	25.00
05	4.00	6.06	7.00	24	23.00	25.06	26.00
06	5.00	7.06	8.00	25	24.00	26.06	27.00
07	6.00	8.06	9.00	26	25.00	27.06	28.00
08	7.00	9.06	10.00	27	26.00	28.06	29.00
09	8.00	10.06	11.00	28	27.00	29.06	30.00
10	9.00	11.06	12.00	29	28.00	30.06	31.00
11	10.00	12.06	13.00	30	29.00	31.06	32.00
12	11.00	13.06	14.00	31	30.00	32.06	33.00
13	12.00	14.06	15.00	32	31.00	33.06	34.00
14	13.00	15.06	16.00	33	32.00	34.06	35.00
15	14.00	16.06	17.00	34	33.00	35.06	36.00
16	15.00	17.06	18.00	35	34.00	36.06	37.00
17	16.00	18.06	19.00	36	35.00	37.06	38.00
18	17.00	19.06	20.00	37	36.00	38.06	39.00
19	18.00	20.06	21.00	38	37.00	39.06	40.00
20	19.00	21.06	22.00	39	38.00	40.06	41.00
21	20.00	22.06	23.00	40	39.00	41.06	42.00
22	21.00	23.06	24.00				

RECOMMENDED PCB LAYOUT

Ordering Information

CFCA102 -

No. of Pins per Row

Standard Plating

: Tin

Selective Plating

: Gold Flash

A032D

Color

: Black

: White

A

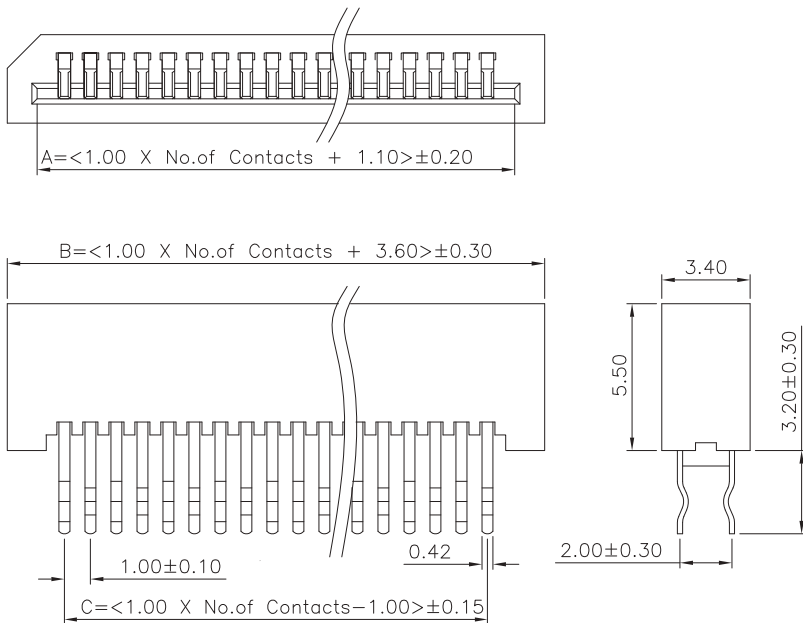
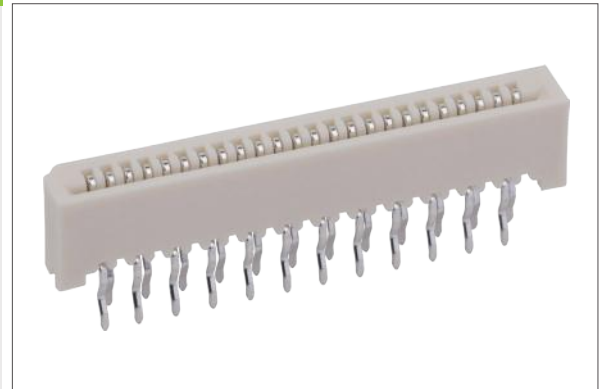
Standard Packing

: Tube

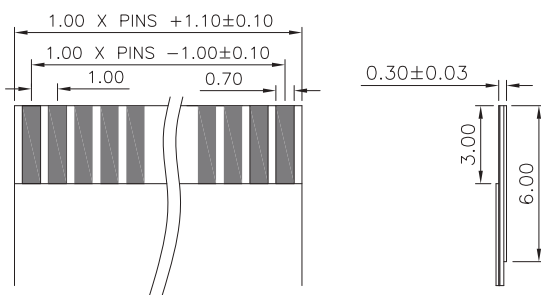


CFCA105-A003F

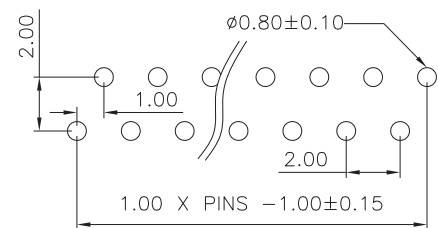
Current Rating: 0.5A
 Dielectric Withstanding Voltage: 500V/AC
 Contact Resistance: 30mΩ Max.
 Insulation Resistance: 500MΩ Min.
 Operating Temperature: -25°C to +85°C
 Insulation Material: UL 94V-0 Nylon 46



No. of PIN/ROW	Dimension Information			No. of PIN/ROW	Dimension Information		
	A	B	C		A	B	C
04	5.10	7.60	3.00	23	24.10	26.60	22.00
05	6.10	8.60	4.00	24	25.10	27.60	23.00
06	7.10	9.60	5.00	25	26.10	28.60	24.00
07	8.10	10.60	6.00	26	27.10	29.60	25.00
08	9.10	11.60	7.00	27	28.10	30.60	26.00
09	10.10	12.60	8.00	28	29.10	31.60	27.00
10	11.10	13.60	9.00	29	30.10	32.60	28.00
11	12.10	14.60	10.00	30	31.10	33.60	29.00
12	13.10	15.60	11.00	31	32.10	34.60	30.00
13	14.10	16.60	12.00	32	33.10	35.60	31.00
14	15.10	17.60	13.00	33	34.10	36.60	32.00
15	16.10	18.60	14.00	34	35.10	37.60	33.00
16	17.10	19.60	15.00	35	36.10	38.60	34.00
17	18.10	20.60	16.00	36	37.10	39.60	35.00
18	19.10	21.60	17.00	37	38.10	40.60	36.00
19	20.10	22.60	18.00	38	39.10	41.60	37.00
20	21.10	23.60	19.00	39	40.10	42.60	38.00
21	22.10	24.60	20.00	40	41.10	43.60	39.00
22	23.10	25.60	21.00				



APPLICABLE FPC



RECOMMENDED PCB LAYOUT

Ordering Information

CFCA105 -

No. of Pins per Row

Standard Plating

: Tin

Selective Plating

: Gold Flash

A003F

Color

: Black

: White

A

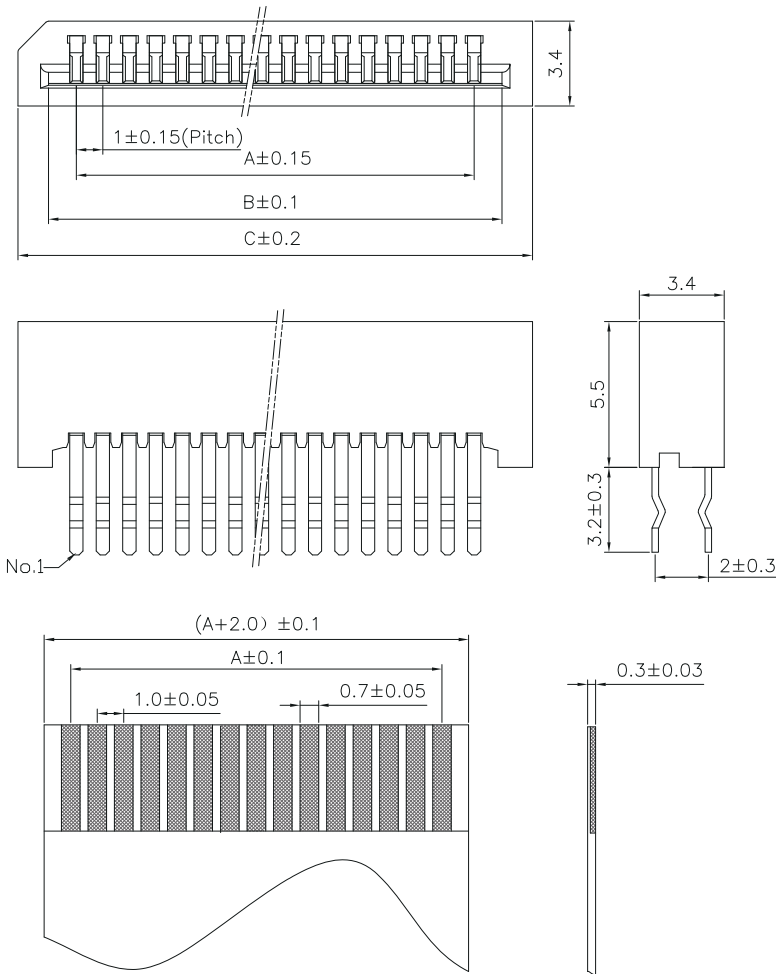
Standard Packing

: Tube



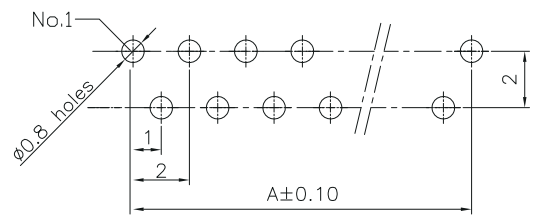
CFCA105-A005F

Current Rating: 1.0A
 Dielectric Withstanding Voltage: 500V/AC
 Contact Resistance: 30mΩ Max.
 Insulation Resistance: 500MΩ Min.
 Operating Temperature: -25°C to +85°C
 Insulation Material: UL 94V-0 PA46



APPLICABLE FPC

No. of PIN/ROW	Dimension Information			No. of PIN/ROW	Dimension Information		
	A	B	C		A	B	C
04	3.00	5.06	6.00	23	22.00	24.06	25.00
05	4.00	6.06	7.00	24	23.00	25.06	26.00
06	5.00	7.06	8.00	25	24.00	26.06	27.00
07	6.00	8.06	9.00	26	25.00	27.06	28.00
08	7.00	9.06	10.00	27	26.00	28.06	29.00
09	8.00	10.06	11.00	28	27.00	29.06	30.00
10	9.00	11.06	12.00	29	28.00	30.06	31.00
11	10.00	12.06	13.00	30	29.00	31.06	32.00
12	11.00	13.06	14.00	31	30.00	32.06	33.00
13	12.00	14.06	15.00	32	31.00	33.06	34.00
14	13.00	15.06	16.00	33	32.00	34.06	35.00
15	14.00	16.06	17.00	34	33.00	35.06	36.00
16	15.00	17.06	18.00	35	34.00	36.06	37.00
17	16.00	18.06	19.00	36	35.00	37.06	38.00
18	17.00	19.06	20.00	37	36.00	38.06	39.00
19	18.00	20.06	21.00	38	37.00	39.06	40.00
20	19.00	21.06	22.00	39	38.00	40.06	41.00
21	20.00	22.06	23.00	40	39.00	41.06	42.00
22	21.00	23.06	24.00				



RECOMMENDED PCB LAYOUT

Ordering Information

CFCA105 -

No. of Pins per Row

4 - 40

Standard Plating

01 : Tin

Selective Plating

02 : Gold Flash

A005F

Color

1 : Black

2 : White

A

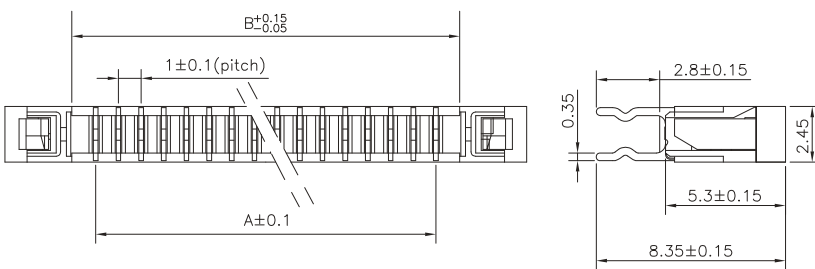
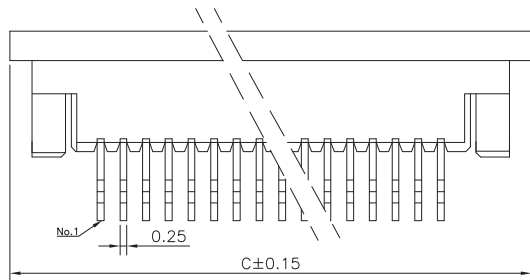
Standard Packing

C : Tube

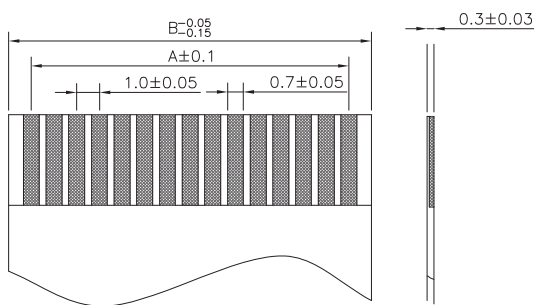


CFCA120-A001C

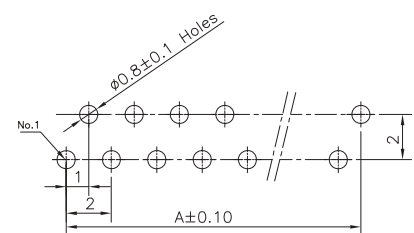
Dielectric Withstanding Voltage: 500V/AC
 Contact Resistance: 30mΩ Max.
 Insulation Resistance: 500MΩ Min.
 Operating Temperature: -25°C to +85°C
 Insulation Material: UL 94V-0 LCP



No. of Pins/Row	Dimension Information			No. of Pins/Row	Dimension Information		
	A	B	C		A	B	C
04	3.00	5.10	11.00	23	22.00	24.10	30.00
05	4.00	6.10	12.00	24	23.00	25.10	31.00
06	5.00	7.10	13.00	25	24.00	26.10	32.00
07	6.00	8.10	14.00	26	25.00	27.10	33.00
08	7.00	9.10	15.00	27	26.00	28.10	34.00
09	8.00	10.10	16.00	28	27.00	29.10	35.00
10	9.00	11.10	17.00	29	28.00	30.10	36.00
11	10.00	12.10	18.00	30	29.00	31.10	37.00
12	11.00	13.10	19.00	31	30.00	32.10	38.00
13	12.00	14.10	20.00	32	31.00	33.10	39.00
14	13.00	15.10	21.00	33	32.00	34.10	40.00
15	14.00	16.10	22.00	34	33.00	35.10	41.00
16	15.00	17.10	23.00	35	34.00	36.10	42.00
17	16.00	18.10	24.00	36	35.00	37.10	43.00
18	17.00	19.10	25.00	37	36.00	38.10	44.00
19	18.00	20.10	26.00	38	37.00	39.10	45.00
20	19.00	21.10	27.00	39	38.00	40.10	46.00
21	20.00	22.10	28.00	40	39.00	41.10	47.00
22	21.00	23.10	29.00				



APPLICABLE FPC



RECOMMENDED PCB LAYOUT

Ordering Information

CFCA120 -

No. of Pins per Row

Standard Plating

: Tin

A001C

Color

: White

A

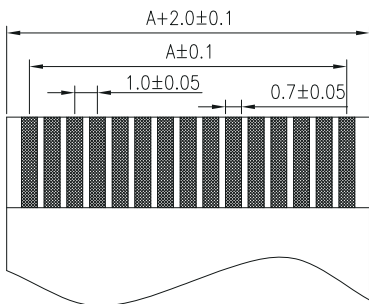
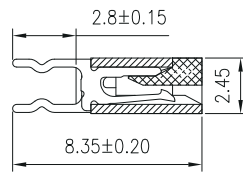
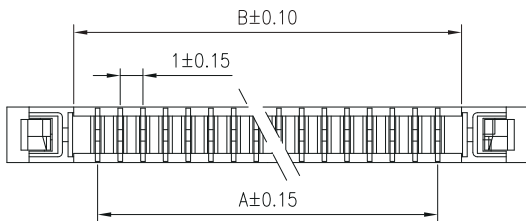
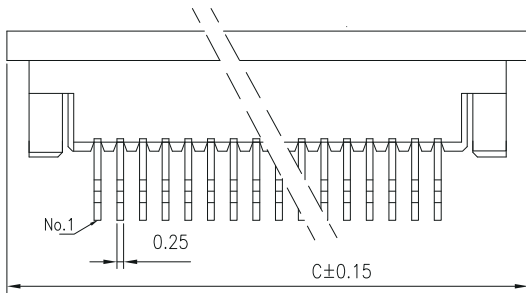
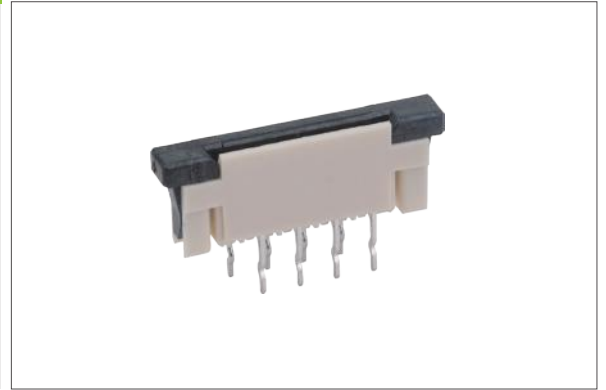
Standard Packing

: Tube

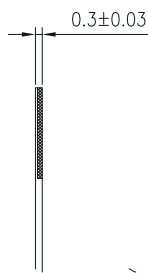


CFCA120-A003C

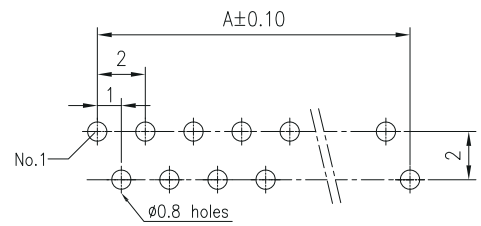
Current Rating: 1.0A
 Dielectric Withstanding Voltage: 500V/AC
 Insulation Resistance: 500MΩ Min.
 Operating Temperature: -25°C to +85°C
 Insulation Material: UL 94V-0 LCP



APPLICABLE FPC



No. of PINS/ROW	Dimension Information			No. of PINS/ROW	Dimension Information		
	A	B	C		A	B	C
04	3.00	5.06	11.00	23	22.00	24.06	30.00
05	4.00	6.06	12.00	24	23.00	25.06	31.00
06	5.00	7.06	13.00	25	24.00	26.06	32.00
07	6.00	8.06	14.00	26	25.00	27.06	33.00
08	7.00	9.06	15.00	27	26.00	28.06	34.00
09	8.00	10.06	16.00	28	27.00	29.06	35.00
10	9.00	11.06	17.00	29	28.00	30.06	36.00
11	10.00	12.06	18.00	30	29.00	31.06	37.00
12	11.00	13.06	19.00	31	30.00	32.06	38.00
13	12.00	14.06	20.00	32	31.00	33.06	39.00
14	13.00	15.06	21.00	33	32.00	34.06	40.00
15	14.00	16.06	22.00	34	33.00	35.06	41.00
16	15.00	17.06	23.00	35	34.00	36.06	42.00
17	16.00	18.06	24.00	36	35.00	37.06	43.00
18	17.00	19.06	25.00	37	36.00	38.06	44.00
19	18.00	20.06	26.00	38	37.00	39.06	45.00
20	19.00	21.06	27.00	39	38.00	40.06	46.00
21	20.00	22.06	28.00	40	39.00	41.06	47.00
22	21.00	23.06	29.00				



RECOMMENDED PCB LAYOUT

Ordering Information

CFCA120 -

No. of Pins per Row

-

Standard Plating

: Gold Flash

Selective Plating

: Tin

A003C

Color

: White

A

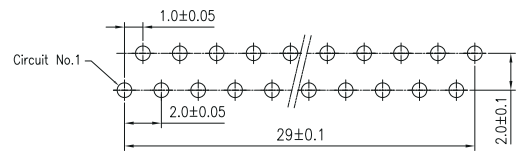
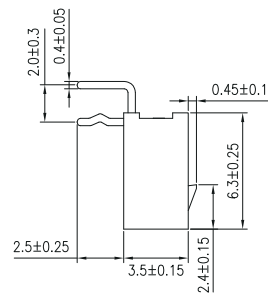
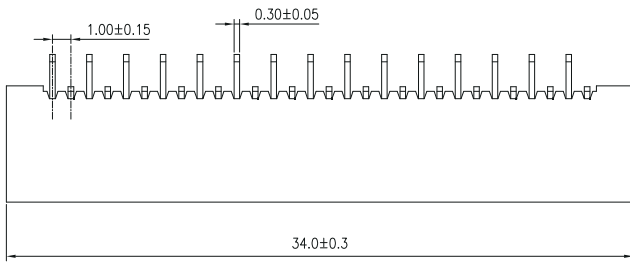
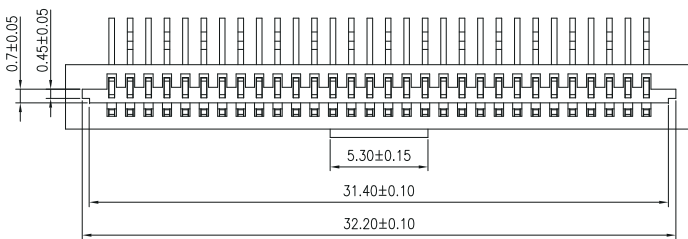
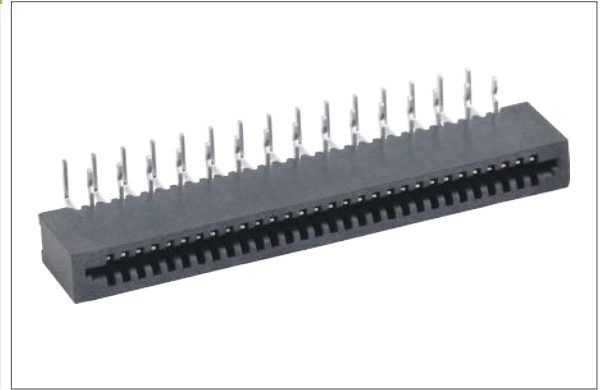
Standard Packing

: Tape&Reel



CFCB105-A004C

Current Rating: 0.5A
 Dielectric Withstanding Voltage: 500V/AC
 Contact Resistance: 30mΩ Max.
 Insulation Resistance: 500MΩ Min.
 Operating Temperature: -25°C to +85°C
 Insulation Material: UL 94V-0 LCP



RECOMMENDED PCB LAYOUT

Ordering Information

CFCB105 - 30

Standard Plating

01 : Tin

Selective Plating

02 : Gold Flash

A004C

Color

1 : Black

2 : White

A

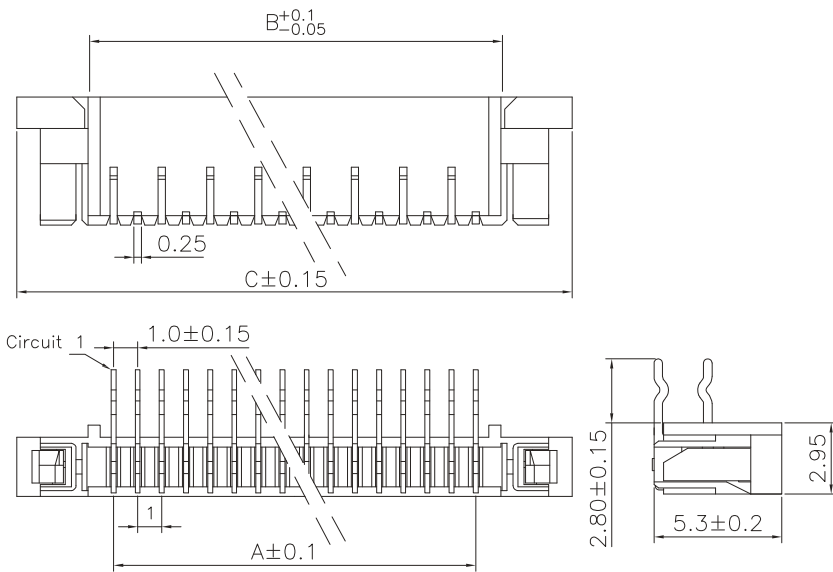
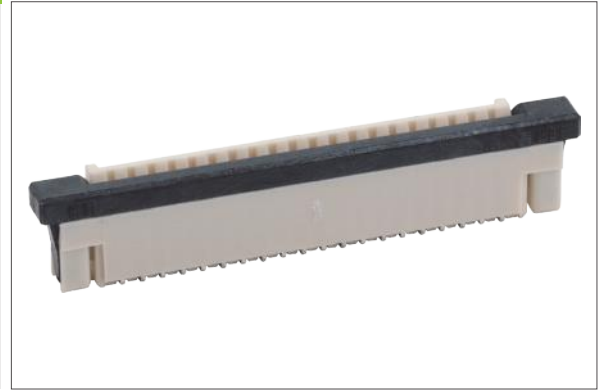
Standard Packing

C : Tube

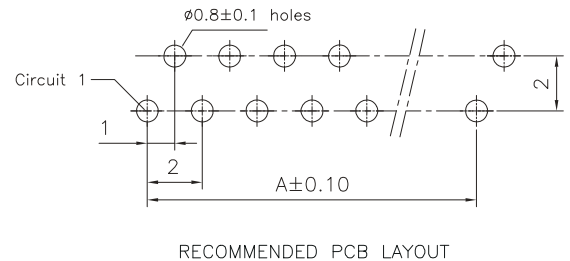
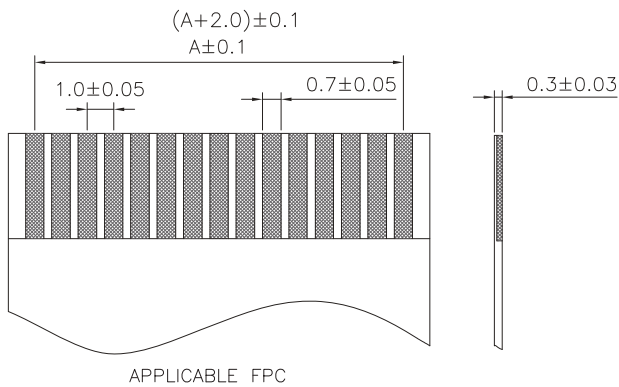


CFCB120-A002F

Current Rating: 0.5A
 Dielectric Withstanding Voltage: 500V/AC
 Contact Resistance: 30mΩ Max.
 Insulation Resistance: 500MΩ Min.
 Operating Temperature: -25°C to +85°C
 Insulation Material: UL 94V-0 Nylon 46



No. of PIN/ROW	Dimension Information			No. of PIN/ROW	Dimension Information		
	A	B	C		A	B	C
04	3.00	5.06	11.00	23	22.00	24.06	30.00
05	4.00	6.06	12.00	24	23.00	25.06	31.00
06	5.00	7.06	13.00	25	24.00	26.06	32.00
07	6.00	8.06	14.00	26	25.00	27.06	33.00
08	7.00	9.06	15.00	27	26.00	28.06	34.00
09	8.00	10.06	16.00	28	27.00	29.06	35.00
10	9.00	11.06	17.00	29	28.00	30.06	36.00
11	10.00	12.06	18.00	30	29.00	31.06	37.00
12	11.00	13.06	19.00	31	30.00	32.06	38.00
13	12.00	14.06	20.00	32	31.00	33.06	39.00
14	13.00	15.06	21.00	33	32.00	34.06	40.00
15	14.00	16.06	22.00	34	33.00	35.06	41.00
16	15.00	17.06	23.00	35	34.00	36.06	42.00
17	16.00	18.06	24.00	36	35.00	37.06	43.00
18	17.00	19.06	25.00	37	36.00	38.06	44.00
19	18.00	20.06	26.00	38	37.00	39.06	45.00
20	19.00	21.06	27.00	39	38.00	40.06	46.00
21	20.00	22.06	28.00	40	39.00	41.06	47.00
22	21.00	23.06	29.00				



Ordering Information

CFCB120 -

No. of Pins per Row

4 - 40

Standard Plating

01 : Tin

Selective Plating

02 : Gold Flash

A002F

Color

1 : Black

2 : White

A

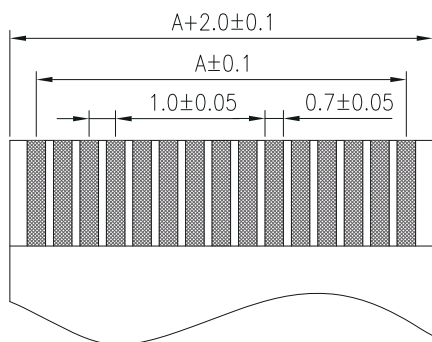
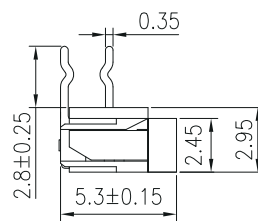
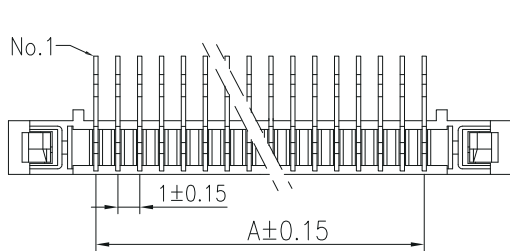
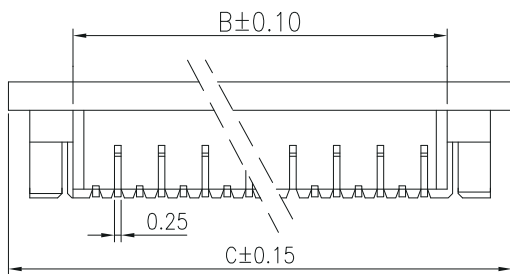
Standard Packing

C : Tube

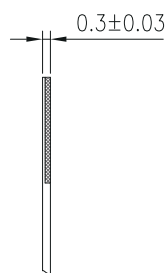


CFCB120-A005C

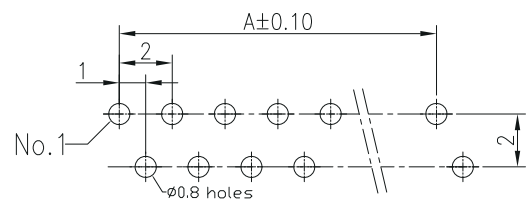
Current Rating: 1.0A
 Dielectric Withstanding Voltage: 500V/AC
 Contact Resistance: 30mΩ Max.
 Insulation Resistance: 500MΩ Min.
 Operating Temperature: -25°C to +85°C
 Insulation Material: UL 94V-0 LCP



APPLICABLE FPC



No. Of PIN/ROW	Dimension Information			No. Of PIN/ROW	Dimension Information		
	A	B	C		A	B	C
04	3.0	5.06	11.0	23	22.0	24.06	30.0
05	4.0	6.06	12.0	24	23.0	25.06	31.0
06	5.0	7.06	13.0	25	24.0	26.06	32.0
07	6.0	8.06	14.0	26	25.0	27.06	33.0
08	7.0	9.06	15.0	27	26.0	28.06	34.0
09	8.0	10.06	16.0	28	27.0	29.06	35.0
10	9.0	11.06	17.0	29	28.0	30.06	36.0
11	10.0	12.06	18.0	30	29.0	31.06	37.0
12	11.0	13.06	19.0	31	30.0	32.06	38.0
13	12.0	14.06	20.0	32	31.0	33.06	39.0
14	13.0	15.06	21.0	33	32.0	34.06	40.0
15	14.0	16.06	22.0	34	33.0	35.06	41.0
16	15.0	17.06	23.0	35	34.0	36.06	42.0
17	16.0	18.06	24.0	36	35.0	37.06	43.0
18	17.0	19.06	25.0	37	36.0	38.06	44.0
19	18.0	20.06	26.0	38	37.0	39.06	45.0
20	19.0	21.06	27.0	39	38.0	40.06	46.0
21	20.0	22.06	28.0	40	39.0	41.06	47.0
22	21.0	23.06	29.0				



RECOMMENDED PCB LAYOUT

Ordering Information

CFCB120 -

No. of Pins per Row

Standard Plating

: Tin

Selective Plating

: Gold Flash

A005C

Color

: Black

: White

A

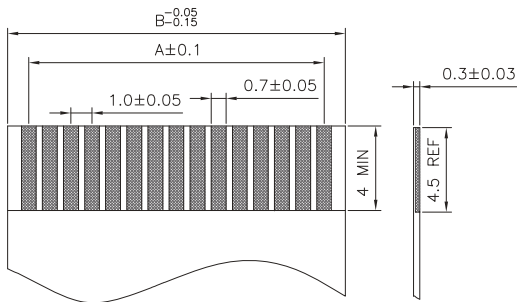
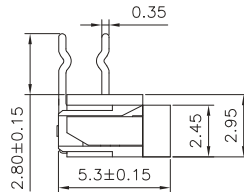
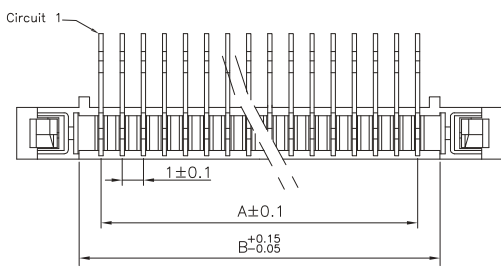
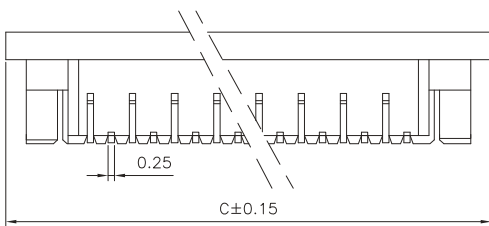
Standard Packing

: Tube



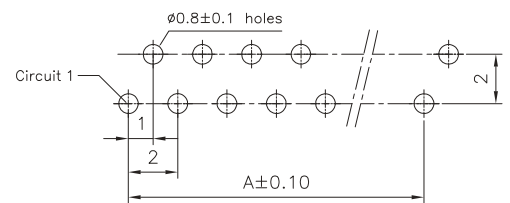
CFCB120-A011F

Current Rating: 0.5A
 Dielectric Withstanding Voltage: 500V/AC
 Contact Resistance: 30mΩ Max.
 Insulation Resistance: 500MΩ Min.
 Operating Temperature: -25°C to +85°C
 Insulation Material: UL 94V-0 Nylon 46



APPLICABLE FPC

No. of PIN/ROW	Dimension Information			No. of PIN/ROW	Dimension Information		
	A	B	C		A	B	C
04	3.00	5.10	11.00	23	22.00	24.10	30.00
05	4.00	6.10	12.00	24	23.00	25.10	31.00
06	5.00	7.10	13.00	25	24.00	26.10	32.00
07	6.00	8.10	14.00	26	25.00	27.10	33.00
08	7.00	9.10	15.00	27	26.00	28.10	34.00
09	8.00	10.10	16.00	28	27.00	29.10	35.00
10	9.00	11.10	17.00	29	28.00	30.10	36.00
11	10.00	12.10	18.00	30	29.00	31.10	37.00
12	11.00	13.10	19.00	31	30.00	32.10	38.00
13	12.00	14.10	20.00	32	31.00	33.10	39.00
14	13.00	15.10	21.00	33	32.00	34.10	40.00
15	14.00	16.10	22.00	34	33.00	35.10	41.00
16	15.00	17.10	23.00	35	34.00	36.10	42.00
17	16.00	18.10	24.00	36	35.00	37.10	43.00
18	17.00	19.10	25.00	37	36.00	38.10	44.00
19	18.00	20.10	26.00	38	37.00	39.10	45.00
20	19.00	21.10	27.00	39	38.00	40.10	46.00
21	20.00	22.10	28.00	40	39.00	41.10	47.00
22	21.00	23.10	29.00				



RECOMMENDED PCB LAYOUT

Ordering Information

CFCB120 -

No. of Pins per Row

Standard Plating

: Tin

A011F

Color

: Black

: White

A

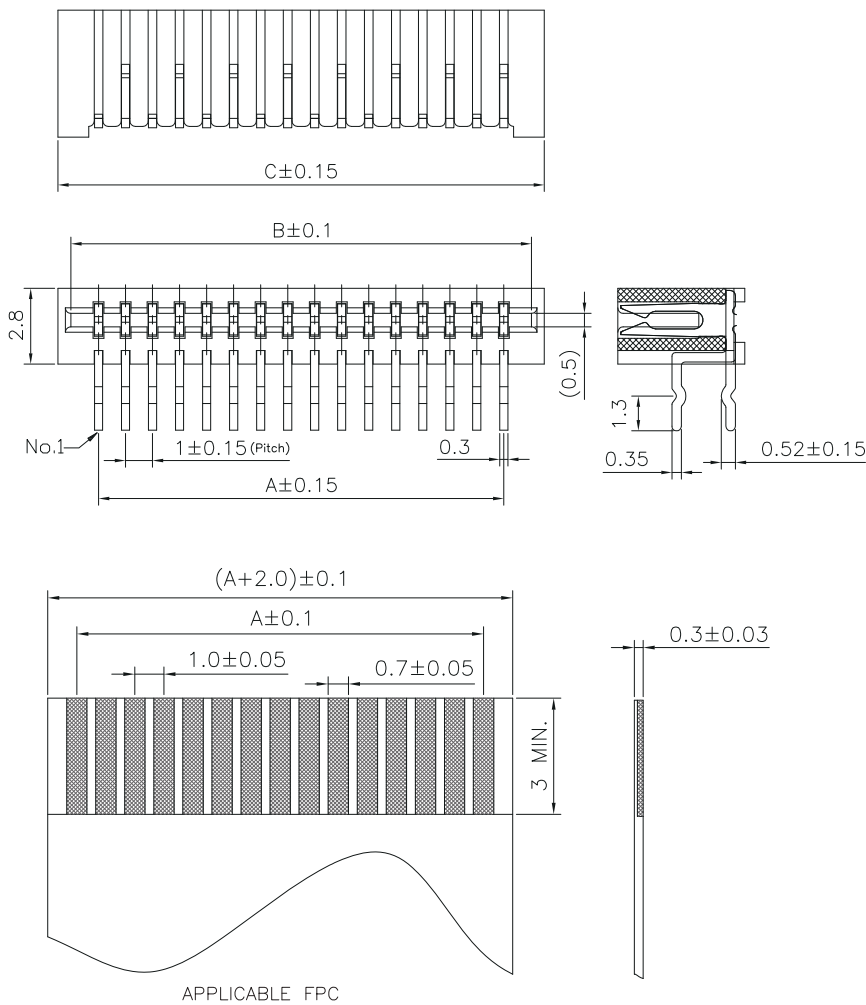
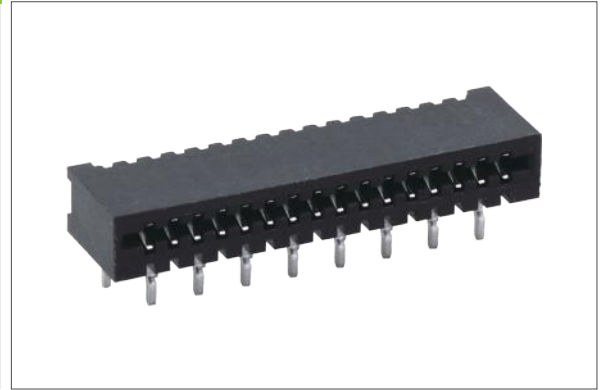
Standard Packing

: Tube

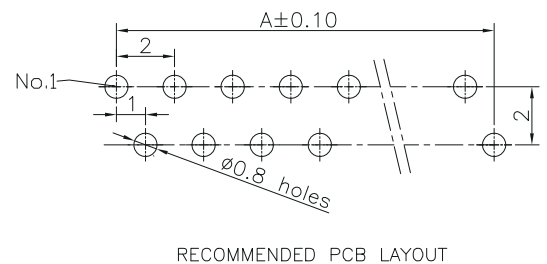


CFCB125-A002D

Current Rating: 1.0A
 Dielectric Withstanding Voltage: 500V/AC
 Contact Resistance: 30mΩ Max.
 Insulation Resistance: 500MΩ Min.
 Operating Temperature: -25°C to +85°C
 Insulation Material: UL 94V-0 Nylon 9T



No. of Pins/Row	Dimension Information			No. of Pins/Row	Dimension Information		
	A	B	C		A	B	C
04	3.00	5.06	6.00	23	22.00	24.06	25.00
05	4.00	6.06	7.00	24	23.00	25.06	26.00
06	5.00	7.06	8.00	25	24.00	26.06	27.00
07	6.00	8.06	9.00	26	25.00	27.06	28.00
08	7.00	9.06	10.00	27	26.00	28.06	29.00
09	8.00	10.06	11.00	28	27.00	29.06	30.00
10	9.00	11.06	12.00	29	28.00	30.06	31.00
11	10.00	12.06	13.00	30	29.00	31.06	32.00
12	11.00	13.06	14.00	31	30.00	32.06	33.00
13	12.00	14.06	15.00	32	31.00	33.06	34.00
14	13.00	15.06	16.00	33	32.00	34.06	35.00
15	14.00	16.06	17.00	34	33.00	35.06	36.00
16	15.00	17.06	18.00	35	34.00	36.06	37.00
17	16.00	18.06	19.00	36	35.00	37.06	38.00
18	17.00	19.06	20.00	37	36.00	38.06	39.00
19	18.00	20.06	21.00	38	37.00	39.06	40.00
20	19.00	21.06	22.00	39	38.00	40.06	41.00
21	20.00	22.06	23.00	40	39.00	41.06	42.00
22	21.00	23.06	24.00				



Ordering Information

CFCB125 -

No. of Pins per Row

Standard Plating

: Tin

Selective Plating

: Gold Flash

A002D

Color

: Black

: White

A

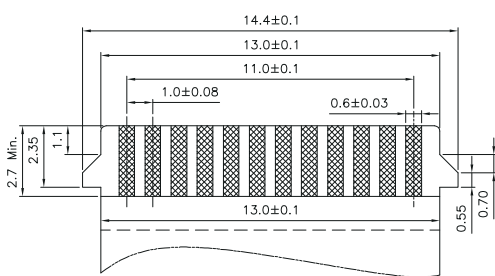
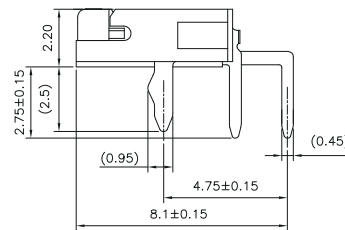
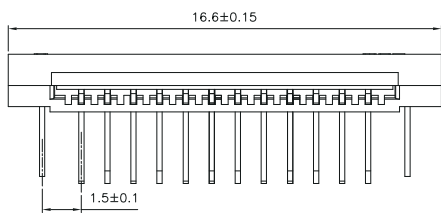
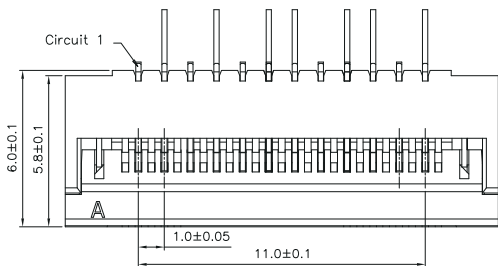
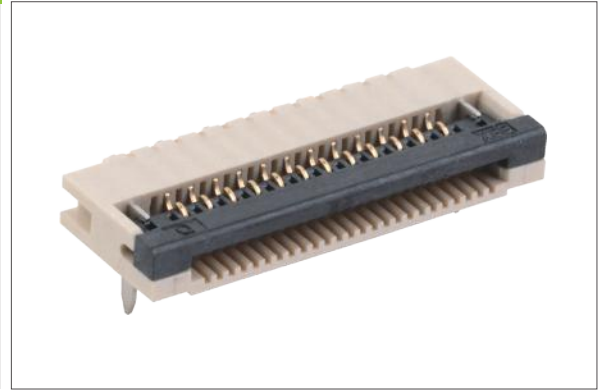
Standard Packing

: Tube

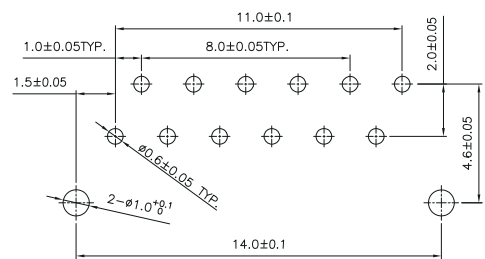
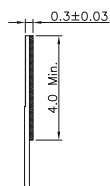


CFCB126-A001C

Current Rating: 1.0A
 Dielectric Withstanding Voltage: 500V/AC
 Contact Resistance: 30mΩ Max.
 Insulation Resistance: 500MΩ Min.
 Operating Temperature: -40°C to +105°C
 Insulation Material: UL 94V-0 LCP



APPLICABLE FPC



RECOMMENDED PCB LAYOUT

Ordering Information

CFCB126 - 12

Standard Plating

02 : Gold Flash

Selective Plating

01 : Tin

A001C

Color

1 : Black

2 : White

S

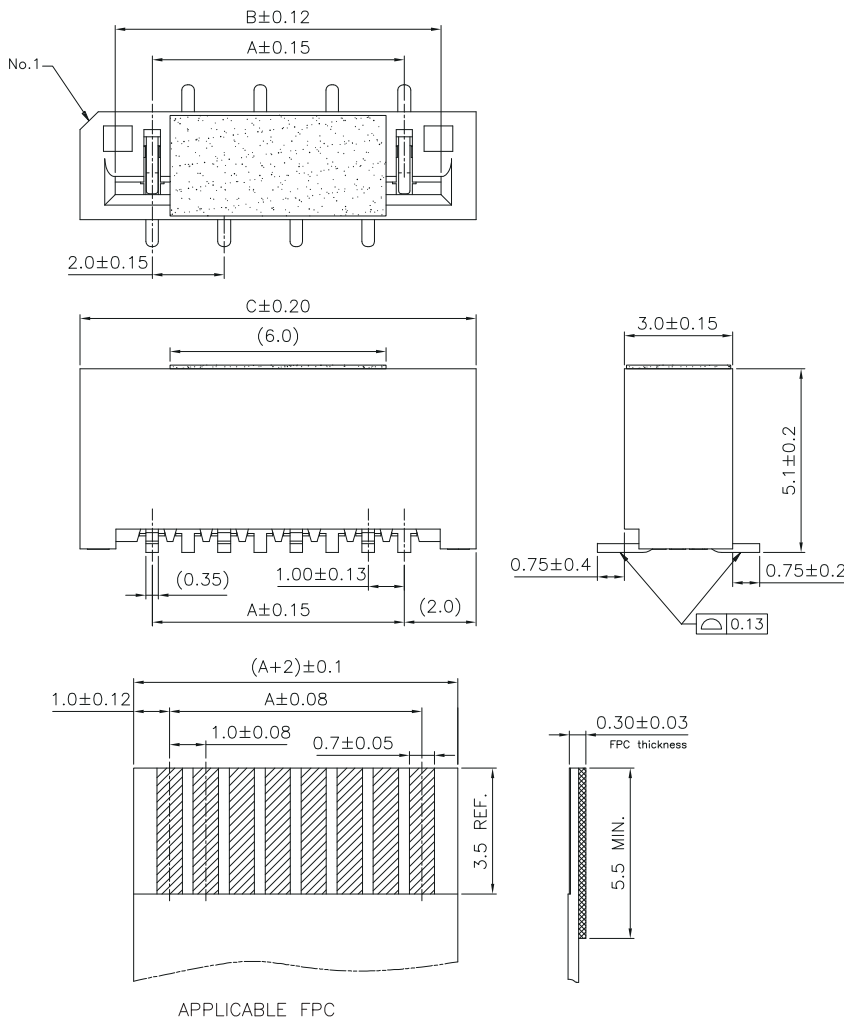
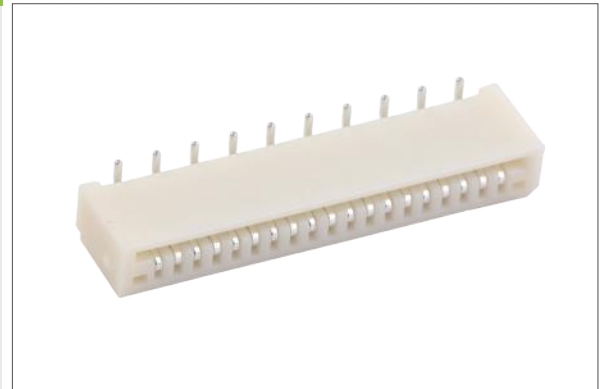
Standard Packing

C : Tube

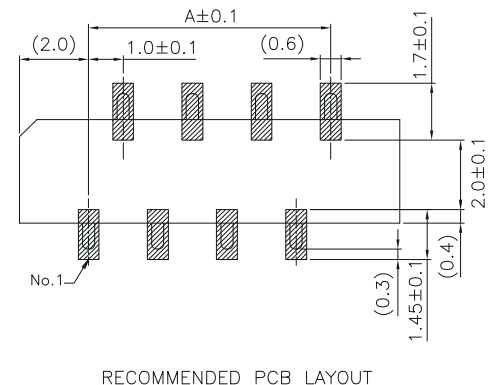


CFCC104-A003B

Current Rating: 0.5A
 Dielectric Withstanding Voltage: 500V/AC
 Contact Resistance: 30mΩ Max.
 Insulation Resistance: 100MΩ Min.
 Operating Temperature: -25°C to +85°C
 Insulation Material: UL 94V-0 PA6T



No. of PIN/ROW	Dimension Information		
	A	B	C
05	4.00	6.05	8.00
06	5.00	7.05	9.00
08	7.00	9.05	11.00
09	8.00	10.05	12.00
10	9.00	11.05	13.00
13	12.00	14.05	16.00
14	13.00	15.05	17.00
15	14.00	16.05	18.00
16	15.00	17.05	19.00
19	18.00	20.05	22.00
30	29.00	31.05	33.00



Ordering Information

CFCC104-

No. of Pins per Row

[See Table](#)

Standard Plating

: Tim

Selective Plating

: Gold Flash

: Matte Tin

A003B

Color

: Black

: White

: Beige

A

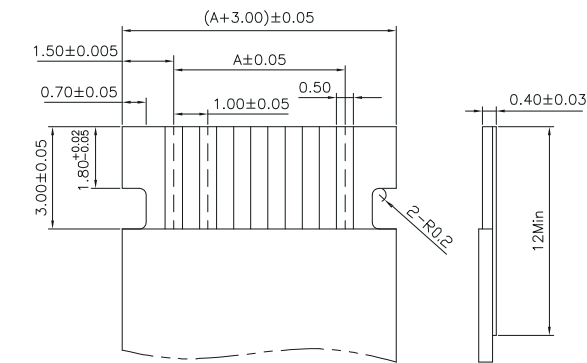
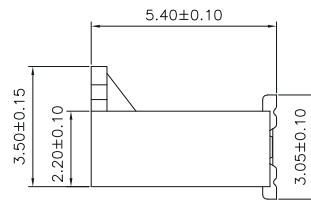
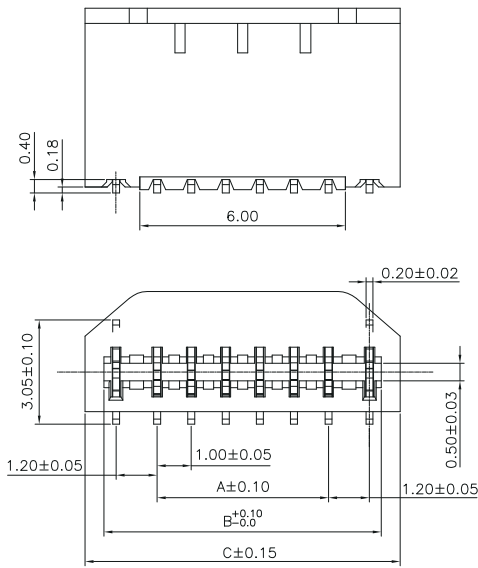
Standard Packing

: Tape&Reel + Mylar



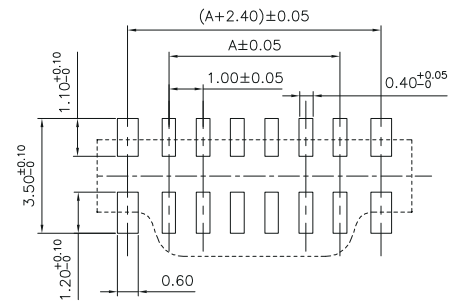
CFCC104-A008C

Current Rating: 1.0A
 Dielectric Withstanding Voltage: 500V/AC
 Contact Resistance: 0.03mΩ Max.
 Insulation Resistance: 100MΩ Min.
 Operating Temperature: -40°C to +85°C
 Insulation Material: UL 94V-0 LCP



APPLICABLE FPC

No. of PIN/ROW	Dimension Information		
	A	B	C
06	5.00	8.10	9.20
08	7.00	10.10	11.20
10	9.00	12.10	13.20
12	11.00	14.10	15.20



RECOMMENDED PCB LAYOUT

Ordering Information

CFCC104-

No. of Pins per Row

Standard Plating

: Gold Flash

Selective Plating

: Tin

: Gold Flash/Tin

A008C

Color

: White

A

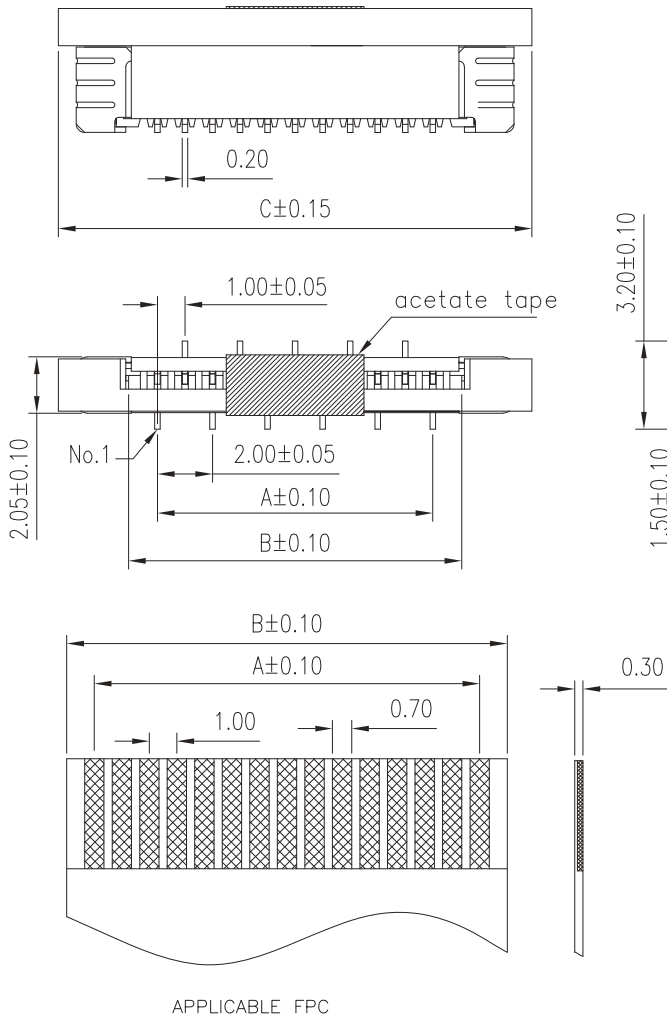
Standard Packing

: Tape&Reel

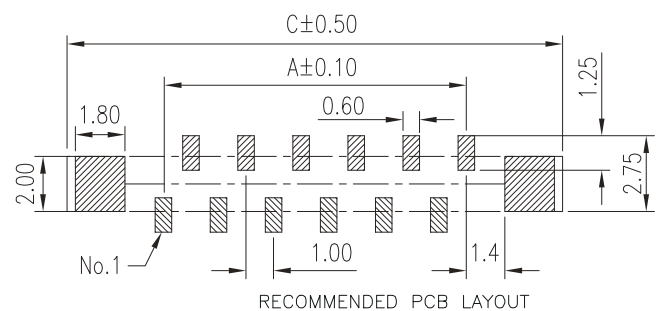


CFCC107-A001F

Current Rating: 0.5A
 Dielectric Withstanding Voltage: 500V/AC
 Contact Resistance: 0.05mΩ Max.
 Insulation Resistance: 500MΩ Min.
 Operating Temperature: -25°C to +85°C
 Insulation Material: UL 94V-0 Nylon 46



No. of PIN/ROW	Dimension Information		
	A	B	C
04	3.00	5.10	10.20
05	4.00	6.10	11.20
06	5.00	7.10	12.20
07	6.00	8.10	13.20
08	7.00	9.10	14.20
09	8.00	10.10	15.20
10	9.00	11.10	16.20
11	10.00	12.10	17.20
12	11.00	13.10	18.20
13	12.00	14.10	19.20
14	13.00	15.10	20.20
15	14.00	16.10	21.20
16	15.00	17.10	22.20
17	16.00	18.10	23.20
18	17.00	19.10	24.20
19	18.00	20.10	25.20
20	19.00	21.10	26.20
21	20.00	22.10	27.20
22	21.00	23.10	28.20
23	22.00	24.10	29.20
24	23.00	25.10	30.20
25	24.00	26.10	31.20
26	25.00	27.10	32.20
27	26.00	28.10	33.20
28	27.00	29.10	34.20
29	28.00	30.10	35.20



Ordering Information

CFCC107 - A001F A

No. of Pins per Row:

Standard Plating:

Selective Plating:

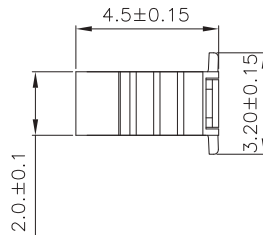
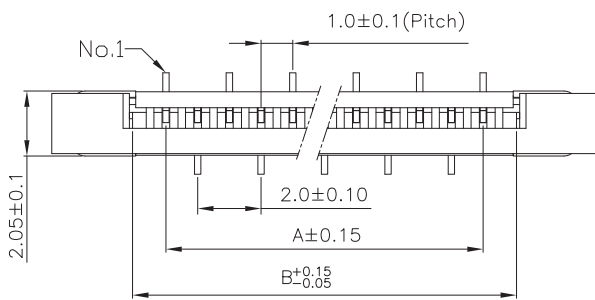
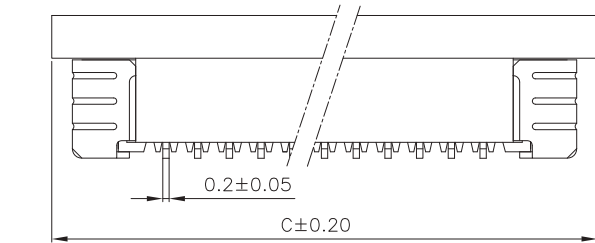
Color:

Standard Packing:

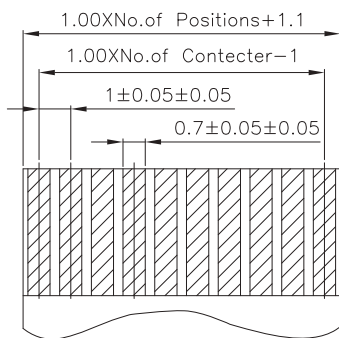


CFCC107-A002F

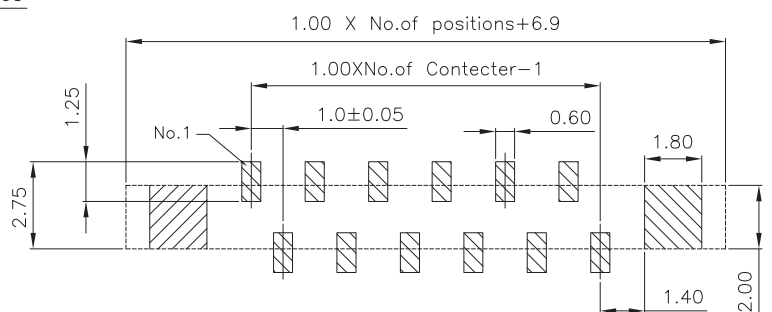
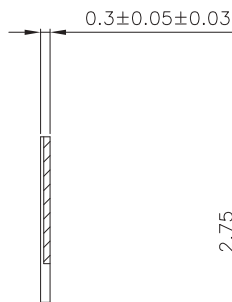
Current Rating: 0.5A
 Dielectric Withstanding Voltage: 500V/AC
 Contact Resistance: 30mΩ Max.
 Insulation Resistance: 500MΩ Min.
 Operating Temperature: -25°C to +85°C
 Insulation Material: UL 94V-0 Nylon 46



No. of PINS/ROW	Dimension Information		
	A	B	C
04	3.00	5.10	10.90
05	4.00	6.10	11.90
06	5.00	7.10	12.90
07	6.00	8.10	13.90
08	7.00	9.10	14.90
09	8.00	10.10	15.90
10	9.00	11.10	16.90
11	10.00	12.10	17.90
12	11.00	13.10	18.90
13	12.00	14.10	19.90
14	13.00	15.10	20.90
15	14.00	16.10	21.90
16	15.00	17.10	22.90
17	16.00	18.10	23.90
18	17.00	19.10	24.90
19	18.00	20.10	25.90
20	19.00	21.10	26.90
21	20.00	22.10	27.90
22	21.00	23.10	28.90
23	22.00	24.10	29.90
24	23.00	25.10	30.90
25	24.00	26.10	31.90
26	25.00	27.10	32.90
27	26.00	28.10	33.90
28	27.00	29.10	34.90
29	28.00	30.10	35.90



APPLICABLE FPC



RECOMMENDED PCB LAYOUT

Ordering Information

CFCC107 -

No. of Pins per Row

Standard Plating

: Gold Flash

Selective Plating

: Tin

: Gold Flash/Tin

A002F

Color

: Black

A

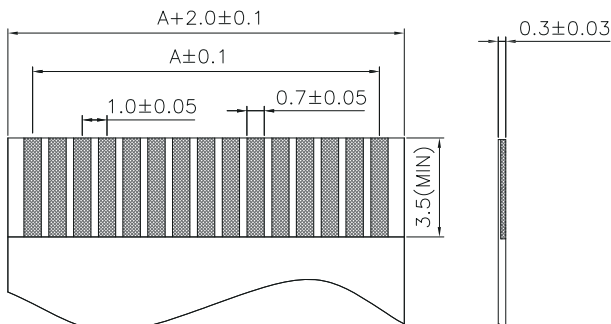
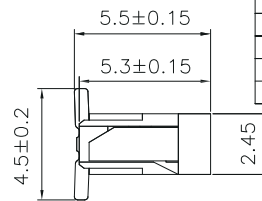
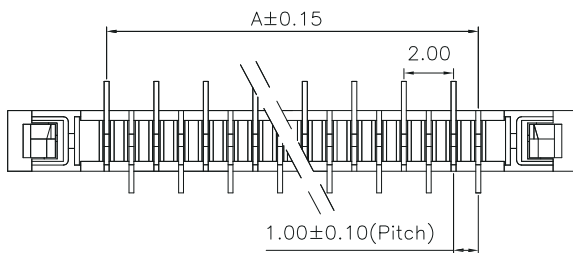
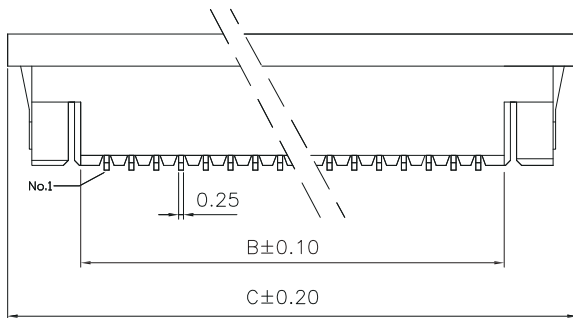
Standard Packing

: Tube

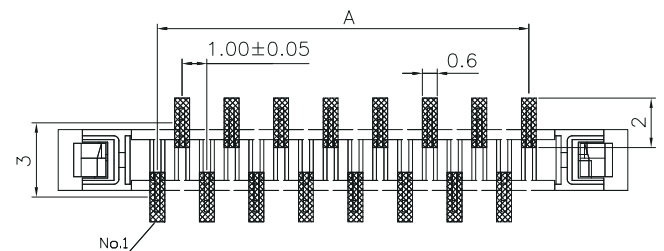


CFCC107-A006C

Current Rating: 1.0A
 Dielectric Withstanding Voltage: 500V/AC
 Contact Resistance: 30mΩ Max.
 Insulation Resistance: 500MΩ Min.
 Operating Temperature: -25°C to +85°C
 Insulation Material: UL 94V-0 LCP



APPLICABLE FPC



RECOMMENDED PCB LAYOUT

No. of PIN/ROW	Dimension Information			No. of PIN/ROW	Dimension Information		
	A	B	C		A	B	C
04	3.00	5.06	11.00	23	22.00	24.06	30.00
05	4.00	6.06	12.00	24	23.00	25.06	31.00
06	5.00	7.06	13.00	25	24.00	26.06	32.00
07	6.00	8.06	14.00	26	25.00	27.06	33.00
08	7.00	9.06	15.00	27	26.00	28.06	34.00
09	8.00	10.06	16.00	28	27.00	29.06	35.00
10	9.00	11.06	17.00	29	28.00	30.06	36.00
11	10.00	12.06	18.00	30	29.00	31.06	37.00
12	11.00	13.06	19.00	31	30.00	32.06	38.00
13	12.00	14.06	20.00	32	31.00	33.06	39.00
14	13.00	15.06	21.00	33	32.00	34.06	40.00
15	14.00	16.06	22.00	34	33.00	35.06	41.00
16	15.00	17.06	23.00	35	34.00	36.06	42.00
17	16.00	18.06	24.00	36	35.00	37.06	43.00
18	17.00	19.06	25.00	37	36.00	38.06	44.00
19	18.00	20.06	26.00	38	37.00	39.06	45.00
20	19.00	21.06	27.00	39	38.00	40.06	46.00
21	20.00	22.06	28.00	40	39.00	41.06	47.00
22	21.00	23.06	29.00				

Ordering Information

CFCC107 -

No. of Pins per Row

Standard Plating

: Tin

Selective Plating

: Gold Flash

A006C

Color

: White

A

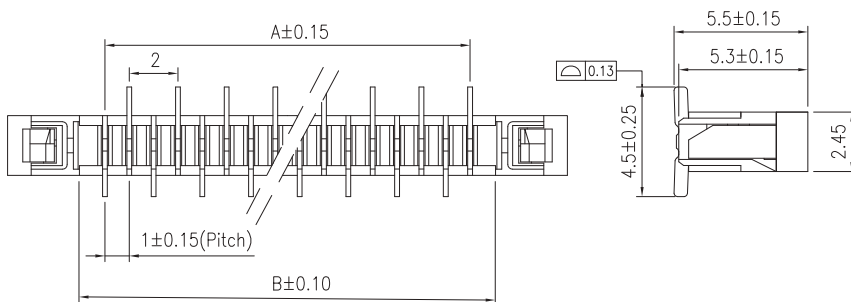
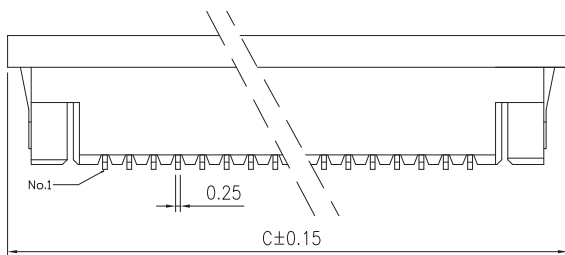
Standard Packing

: Tape&Reel + Mylar

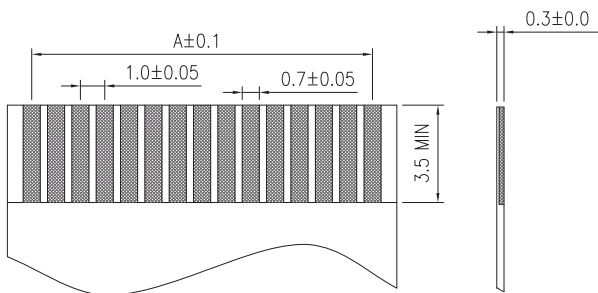


CFCC107-A008C

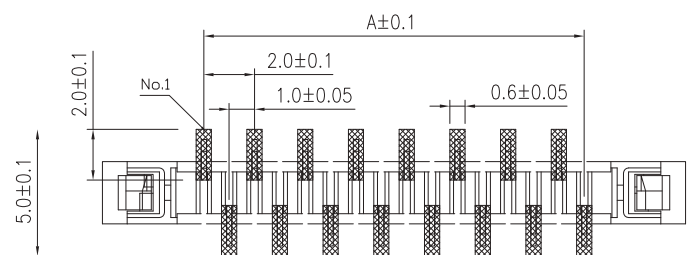
Current Rating: 1.0A
 Dielectric Withstanding Voltage: 500V/AC
 Contact Resistance: 30mΩ Max.
 Insulation Resistance: 500MΩ Min.
 Operating Temperature: -25°C to +85°C
 Insulation Material: UL 94V-0 LCP



No. OF PIN/ROW	Dimension information			No. OF PIN/ROW	Dimension information		
	A	B	C		A	B	C
04	3.00	5.06	11.00	23	22.00	24.06	30.00
05	4.00	6.06	12.00	24	23.00	25.06	31.00
06	5.00	7.06	13.00	25	24.00	26.06	32.00
07	6.00	8.06	14.00	26	25.00	27.06	33.00
08	7.00	9.06	15.00	27	26.00	28.06	34.00
09	8.00	10.06	16.00	28	27.00	29.06	35.00
10	9.00	11.06	17.00	29	28.00	30.06	36.00
11	10.00	12.06	18.00	30	29.00	31.06	37.00
12	11.00	13.06	19.00	31	30.00	32.06	38.00
13	12.00	14.06	20.00	32	31.00	33.06	39.00
14	13.00	15.06	21.00	33	32.00	34.06	40.00
15	14.00	16.06	22.00	34	33.00	35.06	41.00
16	15.00	17.06	23.00	35	34.00	36.06	42.00
17	16.00	18.06	24.00	36	35.00	37.06	43.00
18	17.00	19.06	25.00	37	36.00	38.06	44.00
19	18.00	20.06	26.00	38	37.00	39.06	45.00
20	19.00	21.06	27.00	39	38.00	40.06	46.00
21	20.00	22.06	28.00	40	39.00	41.06	47.00
22	21.00	23.06	29.00				



APPLICABLE FPC



RECOMMENDED PCB LAYOUT

Ordering Information

CFCC107 -

No. of Pins per Row

Standard Plating

: Tin

Selective Plating

: Gold Flash

A008C

Color

: Black

: White

A

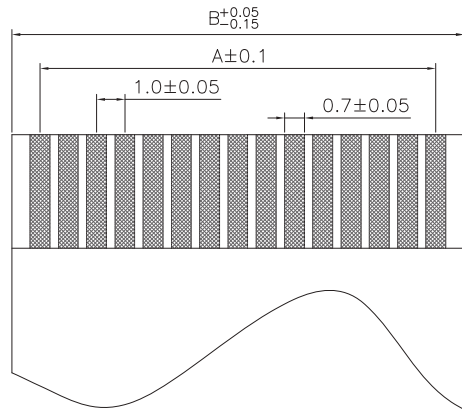
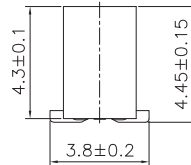
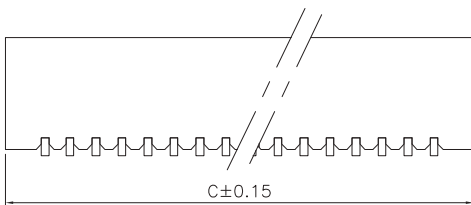
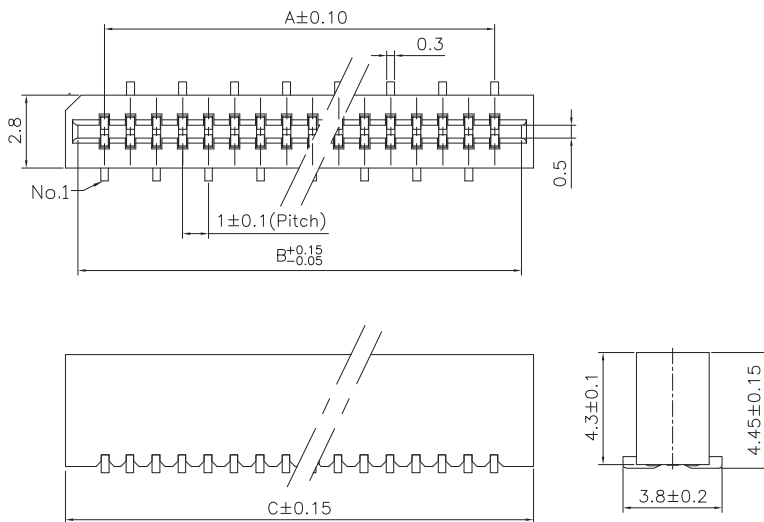
Standard Packing

: Tape&Reel + Mylar

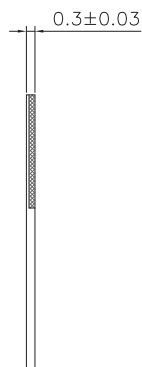


CFCC119-A001F

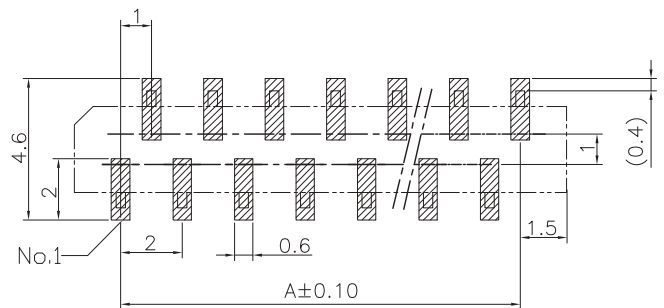
Dielectric Withstanding Voltage: 500V/AC
 Contact Resistance: 30mΩ Max.
 Insulation Resistance: 500MΩ Min.
 Operating Temperature: -25°C to +85°C
 Insulation Material: UL 94V-0 Nylon 46



APPLICABLE FPC



No. of PIN/ROW	Dimension Information			No. of PIN/ROW	Dimension Information		
	A	B	C		A	B	C
04	3.00	5.10	6.00	23	22.00	24.10	25.00
05	4.00	6.10	7.00	24	23.00	25.10	26.00
06	5.00	7.10	8.00	25	24.00	26.10	27.00
07	6.00	8.10	9.00	26	25.00	27.10	28.00
08	7.00	9.10	10.00	27	26.00	28.10	29.00
09	8.00	10.10	11.00	28	27.00	29.10	30.00
10	9.00	11.10	12.00	29	28.00	30.10	31.00
11	10.00	12.10	13.00	30	29.00	31.10	32.00
12	11.00	13.10	14.00	31	30.00	32.10	33.00
13	12.00	14.10	15.00	32	31.00	33.10	34.00
14	13.00	15.10	16.00	33	32.00	34.10	35.00
15	14.00	16.10	17.00	34	33.00	35.10	36.00
16	15.00	17.10	18.00	35	34.00	36.10	37.00
17	16.00	18.10	19.00	36	35.00	37.10	38.00
18	17.00	19.10	20.00	37	36.00	38.10	39.00
19	18.00	20.10	21.00	38	37.00	39.10	40.00
20	19.00	21.10	22.00	39	38.00	40.10	41.00
21	20.00	22.10	23.00	40	39.00	41.10	42.00
22	21.00	23.10	24.00				



RECOMMENDED PCB LAYOUT

Ordering Information

CFCC119 -

No. of Pins per Row

Standard Plating

: Tin

Selective Plating

: Gold Flash

: Gold Flash/Tin

A001F

Color

: Black

A

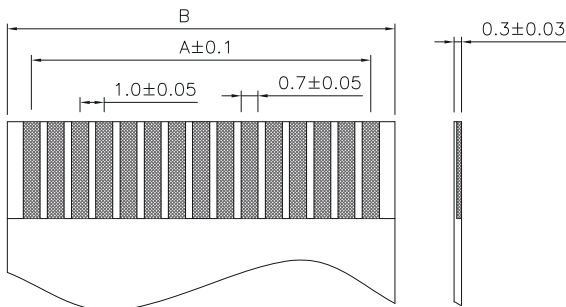
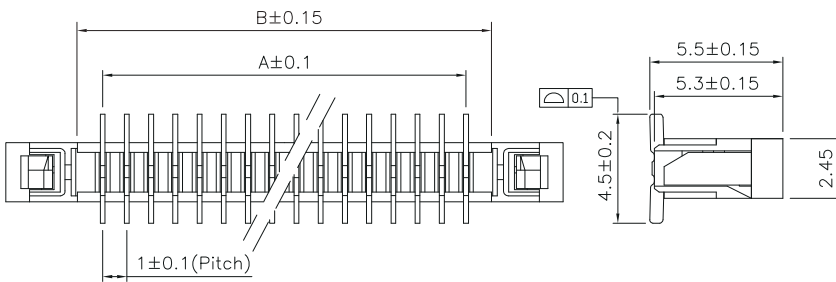
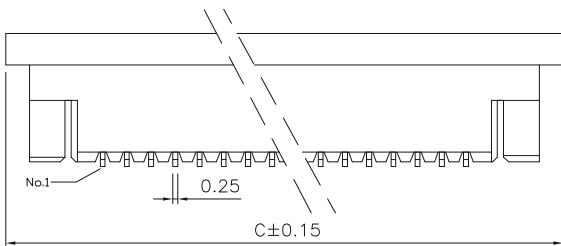
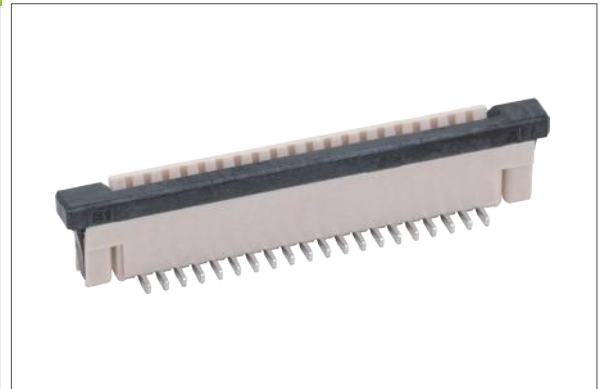
Standard Packing

: Tube



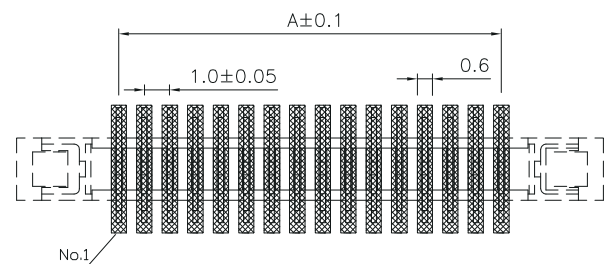
CFCC126-A001C

Current Rating: 0.5A
 Dielectric Withstanding Voltage: 500V/AC
 Contact Resistance: 40mΩ Max.
 Insulation Resistance: 500MΩ Min.
 Operating Temperature: -25°C to +85°C
 Insulation Material: UL 94V-0 LCP



APPLICABLE FPC

No. of PIN/ROW	Dimension Information			No. of PIN/ROW	Dimension Information		
	A	B	C		A	B	C
04	3.00	5.10	11.00	23	22.00	24.10	30.00
05	4.00	6.10	12.00	24	23.00	25.10	31.00
06	5.00	7.10	13.00	25	24.00	26.10	32.00
07	6.00	8.10	14.00	26	25.00	27.10	33.00
08	7.00	9.10	15.00	27	26.00	28.10	34.00
09	8.00	10.10	16.00	28	27.00	29.10	35.00
10	9.00	11.10	17.00	29	28.00	30.10	36.00
11	10.00	12.10	18.00	30	29.00	31.10	37.00
12	11.00	13.10	19.00	31	30.00	32.10	38.00
13	12.00	14.10	20.00	32	31.00	33.10	39.00
14	13.00	15.10	21.00	33	32.00	34.10	40.00
15	14.00	16.10	22.00	34	33.00	35.10	41.00
16	15.00	17.10	23.00	35	34.00	36.10	42.00
17	16.00	18.10	24.00	36	35.00	37.10	43.00
18	17.00	19.10	25.00	37	36.00	38.10	44.00
19	18.00	20.10	26.00	38	37.00	39.10	45.00
20	19.00	21.10	27.00	39	38.00	40.10	46.00
21	20.00	22.10	28.00	40	39.00	41.10	47.00
22	21.00	23.10	29.00				



RECOMMENDED PCB LAYOUT

Ordering Information

CFCC126 -

No. of Pins per Row

Standard Plating

: Tin

Selective Plating

: Matte Tin

A001C

Color

: White

: Beige

A

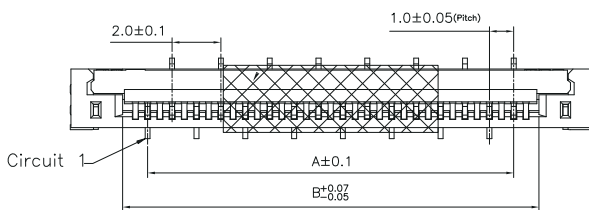
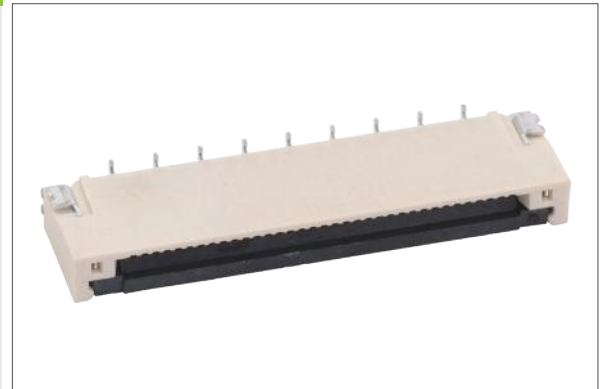
Standard Packing

: Tube

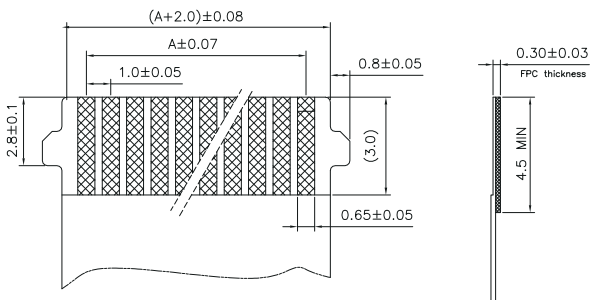
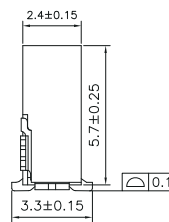
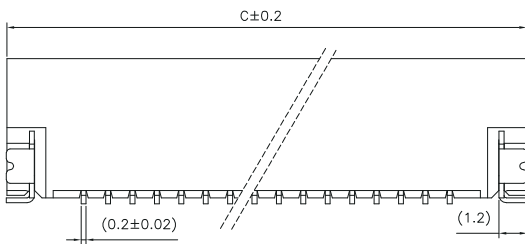


CFCC137-A001C

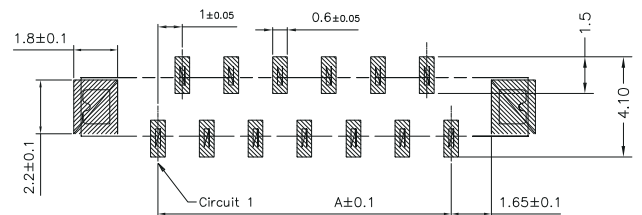
Current Rating: 1.0A
 Dielectric Withstanding Voltage: 500V/AC
 Contact Resistance: 30mΩ Max.
 Insulation Resistance: 500MΩ Min.
 Operating Temperature: -40°C to +105°C
 Insulation Material: UL 94V-0 LCP



No. of PIN/ROW	Dimension Information		
	A	B	C
08	7.00	9.06	13.30
09	8.50	10.06	14.30
10	9.50	11.06	15.30
13	12.00	14.06	18.30
15	14.00	16.06	20.30
17	16.00	18.06	22.30



APPLICABLE FPC



RECOMMENDED PCB LAYOUT

Ordering Information

CFCC137 -

No. of Pins per Row

See Table

Standard Plating

: Matte Tin

A001C

Color

: White

A

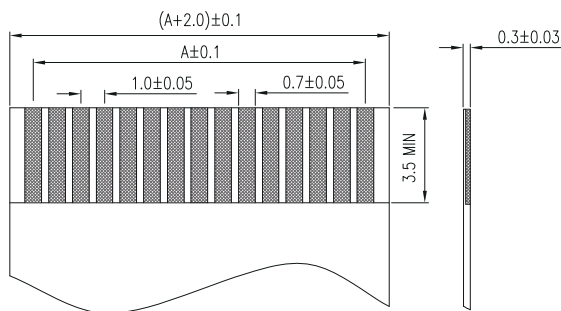
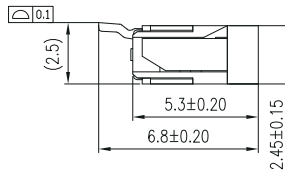
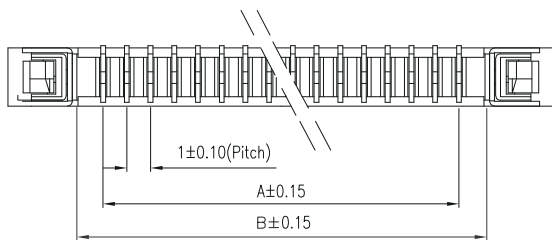
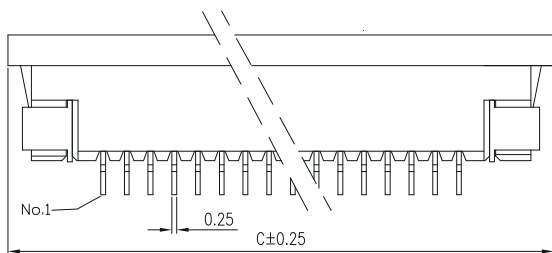
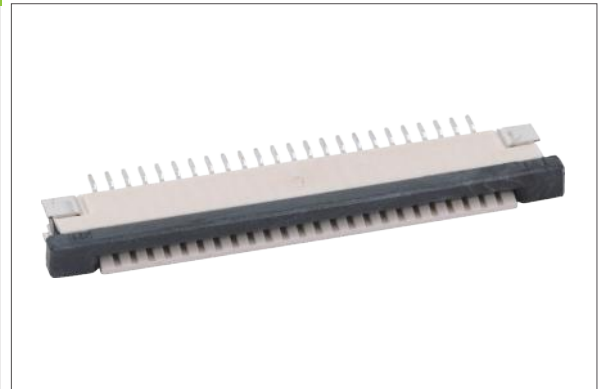
Standard Packing

: Tube

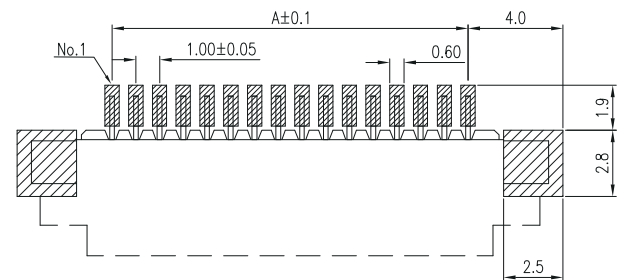


CFCD108-A005C

Current Rating: 1.0A
 Dielectric Withstanding Voltage: 500V/AC
 Contact Resistance: 30mΩ Max.
 Insulation Resistance: 500MΩ Min.
 Operating Temperature: -25°C to +85°C
 Insulation Material: UL 94V-0 LCP



APPLICABLE FPC



RECOMMENDED PCB LAYOUT

No. Of PIN/ROW	Dimension Information			No. Of PIN/ROW	Dimension Information		
	A	B	C		A	B	C
04	3.00	5.06	11.00	23	22.00	24.06	30.00
05	4.00	6.06	12.00	24	23.00	25.06	31.00
06	5.00	7.06	13.00	25	24.00	26.06	32.00
07	6.00	8.06	14.00	26	25.00	27.06	33.00
08	7.00	9.06	15.00	27	26.00	28.06	34.00
09	8.00	10.06	16.00	28	27.00	29.06	35.00
10	9.00	11.06	17.00	29	28.00	30.06	36.00
11	10.00	12.06	18.00	30	29.00	31.06	37.00
12	11.00	13.06	19.00	31	30.00	32.06	38.00
13	12.00	14.06	20.00	32	31.00	33.06	39.00
14	13.00	15.06	21.00	33	32.00	34.06	40.00
15	14.00	16.06	22.00	34	33.00	35.06	41.00
16	15.00	17.06	23.00	35	34.00	36.06	42.00
17	16.00	18.06	24.00	36	35.00	37.06	43.00
18	17.00	19.06	25.00	37	36.00	38.06	44.00
19	18.00	20.06	26.00	38	37.00	39.06	45.00
20	19.00	21.06	27.00	39	38.00	40.06	46.00
21	20.00	22.06	28.00	40	39.00	41.06	47.00
22	21.00	23.06	29.00				

Ordering Information

CFCD108 -

No. of Pins per Row

Standard Plating

: Gold Flash

Selective Plating

: Tin

: Gold Flash/Tin

A005F

Color

: Black

A

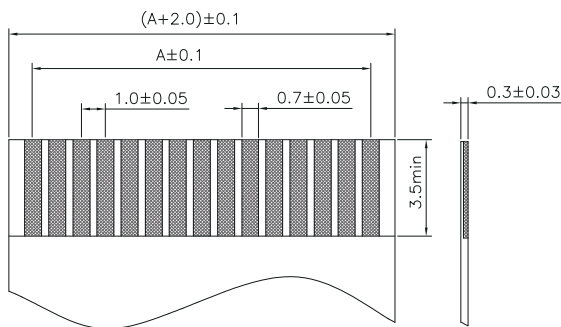
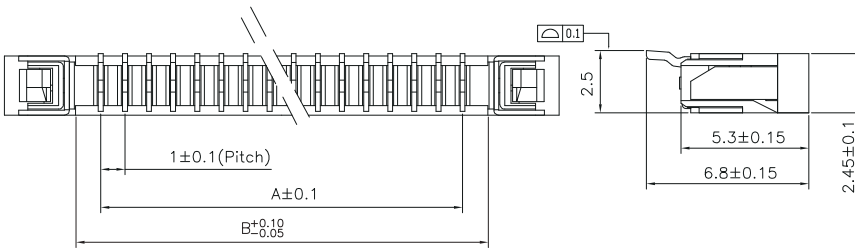
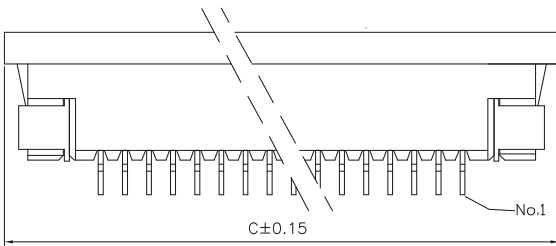
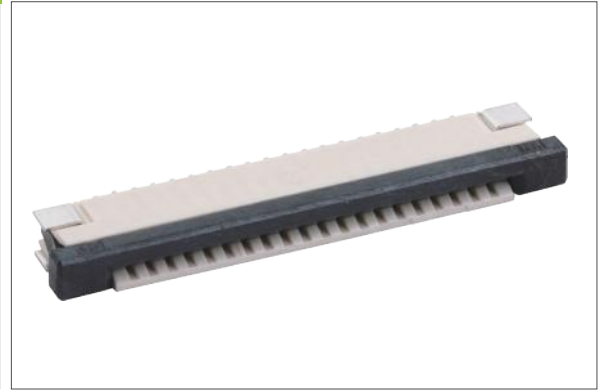
Standard Packing

: Tube



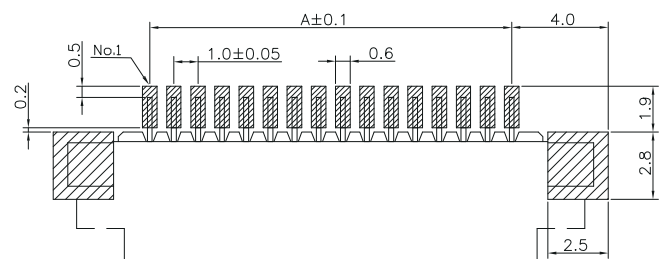
CFCD108-A006C

Current Rating: 1.0A
 Dielectric Withstanding Voltage: 500V/AC
 Contact Resistance: 30mΩ Max.
 Insulation Resistance: 500MΩ Min.
 Operating Temperature: -25°C to +85°C
 Insulation Material: UL 94V-0 LCP



APPLICABLE FPC

No. Of PIN/ROW	Dimension Information			No. Of PIN/ROW	Dimension Information		
	A	B	C		A	B	C
04	3.00	5.06	11.00	23	22.00	24.06	30.00
05	4.00	6.06	12.00	24	23.00	25.06	31.00
06	5.00	7.06	13.00	25	24.00	26.06	32.00
07	6.00	8.06	14.00	26	25.00	27.06	33.00
08	7.00	9.06	15.00	27	26.00	28.06	34.00
09	8.00	10.06	16.00	28	27.00	29.06	35.00
10	9.00	11.06	17.00	29	28.00	30.06	36.00
11	10.00	12.06	18.00	30	29.00	31.06	37.00
12	11.00	13.06	19.00	31	30.00	32.06	38.00
13	12.00	14.06	20.00	32	31.00	33.06	39.00
14	13.00	15.06	21.00	33	32.00	34.06	40.00
15	14.00	16.06	22.00	34	33.00	35.06	41.00
16	15.00	17.06	23.00	35	34.00	36.06	42.00
17	16.00	18.06	24.00	36	35.00	37.06	43.00
18	17.00	19.06	25.00	37	36.00	38.06	44.00
19	18.00	20.06	26.00	38	37.00	39.06	45.00
20	19.00	21.06	27.00	39	38.00	40.06	46.00
21	20.00	22.06	28.00	40	39.00	41.06	47.00
22	21.00	23.06	29.00				



RECOMMENDED PCB LAYOUT

Ordering Information

CFCD108 -

No. of Pins per Row

Standard Plating

: Tin

Selective Plating

: Matte Tin

A006C

Color

: Black

: White

A

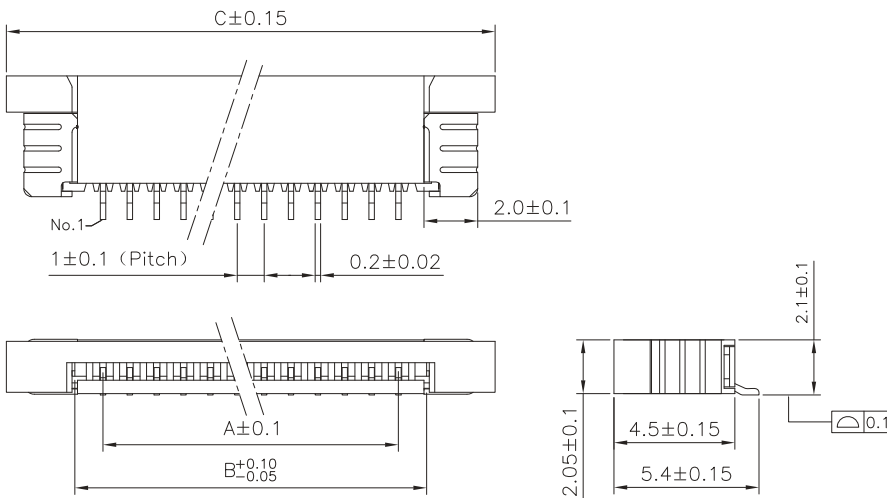
Standard Packing

: Tape&Reel

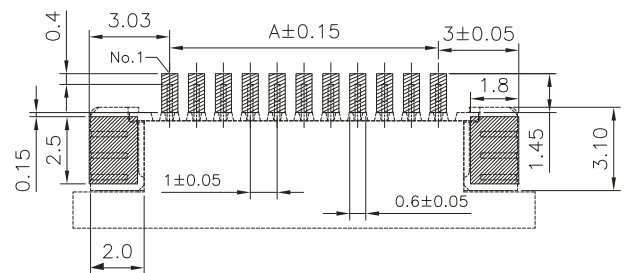
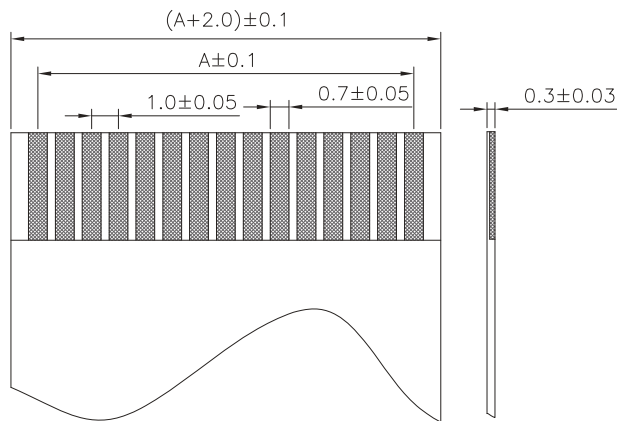


CFCD108-A009C

Current Rating: 1.0A
 Dielectric Withstanding Voltage: 500V/AC
 Contact Resistance: 30mΩ Max.
 Insulation Resistance: 500MΩ Min.
 Operating Temperature: -25°C to +85°C
 Insulation Material: UL 94V-0 Nylon



No. Of PIN/ROW	Dimension Information		
	A	B	C
20	19.00	21.06	26.9
21	20.00	22.06	27.9
22	21.00	23.06	28.9
23	22.00	24.06	29.9
24	23.00	25.06	30.9
25	24.00	26.10	31.9
26	25.00	27.06	32.9
27	26.00	28.06	33.9
28	27.00	29.06	34.9
29	28.00	30.06	35.9



APPLICABLE FPC

RECOMMENDED PCB LAYOUT

Ordering Information

CFCD108 -

No. of Pins per Row

Standard Plating

: Tin

Selective Plating

: Matte Tin

A009C

Color

: White

A

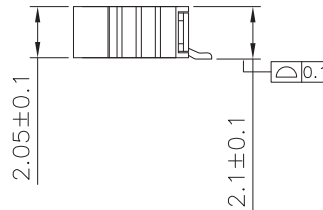
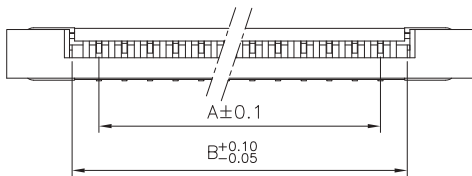
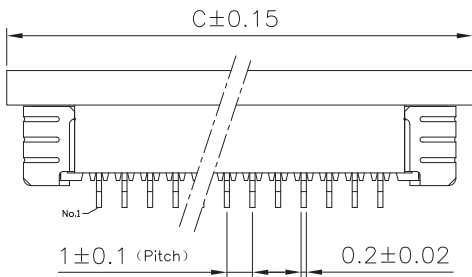
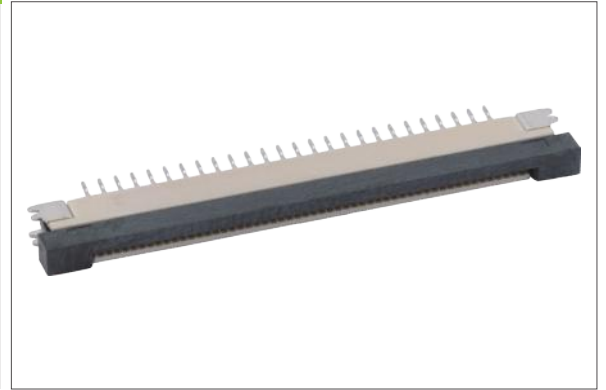
Standard Packing

: Tube

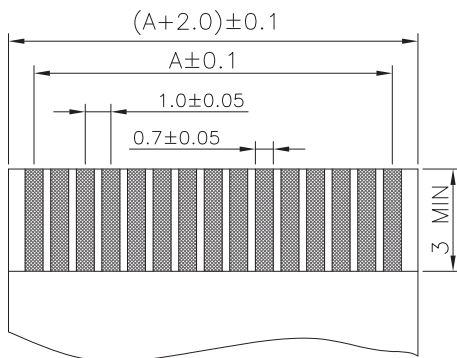


CFCD108-A010F

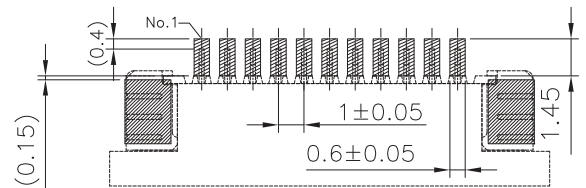
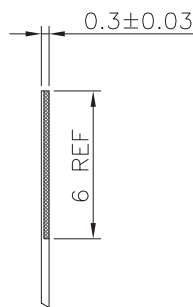
Current Rating: 1.0A
 Dielectric Withstanding Voltage: 500V/AC
 Contact Resistance: 30mΩ Max.
 Insulation Resistance: 200MΩ Min.
 Operating Temperature: -25°C to +85°C
 Insulation Material: UL 94V-0 PA-6T



No. Of PIN/ROW	Dimension Information			No. Of PIN/ROW	Dimension Information		
	A	B	C		A	B	C
02	1.00	3.06	8.20	16	15.00	17.06	22.20
03	2.00	4.06	9.20	17	16.00	18.06	23.20
04	3.00	5.06	10.20	18	17.00	19.06	24.20
05	4.00	6.06	11.20	19	18.00	20.06	25.20
06	5.00	7.06	12.20	20	19.00	21.06	26.90
07	6.00	8.06	13.20	21	20.00	22.06	27.90
08	7.00	9.06	14.20	22	21.00	23.06	28.90
09	8.00	10.06	15.20	23	22.00	24.06	29.90
10	9.00	11.06	16.20	24	23.00	25.06	30.90
11	10.00	12.06	17.20	25	24.00	26.06	31.90
12	11.00	13.06	18.20	26	25.00	27.06	32.90
13	12.00	14.06	19.20	27	26.00	28.06	33.90
14	13.00	15.06	20.20	28	27.00	29.06	34.90
15	14.00	16.06	21.20	29	28.00	30.06	35.90



APPLICABLE FPC



RECOMMENDED PCB LAYOUT

Ordering Information

CFCD108 -

No. of Pins per Row

Standard Plating

: Tin

Selective Plating

: Matte Tin

A010F

Color

: Black

: White

A

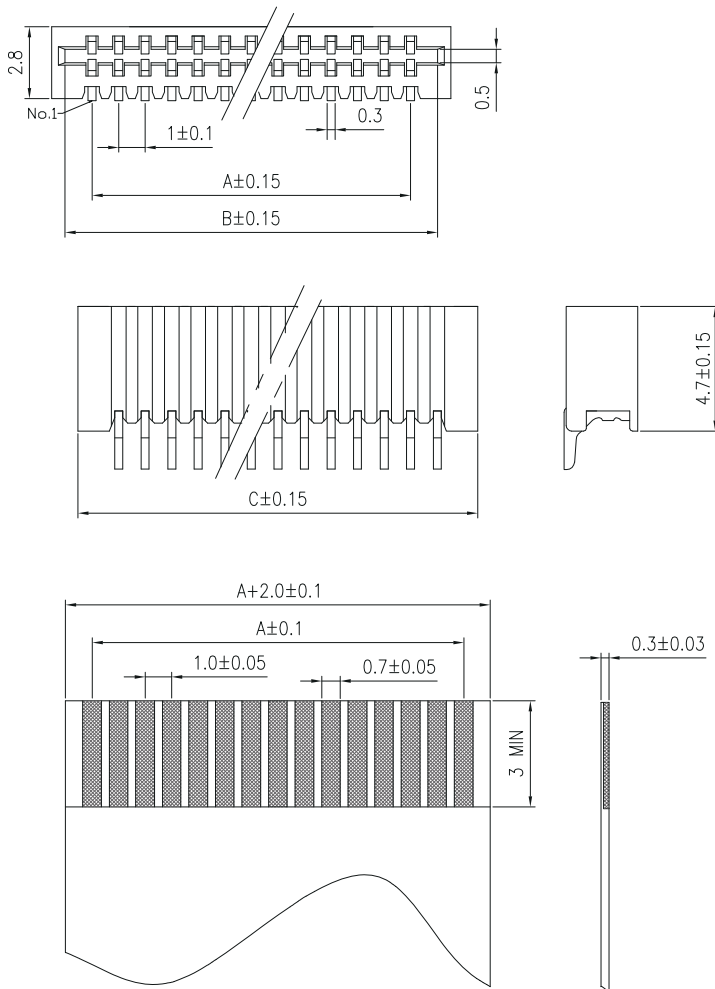
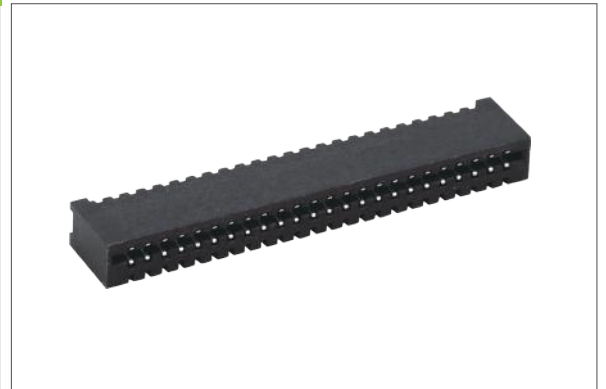
Standard Packing

: Tube

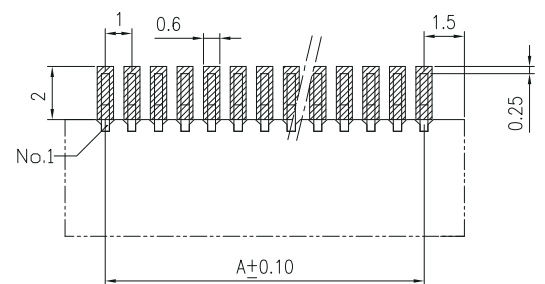


CFCD112-A001D

Current Rating: 1.0A
 Dielectric Withstanding Voltage: 500V/AC
 Contact Resistance: 30mΩ Max.
 Insulation Resistance: 500MΩ Min.
 Operating Temperature: -25°C to +85°C
 Insulation Material: UL 94V-0 PA9T



No. of PIN/ROW	Dimension Information			No. of PIN/ROW	Dimension Information		
	A	B	C		A	B	C
04	3	5.06	6	23	22	24.06	25
05	4	6.06	7	24	23	25.06	26
06	5	7.06	8	25	24	26.06	27
07	6	8.06	9	26	25	27.06	28
08	7	9.06	10	27	26	28.06	29
09	8	10.06	11	28	27	29.06	30
10	9	11.06	12	29	28	30.06	31
11	10	12.06	13	30	29	31.06	32
12	11	13.06	14	31	30	32.06	33
13	12	14.06	15	32	31	33.06	34
14	13	15.06	16	33	32	34.06	35
15	14	16.06	17	34	33	35.06	36
16	15	17.06	18	35	34	36.06	37
17	16	18.06	19	36	35	37.06	38
18	17	19.06	20	37	36	38.06	39
19	18	20.06	21	38	37	39.06	40
20	19	21.06	22	39	38	40.06	41
21	20	22.06	23	40	39	41.06	42
22	21	23.06	24				



APPLICABLE FPC

RECOMMENDED PCB LAYOUT

Ordering Information

CFCD112 -

No. of Pins per Row

Standard Plating

: Gold Flash

Selective Plating

: Tin

: Gold Flash/Tin

A001F

Color

: Black

A

Standard Packing

: Tube

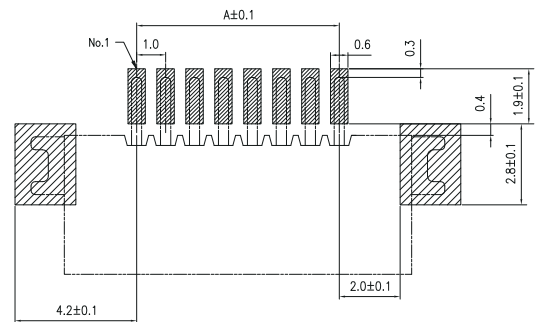
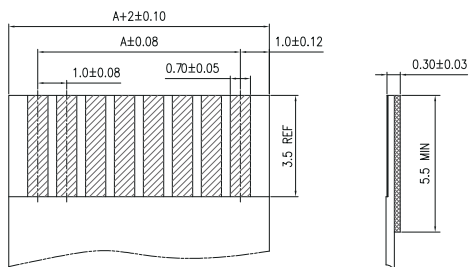
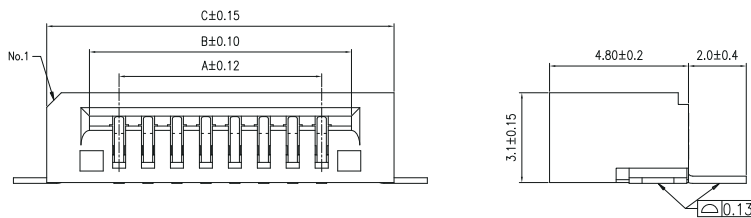
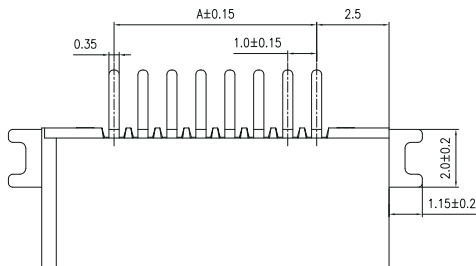


CFCD114-A020B

Current Rating: 0.5A
 Dielectric Withstanding Voltage: 500V/AC
 Contact Resistance: 30mΩ Max.
 Insulation Resistance: 500MΩ Min.
 Operating Temperature: -25°C to +85°C
 Insulation Material: UL 94V-0 PA6T



No. Of PIN/ROW	Dimension Information		
	A	B	C
05	4.00	6.05	9.00
06	5.00	7.05	10.00
08	7.00	9.05	12.00
17	16.00	18.05	21.00
30	29.00	31.05	34.00



RECOMMENDED PCB LAYOUT

Ordering Information

CFCD114 -

No. of Pins per Row

Standard Plating

: Gold Flash

Selective Plating

: Tin

: Gold Flash/Tin

A020B

Color

: Black

: White

A

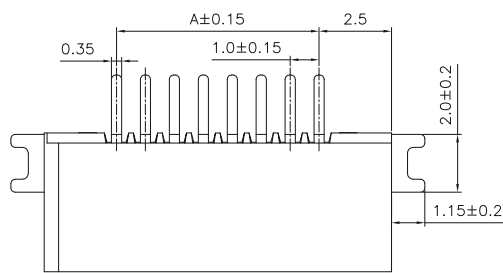
Standard Packing

: Tape&Reel

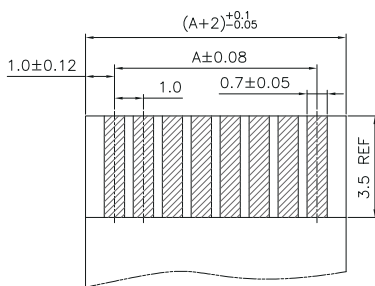
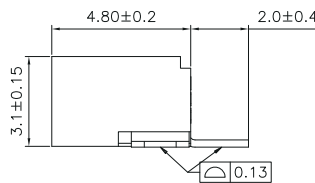
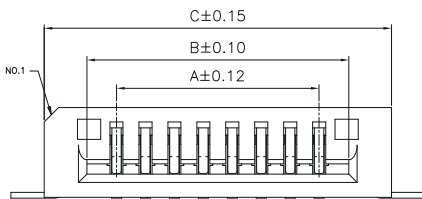


CFCD114-A021B

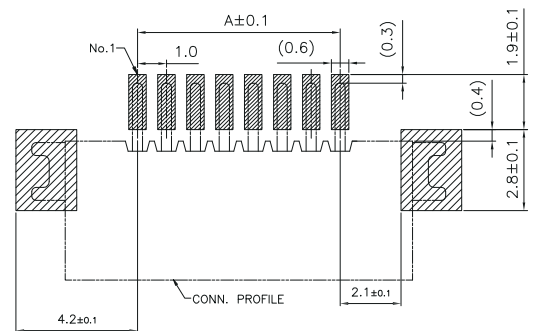
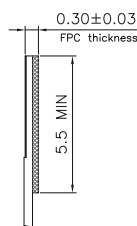
Current Rating: 0.5A
 Dielectric Withstanding Voltage: 500V/AC
 Contact Resistance: 30mΩ Max.
 Insulation Resistance: 100MΩ Min.
 Operating Temperature: -25°C to +85°C
 Insulation Material: UL 94V-0 Nylon 6T



No. of Pins/Row	Dimension Information		
	A	B	C
05	4.00	6.05	9.00
06	5.00	7.05	10.00
08	7.00	9.05	12.00
17	16.00	18.05	21.00
30	29.00	31.05	34.00



APPLICABLE FPC



RECOMMENDED PCB LAYOUT

Ordering Information

CFCD114 -

No. of Pins per Row

[See Table](#)

Standard Plating

: Gold Flash

Selective Plating

: Tin

: Gold Flash/Tin

A021B

Color

: Black

: White

A

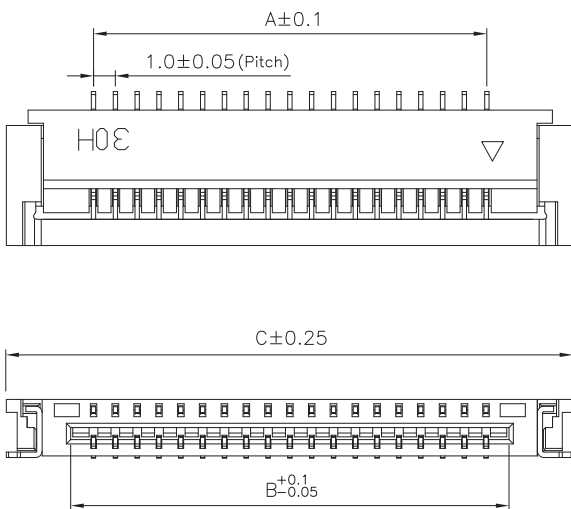
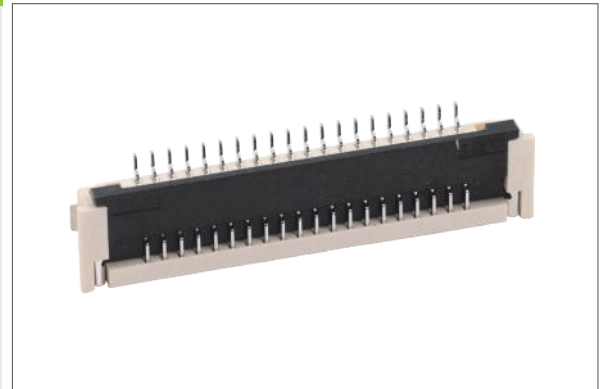
Standard Packing

: Tape&Reel

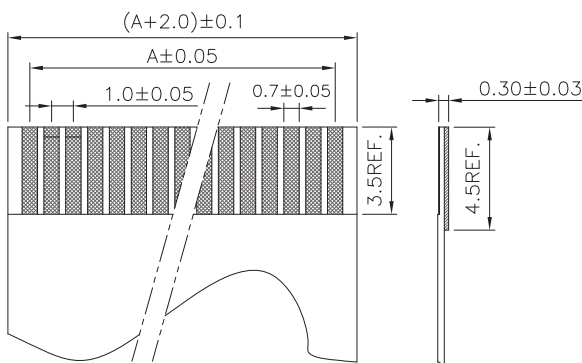
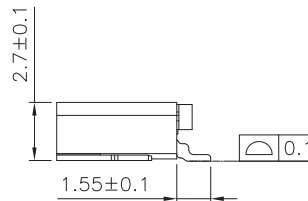


CFCD150-A042C

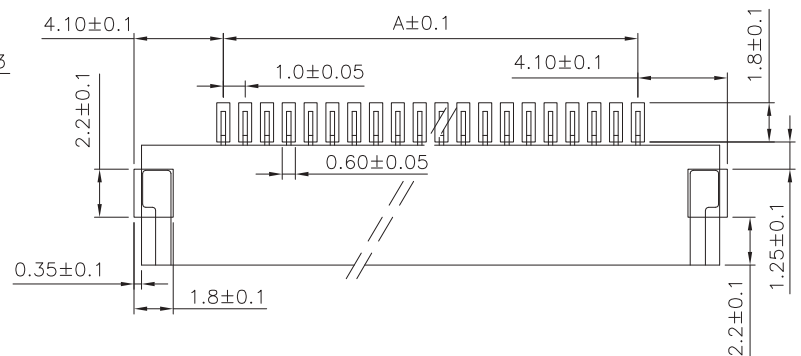
Current Rating: 0.5A
 Dielectric Withstanding Voltage: 500V/AC
 Contact Resistance: 30mΩ Max.
 Insulation Resistance: 500MΩ Min.
 Operating Temperature: -25°C to +85°C
 Insulation Material: UL 94V-0 LCP



No. of Pins/Row	Dimension Information		
	A	B	C
04	3.00	5.06	11.00
05	4.00	6.06	12.00
06	5.00	7.06	13.00
07	6.00	8.06	14.00
08	7.00	9.06	15.00
10	9.00	11.06	17.00
20	19.00	21.06	27.00
30	29.00	31.06	37.00



APPLICABLE FPC



RECOMMENDED PCB LAYOUT

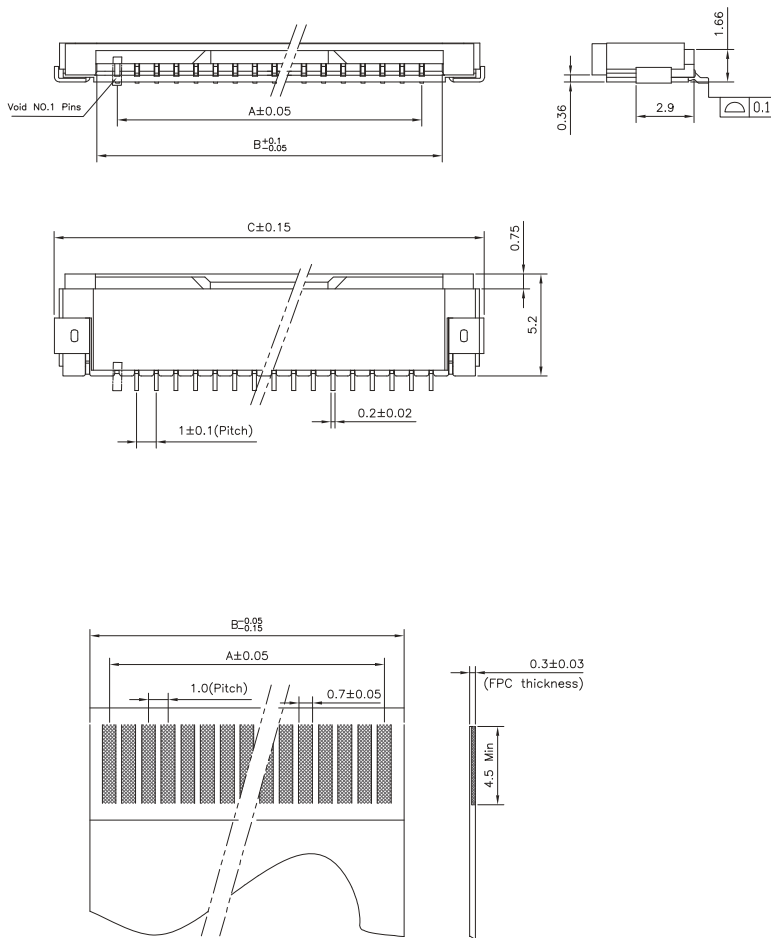
Ordering Information

CFCD150 - A042C A
 No. of Pins per Row Standard Plating Color Standard Packing
 : Tin : White : Tube



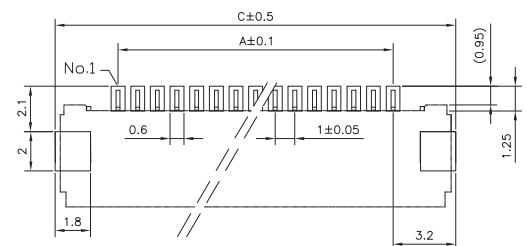
CFCD150-A650D

Current Rating: 0.5A
 Dielectric Withstanding Voltage: 500V/AC
 Contact Resistance: 30mΩ Max.
 Insulation Resistance: 500MΩ Min.
 Operating Temperature: -25°C to +85°C
 Insulation Material: UL 94V-0 PA9T



APPLICABLE FPC

No. of Pins/Row	Dimension Information		
	A	B	C
02	1.00	3.10	7.40
03	2.00	4.10	8.40
04	3.00	5.10	9.40
05	4.00	6.10	10.40
06	5.00	7.10	11.40
07	6.00	8.10	12.40
08	7.00	9.10	13.40
09	8.00	10.10	14.40
10	9.00	11.10	15.40
11	10.00	12.10	16.40
12	11.00	13.10	17.40
13	12.00	14.10	18.40
14	13.00	15.10	19.40
15	14.00	16.10	20.40
16	15.00	17.10	21.40
17	16.00	18.10	22.40
18	17.00	19.10	23.40
19	18.00	20.10	24.40
20	19.00	21.10	25.40
21	20.00	22.10	26.40
22	21.00	23.10	27.40
23	22.00	24.10	28.40
24	23.00	25.10	29.40
25	24.00	26.10	30.40
26	25.00	27.10	31.40
27	26.00	28.10	32.40
28	27.00	29.10	33.40
29	28.00	30.10	34.40



RECOMMENDED PCB LAYOUT

Ordering Information

CFCD150 -

No. of Pins per Row

Standard Plating

: Tin

A650D

Color

: White

A

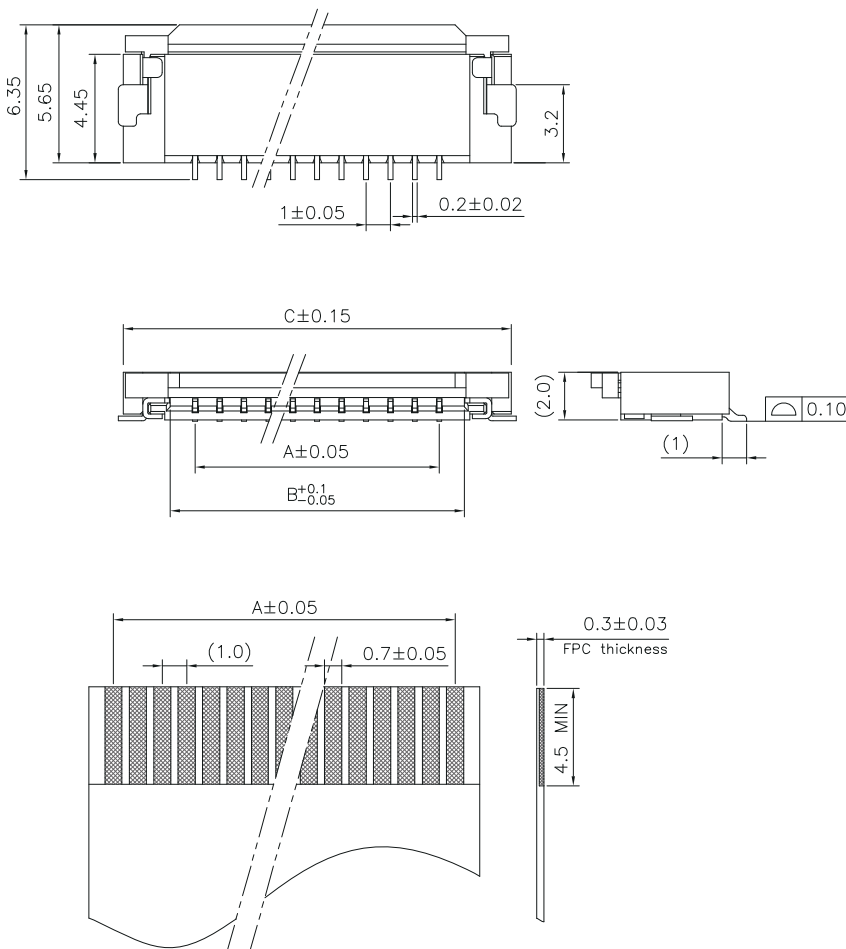
Standard Packing

: Tube



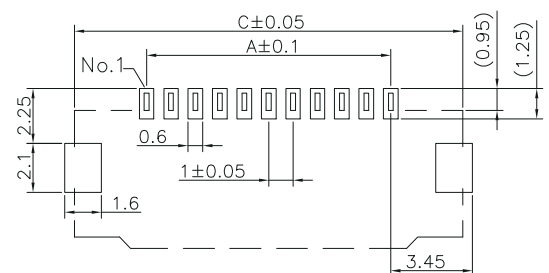
CFCD155-A001C

Dielectric Withstanding Voltage: 500V/AC
 Contact Resistance: 30mΩ Max.
 Insulation Resistance: 500MΩ Min.
 Operating Temperature: -25°C to +85°C
 Insulation Material: UL 94V-0 LCP



APPLICABLE FPC

No. of Pins/Row	Dimension Information			No. of Pins/Row	Dimension Information		
	A	B	C		A	B	C
03	2.00	4.06	7.90	18	17.00	19.06	22.90
04	3.00	5.06	8.90	19	18.00	20.06	23.90
05	4.00	6.06	9.90	20	19.00	21.06	24.90
06	5.00	7.06	10.90	21	20.00	22.06	25.90
07	6.00	8.06	11.90	22	21.00	23.06	26.90
08	7.00	9.06	12.90	23	22.00	24.06	27.90
09	8.00	10.06	13.90	24	23.00	25.06	28.90
10	9.00	11.06	14.90	25	24.00	26.06	29.90
11	10.00	12.06	15.90	26	25.00	27.06	30.90
12	11.00	13.06	16.90	27	26.00	28.06	31.90
13	12.00	14.06	17.90	28	27.00	29.06	32.90
14	13.00	15.06	18.90	29	28.00	30.06	33.90
15	14.00	16.06	19.90	30	29.00	31.06	34.90
16	15.00	17.06	20.90	31	30.00	32.06	35.90
17	16.00	18.06	21.90	32	31.00	33.06	36.90



RECOMMENDED PCB LAYOUT

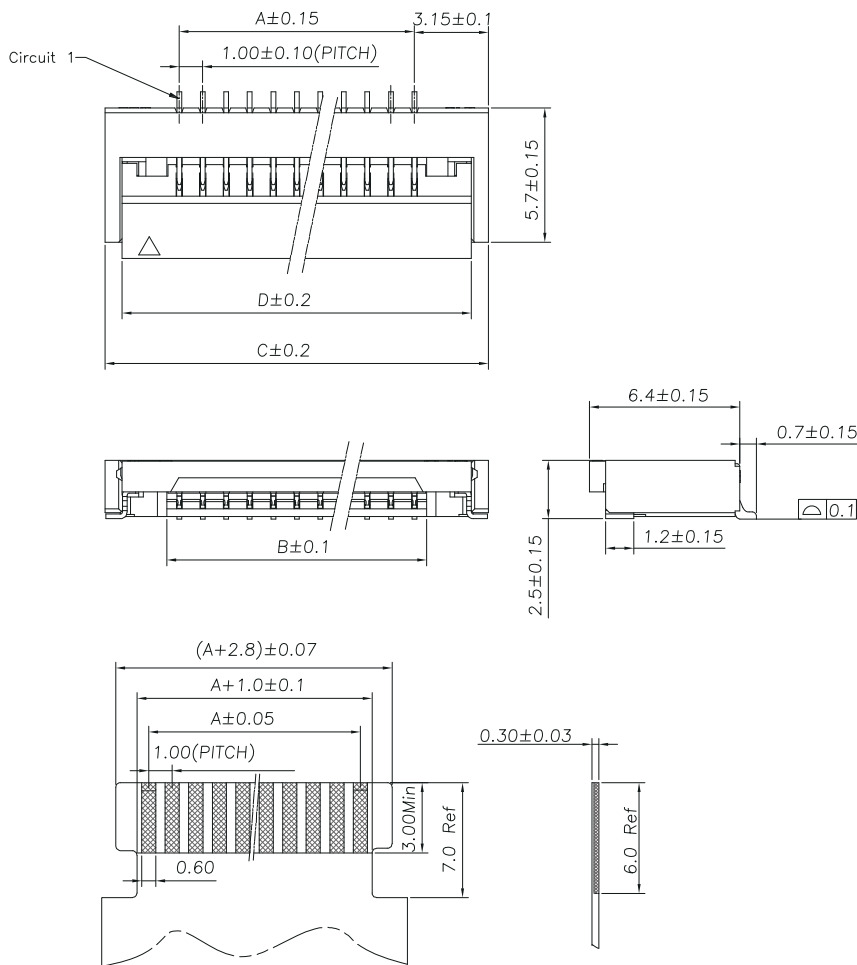
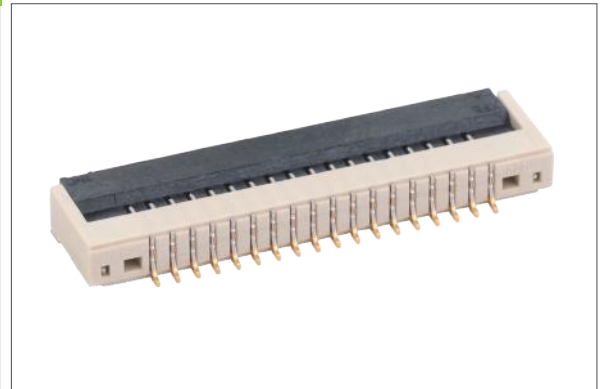
Ordering Information

CFCD155 - A001C S
 No. of Pins per Row: Standard Plating: Color: Standard Packing:

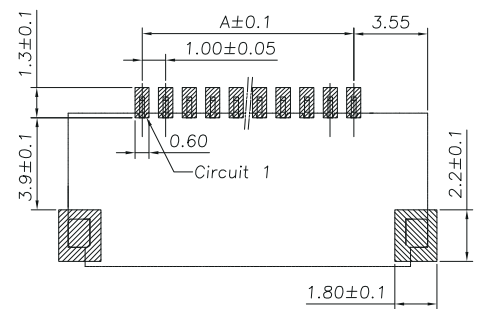


CFCD158-A001C

Current Rating: 1.0A
 Dielectric Withstanding Voltage: 500V/AC
 Contact Resistance: 30mΩ Max.
 Insulation Resistance: 500MΩ Min.
 Operating Temperature: -40°C to +85°C
 Insulation Material: UL 94V-0 LCP



No. of PINS/Row	Dimension Information			
	A	B	C	D
04	3.00	4.10	9.30	7.90
06	5.00	6.10	11.30	9.90
08	7.00	8.10	13.30	11.90
10	9.00	10.10	15.30	13.90
12	11.00	12.10	17.30	15.90
15	14.00	15.10	20.30	18.90
16	15.00	16.10	21.30	19.90
18	17.00	18.10	23.30	21.90
20	19.00	20.10	25.30	23.90
24	23.00	24.10	29.30	27.90
30	29.00	30.10	35.30	33.90
32	31.00	32.10	37.30	35.90
40	39.00	40.10	45.30	43.90



APPLICABLE FPC

RECOMMENDED PCB LAYOUT

Ordering Information

CFCD158 -

No. of Pins per Row

See Table

Standard Plating

: Gold Flash

Selective Plating

: Gold 3U"

A001C

Color

: White

S

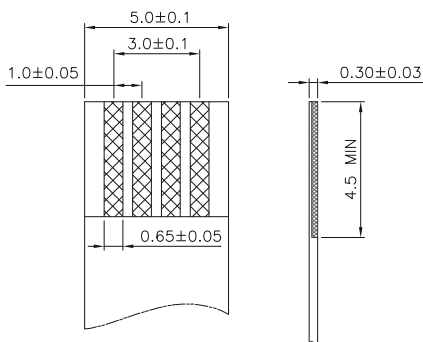
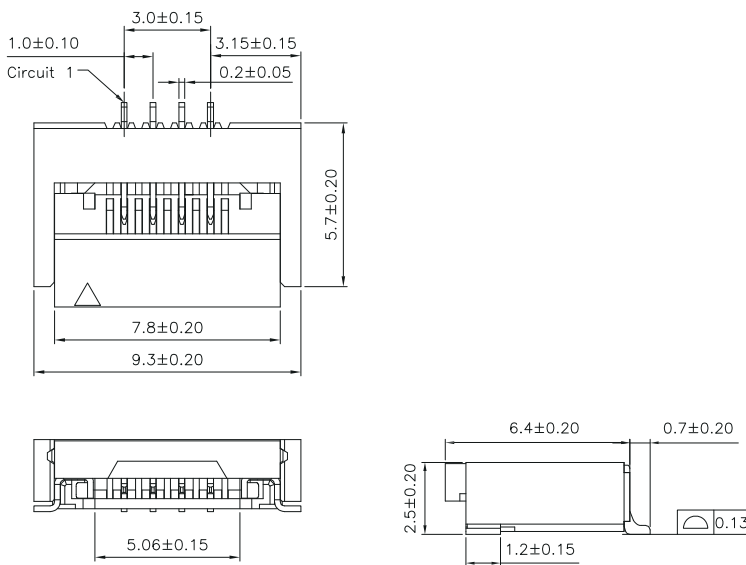
Standard Packing

: Tape&Reel

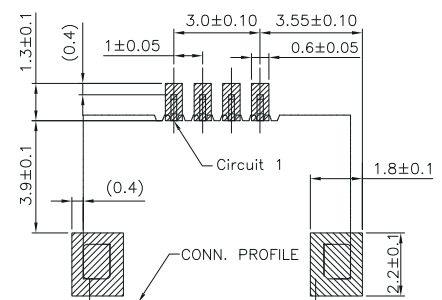


CFCD163-A001C

Current Rating: 0.5A
 Dielectric Withstanding Voltage: 500V/AC
 Contact Resistance: 30mΩ Max.
 Insulation Resistance: 500MΩ Min.
 Operating Temperature: -25°C to +85°C
 Insulation Material: UL 94V-0 LCP



APPLICABLE FPC



RECOMMENDED PCB LAYOUT

Ordering Information

CFCD155 - 04

Standard Plating

09 : Gold 3U"

Selective Plating

02 : Gold Flash

A001C

Color

1 : Black

2 : White

S

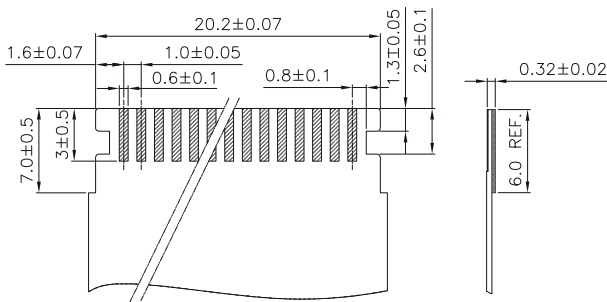
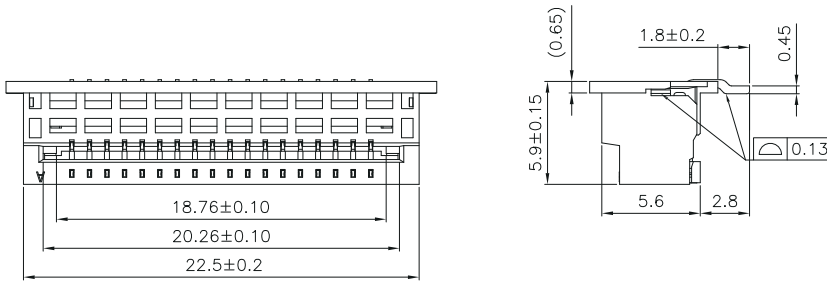
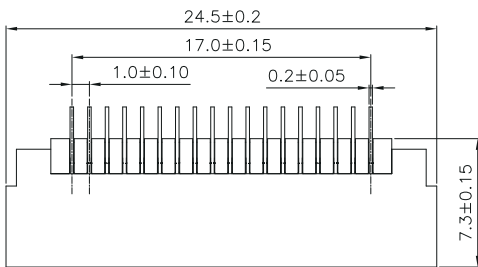
Standard Packing

D : Tape&Reel

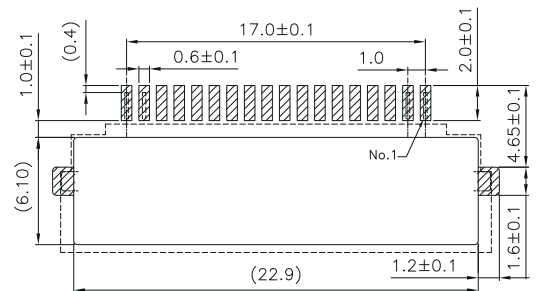


CFCD164-A001C

Current Rating: 1.0A
 Dielectric Withstanding Voltage: 500V/AC
 Contact Resistance: 30mΩ Max.
 Insulation Resistance: 100MΩ Min.
 Operating Temperature: -40°C to +105°C
 Insulation Material: UL 94V-0 LCP



APPLICABLE FPC



RECOMMENDED PCB LAYOUT

Ordering Information

CFCD164 - 18



Standard Plating

02 : Gold Flash

Selective Plating

01 : Tin

05 : Gold Flash/Tin

A001C

Color

1 : Black

2 : White

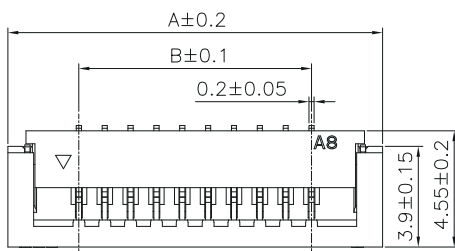
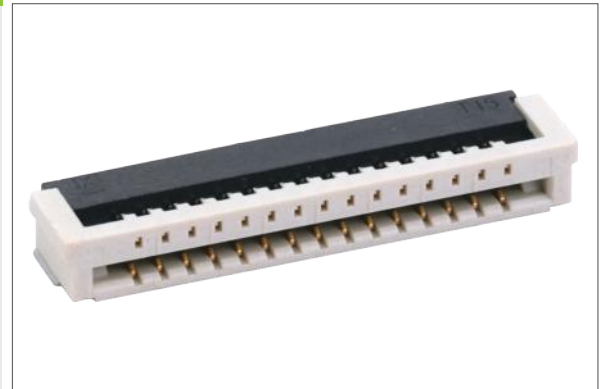
A

Standard Packing

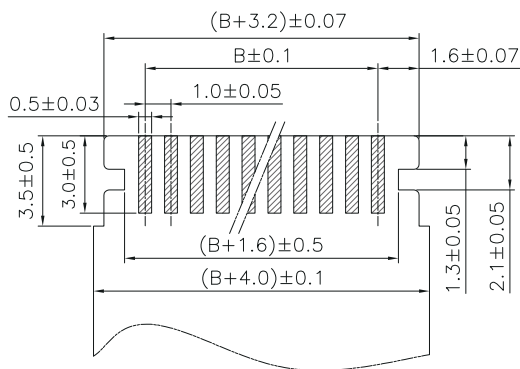
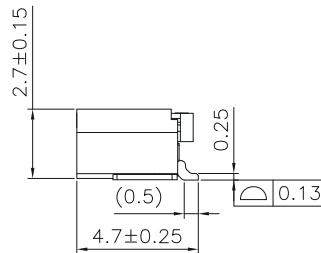
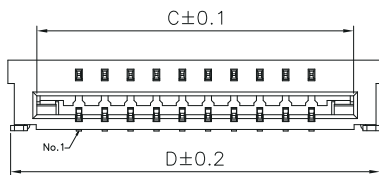
D : Tape&Reel

CFCD165-A001C

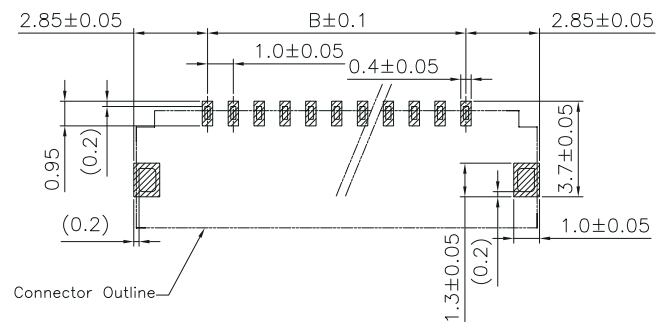
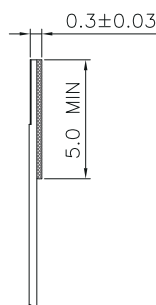
Current Rating: 0.5A
 Dielectric Withstanding Voltage: 500V/AC
 Contact Resistance: 30mΩ Max.
 Insulation Resistance: 500MΩ Min.
 Operating Temperature: -40°C to +85°C
 Insulation Material: UL 94V-0 LCP



No. of Pins/Row	Dimension Information			
	A	B	C	D
06	10.50	5.00	8.26	10.30
08	12.50	7.00	10.26	12.30
10	14.50	9.00	12.26	14.30
15	19.50	14.00	17.26	19.30
20	24.50	19.00	22.26	24.30



APPLICABLE FPC



RECOMMENDED PCB LAYOUT

Ordering Information

CFCD165 -

No. of Pins per Row

See Table

Standard Plating

: Gold Flash

Selective Plating

: Tin

: Gold Flash/Tin

A001C

Color

: Black

: White

A

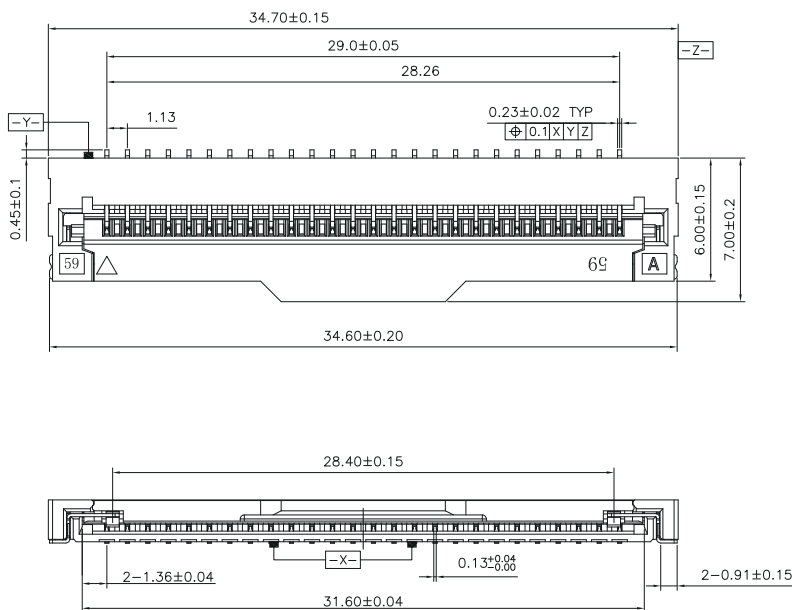
Standard Packing

: Tape&Reel



CFCD168-A001C

Current Rating: 1.0A
 Dielectric Withstanding Voltage: 500V/AC
 Contact Resistance: 30mΩ Max.
 Insulation Resistance: 500MΩ Min.
 Operating Temperature: -40°C to +105°C
 Insulation Material: UL 94V-0 LCP



Ordering Information

CFCD168 - 30

XX

Standard Plating

01 : Tin

A001C

X

Color

2 : White

A

X

Standard Packing

C : Tube





Asia

Jiangxi / Production Center

☎ + 86 - 797 - 6635 510

☎ + 86 - 797 - 6635 653

Shenzhen / Sales & Service

☎ + 86 - 755 - 2707 0050

☎ + 86 - 755 - 2707 0056

Kunshan / Sales & Service

☎ + 86 - 512 - 5782 5636

☎ + 86 - 512 - 5031 6595

Taipei / Sales & Service

☎ + 886 - 2 - 2209 1343

☎ + 886 - 2 - 2903 0754

Nanjing / Direct Sales Office

☎ + 86 - 512 - 5782 5636

☎ + 86 - 512 - 5031 6595

Chengdu / Direct Sales Office

☎ + 86 - 755 - 2707 0050

☎ + 86 - 755 - 2707 0056

America

Toronto / Direct Sales Office

☎ +1 - 704 - 493 - 1478



www.greenconn.com
sales@greenconn.com

