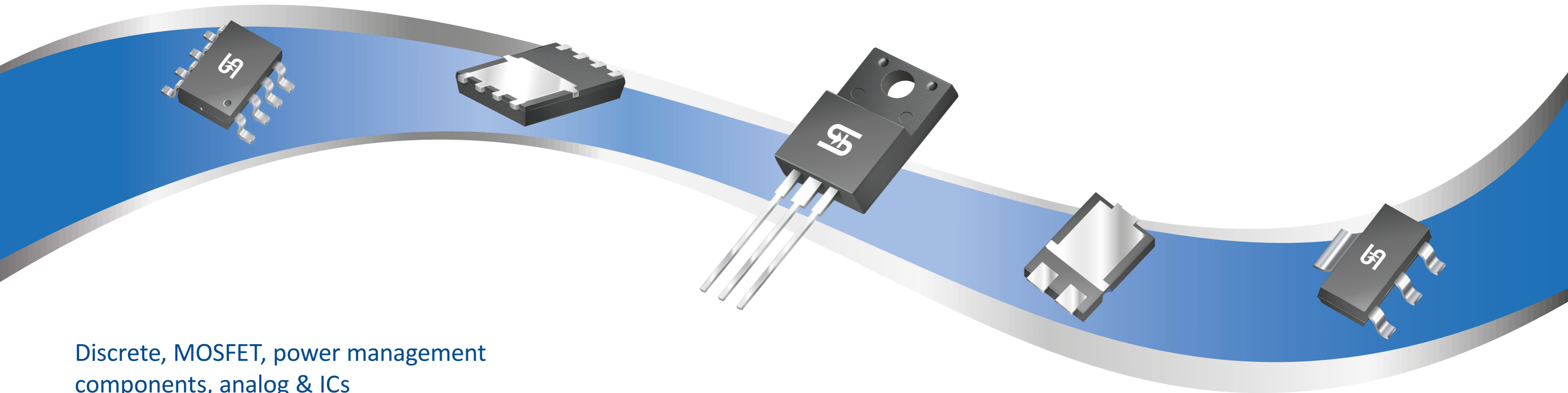


# SELECTION GUIDE

2023 11th EDITION



Discrete, MOSFET, power management  
components, analog & ICs

[www.taiwansemi.com](http://www.taiwansemi.com)

©2023 Taiwan Semiconductor, released in September 2023.

# Introduction

We are presenting the 11th edition of the Taiwan Semiconductor Selection Guide. In this version, all our rectifiers & diodes, bridge rectifiers, circuit protection devices, bipolar transistors, MOSFET and ICs are all collected in one consolidated to support you in finding the best product for your design.

Our extensive product portfolio encompasses a diverse array of general-purpose semiconductor devices, including those engineered to meet the rigorous standards established by the automotive industry. These devices are housed within some of the most advanced and industry-leading small packages, seamlessly blending power and thermal efficiency with uncompromising quality.

At Taiwan Semiconductor, we understand that our customers place a premium on both product reliability and a consistently dependable supply chain. That's why we specialize in the production of consistently reliable semiconductor components at scale. We employ rigorous measures at every stage of our manufacturing processes to guarantee the long-term availability of our products, ensuring a secure and trustworthy supply for all our customers.

With a rich history and extensive experience, we stand ready to provide you with dedicated in-house technical support. Our comprehensive range of resources, from user-friendly selection aids to intuitive design tools and valuable application insights, is designed to streamline your product development process and enhance efficiency across your designs.

## About Taiwan Semiconductor

Taiwan Semiconductor, a global manufacturer of discrete semiconductor devices and analog ICs over 1,600 employees, was founded in Taipei in 1979. We started as a specialist in diodes and bridge rectifiers, and now also offer a broad product portfolio of MOSFETs, LED drivers and voltage regulators. Today, our focus is centered on market established technologies and packages.

## Product Portfolio

### Discrete Devices

#### Rectifiers

- > Small signal and power discrete devices spanning Standard, Schottky, fast recovery rectifiers and more which reduce both AC and DC losses in the target applications. The devices are all offered in industry standard packages.

#### Protection Diodes

- > ESD and TVS protection devices which are designed to meet global requirements for regulatory compliance. Offering protection from the application of transients, surges and ESD events.

#### MOSFETs

- > A wide range of low, medium, and high voltage devices in industry standard packages offered with compelling FOM – Figure of Merit specifications.

#### Bipolar Transistors

- > Industry standard small signal devices are available in standard packages to allow drop-in replacement, in switching, amplification and oscillator circuits.

#### Small-signal Products

- > Bipolar small signal diodes, MOSFETs and bipolar transistors in industry standard packages.

### Power Management IC's

#### Amplifier & Comparator

- > Industry standard op amps and comparators in standard packages

#### Voltage Regulators

- > Industry standard regulators, LDO's and innovative low Iq and wide input range regulators.

#### LED Drivers

- > Linear and switching LED drivers for automotive and industrial-commercial applications

#### Voltage References

- > Industry standard drop in devices

### Sensor Devices

#### Magnetic Sensors

- > Hall effect linear device to measure positional information on hydraulic and pneumatic actuators.

### Wide Bandgap Semiconductor

#### GaN Transistors

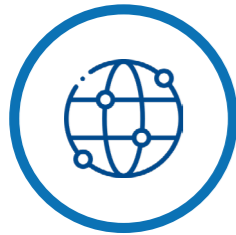
- > GaN power switching devices.

# Our core competencies



## PORTFOLIO

Broad product portfolio for solutions in all segments & customization ability.



## CAPABILITY

World class manufacturing capabilities & scalability with ISO standards, and audits, including the following:

- > ISO 9001
- > IAFT 16949
- > ISO 14001
- > ISO 45001



## SERVICE

Fast response, individual global & regional support with customer service, sales, FAE & quality functions.



## AUTOMOTIVE

We qualify our products according to the automotive AEC-Q100/Q101 standard and testing with auto grade requirements.



## RELIABILITY

Reliable products with consistent quality & design to cost solutions.



## SUSTAINABILITY

We have been committed to environmental sustainability since 1998. All of our facilities comply with ISO 16064, greenhouse gas emissions at reasonable assurance levels. All the products are designed with Pb-free, RoHS compliant and Halogen-free.



# Contents

## DISCRETE.....6

### RECTIFIER.....7

#### SCHOTTKY RECTIFIER.....7

SCHOTTKY RECTIFIER ( $I_{F(AV)}$ : 0.5A-1A) ..... 7

SCHOTTKY RECTIFIER ( $I_{F(AV)}$ : 1A) ..... 8

SCHOTTKY RECTIFIER ( $I_{F(AV)}$ : 1A-2A) ..... 9

SCHOTTKY RECTIFIER ( $I_{F(AV)}$ : 2A-3A) ..... 10

SCHOTTKY RECTIFIER ( $I_{F(AV)}$ : 3A) ..... 11

SCHOTTKY RECTIFIER ( $I_{F(AV)}$ : 3A-5A) ..... 12

SCHOTTKY RECTIFIER ( $I_{F(AV)}$ : 5A-7.5A) ..... 13

SCHOTTKY RECTIFIER ( $I_{F(AV)}$ : 7.5A-8A) ..... 14

SCHOTTKY RECTIFIER ( $I_{F(AV)}$ : 8A-10A) ..... 15

SCHOTTKY RECTIFIER ( $I_{F(AV)}$ : 10A) ..... 16

SCHOTTKY RECTIFIER ( $I_{F(AV)}$ : 10A-15A) ..... 18

SCHOTTKY RECTIFIER ( $I_{F(AV)}$ : 15A-16A) ..... 19

SCHOTTKY RECTIFIER ( $I_{F(AV)}$ : 16A) ..... 20

SCHOTTKY RECTIFIER ( $I_{F(AV)}$ : 16A-20A) ..... 21

SCHOTTKY RECTIFIER ( $I_{F(AV)}$ : 20A) ..... 22

SCHOTTKY RECTIFIER ( $I_{F(AV)}$ : 20A-25A) ..... 24

SCHOTTKY RECTIFIER ( $I_{F(AV)}$ : 25A-30A) ..... 25

SCHOTTKY RECTIFIER ( $I_{F(AV)}$ : 30A-40A) ..... 26

SCHOTTKY RECTIFIER ( $I_{F(AV)}$ : 40A-60A) ..... 27

#### BRIDGE ..... 28

STANDARD BRIDGE ..... 28

STANDARD BRIDGE ( $I_{F(AV)}$ : 0.8A-1.5A) ..... 28

STANDARD BRIDGE ( $I_{F(AV)}$ : 1.5A-2A) ..... 29

STANDARD BRIDGE ( $I_{F(AV)}$ : 2A-4A) ..... 30

STANDARD BRIDGE ( $I_{F(AV)}$ : 4A-6A) ..... 31

STANDARD BRIDGE ( $I_{F(AV)}$ : 6A-10A) ..... 32

STANDARD BRIDGE ( $I_{F(AV)}$ : 10A-15A) ..... 33

STANDARD BRIDGE ( $I_{F(AV)}$ : 15A-25A) ..... 34

STANDARD BRIDGE ( $I_{F(AV)}$ : 25A-40A) ..... 35

STANDARD BRIDGE ( $I_{F(AV)}$ : 50A) ..... 36

FAST RECOVERY ( $t_{rr}$ : 100-500ns) ..... 36

HIGH EFFICIENT ( $t_{rr}$ : 50-99ns) ..... 37

SUPER FAST RECOVERY ( $t_{rr}$ : 30-49ns) ..... 37

SCHOTTKY BRIDGE ..... 37

#### STANDARD RECTIFIER ..... 38

STANDARD RECTIFIER ( $I_{F(AV)}$ : 0.8A-1A) ..... 38

STANDARD RECTIFIER ( $I_{F(AV)}$ : 1A) ..... 39

STANDARD RECTIFIER ( $I_{F(AV)}$ : 1A-1.5A) ..... 40

STANDARD RECTIFIER ( $I_{F(AV)}$ : 1.5A-2A) ..... 41

STANDARD RECTIFIER ( $I_{F(AV)}$ : 2A-3A) ..... 42

STANDARD RECTIFIER ( $I_{F(AV)}$ : 3A-5A) ..... 43

STANDARD RECTIFIER ( $I_{F(AV)}$ : 5A-8A) ..... 44

STANDARD RECTIFIER ( $I_{F(AV)}$ : 8A-25A) ..... 45

#### FAST RECOVERY ( $t_{rr}$ : 100-500ns) ..... 46

#### HIGH EFFICIENT ( $t_{rr}$ : 50-99ns) ..... 51

#### SUPER FAST RECOVERY ( $t_{rr}$ : 30-49ns) ..... 60

#### ULTRA FAST RECOVERY ( $t_{rr}$ : 15-29ns) ..... 69

#### PROTECTION DIODE ..... 74

##### TVS ..... 74

TVS (Bidirectional,  $P_{PK}$ : 300W) ..... 74

TVS (Bidirectional,  $P_{PK}$ : 400W) ..... 75

TVS (Bidirectional,  $P_{PK}$ : 400W-500W) ..... 82

TVS (Bidirectional,  $P_{PK}$ : 500W) ..... 83

TVS (Bidirectional,  $P_{PK}$ : 500W-600W) ..... 84

TVS (Bidirectional,  $P_{PK}$ : 600W) ..... 85

TVS (Bidirectional,  $P_{PK}$ : 600W-1000W) ..... 92

TVS (Bidirectional,  $P_{PK}$ : 1000W) ..... 93

TVS (Bidirectional,  $P_{PK}$ : 1000W-1500W) ..... 94

TVS (Bidirectional,  $P_{PK}$ : 1500W) ..... 95

TVS (Bidirectional,  $P_{PK}$ : 1500W-3000W) ..... 103

TVS (Bidirectional,  $P_{PK}$ : 3000W) ..... 104

TVS (Unidirectional,  $P_{PK}$ : 200W) ..... 105

TVS (Unidirectional,  $P_{PK}$ : 200W-300W) ..... 106

TVS (Unidirectional,  $P_{PK}$ : 300W-400W) ..... 107

TVS (Unidirectional,  $P_{PK}$ : 400W) ..... 108

TVS (Unidirectional,  $P_{PK}$ : 400W-500W) ..... 115

TVS (Unidirectional,  $P_{PK}$ : 500W) ..... 116

TVS (Unidirectional,  $P_{PK}$ : 500W-600W) ..... 117

TVS (Unidirectional,  $P_{PK}$ : 600W) ..... 118

TVS (Unidirectional,  $P_{PK}$ : 600W-1000W) ..... 127

TVS (Unidirectional,  $P_{PK}$ : 1000W-1500W) ..... 128

TVS (Unidirectional,  $P_{PK}$ : 1500W) ..... 129

TVS (Unidirectional,  $P_{PK}$ : 1500W-3000W) ..... 137

TVS (Unidirectional,  $P_{PK}$ : 3000W) ..... 138

TVS (Unidirectional,  $P_{PK}$ : 3000W-4600W) ..... 139

TVS (Unidirectional,  $P_{PK}$ : 5000W) ..... 140

TVS (Unidirectional,  $P_{PK}$ : 5000W-6600W) ..... 141

#### ESD PROTECTION ..... 142

#### MOSFET ..... 143

##### AUTOMOTIVE MOSFET ..... 143

##### N-CHANNEL MOSFET ..... 144

LOW VOLTAGE MOSFETS (<250V) ..... 144

HIGH VOLTAGE MOSFETS (>500V) ..... 149

##### P-CHANNEL MOSFETS ..... 150

##### DUAL CHANNEL MOSFET ..... 151

N AND P-CHANNEL MOSFETS ..... 151

P AND P-CHANNEL MOSFETS ..... 151

##### SMALL-SIGNAL MOSFETS ..... 152

#### GENERAL PURPOSE AND LOW VCE(SAT) TRANSISTOR ..... 153

NPN TRANSISTOR ..... 153

PNP TRANSISTOR ..... 154

#### SMALL-SIGNAL PRODUCT ..... 155

##### ZENER DIODE ..... 155

ZENER DIODE ( $P_D$  = 150mW) ..... 155

ZENER DIODE ( $P_D$  = 200mW) ..... 158

ZENER DIODE ( $P_D$  = 200mW-300mW) ..... 164

# Contents

ZENER DIODE ( $P_D = 300\text{mW}$ ).....	165
ZENER DIODE ( $P_D = 300\text{mW-}350\text{mW}$ ).....	167
ZENER DIODE ( $P_D = 350\text{mW-}410\text{mW}$ ).....	168
ZENER DIODE ( $P_D = 410\text{mW-}500\text{mW}$ ).....	169
ZENER DIODE ( $P_D = 500\text{mW}$ ).....	170
ZENER DIODE ( $P_D = 500\text{mW-}1000\text{mW}$ ).....	192
ZENER DIODE ( $P_D = 1000\text{mW-}1250\text{mW}$ ).....	200
ZENER DIODE ( $P_D = 1250\text{mW}$ ).....	201
ZENER DIODE ( $P_D = 1250\text{mW-}1300\text{mW}$ ).....	203
ZENER DIODE ( $P_D = 1300\text{mW-}1500\text{mW}$ ).....	204
ZENER DIODE ( $P_D = 1500\text{mW}$ ).....	205
ZENER DIODE ( $P_D = 1500\text{mW-}2000\text{mW}$ ).....	206
ZENER DIODE ( $P_D = 2000\text{mW-}3000\text{mW}$ ).....	207
ZENER DIODE ( $P_D = 3000\text{mW}$ ).....	208
ZENER DIODE ( $P_D = 3000\text{mW-}5000\text{mW}$ ).....	212
ZENER DIODE ( $P_D = 5000\text{mW}$ ).....	213
SWITCHING DIODE.....	214
SCHOTTKY DIODE.....	216

## POWER MANAGEMENT ..... 218

AMPLIFIERS & COMPARATORS.....	219
VOLTAGE REGULATRO.....	219
AUTOMOTIVE VOLTAGE REGULATOR.....	219
LINEAR VOLTAGE REGULATOR.....	219
SWITCHING REGULATOR.....	221
LED DRIVER.....	222
AUTOMOTIVE LED DRIVER.....	222
AC-DC LED DRIVER.....	222
DC-DC LED DRIVER.....	222
VOLTAGE REFERENCE.....	222

## SENSOR..... 223

MAGNETIC SENSOR.....	224
OMNI-POLAR.....	224
UNI-POLAR.....	224
LINEAR.....	224

## WIDE BANGAP..... 225

GAN TRANSISTOR.....	226
---------------------	-----

## PACKAGE CODE LIST ..... 227

REEL PACKING.....	228
AMMO BOX PACKING.....	231
BULK PACKING.....	231
TUBE PACKING.....	232
TRAY PACKING.....	232

## OUTLINE DRAWINGS ..... 233

DIODE.....	234
RECTIFIER.....	237
TRANSISTOR.....	243
MOSFET.....	244
IC.....	249
WIDE BANDGAP.....	250

## Instruction



Accessing pages:

Click the page number in the table of contents to navigate directly to that page.



Accessing chapters:

Click the "Chapter" tab at the top of the page to return to the chapter contents table.

# DISCRETE

## RECTIFIER ..... 7

SCHOTTKY RECTIFIER .....	7
SCHOTTKY RECTIFIER ( $I_{F(AV)}$ : 0.5A-1A) .....	7
SCHOTTKY RECTIFIER ( $I_{F(AV)}$ : 1A) .....	8
SCHOTTKY RECTIFIER ( $I_{F(AV)}$ : 1A-2A) .....	9
SCHOTTKY RECTIFIER ( $I_{F(AV)}$ : 2A-3A) .....	10
SCHOTTKY RECTIFIER ( $I_{F(AV)}$ : 3A) .....	11
SCHOTTKY RECTIFIER ( $I_{F(AV)}$ : 3A-5A) .....	12
SCHOTTKY RECTIFIER ( $I_{F(AV)}$ : 5A-7.5A) .....	13
SCHOTTKY RECTIFIER ( $I_{F(AV)}$ : 7.5A-8A) .....	14
SCHOTTKY RECTIFIER ( $I_{F(AV)}$ : 8A-10A) .....	15
SCHOTTKY RECTIFIER ( $I_{F(AV)}$ : 10A) .....	16
SCHOTTKY RECTIFIER ( $I_{F(AV)}$ : 10A-15A) .....	18
SCHOTTKY RECTIFIER ( $I_{F(AV)}$ : 15A-16A) .....	19
SCHOTTKY RECTIFIER ( $I_{F(AV)}$ : 16A) .....	20
SCHOTTKY RECTIFIER ( $I_{F(AV)}$ : 16A-20A) .....	21
SCHOTTKY RECTIFIER ( $I_{F(AV)}$ : 20A) .....	22
SCHOTTKY RECTIFIER ( $I_{F(AV)}$ : 20A-25A) .....	24
SCHOTTKY RECTIFIER ( $I_{F(AV)}$ : 25A-30A) .....	25
SCHOTTKY RECTIFIER ( $I_{F(AV)}$ : 30A-40A) .....	26
SCHOTTKY RECTIFIER ( $I_{F(AV)}$ : 40A-60A) .....	27
BRIDGE .....	28
STANDARD BRIDGE .....	28
STANDARD BRIDGE ( $I_{F(AV)}$ : 0.8A-1.5A) .....	28
STANDARD BRIDGE ( $I_{F(AV)}$ : 1.5A-2A) .....	29
STANDARD BRIDGE ( $I_{F(AV)}$ : 2A-4A) .....	30
STANDARD BRIDGE ( $I_{F(AV)}$ : 4A-6A) .....	31
STANDARD BRIDGE ( $I_{F(AV)}$ : 6A-10A) .....	32
STANDARD BRIDGE ( $I_{F(AV)}$ : 10A-15A) .....	33
STANDARD BRIDGE ( $I_{F(AV)}$ : 15A-25A) .....	34
STANDARD BRIDGE ( $I_{F(AV)}$ : 25A-40A) .....	35
STANDARD BRIDGE ( $I_{F(AV)}$ : 50A) .....	36
FAST RECOVERY ( $t_{rr}$ 100-500ns) .....	36
HIGH EFFICIENT ( $t_{rr}$ 50-99ns) .....	37

SUPER FAST RECOVERY ( $t_{rr}$ 30-49ns) .....	37
SCHOTTKY BRIDGE .....	37
STANDARD RECTIFIER .....	38
STANDARD RECTIFIER ( $I_{F(AV)}$ : 0.8A-1A) .....	38
STANDARD RECTIFIER ( $I_{F(AV)}$ : 1A) .....	39
STANDARD RECTIFIER ( $I_{F(AV)}$ : 1A-1.5A) .....	40
STANDARD RECTIFIER ( $I_{F(AV)}$ : 1.5A-2A) .....	41
STANDARD RECTIFIER ( $I_{F(AV)}$ : 2A-3A) .....	42
STANDARD RECTIFIER ( $I_{F(AV)}$ : 3A-5A) .....	43
STANDARD RECTIFIER ( $I_{F(AV)}$ : 5A-8A) .....	44
STANDARD RECTIFIER ( $I_{F(AV)}$ : 8A-25A) .....	45
FAST RECOVERY ( $t_{rr}$ 100-500ns) .....	46
HIGH EFFICIENT ( $t_{rr}$ 50-99ns) .....	51
SUPER FAST RECOVERY ( $t_{rr}$ 30-49ns) .....	60
ULTRA FAST RECOVERY ( $t_{rr}$ 15-29ns) .....	69

## PROTECTION DIODE ..... 74

TVS .....	74
TVS (Bidirectional, $P_{PK}$ 300W) .....	74
TVS (Bidirectional, $P_{PK}$ 400W) .....	75
TVS (Bidirectional, $P_{PK}$ 400W-500W) .....	82
TVS (Bidirectional, $P_{PK}$ 500W) .....	83
TVS (Bidirectional, $P_{PK}$ 500W-600W) .....	84
TVS (Bidirectional, $P_{PK}$ 600W) .....	85
TVS (Bidirectional, $P_{PK}$ 600W-1000W) .....	92
TVS (Bidirectional, $P_{PK}$ 1000W) .....	93
TVS (Bidirectional, $P_{PK}$ 1000W-1500W) .....	94
TVS (Bidirectional, $P_{PK}$ 1500W) .....	95
TVS (Bidirectional, $P_{PK}$ 1500W-3000W) .....	103
TVS (Bidirectional, $P_{PK}$ 3000W) .....	104
TVS (Unidirectional, $P_{PK}$ 200W) .....	105
TVS (Unidirectional, $P_{PK}$ 200W-300W) .....	106
TVS (Unidirectional, $P_{PK}$ 300W-400W) .....	107
TVS (Unidirectional, $P_{PK}$ 400W) .....	108
TVS (Unidirectional, $P_{PK}$ 400W-500W) .....	115

TVS (Unidirectional, $P_{PK}$ 500W) .....	116
TVS (Unidirectional, $P_{PK}$ 500W-600W) .....	117
TVS (Unidirectional, $P_{PK}$ 600W) .....	118
TVS (Unidirectional, $P_{PK}$ 600W-1000W) .....	127
TVS (Unidirectional, $P_{PK}$ 1000W-1500W) .....	128
TVS (Unidirectional, $P_{PK}$ 1500W) .....	129
TVS (Unidirectional, $P_{PK}$ 1500W-3000W) .....	137
TVS (Unidirectional, $P_{PK}$ 3000W) .....	138
TVS (Unidirectional, $P_{PK}$ 3000W-4600W) .....	139
TVS (Unidirectional, $P_{PK}$ 5000W) .....	140
TVS (Unidirectional, $P_{PK}$ 5000W-6600W) .....	141
ESD PROTECTION .....	142

## MOSFET ..... 143

AUTOMOTIVE MOSFET .....	143
N-CHANNEL MOSFET .....	144
LOW VOLTAGE MOSFETS (<250V) .....	144
HIGH VOLTAGE MOSFETS (>500V) .....	149
P-CHANNEL MOSFETS .....	150
DUAL CHANNEL MOSFET .....	151
N AND P-CHANNEL MOSFETS .....	151
P AND P-CHANNEL MOSFETS .....	151
SMALL-SIGNAL MOSFETS .....	152

## GENERAL PURPOSE AND LOW VCE(SAT) TRANSISTOR ..... 153

NPN TRANSISTOR .....	153
PNP TRANSISTOR .....	154

## SMALL-SIGNAL PRODUCT ..... 155

ZENER DIODE .....	155
ZENER DIODE ( $P_D$ = 150mW) .....	155
ZENER DIODE ( $P_D$ = 200mW) .....	158
ZENER DIODE ( $P_D$ = 200mW-300mW) .....	164
ZENER DIODE ( $P_D$ = 300mW) .....	165
ZENER DIODE ( $P_D$ = 300mW-350mW) .....	167

ZENER DIODE ( $P_D$ = 350mW-410mW) .....	168
ZENER DIODE ( $P_D$ = 410mW-500mW) .....	169
ZENER DIODE ( $P_D$ = 500mW) .....	170
ZENER DIODE ( $P_D$ = 500mW-1000mW) .....	192
ZENER DIODE ( $P_D$ = 1000mW-1250mW) .....	200
ZENER DIODE ( $P_D$ = 1250mW) .....	201
ZENER DIODE ( $P_D$ = 1250mW-1300mW) .....	203
ZENER DIODE ( $P_D$ = 1300mW-1500mW) .....	204
ZENER DIODE ( $P_D$ = 1500mW) .....	205
ZENER DIODE ( $P_D$ = 1500mW-2000mW) .....	206
ZENER DIODE ( $P_D$ = 2000mW-3000mW) .....	207
ZENER DIODE ( $P_D$ = 3000mW) .....	208
ZENER DIODE ( $P_D$ = 3000mW-5000mW) .....	212
ZENER DIODE ( $P_D$ = 5000mW) .....	213
SWITCHING DIODE .....	214
SCHOTTKY DIODE .....	216

## SCHOTTKY RECTIFIER

 $(T_A=25^\circ\text{C}$  unless otherwise noted)

● =AEC-Q qualified

Part Number	$I_{F(AV)}$	$V_{RRM}$	$I_{FSM}$	$V_F$	$I_R$	$T_j$ Max.	Package Description
	(A)	(V)	(A)	(V)	( $\mu\text{A}$ )	( $^\circ\text{C}$ )	
SR002 ●	0.5	20	30	0.55	500	125	DO-204AL (DO-41)
SR003 ●	0.5	30	30	0.55	500	125	DO-204AL (DO-41)
SR004 ●	0.5	40	30	0.55	500	125	DO-204AL (DO-41)
SR005 ●	0.5	50	30	0.70	500	150	DO-204AL (DO-41)
SR006 ●	0.5	60	30	0.70	500	150	DO-204AL (DO-41)
SR009 ●	0.5	90	30	0.85	100	150	DO-204AL (DO-41)
SR010 ●	0.5	100	30	0.85	100	150	DO-204AL (DO-41)
SRT12 ●	1	20	25	0.55	500	125	TS-1
SS12LS	1	20	30	0.45	400	125	SOD-123HE
SS12LSH ●	1	20	30	0.45	400	125	SOD-123HE
1N5817 ●	1	20	30	0.45	1,000	125	DO-204AL (DO-41)
SK12B	1	20	30	0.50	500	125	DO-214AA (SMB)
SK12BH ●	1	20	30	0.50	500	125	DO-214AA (SMB)
SR102 ●	1	20	30	0.55	500	125	DO-204AL (DO-41)
SS12	1	20	40	0.50	200	125	DO-214AC (SMA)
SS12H ●	1	20	40	0.50	200	125	DO-214AC (SMA)
SSL12	1	20	50	0.39	200	125	DO-214AC (SMA)
SSL12H ●	1	20	50	0.39	200	125	DO-214AC (SMA)
SS13M	1	30	25	0.55	50	150	Micro SMA
SS13MH ●	1	30	25	0.55	50	150	Micro SMA
SRT13 ●	1	30	25	0.55	500	125	TS-1
SS13LS	1	30	30	0.50	400	125	SOD-123HE
SS13LSH ●	1	30	30	0.50	400	125	SOD-123HE
SK13B	1	30	30	0.50	500	125	DO-214AA (SMB)
SK13BH ●	1	30	30	0.50	500	125	DO-214AA (SMB)
SR103 ●	1	30	30	0.55	500	125	DO-204AL (DO-41)
1N5818 ●	1	30	30	0.55	1,000	125	DO-204AL (DO-41)
SS13	1	30	40	0.50	200	125	DO-214AC (SMA)

Part Number	$I_{F(AV)}$	$V_{RRM}$	$I_{FSM}$	$V_F$	$I_R$	$T_j$ Max.	Package Description
	(A)	(V)	(A)	(V)	( $\mu\text{A}$ )	( $^\circ\text{C}$ )	
SS13H ●	1	30	40	0.50	200	125	DO-214AC (SMA)
SKL13B	1	30	50	0.39	200	125	DO-214AA (SMB)
SKL13BH ●	1	30	50	0.39	200	125	DO-214AA (SMB)
SSL13	1	30	50	0.39	200	125	DO-214AC (SMA)
SSL13H ●	1	30	50	0.39	200	125	DO-214AC (SMA)
SS14M	1	40	25	0.55	50	150	Micro SMA
SS14MH ●	1	40	25	0.55	50	150	Micro SMA
SRT14 ●	1	40	25	0.55	500	125	TS-1
SK14B	1	40	30	0.50	500	125	DO-214AA (SMB)
SK14BH ●	1	40	30	0.50	500	125	DO-214AA (SMB)
SS14LW	1	40	30	0.55	100	125	SOD-123W
SS14LWH ●	1	40	30	0.55	100	125	SOD-123W
SS14FSH ●	1	40	30	0.55	100	150	SOD-128
SS14ALH ●	1	40	30	0.55	100	150	Thin SMA
SS14LS	1	40	30	0.55	400	150	SOD-123HE
SS14LSH ●	1	40	30	0.55	400	150	SOD-123HE
SR104 ●	1	40	30	0.55	500	125	DO-204AL (DO-41)
1N5819 ●	1	40	30	0.60	1,000	125	DO-204AL (DO-41)
SS1H4LW	1	40	30	0.65	0.50	175	SOD-123W
SS1H4LWH ●	1	40	30	0.65	0.50	175	SOD-123W
SS1H4LS	1	40	30	0.65	1	150	SOD-123HE
SS1H4LSH ●	1	40	30	0.65	1	150	SOD-123HE
SS14	1	40	40	0.50	200	125	DO-214AC (SMA)
SS14H ●	1	40	40	0.50	200	125	DO-214AC (SMA)
SSL14	1	40	50	0.39	200	125	DO-214AC (SMA)
SSL14H ●	1	40	50	0.39	200	125	DO-214AC (SMA)
TSU1M45H ●	1	45	25	0.60	80	175	Micro SMA
SRT15 ●	1	50	25	0.70	500	150	TS-1

## SCHOTTKY RECTIFIER

(T<sub>A</sub>=25°C unless otherwise noted)

● =AEC-Q qualified

Part Number	$I_{F(AV)}$	$V_{RRM}$	$I_{FSM}$	$V_F$	$I_R$	$T_j$ Max.	Package Description
	(A)	(V)	(A)	(V)	( $\mu$ A)	(°C)	
SR105 ●	1	50	30	0.70	500	150	DO-204AL (DO-41)
SK15B	1	50	30	0.75	500	150	DO-214AA (SMB)
SK15BH ●	1	50	30	0.75	500	150	DO-214AA (SMB)
SS15	1	50	40	0.75	200	150	DO-214AC (SMA)
SS15H ●	1	50	40	0.75	200	150	DO-214AC (SMA)
TSU1M60H ●	1	60	25	0.65	80	175	Micro SMA
SS16M	1	60	25	0.68	50	150	Micro SMA
SS16MH ●	1	60	25	0.68	50	150	Micro SMA
SRT16 ●	1	60	25	0.70	500	150	TS-1
SS1H6LW	1	60	30	0.70	0.50	175	SOD-123W
SS1H6LWH ●	1	60	30	0.70	0.50	175	SOD-123W
SS1H6LS	1	60	30	0.70	1	150	SOD-123HE
SS1H6LSH ●	1	60	30	0.70	1	150	SOD-123HE
SS16LW	1	60	30	0.70	100	150	SOD-123W
SS16LWH ●	1	60	30	0.70	100	150	SOD-123W
SS16LS	1	60	30	0.70	400	150	SOD-123HE
SS16LSH ●	1	60	30	0.70	400	150	SOD-123HE
SR106 ●	1	60	30	0.70	500	150	DO-204AL (DO-41)
SS16FSH ●	1	60	30	0.71	100	150	SOD-128
SS16ALH ●	1	60	30	0.71	100	150	Thin SMA
SK16B	1	60	30	0.75	500	150	DO-214AA (SMB)
SK16BH ●	1	60	30	0.75	500	150	DO-214AA (SMB)
SS16	1	60	40	0.75	200	150	DO-214AC (SMA)
SS16H ●	1	60	40	0.75	200	150	DO-214AC (SMA)
SRT19 ●	1	90	25	0.80	100	150	TS-1
SR109 ●	1	90	30	0.85	100	150	DO-204AL (DO-41)
SK19B	1	90	30	0.85	100	150	DO-214AA (SMB)
SK19BH ●	1	90	30	0.85	100	150	DO-214AA (SMB)

Part Number	$I_{F(AV)}$	$V_{RRM}$	$I_{FSM}$	$V_F$	$I_R$	$T_j$ Max.	Package Description
	(A)	(V)	(A)	(V)	( $\mu$ A)	(°C)	
SS19	1	90	40	0.80	100	150	DO-214AC (SMA)
SS19H ●	1	90	40	0.80	100	150	DO-214AC (SMA)
SRT110 ●	1	100	25	0.80	100	150	TS-1
SS1H10LW	1	100	30	0.80	0.50	175	SOD-123W
SS1H10LWH ●	1	100	30	0.80	0.50	175	SOD-123W
SS1H10LS	1	100	30	0.80	1	150	SOD-123HE
SS1H10LSH ●	1	100	30	0.80	1	150	SOD-123HE
SS110LW	1	100	30	0.80	10	150	SOD-123W
SS110LWH ●	1	100	30	0.80	10	150	SOD-123W
SS110LS	1	100	30	0.80	50	150	SOD-123HE
SS110LSH ●	1	100	30	0.80	50	150	SOD-123HE
SS110FSH ●	1	100	30	0.83	10	150	SOD-128
SS110ALH ●	1	100	30	0.83	10	150	Thin SMA
SR110 ●	1	100	30	0.85	100	150	DO-204AL (DO-41)
SK110B	1	100	30	0.85	100	150	DO-214AA (SMB)
SK110BH ●	1	100	30	0.85	100	150	DO-214AA (SMB)
SS110	1	100	40	0.80	100	150	DO-214AC (SMA)
SS110H ●	1	100	40	0.80	100	150	DO-214AC (SMA)
SRT115 ●	1	150	25	0.90	100	150	TS-1
SS1H15LW	1	150	30	0.85	0.50	175	SOD-123W
SS1H15LWH ●	1	150	30	0.85	0.50	175	SOD-123W
SS1H15LS	1	150	30	0.85	1	150	SOD-123HE
SS1H15LSH ●	1	150	30	0.85	1	150	SOD-123HE
SS115LS	1	150	30	0.90	50	150	SOD-123HE
SS115LSH ●	1	150	30	0.90	50	150	SOD-123HE
SS115LW	1	150	30	0.95	10	150	SOD-123W
SS115LWH ●	1	150	30	0.95	10	150	SOD-123W
SS115FSH ●	1	150	30	0.95	10	150	SOD-128



## SCHOTTKY RECTIFIER

(T<sub>A</sub>=25°C unless otherwise noted)

● =AEC-Q qualified

Part Number	$I_{F(AV)}$	$V_{RRM}$	$I_{FSM}$	$V_F$	$I_R$	$T_j$ Max.	Package Description
	(A)	(V)	(A)	(V)	( $\mu$ A)	(°C)	
SS115ALH ●	1	150	30	0.95	10	150	Thin SMA
SR115 ●	1	150	30	0.95	100	150	DO-204AL (DO-41)
SK115B	1	150	30	0.95	100	150	DO-214AA (SMB)
SK115BH ●	1	150	30	0.95	100	150	DO-214AA (SMB)
SS115	1	150	40	0.95	100	150	DO-214AC (SMA)
SS115H ●	1	150	40	0.95	100	150	DO-214AC (SMA)
SS1H20LW	1	200	30	0.85	0.50	175	SOD-123W
SS1H20LWH ●	1	200	30	0.85	0.50	175	SOD-123W
SS1H20LS	1	200	30	0.85	1	150	SOD-123HE
SS1H20LSH ●	1	200	30	0.85	1	150	SOD-123HE
SS120FSH ●	1	200	30	1.10	10	150	SOD-128
SS120ALH ●	1	200	30	1.10	10	150	Thin SMA
SS120	1	200	40	0.95	100	150	DO-214AC (SMA)
SS120H ●	1	200	40	0.95	100	150	DO-214AC (SMA)
SS22M	2	20	25	0.60	150	150	Micro SMA
SS22MH ●	2	20	25	0.60	150	150	Micro SMA
SS22	2	20	50	0.50	400	125	DO-214AA (SMB)
SS22H ●	2	20	50	0.50	400	125	DO-214AA (SMB)
SK22A	2	20	50	0.50	500	125	DO-214AC (SMA)
SK22AH ●	2	20	50	0.50	500	125	DO-214AC (SMA)
SR202 ●	2	20	50	0.55	500	125	DO-204AC (DO-15)
SSL22	2	20	80	0.41	400	125	DO-214AA (SMB)
SSL22H ●	2	20	80	0.41	400	125	DO-214AA (SMB)
SS23M	2	30	25	0.60	150	150	Micro SMA
SS23MH ●	2	30	25	0.60	150	150	Micro SMA
SS23	2	30	50	0.50	400	125	DO-214AA (SMB)
SS23H ●	2	30	50	0.50	400	125	DO-214AA (SMB)
SK23A	2	30	50	0.50	500	125	DO-214AC (SMA)

Part Number	$I_{F(AV)}$	$V_{RRM}$	$I_{FSM}$	$V_F$	$I_R$	$T_j$ Max.	Package Description
	(A)	(V)	(A)	(V)	( $\mu$ A)	(°C)	
SK23AH ●	2	30	50	0.50	500	125	DO-214AC (SMA)
SR203 ●	2	30	50	0.55	500	125	DO-204AC (DO-15)
SSL23	2	30	80	0.41	400	125	DO-214AA (SMB)
SSL23H ●	2	30	80	0.41	400	125	DO-214AA (SMB)
SS24M	2	40	25	0.60	150	150	Micro SMA
SS24MH ●	2	40	25	0.60	150	150	Micro SMA
SS24	2	40	50	0.50	400	125	DO-214AA (SMB)
SS24H ●	2	40	50	0.50	400	125	DO-214AA (SMB)
SK24A	2	40	50	0.50	500	125	DO-214AC (SMA)
SK24AH ●	2	40	50	0.50	500	125	DO-214AC (SMA)
SS24LW	2	40	50	0.55	200	150	SOD-123W
SS24LWH ●	2	40	50	0.55	200	150	SOD-123W
SR204 ●	2	40	50	0.55	500	125	DO-204AC (DO-15)
SS24FSH ●	2	40	50	0.57	200	150	SOD-128
SS24ALH ●	2	40	50	0.57	200	150	Thin SMA
SSL24	2	40	80	0.41	400	125	DO-214AA (SMB)
SSL24H ●	2	40	80	0.41	400	125	DO-214AA (SMB)
TSU2M45H ●	2	45	30	0.67	150	175	Micro SMA
SS25	2	50	50	0.70	400	150	DO-214AA (SMB)
SS25H ●	2	50	50	0.70	400	150	DO-214AA (SMB)
SK25A	2	50	50	0.70	500	125	DO-214AC (SMA)
SK25AH ●	2	50	50	0.70	500	125	DO-214AC (SMA)
SR205 ●	2	50	50	0.70	500	150	DO-204AC (DO-15)
TSU2M60H ●	2	60	30	0.81	100	175	Micro SMA
SS26LW	2	60	50	0.70	200	150	SOD-123W
SS26LWH ●	2	60	50	0.70	200	150	SOD-123W
SS26FSH ●	2	60	50	0.70	200	150	SOD-128
SS26ALH ●	2	60	50	0.70	200	150	Thin SMA

## SCHOTTKY RECTIFIER

(T<sub>A</sub>=25°C unless otherwise noted)

● =AEC-Q qualified

Part Number	$I_{F(AV)}$	$V_{RRM}$	$I_{FSM}$	$V_F$	$I_R$	$T_j$ Max.	Package Description
	(A)	(V)	(A)	(V)	( $\mu$ A)	(°C)	
SS26	2	60	50	0.70	400	150	DO-214AA (SMB)
SS26H ●	2	60	50	0.70	400	150	DO-214AA (SMB)
SR206 ●	2	60	50	0.70	500	150	DO-204AC (DO-15)
SK26A	2	60	50	0.70	500	150	DO-214AC (SMA)
SK26AH ●	2	60	50	0.70	500	150	DO-214AC (SMA)
SR209 ●	2	90	50	0.85	100	150	DO-204AC (DO-15)
SS29	2	90	50	0.85	100	150	DO-214AA (SMB)
SS29H ●	2	90	50	0.85	100	150	DO-214AA (SMB)
SK29A	2	90	50	0.85	100	150	DO-214AC (SMA)
SK29AH ●	2	90	50	0.85	100	150	DO-214AC (SMA)
SS210FSH ●	2	100	50	0.85	10	150	SOD-128
SS210ALH ●	2	100	50	0.85	10	150	Thin SMA
SS210LW	2	100	50	0.85	20	150	SOD-123W
SS210LWH ●	2	100	50	0.85	20	150	SOD-123W
SR210 ●	2	100	50	0.85	100	150	DO-204AC (DO-15)
SS210	2	100	50	0.85	100	150	DO-214AA (SMB)
SS210H ●	2	100	50	0.85	100	150	DO-214AA (SMB)
SK210A	2	100	50	0.85	100	150	DO-214AC (SMA)
SK210AH ●	2	100	50	0.85	100	150	DO-214AC (SMA)
SSH210	2	100	75	0.79	1	175	DO-214AA (SMB)
SSH210H ●	2	100	75	0.79	1	175	DO-214AA (SMB)
SS215LW	2	150	50	0.95	10	150	SOD-123W
SS215LWH ●	2	150	50	0.95	10	150	SOD-123W
SS215FSH ●	2	150	50	0.95	10	150	SOD-128
SS215ALH ●	2	150	50	0.95	10	150	Thin SMA
SR215 ●	2	150	50	0.95	100	150	DO-204AC (DO-15)
SS215	2	150	50	0.95	100	150	DO-214AA (SMB)
SS215H ●	2	150	50	0.95	100	150	DO-214AA (SMB)

Part Number	$I_{F(AV)}$	$V_{RRM}$	$I_{FSM}$	$V_F$	$I_R$	$T_j$ Max.	Package Description
	(A)	(V)	(A)	(V)	( $\mu$ A)	(°C)	
SK215A	2	150	50	0.95	100	150	DO-214AC (SMA)
SK215AH ●	2	150	50	0.95	100	150	DO-214AC (SMA)
SS220LW	2	200	50	0.95	10	150	SOD-123W
SS220LWH ●	2	200	50	0.95	10	150	SOD-123W
SS220FSH ●	2	200	50	0.95	10	150	SOD-128
SS220ALH ●	2	200	50	0.95	10	150	Thin SMA
SR220 ●	2	200	50	0.95	100	150	DO-204AC (DO-15)
SK32B	3	20	70	0.50	500	125	DO-214AA (SMB)
SK32BH ●	3	20	70	0.50	500	125	DO-214AA (SMB)
SK32A	3	20	70	0.55	500	150	DO-214AC (SMA)
SK32AH ●	3	20	70	0.55	500	150	DO-214AC (SMA)
1N5820 ●	3	20	80	0.475	500	125	DO-201AD
SR302 ●	3	20	80	0.55	500	125	DO-201AD
SSL32	3	20	100	0.41	200	125	DO-214AB (SMC)
SSL32H ●	3	20	100	0.41	200	125	DO-214AB (SMC)
SS32	3	20	100	0.50	500	125	DO-214AB (SMC)
SS32H ●	3	20	100	0.50	500	125	DO-214AB (SMC)
SK33B	3	30	70	0.50	500	125	DO-214AA (SMB)
SK33BH ●	3	30	70	0.50	500	125	DO-214AA (SMB)
SK33A	3	30	70	0.55	500	150	DO-214AC (SMA)
SK33AH ●	3	30	70	0.55	500	150	DO-214AC (SMA)
1N5821 ●	3	30	80	0.500	500	125	DO-201AD
SR303 ●	3	30	80	0.55	500	125	DO-201AD
SSL33	3	30	100	0.41	200	125	DO-214AB (SMC)
SSL33H ●	3	30	100	0.41	200	125	DO-214AB (SMC)
SS33	3	30	100	0.50	500	125	DO-214AB (SMC)
SS33H ●	3	30	100	0.50	500	125	DO-214AB (SMC)
SK34B	3	40	70	0.50	500	125	DO-214AA (SMB)

## SCHOTTKY RECTIFIER

 $(T_A=25^\circ\text{C}$  unless otherwise noted)

● =AEC-Q qualified

Part Number	$I_{F(AV)}$	$V_{RRM}$	$I_{FSM}$	$V_F$	$I_R$	$T_j$ Max.	Package Description
	(A)	(V)	(A)	(V)	( $\mu\text{A}$ )	( $^\circ\text{C}$ )	
SK34BH ●	3	40	70	0.50	500	125	DO-214AA (SMB)
SK34A	3	40	70	0.55	500	150	DO-214AC (SMA)
SK34AH ●	3	40	70	0.55	500	150	DO-214AC (SMA)
SS34FSH ●	3	40	70	0.59	200	150	SOD-128
SS34ALH ●	3	40	70	0.59	200	150	Thin SMA
1N5822 ●	3	40	80	0.525	500	125	DO-201AD
SS34LW	3	40	80	0.55	200	125	SOD-123W
SS34LWH ●	3	40	80	0.55	200	125	SOD-123W
SR304 ●	3	40	80	0.55	500	125	DO-201AD
SSL34	3	40	100	0.41	500	125	DO-214AB (SMC)
SSL34H ●	3	40	100	0.41	500	125	DO-214AB (SMC)
SS34	3	40	100	0.50	500	125	DO-214AB (SMC)
SS34H ●	3	40	100	0.50	500	125	DO-214AB (SMC)
TSS83L45	3	45	30	0.56	500	150	SOD-128
TSSW3U45	3	45	50	0.47	1000	150	SOD-123W
TSSW3U45H ●	3	45	50	0.47	1000	150	SOD-123W
TSSA3U45	3	45	50	0.48	500	150	DO-214AC (SMA)
TSSA3U45H ●	3	45	50	0.48	500	150	DO-214AC (SMA)
TSSE3H45	3	45	60	0.57	100	150	SOD-123HE
TSSE3H45H ●	3	45	60	0.57	100	150	SOD-123HE
TSSE3U45	3	45	80	0.47	1000	150	SOD-123HE
TSSE3U45H ●	3	45	80	0.47	1000	150	SOD-123HE
SK35A	3	50	70	0.72	200	150	DO-214AC (SMA)
SK35AH ●	3	50	70	0.72	200	150	DO-214AC (SMA)
SK35B	3	50	70	0.75	500	150	DO-214AA (SMB)
SK35BH ●	3	50	70	0.75	500	150	DO-214AA (SMB)
SS35	3	50	75	0.75	500	150	DO-214AB (SMC)
SS35H ●	3	50	75	0.75	500	150	DO-214AB (SMC)

Part Number	$I_{F(AV)}$	$V_{RRM}$	$I_{FSM}$	$V_F$	$I_R$	$T_j$ Max.	Package Description
	(A)	(V)	(A)	(V)	( $\mu\text{A}$ )	( $^\circ\text{C}$ )	
SR305 ●	3	50	80	0.70	500	150	DO-201AD
TSSW3U60	3	60	50	0.58	1000	150	SOD-123W
TSSW3U60H ●	3	60	50	0.58	1000	150	SOD-123W
TSSA3U60	3	60	60	0.54	500	150	DO-214AC (SMA)
TSSA3U60H ●	3	60	60	0.54	500	150	DO-214AC (SMA)
TSSE3H60	3	60	60	0.60	100	150	SOD-123HE
TSSE3H60H ●	3	60	60	0.60	100	150	SOD-123HE
SK36A	3	60	70	0.72	200	150	DO-214AC (SMA)
SK36AH ●	3	60	70	0.72	200	150	DO-214AC (SMA)
SS36FSH ●	3	60	70	0.72	200	150	SOD-128
SS36ALH ●	3	60	70	0.72	200	150	Thin SMA
SK36B	3	60	70	0.75	500	150	DO-214AA (SMB)
SK36BH ●	3	60	70	0.75	500	150	DO-214AA (SMB)
SS36	3	60	75	0.75	500	150	DO-214AB (SMC)
SS36H ●	3	60	75	0.75	500	150	DO-214AB (SMC)
TSSE3U60	3	60	80	0.58	1000	150	SOD-123HE
TSSE3U60H ●	3	60	80	0.58	1000	150	SOD-123HE
SS36LW	3	60	80	0.70	200	150	SOD-123W
SS36LWH ●	3	60	80	0.70	200	150	SOD-123W
SR306 ●	3	60	80	0.70	500	150	DO-201AD
SK39B	3	90	70	0.85	100	150	DO-214AA (SMB)
SK39BH ●	3	90	70	0.85	100	150	DO-214AA (SMB)
SK39A	3	90	70	0.85	100	150	DO-214AC (SMA)
SK39AH ●	3	90	70	0.85	100	150	DO-214AC (SMA)
SS39	3	90	75	0.85	100	150	DO-214AB (SMC)
SS39H ●	3	90	75	0.85	100	150	DO-214AB (SMC)
SR309 ●	3	90	80	0.85	100	150	DO-201AD
SK310B	3	100	70	0.85	100	150	DO-214AA (SMB)

## SCHOTTKY RECTIFIER

(T<sub>A</sub>=25°C unless otherwise noted)

● =AEC-Q qualified

Part Number	$I_{F(AV)}$	$V_{RRM}$	$I_{FSM}$	$V_F$	$I_R$	$T_j$ Max.	Package Description
	(A)	(V)	(A)	(V)	( $\mu$ A)	(°C)	
SK310BH ●	3	100	70	0.85	100	150	DO-214AA (SMB)
SK310A	3	100	70	0.85	100	150	DO-214AC (SMA)
SK310AH ●	3	100	70	0.85	100	150	DO-214AC (SMA)
SS310FSH ●	3	100	70	0.88	10	150	SOD-128
SS310ALH ●	3	100	70	0.88	10	150	Thin SMA
SS310	3	100	75	0.85	100	150	DO-214AB (SMC)
SS310H ●	3	100	75	0.85	100	150	DO-214AB (SMC)
SS310LW	3	100	80	0.85	20	150	SOD-123W
SS310LWH ●	3	100	80	0.85	20	150	SOD-123W
SR310 ●	3	100	80	0.85	100	150	DO-201AD
SS315FSH ●	3	150	70	0.95	10	150	SOD-128
SS315ALH ●	3	150	70	0.95	10	150	Thin SMA
SK315B	3	150	70	0.95	100	150	DO-214AA (SMB)
SK315BH ●	3	150	70	0.95	100	150	DO-214AA (SMB)
SK315A	3	150	70	0.95	100	150	DO-214AC (SMA)
SK315AH ●	3	150	70	0.95	100	150	DO-214AC (SMA)
SS315	3	150	75	0.95	100	150	DO-214AB (SMC)
SS315H ●	3	150	75	0.95	100	150	DO-214AB (SMC)
SS315LW	3	150	80	0.95	10	150	SOD-123W
SS315LWH ●	3	150	80	0.95	10	150	SOD-123W
SR315 ●	3	150	80	0.95	100	150	DO-201AD
TSP3H150S	3	150	90	0.86	10	150	TO-277A (SMPC)
SS320FSH ●	3	200	70	0.95	10	150	SOD-128
SS320ALH ●	3	200	70	0.95	10	150	Thin SMA
SK320B	3	200	70	0.95	100	150	DO-214AA (SMB)
SK320BH ●	3	200	70	0.95	100	150	DO-214AA (SMB)
SK320A	3	200	70	0.95	100	150	DO-214AC (SMA)
SK320AH ●	3	200	70	0.95	100	150	DO-214AC (SMA)

Part Number	$I_{F(AV)}$	$V_{RRM}$	$I_{FSM}$	$V_F$	$I_R$	$T_j$ Max.	Package Description
	(A)	(V)	(A)	(V)	( $\mu$ A)	(°C)	
SS320	3	200	75	0.95	100	150	DO-214AB (SMC)
SS320H ●	3	200	75	0.95	100	150	DO-214AB (SMC)
SS320LW	3	200	80	0.95	10	150	SOD-123W
SS320LWH ●	3	200	80	0.95	10	150	SOD-123W
SR320 ●	3	200	80	0.95	100	150	DO-201AD
SSB44	4	40	100	0.50	200	150	DO-214AA (SMB)
SSB44H ●	4	40	100	0.50	200	150	DO-214AA (SMB)
SR502 ●	5	20	120	0.55	500	125	DO-201AD
SRAF520 ●	5	20	120	0.55	500	125	ITO-220AC
SK52B	5	20	120	0.55	500	150	DO-214AA (SMB)
SK52BH ●	5	20	120	0.55	500	150	DO-214AA (SMB)
SK52C	5	20	120	0.55	500	150	DO-214AB (SMC)
SK52CH ●	5	20	120	0.55	500	150	DO-214AB (SMC)
SR503 ●	5	30	120	0.55	500	125	DO-201AD
SRAF530 ●	5	30	120	0.55	500	125	ITO-220AC
SK53B	5	30	120	0.55	500	150	DO-214AA (SMB)
SK53BH ●	5	30	120	0.55	500	150	DO-214AA (SMB)
SK53C	5	30	120	0.55	500	150	DO-214AB (SMC)
SK53CH ●	5	30	120	0.55	500	150	DO-214AB (SMC)
SS54FSH ●	5	40	110	0.65	200	150	SOD-128
SS54ALH ●	5	40	110	0.65	200	150	Thin SMA
SR504 ●	5	40	120	0.55	500	125	DO-201AD
SRAF540 ●	5	40	120	0.55	500	125	ITO-220AC
SK54B	5	40	120	0.55	500	150	DO-214AA (SMB)
SK54BH ●	5	40	120	0.55	500	150	DO-214AA (SMB)
SK54C	5	40	120	0.55	500	150	DO-214AB (SMC)
SK54CH ●	5	40	120	0.55	500	150	DO-214AB (SMC)
TSUP5M45SH ●	5	45	110	0.60	150	175	TO-277A (SMPC4.6U)

## SCHOTTKY RECTIFIER

(T<sub>A</sub>=25°C unless otherwise noted)

● =AEC-Q qualified

Part Number	$I_{F(AV)}$	$V_{RRM}$	$I_{FSM}$	$V_F$	$I_R$	$T_j$ Max.	Package Description
	(A)	(V)	(A)	(V)	( $\mu$ A)	(°C)	
MBRAD545H ●	5	45	120	0.70	100	150	ThinDPAK
TSSA5U50	5	50	75	0.54	300	150	DO-214AC (SMA)
TSSA5U50H ●	5	50	75	0.54	300	150	DO-214AC (SMA)
SR505 ●	5	50	120	0.70	500	150	DO-201AD
SRAF550 ●	5	50	120	0.70	500	150	ITO-220AC
SK55B	5	50	120	0.75	500	150	DO-214AA (SMB)
SK55BH ●	5	50	120	0.75	500	150	DO-214AA (SMB)
SK55C	5	50	120	0.75	500	150	DO-214AB (SMC)
SK55CH ●	5	50	120	0.75	500	150	DO-214AB (SMC)
TSSA5U60	5	60	75	0.56	300	150	DO-214AC (SMA)
TSSA5U60H ●	5	60	75	0.56	300	150	DO-214AC (SMA)
TSUP5M60SH ●	5	60	110	0.64	200	175	TO-277A (SMPC4.6U)
SS56FSH ●	5	60	110	0.70	200	150	SOD-128
SS56ALH ●	5	60	110	0.70	200	150	Thin SMA
SR506 ●	5	60	120	0.70	500	150	DO-201AD
SRAF560 ●	5	60	120	0.70	500	150	ITO-220AC
SK56B	5	60	120	0.75	500	150	DO-214AA (SMB)
SK56BH ●	5	60	120	0.75	500	150	DO-214AA (SMB)
SK56C	5	60	120	0.75	500	150	DO-214AB (SMC)
SK56CH ●	5	60	120	0.75	500	150	DO-214AB (SMC)
MBRAD560H ●	5	60	120	0.80	100	150	ThinDPAK
SR509 ●	5	90	120	0.85	100	150	DO-201AD
SK59B	5	90	120	0.85	100	150	DO-214AA (SMB)
SK59BH ●	5	90	120	0.85	100	150	DO-214AA (SMB)
SRAF590 ●	5	90	120	0.85	200	150	ITO-220AC
SK59C	5	90	120	0.85	300	150	DO-214AB (SMC)
SK59CH ●	5	90	120	0.85	300	150	DO-214AB (SMC)
SS510FSH ●	5	100	110	0.85	10	150	SOD-128

Part Number	$I_{F(AV)}$	$V_{RRM}$	$I_{FSM}$	$V_F$	$I_R$	$T_j$ Max.	Package Description
	(A)	(V)	(A)	(V)	( $\mu$ A)	(°C)	
SS510ALH ●	5	100	110	0.85	10	150	Thin SMA
MBRAD5100H ●	5	100	120	0.85	10	150	ThinDPAK
SR510 ●	5	100	120	0.85	100	150	DO-201AD
SK510B	5	100	120	0.85	100	150	DO-214AA (SMB)
SK510BH ●	5	100	120	0.85	100	150	DO-214AA (SMB)
SRAF5100 ●	5	100	120	0.85	200	150	ITO-220AC
SK510C	5	100	120	0.85	300	150	DO-214AB (SMC)
SK510CH ●	5	100	120	0.85	300	150	DO-214AB (SMC)
MBRF5100 ●	5	100	120	0.90	100	150	ITO-220AC
TSPB5H150S	5	150	100	0.84	100	150	SMPC4.0
SS515FSH ●	5	150	110	0.95	10	150	SOD-128
SS515ALH ●	5	150	110	0.95	10	150	Thin SMA
MBRAD5150H ●	5	150	120	0.88	10	150	ThinDPAK
SK515B	5	150	120	0.95	100	150	DO-214AA (SMB)
SK515BH ●	5	150	120	0.95	100	150	DO-214AA (SMB)
SRAF5150 ●	5	150	120	0.95	200	150	ITO-220AC
SK515C	5	150	120	0.95	300	150	DO-214AB (SMC)
SK515CH ●	5	150	120	0.95	300	150	DO-214AB (SMC)
MBRF5150 ●	5	150	120	1.02	100	150	ITO-220AC
SR515 ●	5	150	120	1.05	100	150	DO-201AD
SS520FSH ●	5	200	110	0.95	10	150	SOD-128
SS520ALH ●	5	200	110	0.95	10	150	Thin SMA
MBRAD5200H ●	5	200	120	0.88	10	150	ThinDPAK
SK520C	5	200	120	0.95	300	150	DO-214AB (SMC)
SK520CH ●	5	200	120	0.95	300	150	DO-214AB (SMC)
MBRF5200 ●	5	200	120	1.02	100	150	ITO-220AC
SR520 ●	5	200	120	1.05	100	150	DO-201AD
MBRF735 ●	7.5	35	150		100	150	ITO-220AC

## SCHOTTKY RECTIFIER

(T<sub>A</sub>=25°C unless otherwise noted)

● =AEC-Q qualified

Part Number	$I_{F(AV)}$	$V_{RRM}$	$I_{FSM}$	$V_F$	$I_R$	$T_j$ Max.	Package Description
	(A)	(V)	(A)	(V)	( $\mu$ A)	(°C)	
MBR735 ●	7.5	35	150		100	150	TO-220AC
MBRF745 ●	7.5	45	150		100	150	ITO-220AC
MBR745 ●	7.5	45	150		100	150	TO-220AC
MBRF750 ●	7.5	50	150	0.75	100	150	ITO-220AC
MBR750 ●	7.5	50	150	0.75	100	150	TO-220AC
MBRF760 ●	7.5	60	150	0.75	100	150	ITO-220AC
MBR760 ●	7.5	60	150	0.75	100	150	TO-220AC
MBRF790 ●	7.5	90	150	0.92	100	150	ITO-220AC
MBR790 ●	7.5	90	150	0.92	100	150	TO-220AC
MBRF7100 ●	7.5	100	150	0.92	100	150	ITO-220AC
MBR7100 ●	7.5	100	150	0.92	100	150	TO-220AC
MBR7150 ●	7.5	150	150	0.95	100	150	TO-220AC
MBRF7150 ●	7.5	150	150	1.02	100	150	ITO-220AC
SRAS820	8	20	150	0.55	100	125	TO-263AB (D <sup>2</sup> -PAK)
SRAS820H ●	8	20	150	0.55	100	125	TO-263AB (D <sup>2</sup> -PAK)
SR802 ●	8	20	150	0.55	500	125	DO-201AD
SK82C	8	20	150	0.55	500	125	DO-214AB (SMC)
SK82CH ●	8	20	150	0.55	500	125	DO-214AB (SMC)
SRAF820 ●	8	20	150	0.55	500	125	ITO-220AC
SRA820 ●	8	20	150	0.55	500	125	TO-220AC
SRAS830	8	30	150	0.55	100	125	TO-263AB (D <sup>2</sup> -PAK)
SRAS830H ●	8	30	150	0.55	100	125	TO-263AB (D <sup>2</sup> -PAK)
SR803 ●	8	30	150	0.55	500	125	DO-201AD
SK83C	8	30	150	0.55	500	125	DO-214AB (SMC)
SK83CH ●	8	30	150	0.55	500	125	DO-214AB (SMC)
SRAF830 ●	8	30	150	0.55	500	125	ITO-220AC
SRA830 ●	8	30	150	0.55	500	125	TO-220AC
MBRF835CT ●	8	35	150	0.55	100	150	ITO-220AB

Part Number	$I_{F(AV)}$	$V_{RRM}$	$I_{FSM}$	$V_F$	$I_R$	$T_j$ Max.	Package Description
	(A)	(V)	(A)	(V)	( $\mu$ A)	(°C)	
SRAS840	8	40	150	0.55	100	125	TO-263AB (D <sup>2</sup> -PAK)
SRAS840H ●	8	40	150	0.55	100	125	TO-263AB (D <sup>2</sup> -PAK)
SR804 ●	8	40	150	0.55	500	125	DO-201AD
SK84C	8	40	150	0.55	500	125	DO-214AB (SMC)
SK84CH ●	8	40	150	0.55	500	125	DO-214AB (SMC)
SRAF840 ●	8	40	150	0.55	500	125	ITO-220AC
SRA840 ●	8	40	150	0.55	500	125	TO-220AC
MBRF845CT ●	8	45	150	0.55	100	150	ITO-220AB
TSUP8M45SH ●	8	45	150	0.60	200	175	TO-277A (SMPC4.6U)
MBRAD845H ●	8	45	150	0.70	100	150	ThinDPAK
MBRF850CT ●	8	50	150	0.70	100	150	ITO-220AB
SRAS850	8	50	150	0.70	100	150	TO-263AB (D <sup>2</sup> -PAK)
SRAS850H ●	8	50	150	0.70	100	150	TO-263AB (D <sup>2</sup> -PAK)
SR805 ●	8	50	150	0.70	500	150	DO-201AD
SRAF850 ●	8	50	150	0.70	500	150	ITO-220AC
SRA850 ●	8	50	150	0.70	500	150	TO-220AC
SK85C	8	50	150	0.75	500	150	DO-214AB (SMC)
SK85CH ●	8	50	150	0.75	500	150	DO-214AB (SMC)
TSUP8M60SH ●	8	60	150	0.64	600	175	TO-277A (SMPC4.6U)
MBRF860CT ●	8	60	150	0.70	100	150	ITO-220AB
SRAS860	8	60	150	0.70	100	150	TO-263AB (D <sup>2</sup> -PAK)
SRAS860H ●	8	60	150	0.70	100	150	TO-263AB (D <sup>2</sup> -PAK)
SR806 ●	8	60	150	0.70	500	150	DO-201AD
SRAF860 ●	8	60	150	0.70	500	150	ITO-220AC
SRA860 ●	8	60	150	0.70	500	150	TO-220AC
MBRAD860H ●	8	60	150	0.75	100	150	ThinDPAK
SK86C	8	60	150	0.75	500	150	DO-214AB (SMC)
SK86CH ●	8	60	150	0.75	500	150	DO-214AB (SMC)

## SCHOTTKY RECTIFIER

(T<sub>A</sub>=25°C unless otherwise noted)

● =AEC-Q qualified

Part Number	$I_{F(AV)}$	$V_{RRM}$	$I_{FSM}$	$V_F$	$I_R$	$T_j$ Max.	Package Description
	(A)	(V)	(A)	(V)	( $\mu$ A)	(°C)	
MBRF890CT ●	8	90	150	0.85	100	150	ITO-220AB
SRAF890 ●	8	90	150	0.85	100	150	ITO-220AC
SRA890 ●	8	90	150	0.85	100	150	TO-220AC
SR809 ●	8	90	150	0.92	100	150	DO-201AD
SRAS890	8	90	150	0.95	100	150	TO-263AB (D <sup>2</sup> -PAK)
SRAS890H ●	8	90	150	0.95	100	150	TO-263AB (D <sup>2</sup> -PAK)
MBRAD8100H ●	8	100	150	0.85	10	150	ThinDPAK
MBRF8100CT ●	8	100	150	0.85	100	150	ITO-220AB
SRAF8100 ●	8	100	150	0.85	100	150	ITO-220AC
SRA8100 ●	8	100	150	0.85	100	150	TO-220AC
SK810C	8	100	150	0.90	500	150	DO-214AB (SMC)
SK810CH ●	8	100	150	0.90	500	150	DO-214AB (SMC)
SSP8H100SH ●	8	100	150	0.92	10	150	TO-277A (SMPC)
SR810 ●	8	100	150	0.92	100	150	DO-201AD
SRAS8100	8	100	150	0.95	100	150	TO-263AB (D <sup>2</sup> -PAK)
SRAS8100H ●	8	100	150	0.95	100	150	TO-263AB (D <sup>2</sup> -PAK)
MBRAD8150H ●	8	150	150	0.95	10	150	ThinDPAK
MBRF8150CT ●	8	150	150	0.95	100	150	ITO-220AB
SRAF8150 ●	8	150	150	0.95	100	150	ITO-220AC
SRA8150 ●	8	150	150	0.95	100	150	TO-220AC
SRAS8150	8	150	150	0.95	100	150	TO-263AB (D <sup>2</sup> -PAK)
SRAS8150H ●	8	150	150	0.95	100	150	TO-263AB (D <sup>2</sup> -PAK)
SR815 ●	8	150	150	1.02	100	150	DO-201AD
MBRAD8200H ●	8	200	150	0.95	10	150	ThinDPAK
SR820 ●	8	200	150	1.02	100	150	DO-201AD
SRF1020 ●	10	20	120	0.55	500	125	ITO-220AB
SR1020 ●	10	20	120	0.55	500	125	TO-220AB
SRS1020	10	20	120	0.55	500	125	TO-263AB (D <sup>2</sup> -PAK)

Part Number	$I_{F(AV)}$	$V_{RRM}$	$I_{FSM}$	$V_F$	$I_R$	$T_j$ Max.	Package Description
	(A)	(V)	(A)	(V)	( $\mu$ A)	(°C)	
SRS1020H ●	10	20	120	0.55	500	125	TO-263AB (D <sup>2</sup> -PAK)
SRA1020 ●	10	20	170	0.55	500	125	TO-220AC
SRAF1020 ●	10	20	200	0.55	500	125	ITO-220AC
SRF1030 ●	10	30	120	0.55	500	125	ITO-220AB
SR1030 ●	10	30	120	0.55	500	125	TO-220AB
SRS1030	10	30	120	0.55	500	125	TO-263AB (D <sup>2</sup> -PAK)
SRS1030H ●	10	30	120	0.55	500	125	TO-263AB (D <sup>2</sup> -PAK)
SRA1030 ●	10	30	170	0.55	500	125	TO-220AC
SRAF1030 ●	10	30	200	0.55	500	125	ITO-220AC
MBRF1035CT ●	10	35	120	0.70	100	150	ITO-220AB
MBR1035CT ●	10	35	120	0.70	100	150	TO-220AB
MBRS1035CT	10	35	120	0.70	100	150	TO-263AB (D <sup>2</sup> -PAK)
MBRS1035CTH ●	10	35	120	0.70	100	150	TO-263AB (D <sup>2</sup> -PAK)
MBRS1035	10	35	120		100	175	TO-263AB (D <sup>2</sup> -PAK)
MBRS1035H ●	10	35	120		100	175	TO-263AB (D <sup>2</sup> -PAK)
MBRF1035 ●	10	35	150	0.70	100	150	ITO-220AC
MBR1035 ●	10	35	150	0.70	100	150	TO-220AC
SRF1040 ●	10	40	120	0.55	500	125	ITO-220AB
SR1040 ●	10	40	120	0.55	500	125	TO-220AB
SRS1040	10	40	120	0.55	500	125	TO-263AB (D <sup>2</sup> -PAK)
SRS1040H ●	10	40	120	0.55	500	125	TO-263AB (D <sup>2</sup> -PAK)
SRA1040 ●	10	40	170	0.55	500	125	TO-220AC
SRAF1040 ●	10	40	200	0.55	500	125	ITO-220AC
TSF10H45C	10	45	110	0.58	20	150	ITO-220AB
TST10H45C	10	45	110	0.58	20	150	TO-220AB
MBRF1045CT ●	10	45	120	0.70	100	150	ITO-220AB
MBRF1045CT-Y	10	45	120	0.70	100	150	ITO-220AB
MBRAD1045DH ●	10	45	120	0.70	100	150	ThinDPAK

## SCHOTTKY RECTIFIER

(T<sub>A</sub>=25°C unless otherwise noted)

● =AEC-Q qualified

Part Number	$I_{F(AV)}$	$V_{RRM}$	$I_{FSM}$	$V_F$	$I_R$	$T_j$ Max.	Package Description
	(A)	(V)	(A)	(V)	( $\mu$ A)	(°C)	
MBR1045CT ●	10	45	120	0.70	100	150	TO-220AB
MBR1045CT-Y	10	45	120	0.70	100	150	TO-220AB
MBRS1045CT	10	45	120	0.70	100	150	TO-263AB (D <sup>2</sup> -PAK)
MBRS1045CTH ●	10	45	120	0.70	100	150	TO-263AB (D <sup>2</sup> -PAK)
MBRS1045CT-Y	10	45	120	0.70	100	150	TO-263AB (D <sup>2</sup> -PAK)
MBRS1045	10	45	120		100	175	TO-263AB (D <sup>2</sup> -PAK)
MBRS1045H ●	10	45	120		100	175	TO-263AB (D <sup>2</sup> -PAK)
MBRF1045 ●	10	45	150	0.70	100	150	ITO-220AC
MBR1045 ●	10	45	150	0.70	100	150	TO-220AC
TSP10H45S	10	45	180	0.57	150	150	TO-277A (SMPC)
MBRAD1045H ●	10	45	200	0.75	100	150	ThinDPAK
TSUP10M45SH ●	10	45	220	0.60	200	175	TO-277A (SMPC4.6U)
SRF1050 ●	10	50	120	0.70	500	125	ITO-220AB
SR1050 ●	10	50	120	0.70	500	150	TO-220AB
SRS1050	10	50	120	0.70	500	150	TO-263AB (D <sup>2</sup> -PAK)
SRS1050H ●	10	50	120	0.70	500	150	TO-263AB (D <sup>2</sup> -PAK)
MBRF1050CT ●	10	50	120	0.80	100	150	ITO-220AB
MBR1050CT ●	10	50	120	0.80	100	150	TO-220AB
MBRS1050CT	10	50	120	0.80	100	150	TO-263AB (D <sup>2</sup> -PAK)
MBRS1050CTH ●	10	50	120	0.80	100	150	TO-263AB (D <sup>2</sup> -PAK)
MBRS1050	10	50	120	0.80	100	175	TO-263AB (D <sup>2</sup> -PAK)
MBRS1050H ●	10	50	120	0.80	100	175	TO-263AB (D <sup>2</sup> -PAK)
MBRF1050 ●	10	50	150	0.80	100	150	ITO-220AC
MBR1050 ●	10	50	150	0.80	100	150	TO-220AC
SRA1050 ●	10	50	170	0.70	500	150	TO-220AC
SRAF1050 ●	10	50	200	0.70	500	150	ITO-220AC
TSF10H60C	10	60	90	0.62	15	150	ITO-220AB
TST10H60C	10	60	90	0.62	15	150	TO-220AB

Part Number	$I_{F(AV)}$	$V_{RRM}$	$I_{FSM}$	$V_F$	$I_R$	$T_j$ Max.	Package Description
	(A)	(V)	(A)	(V)	( $\mu$ A)	(°C)	
SRF1060 ●	10	60	120	0.70	500	150	ITO-220AB
SR1060 ●	10	60	120	0.70	500	150	TO-220AB
SRS1060	10	60	120	0.70	500	150	TO-263AB (D <sup>2</sup> -PAK)
SRS1060H ●	10	60	120	0.70	500	150	TO-263AB (D <sup>2</sup> -PAK)
MBRF1060CT ●	10	60	120	0.80	100	150	ITO-220AB
MBRF1060CT-Y	10	60	120	0.80	100	150	ITO-220AB
MBRAD1060DH ●	10	60	120	0.80	100	150	ThinDPAK
MBR1060CT ●	10	60	120	0.80	100	150	TO-220AB
MBR1060CT-Y	10	60	120	0.80	100	150	TO-220AB
MBRS1060CT	10	60	120	0.80	100	150	TO-263AB (D <sup>2</sup> -PAK)
MBRS1060CTH ●	10	60	120	0.80	100	150	TO-263AB (D <sup>2</sup> -PAK)
MBRS1060CT-Y	10	60	120	0.80	100	150	TO-263AB (D <sup>2</sup> -PAK)
MBRS1060	10	60	120	0.80	100	175	TO-263AB (D <sup>2</sup> -PAK)
MBRS1060H ●	10	60	120	0.80	100	175	TO-263AB (D <sup>2</sup> -PAK)
MBRF1060 ●	10	60	150	0.80	100	150	ITO-220AC
MBR1060 ●	10	60	150	0.80	100	150	TO-220AC
SRA1060 ●	10	60	170	0.70	500	150	TO-220AC
TSP10H60S	10	60	180	0.64	150	150	TO-277A (SMPC)
SRAF1060 ●	10	60	200	0.70	500	150	ITO-220AC
MBRAD1060H ●	10	60	200	0.80	100	150	ThinDPAK
TSUP10M60SH ●	10	60	220	0.64	250	175	TO-277A (SMPC4.6U)
TSP10U60S	10	60	280	0.54	300	150	TO-277A (SMPC)
MBRF1090CT ●	10	90	120	0.85	100	150	ITO-220AB
MBR1090CT ●	10	90	120	0.85	100	150	TO-220AB
SR1090 ●	10	90	120	0.85	100	150	TO-220AB
MBRS1090CT	10	90	120	0.85	100	150	TO-263AB (D <sup>2</sup> -PAK)
MBRS1090CTH ●	10	90	120	0.85	100	150	TO-263AB (D <sup>2</sup> -PAK)
MBRS1090	10	90	120	0.85	100	175	TO-263AB (D <sup>2</sup> -PAK)



## SCHOTTKY RECTIFIER

(T<sub>A</sub>=25°C unless otherwise noted)

● =AEC-Q qualified

Part Number	$I_{F(AV)}$	$V_{RRM}$	$I_{FSM}$	$V_F$	$I_R$	$T_j$ Max.	Package Description
	(A)	(V)	(A)	(V)	( $\mu$ A)	(°C)	
MBRS1090H ●	10	90	120	0.85	100	175	TO-263AB (D <sup>2</sup> -PAK)
SRF1090 ●	10	90	120	0.90	100	150	ITO-220AB
SRS1090	10	90	120	0.90	100	150	TO-263AB (D <sup>2</sup> -PAK)
SRS1090H ●	10	90	120	0.90	100	150	TO-263AB (D <sup>2</sup> -PAK)
MBRF1090 ●	10	90	150	0.85	100	150	ITO-220AC
MBR1090 ●	10	90	150	0.85	100	150	TO-220AC
SRA1090 ●	10	90	170	0.85	100	150	TO-220AC
SRAF1090 ●	10	90	200	0.85	100	150	ITO-220AC
TSF10H100C	10	100	100	0.70	100	150	ITO-220AB
TST10H100CW	10	100	100	0.70	100	150	TO-220AB
TSD10H100CW	10	100	100	0.70	100	150	TO-263AB (D <sup>2</sup> -PAK)
TSF10L100CW	10	100	100	0.80	100	150	ITO-220AB
MBRF10L100CT ●	10	100	120	0.76	20	150	ITO-220AB
MBR10L100CT ●	10	100	120	0.76	20	150	TO-220AB
MBRF10H100CT ●	10	100	120	0.85	5	175	ITO-220AB
MBR10H100CT ●	10	100	120	0.85	5	175	TO-220AB
MBRS10H100CT	10	100	120	0.85	5	175	TO-263AB (D <sup>2</sup> -PAK)
MBRS10H100CTH ●	10	100	120	0.85	5	175	TO-263AB (D <sup>2</sup> -PAK)
MBRAD10100DH ●	10	100	120	0.85	10	150	ThinDPAK
MBRF10100CT ●	10	100	120	0.85	100	150	ITO-220AB
MBRF10100CT-Y	10	100	120	0.85	100	150	ITO-220AB
MBR10100CT ●	10	100	120	0.85	100	150	TO-220AB
MBR10100CT-Y	10	100	120	0.85	100	150	TO-220AB
SR10100 ●	10	100	120	0.85	100	150	TO-220AB
MBRS10100CT	10	100	120	0.85	100	150	TO-263AB (D <sup>2</sup> -PAK)
MBRS10100CTH ●	10	100	120	0.85	100	150	TO-263AB (D <sup>2</sup> -PAK)
MBRS10100CT-Y	10	100	120	0.85	100	150	TO-263AB (D <sup>2</sup> -PAK)
MBRS10100	10	100	120	0.85	100	175	TO-263AB (D <sup>2</sup> -PAK)

Part Number	$I_{F(AV)}$	$V_{RRM}$	$I_{FSM}$	$V_F$	$I_R$	$T_j$ Max.	Package Description
	(A)	(V)	(A)	(V)	( $\mu$ A)	(°C)	
MBRS10100H ●	10	100	120	0.85	100	175	TO-263AB (D <sup>2</sup> -PAK)
SRF10100 ●	10	100	120	0.90	100	150	ITO-220AB
SRS10100	10	100	120	0.90	100	150	TO-263AB (D <sup>2</sup> -PAK)
SRS10100H ●	10	100	120	0.90	100	150	TO-263AB (D <sup>2</sup> -PAK)
MBRF10100 ●	10	100	150	0.85	100	150	ITO-220AC
MBR10100 ●	10	100	150	0.85	100	150	TO-220AC
SRA10100 ●	10	100	170	0.85	100	150	TO-220AC
MBRAD10100H ●	10	100	200	0.83	10	150	ThinDPAK
SRAF10100 ●	10	100	200	0.85	100	150	ITO-220AC
TSF10H120C	10	120	100	0.74	100	150	ITO-220AB
TST10H120CW	10	120	100	0.79	100	150	TO-220AB
TSD10H120CW	10	120	100	0.79	100	150	TO-263AB (D <sup>2</sup> -PAK)
TSF10L150CW	10	150	100	0.88	50	150	ITO-220AB
TSF10H150C	10	150	100	0.88	100	150	ITO-220AB
TST10H150CW	10	150	100	0.88	100	150	TO-220AB
TSD10H150CW	10	150	100	0.88	100	150	TO-263AB (D <sup>2</sup> -PAK)
MBRF10H150CT ●	10	150	120	0.88	5	175	ITO-220AB
MBR10H150CT ●	10	150	120	0.88	5	175	TO-220AB
MBRS10H150CT	10	150	120	0.88	5	175	TO-263AB (D <sup>2</sup> -PAK)
MBRS10H150CTH ●	10	150	120	0.88	5	175	TO-263AB (D <sup>2</sup> -PAK)
MBRAD10150DH ●	10	150	120	0.88	10	150	ThinDPAK
MBRF10150CT ●	10	150	120	0.88	100	150	ITO-220AB
MBRF10150CT-Y	10	150	120	0.88	100	150	ITO-220AB
MBR10150CT ●	10	150	120	0.88	100	150	TO-220AB
MBR10150CT-Y	10	150	120	0.88	100	150	TO-220AB
MBRS10150CT	10	150	120	0.88	100	150	TO-263AB (D <sup>2</sup> -PAK)
MBRS10150CTH ●	10	150	120	0.88	100	150	TO-263AB (D <sup>2</sup> -PAK)
MBRS10150CT-Y	10	150	120	0.88	100	150	TO-263AB (D <sup>2</sup> -PAK)

## SCHOTTKY RECTIFIER

(T<sub>A</sub>=25°C unless otherwise noted)

● =AEC-Q qualified

Part Number	$I_{F(AV)}$	$V_{RRM}$	$I_{FSM}$	$V_F$	$I_R$	$T_j$ Max.	Package Description
	(A)	(V)	(A)	(V)	( $\mu$ A)	(°C)	
SR10150 ●	10	150	120	0.95	100	150	TO-220AB
SRF10150 ●	10	150	120	1.00	100	150	ITO-220AB
SRS10150	10	150	120	1.00	100	150	TO-263AB (D <sup>2</sup> -PAK)
SRS10150H ●	10	150	120	1.00	100	150	TO-263AB (D <sup>2</sup> -PAK)
MBRS10150	10	150	120	1.05	100	175	TO-263AB (D <sup>2</sup> -PAK)
MBRS10150H ●	10	150	120	1.05	100	175	TO-263AB (D <sup>2</sup> -PAK)
MBRF10150 ●	10	150	150	1.05	100	150	ITO-220AC
MBR10150 ●	10	150	150	1.05	100	150	TO-220AC
SRA10150 ●	10	150	170	0.95	100	150	TO-220AC
MBRAD10150H ●	10	150	200	0.88	10	150	ThinDPAK
SRAF10150 ●	10	150	200	0.95	100	150	ITO-220AC
TSF10L200CW	10	200	100	0.90	50	150	ITO-220AB
TST10L200CW	10	200	100	0.90	50	150	TO-220AB
TSD10L200CW	10	200	100	0.90	50	150	TO-263AB (D <sup>2</sup> -PAK)
TSF10H200C	10	200	100	0.91	100	150	ITO-220AB
TST10H200CW	10	200	100	0.91	100	150	TO-220AB
TSD10H200CW	10	200	100	0.91	100	150	TO-263AB (D <sup>2</sup> -PAK)
MBRF10H200CT ●	10	200	120	0.88	5	175	ITO-220AB
MBR10H200CT ●	10	200	120	0.88	5	175	TO-220AB
MBRS10H200CT	10	200	120	0.88	5	175	TO-263AB (D <sup>2</sup> -PAK)
MBRS10H200CTH ●	10	200	120	0.88	5	175	TO-263AB (D <sup>2</sup> -PAK)
MBRAD10200DH ●	10	200	120	0.88	10	150	ThinDPAK
MBRF10200CT ●	10	200	120	0.88	100	150	ITO-220AB
MBRF10200CT-Y	10	200	120	0.88	100	150	ITO-220AB
MBR10200CT ●	10	200	120	0.88	100	150	TO-220AB
MBR10200CT-Y	10	200	120	0.88	100	150	TO-220AB
SRF10200 ●	10	200	120	1.00	100	150	ITO-220AB
MBRF10200 ●	10	200	150	1.05	100	150	ITO-220AC

Part Number	$I_{F(AV)}$	$V_{RRM}$	$I_{FSM}$	$V_F$	$I_R$	$T_j$ Max.	Package Description
	(A)	(V)	(A)	(V)	( $\mu$ A)	(°C)	
MBR10200 ●	10	200	150	1.05	100	150	TO-220AC
TSP10H200S	10	200	180	0.91	100	150	TO-277A (SMPC)
MBRAD10200H ●	10	200	200	0.88	10	150	ThinDPAK
SR1202 ●	12	20	280	0.55	500	150	DO-201AD
SR1203 ●	12	30	320	0.55	500	150	DO-201AD
SR1204 ●	12	40	320	0.55	500	150	DO-201AD
SK12H45 ●	12	45	320	0.55	150	175	DO-201AD
SK12H60 ●	12	60	320	0.70	150	175	DO-201AD
MBRS1535CT	15	35	150		100	150	TO-263AB (D <sup>2</sup> -PAK)
MBRS1535CTH ●	15	35	150		100	150	TO-263AB (D <sup>2</sup> -PAK)
MBRF1535CT ●	15	35	150		500	150	ITO-220AB
MBR1535CT ●	15	35	150		500	150	TO-220AB
MBRS15H45CT	15	45	150	0.68	30	175	TO-263AB (D <sup>2</sup> -PAK)
MBRS15H45CTH ●	15	45	150	0.68	30	175	TO-263AB (D <sup>2</sup> -PAK)
MBRAD1545DH ●	15	45	150	0.70	100	150	ThinDPAK
MBRS1545CT	15	45	150		100	150	TO-263AB (D <sup>2</sup> -PAK)
MBRS1545CTH ●	15	45	150		100	150	TO-263AB (D <sup>2</sup> -PAK)
MBRS1545CT-Y	15	45	150		100	150	TO-263AB (D <sup>2</sup> -PAK)
MBRF1545CT ●	15	45	150		500	150	ITO-220AB
MBRF1545CT-Y	15	45	150		500	150	ITO-220AB
MBR1545CT ●	15	45	150		500	150	TO-220AB
MBR1545CT-Y	15	45	150		500	150	TO-220AB
TSPB15U45S	15	45	200	0.56	300	150	SMPC4.0
MBRAD1545H ●	15	45	250	0.63	200	150	ThinDPAK
TSUP15M45SH ●	15	45	290	0.60	350	175	TO-277A (SMPC4.6U)
MBRS1550CT	15	50	150	0.75	100	150	TO-263AB (D <sup>2</sup> -PAK)
MBRS1550CTH ●	15	50	150	0.75	100	150	TO-263AB (D <sup>2</sup> -PAK)
MBRF1550CT ●	15	50	150	0.75	300	150	ITO-220AB

## SCHOTTKY RECTIFIER

(T<sub>A</sub>=25°C unless otherwise noted)

● =AEC-Q qualified

Part Number	$I_{F(AV)}$	$V_{RRM}$	$I_{FSM}$	$V_F$	$I_R$	$T_j$ Max.	Package Description
	(A)	(V)	(A)	(V)	( $\mu$ A)	(°C)	
MBR1550CT ●	15	50	150	0.75	300	150	TO-220AB
TSPB15U50S	15	50	200	0.56	2000	150	SMPC4.0
TSP15U50S	15	50	280	0.56	2000	150	TO-277A (SMPC)
MBRAD1560DH ●	15	60	150	0.75	100	150	ThinDPAK
MBRS1560CT	15	60	150	0.75	100	150	TO-263AB (D <sup>2</sup> -PAK)
MBRS1560CTH ●	15	60	150	0.75	100	150	TO-263AB (D <sup>2</sup> -PAK)
MBRS1560CT-Y	15	60	150	0.75	100	150	TO-263AB (D <sup>2</sup> -PAK)
MBRF1560CT ●	15	60	150	0.75	300	150	ITO-220AB
MBRF1560CT-Y	15	60	150	0.75	300	150	ITO-220AB
MBR1560CT ●	15	60	150	0.75	300	150	TO-220AB
MBR1560CT-Y	15	60	150	0.75	300	150	TO-220AB
MBRAD1560H ●	15	60	250	0.75	100	150	ThinDPAK
TSUP15M60SH ●	15	60	290	0.64	450	175	TO-277A (SMPC4.6U)
MBRF1590CT ●	15	90	150	0.92	100	150	ITO-220AB
MBR1590CT ●	15	90	150	0.92	100	150	TO-220AB
MBRS1590CT	15	90	150	0.92	100	150	TO-263AB (D <sup>2</sup> -PAK)
MBRS1590CTH ●	15	90	150	0.92	100	150	TO-263AB (D <sup>2</sup> -PAK)
MBRAD15100DH ●	15	100	150	0.85	10	150	ThinDPAK
MBRF15100CT ●	15	100	150	0.92	100	150	ITO-220AB
MBRF15100CT-Y	15	100	150	0.92	100	150	ITO-220AB
MBR15100CT ●	15	100	150	0.92	100	150	TO-220AB
MBR15100CT-Y	15	100	150	0.92	100	150	TO-220AB
MBRS15100CT	15	100	150	0.92	100	150	TO-263AB (D <sup>2</sup> -PAK)
MBRS15100CTH ●	15	100	150	0.92	100	150	TO-263AB (D <sup>2</sup> -PAK)
MBRS15100CT-Y	15	100	150	0.92	100	150	TO-263AB (D <sup>2</sup> -PAK)
MBRAD15100H ●	15	100	250	0.85	10	150	ThinDPAK
MBRAD15150DH ●	15	150	150	0.95	10	150	ThinDPAK
MBRF15150CT ●	15	150	150	0.95	100	150	ITO-220AB

Part Number	$I_{F(AV)}$	$V_{RRM}$	$I_{FSM}$	$V_F$	$I_R$	$T_j$ Max.	Package Description
	(A)	(V)	(A)	(V)	( $\mu$ A)	(°C)	
MBRF15150CT-Y	15	150	150	0.95	100	150	ITO-220AB
MBRS15150CT	15	150	150	0.95	100	150	TO-263AB (D <sup>2</sup> -PAK)
MBRS15150CTH ●	15	150	150	0.95	100	150	TO-263AB (D <sup>2</sup> -PAK)
MBRS15150CT-Y	15	150	150	0.95	100	150	TO-263AB (D <sup>2</sup> -PAK)
MBR15150CT ●	15	150	150	1.05	100	150	TO-220AB
MBR15150CT-Y	15	150	150	1.05	100	150	TO-220AB
MBRAD15150H ●	15	150	240	0.95	10	150	ThinDPAK
TSP15H150S	15	150	250	0.84	150	150	TO-277A (SMPC)
MBRAD15200DH ●	15	200	150	0.95	10	150	ThinDPAK
MBRF15200CT-Y	15	200	150	0.95	100	150	ITO-220AB
MBRS15200CT-Y	15	200	150	0.95	100	150	TO-263AB (D <sup>2</sup> -PAK)
MBR15200CT-Y	15	200	150	1.05	100	150	TO-220AB
TSP15H200S	15	200	250	0.89	150	150	TO-277A (SMPC)
SRS1620 ●	16	20	150	0.55	500	125	TO-263AB (D <sup>2</sup> -PAK)
SRS1620H ●	16	20	150	0.55	500	125	TO-263AB (D <sup>2</sup> -PAK)
SR1620 ●	16	20	170	0.55	500	125	TO-220AB
SRF1620 ●	16	20	200	0.55	500	125	ITO-220AB
SRA1620 ●	16	20	200	0.55	500	125	TO-220AC
SR1620PT ●	16	20	200	0.55	500	125	TO-247AD (TO-3P)
SRAF1620 ●	16	20	275	0.55	500	125	ITO-220AC
SRS1630 ●	16	30	150	0.55	500	125	TO-263AB (D <sup>2</sup> -PAK)
SRS1630H ●	16	30	150	0.55	500	125	TO-263AB (D <sup>2</sup> -PAK)
SR1630 ●	16	30	170	0.55	500	125	TO-220AB
SRF1630 ●	16	30	200	0.55	500	125	ITO-220AB
SRA1630 ●	16	30	200	0.55	500	125	TO-220AC
SR1630PT ●	16	30	200	0.55	500	125	TO-247AD (TO-3P)
SRAF1630 ●	16	30	275	0.55	500	125	ITO-220AC
MBRF1635 ●	16	35	150	0.63	500	150	ITO-220AC

## SCHOTTKY RECTIFIER

(T<sub>A</sub>=25°C unless otherwise noted)

● =AEC-Q qualified

Part Number	$I_{F(AV)}$	$V_{RRM}$	$I_{FSM}$	$V_F$	$I_R$	$T_j$ Max.	Package Description
	(A)	(V)	(A)	(V)	( $\mu$ A)	(°C)	
MBR1635 ●	16	35	150	0.63	500	150	TO-220AC
MBRS1635	16	35	150	0.63	500	150	TO-263AB (D <sup>2</sup> -PAK)
MBRS1635H ●	16	35	150	0.63	500	150	TO-263AB (D <sup>2</sup> -PAK)
SRS1640 ●	16	40	150	0.55	500	125	TO-263AB (D <sup>2</sup> -PAK)
SRS1640H ●	16	40	150	0.55	500	125	TO-263AB (D <sup>2</sup> -PAK)
SR1640 ●	16	40	170	0.55	500	125	TO-220AB
SRF1640 ●	16	40	200	0.55	500	125	ITO-220AB
SRA1640 ●	16	40	200	0.55	500	125	TO-220AC
SR1640PT ●	16	40	200	0.55	500	125	TO-247AD (TO-3P)
SRAF1640 ●	16	40	275	0.55	500	125	ITO-220AC
MBRF1645 ●	16	45	150	0.63	500	150	ITO-220AC
MBR1645 ●	16	45	150	0.63	500	150	TO-220AC
MBRS1645	16	45	150	0.63	500	150	TO-263AB (D <sup>2</sup> -PAK)
MBRS1645H ●	16	45	150	0.63	500	150	TO-263AB (D <sup>2</sup> -PAK)
MBRF16H45	16	45	275	0.63	500	150	ITO-220AC
SRS1650 ●	16	50	150	0.70	500	150	TO-263AB (D <sup>2</sup> -PAK)
SRS1650H ●	16	50	150	0.70	500	150	TO-263AB (D <sup>2</sup> -PAK)
MBRF1650 ●	16	50	150	0.75	500	150	ITO-220AC
MBR1650 ●	16	50	150	0.75	500	150	TO-220AC
MBRS1650	16	50	150	0.75	500	150	TO-263AB (D <sup>2</sup> -PAK)
MBRS1650H ●	16	50	150	0.75	500	150	TO-263AB (D <sup>2</sup> -PAK)
SR1650 ●	16	50	170	0.70	500	150	TO-220AB
SRF1650 ●	16	50	200	0.70	500	125	ITO-220AB
SRA1650 ●	16	50	200	0.70	500	150	TO-220AC
SR1650PT ●	16	50	200	0.70	500	150	TO-247AD (TO-3P)
SRAF1650 ●	16	50	275	0.70	500	150	ITO-220AC
SRS1660 ●	16	60	150	0.70	500	150	TO-263AB (D <sup>2</sup> -PAK)
SRS1660H ●	16	60	150	0.70	500	150	TO-263AB (D <sup>2</sup> -PAK)

Part Number	$I_{F(AV)}$	$V_{RRM}$	$I_{FSM}$	$V_F$	$I_R$	$T_j$ Max.	Package Description
	(A)	(V)	(A)	(V)	( $\mu$ A)	(°C)	
MBRF1660 ●	16	60	150	0.75	500	150	ITO-220AC
MBR1660 ●	16	60	150	0.75	500	150	TO-220AC
MBRS1660	16	60	150	0.75	500	150	TO-263AB (D <sup>2</sup> -PAK)
MBRS1660H ●	16	60	150	0.75	500	150	TO-263AB (D <sup>2</sup> -PAK)
SR1660 ●	16	60	170	0.70	500	150	TO-220AB
SRF1660 ●	16	60	200	0.70	500	150	ITO-220AB
SRA1660 ●	16	60	200	0.70	500	150	TO-220AC
SR1660PT ●	16	60	200	0.70	500	150	TO-247AD (TO-3P)
SRAF1660 ●	16	60	275	0.70	500	150	ITO-220AC
MBRF1690 ●	16	90	150	0.85	300	150	ITO-220AC
MBR1690 ●	16	90	150	0.85	300	150	TO-220AC
MBRS1690	16	90	150	0.85	300	150	TO-263AB (D <sup>2</sup> -PAK)
MBRS1690H ●	16	90	150	0.85	300	150	TO-263AB (D <sup>2</sup> -PAK)
SRS1690 ●	16	90	150	0.90	100	150	TO-263AB (D <sup>2</sup> -PAK)
SRS1690H ●	16	90	150	0.90	100	150	TO-263AB (D <sup>2</sup> -PAK)
SR1690 ●	16	90	170	0.90	100	150	TO-220AB
SRF1690 ●	16	90	200	0.90	100	150	ITO-220AB
SR1690PT ●	16	90	200	0.90	100	150	TO-247AD (TO-3P)
SRA1690 ●	16	90	200	0.92	100	150	TO-220AC
SRAF1690 ●	16	90	275	0.92	100	150	ITO-220AC
MBRF16100 ●	16	100	150	0.85	300	150	ITO-220AC
MBR16100 ●	16	100	150	0.85	300	150	TO-220AC
MBRS16100	16	100	150	0.85	300	150	TO-263AB (D <sup>2</sup> -PAK)
MBRS16100H ●	16	100	150	0.85	300	150	TO-263AB (D <sup>2</sup> -PAK)
SRS16100 ●	16	100	150	0.90	100	150	TO-263AB (D <sup>2</sup> -PAK)
SRS16100H ●	16	100	150	0.90	100	150	TO-263AB (D <sup>2</sup> -PAK)
SR16100 ●	16	100	170	0.90	100	150	TO-220AB
SRF16100 ●	16	100	200	0.90	100	150	ITO-220AB

## SCHOTTKY RECTIFIER

(T<sub>A</sub>=25°C unless otherwise noted)

● =AEC-Q qualified

Part Number	$I_{F(AV)}$	$V_{RRM}$	$I_{FSM}$	$V_F$	$I_R$	$T_j$ Max.	Package Description
	(A)	(V)	(A)	(V)	( $\mu$ A)	(°C)	
SR16100PT ●	16	100	200	0.90	100	150	TO-247AD (TO-3P)
SRA16100 ●	16	100	200	0.92	100	150	TO-220AC
SRAF16100 ●	16	100	275	0.92	100	150	ITO-220AC
MBRF16150 ●	16	150	150	0.95	100	150	ITO-220AC
MBR16150 ●	16	150	150	0.95	100	150	TO-220AC
MBRS16150	16	150	150	0.95	100	150	TO-263AB (D <sup>2</sup> -PAK)
MBRS16150H ●	16	150	150	0.95	100	150	TO-263AB (D <sup>2</sup> -PAK)
SR16150 ●	16	150	170	1.05	100	150	TO-220AB
SRF16150 ●	16	150	200	1.00	100	150	ITO-220AB
SR16150PT ●	16	150	200	1.00	100	150	TO-247AD (TO-3P)
SRF2020 ●	20	20	200	0.55	500	125	ITO-220AB
SR2020 ●	20	20	200	0.55	500	125	TO-220AB
SR2020PT ●	20	20	200	0.55	500	125	TO-247AD (TO-3P)
SRS2020	20	20	200	0.55	500	125	TO-263AB (D <sup>2</sup> -PAK)
SRS2020H ●	20	20	200	0.55	500	125	TO-263AB (D <sup>2</sup> -PAK)
SRA2020 ●	20	20	300	0.55	500	125	TO-220AC
SRAS2020	20	20	330	0.57	500	150	TO-263AB (D <sup>2</sup> -PAK)
SRAS2020H ●	20	20	330	0.57	500	150	TO-263AB (D <sup>2</sup> -PAK)
SRF2030 ●	20	30	200	0.55	500	125	ITO-220AB
SR2030 ●	20	30	200	0.55	500	125	TO-220AB
SR2030PT ●	20	30	200	0.55	500	125	TO-247AD (TO-3P)
SRS2030	20	30	200	0.55	500	125	TO-263AB (D <sup>2</sup> -PAK)
SRS2030H ●	20	30	200	0.55	500	125	TO-263AB (D <sup>2</sup> -PAK)
SRA2030 ●	20	30	300	0.55	500	125	TO-220AC
SRAS2030	20	30	330	0.57	500	150	TO-263AB (D <sup>2</sup> -PAK)
SRAS2030H ●	20	30	330	0.57	500	150	TO-263AB (D <sup>2</sup> -PAK)
MBRS2035CT	20	35	150	0.65	100	150	TO-263AB (D <sup>2</sup> -PAK)
MBRS2035CTH ●	20	35	150	0.65	100	150	TO-263AB (D <sup>2</sup> -PAK)

Part Number	$I_{F(AV)}$	$V_{RRM}$	$I_{FSM}$	$V_F$	$I_R$	$T_j$ Max.	Package Description
	(A)	(V)	(A)	(V)	( $\mu$ A)	(°C)	
MBRF2035 ●	20	35	150	0.75	200	150	ITO-220AC
MBRF2035CT ●	20	35	150	0.80	100	150	ITO-220AB
MBR2035CT ●	20	35	150		100	150	TO-220AB
MBR2035CT-Y	20	35	150		100	150	TO-220AB
MBR2035PT ●	20	35	150		100	150	TO-247AD (TO-3P)
SRF2040 ●	20	40	200	0.55	500	125	ITO-220AB
SR2040 ●	20	40	200	0.55	500	125	TO-220AB
SR2040PT ●	20	40	200	0.55	500	125	TO-247AD (TO-3P)
SRS2040	20	40	200	0.55	500	125	TO-263AB (D <sup>2</sup> -PAK)
SRS2040H ●	20	40	200	0.55	500	125	TO-263AB (D <sup>2</sup> -PAK)
SRA2040 ●	20	40	300	0.55	500	125	TO-220AC
SRAS2040	20	40	330	0.57	500	150	TO-263AB (D <sup>2</sup> -PAK)
SRAS2040H ●	20	40	330	0.57	500	150	TO-263AB (D <sup>2</sup> -PAK)
TST20U45C	20	45	120	0.53	300	150	TO-220AB
MBRS2045CT	20	45	150	0.65	100	150	TO-263AB (D <sup>2</sup> -PAK)
MBRS2045CTH ●	20	45	150	0.65	100	150	TO-263AB (D <sup>2</sup> -PAK)
MBRS2045CT-Y	20	45	150	0.70	100	150	TO-263AB (D <sup>2</sup> -PAK)
MBRF2045 ●	20	45	150	0.75	200	150	ITO-220AC
MBRF2045CT ●	20	45	150	0.80	100	150	ITO-220AB
MBRF2045CT-Y	20	45	150	0.80	100	150	ITO-220AB
MBR2045CT ●	20	45	150		100	150	TO-220AB
MBR2045CT-Y	20	45	150		100	150	TO-220AB
MBR2045PT ●	20	45	150		100	150	TO-247AD (TO-3P)
TSF20U45C	20	45	180	0.53	300	150	ITO-220AB
TSF20H45C	20	45	210	0.57	55	150	ITO-220AB
TST20H45C	20	45	210	0.57	58	150	TO-220AB
MBRAD2045H ●	20	45	330	0.73	100	150	ThinDPAK
MBRF2050CT ●	20	50	150	0.80	100	150	ITO-220AB

## SCHOTTKY RECTIFIER

(T<sub>A</sub>=25°C unless otherwise noted)

● =AEC-Q qualified

Part Number	$I_{F(AV)}$	$V_{RRM}$	$I_{FSM}$	$V_F$	$I_R$	$T_j$ Max.	Package Description
	(A)	(V)	(A)	(V)	( $\mu$ A)	(°C)	
MBR2050CT ●	20	50	150	0.80	100	150	TO-220AB
MBR2050CT-Y	20	50	150	0.80	100	150	TO-220AB
MBR2050PT ●	20	50	150	0.80	100	150	TO-247AD (TO-3P)
MBRS2050CT	20	50	150	0.80	100	150	TO-263AB (D <sup>2</sup> -PAK)
MBRS2050CTH ●	20	50	150	0.80	100	150	TO-263AB (D <sup>2</sup> -PAK)
MBRF2050 ●	20	50	150	0.82	200	150	ITO-220AC
SRF2050 ●	20	50	200	0.70	500	125	ITO-220AB
SR2050 ●	20	50	200	0.70	500	150	TO-220AB
SR2050PT ●	20	50	200	0.70	500	150	TO-247AD (TO-3P)
SRS2050	20	50	200	0.70	500	150	TO-263AB (D <sup>2</sup> -PAK)
SRS2050H ●	20	50	200	0.70	500	150	TO-263AB (D <sup>2</sup> -PAK)
SRA2050 ●	20	50	300	0.70	500	150	TO-220AC
SRAS2050	20	50	330	0.70	500	150	TO-263AB (D <sup>2</sup> -PAK)
SRAS2050H ●	20	50	330	0.70	500	150	TO-263AB (D <sup>2</sup> -PAK)
TST20U60C	20	60	120	0.54	300	150	TO-220AB
MBRF2060CT ●	20	60	150	0.80	100	150	ITO-220AB
MBRF2060CT-Y	20	60	150	0.80	100	150	ITO-220AB
MBR2060CT ●	20	60	150	0.80	100	150	TO-220AB
MBR2060CT-Y	20	60	150	0.80	100	150	TO-220AB
MBR2060PT ●	20	60	150	0.80	100	150	TO-247AD (TO-3P)
MBRS2060CT-Y	20	60	150	0.80	100	150	TO-263AB (D <sup>2</sup> -PAK)
MBRS2060CT	20	60	150	0.80	100	150	TO-263AB (D <sup>2</sup> -PAK)
MBRS2060CTH ●	20	60	150	0.80	100	150	TO-263AB (D <sup>2</sup> -PAK)
MBRF2060 ●	20	60	150	0.82	200	150	ITO-220AC
TSF20U60C	20	60	200	0.54	300	150	ITO-220AB
TSN520M60H ●	20	60	200	0.58	500	150	PDFN56
TST20H60C	20	60	200	0.65	29	150	TO-220AB
TSF20H60C	20	60	200	0.65	30	150	ITO-220AB

Part Number	$I_{F(AV)}$	$V_{RRM}$	$I_{FSM}$	$V_F$	$I_R$	$T_j$ Max.	Package Description
	(A)	(V)	(A)	(V)	( $\mu$ A)	(°C)	
SRF2060 ●	20	60	200	0.70	500	150	ITO-220AB
SR2060 ●	20	60	200	0.70	500	150	TO-220AB
SR2060PT ●	20	60	200	0.70	500	150	TO-247AD (TO-3P)
SRS2060	20	60	200	0.70	500	150	TO-263AB (D <sup>2</sup> -PAK)
SRS2060H ●	20	60	200	0.70	500	150	TO-263AB (D <sup>2</sup> -PAK)
SRA2060 ●	20	60	300	0.70	500	150	TO-220AC
SRAS2060	20	60	330	0.70	500	150	TO-263AB (D <sup>2</sup> -PAK)
SRAS2060H ●	20	60	330	0.70	500	150	TO-263AB (D <sup>2</sup> -PAK)
MBRAD2060H ●	20	60	330	0.75	100	150	ThinDPAK
MBRF2080CT ●	20	80	150	0.80	100	150	ITO-220AB
MBRF2090CT ●	20	90	150	0.85	100	150	ITO-220AB
MBR2090CT ●	20	90	150	0.85	100	150	TO-220AB
MBR2090CT-Y	20	90	150	0.85	100	150	TO-220AB
MBR2090PT ●	20	90	150	0.85	100	150	TO-247AD (TO-3P)
MBRS2090CT	20	90	150	0.85	100	150	TO-263AB (D <sup>2</sup> -PAK)
MBRS2090CTH ●	20	90	150	0.85	100	150	TO-263AB (D <sup>2</sup> -PAK)
MBRF2090 ●	20	90	150	0.95	100	150	ITO-220AC
SR2090 ●	20	90	200	0.90	100	150	TO-220AB
SRF2090 ●	20	90	200	0.92	100	150	ITO-220AB
SR2090PT ●	20	90	200	0.92	100	150	TO-247AD (TO-3P)
SRS2090	20	90	200	0.92	100	150	TO-263AB (D <sup>2</sup> -PAK)
SRS2090H ●	20	90	200	0.92	100	150	TO-263AB (D <sup>2</sup> -PAK)
SRA2090 ●	20	90	300	0.92	100	150	TO-220AC
SRAS2090	20	90	330	0.92	100	150	TO-263AB (D <sup>2</sup> -PAK)
SRAS2090H ●	20	90	330	0.92	100	150	TO-263AB (D <sup>2</sup> -PAK)
TST20L100CW	20	100	100	0.84	100	150	TO-220AB
TSF20L100C	20	100	100	0.86	100	150	ITO-220AB
TSF20H100C-S	20	100	120	0.79	150	150	ITO-220AB

## SCHOTTKY RECTIFIER

(T<sub>A</sub>=25°C unless otherwise noted)

● =AEC-Q qualified

Part Number	$I_{F(AV)}$	$V_{RRM}$	$I_{FSM}$	$V_F$	$I_R$	$T_j$ Max.	Package Description
	(A)	(V)	(A)	(V)	( $\mu$ A)	(°C)	
TSF20H100C	20	100	120	0.81	200	150	ITO-220AB
MBRF20L100CT ●	20	100	150	0.75	20	150	ITO-220AB
MBR20L100CT ●	20	100	150	0.75	20	150	TO-220AB
TST20H100CW	20	100	150	0.79	200	150	TO-220AB
TSD20H100CW	20	100	150	0.79	200	150	TO-263AB (D <sup>2</sup> -PAK)
TSF20U100C	20	100	150	0.79	500	150	ITO-220AB
TST20U100C	20	100	150	0.79	500	150	TO-220AB
MBRF20H100CT ●	20	100	150	0.85	5	175	ITO-220AB
MBR20H100CT ●	20	100	150	0.85	5	175	TO-220AB
MBRS20H100CT	20	100	150	0.85	5	175	TO-263AB (D <sup>2</sup> -PAK)
MBRS20H100CTH ●	20	100	150	0.85	5	175	TO-263AB (D <sup>2</sup> -PAK)
MBRF20100CT ●	20	100	150	0.85	100	150	ITO-220AB
MBRF20100CT-Y	20	100	150	0.85	100	150	ITO-220AB
MBR20100CT ●	20	100	150	0.85	100	150	TO-220AB
MBR20100CT-Y	20	100	150	0.85	100	150	TO-220AB
MBR20100PT ●	20	100	150	0.85	100	150	TO-247AD (TO-3P)
MBRS20100CT-Y	20	100	150	0.85	100	150	TO-263AB (D <sup>2</sup> -PAK)
MBRS20100CT	20	100	150	0.85	100	150	TO-263AB (D <sup>2</sup> -PAK)
MBRS20100CTH ●	20	100	150	0.85	100	150	TO-263AB (D <sup>2</sup> -PAK)
MBRF20100 ●	20	100	150	0.95	100	150	ITO-220AC
SR20100 ●	20	100	200	0.90	100	150	TO-220AB
SRF20100 ●	20	100	200	0.92	100	150	ITO-220AB
SR20100PT ●	20	100	200	0.92	100	150	TO-247AD (TO-3P)
SRS20100	20	100	200	0.92	100	150	TO-263AB (D <sup>2</sup> -PAK)
SRS20100H ●	20	100	200	0.92	100	150	TO-263AB (D <sup>2</sup> -PAK)
SRA20100 ●	20	100	300	0.92	100	150	TO-220AC
MBRAD20100H ●	20	100	330	0.85	10	150	ThinDPAK
SRAS20100	20	100	330	0.92	100	150	TO-263AB (D <sup>2</sup> -PAK)

Part Number	$I_{F(AV)}$	$V_{RRM}$	$I_{FSM}$	$V_F$	$I_R$	$T_j$ Max.	Package Description
	(A)	(V)	(A)	(V)	( $\mu$ A)	(°C)	
SRAS20100H ●	20	100	330	0.92	100	150	TO-263AB (D <sup>2</sup> -PAK)
TSF20L120C	20	120	100	0.92	100	150	ITO-220AB
TST20L120CW	20	120	100	0.93	100	150	TO-220AB
TSF20H120C-S	20	120	120	0.86	150	150	ITO-220AB
TSF20H120C	20	120	120	0.87	250	150	ITO-220AB
MBRF20L120CT ●	20	120	150	0.83	20	150	ITO-220AB
MBR20L120CT ●	20	120	150	0.83	20	150	TO-220AB
TSD20H120CW	20	120	150	0.87	200	150	TO-263AB (D <sup>2</sup> -PAK)
TST20H120CW	20	120	150	0.89	200	150	TO-220AB
TSF20L150C	20	150	100	0.95	100	150	ITO-220AB
TST20L150CW	20	150	100	0.96	100	150	TO-220AB
TSF20H150C	20	150	120	0.90	100	150	ITO-220AB
TSF20H150C-S	20	150	120	0.92	100	150	ITO-220AB
MBRF20H150CT ●	20	150	150	0.88	5	175	ITO-220AB
MBR20H150CT ●	20	150	150	0.88	5	175	TO-220AB
MBRS20H150CT	20	150	150	0.88	5	175	TO-263AB (D <sup>2</sup> -PAK)
MBRS20H150CTH ●	20	150	150	0.88	5	175	TO-263AB (D <sup>2</sup> -PAK)
TST20H150CW	20	150	150	0.90	100	150	TO-220AB
TSD20H150CW	20	150	150	0.90	100	150	TO-263AB (D <sup>2</sup> -PAK)
MBRF20150CT ●	20	150	150	0.95	100	150	ITO-220AB
MBRF20150CT-Y	20	150	150	0.95	100	150	ITO-220AB
MBR20150PT ●	20	150	150	0.95	100	150	TO-247AD (TO-3P)
MBR20150CT ●	20	150	150	0.99	100	150	TO-220AB
MBR20150CT-Y	20	150	150	0.99	100	150	TO-220AB
MBRS20150CT-Y	20	150	150	0.99	100	150	TO-263AB (D <sup>2</sup> -PAK)
MBRS20150CT	20	150	150	0.99	100	150	TO-263AB (D <sup>2</sup> -PAK)
MBRS20150CTH ●	20	150	150	0.99	100	150	TO-263AB (D <sup>2</sup> -PAK)
SR20150 ●	20	150	200	1.00	100	150	TO-220AB

## SCHOTTKY RECTIFIER

(T<sub>A</sub>=25°C unless otherwise noted)

● =AEC-Q qualified

Part Number	$I_{F(AV)}$	$V_{RRM}$	$I_{FSM}$	$V_F$	$I_R$	$T_j$ Max.	Package Description
	(A)	(V)	(A)	(V)	( $\mu$ A)	(°C)	
SRF20150 ●	20	150	200	1.02	100	150	ITO-220AB
SR20150PT ●	20	150	200	1.02	100	150	TO-247AD (TO-3P)
SRS20150	20	150	200	1.02	100	150	TO-263AB (D <sup>2</sup> -PAK)
SRS20150H ●	20	150	200	1.02	100	150	TO-263AB (D <sup>2</sup> -PAK)
SRA20150 ●	20	150	300	1.02	100	150	TO-220AC
MBRAD20150H ●	20	150	330	0.90	10	150	ThinDPAK
SRAS20150	20	150	330	1.02	100	150	TO-263AB (D <sup>2</sup> -PAK)
SRAS20150H ●	20	150	330	1.02	100	150	TO-263AB (D <sup>2</sup> -PAK)
TSF20L200C	20	200	100	0.98	100	150	ITO-220AB
TST20L200CW	20	200	100	0.99	100	150	TO-220AB
TSF20H200C	20	200	120	0.93	100	150	ITO-220AB
MBRF20H200CT ●	20	200	150	0.88	5	175	ITO-220AB
MBR20H200CT ●	20	200	150	0.88	5	175	TO-220AB
MBRS20H200CT	20	200	150	0.88	5	175	TO-263AB (D <sup>2</sup> -PAK)
MBRS20H200CTH ●	20	200	150	0.88	5	175	TO-263AB (D <sup>2</sup> -PAK)
TST20H200CW	20	200	150	0.93	100	150	TO-220AB
TSD20H200CW	20	200	150	0.93	100	150	TO-263AB (D <sup>2</sup> -PAK)
MBRF20200CT ●	20	200	150	0.95	100	150	ITO-220AB
MBRF20200CT-Y	20	200	150	0.95	100	150	ITO-220AB
MBR20200PT ●	20	200	150	0.95	100	150	TO-247AD (TO-3P)
MBR20200CT ●	20	200	150	0.99	100	150	TO-220AB
MBR20200CT-Y	20	200	150	0.99	100	150	TO-220AB
MBRS20200CT-Y	20	200	150	0.99	100	150	TO-263AB (D <sup>2</sup> -PAK)
MBRAD20200H ●	20	200	300	0.95	10	150	ThinDPAK
MBRS2535CT	25	35	200	0.65	200	150	TO-263AB (D <sup>2</sup> -PAK)
MBRS2535CTH ●	25	35	200	0.65	200	150	TO-263AB (D <sup>2</sup> -PAK)
MBR2535CT ●	25	35	200		200	150	TO-220AB
MBRF2535CT ●	25	35	200		2,000	150	ITO-220AB

Part Number	$I_{F(AV)}$	$V_{RRM}$	$I_{FSM}$	$V_F$	$I_R$	$T_j$ Max.	Package Description
	(A)	(V)	(A)	(V)	( $\mu$ A)	(°C)	
MBRS25H45CT	25	45	150	0.70	200	175	TO-263AB (D <sup>2</sup> -PAK)
MBRS25H45CTH ●	25	45	150	0.70	200	175	TO-263AB (D <sup>2</sup> -PAK)
MBRS2545CT	25	45	200	0.65	200	150	TO-263AB (D <sup>2</sup> -PAK)
MBRS2545CTH ●	25	45	200	0.65	200	150	TO-263AB (D <sup>2</sup> -PAK)
MBR2545CT ●	25	45	200		200	150	TO-220AB
MBR2545CT-Y	25	45	200		200	150	TO-220AB
MBRF2545CT ●	25	45	200		2,000	150	ITO-220AB
MBRF2545CT-Y	25	45	200		2,000	150	ITO-220AB
MBR2550CT ●	25	50	200	0.75	200	150	TO-220AB
MBRS2550CT	25	50	200	0.75	200	150	TO-263AB (D <sup>2</sup> -PAK)
MBRS2550CTH ●	25	50	200	0.75	200	150	TO-263AB (D <sup>2</sup> -PAK)
MBRF2550CT ●	25	50	200	0.75	2,000	150	ITO-220AB
MBR2560CT ●	25	60	200	0.75	200	150	TO-220AB
MBR2560CT-Y	25	60	200	0.75	200	150	TO-220AB
MBRS2560CT	25	60	200	0.75	200	150	TO-263AB (D <sup>2</sup> -PAK)
MBRS2560CTH ●	25	60	200	0.75	200	150	TO-263AB (D <sup>2</sup> -PAK)
MBRF2560CT ●	25	60	200	0.75	2,000	150	ITO-220AB
MBRF2560CT-Y	25	60	200	0.75	2,000	150	ITO-220AB
MBRF2590CT ●	25	90	200	0.85	100	150	ITO-220AB
MBR2590CT ●	25	90	200	0.85	100	150	TO-220AB
MBRS2590CT	25	90	200	0.85	100	150	TO-263AB (D <sup>2</sup> -PAK)
MBRS2590CTH ●	25	90	200	0.85	100	150	TO-263AB (D <sup>2</sup> -PAK)
MBRF25100CT ●	25	100	200	0.85	100	150	ITO-220AB
MBRF25100CT-Y	25	100	200	0.85	100	150	ITO-220AB
MBR25100CT ●	25	100	200	0.85	100	150	TO-220AB
MBR25100CT-Y	25	100	200	0.85	100	150	TO-220AB
MBRS25100CT	25	100	200	0.85	100	150	TO-263AB (D <sup>2</sup> -PAK)
MBRS25100CTH ●	25	100	200	0.85	100	150	TO-263AB (D <sup>2</sup> -PAK)



## SCHOTTKY RECTIFIER

(T<sub>A</sub>=25°C unless otherwise noted)

● =AEC-Q qualified

Part Number	$I_{F(AV)}$	$V_{RRM}$	$I_{FSM}$	$V_F$	$I_R$	$T_j$ Max.	Package Description
	(A)	(V)	(A)	(V)	( $\mu$ A)	(°C)	
MBRF25150CT ●	25	150	200	0.95	100	150	ITO-220AB
MBRF25150CT-Y	25	150	200	0.95	100	150	ITO-220AB
MBR25150CT ●	25	150	200	0.95	100	150	TO-220AB
MBR25150CT-Y	25	150	200	0.95	100	150	TO-220AB
MBRS25150CT	25	150	200	0.95	100	150	TO-263AB (D <sup>2</sup> -PAK)
MBRS25150CTH ●	25	150	200	0.95	100	150	TO-263AB (D <sup>2</sup> -PAK)
SR3020PT ●	30	20	300	0.55	1000	125	TO-247AD (TO-3P)
SR3030PT ●	30	30	300	0.55	1000	125	TO-247AD (TO-3P)
MBRF3035CT ●	30	35	200	0.70	200	150	ITO-220AB
MBR3035CT ●	30	35	200	0.70	200	150	TO-220AB
MBR3035PT ●	30	35	200		1,000	150	TO-247AD (TO-3P)
SR3040PT ●	30	40	300	0.55	1000	125	TO-247AD (TO-3P)
TST30L45C	30	45	120	0.67	650	150	TO-220AB
TSF30L45C	30	45	180	0.55	500	150	ITO-220AB
MBRF3045CT ●	30	45	200	0.70	200	150	ITO-220AB
MBRF3045CT-Y	30	45	200	0.70	200	150	ITO-220AB
MBR3045CT ●	30	45	200	0.70	200	150	TO-220AB
MBR3045CT-Y	30	45	200	0.70	200	150	TO-220AB
MBR3045PT ●	30	45	200		1,000	150	TO-247AD (TO-3P)
MBRF30L45CT ●	30	45	220	0.55	400	150	ITO-220AB
MBR30L45CT ●	30	45	220	0.55	400	150	TO-220AB
MBRS3045CT	30	45	220	0.70	200	150	TO-263AB (D <sup>2</sup> -PAK)
MBRS3045CTH ●	30	45	220	0.70	200	150	TO-263AB (D <sup>2</sup> -PAK)
MBRS30H45CT	30	45	220	0.70	200	175	TO-263AB (D <sup>2</sup> -PAK)
MBRS30H45CTH ●	30	45	220	0.70	200	175	TO-263AB (D <sup>2</sup> -PAK)
TSF30U45C	30	45	250	0.500	500	150	ITO-220AB
TST30U45C	30	45	250	0.54	500	150	TO-220AB
TST30H45C	30	45	250	0.61	94	150	TO-220AB

Part Number	$I_{F(AV)}$	$V_{RRM}$	$I_{FSM}$	$V_F$	$I_R$	$T_j$ Max.	Package Description
	(A)	(V)	(A)	(V)	( $\mu$ A)	(°C)	
TSF30H45C	30	45	250	0.61	112	150	ITO-220AB
MBRF3050CT ●	30	50	200	0.75	200	150	ITO-220AB
MBR3050PT ●	30	50	200	0.75	1,000	150	TO-247AD (TO-3P)
MBR3050CT ●	30	50	200	0.77	200	150	TO-220AB
SR3050PT ●	30	50	300	0.70	1000	150	TO-247AD (TO-3P)
TST30L60CW	30	60	180	0.60	500	150	TO-220AB
TSF30L60C	30	60	180	0.62	500	150	ITO-220AB
MBRF3060CT ●	30	60	200	0.75	200	150	ITO-220AB
MBR3060PT ●	30	60	200	0.75	1,000	150	TO-247AD (TO-3P)
MBR3060CT ●	30	60	200	0.77	200	150	TO-220AB
MBR3060CT-Y	30	60	200	0.77	200	150	TO-220AB
MBRF3060CT-Y	30	60	200	0.78	200	150	ITO-220AB
MBR30L60CT ●	30	60	220	0.60	480	150	TO-220AB
TSF30H60C	30	60	230	0.70	50	150	ITO-220AB
TSF30U60C	30	60	250	0.57	500	150	ITO-220AB
TST30U60C	30	60	250	0.57	500	150	TO-220AB
TST30H60C	30	60	250	0.70	55	150	TO-220AB
SR3060PT ●	30	60	300	0.70	1000	150	TO-247AD (TO-3P)
MBRF3080CT ●	30	80	200	0.84	200	150	ITO-220AB
MBR3080CT-Y	30	80	200	0.84	200	150	TO-220AB
MBRF3080CT-Y	30	80	200	0.85	200	150	ITO-220AB
MBRF3090CT ●	30	90	200	0.84	200	150	ITO-220AB
MBR3090CT ●	30	90	200	0.84	200	150	TO-220AB
MBR3090PT ●	30	90	200	0.85	500	150	TO-247AD (TO-3P)
SR3090PT ●	30	90	300	0.90	500	150	TO-247AD (TO-3P)
TSF30H100C	30	100	150	0.82	150	150	ITO-220AB
MBR30H100CT ●	30	100	150	0.85	10	175	TO-220AB
TSF30U100C	30	100	160	0.74	500	150	ITO-220AB

## SCHOTTKY RECTIFIER

(T<sub>A</sub>=25°C unless otherwise noted)

● =AEC-Q qualified

Part Number	$I_{F(AV)}$	$V_{RRM}$	$I_{FSM}$	$V_F$	$I_R$	$T_j$ Max.	Package Description
	(A)	(V)	(A)	(V)	( $\mu$ A)	(°C)	
TSF30L100C	30	100	160	0.80	250	150	ITO-220AB
TST30H100CW	30	100	200	0.78	250	150	TO-220AB
TSD30H100CW	30	100	200	0.78	250	150	TO-263AB (D <sup>2</sup> -PAK)
TST30L100CW	30	100	200	0.82	200	150	TO-220AB
MBRF30100CT ●	30	100	200	0.84	200	150	ITO-220AB
MBR30100CT ●	30	100	200	0.84	200	150	TO-220AB
MBR30100CT-Y	30	100	200	0.84	200	150	TO-220AB
MBRF30100CT-Y	30	100	200	0.85	200	150	ITO-220AB
MBR30100PT ●	30	100	200	0.85	500	150	TO-247AD (TO-3P)
MBR30L100CT ●	30	100	220	0.77	500	150	TO-220AB
SR30100PT ●	30	100	300	0.90	500	150	TO-247AD (TO-3P)
TSF30H120C	30	120	150	0.88	150	150	ITO-220AB
TSF30L120C	30	120	160	0.88	250	150	ITO-220AB
TSF30U120C	30	120	160	0.88	500	150	ITO-220AB
TSD30H120CW	30	120	200	0.84	250	150	TO-263AB (D <sup>2</sup> -PAK)
MBRF30L120CT ●	30	120	200	0.88	20	150	ITO-220AB
MBR30L120CT ●	30	120	200	0.88	20	150	TO-220AB
TST30L120CW	30	120	200	0.88	200	150	TO-220AB
TST30H120CW	30	120	200	0.88	250	150	TO-220AB
TSF30H150C	30	150	150	0.90	150	150	ITO-220AB
TSF30L150C	30	150	160	0.92	100	150	ITO-220AB
TST30H150CW	30	150	200	0.90	150	150	TO-220AB
TSD30H150CW	30	150	200	0.90	150	150	TO-263AB (D <sup>2</sup> -PAK)
TST30L150CW	30	150	200	0.92	100	150	TO-220AB
MBR30150CT ●	30	150	200	0.95	100	150	TO-220AB
MBR30150CT-Y	30	150	200	0.95	100	150	TO-220AB
MBRF30150CT ●	30	150	200	0.95	200	150	ITO-220AB
MBRF30150CT-Y	30	150	200	0.95	200	150	ITO-220AB

Part Number	$I_{F(AV)}$	$V_{RRM}$	$I_{FSM}$	$V_F$	$I_R$	$T_j$ Max.	Package Description
	(A)	(V)	(A)	(V)	( $\mu$ A)	(°C)	
MBR30150PT ●	30	150	200	0.95	500	150	TO-247AD (TO-3P)
SR30150PT ●	30	150	300	1.00	500	150	TO-247AD (TO-3P)
TSF30H200C	30	200	150	0.92	150	150	ITO-220AB
TSF30L200C	30	200	160	0.96	100	150	ITO-220AB
TST30H200CW	30	200	200	0.92	150	150	TO-220AB
TSD30H200CW	30	200	200	0.92	150	150	TO-263AB (D <sup>2</sup> -PAK)
MBRF30200CT ●	30	200	200	0.95	200	150	ITO-220AB
MBRF30200CT-Y	30	200	200	0.95	200	150	ITO-220AB
TST30L200CW	30	200	200	0.96	100	150	TO-220AB
MBR30200PT ●	30	200	200	1.05	100	150	TO-247AD (TO-3P)
SR4020PT ●	40	20	400	0.55	1000	125	TO-247AD (TO-3P)
SR4030PT ●	40	30	400	0.55	1000	125	TO-247AD (TO-3P)
MBR4035PT ●	40	35	330	0.75	1,000	150	TO-247AD (TO-3P)
SR4040PT ●	40	40	400	0.55	1000	125	TO-247AD (TO-3P)
MBR4045PT ●	40	45	330	0.75	1,000	150	TO-247AD (TO-3P)
MBR4050PT ●	40	50	330	0.77	1,000	150	TO-247AD (TO-3P)
SR4050PT ●	40	50	400	0.70	1000	150	TO-247AD (TO-3P)
MBRS4060CT	40	60	300	0.80	100	175	TO-263AB (D <sup>2</sup> -PAK)
MBRS4060CTH ●	40	60	300	0.80	100	175	TO-263AB (D <sup>2</sup> -PAK)
MBR4060PT ●	40	60	330	0.77	1,000	150	TO-247AD (TO-3P)
SR4060PT ●	40	60	400	0.70	1000	150	TO-247AD (TO-3P)
MBR4090PT ●	40	90	330	0.84	500	150	TO-247AD (TO-3P)
SR4090PT ●	40	90	400	0.90	500	150	TO-247AD (TO-3P)
TSF40L100C	40	100	200	0.80	250	150	ITO-220AB
TST40L100CW	40	100	220	0.83	200	150	TO-220AB
TSF40U100C	40	100	250	0.70	500	150	ITO-220AB
TSF40H100C	40	100	250	0.72	500	150	ITO-220AB
MBR40100PT ●	40	100	330	0.84	500	150	TO-247AD (TO-3P)

# SCHOTTKY RECTIFIER

( $T_A=25^\circ\text{C}$  unless otherwise noted)

● =AEC-Q qualified

Part Number	$I_{F(AV)}$	$V_{RRM}$	$I_{FSM}$	$V_F$	$I_R$	$T_j$ Max.	Package Description
	(A)	(V)	(A)	(V)	( $\mu\text{A}$ )	( $^\circ\text{C}$ )	
SR40100PT ●	40	100	400	0.90	500	150	TO-247AD (TO-3P)
TSF40L120C	40	120	200	0.85	250	150	ITO-220AB
TST40L120CW	40	120	220	0.88	200	150	TO-220AB
TSF40H120C	40	120	250	0.84	500	150	ITO-220AB
TSF40L150C	40	150	200	0.96	100	150	ITO-220AB
TST40L150CW	40	150	220	0.96	100	150	TO-220AB
TSF40H150C	40	150	250	0.89	150	150	ITO-220AB
MBR40150PT ●	40	150	330	0.90	100	150	TO-247AD (TO-3P)
TSF40L200C	40	200	200	0.98	100	150	ITO-220AB
TST40L200CW	40	200	220	0.98	100	150	TO-220AB
TSF40H200C	40	200	250	0.93	150	150	ITO-220AB
MBR40200PT ●	40	200	330	0.90	100	150	TO-247AD (TO-3P)
MBR6035PT ●	60	35	420	0.70	1,000	150	TO-247AD (TO-3P)
MBRS6040CT	60	40	250	0.75	100	150	TO-263AB (D <sup>2</sup> -PAK)
MBRS6040CTH ●	60	40	250	0.75	100	150	TO-263AB (D <sup>2</sup> -PAK)
MBR6040CT ●	60	40	250	0.97	100	150	TO-220AB
MBR6045PT ●	60	45	420	0.70	1,000	150	TO-247AD (TO-3P)
MBR6050PT ●	60	50	420	0.75	1,000	150	TO-247AD (TO-3P)
MBR6060PT ●	60	60	420	0.75	1,000	150	TO-247AD (TO-3P)
MBR6090PT ●	60	90	420	0.84	1,000	150	TO-247AD (TO-3P)
MBR60100PT ●	60	100	420	0.84	1,000	150	TO-247AD (TO-3P)

## STANDARD BRIDGE

(T<sub>A</sub>=25°C unless otherwise noted)

● =AEC-Q qualified

Part Number	$I_{F(AV)}$	$V_{RRM}$	$I_{FSM}$	$V_F$	$I_R$	$T_j$ Max.	Package Description
	(A)	(V)	(A)	(V)	( $\mu$ A)	(°C)	
MBS2 ●	0.8	200	35	1	5	150	MBS
MBS4 ●	0.8	400	35	1	5	150	MBS
MBS6 ●	0.8	600	35	1	5	150	MBS
MBS6-K	0.8	600	35	1	5	150	MBS
MBS8 ●	0.8	800	35	1	5	150	MBS
MBS8-K	0.8	800	35	1	5	150	MBS
MBS10 ●	0.8	1000	35	1	5	150	MBS
MBS10-K	0.8	1000	35	1	5	150	MBS
DBL101G ●	1	50	40	1.1	2	150	DBL
DBLS101G ●	1	50	40	1.1	2	150	DBLS
DBL102G ●	1	100	40	1.1	2	150	DBL
DBLS102G ●	1	100	40	1.1	2	150	DBLS
ABS2 ●	1	200	30	0.95	10	150	ABS
DBL103G ●	1	200	40	1.1	2	150	DBL
DBLS103G ●	1	200	40	1.1	2	150	DBLS
ABS4 ●	1	400	30	0.95	10	150	ABS
ABS4-K	1	400	30	0.95	10	150	ABS
DBL104G ●	1	400	40	1.1	2	150	DBL
DBLS104G ●	1	400	40	1.1	2	150	DBLS
DBL104G-T	1	400	40	1.1	2	150	DBL
DBLS104G-T	1	400	40	1.1	2	150	DBLS
ABS6 ●	1	600	30	0.95	10	150	ABS
ABS6-K	1	600	30	0.95	10	150	ABS
ABS6-T	1	600	30	0.95	10	150	ABS
DBL105G ●	1	600	40	1.1	2	150	DBL
DBLS105G ●	1	600	40	1.1	2	150	DBLS
DBL105G-T	1	600	40	1.1	2	150	DBL
DBLS105G-T	1	600	40	1.1	2	150	DBLS

Part Number	$I_{F(AV)}$	$V_{RRM}$	$I_{FSM}$	$V_F$	$I_R$	$T_j$ Max.	Package Description
	(A)	(V)	(A)	(V)	( $\mu$ A)	(°C)	
ABS8 ●	1	800	30	0.95	10	150	ABS
ABS8-K	1	800	30	0.95	10	150	ABS
ABS8-T	1	800	30	0.95	10	150	ABS
DBL106G ●	1	800	30	1.1	2	150	DBL
DBLS106G ●	1	800	30	1.1	2	150	DBLS
DBL106G-T	1	800	30	1.1	2	150	DBL
DBLS106G-T	1	800	30	1.1	2	150	DBLS
ABS10 ●	1	1000	30	0.95	10	150	ABS
ABS10-K	1	1000	30	0.95	10	150	ABS
ABS10-T	1	1000	30	0.95	10	150	ABS
DBL107G ●	1	1000	30	1.1	2	150	DBL
DBLS107G ●	1	1000	30	1.1	2	150	DBLS
DBL107G-T	1	1000	30	1.1	2	150	DBL
DBLS107G-T	1	1000	30	1.1	2	150	DBLS
DBL151G ●	1.5	50	50	1.1	2	150	DBL
DBLS151G ●	1.5	50	50	1.1	2	150	DBLS
DBL152G ●	1.5	100	50	1.1	2	150	DBL
DBLS152G ●	1.5	100	50	1.1	2	150	DBLS
DBL153G ●	1.5	200	50	1.1	2	150	DBL
DBLS153G ●	1.5	200	50	1.1	2	150	DBLS
DBL154G ●	1.5	400	50	1.1	2	150	DBL
DBLS154G ●	1.5	400	50	1.1	2	150	DBLS
DBLS154G-T	1.5	400	50	1.1	2	150	DBLS
DBL154G-T	1.5	400	50	1.1	2	150	DBL
ABS15J ●	1.5	600	40	1.00	5	150	ABS
DBL155G ●	1.5	600	50	1.1	2	150	DBL
DBLS155G ●	1.5	600	50	1.1	2	150	DBLS
DBLS155G-T	1.5	600	50	1.1	2	150	DBLS

## STANDARD BRIDGE

(T<sub>A</sub>=25°C unless otherwise noted)

● =AEC-Q qualified

Part Number	$I_{F(AV)}$	$V_{RRM}$	$I_{FSM}$	$V_F$	$I_R$	$T_j$ Max.	Package Description
	(A)	(V)	(A)	(V)	( $\mu$ A)	(°C)	
DBL155G-T	1.5	600	50	1.1	2	150	DBL
ABS15LJ	1.5	600	60	0.95	5	150	ABS
DBL156G ●	1.5	800	50	1.1	2	150	DBL
DBLS156G ●	1.5	800	50	1.1	2	150	DBLS
DBLS156G-T	1.5	800	50	1.1	2	150	DBLS
DBL156G-T	1.5	800	50	1.1	2	150	DBL
ABS15M ●	1.5	1000	40	1.00	5	150	ABS
DBL157G ●	1.5	1000	50	1.1	2	150	DBL
DBLS157G ●	1.5	1000	50	1.1	2	150	DBLS
DBLS157G-T	1.5	1000	50	1.1	2	150	DBLS
DBL157G-T	1.5	1000	50	1.1	2	150	DBL
DBL158G ●	1.5	1200	50	1.25	2	150	DBL
DBLS158G ●	1.5	1200	50	1.25	2	150	DBLS
DBL159G ●	1.5	1400	50	1.25	2	150	DBL
DBLS159G ●	1.5	1400	50	1.25	2	150	DBLS
DBL201G ●	2	50	50	1.15	2	150	DBL
DBLS201G ●	2	50	50	1.15	2	150	DBLS
GBL201 ●	2	50	60	1	5	150	GBL
D2SB05 ●	2	50	80	1.1	10	150	GBL
DBL202G ●	2	100	50	1.15	2	150	DBL
DBLS202G ●	2	100	50	1.15	2	150	DBLS
GBL202 ●	2	100	60	1	5	150	GBL
D2SB10 ●	2	100	80	1.1	10	150	GBL
DBL203G ●	2	200	50	1.15	2	150	DBL
DBLS203G ●	2	200	50	1.15	2	150	DBLS
GBL203 ●	2	200	60	1	5	150	GBL
D2SB20 ●	2	200	80	1.1	10	150	GBL
DBL204G ●	2	400	50	1.15	2	150	DBL

Part Number	$I_{F(AV)}$	$V_{RRM}$	$I_{FSM}$	$V_F$	$I_R$	$T_j$ Max.	Package Description
	(A)	(V)	(A)	(V)	( $\mu$ A)	(°C)	
DBLS204G ●	2	400	50	1.15	2	150	DBLS
DBLS204G-T	2	400	50	1.15	2	150	DBLS
DBL204G-T	2	400	50	1.15	2	150	DBL
GBL204 ●	2	400	60	1	5	150	GBL
KBPF204G	2	400	60	1.1	5	150	KBPF
D2SB40 ●	2	400	80	1.1	10	150	GBL
DBL205G ●	2	600	50	1.15	2	150	DBL
DBLS205G ●	2	600	50	1.15	2	150	DBLS
DBLS205G-T	2	600	50	1.15	2	150	DBLS
DBL205G-T	2	600	50	1.15	2	150	DBL
GBL205 ●	2	600	60	1	5	150	GBL
KBPF205G	2	600	60	1.1	5	150	KBPF
UR2KB60	2	600	62	1.05	10	150	D3K
D2SB60 ●	2	600	80	1.1	10	150	GBL
DBL206G ●	2	800	50	1.15	2	150	DBL
DBLS206G ●	2	800	50	1.15	2	150	DBLS
DBLS206G-T	2	800	50	1.15	2	150	DBLS
DBL206G-T	2	800	50	1.15	2	150	DBL
GBL206 ●	2	800	60	1	5	150	GBL
KBPF206G	2	800	60	1.1	5	150	KBPF
UR2KB80	2	800	62	1.05	10	150	D3K
D2SB80 ●	2	800	80	1.1	10	150	GBL
ABS20M ●	2	1000	50	1.10	5	150	ABS
ABS20M-T	2	1000	50	1.10	5	150	ABS
DBL207G ●	2	1000	50	1.15	2	150	DBL
DBLS207G ●	2	1000	50	1.15	2	150	DBLS
DBLS207G-T	2	1000	50	1.15	2	150	DBLS
DBL207G-T	2	1000	50	1.15	2	150	DBL

## STANDARD BRIDGE

(T<sub>A</sub>=25°C unless otherwise noted)

● =AEC-Q qualified

Part Number	$I_{F(AV)}$	$V_{RRM}$	$I_{FSM}$	$V_F$	$I_R$	$T_j$ Max.	Package Description
	(A)	(V)	(A)	(V)	( $\mu$ A)	(°C)	
GBL207 ●	2	1000	60	1	5	150	GBL
KBPF207G	2	1000	60	1.1	5	150	KBPF
UR2KB100	2	1000	62	1.05	10	150	D3K
DBL208G ●	2	1200	50	1.3	2	150	DBL
DBLS208G ●	2	1200	50	1.3	2	150	DBLS
DBL209G ●	2	1400	50	1.3	2	150	DBL
DBLS209G ●	2	1400	50	1.3	2	150	DBLS
YBS2204G	2.2	400	90	0.97	5	150	YBS
YBS2205G	2.2	600	90	0.97	5	150	YBS
YBS2206G	2.2	800	90	0.97	5	150	YBS
YBS2207G	2.2	1000	90	0.97	5	150	YBS
KBPF304G	3	400	80	1.1	5	150	KBPF
YBS3004G	3	400	110	1.1	5	150	YBS
KBPF305G	3	600	80	1.1	5	150	KBPF
UR3KB60	3	600	90	1	10	150	D3K
YBS3005G	3	600	110	1.1	5	150	YBS
KBPF306G	3	800	80	1.1	5	150	KBPF
UR3KB80	3	800	90	1	10	150	D3K
YBS3006G	3	800	110	1.1	5	150	YBS
KBPF307G	3	1000	80	1.1	5	150	KBPF
UR3KB100	3	1000	90	1	10	150	D3K
YBS3007G	3	1000	110	1.1	5	150	YBS
GBLA005 ●	4	50	120	1	5	150	GBL
GBL005 ●	4	50	150	1.1	5	150	GBL
GBU401 ●	4	50	150	1.1	5	150	GBU
KBU401G	4	50	150	1.1	5	150	KBU
KBL401G	4	50	150	1.1	10	150	KBL
GBLA01 ●	4	100	120	1	5	150	GBL

Part Number	$I_{F(AV)}$	$V_{RRM}$	$I_{FSM}$	$V_F$	$I_R$	$T_j$ Max.	Package Description
	(A)	(V)	(A)	(V)	( $\mu$ A)	(°C)	
GBL01 ●	4	100	150	1.1	5	150	GBL
GBU402 ●	4	100	150	1.1	5	150	GBU
KBU402G	4	100	150	1.1	5	150	KBU
KBL402G	4	100	150	1.1	10	150	KBL
GBLA02 ●	4	200	120	1	5	150	GBL
GBL02 ●	4	200	150	1.1	5	150	GBL
GBU403 ●	4	200	150	1.1	5	150	GBU
KBU403G	4	200	150	1.1	5	150	KBU
KBL403G	4	200	150	1.1	10	150	KBL
GBLA04 ●	4	400	120	1	5	150	GBL
TS4K40-A	4	400	120	1	10	150	TS4K
KBPF404G	4	400	120	1.1	5	150	KBPF
TS4K40 ●	4	400	120	1.1	10	150	TS4K
GBL04 ●	4	400	150	1.1	5	150	GBL
GBU404 ●	4	400	150	1.1	5	150	GBU
GBU404-K	4	400	150	1.1	5	150	GBU
KBU404G	4	400	150	1.1	5	150	KBU
KBL404G	4	400	150	1.1	10	150	KBL
TBS406	4	600	110	1	2	150	TBS
GBLA06 ●	4	600	120	1	5	150	GBL
TS4K60-A	4	600	120	1	10	150	TS4K
KBPF405G	4	600	120	1.1	5	150	KBPF
TS4K60 ●	4	600	120	1.1	10	150	TS4K
UR4KB60-B	4	600	135	1	10	150	D3K
GBL06 ●	4	600	150	1.1	5	150	GBL
GBU405 ●	4	600	150	1.1	5	150	GBU
GBU405-K	4	600	150	1.1	5	150	GBU
KBU405G	4	600	150	1.1	5	150	KBU

## STANDARD BRIDGE

(T<sub>A</sub>=25°C unless otherwise noted) • =AEC-Q qualified

Part Number	$I_{F(AV)}$	$V_{RRM}$	$I_{FSM}$	$V_F$	$I_R$	$T_j$ Max.	Package Description
	(A)	(V)	(A)	(V)	( $\mu$ A)	(°C)	
KBL405G	4	600	150	1.1	10	150	KBL
TBS408	4	800	110	1	2	150	TBS
GBLA08 •	4	800	120	1	5	150	GBL
TS4K80-A	4	800	120	1	10	150	TS4K
KBPF406G	4	800	120	1.1	5	150	KBPF
TS4K80 •	4	800	120	1.1	10	150	TS4K
UR4KB80-B	4	800	135	1	10	150	D3K
GBL08 •	4	800	150	1.1	5	150	GBL
GBU406 •	4	800	150	1.1	5	150	GBU
GBU406-K	4	800	150	1.1	5	150	GBU
KBU406G	4	800	150	1.1	5	150	KBU
KBL406G	4	800	150	1.1	10	150	KBL
TBS410	4	1000	110	1	2	150	TBS
GBLA10 •	4	1000	120	1	5	150	GBL
KBPF407G	4	1000	120	1.1	5	150	KBPF
TS4K100 •	4	1000	120	1.1	10	150	TS4K
UR4KB100-B	4	1000	135	1	10	150	D3K
GBL10 •	4	1000	150	1.1	5	150	GBL
GBU407 •	4	1000	150	1.1	5	150	GBU
GBU407-K	4	1000	150	1.1	5	150	GBU
KBU407G	4	1000	150	1.1	5	150	KBU
KBL407G	4	1000	150	1.1	10	150	KBL
TS6P01G •	6	50	150	1.1	10	150	TS-6P
TS6P01G-K	6	50	150	1.1	10	150	TS-6P
GBU601 •	6	50	175	1.1	5	150	GBU
KBU601G	6	50	175	1.1	5	150	KBU
KBL601G	6	50	175	1.1	10	150	KBL
TS6P02G •	6	100	150	1.1	10	150	TS-6P

Part Number	$I_{F(AV)}$	$V_{RRM}$	$I_{FSM}$	$V_F$	$I_R$	$T_j$ Max.	Package Description
	(A)	(V)	(A)	(V)	( $\mu$ A)	(°C)	
TS6P02G-K	6	100	150	1.1	10	150	TS-6P
GBU602 •	6	100	175	1.1	5	150	GBU
KBU602G	6	100	175	1.1	5	150	KBU
KBL602G	6	100	175	1.1	10	150	KBL
TS6P03G •	6	200	150	1.1	10	150	TS-6P
TS6P03G-K	6	200	150	1.1	10	150	TS-6P
GBU603 •	6	200	175	1.1	5	150	GBU
KBU603G	6	200	175	1.1	5	150	KBU
KBL603G	6	200	175	1.1	10	150	KBL
TS6K40-T	6	400	150	1	10	150	TS4K
TS6K40 •	6	400	150	1.1	5	150	TS4K
TS6P04G •	6	400	150	1.1	10	150	TS-6P
TS6P04G-K	6	400	150	1.1	10	150	TS-6P
GBU604 •	6	400	175	1.1	5	150	GBU
GBU604-K	6	400	175	1.1	5	150	GBU
KBU604G	6	400	175	1.1	5	150	KBU
KBL604G	6	400	175	1.1	10	150	KBL
TBS606	6	600	150	1	2	150	TBS
TS6K60-T	6	600	150	1	10	150	TS4K
TS6KL60 •	6	600	150	1.05	5	150	KBJL
TS6K60 •	6	600	150	1.1	5	150	TS4K
TS6P05G •	6	600	150	1.1	10	150	TS-6P
TS6P05G-K	6	600	150	1.1	10	150	TS-6P
GBU605 •	6	600	175	1.1	5	150	GBU
GBU605-K	6	600	175	1.1	5	150	GBU
KBU605G	6	600	175	1.1	5	150	KBU
KBL605G	6	600	175	1.1	10	150	KBL
TBS608	6	800	150	1	2	150	TBS

## STANDARD BRIDGE

(T<sub>A</sub>=25°C unless otherwise noted)

● =AEC-Q qualified

Part Number	$I_{F(AV)}$	$V_{RRM}$	$I_{FSM}$	$V_F$	$I_R$	$T_j$ Max.	Package Description
	(A)	(V)	(A)	(V)	( $\mu$ A)	(°C)	
TS6K80-T	6	800	150	1	10	150	TS4K
TS6KL80 ●	6	800	150	1.05	5	150	KBJL
TS6K80 ●	6	800	150	1.1	5	150	TS4K
TS6P06G ●	6	800	150	1.1	10	150	TS-6P
TS6P06G-K	6	800	150	1.1	10	150	TS-6P
GBU606 ●	6	800	175	1.1	5	150	GBU
GBU606-K	6	800	175	1.1	5	150	GBU
KBU606G	6	800	175	1.1	5	150	KBU
KBL606G	6	800	175	1.1	10	150	KBL
TBS610	6	1000	150	1	2	150	TBS
TS6KL100 ●	6	1000	150	1.05	5	150	KBJL
TS6K100 ●	6	1000	150	1.1	5	150	TS4K
TS6P07G ●	6	1000	150	1.1	10	150	TS-6P
TS6P07G-K	6	1000	150	1.1	10	150	TS-6P
GBU607 ●	6	1000	175	1.1	5	150	GBU
GBU607-K	6	1000	175	1.1	5	150	GBU
KBU607G	6	1000	175	1.1	5	150	KBU
KBL607G	6	1000	175	1.1	10	150	KBL
GBU801 ●	8	50	200	1.1	5	150	GBU
KBU801G	8	50	200	1.1	5	150	KBU
TS8P01G ●	8	50	200	1.1	10	150	TS-6P
GBU802 ●	8	100	200	1.1	5	150	GBU
KBU802G	8	100	200	1.1	5	150	KBU
TS8P02G ●	8	100	200	1.1	10	150	TS-6P
GBU803 ●	8	200	200	1.1	5	150	GBU
KBU803G	8	200	200	1.1	5	150	KBU
TS8P03G ●	8	200	200	1.1	10	150	TS-6P
GBU804 ●	8	400	200	1.1	5	150	GBU

Part Number	$I_{F(AV)}$	$V_{RRM}$	$I_{FSM}$	$V_F$	$I_R$	$T_j$ Max.	Package Description
	(A)	(V)	(A)	(V)	( $\mu$ A)	(°C)	
GBU804-K	8	400	200	1.1	5	150	GBU
KBU804G	8	400	200	1.1	5	150	KBU
TS8P04G ●	8	400	200	1.1	10	150	TS-6P
UR8KB60	8	600	170	1.2	10	150	D3K
TBS806	8	600	200	1.05	5	150	TBS
GBU805 ●	8	600	200	1.1	5	150	GBU
GBU805-K	8	600	200	1.1	5	150	GBU
KBU805G	8	600	200	1.1	5	150	KBU
TS8P05G ●	8	600	200	1.1	10	150	TS-6P
UR8KB80	8	800	170	1.2	10	150	D3K
TBS808	8	800	200	1.05	5	150	TBS
GBU806 ●	8	800	200	1.1	5	150	GBU
GBU806-K	8	800	200	1.1	5	150	GBU
KBU806G	8	800	200	1.1	5	150	KBU
TS8P06G ●	8	800	200	1.1	10	150	TS-6P
UR8KB100	8	1000	170	1.2	10	150	D3K
TBS810	8	1000	200	1.05	5	150	TBS
GBU807 ●	8	1000	200	1.1	5	150	GBU
GBU807-K	8	1000	200	1.1	5	150	GBU
KBU807G	8	1000	200	1.1	5	150	KBU
TS8P07G ●	8	1000	200	1.1	10	150	TS-6P
KBU1001G	10	50	200	1.1	5	150	KBU
TS10P01G ●	10	50	200	1.1	10	150	TS-6P
TS10P01G-K	10	50	200	1.1	10	150	TS-6P
GBU1001 ●	10	50	220	1.1	5	150	GBU
KBU1002G	10	100	200	1.1	5	150	KBU
TS10P02G ●	10	100	200	1.1	10	150	TS-6P
TS10P02G-K	10	100	200	1.1	10	150	TS-6P



## STANDARD BRIDGE

(T<sub>A</sub>=25°C unless otherwise noted) • =AEC-Q qualified

Part Number	$I_{F(AV)}$	$V_{RRM}$	$I_{FSM}$	$V_F$	$I_R$	$T_j$ Max.	Package Description
	(A)	(V)	(A)	(V)	( $\mu$ A)	(°C)	
GBU1002 •	10	100	220	1.1	5	150	GBU
KBU1003G	10	200	200	1.1	5	150	KBU
TS10P03G •	10	200	200	1.1	10	150	TS-6P
TS10P03G-K	10	200	200	1.1	10	150	TS-6P
GBU1003 •	10	200	220	1.1	5	150	GBU
TS10K40-A	10	400	150	1	10	150	TS4K
TS10K40 •	10	400	150	1.1	10	150	TS4K
KBU1004G	10	400	200	1.1	5	150	KBU
TS10P04G •	10	400	200	1.1	10	150	TS-6P
TS10P04G-K	10	400	200	1.1	10	150	TS-6P
GBU1004 •	10	400	220	1.1	5	150	GBU
T10JA05G-K	10	600	144	1.1	5	150	TS-6PL
TS10K60-A	10	600	150	1	10	150	TS4K
TS10K60 •	10	600	150	1.1	10	150	TS4K
TS10KL60 •	10	600	180	1	5	150	KBJL
KBU1005G	10	600	200	1.1	5	150	KBU
GBU1005-K	10	600	200	1.1	5	150	GBU
TS10P05G •	10	600	200	1.1	10	150	TS-6P
TS10P05G-K	10	600	200	1.1	10	150	TS-6P
GBU1005 •	10	600	220	1.1	5	150	GBU
T10JA06G-K	10	800	144	1.1	5	150	TS-6PL
TS10K80-A	10	800	150	1	10	150	TS4K
TS10K80 •	10	800	150	1.1	10	150	TS4K
TS10KL80 •	10	800	180	1	5	150	KBJL
KBU1006G	10	800	200	1.1	5	150	KBU
GBU1006-K	10	800	200	1.1	5	150	GBU
TS10P06G •	10	800	200	1.1	10	150	TS-6P
TS10P06G-K	10	800	200	1.1	10	150	TS-6P

Part Number	$I_{F(AV)}$	$V_{RRM}$	$I_{FSM}$	$V_F$	$I_R$	$T_j$ Max.	Package Description
	(A)	(V)	(A)	(V)	( $\mu$ A)	(°C)	
GBU1006 •	10	800	220	1.1	5	150	GBU
T10JA07G-K	10	1000	144	1.1	5	150	TS-6PL
TS10K100 •	10	1000	150	1.1	10	150	TS4K
TS10KL100 •	10	1000	180	1	5	150	KBJL
KBU1007G	10	1000	200	1.1	5	150	KBU
GBU1007-K	10	1000	200	1.1	5	150	GBU
TS10P07G •	10	1000	200	1.1	10	150	TS-6P
TS10P07G-K	10	1000	200	1.1	10	150	TS-6P
GBU1007 •	10	1000	220	1.1	5	150	GBU
TS15P01G •	15	50	240	1.1	10	150	TS-6P
GBPC15005	15	50	300	1.1	5	150	GBPC
GBPC15005M	15	50	300	1.1	5	150	GBPC-M
GBPC15005W	15	50	300	1.1	5	150	GBPC-W
TS15P02G •	15	100	240	1.1	10	150	TS-6P
GBPC1501	15	100	300	1.1	5	150	GBPC
GBPC1501M	15	100	300	1.1	5	150	GBPC-M
GBPC1501W	15	100	300	1.1	5	150	GBPC-W
TS15P03G •	15	200	240	1.1	10	150	TS-6P
GBPC1502	15	200	300	1.1	5	150	GBPC
GBPC1502M	15	200	300	1.1	5	150	GBPC-M
GBPC1502W	15	200	300	1.1	5	150	GBPC-W
TS15P04G •	15	400	240	1.1	10	150	TS-6P
GBPC1504	15	400	300	1.1	5	150	GBPC
GBPC1504M	15	400	300	1.1	5	150	GBPC-M
GBPC1504W	15	400	300	1.1	5	150	GBPC-W
GBU15L05 •	15	600	200	0.90	5	150	GBU
TS15PL05G •	15	600	200	0.90	5	150	TS-6P
T15JA05G-K	15	600	208	1.1	5	150	TS-6PL

## STANDARD BRIDGE

(T<sub>A</sub>=25°C unless otherwise noted)

● =AEC-Q qualified

Part Number	$I_{F(AV)}$	$V_{RRM}$	$I_{FSM}$	$V_F$	$I_R$	$T_j$ Max.	Package Description
	(A)	(V)	(A)	(V)	( $\mu$ A)	(°C)	
GBU1505	15	600	220	1.1	5	150	GBU
TS15P05G-K	15	600	240	1.0	10	150	TS-6P
TS15P05G ●	15	600	240	1.1	10	150	TS-6P
GBPC1506	15	600	300	1.1	5	150	GBPC
GBPC1506M	15	600	300	1.1	5	150	GBPC-M
GBPC1506W	15	600	300	1.1	5	150	GBPC-W
TS15PL06G ●	15	800	200	0.93	5	150	TS-6P
GBU15L06 ●	15	800	200	0.96	5	150	GBU
T15JA06G-K	15	800	208	1.1	5	150	TS-6PL
GBU1506	15	800	220	1.1	5	150	GBU
TS15P06G-K	15	800	240	1.0	10	150	TS-6P
TS15P06G ●	15	800	240	1.1	10	150	TS-6P
GBPC1508	15	800	300	1.1	5	150	GBPC
GBPC1508M	15	800	300	1.1	5	150	GBPC-M
GBPC1508W	15	800	300	1.1	5	150	GBPC-W
T15JA07G-K	15	1000	208	1.1	5	150	TS-6PL
GBU1507	15	1000	220	1.1	5	150	GBU
TS15P07G-K	15	1000	240	1.0	10	150	TS-6P
TS15P07G ●	15	1000	240	1.1	10	150	TS-6P
GBPC1510	15	1000	300	1.1	5	150	GBPC
GBPC1510M	15	1000	300	1.1	5	150	GBPC-M
GBPC1510W	15	1000	300	1.1	5	150	GBPC-W
TS20P01G ●	20	50	250	1.1	10	150	TS-6P
TS20P02G ●	20	100	250	1.1	10	150	TS-6P
TS20P03G ●	20	200	250	1.1	10	150	TS-6P
TS20K40-T	20	400	220	1.05	5	150	TS4K
TS20P04G ●	20	400	250	1.1	10	150	TS-6P
TS20K60-T	20	600	220	1.05	5	150	TS4K

Part Number	$I_{F(AV)}$	$V_{RRM}$	$I_{FSM}$	$V_F$	$I_R$	$T_j$ Max.	Package Description
	(A)	(V)	(A)	(V)	( $\mu$ A)	(°C)	
TS20P05G ●	20	600	250	1.1	10	150	TS-6P
TS20K80-T	20	800	220	1.05	5	150	TS4K
TS20P06G ●	20	800	250	1.1	10	150	TS-6P
TS20K100-T	20	1000	220	1.05	5	150	TS4K
TS20P07G ●	20	1000	250	1.1	10	150	TS-6P
GBPC25005	25	50	300	1.1	5	150	GBPC
GBPC25005M	25	50	300	1.1	5	150	GBPC-M
GBPC25005W	25	50	300	1.1	5	150	GBPC-W
TS25P01G ●	25	50	350	1.1	10	150	TS-6P
GBPC2501	25	100	300	1.1	5	150	GBPC
GBPC2501M	25	100	300	1.1	5	150	GBPC-M
GBPC2501W	25	100	300	1.1	5	150	GBPC-W
TS25P02G ●	25	100	350	1.1	10	150	TS-6P
GBPC2502	25	200	300	1.1	5	150	GBPC
GBPC2502M	25	200	300	1.1	5	150	GBPC-M
GBPC2502W	25	200	300	1.1	5	150	GBPC-W
TS25P03G ●	25	200	350	1.1	10	150	TS-6P
GBPC2504	25	400	300	1.1	5	150	GBPC
GBPC2504M	25	400	300	1.1	5	150	GBPC-M
GBPC2504W	25	400	300	1.1	5	150	GBPC-W
GBU2504	25	400	300	1.2	10	150	GBU
TS25P04G ●	25	400	350	1.1	10	150	TS-6P
TS25PL05G ●	25	600	300	0.92	10	150	TS-6P
GBPC2506	25	600	300	1.1	5	150	GBPC
GBPC2506M	25	600	300	1.1	5	150	GBPC-M
GBPC2506W	25	600	300	1.1	5	150	GBPC-W
GBU2505	25	600	300	1.2	10	150	GBU
T25JA05G-K	25	600	312	1.15	5	150	TS-6PL
TS25P05G ●	25	600	350	1.1	10	150	TS-6P

## STANDARD BRIDGE

(T<sub>A</sub>=25°C unless otherwise noted)

● =AEC-Q qualified

Part Number	$I_{F(AV)}$	$V_{RRM}$	$I_{FSM}$	$V_F$	$I_R$	$T_j$ Max.	Package Description
	(A)	(V)	(A)	(V)	( $\mu$ A)	(°C)	
TS25P05G-K	25	600	350	1.1	10	150	TS-6P
TS25PL06G ●	25	800	300	0.95	10	150	TS-6P
GBPC2508	25	800	300	1.1	5	150	GBPC
GBPC2508M	25	800	300	1.1	5	150	GBPC-M
GBPC2508W	25	800	300	1.1	5	150	GBPC-W
GBU2506	25	800	300	1.2	10	150	GBU
T25JA06G-K	25	800	312	1.15	5	150	TS-6PL
TS25P06G ●	25	800	350	1.1	10	150	TS-6P
TS25P06G-K	25	800	350	1.1	10	150	TS-6P
GBPC2510	25	1000	300	1.1	5	150	GBPC
GBPC2510M	25	1000	300	1.1	5	150	GBPC-M
GBPC2510W	25	1000	300	1.1	5	150	GBPC-W
GBU2507	25	1000	300	1.2	10	150	GBU
T25JA07G-K	25	1000	312	1.15	5	150	TS-6PL
TS25P07G ●	25	1000	350	1.1	10	150	TS-6P
TS25P07G-K	25	1000	350	1.1	10	150	TS-6P
GBPC35005	35	50	400	1.1	5	150	GBPC
GBPC35005M	35	50	400	1.1	5	150	GBPC-M
GBPC35005W	35	50	400	1.1	5	150	GBPC-W
GBPC3501	35	100	400	1.1	5	150	GBPC
GBPC3501M	35	100	400	1.1	5	150	GBPC-M
GBPC3501W	35	100	400	1.1	5	150	GBPC-W
GBPC3502	35	200	400	1.1	5	150	GBPC
GBPC3502M	35	200	400	1.1	5	150	GBPC-M
GBPC3502W	35	200	400	1.1	5	150	GBPC-W
GBPC3504	35	400	400	1.1	5	150	GBPC
GBPC3504M	35	400	400	1.1	5	150	GBPC-M
GBPC3504W	35	400	400	1.1	5	150	GBPC-W

Part Number	$I_{F(AV)}$	$V_{RRM}$	$I_{FSM}$	$V_F$	$I_R$	$T_j$ Max.	Package Description
	(A)	(V)	(A)	(V)	( $\mu$ A)	(°C)	
TS35P05G ●	35	600	350	1.1	10	150	TS-6P
GBPC3506	35	600	400	1.1	5	150	GBPC
GBPC3506M	35	600	400	1.1	5	150	GBPC-M
GBPC3506W	35	600	400	1.1	5	150	GBPC-W
TS35P06G ●	35	800	350	1.1	10	150	TS-6P
GBPC3508	35	800	400	1.1	5	150	GBPC
GBPC3508M	35	800	400	1.1	5	150	GBPC-M
GBPC3508W	35	800	400	1.1	5	150	GBPC-W
TS35P07G ●	35	1000	350	1.1	10	150	TS-6P
GBPC3510	35	1000	400	1.1	5	150	GBPC
GBPC3510M	35	1000	400	1.1	5	150	GBPC-M
GBPC3510W	35	1000	400	1.1	5	150	GBPC-W
GBPC40005	40	50	400	1.1	10	150	GBPC40
GBPC40005M	40	50	400	1.1	10	150	GBPC40-M
GBPC4001	40	100	400	1.1	10	150	GBPC40
GBPC4001M	40	100	400	1.1	10	150	GBPC40-M
GBPC4002	40	200	400	1.1	10	150	GBPC40
GBPC4002M	40	200	400	1.1	10	150	GBPC40-M
GBPC4004	40	400	400	1.1	10	150	GBPC40
GBPC4004M	40	400	400	1.1	10	150	GBPC40-M
GBPC4006	40	600	400	1.1	10	150	GBPC40
GBPC4006M	40	600	400	1.1	10	150	GBPC40-M
TS40P05G ●	40	600	400	1.1	10	150	TS-6P
GBPC4008	40	800	400	1.1	10	150	GBPC40
GBPC4008M	40	800	400	1.1	10	150	GBPC40-M
TS40P06G ●	40	800	400	1.1	10	150	TS-6P
GBPC4010	40	1000	400	1.1	10	150	GBPC40
GBPC4010M	40	1000	400	1.1	10	150	GBPC40-M

## STANDARD BRIDGE

(T<sub>A</sub>=25°C unless otherwise noted) • =AEC-Q qualified

Part Number	$I_{F(AV)}$	$V_{RRM}$	$I_{FSM}$	$V_F$	$I_R$	$T_j$ Max.	Package Description
	(A)	(V)	(A)	(V)	( $\mu$ A)	(°C)	
TS40P07G •	40	1000	400	1.1	10	150	TS-6P
GBPC50005	50	50	400	1.1	10	150	GBPC40
GBPC50005M	50	50	400	1.1	10	150	GBPC40-M
GBPC5001	50	100	400	1.1	10	150	GBPC40
GBPC5001M	50	100	400	1.1	10	150	GBPC40-M
GBPC5002	50	200	400	1.1	10	150	GBPC40
GBPC5002M	50	200	400	1.1	10	150	GBPC40-M
GBPC5004	50	400	400	1.1	10	150	GBPC40
GBPC5004M	50	400	400	1.1	10	150	GBPC40-M
GBPC5006	50	600	400	1.1	10	150	GBPC40
GBPC5006M	50	600	400	1.1	10	150	GBPC40-M
TS50P05G •	50	600	400	1.1	10	150	TS-6P
GBPC5008	50	800	400	1.1	10	150	GBPC40
GBPC5008M	50	800	400	1.1	10	150	GBPC40-M
TS50P06G •	50	800	400	1.1	10	150	TS-6P
GBPC5010	50	1000	400	1.1	10	150	GBPC40
GBPC5010M	50	1000	400	1.1	10	150	GBPC40-M
TS50P07G •	50	1000	400	1.1	10	150	TS-6P

FAST RECOVERY ( $t_{rr}$  100-500ns)(T<sub>A</sub>=25°C unless otherwise noted) • =AEC-Q qualified

Part Number	$t_{rr}$	$I_{F(AV)}$	$V_{RRM}$	$I_{FSM}$	$V_F$	$I_R$	$T_j$ Max.	Package Description
	(ns)	(A)	(V)	(A)	(V)	( $\mu$ A)	(°C)	
RMB2S •	150	0.8	200	30	1	5	150	MBS
RMB4S •	150	0.8	400	30	1	5	150	MBS
RMB6S •	150	0.8	600	30	1	5	150	MBS
RDBLS207G •	300	2	1000	50	1.15	2	150	DBLS
RABS20M	300	2	1000	50	1.3	5	150	ABS
RYBS30M	300	3	1000	90	1.3	5	150	YBS
RTBS40M	300	4	1000	110	1.3	5	150	TBS
RABS15M •	500	1.5	1000	50	1.30	1	150	ABS-L
RTBS60M	500	6	1000	140		5	150	TBS

## HIGH EFFICIENT ( $t_{rr}$ 50-99ns)

( $T_A=25^\circ\text{C}$  unless otherwise noted) • =AEC-Q qualified

Part Number	$t_{rr}$	$I_{F(AV)}$	$V_{RRM}$	$I_{FSM}$	$V_F$	$I_R$	$T_j$ Max.	Package Description
	(ns)	(A)	(V)	(A)	(V)	( $\mu\text{A}$ )	( $^\circ\text{C}$ )	
HDBL101G •	50	1	50	50	1	5	150	DBL
HDBLS101G •	50	1	50	50	1	5	150	DBLS
HDBL102G •	50	1	100	50	1	5	150	DBL
HDBLS102G •	50	1	100	50	1	5	150	DBLS
HDBL103G •	50	1	200	50	1	5	150	DBL
HDBLS103G •	50	1	200	50	1	5	150	DBLS
HDBL104G •	50	1	400	50	1.3	5	150	DBL
HDBLS104G •	50	1	400	50	1.3	5	150	DBLS
HDBL105G •	75	1	600	50	1.7	5	150	DBL
HDBLS105G •	75	1	600	50	1.7	5	150	DBLS
HDBL106G •	75	1	800	50	1.7	5	150	DBL
HDBLS106G •	75	1	800	50	1.7	5	150	DBLS
HDBL107G •	75	1	1000	50	1.7	5	150	DBL
HDBLS107G •	75	1	1000	50	1.7	5	150	DBLS

## SUPER FAST RECOVERY ( $t_{rr}$ 30-49ns)

( $T_A=25^\circ\text{C}$  unless otherwise noted) • =AEC-Q qualified

Part Number	$t_{rr}$	$I_{F(AV)}$	$V_{RRM}$	$I_{FSM}$	$V_F$	$I_R$	$T_j$ Max.	Package Description
	(ns)	(A)	(V)	(A)	(V)	( $\mu\text{A}$ )	( $^\circ\text{C}$ )	
EABS1D •	35	1	200	40	0.95	1	150	ABS
EABS1G •	35	1	400	40	1.2	1	150	ABS
EABS1J •	35	1	600	40	1.7	1	150	ABS

## SCHOTTKY BRIDGE

( $T_A=25^\circ\text{C}$  unless otherwise noted) • =AEC-Q qualified

Part Number	$I_{F(AV)}$	$V_{RRM}$	$I_{FSM}$	$V_F$	$I_R$	$T_j$ Max.	Package Description
	(A)	(V)	(A)	(V)	( $\mu\text{A}$ )	( $^\circ\text{C}$ )	
SBS24 •	2	40	50	0.5	100	150	ABS
SBS25 •	2	50	50	0.5	100	150	ABS
SBS26 •	2	60	50	0.7	50	150	ABS
SBS34 •	3	40	80	0.5	500	125	ABS
SBS36 •	3	60	80	0.7	500	150	ABS

## STANDARD RECTIFIER

(T<sub>A</sub>=25°C unless otherwise noted)

● =AEC-Q qualified

Part Number	$I_{F(AV)}$	$V_{RRM}$	$I_{FSM}$	$V_F$	$I_R$	$T_j$ Max.	Package Description
	(A)	(V)	(A)	(V)	( $\mu$ A)	(°C)	
SDLW	0.8	200	20	1.1	1	150	SOD-123W
SDLWH ●	0.8	200	20	1.1	1	150	SOD-123W
SGLW	0.8	400	20	1.1	1	150	SOD-123W
SGLWH ●	0.8	400	20	1.1	1	150	SOD-123W
SJLW	0.8	600	20	1.1	1	150	SOD-123W
SJLWH ●	0.8	600	20	1.1	1	150	SOD-123W
SKLW	0.8	800	20	1.1	1	150	SOD-123W
SKLWH ●	0.8	800	20	1.1	1	150	SOD-123W
SMLW	0.8	1000	20	1.1	1	150	SOD-123W
SMLWH ●	0.8	1000	20	1.1	1	150	SOD-123W
1N4001G ●	1	50	30	1	5	150	DO-204AL (DO-41)
1N4001G-K	1	50	30	1	5	150	DO-204AL (DO-41)
S1AB	1	50	30	1.1	5	150	DO-214AA (SMB)
S1ABH ●	1	50	30	1.1	5	150	DO-214AA (SMB)
1T1G ●	1	50	30	1.1	5	150	TS-1
1T1G-K	1	50	30	1.1	5	150	TS-1
S1A	1	50	40	1.1	1	175	DO-214AC (SMA)
S1AH ●	1	50	40	1.1	1	175	DO-214AC (SMA)
1N4002G ●	1	100	30	1	5	150	DO-204AL (DO-41)
1N4002G-K	1	100	30	1	5	150	DO-204AL (DO-41)
S1BB	1	100	30	1.1	5	150	DO-214AA (SMB)
S1BBH ●	1	100	30	1.1	5	150	DO-214AA (SMB)
1T2G ●	1	100	30	1.1	5	150	TS-1
1T2G-K	1	100	30	1.1	5	150	TS-1
S1B	1	100	40	1.1	1	175	DO-214AC (SMA)
S1BH ●	1	100	40	1.1	1	175	DO-214AC (SMA)
1N4003G ●	1	200	30	1	5	150	DO-204AL (DO-41)
1N4003G-K	1	200	30	1	5	150	DO-204AL (DO-41)

Part Number	$I_{F(AV)}$	$V_{RRM}$	$I_{FSM}$	$V_F$	$I_R$	$T_j$ Max.	Package Description
	(A)	(V)	(A)	(V)	( $\mu$ A)	(°C)	
1T3G ●	1	200	30	1	5	150	TS-1
1T3G-K	1	200	30	1	5	150	TS-1
S1D-K	1	200	30	1.1	1	150	DO-214AC (SMA)
S1DFS	1	200	30	1.1	1	150	SOD-128
S1DFSH ●	1	200	30	1.1	1	150	SOD-128
S1DAL	1	200	30	1.1	1	150	Thin SMA
S1DALH ●	1	200	30	1.1	1	150	Thin SMA
S1DLW	1	200	30	1.1	1	175	SOD-123W
S1DLWH ●	1	200	30	1.1	1	175	SOD-123W
S1DB	1	200	30	1.1	5	150	DO-214AA (SMB)
S1DBH ●	1	200	30	1.1	5	150	DO-214AA (SMB)
S1DF-T	1	200	30	1.1	5	150	SMAF
S1D-T	1	200	40	1.1	1	150	DO-214AC (SMA)
S1D	1	200	40	1.1	1	175	DO-214AC (SMA)
S1DH ●	1	200	40	1.1	1	175	DO-214AC (SMA)
S1GM	1	400	20	1.1	1	175	Micro SMA
S1GMH ●	1	400	20	1.1	1	175	Micro SMA
1N4004G ●	1	400	30	1	5	150	DO-204AL (DO-41)
1N4004G-K	1	400	30	1	5	150	DO-204AL (DO-41)
1T4G ●	1	400	30	1	5	150	TS-1
1T4G-K	1	400	30	1	5	150	TS-1
S1G-K	1	400	30	1.1	1	150	DO-214AC (SMA)
S1GFL	1	400	30	1.1	1	150	SOD-123FL
S1GFS	1	400	30	1.1	1	150	SOD-128
S1GFSH ●	1	400	30	1.1	1	150	SOD-128
S1GAL	1	400	30	1.1	1	150	Thin SMA
S1GALH ●	1	400	30	1.1	1	150	Thin SMA
S1GLW	1	400	30	1.1	1	175	SOD-123W

## STANDARD RECTIFIER

(T<sub>A</sub>=25°C unless otherwise noted)

● =AEC-Q qualified

Part Number	$I_{F(AV)}$	$V_{RRM}$	$I_{FSM}$	$V_F$	$I_R$	$T_j$ Max.	Package Description
	(A)	(V)	(A)	(V)	( $\mu$ A)	(°C)	
S1GLWH ●	1	400	30	1.1	1	175	SOD-123W
S1GB	1	400	30	1.1	5	150	DO-214AA (SMB)
S1GBH ●	1	400	30	1.1	5	150	DO-214AA (SMB)
S1GF-T	1	400	30	1.1	5	150	SMAF
TSDGLW	1	400	40	1	1	175	SOD-123W
TSDGLWH ●	1	400	40	1	1	175	SOD-123W
S1G-T	1	400	40	1.1	1	150	DO-214AC (SMA)
S1G	1	400	40	1.1	1	175	DO-214AC (SMA)
S1GH ●	1	400	40	1.1	1	175	DO-214AC (SMA)
TSD1G	1	400	40	1.25	1	175	DO-214AC (SMA)
TSD1GH ●	1	400	40	1.25	1	175	DO-214AC (SMA)
S1JM	1	600	20	1.1	1	175	Micro SMA
S1JMH ●	1	600	20	1.1	1	175	Micro SMA
1N4005SG ●	1	600	30	1	5	150	A-405
1N4005G ●	1	600	30	1	5	150	DO-204AL (DO-41)
1N4005G-K	1	600	30	1	5	150	DO-204AL (DO-41)
1T5G ●	1	600	30	1	5	150	TS-1
1T5G-K	1	600	30	1	5	150	TS-1
S1J-K	1	600	30	1.1	1	150	DO-214AC (SMA)
S1JFL	1	600	30	1.1	1	150	SOD-123FL
S1JFS	1	600	30	1.1	1	150	SOD-128
S1JFSH ●	1	600	30	1.1	1	150	SOD-128
S1JAL	1	600	30	1.1	1	150	Thin SMA
S1JALH ●	1	600	30	1.1	1	150	Thin SMA
S1JLW	1	600	30	1.1	1	175	SOD-123W
S1JLWH ●	1	600	30	1.1	1	175	SOD-123W
S1JB	1	600	30	1.1	5	150	DO-214AA (SMB)
S1JBH ●	1	600	30	1.1	5	150	DO-214AA (SMB)

Part Number	$I_{F(AV)}$	$V_{RRM}$	$I_{FSM}$	$V_F$	$I_R$	$T_j$ Max.	Package Description
	(A)	(V)	(A)	(V)	( $\mu$ A)	(°C)	
S1JF-T	1	600	30	1.1	5	150	SMAF
S1J-T	1	600	40	1.1	1	150	DO-214AC (SMA)
S1J	1	600	40	1.1	1	175	DO-214AC (SMA)
S1JH ●	1	600	40	1.1	1	175	DO-214AC (SMA)
1N4006G ●	1	800	30	1	5	150	DO-204AL (DO-41)
1N4006G-K	1	800	30	1	5	150	DO-204AL (DO-41)
1T6G ●	1	800	30	1	5	150	TS-1
1T6G-K	1	800	30	1	5	150	TS-1
S1K-K	1	800	30	1.1	1	150	DO-214AC (SMA)
S1KFS	1	800	30	1.1	1	150	SOD-128
S1KFSH ●	1	800	30	1.1	1	150	SOD-128
S1KAL	1	800	30	1.1	1	150	Thin SMA
S1KALH ●	1	800	30	1.1	1	150	Thin SMA
S1KLW	1	800	30	1.1	1	175	SOD-123W
S1KLWH ●	1	800	30	1.1	1	175	SOD-123W
S1KB	1	800	30	1.1	5	150	DO-214AA (SMB)
S1KBH ●	1	800	30	1.1	5	150	DO-214AA (SMB)
S1KF-T	1	800	30	1.1	5	150	SMAF
S1K-T	1	800	40	1.1	1	150	DO-214AC (SMA)
S1K	1	800	40	1.1	1	175	DO-214AC (SMA)
S1KH ●	1	800	40	1.1	1	175	DO-214AC (SMA)
1N4007G ●	1	1000	30	1	5	150	DO-204AL (DO-41)
1N4007G-K	1	1000	30	1	5	150	DO-204AL (DO-41)
1T7G ●	1	1000	30	1	5	150	TS-1
1T7G-K	1	1000	30	1	5	150	TS-1
S1M-K	1	1000	30	1.1	1	150	DO-214AC (SMA)
S1M-T	1	1000	30	1.1	1	150	DO-214AC (SMA)
S1MFL	1	1000	30	1.1	1	150	SOD-123FL

## STANDARD RECTIFIER

 $(T_A=25^\circ\text{C}$  unless otherwise noted)

● =AEC-Q qualified

Part Number	$I_{F(AV)}$	$V_{RRM}$	$I_{FSM}$	$V_F$	$I_R$	$T_j$ Max.	Package Description
	(A)	(V)	(A)	(V)	( $\mu\text{A}$ )	( $^\circ\text{C}$ )	
S1MFS	1	1000	30	1.1	1	150	SOD-128
S1MFSH ●	1	1000	30	1.1	1	150	SOD-128
S1MAL	1	1000	30	1.1	1	150	Thin SMA
S1MALH ●	1	1000	30	1.1	1	150	Thin SMA
S1M	1	1000	30	1.1	1	175	DO-214AC (SMA)
S1MH ●	1	1000	30	1.1	1	175	DO-214AC (SMA)
S1MLW	1	1000	30	1.1	1	175	SOD-123W
S1MLWH ●	1	1000	30	1.1	1	175	SOD-123W
S1MB	1	1000	30	1.1	5	150	DO-214AA (SMB)
S1MBH ●	1	1000	30	1.1	5	150	DO-214AA (SMB)
S1MF-T	1	1000	30	1.1	5	150	SMAF
S1Q	1	1200	30	1.1	1	150	DO-214AC (SMA)
S1DLS	1.2	200	50	1.3	5	175	SOD-123HE
S1DLSH ●	1.2	200	50	1.3	5	175	SOD-123HE
S1GLS	1.2	400	50	1.3	5	175	SOD-123HE
S1GLSH ●	1.2	400	50	1.3	5	175	SOD-123HE
S1JLS	1.2	600	50	1.3	5	175	SOD-123HE
S1JLSH ●	1.2	600	50	1.3	5	175	SOD-123HE
S1KLS	1.2	800	50	1.3	5	175	SOD-123HE
S1KLSH ●	1.2	800	50	1.3	5	175	SOD-123HE
S1MLS	1.2	1000	50	1.3	5	175	SOD-123HE
S1MLSH ●	1.2	1000	50	1.3	5	175	SOD-123HE
1N5391G ●	1.5	50	50	1.1	5	150	DO-204AC (DO-15)
1N5391G-T	1.5	50	50	1.1	5	150	DO-204AC (DO-15)
S2AA	1.5	50	50	1.1	5	150	DO-214AC (SMA)
S2AAH ●	1.5	50	50	1.1	5	150	DO-214AC (SMA)
1N5392G ●	1.5	100	50	1.1	5	150	DO-204AC (DO-15)
1N5392G-T	1.5	100	50	1.1	5	150	DO-204AC (DO-15)

Part Number	$I_{F(AV)}$	$V_{RRM}$	$I_{FSM}$	$V_F$	$I_R$	$T_j$ Max.	Package Description
	(A)	(V)	(A)	(V)	( $\mu\text{A}$ )	( $^\circ\text{C}$ )	
S2BA	1.5	100	50	1.1	5	150	DO-214AC (SMA)
S2BAH ●	1.5	100	50	1.1	5	150	DO-214AC (SMA)
1N5393G ●	1.5	200	50	1	5	150	DO-204AC (DO-15)
1N5393G-T	1.5	200	50	1	5	150	DO-204AC (DO-15)
S15DLW	1.5	200	50	1.1	1	175	SOD-123W
S15DLWH ●	1.5	200	50	1.1	1	175	SOD-123W
S2DA	1.5	200	50	1.1	5	150	DO-214AC (SMA)
S2DAH ●	1.5	200	50	1.1	5	150	DO-214AC (SMA)
1N5395G ●	1.5	400	50	1	5	150	DO-204AC (DO-15)
1N5395G-T	1.5	400	50	1	5	150	DO-204AC (DO-15)
S15GLW	1.5	400	50	1.1	1	175	SOD-123W
S15GLWH ●	1.5	400	50	1.1	1	175	SOD-123W
S2GA	1.5	400	50	1.1	5	150	DO-214AC (SMA)
S2GAH ●	1.5	400	50	1.1	5	150	DO-214AC (SMA)
1N5397G ●	1.5	600	50	1	5	150	DO-204AC (DO-15)
1N5397G-T	1.5	600	50	1	5	150	DO-204AC (DO-15)
S15JLW	1.5	600	50	1.1	1	175	SOD-123W
S15JLWH ●	1.5	600	50	1.1	1	175	SOD-123W
S2JA	1.5	600	50	1.1	5	150	DO-214AC (SMA)
S2JAH ●	1.5	600	50	1.1	5	150	DO-214AC (SMA)
1N5398G ●	1.5	800	50	1	5	150	DO-204AC (DO-15)
1N5398G-T	1.5	800	50	1	5	150	DO-204AC (DO-15)
S15KLW	1.5	800	50	1.1	1	175	SOD-123W
S15KLWH ●	1.5	800	50	1.1	1	175	SOD-123W
S2KA	1.5	800	50	1.1	5	150	DO-214AC (SMA)
S2KAH ●	1.5	800	50	1.1	5	150	DO-214AC (SMA)
1N5399G ●	1.5	1000	50	1	5	150	DO-204AC (DO-15)
1N5399G-T	1.5	1000	50	1	5	150	DO-204AC (DO-15)



## STANDARD RECTIFIER

(T<sub>A</sub>=25°C unless otherwise noted)

● =AEC-Q qualified

Part Number	$I_{F(AV)}$	$V_{RRM}$	$I_{FSM}$	$V_F$	$I_R$	$T_j$ Max.	Package Description
	(A)	(V)	(A)	(V)	( $\mu$ A)	(°C)	
S15MLW	1.5	1000	50	1.1	1	175	SOD-123W
S15MLWH ●	1.5	1000	50	1.1	1	175	SOD-123W
S2MA	1.5	1000	50	1.1	5	150	DO-214AC (SMA)
S2MAH ●	1.5	1000	50	1.1	5	150	DO-214AC (SMA)
S2A	2	50	50	1.15	1	150	DO-214AA (SMB)
S2AH ●	2	50	50	1.15	1	150	DO-214AA (SMB)
2A01G ●	2	50	70	1.1	5	150	DO-204AC (DO-15)
2A01G-T	2	50	70	1.1	5	150	DO-204AC (DO-15)
S2B	2	100	50	1.15	1	150	DO-214AA (SMB)
S2BH ●	2	100	50	1.15	1	150	DO-214AA (SMB)
2A02G ●	2	100	70	1.1	5	150	DO-204AC (DO-15)
2A02G-T	2	100	70	1.1	5	150	DO-204AC (DO-15)
S2DFL	2	200	40	1.1	5	150	SOD-123FL
S2DFS	2	200	50	1.1	1	150	SOD-128
S2DFSH ●	2	200	50	1.1	1	150	SOD-128
S2DAL	2	200	50	1.1	1	150	Thin SMA
S2DALH ●	2	200	50	1.1	1	150	Thin SMA
S2D-T	2	200	50	1.1	5	150	DO-214AA (SMB)
S2DA-T	2	200	50	1.1	5	150	DO-214AC (SMA)
S2DAF-T	2	200	50	1.1	5	150	SMAF
S2D	2	200	50	1.15	1	150	DO-214AA (SMB)
S2DH ●	2	200	50	1.15	1	150	DO-214AA (SMB)
2A03G ●	2	200	70	1	5	150	DO-204AC (DO-15)
2A03G-T	2	200	70	1	5	150	DO-204AC (DO-15)
S2GFL	2	400	40	1.1	5	150	SOD-123FL
TSD2G	2	400	50	1	1	175	DO-214AA (SMB)
TSD2GH ●	2	400	50	1	1	175	DO-214AA (SMB)
S2GFS	2	400	50	1.1	1	150	SOD-128

Part Number	$I_{F(AV)}$	$V_{RRM}$	$I_{FSM}$	$V_F$	$I_R$	$T_j$ Max.	Package Description
	(A)	(V)	(A)	(V)	( $\mu$ A)	(°C)	
S2GFSH ●	2	400	50	1.1	1	150	SOD-128
S2GAL	2	400	50	1.1	1	150	Thin SMA
S2GALH ●	2	400	50	1.1	1	150	Thin SMA
S2G-T	2	400	50	1.1	5	150	DO-214AA (SMB)
S2GA-T	2	400	50	1.1	5	150	DO-214AC (SMA)
S2GAF-T	2	400	50	1.1	5	150	SMAF
S2G	2	400	50	1.15	1	150	DO-214AA (SMB)
S2GH ●	2	400	50	1.15	1	150	DO-214AA (SMB)
2A04G ●	2	400	70	1	5	150	DO-204AC (DO-15)
2A04G-T	2	400	70	1	5	150	DO-204AC (DO-15)
S2JFL	2	600	40	1.1	5	150	SOD-123FL
S2JFS	2	600	50	1.1	1	150	SOD-128
S2JFSH ●	2	600	50	1.1	1	150	SOD-128
S2JAL	2	600	50	1.1	1	150	Thin SMA
S2JALH ●	2	600	50	1.1	1	150	Thin SMA
S2J-T	2	600	50	1.1	5	150	DO-214AA (SMB)
S2JA-T	2	600	50	1.1	5	150	DO-214AC (SMA)
S2JAF-T	2	600	50	1.1	5	150	SMAF
S2J	2	600	50	1.15	1	150	DO-214AA (SMB)
S2JH ●	2	600	50	1.15	1	150	DO-214AA (SMB)
2A05G ●	2	600	70	1	5	150	DO-204AC (DO-15)
2A05G-T	2	600	70	1	5	150	DO-204AC (DO-15)
S2KFL	2	800	40	1.1	5	150	SOD-123FL
S2KFS	2	800	50	1.1	1	150	SOD-128
S2KFSH ●	2	800	50	1.1	1	150	SOD-128
S2KAL	2	800	50	1.1	1	150	Thin SMA
S2KALH ●	2	800	50	1.1	1	150	Thin SMA
S2K-T	2	800	50	1.1	5	150	DO-214AA (SMB)

## STANDARD RECTIFIER

(T<sub>A</sub>=25°C unless otherwise noted)

● =AEC-Q qualified

Part Number	$I_{F(AV)}$	$V_{RRM}$	$I_{FSM}$	$V_F$	$I_R$	$T_j$ Max.	Package Description
	(A)	(V)	(A)	(V)	( $\mu$ A)	(°C)	
S2KA-T	2	800	50	1.1	5	150	DO-214AC (SMA)
S2KAF-T	2	800	50	1.1	5	150	SMAF
S2K	2	800	50	1.15	1	150	DO-214AA (SMB)
S2KH ●	2	800	50	1.15	1	150	DO-214AA (SMB)
2A06G ●	2	800	70	1	5	150	DO-204AC (DO-15)
2A06G-T	2	800	70	1	5	150	DO-204AC (DO-15)
S2MFL	2	1000	40	1.1	5	150	SOD-123FL
S2MFS	2	1000	50	1.1	1	150	SOD-128
S2MFSH ●	2	1000	50	1.1	1	150	SOD-128
S2MAL	2	1000	50	1.1	1	150	Thin SMA
S2MALH ●	2	1000	50	1.1	1	150	Thin SMA
S2M-T	2	1000	50	1.1	5	150	DO-214AA (SMB)
S2MA-T	2	1000	50	1.1	5	150	DO-214AC (SMA)
S2MAF-T	2	1000	50	1.1	5	150	SMAF
S2M	2	1000	50	1.15	1	150	DO-214AA (SMB)
S2MH ●	2	1000	50	1.15	1	150	DO-214AA (SMB)
2A07G ●	2	1000	70	1	5	150	DO-204AC (DO-15)
2A07G-T	2	1000	70	1	5	150	DO-204AC (DO-15)
S2Q	2	1200	50	1.15	1	150	DO-214AA (SMB)
S2QH ●	2	1200	50	1.15	1	150	DO-214AA (SMB)
S2V	2	1400	50	1.15	1	150	DO-214AA (SMB)
S2VH ●	2	1400	50	1.15	1	150	DO-214AA (SMB)
S3AB	3	50	80	1.15	10	150	DO-214AA (SMB)
S3ABH ●	3	50	80	1.15	10	150	DO-214AA (SMB)
S3A	3	50	100	1.15	10	150	DO-214AB (SMC)
S3AH ●	3	50	100	1.15	10	150	DO-214AB (SMC)
S3A-T	3	50	100	1.15	10	150	DO-214AB (SMC)
1N5400G ●	3	50	125	1.1	5	150	DO-201AD

Part Number	$I_{F(AV)}$	$V_{RRM}$	$I_{FSM}$	$V_F$	$I_R$	$T_j$ Max.	Package Description
	(A)	(V)	(A)	(V)	( $\mu$ A)	(°C)	
1N5400G-K	3	50	125	1.1	5	150	DO-201AD
S3BB	3	100	80	1.15	10	150	DO-214AA (SMB)
S3BBH ●	3	100	80	1.15	10	150	DO-214AA (SMB)
S3B	3	100	100	1.15	10	150	DO-214AB (SMC)
S3BH ●	3	100	100	1.15	10	150	DO-214AB (SMC)
S3B-T	3	100	100	1.15	10	150	DO-214AB (SMC)
1N5401G ●	3	100	125	1.1	5	150	DO-201AD
1N5401G-K	3	100	125	1.1	5	150	DO-201AD
S3DB-K	3	200	80	1.15	5	150	DO-214AA (SMB)
S3DB	3	200	80	1.15	10	150	DO-214AA (SMB)
S3DBH ●	3	200	80	1.15	10	150	DO-214AA (SMB)
TUAS3DH ●	3	200	100	1.1	5	150	TO-277A (SMPC4.6U)
S3D	3	200	100	1.15	10	150	DO-214AB (SMC)
S3DH ●	3	200	100	1.15	10	150	DO-214AB (SMC)
S3D-T	3	200	100	1.15	10	150	DO-214AB (SMC)
1N5402G ●	3	200	125	1	5	150	DO-201AD
1N5402G-K	3	200	125	1	5	150	DO-201AD
BY251G	3	200	150	1	5	150	DO-201AD
S3GB-K	3	400	80	1.15	5	150	DO-214AA (SMB)
S3GB	3	400	80	1.15	10	150	DO-214AA (SMB)
S3GBH ●	3	400	80	1.15	10	150	DO-214AA (SMB)
TSD3G	3	400	100	1	1	175	DO-214AB (SMC)
TSD3GH ●	3	400	100	1	1	175	DO-214AB (SMC)
TUAS3GH ●	3	400	100	1.1	5	150	TO-277A (SMPC4.6U)
S3G	3	400	100	1.15	10	150	DO-214AB (SMC)
S3GH ●	3	400	100	1.15	10	150	DO-214AB (SMC)
S3G-T	3	400	100	1.15	10	150	DO-214AB (SMC)
1N5404G ●	3	400	125	1	5	150	DO-201AD

## STANDARD RECTIFIER

(T<sub>A</sub>=25°C unless otherwise noted)

● =AEC-Q qualified

Part Number	$I_{F(AV)}$	$V_{RRM}$	$I_{FSM}$	$V_F$	$I_R$	$T_j$ Max.	Package Description
	(A)	(V)	(A)	(V)	( $\mu$ A)	(°C)	
1N5404G-K	3	400	125	1	5	150	DO-201AD
BY252G	3	400	150	1	5	150	DO-201AD
S3JFS	3	600	50	1.1	1	150	SOD-128
S3JFSH ●	3	600	50	1.1	1	150	SOD-128
S3JAL	3	600	50	1.1	1	150	Thin SMA
S3JALH ●	3	600	50	1.1	1	150	Thin SMA
S3JB-K	3	600	80	1.15	5	150	DO-214AA (SMB)
S3JB	3	600	80	1.15	10	150	DO-214AA (SMB)
S3JBH ●	3	600	80	1.15	10	150	DO-214AA (SMB)
TUAS3JH ●	3	600	100	1.1	5	150	TO-277A (SMPC4.6U)
S3J	3	600	100	1.15	10	150	DO-214AB (SMC)
S3JH ●	3	600	100	1.15	10	150	DO-214AB (SMC)
S3J-T	3	600	100	1.15	10	150	DO-214AB (SMC)
3A60 ●	3	600	120	1.1	5	150	DO-204AC (DO-15)
1N5406G ●	3	600	125	1	5	150	DO-201AD
1N5406G-K	3	600	125	1	5	150	DO-201AD
BY253G	3	600	150	1	5	150	DO-201AD
S3KB-K	3	800	80	1.15	5	150	DO-214AA (SMB)
S3KB	3	800	80	1.15	10	150	DO-214AA (SMB)
S3KBH ●	3	800	80	1.15	10	150	DO-214AA (SMB)
TUAS3KH ●	3	800	100	1.1	5	150	TO-277A (SMPC4.6U)
S3K	3	800	100	1.15	10	150	DO-214AB (SMC)
S3KH ●	3	800	100	1.15	10	150	DO-214AB (SMC)
S3K-T	3	800	100	1.15	10	150	DO-214AB (SMC)
1N5407G ●	3	800	125	1	5	150	DO-201AD
1N5407G-K	3	800	125	1	5	150	DO-201AD
BY254G	3	800	150	1	5	150	DO-201AD
S3MB-K	3	1000	80	1.15	5	150	DO-214AA (SMB)

Part Number	$I_{F(AV)}$	$V_{RRM}$	$I_{FSM}$	$V_F$	$I_R$	$T_j$ Max.	Package Description
	(A)	(V)	(A)	(V)	( $\mu$ A)	(°C)	
S3MB	3	1000	80	1.15	10	150	DO-214AA (SMB)
S3MBH ●	3	1000	80	1.15	10	150	DO-214AA (SMB)
TUAS3MH ●	3	1000	100	1.1	5	150	TO-277A (SMPC4.6U)
S3M	3	1000	100	1.15	10	150	DO-214AB (SMC)
S3MH ●	3	1000	100	1.15	10	150	DO-214AB (SMC)
S3M-T	3	1000	100	1.15	10	150	DO-214AB (SMC)
3A100 ●	3	1000	120	1.1	5	150	DO-204AC (DO-15)
1N5408G ●	3	1000	125	1	5	150	DO-201AD
1N5408G-K	3	1000	125	1	5	150	DO-201AD
S3Q	3	1200	120	1.15	10	150	DO-214AB (SMC)
S4A	4	50	100	1.15	10	150	DO-214AB (SMC)
S4AH ●	4	50	100	1.15	10	150	DO-214AB (SMC)
S4B	4	100	100	1.15	10	150	DO-214AB (SMC)
S4BH ●	4	100	100	1.15	10	150	DO-214AB (SMC)
S4D	4	200	100	1.15	10	150	DO-214AB (SMC)
S4DH ●	4	200	100	1.15	10	150	DO-214AB (SMC)
TUAS4DH ●	4	200	120	1.1	5	150	TO-277A (SMPC4.6U)
S4G	4	400	100	1.15	10	150	DO-214AB (SMC)
S4GH ●	4	400	100	1.15	10	150	DO-214AB (SMC)
TUAS4GH ●	4	400	120	1.1	5	150	TO-277A (SMPC4.6U)
S4J	4	600	100	1.15	10	150	DO-214AB (SMC)
S4JH ●	4	600	100	1.15	10	150	DO-214AB (SMC)
TUAS4JH ●	4	600	120	1.1	5	150	TO-277A (SMPC4.6U)
S4K	4	800	100	1.15	10	150	DO-214AB (SMC)
S4KH ●	4	800	100	1.15	10	150	DO-214AB (SMC)
TUAS4KH ●	4	800	120	1.1	5	150	TO-277A (SMPC4.6U)
S4M	4	1000	100	1.15	10	150	DO-214AB (SMC)
S4MH ●	4	1000	100	1.15	10	150	DO-214AB (SMC)

## STANDARD RECTIFIER

 $(T_A=25^\circ\text{C}$  unless otherwise noted)

● =AEC-Q qualified

Part Number	$I_{F(AV)}$	$V_{RRM}$	$I_{FSM}$	$V_F$	$I_R$	$T_j$ Max.	Package Description
	(A)	(V)	(A)	(V)	( $\mu\text{A}$ )	( $^\circ\text{C}$ )	
TUAS4MH ●	4	1000	120	1.1	5	150	TO-277A (SMPC4.6U)
S5A	5	50	100	1.15	10	150	DO-214AB (SMC)
S5AH ●	5	50	100	1.15	10	150	DO-214AB (SMC)
S5AC-K	5	50	100	1.15	10	150	DO-214AB (SMC)
S5B	5	100	100	1.15	10	150	DO-214AB (SMC)
S5BH ●	5	100	100	1.15	10	150	DO-214AB (SMC)
S5BC-K	5	100	100	1.15	10	150	DO-214AB (SMC)
S5D	5	200	100	1.15	10	150	DO-214AB (SMC)
S5DH ●	5	200	100	1.15	10	150	DO-214AB (SMC)
S5DC-K	5	200	100	1.15	10	150	DO-214AB (SMC)
S5G	5	400	100	1.15	10	150	DO-214AB (SMC)
S5GH ●	5	400	100	1.15	10	150	DO-214AB (SMC)
S5GC-K	5	400	100	1.15	10	150	DO-214AB (SMC)
S5GB	5	400	200	1.1	10	150	DO-214AA (SMB)
S5GBH ●	5	400	200	1.1	10	150	DO-214AA (SMB)
S5J	5	600	100	1.15	10	150	DO-214AB (SMC)
S5JH ●	5	600	100	1.15	10	150	DO-214AB (SMC)
S5JC-K	5	600	100	1.15	10	150	DO-214AB (SMC)
S5JB	5	600	200	1.1	10	150	DO-214AA (SMB)
S5JBH ●	5	600	200	1.1	10	150	DO-214AA (SMB)
S5K	5	800	100	1.15	10	150	DO-214AB (SMC)
S5KH ●	5	800	100	1.15	10	150	DO-214AB (SMC)
S5KC-K	5	800	100	1.15	10	150	DO-214AB (SMC)
S5KB	5	800	200	1.1	10	150	DO-214AA (SMB)
S5KBH ●	5	800	200	1.1	10	150	DO-214AA (SMB)
S5M	5	1000	100	1.15	10	150	DO-214AB (SMC)
S5MH ●	5	1000	100	1.15	10	150	DO-214AB (SMC)
S5MC-K	5	1000	100	1.15	10	150	DO-214AB (SMC)

Part Number	$I_{F(AV)}$	$V_{RRM}$	$I_{FSM}$	$V_F$	$I_R$	$T_j$ Max.	Package Description
	(A)	(V)	(A)	(V)	( $\mu\text{A}$ )	( $^\circ\text{C}$ )	
S5MB	5	1000	200	1.1	10	150	DO-214AA (SMB)
S5MBH ●	5	1000	200	1.1	10	150	DO-214AA (SMB)
S5Q	5	1200	120	1.15	10	150	DO-214AB (SMC)
S5QB	5	1200	170	1.1	10	150	DO-214AA (SMB)
TUAS6DH ●	6	200	140	1.1	5	150	TO-277A (SMPC4.6U)
TUAS6GH ●	6	400	140	1.1	5	150	TO-277A (SMPC4.6U)
TUAS6JH ●	6	600	140	1.1	5	150	TO-277A (SMPC4.6U)
TUAS6KH ●	6	800	140	1.1	5	150	TO-277A (SMPC4.6U)
TUAS6MH ●	6	1000	140	1.1	5	150	TO-277A (SMPC4.6U)
GPA801 ●	8	50	150	1.1	5	150	TO-220AC
GPA802 ●	8	100	150	1.1	5	150	TO-220AC
GPA803 ●	8	200	150	1.1	5	150	TO-220AC
TUAS8D	8	200	230	1.1	5	150	TO-277A (SMPC4.6U)
TUAS8DH ●	8	200	230	1.1	5	150	TO-277A (SMPC4.6U)
GPA804 ●	8	400	150	1.1	5	150	TO-220AC
S8GC	8	400	200	0.985	10	150	DO-214AB (SMC)
S8GCH ●	8	400	200	0.985	10	150	DO-214AB (SMC)
S8GC-T	8	400	200	1.15	10	150	DO-214AB (SMC)
TUAS8G	8	400	230	1.1	5	150	TO-277A (SMPC4.6U)
TUAS8GH ●	8	400	230	1.1	5	150	TO-277A (SMPC4.6U)
GPA805 ●	8	600	150	1.1	5	150	TO-220AC
S8JC	8	600	200	0.985	10	150	DO-214AB (SMC)
S8JCH ●	8	600	200	0.985	10	150	DO-214AB (SMC)
S8JC-T	8	600	200	1.15	10	150	DO-214AB (SMC)
TUAS8J	8	600	230	1.1	5	150	TO-277A (SMPC4.6U)
TUAS8JH ●	8	600	230	1.1	5	150	TO-277A (SMPC4.6U)
GPA806 ●	8	800	150	1.1	5	150	TO-220AC
S8KC	8	800	200	0.985	10	150	DO-214AB (SMC)

## STANDARD RECTIFIER

(T<sub>A</sub>=25°C unless otherwise noted)

● =AEC-Q qualified

Part Number	$I_{F(AV)}$	$V_{RRM}$	$I_{FSM}$	$V_F$	$I_R$	$T_j$ Max.	Package Description
	(A)	(V)	(A)	(V)	( $\mu$ A)	(°C)	
S8KCH ●	8	800	200	0.985	10	150	DO-214AB (SMC)
S8KC-T	8	800	200	1.15	10	150	DO-214AB (SMC)
TUAS8K	8	800	230	1.1	5	150	TO-277A (SMPC4.6U)
TUAS8KH ●	8	800	230	1.1	5	150	TO-277A (SMPC4.6U)
GPA807 ●	8	1000	150	1.1	5	150	TO-220AC
S8MC	8	1000	200	0.985	10	150	DO-214AB (SMC)
S8MCH ●	8	1000	200	0.985	10	150	DO-214AB (SMC)
S8MC-T	8	1000	200	1.15	10	150	DO-214AB (SMC)
TUAS8M	8	1000	230	1.1	5	150	TO-277A (SMPC4.6U)
TUAS8MH ●	8	1000	230	1.1	5	150	TO-277A (SMPC4.6U)
GP1001 ●	10	50	125	1.1	5	150	TO-220AB
GPAS1001	10	50	150	1.1	5	150	TO-263AB (D <sup>2</sup> -PAK)
GP1002 ●	10	100	125	1.1	5	150	TO-220AB
GPAS1002	10	100	150	1.1	5	150	TO-263AB (D <sup>2</sup> -PAK)
GP1003 ●	10	200	125	1.1	5	150	TO-220AB
GPAS1003	10	200	150	1.1	5	150	TO-263AB (D <sup>2</sup> -PAK)
GP1004 ●	10	400	125	1.1	5	150	TO-220AB
GPAS1004	10	400	150	1.1	5	150	TO-263AB (D <sup>2</sup> -PAK)
S10GC	10	400	250	1.1	1	150	DO-214AB (SMC)
S10GCH ●	10	400	250	1.1	1	150	DO-214AB (SMC)
GP1005 ●	10	600	125	1.1	5	150	TO-220AB
GPAS1005	10	600	150	1.1	5	150	TO-263AB (D <sup>2</sup> -PAK)
S10JC	10	600	250	1.1	1	150	DO-214AB (SMC)
S10JCH ●	10	600	250	1.1	1	150	DO-214AB (SMC)
GP1006 ●	10	800	125	1.1	5	150	TO-220AB
GPAS1006	10	800	150	1.1	5	150	TO-263AB (D <sup>2</sup> -PAK)
S10KC	10	800	250	1.1	1	150	DO-214AB (SMC)
S10KCH ●	10	800	250	1.1	1	150	DO-214AB (SMC)

Part Number	$I_{F(AV)}$	$V_{RRM}$	$I_{FSM}$	$V_F$	$I_R$	$T_j$ Max.	Package Description
	(A)	(V)	(A)	(V)	( $\mu$ A)	(°C)	
GP1007 ●	10	1000	125	1.1	5	150	TO-220AB
GPAS1007	10	1000	150	1.1	5	150	TO-263AB (D <sup>2</sup> -PAK)
S10MC	10	1000	250	1.1	1	150	DO-214AB (SMC)
S10MCH ●	10	1000	250	1.1	1	150	DO-214AB (SMC)
S12GC	12	400	300	1.1	1	150	DO-214AB (SMC)
S12GCH ●	12	400	300	1.1	1	150	DO-214AB (SMC)
S12JC	12	600	300	1.1	1	150	DO-214AB (SMC)
S12JCH ●	12	600	300	1.1	1	150	DO-214AB (SMC)
S12KC	12	800	300	1.1	1	150	DO-214AB (SMC)
S12KCH ●	12	800	300	1.1	1	150	DO-214AB (SMC)
S12MC	12	1000	300	1.1	1	150	DO-214AB (SMC)
S12MCH ●	12	1000	300	1.1	1	150	DO-214AB (SMC)
S15GC	15	400	350	1.1	1	150	DO-214AB (SMC)
S15GCH ●	15	400	350	1.1	1	150	DO-214AB (SMC)
S15JC	15	600	350	1.1	1	150	DO-214AB (SMC)
S15JCH ●	15	600	350	1.1	1	150	DO-214AB (SMC)
S15KC	15	800	350	1.1	1	150	DO-214AB (SMC)
S15KCH ●	15	800	350	1.1	1	150	DO-214AB (SMC)
S15MC	15	1000	350	1.1	1	150	DO-214AB (SMC)
S15MCH ●	15	1000	350	1.1	1	150	DO-214AB (SMC)
GP1601 ●	16	50	150	1.1	10	150	TO-220AB
GP1602 ●	16	100	150	1.1	10	150	TO-220AB
GP1603 ●	16	200	150	1.1	10	150	TO-220AB
GP1604 ●	16	400	150	1.1	10	150	TO-220AB
GP1605 ●	16	600	150	1.1	10	150	TO-220AB
GP1606 ●	16	800	150	1.1	10	150	TO-220AB
GP1607 ●	16	1000	150	1.1	10	150	TO-220AB
P2500M ●	25	1000	650	0.87	5	175	P2500

FAST RECOVERY ( $t_{rr}$  100-500ns)(T<sub>A</sub>=25°C unless otherwise noted)

● =AEC-Q qualified

Part Number	$t_{rr}$ (ns)	$I_{F(AV)}$ (A)	$V_{RRM}$ (V)	$I_{FSM}$ (A)	$V_F$ (V)	$I_R$ ( $\mu$ A)	$T_j$ Max. (°C)	Package Description
BYG21M	120	1.5	1,000	50	1.6	1	150	DO-214AC (SMA)
BYG21MH ●	120	1.5	1,000	50	1.6	1	150	DO-214AC (SMA)
TPAR3D	120	3	200	60	1.55	10	175	TO-277A (SMPC)
TPAR3G	120	3	400	60	1.55	10	175	TO-277A (SMPC)
TPAR3J	120	3	600	60	1.55	10	175	TO-277A (SMPC)
RS1AFL	150	1	50	30	1.05	5	150	SOD-123FL
F1T1G ●	150	1	50	30	1.3	5	150	TS-1
FR101G ●	150	1	50	30	1.3	5	150	DO-204AL (DO-41)
FR101G-K	150	1	50	30	1.3	5	150	DO-204AL (DO-41)
F1T1G-K	150	1	50	30	1.3	5	150	TS-1
RS1A	150	1	50	30	1.3	5	175	DO-214AC (SMA)
RS1AH ●	150	1	50	30	1.3	5	175	DO-214AC (SMA)
RS1BFL	150	1	100	30	1.05	5	150	SOD-123FL
F1T2G ●	150	1	100	30	1.3	5	150	TS-1
FR102G ●	150	1	100	30	1.3	5	150	DO-204AL (DO-41)
FR102G-K	150	1	100	30	1.3	5	150	DO-204AL (DO-41)
F1T2G-K	150	1	100	30	1.3	5	150	TS-1
RS1B	150	1	100	30	1.3	5	175	DO-214AC (SMA)
RS1BH ●	150	1	100	30	1.3	5	175	DO-214AC (SMA)
RS1DFL	150	1	200	30	1.05	5	150	SOD-123FL
RS1DAL	150	1	200	30	1.3	1	175	Thin SMA
RS1DALH ●	150	1	200	30	1.3	1	175	Thin SMA
F1T3G ●	150	1	200	30	1.3	5	150	TS-1
FR103G ●	150	1	200	30	1.3	5	150	DO-204AL (DO-41)
RS1D-T	150	1	200	30	1.3	5	150	DO-214AC (SMA)
FR103G-K	150	1	200	30	1.3	5	150	DO-204AL (DO-41)
F1T3G-K	150	1	200	30	1.3	5	150	TS-1
RS1DF-T	150	1	200	30	1.3	5	150	SMAF

Part Number	$t_{rr}$ (ns)	$I_{F(AV)}$ (A)	$V_{RRM}$ (V)	$I_{FSM}$ (A)	$V_F$ (V)	$I_R$ ( $\mu$ A)	$T_j$ Max. (°C)	Package Description
RS1D	150	1	200	30	1.3	5	175	DO-214AC (SMA)
RS1DH ●	150	1	200	30	1.3	5	175	DO-214AC (SMA)
RS1DLW	150	1	200	30	1.3	5	175	SOD-123W
RS1DLWH ●	150	1	200	30	1.3	5	175	SOD-123W
RS1DFS	150	1	200	30	1.3	5	175	SOD-128
RS1DFSH ●	150	1	200	30	1.3	5	175	SOD-128
RS1GFL	150	1	400	30	1.05	5	150	SOD-123FL
BA157G ●	150	1	400	30	1.2	5	150	DO-204AL (DO-41)
RS1GAL	150	1	400	30	1.3	1	175	Thin SMA
RS1GALH ●	150	1	400	30	1.3	1	175	Thin SMA
F1T4G ●	150	1	400	30	1.3	5	150	TS-1
FR104G ●	150	1	400	30	1.3	5	150	DO-204AL (DO-41)
RS1G-T	150	1	400	30	1.3	5	150	DO-214AC (SMA)
FR104G-K	150	1	400	30	1.3	5	150	DO-204AL (DO-41)
F1T4G-K	150	1	400	30	1.3	5	150	TS-1
RS1GF-T	150	1	400	30	1.3	5	150	SMAF
RS1G	150	1	400	30	1.3	5	175	DO-214AC (SMA)
RS1GH ●	150	1	400	30	1.3	5	175	DO-214AC (SMA)
RS1GLW	150	1	400	30	1.3	5	175	SOD-123W
RS1GLWH ●	150	1	400	30	1.3	5	175	SOD-123W
RS1GFS	150	1	400	30	1.3	5	175	SOD-128
RS1GFSH ●	150	1	400	30	1.3	5	175	SOD-128
BA158G ●	150	1	600	30	1.2	5	150	DO-204AL (DO-41)
RS1JLW	150	1	600	30	1.3	5	175	SOD-123W
RS1JLWH ●	150	1	600	30	1.3	5	175	SOD-123W
FR151G ●	150	1.5	50	50	1.3	5	150	DO-204AC (DO-15)
FR151G-T	150	1.5	50	50	1.3	5	150	DO-204AC (DO-15)
RS2AA	150	1.5	50	50	1.3	5	175	DO-214AC (SMA)

FAST RECOVERY ( $t_{rr}$  100-500ns)(T<sub>A</sub>=25°C unless otherwise noted)

● =AEC-Q qualified

Part Number	$t_{rr}$ (ns)	$I_{F(AV)}$ (A)	$V_{RRM}$ (V)	$I_{FSM}$ (A)	$V_F$ (V)	$I_R$ ( $\mu$ A)	T <sub>j</sub> Max. (°C)	Package Description
RS2AAH ●	150	1.5	50	50	1.3	5	175	DO-214AC (SMA)
FR152G ●	150	1.5	100	50	1.3	5	150	DO-204AC (DO-15)
FR152G-T	150	1.5	100	50	1.3	5	150	DO-204AC (DO-15)
RS2BA	150	1.5	100	50	1.3	5	175	DO-214AC (SMA)
RS2BAH ●	150	1.5	100	50	1.3	5	175	DO-214AC (SMA)
FR153G ●	150	1.5	200	50	1.3	5	150	DO-204AC (DO-15)
FR153G-T	150	1.5	200	50	1.3	5	150	DO-204AC (DO-15)
RS2DA	150	1.5	200	50	1.3	5	175	DO-214AC (SMA)
RS2DAH ●	150	1.5	200	50	1.3	5	175	DO-214AC (SMA)
FR154G ●	150	1.5	400	50	1.3	5	150	DO-204AC (DO-15)
FR154G-T	150	1.5	400	50	1.3	5	150	DO-204AC (DO-15)
RS2GA	150	1.5	400	50	1.3	5	175	DO-214AC (SMA)
RS2GAH ●	150	1.5	400	50	1.3	5	175	DO-214AC (SMA)
RS2A	150	2	50	50	1.3	5	175	DO-214AA (SMB)
RS2AH ●	150	2	50	50	1.3	5	175	DO-214AA (SMB)
FR201G ●	150	2	50	55	1.3	5	150	DO-204AC (DO-15)
FR201G-T	150	2	50	55	1.3	5	150	DO-204AC (DO-15)
RS2B	150	2	100	50	1.3	5	175	DO-214AA (SMB)
RS2BH ●	150	2	100	50	1.3	5	175	DO-214AA (SMB)
FR202G ●	150	2	100	55	1.3	5	150	DO-204AC (DO-15)
FR202G-T	150	2	100	55	1.3	5	150	DO-204AC (DO-15)
RS2DFL	150	2	200	40	1.3	5	150	SOD-123FL
RS2DAL	150	2	200	50	1.3	1	175	Thin SMA
RS2DFS	150	2	200	50	1.3	1	175	SOD-128
RS2DALH ●	150	2	200	50	1.3	1	175	Thin SMA
RS2DFSH ●	150	2	200	50	1.3	1	175	SOD-128
RS2DA-T	150	2	200	50	1.3	5	150	DO-214AC (SMA)
RS2D-T	150	2	200	50	1.3	5	150	DO-214AA (SMB)

Part Number	$t_{rr}$ (ns)	$I_{F(AV)}$ (A)	$V_{RRM}$ (V)	$I_{FSM}$ (A)	$V_F$ (V)	$I_R$ ( $\mu$ A)	T <sub>j</sub> Max. (°C)	Package Description
RS2DAF-T	150	2	200	50	1.3	5	150	SMAF
RS2D	150	2	200	50	1.3	5	175	DO-214AA (SMB)
RS2DH ●	150	2	200	50	1.3	5	175	DO-214AA (SMB)
FR203G ●	150	2	200	55	1.3	5	150	DO-204AC (DO-15)
FR203G-T	150	2	200	55	1.3	5	150	DO-204AC (DO-15)
RS2GFL	150	2	400	40	1.3	5	150	SOD-123FL
RS2GAL	150	2	400	50	1.3	1	175	Thin SMA
RS2GFS	150	2	400	50	1.3	1	175	SOD-128
RS2GALH ●	150	2	400	50	1.3	1	175	Thin SMA
RS2GFSH ●	150	2	400	50	1.3	1	175	SOD-128
RS2GA-T	150	2	400	50	1.3	5	150	DO-214AC (SMA)
RS2G-T	150	2	400	50	1.3	5	150	DO-214AA (SMB)
RS2GAF-T	150	2	400	50	1.3	5	150	SMAF
RS2G	150	2	400	50	1.3	5	175	DO-214AA (SMB)
RS2GH ●	150	2	400	50	1.3	5	175	DO-214AA (SMB)
FR204G ●	150	2	400	55	1.3	5	150	DO-204AC (DO-15)
FR204G-T	150	2	400	55	1.3	5	150	DO-204AC (DO-15)
RS3A-K	150	3	50	100	1.3	10	150	DO-214AB (SMC)
RS3A	150	3	50	100	1.3	10	175	DO-214AB (SMC)
RS3AH ●	150	3	50	100	1.3	10	175	DO-214AB (SMC)
FR301G ●	150	3	50	125	1.3	5	150	DO-201AD
FR301G-K	150	3	50	125	1.3	5	150	DO-201AD
RS3B-K	150	3	100	100	1.3	10	150	DO-214AB (SMC)
RS3B	150	3	100	100	1.3	10	175	DO-214AB (SMC)
RS3BH ●	150	3	100	100	1.3	10	175	DO-214AB (SMC)
FR302G ●	150	3	100	125	1.3	5	150	DO-201AD
FR302G-K	150	3	100	125	1.3	5	150	DO-201AD
RS3DB-T	150	3	200	80	1.3	5	150	DO-214AA (SMB)

FAST RECOVERY ( $t_{rr}$  100-500ns)(T<sub>A</sub>=25°C unless otherwise noted)

● =AEC-Q qualified

Part Number	$t_{rr}$	$I_{F(AV)}$	$V_{RRM}$	$I_{FSM}$	$V_F$	$I_R$	$T_j$ Max.	Package Description
	(ns)	(A)	(V)	(A)	(V)	( $\mu$ A)	(°C)	
RS3D-K	150	3	200	100	1.3	10	150	DO-214AB (SMC)
RS3D	150	3	200	100	1.3	10	175	DO-214AB (SMC)
RS3DH ●	150	3	200	100	1.3	10	175	DO-214AB (SMC)
FR303G ●	150	3	200	125	1.3	5	150	DO-201AD
FR303G-K	150	3	200	125	1.3	5	150	DO-201AD
RS3GB-T	150	3	400	80	1.3	5	150	DO-214AA (SMB)
RS3G-K	150	3	400	100	1.3	10	150	DO-214AB (SMC)
RS3G	150	3	400	100	1.3	10	175	DO-214AB (SMC)
RS3GH ●	150	3	400	100	1.3	10	175	DO-214AB (SMC)
FR304G ●	150	3	400	125	1.3	5	150	DO-201AD
FR304G-K	150	3	400	125	1.3	5	150	DO-201AD
TUAR4DH ●	150	4	200	90	1.4	5	150	TO-277A (SMPC4.6U)
TUAR4GH ●	150	4	400	90	1.4	5	150	TO-277A (SMPC4.6U)
RS5D-T	150	5	200	164	1.3	10	150	DO-214AB (SMC)
RS5G-T	150	5	400	164	1.3	10	150	DO-214AB (SMC)
RS3MFS	160	3	1000	80	1.3	5	175	SOD-128
RS3MFSH ●	160	3	1000	80	1.3	5	175	SOD-128
1N4933G ●	200	1	50	30	1.2	5	150	DO-204AL (DO-41)
1N4933G-K	200	1	50	30	1.2	5	150	DO-204AL (DO-41)
1N4934G ●	200	1	100	30	1.2	5	150	DO-204AL (DO-41)
1N4934G-K	200	1	100	30	1.2	5	150	DO-204AL (DO-41)
1N4935G ●	200	1	200	30	1.2	5	150	DO-204AL (DO-41)
1N4935G-K	200	1	200	30	1.2	5	150	DO-204AL (DO-41)
1N4936G ●	200	1	400	30	1.2	5	150	DO-204AL (DO-41)
1N4936G-K	200	1	400	30	1.2	5	150	DO-204AL (DO-41)
1N4937G ●	200	1	600	30	1.2	5	150	DO-204AL (DO-41)
1N4937G-K	200	1	600	30	1.2	5	150	DO-204AL (DO-41)
FRAF8JG ●	200	8	600	250	1.3	5	150	ITO-220AC

Part Number	$t_{rr}$	$I_{F(AV)}$	$V_{RRM}$	$I_{FSM}$	$V_F$	$I_R$	$T_j$ Max.	Package Description
	(ns)	(A)	(V)	(A)	(V)	( $\mu$ A)	(°C)	
FRAF10JG ●	200	10	600	290	1.3	10	150	ITO-220AC
RS1JM	250	1	600	20	1.3	5	150	Micro SMA
RS1JAL	250	1	600	30	1.3	1	175	Thin SMA
RS1JALH ●	250	1	600	30	1.3	1	175	Thin SMA
F1T5G ●	250	1	600	30	1.3	5	150	TS-1
FR105G ●	250	1	600	30	1.3	5	150	DO-204AL (DO-41)
RS1J-T	250	1	600	30	1.3	5	150	DO-214AC (SMA)
FR105G-K	250	1	600	30	1.3	5	150	DO-204AL (DO-41)
F1T5G-K	250	1	600	30	1.3	5	150	TS-1
RS1JFL	250	1	600	30	1.3	5	150	SOD-123FL
RS1JF-T	250	1	600	30	1.3	5	150	SMAF
RS1J	250	1	600	30	1.3	5	175	DO-214AC (SMA)
RS1JH ●	250	1	600	30	1.3	5	175	DO-214AC (SMA)
RS1JFS	250	1	600	30	1.3	5	175	SOD-128
RS1JFSH ●	250	1	600	30	1.3	5	175	SOD-128
RS1KFL	250	1	800	30	1.3	5	150	SOD-123FL
RS1KLW	250	1	800	30	1.3	5	175	SOD-123W
RS1KLWH ●	250	1	800	30	1.3	5	175	SOD-123W
BA159G ●	250	1	1,000	30	1.2	5	150	DO-204AL (DO-41)
RS1MFL	250	1	1000	30	1.3	5	150	SOD-123FL
RS1MLW	250	1	1,000	30	1.3	5	175	SOD-123W
RS1MLWH ●	250	1	1,000	30	1.3	5	175	SOD-123W
FR155G ●	250	1.5	600	50	1.3	5	150	DO-204AC (DO-15)
FR155G-T	250	1.5	600	50	1.3	5	150	DO-204AC (DO-15)
RS2JA	250	1.5	600	50	1.3	5	175	DO-214AC (SMA)
RS2JAH ●	250	1.5	600	50	1.3	5	175	DO-214AC (SMA)
RS2JFL	250	2	600	40	1.3	5	150	SOD-123FL
RS2JAL	250	2	600	50	1.3	1	175	Thin SMA



FAST RECOVERY ( $t_{rr}$  100-500ns)(T<sub>A</sub>=25°C unless otherwise noted)

● =AEC-Q qualified

Part Number	$t_{rr}$ (ns)	$I_{F(AV)}$ (A)	$V_{RRM}$ (V)	$I_{FSM}$ (A)	$V_F$ (V)	$I_R$ ( $\mu$ A)	$T_j$ Max. (°C)	Package Description
RS2JFS	250	2	600	50	1.3	1	175	SOD-128
RS2JALH ●	250	2	600	50	1.3	1	175	Thin SMA
RS2JFSH ●	250	2	600	50	1.3	1	175	SOD-128
RS2JA-T	250	2	600	50	1.3	5	150	DO-214AC (SMA)
RS2J-T	250	2	600	50	1.3	5	150	DO-214AA (SMB)
RS2JAF-T	250	2	600	50	1.3	5	150	SMAF
RS2J	250	2	600	50	1.3	5	175	DO-214AA (SMB)
RS2JH ●	250	2	600	50	1.3	5	175	DO-214AA (SMB)
FR205G ●	250	2	600	55	1.3	5	150	DO-204AC (DO-15)
FR205G-T	250	2	600	55	1.3	5	150	DO-204AC (DO-15)
RS2KFL	250	2	800	40	1.3	5	150	SOD-123FL
RS2KAF-T	250	2	800	50	1.3	5	150	SMAF
RS2MFL	250	2	1000	40	1.3	5	150	SOD-123FL
RS2MAF-T	250	2	1000	50	1.3	5	150	SMAF
RS3JB-T	250	3	600	80	1.3	5	150	DO-214AA (SMB)
RS3J-K	250	3	600	100	1.3	10	150	DO-214AB (SMC)
RS3J	250	3	600	100	1.3	10	175	DO-214AB (SMC)
RS3JH ●	250	3	600	100	1.3	10	175	DO-214AB (SMC)
FR305G ●	250	3	600	125	1.3	5	150	DO-201AD
FR305G-K	250	3	600	125	1.3	5	150	DO-201AD
TUAR4JH ●	250	4	600	90	1.4	5	150	TO-277A (SMPC4.6U)
RS5J-T	250	5	600	164	1.3	10	150	DO-214AB (SMC)
RS1JLS	300	1.2	600	50	1.3	5	175	SOD-123HE
RS1JLSH ●	300	1.2	600	50	1.3	5	175	SOD-123HE
RS1KLS	300	1.2	800	50	1.3	5	175	SOD-123HE
RS1KLSH ●	300	1.2	800	50	1.3	5	175	SOD-123HE
RS1MLS	300	1.2	1,000	50	1.3	5	175	SOD-123HE
RS1MLSH ●	300	1.2	1,000	50	1.3	5	175	SOD-123HE

Part Number	$t_{rr}$ (ns)	$I_{F(AV)}$ (A)	$V_{RRM}$ (V)	$I_{FSM}$ (A)	$V_F$ (V)	$I_R$ ( $\mu$ A)	$T_j$ Max. (°C)	Package Description
BA157G-K	500	1	400	30	1.3	5	150	DO-204AL (DO-41)
BA158G-K	500	1	600	30	1.3	5	150	DO-204AL (DO-41)
RS1KM	500	1	800	20	1.3	5	150	Micro SMA
RS1KAL	500	1	800	30	1.3	1	175	Thin SMA
RS1KALH ●	500	1	800	30	1.3	1	175	Thin SMA
F1T6G ●	500	1	800	30	1.3	5	150	TS-1
FR106G ●	500	1	800	30	1.3	5	150	DO-204AL (DO-41)
RS1K-T	500	1	800	30	1.3	5	150	DO-214AC (SMA)
FR106G-K	500	1	800	30	1.3	5	150	DO-204AL (DO-41)
F1T6G-K	500	1	800	30	1.3	5	150	TS-1
RS1KF-T	500	1	800	30	1.3	5	150	SMAF
RS1K	500	1	800	30	1.3	5	175	DO-214AC (SMA)
RS1KH ●	500	1	800	30	1.3	5	175	DO-214AC (SMA)
RS1KFS	500	1	800	30	1.3	5	175	SOD-128
RS1KFSH ●	500	1	800	30	1.3	5	175	SOD-128
RS1MAL	500	1	1000	30	1.3	1	175	Thin SMA
RS1MALH ●	500	1	1000	30	1.3	1	175	Thin SMA
F1T7G ●	500	1	1,000	30	1.3	5	150	TS-1
FR107G ●	500	1	1,000	30	1.3	5	150	DO-204AL (DO-41)
RS1M-T	500	1	1,000	30	1.3	5	150	DO-214AC (SMA)
FR107G-K	500	1	1000	30	1.3	5	150	DO-204AL (DO-41)
BA159G-K	500	1	1000	30	1.3	5	150	DO-204AL (DO-41)
F1T7G-K	500	1	1000	30	1.3	5	150	TS-1
RS1MF-T	500	1	1000	30	1.3	5	150	SMAF
RS1M	500	1	1,000	30	1.3	5	175	DO-214AC (SMA)
RS1MH ●	500	1	1,000	30	1.3	5	175	DO-214AC (SMA)
RS1MFS	500	1	1000	30	1.3	5	175	SOD-128
RS1MFSH ●	500	1	1000	30	1.3	5	175	SOD-128

FAST RECOVERY ( $t_{rr}$  100-500ns)(T<sub>A</sub>=25°C unless otherwise noted)

● =AEC-Q qualified

Part Number	$t_{rr}$ (ns)	$I_{F(AV)}$ (A)	$V_{RRM}$ (V)	$I_{FSM}$ (A)	$V_F$ (V)	$I_R$ ( $\mu$ A)	T <sub>j</sub> Max. (°C)	Package Description
FR156G ●	500	1.5	800	50	1.3	5	150	DO-204AC (DO-15)
FR156G-T	500	1.5	800	50	1.3	5	150	DO-204AC (DO-15)
RS2KA	500	1.5	800	50	1.3	5	175	DO-214AC (SMA)
RS2KAH ●	500	1.5	800	50	1.3	5	175	DO-214AC (SMA)
FR157G ●	500	1.5	1,000	50	1.3	5	150	DO-204AC (DO-15)
FR157G-T	500	1.5	1000	50	1.3	5	150	DO-204AC (DO-15)
RS2MA	500	1.5	1,000	50	1.3	5	175	DO-214AC (SMA)
RS2MAH ●	500	1.5	1,000	50	1.3	5	175	DO-214AC (SMA)
RS2KAL	500	2	800	50	1.3	1	175	Thin SMA
RS2KFS	500	2	800	50	1.3	1	175	SOD-128
RS2KALH ●	500	2	800	50	1.3	1	175	Thin SMA
RS2KFSH ●	500	2	800	50	1.3	1	175	SOD-128
RS2KA-T	500	2	800	50	1.3	5	150	DO-214AC (SMA)
RS2K-T	500	2	800	50	1.3	5	150	DO-214AA (SMB)
RS2K	500	2	800	50	1.3	5	175	DO-214AA (SMB)
RS2KH ●	500	2	800	50	1.3	5	175	DO-214AA (SMB)
FR206G ●	500	2	800	55	1.3	5	150	DO-204AC (DO-15)
FR206G-T	500	2	800	55	1.3	5	150	DO-204AC (DO-15)
RS2MAL	500	2	1000	50	1.3	1	175	Thin SMA
RS2MFS	500	2	1000	50	1.3	1	175	SOD-128
RS2MALH ●	500	2	1000	50	1.3	1	175	Thin SMA
RS2MFSH ●	500	2	1000	50	1.3	1	175	SOD-128
RS2MA-T	500	2	1000	50	1.3	5	150	DO-214AC (SMA)
RS2M-T	500	2	1000	50	1.3	5	150	DO-214AA (SMB)
RS2M	500	2	1,000	50	1.3	5	175	DO-214AA (SMB)
RS2MH ●	500	2	1,000	50	1.3	5	175	DO-214AA (SMB)
FR207G ●	500	2	1,000	55	1.3	5	150	DO-204AC (DO-15)
FR207G-T	500	2	1000	55	1.3	5	150	DO-204AC (DO-15)

Part Number	$t_{rr}$ (ns)	$I_{F(AV)}$ (A)	$V_{RRM}$ (V)	$I_{FSM}$ (A)	$V_F$ (V)	$I_R$ ( $\mu$ A)	T <sub>j</sub> Max. (°C)	Package Description
RS3KB-T	500	3	800	80	1.3	5	150	DO-214AA (SMB)
RS3K-K	500	3	800	100	1.3	10	150	DO-214AB (SMC)
RS3K	500	3	800	100	1.3	10	175	DO-214AB (SMC)
RS3KH ●	500	3	800	100	1.3	10	175	DO-214AB (SMC)
FR306G ●	500	3	800	125	1.3	5	150	DO-201AD
FR306G-K	500	3	800	125	1.3	5	150	DO-201AD
RS3MB-T	500	3	1000	80	1.3	5	150	DO-214AA (SMB)
RS3M-K	500	3	1000	100	1.3	10	150	DO-214AB (SMC)
RS3M	500	3	1,000	100	1.3	10	175	DO-214AB (SMC)
RS3MH ●	500	3	1,000	100	1.3	10	175	DO-214AB (SMC)
FR307G ●	500	3	1,000	125	1.3	5	150	DO-201AD
FR307G-K	500	3	1000	125	1.3	5	150	DO-201AD
TUAR4KH ●	500	4	800	90	1.4	5	150	TO-277A (SMPC4.6U)
TUAR4MH ●	500	4	1000	90	1.4	5	150	TO-277A (SMPC4.6U)
RS5K-T	500	5	800	164	1.3	10	150	DO-214AB (SMC)
RS5M-T	500	5	1000	164	1.3	10	150	DO-214AB (SMC)

# HIGH EFFICIENT ( $t_{rr}$ 50-99ns)

(T<sub>A</sub>=25°C unless otherwise noted)

● =AEC-Q qualified

Part Number	$t_{rr}$	$I_{F(AV)}$	$V_{RRM}$	$I_{FSM}$	$V_F$	$I_R$	$T_j$ Max.	Package Description
	(ns)	(A)	(V)	(A)	(V)	( $\mu$ A)	(°C)	
HSDLW	50	0.8	200	20	1	1	150	SOD-123W
HSDLWH ●	50	0.8	200	20	1	1	150	SOD-123W
HSGLW	50	0.8	400	20	1.3	1	150	SOD-123W
HSGLWH ●	50	0.8	400	20	1.3	1	150	SOD-123W
HS1AFL	50	1	50	30	0.95	5	150	SOD-123FL
HER101G ●	50	1	50	30	1	5	150	DO-204AL (DO-41)
UF1A ●	50	1	50	30	1	5	150	DO-204AL (DO-41)
UF4001 ●	50	1	50	30	1	5	150	DO-204AL (DO-41)
HER101G-K	50	1	50	30	1	5	150	DO-204AL (DO-41)
HS1A	50	1	50	30	1	5	150	DO-214AC (SMA)
HS1AH ●	50	1	50	30	1	5	150	DO-214AC (SMA)
US1A	50	1	50	30	1	5	150	DO-214AC (SMA)
US1AH ●	50	1	50	30	1	5	150	DO-214AC (SMA)
HT11G ●	50	1	50	30	1	5	150	TS-1
HT11G-K	50	1	50	30	1	5	150	TS-1
HS1BFL	50	1	100	30	0.95	5	150	SOD-123FL
HER102G ●	50	1	100	30	1	5	150	DO-204AL (DO-41)
UF1B ●	50	1	100	30	1	5	150	DO-204AL (DO-41)
UF4002 ●	50	1	100	30	1	5	150	DO-204AL (DO-41)
HER102G-K	50	1	100	30	1	5	150	DO-204AL (DO-41)
HS1B	50	1	100	30	1	5	150	DO-214AC (SMA)
HS1BH ●	50	1	100	30	1	5	150	DO-214AC (SMA)
US1B	50	1	100	30	1	5	150	DO-214AC (SMA)
US1BH ●	50	1	100	30	1	5	150	DO-214AC (SMA)
HT12G ●	50	1	100	30	1	5	150	TS-1
HT12G-K	50	1	100	30	1	5	150	TS-1
HS1DFL	50	1	200	30	0.95	5	150	SOD-123FL
HS1DLW	50	1	200	30	1	1	175	SOD-123W

Part Number	$t_{rr}$	$I_{F(AV)}$	$V_{RRM}$	$I_{FSM}$	$V_F$	$I_R$	$T_j$ Max.	Package Description
	(ns)	(A)	(V)	(A)	(V)	( $\mu$ A)	(°C)	
HS1DLWH ●	50	1	200	30	1	1	175	SOD-123W
HER103G ●	50	1	200	30	1	5	150	DO-204AL (DO-41)
UF1D ●	50	1	200	30	1	5	150	DO-204AL (DO-41)
UF4003 ●	50	1	200	30	1	5	150	DO-204AL (DO-41)
HER103G-K	50	1	200	30	1	5	150	DO-204AL (DO-41)
HS1D	50	1	200	30	1	5	150	DO-214AC (SMA)
HS1DH ●	50	1	200	30	1	5	150	DO-214AC (SMA)
HS1D-K	50	1	200	30	1	5	150	DO-214AC (SMA)
US1D	50	1	200	30	1	5	150	DO-214AC (SMA)
US1DH ●	50	1	200	30	1	5	150	DO-214AC (SMA)
HS1DF-T	50	1	200	30	1	5	150	SMAF
HT13G ●	50	1	200	30	1	5	150	TS-1
HT13G-K	50	1	200	30	1	5	150	TS-1
HS1DFS	50	1	200	35	1	1	150	SOD-128
HS1DFSH ●	50	1	200	35	1	1	150	SOD-128
HS1DAL	50	1	200	35	1	1	150	Thin SMA
HS1DALH ●	50	1	200	35	1	1	150	Thin SMA
HS1FFL	50	1	300	30	0.95	5	150	SOD-123FL
HER104G ●	50	1	300	30	1	5	150	DO-204AL (DO-41)
HER104G-K	50	1	300	30	1	5	150	DO-204AL (DO-41)
HS1F	50	1	300	30	1	5	150	DO-214AC (SMA)
HS1FH ●	50	1	300	30	1	5	150	DO-214AC (SMA)
HT14G ●	50	1	300	30	1	5	150	TS-1
HT14G-K	50	1	300	30	1	5	150	TS-1
UF1G ●	50	1	400	30	1	5	150	DO-204AL (DO-41)
UF4004 ●	50	1	400	30	1	5	150	DO-204AL (DO-41)
US1G	50	1	400	30	1	5	150	DO-214AC (SMA)
US1GH ●	50	1	400	30	1	5	150	DO-214AC (SMA)

HIGH EFFICIENT ( $t_{rr}$  50-99ns) $(T_A=25^\circ\text{C}$  unless otherwise noted)

● =AEC-Q qualified

Part Number	$t_{rr}$ (ns)	$I_{F(AV)}$ (A)	$V_{RRM}$ (V)	$I_{FSM}$ (A)	$V_F$ (V)	$I_R$ ( $\mu\text{A}$ )	$T_j$ Max. ( $^\circ\text{C}$ )	Package Description
HS1GLW	50	1	400	30	1.3	1	175	SOD-123W
HS1GLWH ●	50	1	400	30	1.3	1	175	SOD-123W
HER105G ●	50	1	400	30	1.3	5	150	DO-204AL (DO-41)
HER105G-K	50	1	400	30	1.3	5	150	DO-204AL (DO-41)
HS1G	50	1	400	30	1.3	5	150	DO-214AC (SMA)
HS1GH ●	50	1	400	30	1.3	5	150	DO-214AC (SMA)
HS1G-K	50	1	400	30	1.3	5	150	DO-214AC (SMA)
HS1GFL	50	1	400	30	1.3	5	150	SOD-123FL
HT15G ●	50	1	400	30	1.3	5	150	TS-1
HT15G-K	50	1	400	30	1.3	5	150	TS-1
HS1GF-T	50	1	400	30	1.4	5	150	SMAF
MUR140S	50	1	400	35	1.25	5	175	DO-214AA (SMB)
MUR140SH ●	50	1	400	35	1.25	5	175	DO-214AA (SMB)
HS1GFS	50	1	400	35	1.3	1	150	SOD-128
HS1GFSH ●	50	1	400	35	1.3	1	150	SOD-128
HS1GAL	50	1	400	35	1.3	1	150	Thin SMA
HS1GALH ●	50	1	400	35	1.3	1	150	Thin SMA
MUR160 ●	50	1	600	35	1.25	5	175	DO-204AC (DO-15)
MUR160A ●	50	1	600	35	1.25	5	175	DO-204AL (DO-41)
MUR160S	50	1	600	35	1.25	5	175	DO-214AA (SMB)
MUR160SH ●	50	1	600	35	1.25	5	175	DO-214AA (SMB)
HER151G ●	50	1.5	50	50	1	5	150	DO-204AC (DO-15)
HER151G-T	50	1.5	50	50	1	5	150	DO-204AC (DO-15)
HS2AA	50	1.5	50	50	1	5	150	DO-214AC (SMA)
HS2AAH ●	50	1.5	50	50	1	5	150	DO-214AC (SMA)
HER152G ●	50	1.5	100	50	1	5	150	DO-204AC (DO-15)
HER152G-T	50	1.5	100	50	1	5	150	DO-204AC (DO-15)
HS2BA	50	1.5	100	50	1	5	150	DO-214AC (SMA)

Part Number	$t_{rr}$ (ns)	$I_{F(AV)}$ (A)	$V_{RRM}$ (V)	$I_{FSM}$ (A)	$V_F$ (V)	$I_R$ ( $\mu\text{A}$ )	$T_j$ Max. ( $^\circ\text{C}$ )	Package Description
HS2BAH ●	50	1.5	100	50	1	5	150	DO-214AC (SMA)
HS15DLW	50	1.5	200	40	0.95	1	150	SOD-123W
HS15DLWH ●	50	1.5	200	40	0.95	1	150	SOD-123W
HER153G ●	50	1.5	200	50	1	5	150	DO-204AC (DO-15)
HER153G-T	50	1.5	200	50	1	5	150	DO-204AC (DO-15)
HS2DA	50	1.5	200	50	1	5	150	DO-214AC (SMA)
HS2DAH ●	50	1.5	200	50	1	5	150	DO-214AC (SMA)
HER154G ●	50	1.5	300	50	1	5	150	DO-204AC (DO-15)
HER154G-T	50	1.5	300	50	1	5	150	DO-204AC (DO-15)
HS2FA	50	1.5	300	50	1	5	150	DO-214AC (SMA)
HS2FAH ●	50	1.5	300	50	1	5	150	DO-214AC (SMA)
HS15GLW	50	1.5	400	40	1.3	1	150	SOD-123W
HS15GLWH ●	50	1.5	400	40	1.3	1	150	SOD-123W
HER155G ●	50	1.5	400	50	1.3	5	150	DO-204AC (DO-15)
HER155G-T	50	1.5	400	50	1.3	5	150	DO-204AC (DO-15)
HS2GA	50	1.5	400	50	1.3	5	150	DO-214AC (SMA)
HS2GAH ●	50	1.5	400	50	1.3	5	150	DO-214AC (SMA)
HS2A	50	2	50	50	1	5	150	DO-214AA (SMB)
HS2AH ●	50	2	50	50	1	5	150	DO-214AA (SMB)
HER201G ●	50	2	50	60	1	5	150	DO-204AC (DO-15)
HER201G-T	50	2	50	60	1	5	150	DO-204AC (DO-15)
HS2B	50	2	100	50	1	5	150	DO-214AA (SMB)
HS2BH ●	50	2	100	50	1	5	150	DO-214AA (SMB)
HER202G ●	50	2	100	60	1	5	150	DO-204AC (DO-15)
HER202G-T	50	2	100	60	1	5	150	DO-204AC (DO-15)
HS2DFL	50	2	200	40	1	5	150	SOD-123FL
HS2D	50	2	200	50	1	5	150	DO-214AA (SMB)
HS2DH ●	50	2	200	50	1	5	150	DO-214AA (SMB)

HIGH EFFICIENT ( $t_{rr}$  50-99ns)(T<sub>A</sub>=25°C unless otherwise noted)

● =AEC-Q qualified

Part Number	$t_{rr}$ (ns)	$I_{F(AV)}$ (A)	$V_{RRM}$ (V)	$I_{FSM}$ (A)	$V_F$ (V)	$I_R$ ( $\mu$ A)	$T_j$ Max. (°C)	Package Description
HS2D-T	50	2	200	50	1	5	150	DO-214AA (SMB)
HS2DA-T	50	2	200	50	1	5	150	DO-214AC (SMA)
HS2DAF-T	50	2	200	50	1	5	150	SMAF
HS2DFS	50	2	200	60	1	1	150	SOD-128
HS2DFSH ●	50	2	200	60	1	1	150	SOD-128
HS2DAL	50	2	200	60	1	1	150	Thin SMA
HS2DALH ●	50	2	200	60	1	1	150	Thin SMA
HER203G ●	50	2	200	60	1	5	150	DO-204AC (DO-15)
HER203G-T	50	2	200	60	1	5	150	DO-204AC (DO-15)
HS2F	50	2	300	50	1	5	150	DO-214AA (SMB)
HS2FH ●	50	2	300	50	1	5	150	DO-214AA (SMB)
HER204G ●	50	2	300	60	1	5	150	DO-204AC (DO-15)
HER204G-T	50	2	300	60	1	5	150	DO-204AC (DO-15)
HS2GFL	50	2	400	40	1.3	5	150	SOD-123FL
HS2G	50	2	400	50	1.3	5	150	DO-214AA (SMB)
HS2GH ●	50	2	400	50	1.3	5	150	DO-214AA (SMB)
HS2G-T	50	2	400	50	1.4	5	150	DO-214AA (SMB)
HS2GA-T	50	2	400	50	1.4	5	150	DO-214AC (SMA)
HS2GAF-T	50	2	400	50	1.4	5	150	SMAF
HS2GFS	50	2	400	60	1.3	1	150	SOD-128
HS2GFSH ●	50	2	400	60	1.3	1	150	SOD-128
HS2GAL	50	2	400	60	1.3	1	150	Thin SMA
HS2GALH ●	50	2	400	60	1.3	1	150	Thin SMA
HER205G ●	50	2	400	60	1.3	5	150	DO-204AC (DO-15)
HER205G-T	50	2	400	60	1.3	5	150	DO-204AC (DO-15)
MUR260 ●	50	2	600	35	1.35	5	175	DO-204AC (DO-15)
HS3AB	50	3	50	100	1	10	150	DO-214AA (SMB)
HS3ABH ●	50	3	50	100	1	10	150	DO-214AA (SMB)

Part Number	$t_{rr}$ (ns)	$I_{F(AV)}$ (A)	$V_{RRM}$ (V)	$I_{FSM}$ (A)	$V_F$ (V)	$I_R$ ( $\mu$ A)	$T_j$ Max. (°C)	Package Description
HER301G ●	50	3	50	125	1	10	150	DO-201AD
HER301G-K	50	3	50	125	1	10	150	DO-201AD
HS3A	50	3	50	150	1	10	150	DO-214AB (SMC)
HS3AH ●	50	3	50	150	1	10	150	DO-214AB (SMC)
HS3BB	50	3	100	100	1	10	150	DO-214AA (SMB)
HS3BBH ●	50	3	100	100	1	10	150	DO-214AA (SMB)
HER302G ●	50	3	100	125	1	10	150	DO-201AD
HER302G-K	50	3	100	125	1	10	150	DO-201AD
HS3B	50	3	100	150	1	10	150	DO-214AB (SMC)
HS3BH ●	50	3	100	150	1	10	150	DO-214AB (SMC)
HS3DB-K	50	3	200	80	1	5	150	DO-214AA (SMB)
HS3D-K	50	3	200	88	1	10	150	DO-214AB (SMC)
HS3DB	50	3	200	100	1	10	150	DO-214AA (SMB)
HS3DBH ●	50	3	200	100	1	10	150	DO-214AA (SMB)
HER303G ●	50	3	200	125	1	10	150	DO-201AD
HER303G-K	50	3	200	125	1	10	150	DO-201AD
HER3L03G ●	50	3	200	125	1.3	3	150	DO-201AD
HS3D	50	3	200	150	1	10	150	DO-214AB (SMC)
HS3DH ●	50	3	200	150	1	10	150	DO-214AB (SMC)
HS3FB	50	3	300	100	1	10	150	DO-214AA (SMB)
HS3FBH ●	50	3	300	100	1	10	150	DO-214AA (SMB)
HER304G ●	50	3	300	125	1	10	150	DO-201AD
HER304G-K	50	3	300	125	1	10	150	DO-201AD
HS3F	50	3	300	150	1	10	150	DO-214AB (SMC)
HS3FH ●	50	3	300	150	1	10	150	DO-214AB (SMC)
MUR340SB	50	3	400	75	1.25	10	175	DO-214AA (SMB)
MUR340SBH ●	50	3	400	75	1.25	10	175	DO-214AA (SMB)
MUR340S	50	3	400	75	1.25	10	175	DO-214AB (SMC)

HIGH EFFICIENT ( $t_{rr}$  50-99ns)(T<sub>A</sub>=25°C unless otherwise noted)

● =AEC-Q qualified

Part Number	$t_{rr}$ (ns)	$I_{F(AV)}$ (A)	$V_{RRM}$ (V)	$I_{FSM}$ (A)	$V_F$ (V)	$I_R$ ( $\mu$ A)	$T_j$ Max. (°C)	Package Description
MUR340SH ●	50	3	400	75	1.25	10	175	DO-214AB (SMC)
HS3GB-K	50	3	400	80	1.4	5	150	DO-214AA (SMB)
HS3G-K	50	3	400	88	1.3	10	150	DO-214AB (SMC)
HS3GB	50	3	400	100	1.3	10	150	DO-214AA (SMB)
HS3GBH ●	50	3	400	100	1.3	10	150	DO-214AA (SMB)
HER305G ●	50	3	400	125	1.3	10	150	DO-201AD
HER305G-K	50	3	400	125	1.3	10	150	DO-201AD
HER3L05G ●	50	3	400	125	1.32	5	150	DO-201AD
HS3G	50	3	400	150	1.3	10	150	DO-214AB (SMC)
HS3GH ●	50	3	400	150	1.3	10	150	DO-214AB (SMC)
MUR360SB	50	3	600	75	1.25	10	175	DO-214AA (SMB)
MUR360SBH ●	50	3	600	75	1.25	10	175	DO-214AA (SMB)
MUR360S	50	3	600	75	1.25	10	175	DO-214AB (SMC)
MUR360SH ●	50	3	600	75	1.25	10	175	DO-214AB (SMC)
TUUAU4DH ●	50	4	200	100	0.9	5	175	TO-277A (SMPC4.6U)
MUR440S	50	4	400	75	1.25	10	175	DO-214AB (SMC)
MUR440SH ●	50	4	400	75	1.25	10	175	DO-214AB (SMC)
TUUAU4GH ●	50	4	400	100	1.3	5	175	TO-277A (SMPC4.6U)
MUR440 ●	50	4	400	125	1.28	10	175	DO-201AD
MUR4L40 ●	50	4	400	125	1.28	10	175	DO-201AD
MUR460S	50	4	600	75	1.25	10	175	DO-214AB (SMC)
MUR460SH ●	50	4	600	75	1.25	10	175	DO-214AB (SMC)
TUUAU4JH ●	50	4	600	100	1.7	5	175	TO-277A (SMPC4.6U)
MUR460 ●	50	4	600	125	1.28	10	175	DO-201AD
MUR4L60 ●	50	4	600	125	1.28	10	175	DO-201AD
HS5A	50	5	50	150	1	10	150	DO-214AB (SMC)
HS5AH ●	50	5	50	150	1	10	150	DO-214AB (SMC)
HS5B	50	5	100	150	1	10	150	DO-214AB (SMC)

Part Number	$t_{rr}$ (ns)	$I_{F(AV)}$ (A)	$V_{RRM}$ (V)	$I_{FSM}$ (A)	$V_F$ (V)	$I_R$ ( $\mu$ A)	$T_j$ Max. (°C)	Package Description
HS5BH ●	50	5	100	150	1	10	150	DO-214AB (SMC)
HS5D	50	5	200	150	1	10	150	DO-214AB (SMC)
HS5DH ●	50	5	200	150	1	10	150	DO-214AB (SMC)
HS5D-A	50	5	200	164	1	10	150	DO-214AB (SMC)
HS5F	50	5	300	150	1	10	150	DO-214AB (SMC)
HS5FH ●	50	5	300	150	1	10	150	DO-214AB (SMC)
HS5G	50	5	400	150	1.3	10	150	DO-214AB (SMC)
HS5GH ●	50	5	400	150	1.3	10	150	DO-214AB (SMC)
HS5G-A	50	5	400	164	1.3	10	150	DO-214AB (SMC)
TUUAU6DH ●	50	6	200	140	1	5	175	TO-277A (SMPC4.6U)
TUUAU6GH ●	50	6	400	140	1.3	5	175	TO-277A (SMPC4.6U)
TUUAU6JH ●	50	6	600	140	1.3	5	175	TO-277A (SMPC4.6U)
HERAF801G ●	50	8	50	150	1	10	150	ITO-220AC
HERA801G ●	50	8	50	150	1	10	150	TO-220AC
HERAF802G ●	50	8	100	150	1	10	150	ITO-220AC
HERA802G ●	50	8	100	150	1	10	150	TO-220AC
TUUAU8DH ●	50	8	200	140	1	5	175	TO-277A (SMPC4.6U)
HERAF803G ●	50	8	200	150	1	10	150	ITO-220AC
HERA803G ●	50	8	200	150	1	10	150	TO-220AC
HERAF804G ●	50	8	300	150	1	10	150	ITO-220AC
HERA804G ●	50	8	300	150	1	10	150	TO-220AC
MUR840 ●	50	8	400	100	1.3	5	175	TO-220AC
TUUAU8GH ●	50	8	400	140	1.3	5	175	TO-277A (SMPC4.6U)
HERAF805G ●	50	8	400	150	1.3	10	150	ITO-220AC
HERA805G ●	50	8	400	150	1.3	10	150	TO-220AC
MUR860 ●	50	8	600	100	1.7	5	175	TO-220AC
TUUAU8JH ●	50	8	600	140	1.7	5	175	TO-277A (SMPC4.6U)
HERF1001G ●	50	10	50	125	1	10	150	ITO-220AB

HIGH EFFICIENT ( $t_{rr}$  50-99ns)(T<sub>A</sub>=25°C unless otherwise noted)

● =AEC-Q qualified

Part Number	$t_{rr}$	$I_{F(AV)}$	$V_{RRM}$	$I_{FSM}$	$V_F$	$I_R$	$T_j$ Max.	Package Description
	(ns)	(A)	(V)	(A)	(V)	( $\mu$ A)	(°C)	
HER1001G ●	50	10	50	125	1	10	150	TO-220AB
HERAF1001G ●	50	10	50	150	1	10	150	ITO-220AC
HERF1002G ●	50	10	100	125	1	10	150	ITO-220AB
HER1002G ●	50	10	100	125	1	10	150	TO-220AB
HERAF1002G ●	50	10	100	150	1	10	150	ITO-220AC
HERF1003G ●	50	10	200	125	1	10	150	ITO-220AB
HER1003G ●	50	10	200	125	1	10	150	TO-220AB
TUUAU10DH ●	50	10	200	150	1	5	175	TO-277A (SMPC4.6U)
HERAF1003G ●	50	10	200	150	1	10	150	ITO-220AC
HERF1004G ●	50	10	300	125	1	10	150	ITO-220AB
HER1004G ●	50	10	300	125	1	10	150	TO-220AB
HERAF1004G ●	50	10	300	150	1	10	150	ITO-220AC
HERF1005G ●	50	10	400	125	1.3	10	150	ITO-220AB
HER1005G ●	50	10	400	125	1.3	10	150	TO-220AB
TUUAU10GH ●	50	10	400	150	1.3	5	175	TO-277A (SMPC4.6U)
HERAF1005G ●	50	10	400	150	1.3	10	150	ITO-220AC
TUUAU10JH ●	50	10	600	150	1.7	5	175	TO-277A (SMPC4.6U)
HERF1601G ●	50	16	50	125	1	10	150	ITO-220AB
HER1601G ●	50	16	50	125	1	10	150	TO-220AB
HER1601PT ●	50	16	50	200	1	10	150	TO-247AD (TO-3P)
HERAF1601G ●	50	16	50	250	1	10	150	ITO-220AC
HERF1602G ●	50	16	100	125	1	10	150	ITO-220AB
HER1602G ●	50	16	100	125	1	10	150	TO-220AB
HER1602PT ●	50	16	100	200	1	10	150	TO-247AD (TO-3P)
HERAF1602G ●	50	16	100	250	1	10	150	ITO-220AC
HERF1603G ●	50	16	200	125	1	10	150	ITO-220AB
HER1603G ●	50	16	200	125	1	10	150	TO-220AB
HER1603PT ●	50	16	200	200	1	10	150	TO-247AD (TO-3P)

Part Number	$t_{rr}$	$I_{F(AV)}$	$V_{RRM}$	$I_{FSM}$	$V_F$	$I_R$	$T_j$ Max.	Package Description
	(ns)	(A)	(V)	(A)	(V)	( $\mu$ A)	(°C)	
HERAF1603G ●	50	16	200	250	1	10	150	ITO-220AC
HERF1604G ●	50	16	300	125	1	10	150	ITO-220AB
HER1604G ●	50	16	300	125	1	10	150	TO-220AB
HER1604PT ●	50	16	300	200	1	10	150	TO-247AD (TO-3P)
HERAF1604G ●	50	16	300	250	1	10	150	ITO-220AC
MURF1640CT ●	50	16	400	100	1.3	10	150	ITO-220AB
MUR1640CT ●	50	16	400	100	1.3	10	175	TO-220AB
HERF1605G ●	50	16	400	125	1.3	10	150	ITO-220AB
HER1605G ●	50	16	400	125	1.3	10	150	TO-220AB
HER1605PT ●	50	16	400	200	1.3	10	150	TO-247AD (TO-3P)
HERAF1605G ●	50	16	400	250	1.3	10	150	ITO-220AC
MURF1660CT ●	50	16	600	100	1.5	10	150	ITO-220AB
MUR1660CT ●	50	16	600	100	1.5	10	175	TO-220AB
UGS20JH ●	50	20	600	150	2	1	150	D2PAK-D
HER3001PT ●	50	30	50	300	1	10	150	TO-247AD (TO-3P)
HER3002PT ●	50	30	100	300	1	10	150	TO-247AD (TO-3P)
HER3003PT ●	50	30	200	300	1	10	150	TO-247AD (TO-3P)
HER3004PT ●	50	30	300	300	1	10	150	TO-247AD (TO-3P)
HER3005PT ●	50	30	400	300	1.3	10	150	TO-247AD (TO-3P)
UGS30JH ●	50	30	600	200	2	1	150	D2PAK-D
UG2JA	55	2	600	40	1.3	2	150	DO-214AC (SMA)
UG2JAH ●	55	2	600	40	1.3	2	150	DO-214AC (SMA)
BYG23M	65	1.5	1000	50	1.7	1	150	DO-214AC (SMA)
BYG23MH ●	65	1.5	1000	50	1.7	1	150	DO-214AC (SMA)
TPAU3D	65	3	200	50	1.88	10	175	TO-277A (SMPC)
TPAU3G	65	3	400	50	1.88	10	175	TO-277A (SMPC)
TPAU3J	65	3	600	50	1.88	10	175	TO-277A (SMPC)
MURF8L60 ●	65	8	600	100	1.3	5	175	ITO-220AC

HIGH EFFICIENT ( $t_{rr}$  50-99ns) $(T_A=25^\circ\text{C}$  unless otherwise noted)

● =AEC-Q qualified

Part Number	$t_{rr}$ (ns)	$I_{F(AV)}$ (A)	$V_{RRM}$ (V)	$I_{FSM}$ (A)	$V_F$ (V)	$I_R$ ( $\mu\text{A}$ )	$T_j$ Max. ( $^\circ\text{C}$ )	Package Description
MUR8L60 ●	65	8	600	100	1.3	5	175	TO-220AC
HSJLW	75	0.8	600	20	1.7	1	150	SOD-123W
HSJLWH ●	75	0.8	600	20	1.7	1	150	SOD-123W
HSKLW	75	0.8	800	20	1.7	1	150	SOD-123W
HSKLWH ●	75	0.8	800	20	1.7	1	150	SOD-123W
HSMLW	75	0.8	1000	20	1.7	1	150	SOD-123W
HSMLWH ●	75	0.8	1000	20	1.7	1	150	SOD-123W
HS1JLW	75	1	600	30	1.7	1	175	SOD-123W
HS1JLWH ●	75	1	600	30	1.7	1	175	SOD-123W
HER106G ●	75	1	600	30	1.7	5	150	DO-204AL (DO-41)
UF1J ●	75	1	600	30	1.7	5	150	DO-204AL (DO-41)
UF4005 ●	75	1	600	30	1.7	5	150	DO-204AL (DO-41)
HER106G-K	75	1	600	30	1.7	5	150	DO-204AL (DO-41)
HS1J	75	1	600	30	1.7	5	150	DO-214AC (SMA)
HS1JH ●	75	1	600	30	1.7	5	150	DO-214AC (SMA)
HS1J-K	75	1	600	30	1.7	5	150	DO-214AC (SMA)
US1J	75	1	600	30	1.7	5	150	DO-214AC (SMA)
US1JH ●	75	1	600	30	1.7	5	150	DO-214AC (SMA)
HS1JF-T	75	1	600	30	1.7	5	150	SMAF
HS1JFL	75	1	600	30	1.7	5	150	SOD-123FL
HT16G ●	75	1	600	30	1.7	5	150	TS-1
HT16G-K	75	1	600	30	1.7	5	150	TS-1
HS1JFS	75	1	600	35	1.7	1	150	SOD-128
HS1JFSH ●	75	1	600	35	1.7	1	150	SOD-128
HS1JAL	75	1	600	35	1.7	1	150	Thin SMA
HS1JALH ●	75	1	600	35	1.7	1	150	Thin SMA
HS1KLW	75	1	800	30	1.7	1	175	SOD-123W
HS1KLWH ●	75	1	800	30	1.7	1	175	SOD-123W

Part Number	$t_{rr}$ (ns)	$I_{F(AV)}$ (A)	$V_{RRM}$ (V)	$I_{FSM}$ (A)	$V_F$ (V)	$I_R$ ( $\mu\text{A}$ )	$T_j$ Max. ( $^\circ\text{C}$ )	Package Description
HER107G ●	75	1	800	30	1.7	5	150	DO-204AL (DO-41)
UF1K ●	75	1	800	30	1.7	5	150	DO-204AL (DO-41)
UF4006 ●	75	1	800	30	1.7	5	150	DO-204AL (DO-41)
HER107G-K	75	1	800	30	1.7	5	150	DO-204AL (DO-41)
HS1K	75	1	800	30	1.7	5	150	DO-214AC (SMA)
HS1KH ●	75	1	800	30	1.7	5	150	DO-214AC (SMA)
HS1K-K	75	1	800	30	1.7	5	150	DO-214AC (SMA)
US1K	75	1	800	30	1.7	5	150	DO-214AC (SMA)
US1KH ●	75	1	800	30	1.7	5	150	DO-214AC (SMA)
HS1KF-T	75	1	800	30	1.7	5	150	SMAF
HS1KFL	75	1	800	30	1.7	5	150	SOD-123FL
HT17G ●	75	1	800	30	1.7	5	150	TS-1
HT17G-K	75	1	800	30	1.7	5	150	TS-1
HS1KFS	75	1	800	35	1.7	1	150	SOD-128
HS1KFSH ●	75	1	800	35	1.7	1	150	SOD-128
HS1KAL	75	1	800	35	1.7	1	150	Thin SMA
HS1KALH ●	75	1	800	35	1.7	1	150	Thin SMA
MUR190 ●	75	1	900	35	1.7	5	150	DO-204AC (DO-15)
HS1MLW	75	1	1000	30	1.7	1	175	SOD-123W
HS1MLWH ●	75	1	1000	30	1.7	1	175	SOD-123W
HER108G ●	75	1	1000	30	1.7	5	150	DO-204AL (DO-41)
UF1M ●	75	1	1000	30	1.7	5	150	DO-204AL (DO-41)
UF4007 ●	75	1	1000	30	1.7	5	150	DO-204AL (DO-41)
HER108G-K	75	1	1000	30	1.7	5	150	DO-204AL (DO-41)
HS1M	75	1	1000	30	1.7	5	150	DO-214AC (SMA)
HS1MH ●	75	1	1000	30	1.7	5	150	DO-214AC (SMA)
HS1M-K	75	1	1000	30	1.7	5	150	DO-214AC (SMA)
US1M	75	1	1000	30	1.7	5	150	DO-214AC (SMA)



HIGH EFFICIENT ( $t_{rr}$  50-99ns) $(T_A=25^\circ\text{C}$  unless otherwise noted)

● =AEC-Q qualified

Part Number	$t_{rr}$ (ns)	$I_{F(AV)}$ (A)	$V_{RRM}$ (V)	$I_{FSM}$ (A)	$V_F$ (V)	$I_R$ ( $\mu\text{A}$ )	$T_j$ Max. ( $^\circ\text{C}$ )	Package Description
US1MH ●	75	1	1000	30	1.7	5	150	DO-214AC (SMA)
HS1MF-T	75	1	1000	30	1.7	5	150	SMAF
HS1MFL	75	1	1000	30	1.7	5	150	SOD-123FL
HT18G ●	75	1	1000	30	1.7	5	150	TS-1
HT18G-K	75	1	1000	30	1.7	5	150	TS-1
HS1MFS	75	1	1000	35	1.7	1	150	SOD-128
HS1MFSH ●	75	1	1000	35	1.7	1	150	SOD-128
HS1MAL	75	1	1000	35	1.7	1	150	Thin SMA
HS1MALH ●	75	1	1000	35	1.7	1	150	Thin SMA
BYG20D	75	1.5	200	30	1.4	1	150	DO-214AC (SMA)
BYG20DH ●	75	1.5	200	30	1.4	1	150	DO-214AC (SMA)
BYG20G	75	1.5	400	30	1.4	1	150	DO-214AC (SMA)
BYG20GH ●	75	1.5	400	30	1.4	1	150	DO-214AC (SMA)
BYG20J	75	1.5	600	30	1.4	1	150	DO-214AC (SMA)
BYG20JH ●	75	1.5	600	30	1.4	1	150	DO-214AC (SMA)
HS15JLW	75	1.5	600	40	1.7	1	150	SOD-123W
HS15JLWH ●	75	1.5	600	40	1.7	1	150	SOD-123W
HER156G ●	75	1.5	600	50	1.7	5	150	DO-204AC (DO-15)
HER156G-T	75	1.5	600	50	1.7	5	150	DO-204AC (DO-15)
HS2JA	75	1.5	600	50	1.7	5	150	DO-214AC (SMA)
HS2JAH ●	75	1.5	600	50	1.7	5	150	DO-214AC (SMA)
HS15KLW	75	1.5	800	40	1.7	1	150	SOD-123W
HS15KLWH ●	75	1.5	800	40	1.7	1	150	SOD-123W
HER157G ●	75	1.5	800	50	1.7	5	150	DO-204AC (DO-15)
HER157G-K	75	1.5	800	50	1.7	5	150	DO-204AC (DO-15)
HS2KA	75	1.5	800	50	1.7	5	150	DO-214AC (SMA)
HS2KAH ●	75	1.5	800	50	1.7	5	150	DO-214AC (SMA)
HS15MLW	75	1.5	1000	40	1.7	1	150	SOD-123W

Part Number	$t_{rr}$ (ns)	$I_{F(AV)}$ (A)	$V_{RRM}$ (V)	$I_{FSM}$ (A)	$V_F$ (V)	$I_R$ ( $\mu\text{A}$ )	$T_j$ Max. ( $^\circ\text{C}$ )	Package Description
HS15MLWH ●	75	1.5	1000	40	1.7	1	150	SOD-123W
HER158G ●	75	1.5	1000	50	1.7	5	150	DO-204AC (DO-15)
HER158G-K	75	1.5	1000	50	1.7	5	150	DO-204AC (DO-15)
HS2MA	75	1.5	1000	50	1.7	5	150	DO-214AC (SMA)
HS2MAH ●	75	1.5	1000	50	1.7	5	150	DO-214AC (SMA)
HS2JFL	75	2	600	40	1.7	5	150	SOD-123FL
HS2J	75	2	600	50	1.7	5	150	DO-214AA (SMB)
HS2JH ●	75	2	600	50	1.7	5	150	DO-214AA (SMB)
HS2J-T	75	2	600	50	1.7	5	150	DO-214AA (SMB)
HS2JA-T	75	2	600	50	1.7	5	150	DO-214AC (SMA)
HS2JAF-T	75	2	600	50	1.7	5	150	SMAF
HS2JFS	75	2	600	60	1.7	1	150	SOD-128
HS2JFSH ●	75	2	600	60	1.7	1	150	SOD-128
HS2JAL	75	2	600	60	1.7	1	150	Thin SMA
HS2JALH ●	75	2	600	60	1.7	1	150	Thin SMA
HER206G ●	75	2	600	60	1.7	5	150	DO-204AC (DO-15)
HER206G-T	75	2	600	60	1.7	5	150	DO-204AC (DO-15)
HS2KFL	75	2	800	40	1.7	5	150	SOD-123FL
HS2K	75	2	800	50	1.7	5	150	DO-214AA (SMB)
HS2KH ●	75	2	800	50	1.7	5	150	DO-214AA (SMB)
HS2K-T	75	2	800	50	1.7	5	150	DO-214AA (SMB)
HS2KA-T	75	2	800	50	1.7	5	150	DO-214AC (SMA)
HS2KAF-T	75	2	800	50	1.7	5	150	SMAF
HS2KFS	75	2	800	60	1.7	1	150	SOD-128
HS2KFSH ●	75	2	800	60	1.7	1	150	SOD-128
HS2KAL	75	2	800	60	1.7	1	150	Thin SMA
HS2KALH ●	75	2	800	60	1.7	1	150	Thin SMA
HER207G ●	75	2	800	60	1.7	5	150	DO-204AC (DO-15)

# HIGH EFFICIENT ( $t_{rr}$ 50-99ns)

(T<sub>A</sub>=25°C unless otherwise noted)

● =AEC-Q qualified

Part Number	$t_{rr}$	$I_{F(AV)}$	$V_{RRM}$	$I_{FSM}$	$V_F$	$I_R$	$T_j$ Max.	Package Description
	(ns)	(A)	(V)	(A)	(V)	( $\mu$ A)	(°C)	
HER207G-K	75	2	800	60	1.7	5	150	DO-204AC (DO-15)
HS2MFL	75	2	1000	40	1.7	5	150	SOD-123FL
HS2M	75	2	1000	50	1.7	5	150	DO-214AA (SMB)
HS2MH ●	75	2	1000	50	1.7	5	150	DO-214AA (SMB)
HS2M-T	75	2	1000	50	1.7	5	150	DO-214AA (SMB)
HS2MA-T	75	2	1000	50	1.7	5	150	DO-214AC (SMA)
HS2MAF-T	75	2	1000	50	1.7	5	150	SMAF
HS2MFS	75	2	1000	60	1.7	1	150	SOD-128
HS2MFSH ●	75	2	1000	60	1.7	1	150	SOD-128
HS2MAL	75	2	1000	60	1.7	1	150	Thin SMA
HS2MALH ●	75	2	1000	60	1.7	1	150	Thin SMA
HER208G ●	75	2	1000	60	1.7	5	150	DO-204AC (DO-15)
HER208G-K	75	2	1000	60	1.7	5	150	DO-204AC (DO-15)
HS3JB-K	75	3	600	80	1.7	5	150	DO-214AA (SMB)
HS3J-K	75	3	600	88	1.7	10	150	DO-214AB (SMC)
HER3L06G ●	75	3	600	100	1.7	10	150	DO-201AD
HS3JB	75	3	600	100	1.7	10	150	DO-214AA (SMB)
HS3JBH ●	75	3	600	100	1.7	10	150	DO-214AA (SMB)
HER306G ●	75	3	600	125	1.7	10	150	DO-201AD
HER306G-K	75	3	600	125	1.7	10	150	DO-201AD
HS3J	75	3	600	150	1.7	10	150	DO-214AB (SMC)
HS3JH ●	75	3	600	150	1.7	10	150	DO-214AB (SMC)
HS3KB-K	75	3	800	80	1.7	5	150	DO-214AA (SMB)
HS3K-K	75	3	800	88	1.7	10	150	DO-214AB (SMC)
HS3KB	75	3	800	100	1.7	10	150	DO-214AA (SMB)
HS3KBH ●	75	3	800	100	1.7	10	150	DO-214AA (SMB)
HER307G ●	75	3	800	125	1.7	10	150	DO-201AD
HER307G-K	75	3	800	125	1.7	10	150	DO-201AD

Part Number	$t_{rr}$	$I_{F(AV)}$	$V_{RRM}$	$I_{FSM}$	$V_F$	$I_R$	$T_j$ Max.	Package Description
	(ns)	(A)	(V)	(A)	(V)	( $\mu$ A)	(°C)	
HS3K	75	3	800	150	1.7	10	150	DO-214AB (SMC)
HS3KH ●	75	3	800	150	1.7	10	150	DO-214AB (SMC)
HS3MB-K	75	3	1000	80	1.7	5	150	DO-214AA (SMB)
HS3M-K	75	3	1000	88	1.7	10	150	DO-214AB (SMC)
HS3MB	75	3	1000	100	1.7	10	150	DO-214AA (SMB)
HS3MBH ●	75	3	1000	100	1.7	10	150	DO-214AA (SMB)
HER308G ●	75	3	1000	125	1.7	10	150	DO-201AD
HER308G-K	75	3	1000	125	1.7	10	150	DO-201AD
HS3M	75	3	1000	150	1.7	10	150	DO-214AB (SMC)
HS3MH ●	75	3	1000	150	1.7	10	150	DO-214AB (SMC)
TUUAU4KH ●	75	4	800	100	1.9	5	150	TO-277A (SMPC4.6U)
TUUAU4MH ●	75	4	1000	100	1.9	5	150	TO-277A (SMPC4.6U)
HS5J	75	5	600	150	1.7	10	150	DO-214AB (SMC)
HS5JH ●	75	5	600	150	1.7	10	150	DO-214AB (SMC)
HS5J-K	75	5	600	164	1.7	10	150	DO-214AB (SMC)
HS5K	75	5	800	150	1.7	10	150	DO-214AB (SMC)
HS5KH ●	75	5	800	150	1.7	10	150	DO-214AB (SMC)
HS5K-K	75	5	800	164	1.7	10	150	DO-214AB (SMC)
HS5M	75	5	1000	150	1.7	10	150	DO-214AB (SMC)
HS5MH ●	75	5	1000	150	1.7	10	150	DO-214AB (SMC)
HS5M-K	75	5	1000	164	1.7	10	150	DO-214AB (SMC)
TUUAU6KH ●	75	6	800	140	1.7	5	150	TO-277A (SMPC4.6U)
TUUAU6MH ●	75	6	1000	140	1.7	5	150	TO-277A (SMPC4.6U)
HERAF806G ●	80	8	600	150	1.7	10	150	ITO-220AC
HERA806G ●	80	8	600	150	1.7	10	150	TO-220AC
TUUAU8KH ●	80	8	800	140	1.7	5	150	TO-277A (SMPC4.6U)
HERAF807G ●	80	8	800	150	1.7	10	150	ITO-220AC
HERA807G ●	80	8	800	150	1.7	10	150	TO-220AC

# HIGH EFFICIENT ( $t_{rr}$ 50-99ns)

(T<sub>A</sub>=25°C unless otherwise noted)

● =AEC-Q qualified

Part Number	$t_{rr}$	$I_{F(AV)}$	$V_{RRM}$	$I_{FSM}$	$V_F$	$I_R$	$T_j$ Max.	Package Description
	(ns)	(A)	(V)	(A)	(V)	( $\mu$ A)	(°C)	
TUAU8MH ●	80	8	1000	140	1.7	5	150	TO-277A (SMPC4.6U)
HERAF808G ●	80	8	1000	150	1.7	10	150	ITO-220AC
HERA808G ●	80	8	1000	150	1.7	10	150	TO-220AC
HERF1006G ●	80	10	600	125	1.7	10	150	ITO-220AB
HER1006G ●	80	10	600	125	1.7	10	150	TO-220AB
HERAF1006G ●	80	10	600	150	1.7	10	150	ITO-220AC
HERF1007G ●	80	10	800	125	1.7	10	150	ITO-220AB
HERF1007GA ●	80	10	800	125	1.7	10	150	ITO-220AB
HER1007G ●	80	10	800	125	1.7	10	150	TO-220AB
HERAF1007G ●	80	10	800	150	1.7	10	150	ITO-220AC
TUAU10KH ●	80	10	800	150	1.9	5	150	TO-277A (SMPC4.6U)
HERF1008G ●	80	10	1000	125	1.7	10	150	ITO-220AB
HERF1008GA ●	80	10	1000	125	1.7	10	150	ITO-220AB
HER1008G ●	80	10	1000	125	1.7	10	150	TO-220AB
HERAF1008G ●	80	10	1000	150	1.7	10	150	ITO-220AC
TUAU10MH ●	80	10	1000	150	1.9	5	150	TO-277A (SMPC4.6U)
HERF1606G ●	80	16	600	125	1.7	10	150	ITO-220AB
HER1606G ●	80	16	600	125	1.7	10	150	TO-220AB
HER1606PT ●	80	16	600	200	1.7	10	150	TO-247AD (TO-3P)
HERAF1606G ●	80	16	600	250	1.7	10	150	ITO-220AC
HERF1607G ●	80	16	800	125	1.7	10	150	ITO-220AB
HER1607G ●	80	16	800	125	1.7	10	150	TO-220AB
HER1607PT ●	80	16	800	200	1.7	10	150	TO-247AD (TO-3P)
HERF1608G ●	80	16	1000	125	1.7	10	150	ITO-220AB
HER1608G ●	80	16	1000	125	1.7	10	150	TO-220AB
HER1608PT ●	80	16	1000	200	1.7	10	150	TO-247AD (TO-3P)
HER3006PT ●	80	30	600	300	1.7	10	150	TO-247AD (TO-3P)

SUPER FAST RECOVERY ( $t_{rr}$  30-49ns)(T<sub>A</sub>=25°C unless otherwise noted)

● =AEC-Q qualified

Part Number	$t_{rr}$ (ns)	$I_{F(AV)}$ (A)	$V_{RRM}$ (V)	$I_{FSM}$ (A)	$V_F$ (V)	$I_R$ ( $\mu$ A)	$T_j$ Max. (°C)	Package Description
ESDLW	35	0.8	200	20	0.95	1	150	SOD-123W
ESDLWH ●	35	0.8	200	20	0.95	1	150	SOD-123W
ESGLW	35	0.8	400	20	1.3	1	150	SOD-123W
ESGLWH ●	35	0.8	400	20	1.3	1	150	SOD-123W
ESJLW	35	0.8	600	20	1.7	1	150	SOD-123W
ESJLWH ●	35	0.8	600	20	1.7	1	150	SOD-123W
SF11G ●	35	1	50	30	0.95	5	150	DO-204AL (DO-41)
SF11G-K	35	1	50	30	0.95	5	150	DO-204AL (DO-41)
ES1A	35	1	50	30	0.95	5	150	DO-214AC (SMA)
ES1AH ●	35	1	50	30	0.95	5	150	DO-214AC (SMA)
SFT11G ●	35	1	50	30	0.95	5	150	TS-1
ES1BFS	35	1	100	30	0.95	1	150	SOD-128
ES1BFSH ●	35	1	100	30	0.95	1	150	SOD-128
ES1BAL	35	1	100	30	0.95	1	150	Thin SMA
ES1BALH ●	35	1	100	30	0.95	1	150	Thin SMA
SF12G ●	35	1	100	30	0.95	5	150	DO-204AL (DO-41)
SF12G-K	35	1	100	30	0.95	5	150	DO-204AL (DO-41)
ES1B	35	1	100	30	0.95	5	150	DO-214AC (SMA)
ES1BH ●	35	1	100	30	0.95	5	150	DO-214AC (SMA)
SFT12G ●	35	1	100	30	0.95	5	150	TS-1
SF13G ●	35	1	150	30	0.95	5	150	DO-204AL (DO-41)
SF13G-K	35	1	150	30	0.95	5	150	DO-204AL (DO-41)
ES1C	35	1	150	30	0.95	5	150	DO-214AC (SMA)
ES1CH ●	35	1	150	30	0.95	5	150	DO-214AC (SMA)
SFT13G ●	35	1	150	30	0.95	5	150	TS-1
ES1DFS	35	1	200	30	0.95	1	150	SOD-128
ES1DFSH ●	35	1	200	30	0.95	1	150	SOD-128
ES1DAL	35	1	200	30	0.95	1	150	Thin SMA

Part Number	$t_{rr}$ (ns)	$I_{F(AV)}$ (A)	$V_{RRM}$ (V)	$I_{FSM}$ (A)	$V_F$ (V)	$I_R$ ( $\mu$ A)	$T_j$ Max. (°C)	Package Description
ES1DALH ●	35	1	200	30	0.95	1	150	Thin SMA
SF14G ●	35	1	200	30	0.95	5	150	DO-204AL (DO-41)
SF14G-K	35	1	200	30	0.95	5	150	DO-204AL (DO-41)
ES1D	35	1	200	30	0.95	5	150	DO-214AC (SMA)
ES1DH ●	35	1	200	30	0.95	5	150	DO-214AC (SMA)
ES1D-T	35	1	200	30	0.95	5	150	DO-214AC (SMA)
ES1LD	35	1	200	30	0.95	5	150	DO-214AC (SMA)
ES1LDH ●	35	1	200	30	0.95	5	150	DO-214AC (SMA)
ES1DF-T	35	1	200	30	0.95	5	150	SMAF
SFT14G ●	35	1	200	30	0.95	5	150	TS-1
ES1DLW	35	1	200	30	0.95	5	175	SOD-123W
ES1DLWH ●	35	1	200	30	0.95	5	175	SOD-123W
ES1DFL	35	1	200	30	1	5	150	SOD-123FL
SF15G ●	35	1	300	30	1.3	5	150	DO-204AL (DO-41)
SF15G-K	35	1	300	30	1.3	5	150	DO-204AL (DO-41)
ES1F	35	1	300	30	1.3	5	150	DO-214AC (SMA)
ES1FH ●	35	1	300	30	1.3	5	150	DO-214AC (SMA)
SFT15G ●	35	1	300	30	1.3	5	150	TS-1
ES1GF-T	35	1	400	30	1.25	5	150	SMAF
ES1GFS	35	1	400	30	1.3	1	150	SOD-128
ES1GFSH ●	35	1	400	30	1.3	1	150	SOD-128
ES1GAL	35	1	400	30	1.3	1	150	Thin SMA
ES1GALH ●	35	1	400	30	1.3	1	150	Thin SMA
SF16G ●	35	1	400	30	1.3	5	150	DO-204AL (DO-41)
SF16G-K	35	1	400	30	1.3	5	150	DO-204AL (DO-41)
ES1G	35	1	400	30	1.3	5	150	DO-214AC (SMA)
ES1GH ●	35	1	400	30	1.3	5	150	DO-214AC (SMA)
ES1G-T	35	1	400	30	1.3	5	150	DO-214AC (SMA)

SUPER FAST RECOVERY ( $t_{rr}$  30-49ns)(T<sub>A</sub>=25°C unless otherwise noted)

● =AEC-Q qualified

Part Number	$t_{rr}$	$I_{F(AV)}$	$V_{RRM}$	$I_{FSM}$	$V_F$	$I_R$	$T_j$ Max.	Package Description
	(ns)	(A)	(V)	(A)	(V)	(μA)	(°C)	
ES1LG	35	1	400	30	1.3	5	150	DO-214AC (SMA)
ES1LGH ●	35	1	400	30	1.3	5	150	DO-214AC (SMA)
ES1GFL	35	1	400	30	1.3	5	150	SOD-123FL
SFT16G ●	35	1	400	30	1.3	5	150	TS-1
ES1GLW	35	1	400	30	1.3	5	175	SOD-123W
ES1GLWH ●	35	1	400	30	1.3	5	175	SOD-123W
SF17G ●	35	1	500	30	1.7	5	150	DO-204AL (DO-41)
SF17G-K	35	1	500	30	1.7	5	150	DO-204AL (DO-41)
ES1H	35	1	500	30	1.7	5	150	DO-214AC (SMA)
ES1HH ●	35	1	500	30	1.7	5	150	DO-214AC (SMA)
SFT17G ●	35	1	500	30	1.7	5	150	TS-1
ES1JFS	35	1	600	30	1.7	1	150	SOD-128
ES1JFSH ●	35	1	600	30	1.7	1	150	SOD-128
ES1JAL	35	1	600	30	1.7	1	150	Thin SMA
ES1JALH ●	35	1	600	30	1.7	1	150	Thin SMA
SF18G ●	35	1	600	30	1.7	5	150	DO-204AL (DO-41)
SF18G-K	35	1	600	30	1.7	5	150	DO-204AL (DO-41)
ES1J	35	1	600	30	1.7	5	150	DO-214AC (SMA)
ES1JH ●	35	1	600	30	1.7	5	150	DO-214AC (SMA)
ES1J-T	35	1	600	30	1.7	5	150	DO-214AC (SMA)
ES1LJ	35	1	600	30	1.7	5	150	DO-214AC (SMA)
ES1LJH ●	35	1	600	30	1.7	5	150	DO-214AC (SMA)
ES1JF-T	35	1	600	30	1.7	5	150	SMAF
ES1JFL	35	1	600	30	1.7	5	150	SOD-123FL
SFT18G ●	35	1	600	30	1.7	5	150	TS-1
ES1JLW	35	1	600	30	1.7	5	175	SOD-123W
ES1JLWH ●	35	1	600	30	1.7	5	175	SOD-123W
ES15DLW	35	1.5	200	40	0.95	1	150	SOD-123W

Part Number	$t_{rr}$	$I_{F(AV)}$	$V_{RRM}$	$I_{FSM}$	$V_F$	$I_R$	$T_j$ Max.	Package Description
	(ns)	(A)	(V)	(A)	(V)	(μA)	(°C)	
ES15DLWH ●	35	1.5	200	40	0.95	1	150	SOD-123W
ES15GLW	35	1.5	400	40	1.3	1	150	SOD-123W
ES15GLWH ●	35	1.5	400	40	1.3	1	150	SOD-123W
ES15JLW	35	1.5	600	40	1.7	1	150	SOD-123W
ES15JLWH ●	35	1.5	600	40	1.7	1	150	SOD-123W
SF21G ●	35	2	50	50	0.95	5	150	DO-204AC (DO-15)
SF21G-T	35	2	50	50	0.95	5	150	DO-204AC (DO-15)
ES2A	35	2	50	50	0.95	10	150	DO-214AA (SMB)
ES2AH ●	35	2	50	50	0.95	10	150	DO-214AA (SMB)
ES2AA	35	2	50	50	0.95	10	150	DO-214AC (SMA)
ES2AAH ●	35	2	50	50	0.95	10	150	DO-214AC (SMA)
ES2BFS	35	2	100	50	0.95	1	150	SOD-128
ES2BFSH ●	35	2	100	50	0.95	1	150	SOD-128
ES2BAL	35	2	100	50	0.95	1	150	Thin SMA
ES2BALH ●	35	2	100	50	0.95	1	150	Thin SMA
SF22G ●	35	2	100	50	0.95	5	150	DO-204AC (DO-15)
SF22G-T	35	2	100	50	0.95	5	150	DO-204AC (DO-15)
ES2B	35	2	100	50	0.95	10	150	DO-214AA (SMB)
ES2BH ●	35	2	100	50	0.95	10	150	DO-214AA (SMB)
ES2BA	35	2	100	50	0.95	10	150	DO-214AC (SMA)
ES2BAH ●	35	2	100	50	0.95	10	150	DO-214AC (SMA)
SF23G ●	35	2	150	50	0.95	5	150	DO-204AC (DO-15)
SF23G-T	35	2	150	50	0.95	5	150	DO-204AC (DO-15)
ES2C	35	2	150	50	0.95	10	150	DO-214AA (SMB)
ES2CH ●	35	2	150	50	0.95	10	150	DO-214AA (SMB)
ES2CA	35	2	150	50	0.95	10	150	DO-214AC (SMA)
ES2CAH ●	35	2	150	50	0.95	10	150	DO-214AC (SMA)
ES2DFL	35	2	200	40	1	5	150	SOD-123FL

SUPER FAST RECOVERY ( $t_{rr}$  30-49ns)(T<sub>A</sub>=25°C unless otherwise noted)

● =AEC-Q qualified

Part Number	$t_{rr}$ (ns)	$I_{F(AV)}$ (A)	$V_{RRM}$ (V)	$I_{FSM}$ (A)	$V_F$ (V)	$I_R$ ( $\mu$ A)	$T_j$ Max. (°C)	Package Description
ES2LD	35	2	200	50	0.94	10	150	DO-214AA (SMB)
ES2LDH ●	35	2	200	50	0.94	10	150	DO-214AA (SMB)
SF2L4G ●	35	2	200	50	0.95	1	150	DO-204AC (DO-15)
ES2DFS	35	2	200	50	0.95	1	150	SOD-128
ES2DFSH ●	35	2	200	50	0.95	1	150	SOD-128
ES2DAL	35	2	200	50	0.95	1	150	Thin SMA
ES2DALH ●	35	2	200	50	0.95	1	150	Thin SMA
SF24G ●	35	2	200	50	0.95	5	150	DO-204AC (DO-15)
SF24G-T	35	2	200	50	0.95	5	150	DO-204AC (DO-15)
ES2DA-T	35	2	200	50	0.95	5	150	DO-214AC (SMA)
ES2DAF-T	35	2	200	50	0.95	5	150	SMAF
ES2D	35	2	200	50	0.95	10	150	DO-214AA (SMB)
ES2DH ●	35	2	200	50	0.95	10	150	DO-214AA (SMB)
ES2D-T	35	2	200	50	0.95	10	150	DO-214AA (SMB)
ES2DA	35	2	200	50	0.95	10	150	DO-214AC (SMA)
ES2DAH ●	35	2	200	50	0.95	10	150	DO-214AC (SMA)
SF25G ●	35	2	300	50	1.3	5	150	DO-204AC (DO-15)
SF25G-T	35	2	300	50	1.3	5	150	DO-204AC (DO-15)
ES2F	35	2	300	50	1.3	10	150	DO-214AA (SMB)
ES2FH ●	35	2	300	50	1.3	10	150	DO-214AA (SMB)
ES2FA	35	2	300	50	1.3	10	150	DO-214AC (SMA)
ES2FAH ●	35	2	300	50	1.3	10	150	DO-214AC (SMA)
ES2GFL	35	2	400	40	1.3	5	150	SOD-123FL
ES2GA-T	35	2	400	50	1.25	5	150	DO-214AC (SMA)
ES2GAF-T	35	2	400	50	1.25	5	150	SMAF
SF2L6G ●	35	2	400	50	1.3	1	150	DO-204AC (DO-15)
ES2GFS	35	2	400	50	1.3	1	150	SOD-128
ES2GFSH ●	35	2	400	50	1.3	1	150	SOD-128

Part Number	$t_{rr}$ (ns)	$I_{F(AV)}$ (A)	$V_{RRM}$ (V)	$I_{FSM}$ (A)	$V_F$ (V)	$I_R$ ( $\mu$ A)	$T_j$ Max. (°C)	Package Description
ES2GAL	35	2	400	50	1.3	1	150	Thin SMA
ES2GALH ●	35	2	400	50	1.3	1	150	Thin SMA
SF26G ●	35	2	400	50	1.3	5	150	DO-204AC (DO-15)
SF26G-T	35	2	400	50	1.3	5	150	DO-204AC (DO-15)
ES2G	35	2	400	50	1.3	10	150	DO-214AA (SMB)
ES2GH ●	35	2	400	50	1.3	10	150	DO-214AA (SMB)
ES2G-T	35	2	400	50	1.3	10	150	DO-214AA (SMB)
ES2LG	35	2	400	50	1.3	10	150	DO-214AA (SMB)
ES2LGH ●	35	2	400	50	1.3	10	150	DO-214AA (SMB)
ES2GA	35	2	400	50	1.3	10	150	DO-214AC (SMA)
ES2GAH ●	35	2	400	50	1.3	10	150	DO-214AC (SMA)
SF27G ●	35	2	500	50	1.7	5	150	DO-204AC (DO-15)
SF27G-T	35	2	500	50	1.7	5	150	DO-204AC (DO-15)
ES2H	35	2	500	50	1.7	10	150	DO-214AA (SMB)
ES2HH ●	35	2	500	50	1.7	10	150	DO-214AA (SMB)
ES2HA	35	2	500	50	1.7	10	150	DO-214AC (SMA)
ES2HAH ●	35	2	500	50	1.7	10	150	DO-214AC (SMA)
SF2L8G ●	35	2	600	40	1.7	1	150	DO-204AC (DO-15)
ES2JFL	35	2	600	40	1.7	5	150	SOD-123FL
ES2JFS	35	2	600	50	1.7	1	150	SOD-128
ES2JFSH ●	35	2	600	50	1.7	1	150	SOD-128
ES2JAL	35	2	600	50	1.7	1	150	Thin SMA
ES2JALH ●	35	2	600	50	1.7	1	150	Thin SMA
SF28G ●	35	2	600	50	1.7	5	150	DO-204AC (DO-15)
SF28G-T	35	2	600	50	1.7	5	150	DO-204AC (DO-15)
ES2JA-T	35	2	600	50	1.7	5	150	DO-214AC (SMA)
ES2JAF-T	35	2	600	50	1.7	5	150	SMAF
ES2J	35	2	600	50	1.7	10	150	DO-214AA (SMB)

# SUPER FAST RECOVERY ( $t_{rr}$ 30-49ns)

(T<sub>A</sub>=25°C unless otherwise noted)

● =AEC-Q qualified

Part Number	$t_{rr}$	$I_{F(AV)}$	$V_{RRM}$	$I_{FSM}$	$V_F$	$I_R$	$T_j$ Max.	Package Description
	(ns)	(A)	(V)	(A)	(V)	( $\mu$ A)	(°C)	
ES2JH ●	35	2	600	50	1.7	10	150	DO-214AA (SMB)
ES2J-T	35	2	600	50	1.7	10	150	DO-214AA (SMB)
ES2LJ	35	2	600	50	1.7	10	150	DO-214AA (SMB)
ES2LJH ●	35	2	600	50	1.7	10	150	DO-214AA (SMB)
ES2JA	35	2	600	50	1.7	10	150	DO-214AC (SMA)
ES2JAH ●	35	2	600	50	1.7	10	150	DO-214AC (SMA)
ES3A	35	3	50	100	0.95	10	150	DO-214AB (SMC)
ES3AH ●	35	3	50	100	0.95	10	150	DO-214AB (SMC)
ES3AB	35	3	50	100	1.00	10	150	DO-214AA (SMB)
ES3ABH ●	35	3	50	100	1.00	10	150	DO-214AA (SMB)
SF31G ●	35	3	50	125	0.95	5	150	DO-201AD
SF31G-A	35	3	50	125	0.95	5	150	DO-201AD
ES3B	35	3	100	100	0.95	10	150	DO-214AB (SMC)
ES3BH ●	35	3	100	100	0.95	10	150	DO-214AB (SMC)
ES3BB	35	3	100	100	1.00	10	150	DO-214AA (SMB)
ES3BBH ●	35	3	100	100	1.00	10	150	DO-214AA (SMB)
SF32G ●	35	3	100	125	0.95	5	150	DO-201AD
SF32G-A	35	3	100	125	0.95	5	150	DO-201AD
ES3C	35	3	150	100	0.95	10	150	DO-214AB (SMC)
ES3CH ●	35	3	150	100	0.95	10	150	DO-214AB (SMC)
ES3CB	35	3	150	100	1.00	10	150	DO-214AA (SMB)
ES3CBH ●	35	3	150	100	1.00	10	150	DO-214AA (SMB)
SF33G ●	35	3	150	125	0.95	5	150	DO-201AD
SF33G-A	35	3	150	125	0.95	5	150	DO-201AD
ES3DB-A	35	3	200	80	0.95	5	150	DO-214AA (SMB)
ES3D-A	35	3	200	88	0.95	5	150	DO-214AB (SMC)
ES3D	35	3	200	100	0.95	10	150	DO-214AB (SMC)
ES3DH ●	35	3	200	100	0.95	10	150	DO-214AB (SMC)

Part Number	$t_{rr}$	$I_{F(AV)}$	$V_{RRM}$	$I_{FSM}$	$V_F$	$I_R$	$T_j$ Max.	Package Description
	(ns)	(A)	(V)	(A)	(V)	( $\mu$ A)	(°C)	
ES3DB	35	3	200	100	1.00	10	150	DO-214AA (SMB)
ES3DBH ●	35	3	200	100	1.00	10	150	DO-214AA (SMB)
SF34G ●	35	3	200	125	0.95	5	150	DO-201AD
SF34G-A	35	3	200	125	0.95	5	150	DO-201AD
ES3FB	35	3	300	100	1.13	10	150	DO-214AA (SMB)
ES3FBH ●	35	3	300	100	1.13	10	150	DO-214AA (SMB)
ES3F	35	3	300	100	1.3	10	150	DO-214AB (SMC)
ES3FH ●	35	3	300	100	1.3	10	150	DO-214AB (SMC)
SF35G ●	35	3	300	125	1.3	5	150	DO-201AD
SF35G-A	35	3	300	125	1.3	5	150	DO-201AD
31DF4	35	3	400	45	1.7	20	150	DO-201AD
ES3GB-A	35	3	400	80	1.25	5	150	DO-214AA (SMB)
ES3G-A	35	3	400	88	1.3	5	150	DO-214AB (SMC)
ES3GB	35	3	400	100	1.13	10	150	DO-214AA (SMB)
ES3GBH ●	35	3	400	100	1.13	10	150	DO-214AA (SMB)
ES3G	35	3	400	100	1.3	10	150	DO-214AB (SMC)
ES3GH ●	35	3	400	100	1.3	10	150	DO-214AB (SMC)
SF36G ●	35	3	400	125	1.3	5	150	DO-201AD
SF36G-A	35	3	400	125	1.3	5	150	DO-201AD
ES3HB	35	3	500	100	1.45	10	150	DO-214AA (SMB)
ES3HBH ●	35	3	500	100	1.45	10	150	DO-214AA (SMB)
ES3H	35	3	500	100	1.7	10	150	DO-214AB (SMC)
ES3HH ●	35	3	500	100	1.7	10	150	DO-214AB (SMC)
SF37G ●	35	3	500	125	1.7	5	150	DO-201AD
SF37G-A	35	3	500	125	1.7	5	150	DO-201AD
31DF6	35	3	600	45	1.7	20	150	DO-201AD
ES3JB-A	35	3	600	80	1.7	5	150	DO-214AA (SMB)
ES3J-A	35	3	600	88	1.7	5	150	DO-214AB (SMC)

SUPER FAST RECOVERY ( $t_{rr}$  30-49ns)(T<sub>A</sub>=25°C unless otherwise noted)

● =AEC-Q qualified

Part Number	$t_{rr}$	$I_{F(AV)}$	$V_{RRM}$	$I_{FSM}$	$V_F$	$I_R$	$T_j$ Max.	Package Description
	(ns)	(A)	(V)	(A)	(V)	(μA)	(°C)	
ES3JB	35	3	600	100	1.45	10	150	DO-214AA (SMB)
ES3JBH ●	35	3	600	100	1.45	10	150	DO-214AA (SMB)
ES3J	35	3	600	100	1.7	10	150	DO-214AB (SMC)
ES3JH ●	35	3	600	100	1.7	10	150	DO-214AB (SMC)
SF38G ●	35	3	600	125	1.7	5	150	DO-201AD
SF38G-A	35	3	600	125	1.7	5	150	DO-201AD
SF41G ●	35	4	50	125	1	5	150	DO-201AD
SF42G ●	35	4	100	125	1	5	150	DO-201AD
SF43G ●	35	4	150	125	1	5	150	DO-201AD
SF44G ●	35	4	200	125	1	5	150	DO-201AD
SF45G ●	35	4	300	125	1.3	5	150	DO-201AD
SF46G ●	35	4	400	125	1.3	5	150	DO-201AD
SF47G ●	35	4	500	125	1.7	5	150	DO-201AD
SF48G ●	35	4	600	125	1.7	5	150	DO-201AD
SFF501G ●	35	5	50	70	0.98	10	150	ITO-220AB
SFAF501G ●	35	5	50	125	0.975	10	150	ITO-220AC
SFF502G ●	35	5	100	70	0.98	10	150	ITO-220AB
SFAF502G ●	35	5	100	125	0.975	10	150	ITO-220AC
SFF503G ●	35	5	150	70	0.98	10	150	ITO-220AB
SFAF503G ●	35	5	150	125	0.975	10	150	ITO-220AC
SFF504G ●	35	5	200	70	0.98	10	150	ITO-220AB
SFAF504G ●	35	5	200	125	0.975	10	150	ITO-220AC
ES5D-T	35	5	200	164	0.95	10	150	DO-214AB (SMC)
SFF505G ●	35	5	300	70	1.3	10	150	ITO-220AB
SFAF505G ●	35	5	300	125	1.3	10	150	ITO-220AC
SFF506G ●	35	5	400	70	1.3	10	150	ITO-220AB
SFAF506G ●	35	5	400	125	1.3	10	150	ITO-220AC
ES5G-T	35	5	400	164	1.3	10	150	DO-214AB (SMC)

Part Number	$t_{rr}$	$I_{F(AV)}$	$V_{RRM}$	$I_{FSM}$	$V_F$	$I_R$	$T_j$ Max.	Package Description
	(ns)	(A)	(V)	(A)	(V)	(μA)	(°C)	
SFF507G ●	35	5	500	70	1.7	10	150	ITO-220AB
SFAF507G ●	35	5	500	125	1.7	10	150	ITO-220AC
SFF508G ●	35	5	600	70	1.7	10	150	ITO-220AB
SFAF508G ●	35	5	600	125	1.7	10	150	ITO-220AC
ES5J-T	35	5	600	164	1.7	10	150	DO-214AB (SMC)
SF61G ●	35	6	50	150	0.975	5	150	DO-201AD
SF62G ●	35	6	100	150	0.975	5	150	DO-201AD
SF63G ●	35	6	150	150	0.975	5	150	DO-201AD
SF64G ●	35	6	200	150	0.975	5	150	DO-201AD
SF65G ●	35	6	300	150	1.3	5	150	DO-201AD
TPMR6G	35	6	400	100	1.2	10	175	TO-277A (SMPC)
TPMR6GH ●	35	6	400	100	1.2	10	175	TO-277A (SMPC)
SF66G ●	35	6	400	150	1.3	5	150	DO-201AD
SF67G ●	35	6	500	150	1.7	5	150	DO-201AD
SF68G ●	35	6	600	150	1.7	5	150	DO-201AD
SFAF801G ●	35	8	50	125	0.95	10	150	ITO-220AC
SFAS801G	35	8	50	125	0.95	10	150	TO-263AB (D <sup>2</sup> -PAK)
SFAS801GH ●	35	8	50	125	0.95	10	150	TO-263AB (D <sup>2</sup> -PAK)
SF801G ●	35	8	50	125	0.975	10	150	TO-220AB
SFA801G ●	35	8	50	125	0.975	10	150	TO-220AC
SFAF802G ●	35	8	100	125	0.95	10	150	ITO-220AC
SFAS802G	35	8	100	125	0.95	10	150	TO-263AB (D <sup>2</sup> -PAK)
SFAS802GH ●	35	8	100	125	0.95	10	150	TO-263AB (D <sup>2</sup> -PAK)
SF802G ●	35	8	100	125	0.975	10	150	TO-220AB
SFA802G ●	35	8	100	125	0.975	10	150	TO-220AC
SFAF803G ●	35	8	150	125	0.95	10	150	ITO-220AC
SFAS803G	35	8	150	125	0.95	10	150	TO-263AB (D <sup>2</sup> -PAK)
SFAS803GH ●	35	8	150	125	0.95	10	150	TO-263AB (D <sup>2</sup> -PAK)



# SUPER FAST RECOVERY ( $t_{rr}$ 30-49ns)

(T<sub>A</sub>=25°C unless otherwise noted)

● =AEC-Q qualified

Part Number	$t_{rr}$	$I_{F(AV)}$	$V_{RRM}$	$I_{FSM}$	$V_F$	$I_R$	$T_j$ Max.	Package Description
	(ns)	(A)	(V)	(A)	(V)	( $\mu$ A)	(°C)	
SF803G ●	35	8	150	125	0.975	10	150	TO-220AB
SFA803G ●	35	8	150	125	0.975	10	150	TO-220AC
SFAF804G ●	35	8	200	125	0.95	10	150	ITO-220AC
SFAS804G	35	8	200	125	0.95	10	150	TO-263AB (D <sup>2</sup> -PAK)
SFAS804GH ●	35	8	200	125	0.95	10	150	TO-263AB (D <sup>2</sup> -PAK)
SF804G ●	35	8	200	125	0.975	10	150	TO-220AB
SFA804G ●	35	8	200	125	0.975	10	150	TO-220AC
SFAF805G ●	35	8	300	125	1.3	10	150	ITO-220AC
SF805G ●	35	8	300	125	1.3	10	150	TO-220AB
SFA805G ●	35	8	300	125	1.3	10	150	TO-220AC
SFAS805G	35	8	300	125	1.3	10	150	TO-263AB (D <sup>2</sup> -PAK)
SFAS805GH ●	35	8	300	125	1.3	10	150	TO-263AB (D <sup>2</sup> -PAK)
SFAF806G ●	35	8	400	125	1.3	10	150	ITO-220AC
SF806G ●	35	8	400	125	1.3	10	150	TO-220AB
SFA806G ●	35	8	400	125	1.3	10	150	TO-220AC
SFAS806G	35	8	400	125	1.3	10	150	TO-263AB (D <sup>2</sup> -PAK)
SFAS806GH ●	35	8	400	125	1.3	10	150	TO-263AB (D <sup>2</sup> -PAK)
SFAF807G ●	35	8	500	125	1.7	10	150	ITO-220AC
SF807G ●	35	8	500	125	1.7	10	150	TO-220AB
SFA807G ●	35	8	500	125	1.7	10	150	TO-220AC
SFAS807G	35	8	500	125	1.7	10	150	TO-263AB (D <sup>2</sup> -PAK)
SFAS807GH ●	35	8	500	125	1.7	10	150	TO-263AB (D <sup>2</sup> -PAK)
SFAF808G ●	35	8	600	125	1.7	10	150	ITO-220AC
SF808G ●	35	8	600	125	1.7	10	150	TO-220AB
SFA808G ●	35	8	600	125	1.7	10	150	TO-220AC
SFAS808G	35	8	600	125	1.7	10	150	TO-263AB (D <sup>2</sup> -PAK)
SFAS808GH ●	35	8	600	125	1.7	10	150	TO-263AB (D <sup>2</sup> -PAK)
SFS1001G	35	10	50	125	0.975	1	150	TO-263AB (D <sup>2</sup> -PAK)

Part Number	$t_{rr}$	$I_{F(AV)}$	$V_{RRM}$	$I_{FSM}$	$V_F$	$I_R$	$T_j$ Max.	Package Description
	(ns)	(A)	(V)	(A)	(V)	( $\mu$ A)	(°C)	
SFS1001GH ●	35	10	50	125	0.975	1	150	TO-263AB (D <sup>2</sup> -PAK)
SFF1001G ●	35	10	50	125	0.975	10	150	ITO-220AB
SFF1001GA ●	35	10	50	125	0.975	10	150	ITO-220AB
SF1001G ●	35	10	50	125	0.975	10	150	TO-220AB
SFA1001G ●	35	10	50	125	0.975	10	150	TO-220AC
SFAF1001G ●	35	10	50	150	0.975	10	150	ITO-220AC
SFS1002G	35	10	100	125	0.975	1	150	TO-263AB (D <sup>2</sup> -PAK)
SFS1002GH ●	35	10	100	125	0.975	1	150	TO-263AB (D <sup>2</sup> -PAK)
SFF1002G ●	35	10	100	125	0.975	10	150	ITO-220AB
SFF1002GA ●	35	10	100	125	0.975	10	150	ITO-220AB
SF1002G ●	35	10	100	125	0.975	10	150	TO-220AB
SFA1002G ●	35	10	100	125	0.975	10	150	TO-220AC
SFAF1002G ●	35	10	100	150	0.975	10	150	ITO-220AC
SFS1003G	35	10	150	125	0.975	1	150	TO-263AB (D <sup>2</sup> -PAK)
SFS1003GH ●	35	10	150	125	0.975	1	150	TO-263AB (D <sup>2</sup> -PAK)
SFF1003G ●	35	10	150	125	0.975	10	150	ITO-220AB
SFF1003GA ●	35	10	150	125	0.975	10	150	ITO-220AB
SF1003G ●	35	10	150	125	0.975	10	150	TO-220AB
SFA1003G ●	35	10	150	125	0.975	10	150	TO-220AC
SFAF1003G ●	35	10	150	150	0.975	10	150	ITO-220AC
SFS1004G	35	10	200	125	0.975	1	150	TO-263AB (D <sup>2</sup> -PAK)
SFS1004GH ●	35	10	200	125	0.975	1	150	TO-263AB (D <sup>2</sup> -PAK)
SFF1004G ●	35	10	200	125	0.975	10	150	ITO-220AB
SFF1004GA ●	35	10	200	125	0.975	10	150	ITO-220AB
SF1004G ●	35	10	200	125	0.975	10	150	TO-220AB
SFA1004G ●	35	10	200	125	0.975	10	150	TO-220AC
SFF10L04G ●	35	10	200	125	0.98	10	150	ITO-220AB
SFF10L04GA ●	35	10	200	125	0.98	10	150	ITO-220AB

# SUPER FAST RECOVERY ( $t_{rr}$ 30-49ns)

(T<sub>A</sub>=25°C unless otherwise noted)

● =AEC-Q qualified

Part Number	$t_{rr}$	$I_{F(AV)}$	$V_{RRM}$	$I_{FSM}$	$V_F$	$I_R$	$T_j$ Max.	Package Description
	(ns)	(A)	(V)	(A)	(V)	( $\mu$ A)	(°C)	
TPMR10D	35	10	200	150	0.95	5	175	TO-277A (SMPC)
TPMR10DH ●	35	10	200	150	0.95	5	175	TO-277A (SMPC)
SFAF1004G ●	35	10	200	150	0.975	10	150	ITO-220AC
SFF10L05G ●	35	10	300	80	1.3	10	150	ITO-220AB
SFF10L05GA ●	35	10	300	80	1.3	10	150	ITO-220AB
SFS1005G	35	10	300	125	1.3	1	150	TO-263AB (D <sup>2</sup> -PAK)
SFS1005GH ●	35	10	300	125	1.3	1	150	TO-263AB (D <sup>2</sup> -PAK)
SFF1005G ●	35	10	300	125	1.3	10	150	ITO-220AB
SFF1005GA ●	35	10	300	125	1.3	10	150	ITO-220AB
SF1005G ●	35	10	300	125	1.3	10	150	TO-220AB
SFA1005G ●	35	10	300	125	1.3	10	150	TO-220AC
SFAF1005G ●	35	10	300	150	1.3	10	150	ITO-220AC
SFF10L06G ●	35	10	400	80	1.3	10	150	ITO-220AB
SFF10L06GA ●	35	10	400	80	1.3	10	150	ITO-220AB
SFS1006G	35	10	400	125	1.3	1	150	TO-263AB (D <sup>2</sup> -PAK)
SFS1006GH ●	35	10	400	125	1.3	1	150	TO-263AB (D <sup>2</sup> -PAK)
SFF1006G ●	35	10	400	125	1.3	10	150	ITO-220AB
SFF1006GA ●	35	10	400	125	1.3	10	150	ITO-220AB
SF1006G ●	35	10	400	125	1.3	10	150	TO-220AB
SFA1006G ●	35	10	400	125	1.3	10	150	TO-220AC
TPMR10G	35	10	400	150	1.2	10	175	TO-277A (SMPC)
TPMR10GH ●	35	10	400	150	1.2	10	175	TO-277A (SMPC)
SFAF1006G ●	35	10	400	150	1.3	10	150	ITO-220AC
SFS1007G	35	10	500	125	1.7	1	150	TO-263AB (D <sup>2</sup> -PAK)
SFS1007GH ●	35	10	500	125	1.7	1	150	TO-263AB (D <sup>2</sup> -PAK)
SFF1007G ●	35	10	500	125	1.7	10	150	ITO-220AB
SFF1007GA ●	35	10	500	125	1.7	10	150	ITO-220AB
SF1007G ●	35	10	500	125	1.7	10	150	TO-220AB

Part Number	$t_{rr}$	$I_{F(AV)}$	$V_{RRM}$	$I_{FSM}$	$V_F$	$I_R$	$T_j$ Max.	Package Description
	(ns)	(A)	(V)	(A)	(V)	( $\mu$ A)	(°C)	
SFA1007G ●	35	10	500	125	1.7	10	150	TO-220AC
SFAF1007G ●	35	10	500	150	1.7	10	150	ITO-220AC
SFF10L08G ●	35	10	600	80	1.7	10	150	ITO-220AB
SFF10L08GA ●	35	10	600	80	1.7	10	150	ITO-220AB
SFS1008G	35	10	600	125	1.7	1	150	TO-263AB (D <sup>2</sup> -PAK)
SFS1008GH ●	35	10	600	125	1.7	1	150	TO-263AB (D <sup>2</sup> -PAK)
SFF1008G ●	35	10	600	125	1.7	10	150	ITO-220AB
SFF1008GA ●	35	10	600	125	1.7	10	150	ITO-220AB
SF1008G ●	35	10	600	125	1.7	10	150	TO-220AB
SFA1008G ●	35	10	600	125	1.7	10	150	TO-220AC
SFAS1008G	35	10	600	125	1.7	10	150	TO-263AB (D <sup>2</sup> -PAK)
SFAS1008GH ●	35	10	600	125	1.7	10	150	TO-263AB (D <sup>2</sup> -PAK)
SFAF1008G ●	35	10	600	150	1.7	10	150	ITO-220AC
SFF1601G ●	35	16	50	125	0.975	10	150	ITO-220AB
SF1601G ●	35	16	50	125	0.975	10	150	TO-220AB
SFS1601G	35	16	50	125	0.975	10	150	TO-263AB (D <sup>2</sup> -PAK)
SFS1601GH ●	35	16	50	125	0.975	10	150	TO-263AB (D <sup>2</sup> -PAK)
SF1601PT ●	35	16	50	150	0.95	10	150	TO-247AD (TO-3P)
SFAF1601G ●	35	16	50	200	0.975	10	150	ITO-220AC
SFF1602G ●	35	16	100	125	0.975	10	150	ITO-220AB
SF1602G ●	35	16	100	125	0.975	10	150	TO-220AB
SFS1602G	35	16	100	125	0.975	10	150	TO-263AB (D <sup>2</sup> -PAK)
SFS1602GH ●	35	16	100	125	0.975	10	150	TO-263AB (D <sup>2</sup> -PAK)
SF1602PT ●	35	16	100	150	0.95	10	150	TO-247AD (TO-3P)
SFAF1602G ●	35	16	100	200	0.975	10	150	ITO-220AC
SFF1603G ●	35	16	150	125	0.975	10	150	ITO-220AB
SF1603G ●	35	16	150	125	0.975	10	150	TO-220AB
SFS1603G	35	16	150	125	0.975	10	150	TO-263AB (D <sup>2</sup> -PAK)

# SUPER FAST RECOVERY ( $t_{rr}$ 30-49ns)

(T<sub>A</sub>=25°C unless otherwise noted)

● =AEC-Q qualified

Part Number	$t_{rr}$	$I_{F(AV)}$	$V_{RRM}$	$I_{FSM}$	$V_F$	$I_R$	$T_j$ Max.	Package Description
	(ns)	(A)	(V)	(A)	(V)	( $\mu$ A)	(°C)	
SFS1603GH ●	35	16	150	125	0.975	10	150	TO-263AB (D <sup>2</sup> -PAK)
SF1603PT ●	35	16	150	150	0.95	10	150	TO-247AD (TO-3P)
SFAF1603G ●	35	16	150	200	0.975	10	150	ITO-220AC
SFF1604G ●	35	16	200	125	0.975	10	150	ITO-220AB
SF1604G ●	35	16	200	125	0.975	10	150	TO-220AB
SFS1604G	35	16	200	125	0.975	10	150	TO-263AB (D <sup>2</sup> -PAK)
SFS1604GH ●	35	16	200	125	0.975	10	150	TO-263AB (D <sup>2</sup> -PAK)
SF1604PT ●	35	16	200	150	0.95	10	150	TO-247AD (TO-3P)
SFAF1604G ●	35	16	200	200	0.975	10	150	ITO-220AC
SFF1605G ●	35	16	300	125	1.3	10	150	ITO-220AB
SF1605G ●	35	16	300	125	1.3	10	150	TO-220AB
SFS1605G	35	16	300	125	1.3	10	150	TO-263AB (D <sup>2</sup> -PAK)
SFS1605GH ●	35	16	300	125	1.3	10	150	TO-263AB (D <sup>2</sup> -PAK)
SF1605PT ●	35	16	300	150	1.3	10	150	TO-247AD (TO-3P)
SFAF1605G ●	35	16	300	200	1.3	10	150	ITO-220AC
SFF1606G ●	35	16	400	125	1.3	10	150	ITO-220AB
SF1606G ●	35	16	400	125	1.3	10	150	TO-220AB
SFS1606G	35	16	400	125	1.3	10	150	TO-263AB (D <sup>2</sup> -PAK)
SFS1606GH ●	35	16	400	125	1.3	10	150	TO-263AB (D <sup>2</sup> -PAK)
SF1606PT ●	35	16	400	150	1.3	10	150	TO-247AD (TO-3P)
SFAF1606G ●	35	16	400	200	1.3	10	150	ITO-220AC
SFF1607G ●	35	16	500	125	1.7	10	150	ITO-220AB
SF1607G ●	35	16	500	125	1.7	10	150	TO-220AB
SFS1607G	35	16	500	125	1.7	10	150	TO-263AB (D <sup>2</sup> -PAK)
SFS1607GH ●	35	16	500	125	1.7	10	150	TO-263AB (D <sup>2</sup> -PAK)
SF1607PT ●	35	16	500	150	1.7	10	150	TO-247AD (TO-3P)
SFAF1607G ●	35	16	500	200	1.7	10	150	ITO-220AC
SFF1608G ●	35	16	600	125	1.7	10	150	ITO-220AB

Part Number	$t_{rr}$	$I_{F(AV)}$	$V_{RRM}$	$I_{FSM}$	$V_F$	$I_R$	$T_j$ Max.	Package Description
	(ns)	(A)	(V)	(A)	(V)	( $\mu$ A)	(°C)	
SF1608G ●	35	16	600	125	1.7	10	150	TO-220AB
SFS1608G	35	16	600	125	1.7	10	150	TO-263AB (D <sup>2</sup> -PAK)
SFS1608GH ●	35	16	600	125	1.7	10	150	TO-263AB (D <sup>2</sup> -PAK)
SF1608PT ●	35	16	600	150	1.7	10	150	TO-247AD (TO-3P)
SFAF1608G ●	35	16	600	200	1.7	10	150	ITO-220AC
SF2001G ●	35	20	50	150	0.975	5	150	TO-220AB
SFF2001G ●	35	20	50	150	0.975	10	150	ITO-220AB
SFAF2001G	35	20	50	200	0.975	10	150	ITO-220AC
SFAF2001GH ●	35	20	50	200	0.975	10	150	ITO-220AC
SF2001PT ●	35	20	50	280	1.100	10	150	TO-247AD (TO-3P)
SF2002G ●	35	20	100	150	0.975	5	150	TO-220AB
SFF2002G ●	35	20	100	150	0.975	10	150	ITO-220AB
SFAF2002G	35	20	100	200	0.975	10	150	ITO-220AC
SFAF2002GH ●	35	20	100	200	0.975	10	150	ITO-220AC
SF2002PT ●	35	20	100	280	1.100	10	150	TO-247AD (TO-3P)
SF2003G ●	35	20	150	150	0.975	5	150	TO-220AB
SFF2003G ●	35	20	150	150	0.975	10	150	ITO-220AB
SFAF2003G	35	20	150	200	0.975	10	150	ITO-220AC
SFAF2003GH ●	35	20	150	200	0.975	10	150	ITO-220AC
SF2003PT ●	35	20	150	280	1.1	10	150	TO-247AD (TO-3P)
SF2004G ●	35	20	200	150	0.975	5	150	TO-220AB
SFF2004G ●	35	20	200	150	0.975	10	150	ITO-220AB
SFF2004GA ●	35	20	200	150	0.975	10	150	ITO-220AB
SFAF2004G	35	20	200	200	0.975	10	150	ITO-220AC
SFAF2004GH ●	35	20	200	200	0.975	10	150	ITO-220AC
SF2004PT ●	35	20	200	280	1.1	10	150	TO-247AD (TO-3P)
SF2005G ●	35	20	300	150	1.3	5	150	TO-220AB
SFF2005G ●	35	20	300	150	1.3	10	150	ITO-220AB

# SUPER FAST RECOVERY ( $t_{rr}$ 30-49ns)

(T<sub>A</sub>=25°C unless otherwise noted)

● =AEC-Q qualified

Part Number	$t_{rr}$ (ns)	$I_{F(AV)}$ (A)	$V_{RRM}$ (V)	$I_{FSM}$ (A)	$V_F$ (V)	$I_R$ ( $\mu$ A)	T <sub>j</sub> Max. (°C)	Package Description
SFF2005GA ●	35	20	300	150	1.3	10	150	ITO-220AB
SFAF2005G	35	20	300	200	1.3	10	150	ITO-220AC
SFAF2005GH ●	35	20	300	200	1.3	10	150	ITO-220AC
SF2005PT ●	35	20	300	280	1.5	10	150	TO-247AD (TO-3P)
SF2006G ●	35	20	400	150	1.3	5	150	TO-220AB
SFF2006G ●	35	20	400	150	1.3	10	150	ITO-220AB
SFF2006GA ●	35	20	400	150	1.3	10	150	ITO-220AB
SFAF2006G	35	20	400	200	1.3	10	150	ITO-220AC
SFAF2006GH ●	35	20	400	200	1.3	10	150	ITO-220AC
SF2006PT ●	35	20	400	280	1.5	10	150	TO-247AD (TO-3P)
SF2007G ●	35	20	500	150	1.7	5	150	TO-220AB
SFF2007G ●	35	20	500	150	1.7	10	150	ITO-220AB
SFAF2007G	35	20	500	200	1.7	10	150	ITO-220AC
SFAF2007GH ●	35	20	500	200	1.7	10	150	ITO-220AC
SF2007PT ●	35	20	500	280	1.9	10	150	TO-247AD (TO-3P)
SF2008G ●	35	20	600	150	1.7	5	150	TO-220AB
SFF2008G ●	35	20	600	150	1.7	10	150	ITO-220AB
SFF2008GA ●	35	20	600	150	1.7	10	150	ITO-220AB
SFAF2008G ●	35	20	600	200	1.7	10	150	ITO-220AC
SF2008PT ●	35	20	600	280	1.9	10	150	TO-247AD (TO-3P)
SF3001PT ●	35	30	50	300	0.95	10	150	TO-247AD (TO-3P)
SF3002PT ●	35	30	100	300	0.95	10	150	TO-247AD (TO-3P)
SF3003PT ●	35	30	150	300	0.95	10	150	TO-247AD (TO-3P)
SF3004PT ●	35	30	200	300	0.95	10	150	TO-247AD (TO-3P)
SF3005PT ●	35	30	300	300	1.3	10	150	TO-247AD (TO-3P)
SF3006PT ●	35	30	400	300	1.3	10	150	TO-247AD (TO-3P)
SF3008PT ●	35	30	600	300	1.7	10	150	TO-247AD (TO-3P)
TPMR6J	40	6	600	100	1.8	10	175	TO-277A (SMPC)

Part Number	$t_{rr}$ (ns)	$I_{F(AV)}$ (A)	$V_{RRM}$ (V)	$I_{FSM}$ (A)	$V_F$ (V)	$I_R$ ( $\mu$ A)	T <sub>j</sub> Max. (°C)	Package Description
TPMR6JH ●	40	6	600	100	1.8	10	175	TO-277A (SMPC)
TPMR10J	40	10	600	150	1.8	10	175	TO-277A (SMPC)
TPMR10JH ●	40	10	600	150	1.8	10	175	TO-277A (SMPC)

# ULTRA FAST RECOVERY ( $t_{rr}$ 15-29ns)

(T<sub>A</sub>=25°C unless otherwise noted)

● =AEC-Q qualified

Part Number	$t_{rr}$ (ns)	$I_{F(AV)}$ (A)	$V_{RRM}$ (V)	$I_{FSM}$ (A)	$V_F$ (V)	$I_R$ ( $\mu$ A)	$T_j$ Max. (°C)	Package Description
UG06A ●	15	0.6	50	40	0.95	5	150	TS-1
UG06B ●	15	0.6	100	40	0.95	5	150	TS-1
UG06C ●	15	0.6	150	40	0.95	5	150	TS-1
UG06D ●	15	0.6	200	40	0.95	5	150	TS-1
ESH1B	15	1	100	30	0.9	1	175	DO-214AC (SMA)
ESH1BH ●	15	1	100	30	0.9	1	175	DO-214AC (SMA)
PE1BAH ●	15	1	100	30	0.92	2	175	DO-214AC (SMA)
PE1BA	15	1	100	30	0.92	2	175	DO-214AC (SMA)
ESH1C	15	1	150	30	0.9	1	175	DO-214AC (SMA)
ESH1CH ●	15	1	150	30	0.9	1	175	DO-214AC (SMA)
ESH1D	15	1	200	30	0.9	1	175	DO-214AC (SMA)
ESH1DH ●	15	1	200	30	0.9	1	175	DO-214AC (SMA)
PE1DAH ●	15	1	200	30	0.92	2	175	DO-214AC (SMA)
PE1DA	15	1	200	30	0.92	2	175	DO-214AC (SMA)
ES1DV	15	1	200	30	0.92	5	150	DO-214AC (SMA)
ES1DVH ●	15	1	200	30	0.92	5	150	DO-214AC (SMA)
UG2D ●	15	2	200	80	0.95	5	150	DO-204AC (DO-15)
UF1DLW	20	1	200	30	0.95	1	150	SOD-123W
UF1DLWH ●	20	1	200	30	0.95	1	150	SOD-123W
UF1GLW	20	1	400	30	1.25	1	150	SOD-123W
UF1GLWH ●	20	1	400	30	1.25	1	150	SOD-123W
PE2BBH ●	20	2	100	50	0.9	2	175	DO-214AA (SMB)
PE2BB	20	2	100	50	0.9	2	175	DO-214AA (SMB)
ESH2B	20	2	100	60	0.9	2	175	DO-214AA (SMB)
ESH2BH ●	20	2	100	60	0.9	2	175	DO-214AA (SMB)
ESH2C	20	2	150	60	0.9	2	175	DO-214AA (SMB)
ESH2CH ●	20	2	150	60	0.9	2	175	DO-214AA (SMB)
PE2DBH ●	20	2	200	50	0.9	2	175	DO-214AA (SMB)

Part Number	$t_{rr}$ (ns)	$I_{F(AV)}$ (A)	$V_{RRM}$ (V)	$I_{FSM}$ (A)	$V_F$ (V)	$I_R$ ( $\mu$ A)	$T_j$ Max. (°C)	Package Description
PE2DB	20	2	200	50	0.9	2	175	DO-214AA (SMB)
ES2DV	20	2	200	50	0.9	10	150	DO-214AA (SMB)
ES2DVH ●	20	2	200	50	0.9	10	150	DO-214AA (SMB)
ESH2D	20	2	200	60	0.9	2	175	DO-214AA (SMB)
ESH2DH ●	20	2	200	60	0.9	2	175	DO-214AA (SMB)
ESH3B	20	3	100	125	0.9	5	175	DO-214AB (SMC)
ESH3BH ●	20	3	100	125	0.9	5	175	DO-214AB (SMC)
ESH3C	20	3	150	125	0.9	5	175	DO-214AB (SMC)
ESH3CH ●	20	3	150	125	0.9	5	175	DO-214AB (SMC)
ES3DV	20	3	200	100	0.9	10	150	DO-214AB (SMC)
ES3DVH ●	20	3	200	100	0.9	10	150	DO-214AB (SMC)
ESH3D	20	3	200	125	0.9	5	175	DO-214AB (SMC)
ESH3DH ●	20	3	200	125	0.9	5	175	DO-214AB (SMC)
PE4BCH ●	20	4	100	130	0.93	2	175	DO-214AB (SMC)
PE4BC	20	4	100	130	0.93	2	175	DO-214AB (SMC)
PE4DCH ●	20	4	200	130	0.93	2	175	DO-214AB (SMC)
PE4DC	20	4	200	130	0.93	2	175	DO-214AB (SMC)
UG4D	20	4	200	150	0.95	5	150	DO-201AD
UG54G ●	20	5	200	65	1.05	10	175	DO-201AD
UG54GS ●	20	5	200	65	1.1	10	175	DO-204AC (DO-15)
UG56G ●	20	5	400	65	1.55	10	175	DO-201AD
UG55J	20	5	600	65	2	20	150	TO-263AB (D <sup>2</sup> -PAK)
UG55JH ●	20	5	600	65	2	20	150	TO-263AB (D <sup>2</sup> -PAK)
UG58G ●	20	5	600	65	2.1	30	150	DO-201AD
UG5J ●	20	5	600	65	3	30	150	TO-220AC
UGF1004G ●	20	10	200	70	0.95	10	175	ITO-220AB
UGF1004GA ●	20	10	200	70	0.95	10	175	ITO-220AB
UGF1005G ●	20	10	300	70	1.25	10	175	ITO-220AB

# ULTRA FAST RECOVERY ( $t_{rr}$ 15-29ns)

(T<sub>A</sub>=25°C unless otherwise noted)

● =AEC-Q qualified

Part Number	$t_{rr}$ (ns)	$I_{F(AV)}$ (A)	$V_{RRM}$ (V)	$I_{FSM}$ (A)	$V_F$ (V)	$I_R$ ( $\mu$ A)	$T_j$ Max. (°C)	Package Description
UGF1005GA ●	20	10	300	70	1.25	10	175	ITO-220AB
UGF1006G ●	20	10	400	70	1.25	10	175	ITO-220AB
UGF1006GA ●	20	10	400	70	1.25	10	175	ITO-220AB
UGF12J ●	20	12	600	135	2	5	150	ITO-220AC
UG12J ●	20	12	600	135	2	5	150	TO-220AC
UGF2004G ●	20	20	200	150	0.95	5	175	ITO-220AB
UGF2005G ●	20	20	300	150	1.25	5	175	ITO-220AB
UGF2006G ●	20	20	400	150	1.25	5	175	ITO-220AB
UG1004G ●	22	10	200	60	0.95	10	175	TO-220AB
UG1005G ●	22	10	300	60	1.25	10	175	TO-220AB
UG1006G ●	22	10	400	60	1.25	10	175	TO-220AB
MUR105S	25	1	50	40	0.875	2	175	DO-214AA (SMB)
MUR105SH ●	25	1	50	40	0.875	2	175	DO-214AA (SMB)
PU1BMH ●	25	1	100	28	1.05	1	175	Micro SMA
PU1BM	25	1	100	28	1.05	1	175	Micro SMA
MUR110S	25	1	100	40	0.875	2	175	DO-214AA (SMB)
MUR110SH ●	25	1	100	40	0.875	2	175	DO-214AA (SMB)
PU1BAH ●	25	1	100	45	0.93	2	175	DO-214AC (SMA)
PU1BA	25	1	100	45	0.93	2	175	DO-214AC (SMA)
PU1BLSH ●	25	1	100	45	0.93	2	175	SOD-123HE
PU1BLS	25	1	100	45	0.93	2	175	SOD-123HE
PU1BLWH ●	25	1	100	45	0.93	2	175	SOD-123W
PU1BLW	25	1	100	45	0.93	2	175	SOD-123W
PU1BFSH ●	25	1	100	45	0.93	2	175	SOD-128
PU1BFS	25	1	100	45	0.93	2	175	SOD-128
ESH2BA	25	1	100	50	0.9	1	175	DO-214AC (SMA)
ESH2BAH ●	25	1	100	50	0.9	1	175	DO-214AC (SMA)
MUR115S	25	1	150	40	0.875	2	175	DO-214AA (SMB)

Part Number	$t_{rr}$ (ns)	$I_{F(AV)}$ (A)	$V_{RRM}$ (V)	$I_{FSM}$ (A)	$V_F$ (V)	$I_R$ ( $\mu$ A)	$T_j$ Max. (°C)	Package Description
MUR115SH ●	25	1	150	40	0.875	2	175	DO-214AA (SMB)
ESH2CA	25	1	150	50	0.9	1	175	DO-214AC (SMA)
ESH2CAH ●	25	1	150	50	0.9	1	175	DO-214AC (SMA)
ESH1DM	25	1	200	15	1.5	1	150	Micro SMA
ESH1DMH ●	25	1	200	15	1.5	1	150	Micro SMA
PU1DMH ●	25	1	200	28	1.05	1	175	Micro SMA
PU1DM	25	1	200	28	1.05	1	175	Micro SMA
MUR120S	25	1	200	40	0.875	2	175	DO-214AA (SMB)
MUR120SH ●	25	1	200	40	0.875	2	175	DO-214AA (SMB)
PU1DAH ●	25	1	200	45	0.93	2	175	DO-214AC (SMA)
PU1DA	25	1	200	45	0.93	2	175	DO-214AC (SMA)
PU1DLSH ●	25	1	200	45	0.93	2	175	SOD-123HE
PU1DLS	25	1	200	45	0.93	2	175	SOD-123HE
PU1DLWH ●	25	1	200	45	0.93	2	175	SOD-123W
PU1DLW	25	1	200	45	0.93	2	175	SOD-123W
PU1DFSH ●	25	1	200	45	0.93	2	175	SOD-128
PU1DFS	25	1	200	45	0.93	2	175	SOD-128
ESH2DA	25	1	200	50	0.9	1	175	DO-214AC (SMA)
ESH2DAH ●	25	1	200	50	0.9	1	175	DO-214AC (SMA)
ESH1DFSH ●	25	1	200	60	0.94	5	175	SOD-128
PU1JA	25	1	600	20	1.5	1	150	DO-214AC (SMA)
PU1JLS	25	1	600	20	1.5	1	150	SOD-123HE
PU1JLW	25	1	600	20	1.5	1	150	SOD-123W
PU1JFS	25	1	600	20	1.5	1	150	SOD-128
UF1JLW	25	1	600	30	1.5	1	150	SOD-123W
UF1JLWH ●	25	1	600	30	1.5	1	150	SOD-123W
PU2BMH ●	25	2	100	28	1.05	1	175	Micro SMA
PU2BM	25	2	100	28	1.05	1	175	Micro SMA

# ULTRA FAST RECOVERY ( $t_{rr}$ 15-29ns)

(T<sub>A</sub>=25°C unless otherwise noted)

● =AEC-Q qualified

Part Number	$t_{rr}$ (ns)	$I_{F(AV)}$ (A)	$V_{RRM}$ (V)	$I_{FSM}$ (A)	$V_F$ (V)	$I_R$ ( $\mu$ A)	$T_j$ Max. (°C)	Package Description
PU2BBH ●	25	2	100	50	0.93	2	175	DO-214AA (SMB)
PU2BB	25	2	100	50	0.93	2	175	DO-214AA (SMB)
PU2BAH ●	25	2	100	50	0.93	2	175	DO-214AC (SMA)
PU2BA	25	2	100	50	0.93	2	175	DO-214AC (SMA)
PU2BLSH ●	25	2	100	50	0.93	2	175	SOD-123HE
PU2BLWH ●	25	2	100	50	0.93	2	175	SOD-123W
PU2BLW	25	2	100	50	0.93	2	175	SOD-123W
PU2BFSH ●	25	2	100	50	0.93	2	175	SOD-128
PU2BFS	25	2	100	50	0.93	2	175	SOD-128
PU2DMH ●	25	2	200	28	1.05	1	175	Micro SMA
PU2DM	25	2	200	28	1.05	1	175	Micro SMA
PU2DBH ●	25	2	200	50	0.93	2	175	DO-214AA (SMB)
PU2DB	25	2	200	50	0.93	2	175	DO-214AA (SMB)
PU2DAH ●	25	2	200	50	0.93	2	175	DO-214AC (SMA)
PU2DA	25	2	200	50	0.93	2	175	DO-214AC (SMA)
PU2DLSH ●	25	2	200	50	0.93	2	175	SOD-123HE
PU2BLS	25	2	200	50	0.93	2	175	SOD-123HE
PU2DLS	25	2	200	50	0.93	2	175	SOD-123HE
PU2DLWH ●	25	2	200	50	0.93	2	175	SOD-123W
PU2DLW	25	2	200	50	0.93	2	175	SOD-123W
PU2DFSH ●	25	2	200	50	0.93	2	175	SOD-128
PU2DFS	25	2	200	50	0.93	2	175	SOD-128
ESH2DFSH ●	25	2	200	80	0.96	5	175	SOD-128
PU2JB	25	2	600	35	1.5	2	150	DO-214AA (SMB)
PU2JA	25	2	600	35	1.5	2	150	DO-214AC (SMA)
PU2JLS	25	2	600	35	1.5	2	150	SOD-123HE
PU2JLW	25	2	600	35	1.5	2	150	SOD-123W
PU2JFS	25	2	600	35	1.5	2	150	SOD-128

Part Number	$t_{rr}$ (ns)	$I_{F(AV)}$ (A)	$V_{RRM}$ (V)	$I_{FSM}$ (A)	$V_F$ (V)	$I_R$ ( $\mu$ A)	$T_j$ Max. (°C)	Package Description
MUR305S	25	3	50	75	0.875	5	175	DO-214AB (SMC)
MUR305SH ●	25	3	50	75	0.875	5	175	DO-214AB (SMC)
MUR305SB	25	3	50	75	0.9	5	175	DO-214AA (SMB)
MUR305SBH ●	25	3	50	75	0.9	5	175	DO-214AA (SMB)
MUR310S	25	3	100	75	0.875	5	175	DO-214AB (SMC)
MUR310SH ●	25	3	100	75	0.875	5	175	DO-214AB (SMC)
MUR310SB	25	3	100	75	0.9	5	175	DO-214AA (SMB)
MUR310SBH ●	25	3	100	75	0.9	5	175	DO-214AA (SMB)
PU3BBH ●	25	3	100	85	0.93	2	175	DO-214AA (SMB)
PU3BB	25	3	100	85	0.93	2	175	DO-214AA (SMB)
PU3BCH ●	25	3	100	85	0.93	2	175	DO-214AB (SMC)
PU3BC	25	3	100	85	0.93	2	175	DO-214AB (SMC)
PU3BAH ●	25	3	100	85	0.93	2	175	DO-214AC (SMA)
PU3BA	25	3	100	85	0.93	2	175	DO-214AC (SMA)
PU3BFSH ●	25	3	100	85	0.93	2	175	SOD-128
PU3BFS	25	3	100	85	0.93	2	175	SOD-128
PUUP3BH ●	25	3	100	85	0.93	2	175	TO-277A (SMPC4.6U)
PUUP3B	25	3	100	85	0.93	2	175	TO-277A (SMPC4.6U)
MUR315S	25	3	150	75	0.875	5	175	DO-214AB (SMC)
MUR315SH ●	25	3	150	75	0.875	5	175	DO-214AB (SMC)
MUR315SB	25	3	150	75	0.9	5	175	DO-214AA (SMB)
MUR315SBH ●	25	3	150	75	0.9	5	175	DO-214AA (SMB)
MUR320S	25	3	200	75	0.875	5	175	DO-214AB (SMC)
MUR320SH ●	25	3	200	75	0.875	5	175	DO-214AB (SMC)
MUR320SB	25	3	200	75	0.9	5	175	DO-214AA (SMB)
MUR320SBH ●	25	3	200	75	0.9	5	175	DO-214AA (SMB)
PU3DBH ●	25	3	200	85	0.93	2	175	DO-214AA (SMB)
PU3DB	25	3	200	85	0.93	2	175	DO-214AA (SMB)

# ULTRA FAST RECOVERY ( $t_{rr}$ 15-29ns)

(T<sub>A</sub>=25°C unless otherwise noted)

● =AEC-Q qualified

Part Number	$t_{rr}$ (ns)	$I_{F(AV)}$ (A)	$V_{RRM}$ (V)	$I_{FSM}$ (A)	$V_F$ (V)	$I_R$ ( $\mu$ A)	$T_j$ Max. (°C)	Package Description
PU3DCH ●	25	3	200	85	0.93	2	175	DO-214AB (SMC)
PU3DC	25	3	200	85	0.93	2	175	DO-214AB (SMC)
PU3DAH ●	25	3	200	85	0.93	2	175	DO-214AC (SMA)
PU3DA	25	3	200	85	0.93	2	175	DO-214AC (SMA)
PU3DFSH ●	25	3	200	85	0.93	2	175	SOD-128
PU3DFS	25	3	200	85	0.93	2	175	SOD-128
PUUP3DH ●	25	3	200	85	0.93	2	175	TO-277A (SMPC4.6U)
PUUP3D	25	3	200	85	0.93	2	175	TO-277A (SMPC4.6U)
ESH3DFSH ●	25	3	200	132	0.95	5	175	SOD-128
UG305P	25	3	300	50	1.1	10	150	TO-277A (SMPC)
PU3JB	25	3	600	45	1.7	2	150	DO-214AA (SMB)
PU3JC	25	3	600	45	1.7	2	150	DO-214AB (SMC)
PU3JFS	25	3	600	45	1.7	2	150	SOD-128
PU3JA	25	3	600	45	3	2	150	DO-214AC (SMA)
PUUP3J	25	3	600	55	1.7	2	150	TO-277A (SMPC4.6U)
PUAD4B	25	4	100	130	0.92	2	175	ThinDPAK
PUAD4BH ●	25	4	100	130	0.92	2	175	ThinDPAK
PU4BBH ●	25	4	100	130	0.93	2	175	DO-214AA (SMB)
PU4BB	25	4	100	130	0.93	2	175	DO-214AA (SMB)
PU4BCH ●	25	4	100	130	0.93	2	175	DO-214AB (SMC)
PU4BC	25	4	100	130	0.93	2	175	DO-214AB (SMC)
PUUP4BH ●	25	4	100	130	0.93	2	175	TO-277A (SMPC4.6U)
PUUP4B	25	4	100	130	0.93	2	175	TO-277A (SMPC4.6U)
MUR420S	25	4	200	75	0.875	5	175	DO-214AB (SMC)
MUR420SH ●	25	4	200	75	0.875	5	175	DO-214AB (SMC)
MUR420 ●	25	4	200	125	0.89	5	175	DO-201AD
MUR4L20 ●	25	4	200	125	0.89	5	175	DO-201AD
PUAD4D	25	4	200	130	0.92	2	175	ThinDPAK

Part Number	$t_{rr}$ (ns)	$I_{F(AV)}$ (A)	$V_{RRM}$ (V)	$I_{FSM}$ (A)	$V_F$ (V)	$I_R$ ( $\mu$ A)	$T_j$ Max. (°C)	Package Description
PUAD4DH ●	25	4	200	130	0.92	2	175	ThinDPAK
PU4DB	25	4	200	130	0.93	2	175	DO-214AA (SMB)
PU4DCH ●	25	4	200	130	0.93	2	175	DO-214AB (SMC)
PU4DC	25	4	200	130	0.93	2	175	DO-214AB (SMC)
PUUP4DH ●	25	4	200	130	0.93	2	175	TO-277A (SMPC4.6U)
PUUP4D	25	4	200	130	0.93	2	175	TO-277A (SMPC4.6U)
PU4DBH ●	25	4	200	130	130	2	175	DO-214AA (SMB)
UGF5J ●	25	5	600	65	3	30	150	ITO-220AC
PUAD6BC	25	6	100	85	0.95	2	175	ThinDPAK
PUAD6BCH ●	25	6	100	85	0.95	2	175	ThinDPAK
PU6BBH ●	25	6	100	160	0.94	2	175	DO-214AA (SMB)
PU6BB	25	6	100	160	0.94	2	175	DO-214AA (SMB)
PU6BCH ●	25	6	100	160	0.94	2	175	DO-214AB (SMC)
PU6BC	25	6	100	160	0.94	2	175	DO-214AB (SMC)
PUUP6BH ●	25	6	100	200	0.94	2	175	TO-277A (SMPC4.6U)
PUUP6B	25	6	100	200	0.94	2	175	TO-277A (SMPC4.6U)
TPUH6D	25	6	200	80	1.05	10	175	TO-277A (SMPC)
TPUH6DH ●	25	6	200	80	1.05	10	175	TO-277A (SMPC)
PUAD6DC	25	6	200	85	0.95	2	175	ThinDPAK
PUAD6DCH ●	25	6	200	85	0.95	2	175	ThinDPAK
PU6DBH ●	25	6	200	160	0.94	2	175	DO-214AA (SMB)
PU6DB	25	6	200	160	0.94	2	175	DO-214AA (SMB)
PU6DCH ●	25	6	200	160	0.94	2	175	DO-214AB (SMC)
PU6DC	25	6	200	160	0.94	2	175	DO-214AB (SMC)
PUUP6DH ●	25	6	200	200	0.94	2	175	TO-277A (SMPC4.6U)
PUUP6D	25	6	200	200	0.94	2	175	TO-277A (SMPC4.6U)
PU6JB	25	6	600	75	1.7	2	150	DO-214AA (SMB)
PU6JC	25	6	600	75	1.7	2	150	DO-214AB (SMC)



# ULTRA FAST RECOVERY ( $t_{rr}$ 15-29ns)

(T<sub>A</sub>=25°C unless otherwise noted)

● =AEC-Q qualified

Part Number	$t_{rr}$ (ns)	$I_{F(AV)}$ (A)	$V_{RRM}$ (V)	$I_{FSM}$ (A)	$V_F$ (V)	$I_R$ ( $\mu$ A)	$T_j$ Max. (°C)	Package Description
TPUH6J	25	6	600	80	3	10	175	TO-277A (SMPC)
TPUH6JH ●	25	6	600	80	3	10	175	TO-277A (SMPC)
PUUP6J	25	6	600	85	1.8	2	150	TO-277A (SMPC4.6U)
PUAD8BC	25	8	100	130	0.92	2	175	ThinDPAK
PUAD8BCH ●	25	8	100	130	0.92	2	175	ThinDPAK
PUAD8B	25	8	100	150	1	2	175	ThinDPAK
PUAD8BH ●	25	8	100	150	1	2	175	ThinDPAK
PUUP8BH ●	25	8	100	200	1.05	2	175	TO-277A (SMPC4.6U)
PUUP8B	25	8	100	200	1.05	2	175	TO-277A (SMPC4.6U)
MUR820 ●	25	8	200	100	0.975	5	175	TO-220AC
PUAD8DC	25	8	200	130	0.92	2	175	ThinDPAK
PUAD8DCH ●	25	8	200	130	0.92	2	175	ThinDPAK
PUAD8D	25	8	200	150	1	2	175	ThinDPAK
PUAD8DH ●	25	8	200	150	1	2	175	ThinDPAK
PUUP8DH ●	25	8	200	200	1.05	2	175	TO-277A (SMPC4.6U)
PUUP8D	25	8	200	200	1.05	2	175	TO-277A (SMPC4.6U)
UGF8J ●	25	8	600	65	2.9	30	150	ITO-220AC
UG8J ●	25	8	600	65	2.9	30	150	TO-220AC
PU8JC	25	8	600	100	2	5	150	DO-214AB (SMC)
PUUP8J	25	8	600	100	2	5	150	TO-277A (SMPC4.6U)
MURF880G	25	8	800	100	2.3	1	175	ITO-220AC
PUAD10BC	25	10	100	130	0.95	2	175	ThinDPAK
PUAD10BCH ●	25	10	100	130	0.95	2	175	ThinDPAK
PUAD10DC	25	10	200	130	0.95	2	175	ThinDPAK
PUAD10DCH ●	25	10	200	130	0.95	2	175	ThinDPAK
UGF10G ●	25	10	400	90	1.25	5	175	ITO-220AC
UG10G ●	25	10	400	90	1.25	10	175	TO-220AC
UGF1007G ●	25	10	500	70	1.7	10	150	ITO-220AB

Part Number	$t_{rr}$ (ns)	$I_{F(AV)}$ (A)	$V_{RRM}$ (V)	$I_{FSM}$ (A)	$V_F$ (V)	$I_R$ ( $\mu$ A)	$T_j$ Max. (°C)	Package Description
UGF1007GA ●	25	10	500	70	1.7	10	150	ITO-220AB
UGF1008G ●	25	10	600	70	1.7	10	150	ITO-220AB
UGF1008GA ●	25	10	600	70	1.7	10	150	ITO-220AB
UGF10J ●	25	10	600	90	2	5	150	ITO-220AC
UG10J ●	25	10	600	90	2	30	150	TO-220AC
PUUP10J	25	10	600	115	2	5	150	TO-277A (SMPC4.6U)
UGF12JD ●	25	12	600	100	3.1	0.5	175	ITO-220AC
PUUP12J	25	12	600	160	2.1	5	150	TO-277A (SMPC4.6U)
MURF1620CT ●	25	16	200	100	0.975	5	150	ITO-220AB
MUR1620CT ●	25	16	200	100	0.975	5	175	TO-220AB
UGF1606G ●	25	16	400	90	1.25	10	175	ITO-220AB
UG2004PT ●	25	20	200	200	0.93	200	175	TO-247AD (TO-3P)
UGF2007G ●	25	20	500	150	1.7	5	150	ITO-220AB
UGF2008G ●	25	20	600	150	1.7	5	150	ITO-220AB
UG6005PT ●	25	60	300	300	1.25	5	175	TO-247AD (TO-3P)
UGF8JD ●	30	8	600	100	2.3	0.5	150	ITO-220AC
UG1007G ●	30	10	500	60	1.7	10	150	TO-220AB
UG1008G ●	30	10	600	60	1.7	10	150	TO-220AB

## TVS

(T<sub>A</sub>=25°C unless otherwise noted)

● =AEC-Q qualified

Part Number	Configuration	P <sub>PK</sub> (W)	Breakdown Voltage		VWM(V)	I <sub>R</sub> (μA)	T <sub>j</sub> Max. (°C)	Package Description
			V <sub>BR</sub> Min.(V)	V <sub>BR</sub> Max.(V)				
SMAJ64C	Bidirectional	300	71.1	86.9	64	1	150	DO-214AC (SMA)
SMAJ64CH ●	Bidirectional	300	71.1	86.9	64	1	150	DO-214AC (SMA)
SMAJ70CA	Bidirectional	300	77.8	86	70	1	150	DO-214AC (SMA)
SMAJ70CAH ●	Bidirectional	300	77.8	86	70	1	150	DO-214AC (SMA)
SMAJ70C	Bidirectional	300	77.8	95.1	70	1	150	DO-214AC (SMA)
SMAJ70CH ●	Bidirectional	300	77.8	95.1	70	1	150	DO-214AC (SMA)
SMAJ75CA	Bidirectional	300	83.3	92.1	75	1	150	DO-214AC (SMA)
SMAJ75CAH ●	Bidirectional	300	83.3	92.1	75	1	150	DO-214AC (SMA)
SMAJ75C	Bidirectional	300	83.3	102	75	1	150	DO-214AC (SMA)
SMAJ75CH ●	Bidirectional	300	83.3	102	75	1	150	DO-214AC (SMA)
SMAJ78CA	Bidirectional	300	86.7	95.8	78	1	150	DO-214AC (SMA)
SMAJ78CAH ●	Bidirectional	300	86.7	95.8	78	1	150	DO-214AC (SMA)
SMAJ78C	Bidirectional	300	86.7	106	78	1	150	DO-214AC (SMA)
SMAJ78CH ●	Bidirectional	300	86.7	106	78	1	150	DO-214AC (SMA)
SMAJ85CA	Bidirectional	300	94.4	104	85	1	150	DO-214AC (SMA)
SMAJ85CAH ●	Bidirectional	300	94.4	104	85	1	150	DO-214AC (SMA)
SMAJ85C	Bidirectional	300	94.4	115	85	1	150	DO-214AC (SMA)
SMAJ85CH ●	Bidirectional	300	94.4	115	85	1	150	DO-214AC (SMA)
SMAJ90CA	Bidirectional	300	100	111	90	1	150	DO-214AC (SMA)
SMAJ90CAH ●	Bidirectional	300	100	111	90	1	150	DO-214AC (SMA)
SMAJ90C	Bidirectional	300	100	122	90	1	150	DO-214AC (SMA)
SMAJ90CH ●	Bidirectional	300	100	122	90	1	150	DO-214AC (SMA)
SMAJ100CA	Bidirectional	300	111	123	100	1	150	DO-214AC (SMA)
SMAJ100CAH ●	Bidirectional	300	111	123	100	1	150	DO-214AC (SMA)
SMAJ100C	Bidirectional	300	111	136	100	1	150	DO-214AC (SMA)
SMAJ100CH ●	Bidirectional	300	111	136	100	1	150	DO-214AC (SMA)
SMAJ110CA	Bidirectional	300	122	135	110	1	150	DO-214AC (SMA)

Part Number	Configuration	P <sub>PK</sub> (W)	Breakdown Voltage		VWM(V)	I <sub>R</sub> (μA)	T <sub>j</sub> Max. (°C)	Package Description
			V <sub>BR</sub> Min.(V)	V <sub>BR</sub> Max.(V)				
SMAJ110CAH ●	Bidirectional	300	122	135	110	1	150	DO-214AC (SMA)
SMAJ110C	Bidirectional	300	122	149	110	1	150	DO-214AC (SMA)
SMAJ110CH ●	Bidirectional	300	122	149	110	1	150	DO-214AC (SMA)
SMAJ120CA	Bidirectional	300	133	147	120	1	150	DO-214AC (SMA)
SMAJ120CAH ●	Bidirectional	300	133	147	120	1	150	DO-214AC (SMA)
SMAJ120C	Bidirectional	300	133	163	120	1	150	DO-214AC (SMA)
SMAJ120CH ●	Bidirectional	300	133	163	120	1	150	DO-214AC (SMA)
SMAJ130CA	Bidirectional	300	144	159	130	1	150	DO-214AC (SMA)
SMAJ130CAH ●	Bidirectional	300	144	159	130	1	150	DO-214AC (SMA)
SMAJ130C	Bidirectional	300	144	176	130	1	150	DO-214AC (SMA)
SMAJ130CH ●	Bidirectional	300	144	176	130	1	150	DO-214AC (SMA)
SMAJ150CA	Bidirectional	300	167	185	150	1	150	DO-214AC (SMA)
SMAJ150CAH ●	Bidirectional	300	167	185	150	1	150	DO-214AC (SMA)
SMAJ150C	Bidirectional	300	167	204	150	1	150	DO-214AC (SMA)
SMAJ150CH ●	Bidirectional	300	167	204	150	1	150	DO-214AC (SMA)
SMAJ160CA	Bidirectional	300	178	197	160	1	150	DO-214AC (SMA)
SMAJ160CAH ●	Bidirectional	300	178	197	160	1	150	DO-214AC (SMA)
SMAJ160C	Bidirectional	300	178	218	160	1	150	DO-214AC (SMA)
SMAJ160CH ●	Bidirectional	300	178	218	160	1	150	DO-214AC (SMA)
SMAJ170CA	Bidirectional	300	189	209	170	1	150	DO-214AC (SMA)
SMAJ170CAH ●	Bidirectional	300	189	209	170	1	150	DO-214AC (SMA)
SMAJ170C	Bidirectional	300	189	231	170	1	150	DO-214AC (SMA)
SMAJ170CH ●	Bidirectional	300	189	231	170	1	150	DO-214AC (SMA)
SMAJ188CA	Bidirectional	300	209	231	188	1	150	DO-214AC (SMA)
SMAJ188CAH ●	Bidirectional	300	209	231	188	1	150	DO-214AC (SMA)
SMAJ188C	Bidirectional	300	209	255	188	1	150	DO-214AC (SMA)
SMAJ188CH ●	Bidirectional	300	209	255	188	1	150	DO-214AC (SMA)

## TVS

(T<sub>A</sub>=25°C unless otherwise noted)

● =AEC-Q qualified

Part Number	Configuration	P <sub>PK</sub> (W)	Breakdown Voltage		VWM(V)	I <sub>R</sub> (μA)	T <sub>J</sub> Max. (°C)	Package Description
			V <sub>BR</sub> Min.(V)	V <sub>BR</sub> Max.(V)				
P4SMA6.8C	Bidirectional	400	6.12	7.48	5.5	1,000	150	DO-214AC (SMA)
P4SMA6.8CH ●	Bidirectional	400	6.12	7.48	5.5	1,000	150	DO-214AC (SMA)
P4KE6.8C ●	Bidirectional	400	6.12	7.48	5.5	1,000	175	DO-204AL (DO-41)
SMAJ5.0CA	Bidirectional	400	6.4	7	5	800	150	DO-214AC (SMA)
SMAJ5.0CAH ●	Bidirectional	400	6.4	7	5	800	150	DO-214AC (SMA)
SMAJ5.0C	Bidirectional	400	6.4	7.3	5	800	150	DO-214AC (SMA)
SMAJ5.0CH ●	Bidirectional	400	6.4	7.3	5	800	150	DO-214AC (SMA)
BZW04-5V8B	Bidirectional	400	6.45	7.14	5.8	1,000	175	DO-204AL (DO-41)
P4SMA6.8CA	Bidirectional	400	6.46	7.14	5.8	1,000	150	DO-214AC (SMA)
P4SMA6.8CAH ●	Bidirectional	400	6.46	7.14	5.8	1,000	150	DO-214AC (SMA)
P4KE6.8CA ●	Bidirectional	400	6.46	7.14	5.8	1,000	175	DO-204AL (DO-41)
SMAJ6.0CA	Bidirectional	400	6.67	7.37	6	10	150	DO-214AC (SMA)
SMAJ6.0CAH ●	Bidirectional	400	6.67	7.37	6	10	150	DO-214AC (SMA)
SMAJ6.0C	Bidirectional	400	6.67	8.15	6	10	150	DO-214AC (SMA)
SMAJ6.0CH ●	Bidirectional	400	6.67	8.15	6	10	150	DO-214AC (SMA)
P4SMA7.5C	Bidirectional	400	6.75	8.25	6.05	500	150	DO-214AC (SMA)
P4SMA7.5CH ●	Bidirectional	400	6.75	8.25	6.05	500	150	DO-214AC (SMA)
P4KE7.5C ●	Bidirectional	400	6.75	8.25	6.05	500	175	DO-204AL (DO-41)
P4SMA7.5CA	Bidirectional	400	7.13	7.88	6.4	500	150	DO-214AC (SMA)
P4SMA7.5CAH ●	Bidirectional	400	7.13	7.88	6.4	500	150	DO-214AC (SMA)
BZW04-6V4B	Bidirectional	400	7.13	7.88	6.4	500	175	DO-204AL (DO-41)
P4KE7.5CA ●	Bidirectional	400	7.13	7.88	6.4	500	175	DO-204AL (DO-41)
SMAJ6.5CA	Bidirectional	400	7.22	7.98	6.5	10	150	DO-214AC (SMA)
SMAJ6.5CAH ●	Bidirectional	400	7.22	7.98	6.5	10	150	DO-214AC (SMA)
SMAJ6.5C	Bidirectional	400	7.22	8.82	6.5	10	150	DO-214AC (SMA)
SMAJ6.5CH ●	Bidirectional	400	7.22	8.82	6.5	10	150	DO-214AC (SMA)
P4SMA8.2C	Bidirectional	400	7.38	9.02	6.63	200	150	DO-214AC (SMA)

Part Number	Configuration	P <sub>PK</sub> (W)	Breakdown Voltage		VWM(V)	I <sub>R</sub> (μA)	T <sub>J</sub> Max. (°C)	Package Description
			V <sub>BR</sub> Min.(V)	V <sub>BR</sub> Max.(V)				
P4SMA8.2CH ●	Bidirectional	400	7.38	9.02	6.63	200	150	DO-214AC (SMA)
P4KE8.2C ●	Bidirectional	400	7.38	9.02	6.63	200	175	DO-204AL (DO-41)
SMAJ7.0CA	Bidirectional	400	7.78	8.6	7	10	150	DO-214AC (SMA)
SMAJ7.0CAH ●	Bidirectional	400	7.78	8.6	7	10	150	DO-214AC (SMA)
SMAJ7.0C	Bidirectional	400	7.78	9.51	7	10	150	DO-214AC (SMA)
SMAJ7.0CH ●	Bidirectional	400	7.78	9.51	7	10	150	DO-214AC (SMA)
P4SMA8.2CA	Bidirectional	400	7.79	8.61	7.02	200	150	DO-214AC (SMA)
P4SMA8.2CAH ●	Bidirectional	400	7.79	8.61	7.02	200	150	DO-214AC (SMA)
BZW04-7V0B	Bidirectional	400	7.79	8.61	7.02	200	175	DO-204AL (DO-41)
P4KE8.2CA ●	Bidirectional	400	7.79	8.61	7.02	200	175	DO-204AL (DO-41)
P4SMA9.1C	Bidirectional	400	8.19	10.00	7.37	50	150	DO-214AC (SMA)
P4SMA9.1CH ●	Bidirectional	400	8.19	10.00	7.37	50	150	DO-214AC (SMA)
P4KE9.1C ●	Bidirectional	400	8.19	10	7.37	50	175	DO-204AL (DO-41)
SMAJ7.5CA	Bidirectional	400	8.33	9.21	7.5	1	150	DO-214AC (SMA)
SMAJ7.5CAH ●	Bidirectional	400	8.33	9.21	7.5	1	150	DO-214AC (SMA)
SMAJ7.5C	Bidirectional	400	8.33	10.2	7.5	1	150	DO-214AC (SMA)
SMAJ7.5CH ●	Bidirectional	400	8.33	10.2	7.5	1	150	DO-214AC (SMA)
P4SMA9.1CA	Bidirectional	400	8.65	9.55	7.78	50	150	DO-214AC (SMA)
P4SMA9.1CAH ●	Bidirectional	400	8.65	9.55	7.78	50	150	DO-214AC (SMA)
P4KE9.1CA ●	Bidirectional	400	8.65	9.55	7.02	50	175	DO-204AL (DO-41)
BZW04-7V8B	Bidirectional	400	8.65	9.55	7.78	50	175	DO-204AL (DO-41)
SMAJ8.0CA	Bidirectional	400	8.89	9.83	8	50	150	DO-214AC (SMA)
SMAJ8.0CAH ●	Bidirectional	400	8.89	9.83	8	50	150	DO-214AC (SMA)
SMAJ8.0C	Bidirectional	400	8.89	10.9	8	50	150	DO-214AC (SMA)
SMAJ8.0CH ●	Bidirectional	400	8.89	10.9	8	50	150	DO-214AC (SMA)
P4SMA10C	Bidirectional	400	9	11	8.1	10	150	DO-214AC (SMA)
P4SMA10CH ●	Bidirectional	400	9	11	8.1	10	150	DO-214AC (SMA)

## TVS

(T<sub>A</sub>=25°C unless otherwise noted)

● =AEC-Q qualified

Part Number	Configuration	P <sub>PK</sub> (W)	Breakdown Voltage		VWM(V)	I <sub>R</sub> (μA)	T <sub>J</sub> Max. (°C)	Package Description
			V <sub>BR</sub> Min.(V)	V <sub>BR</sub> Max.(V)				
P4KE10C ●	Bidirectional	400	9	11	8.1	10	175	DO-204AL (DO-41)
SMAJ8.5CA	Bidirectional	400	9.44	10.4	8.5	10	150	DO-214AC (SMA)
SMAJ8.5CAH ●	Bidirectional	400	9.44	10.4	8.5	10	150	DO-214AC (SMA)
SMAJ8.5C	Bidirectional	400	9.44	11.5	8.5	50	150	DO-214AC (SMA)
SMAJ8.5CH ●	Bidirectional	400	9.44	11.5	8.5	50	150	DO-214AC (SMA)
P4SMA10CA	Bidirectional	400	9.5	10.5	8.55	10	150	DO-214AC (SMA)
P4SMA10CAH ●	Bidirectional	400	9.5	10.5	8.55	10	150	DO-214AC (SMA)
BZW04-8V5B	Bidirectional	400	9.5	10.5	8.55	10	175	DO-204AL (DO-41)
P4KE10CA ●	Bidirectional	400	9.5	10.5	8.55	10	175	DO-204AL (DO-41)
P4SMA11C	Bidirectional	400	9.9	12.1	8.92	1	150	DO-214AC (SMA)
P4SMA11CH ●	Bidirectional	400	9.9	12.1	8.92	1	150	DO-214AC (SMA)
P4KE11C ●	Bidirectional	400	9.9	12.1	8.92	1	175	DO-204AL (DO-41)
SMAJ9.0CA	Bidirectional	400	10	11.1	9	5	150	DO-214AC (SMA)
SMAJ9.0CAH ●	Bidirectional	400	10	11.1	9	5	150	DO-214AC (SMA)
SMAJ9.0C	Bidirectional	400	10	12.2	9	5	150	DO-214AC (SMA)
SMAJ9.0CH ●	Bidirectional	400	10	12.2	9	5	150	DO-214AC (SMA)
P4SMA11CA	Bidirectional	400	10.5	11.6	9.4	1	150	DO-214AC (SMA)
P4SMA11CAH ●	Bidirectional	400	10.5	11.6	9.4	1	150	DO-214AC (SMA)
P4KE11CA ●	Bidirectional	400	10.5	11.6	9.4	1	175	DO-204AL (DO-41)
BZW04-9V4B ●	Bidirectional	400	10.5	11.6	9.4	5	175	DO-204AL (DO-41)
P4SMA12C	Bidirectional	400	10.8	13.2	9.72	1	150	DO-214AC (SMA)
P4SMA12CH ●	Bidirectional	400	10.8	13.2	9.72	1	150	DO-214AC (SMA)
P4KE12C ●	Bidirectional	400	10.8	13.2	9.72	1	175	DO-204AL (DO-41)
SMAJ10CA	Bidirectional	400	11.1	12.3	10	5	150	DO-214AC (SMA)
SMAJ10CAH ●	Bidirectional	400	11.1	12.3	10	5	150	DO-214AC (SMA)
SMAJ10C	Bidirectional	400	11.1	13.6	10	5	150	DO-214AC (SMA)
SMAJ10CH ●	Bidirectional	400	11.1	13.6	10	5	150	DO-214AC (SMA)

Part Number	Configuration	P <sub>PK</sub> (W)	Breakdown Voltage		VWM(V)	I <sub>R</sub> (μA)	T <sub>J</sub> Max. (°C)	Package Description
			V <sub>BR</sub> Min.(V)	V <sub>BR</sub> Max.(V)				
P4SMA12CA	Bidirectional	400	11.4	12.6	10.2	1	150	DO-214AC (SMA)
P4SMA12CAH ●	Bidirectional	400	11.4	12.6	10.2	1	150	DO-214AC (SMA)
P4KE12CA ●	Bidirectional	400	11.4	12.6	10.2	1	175	DO-204AL (DO-41)
BZW04-10B ●	Bidirectional	400	11.4	12.6	10.2	5	175	DO-204AL (DO-41)
P4SMA13C	Bidirectional	400	11.7	14.3	9.72	1	150	DO-214AC (SMA)
P4SMA13CH ●	Bidirectional	400	11.7	14.3	9.72	1	150	DO-214AC (SMA)
P4KE13C ●	Bidirectional	400	11.7	14.3	10.5	1	175	DO-204AL (DO-41)
SMAJ11CA	Bidirectional	400	12.2	13.5	11	1	150	DO-214AC (SMA)
SMAJ11CAH ●	Bidirectional	400	12.2	13.5	11	1	150	DO-214AC (SMA)
SMAJ11C	Bidirectional	400	12.2	14.9	11	1	150	DO-214AC (SMA)
SMAJ11CH ●	Bidirectional	400	12.2	14.9	11	1	150	DO-214AC (SMA)
P4SMA13CA	Bidirectional	400	12.4	13.7	11.1	1	150	DO-214AC (SMA)
P4SMA13CAH ●	Bidirectional	400	12.4	13.7	11.1	1	150	DO-214AC (SMA)
P4KE13CA ●	Bidirectional	400	12.4	13.7	11.1	1	175	DO-204AL (DO-41)
BZW04-11B ●	Bidirectional	400	12.4	13.7	11.1	5	175	DO-204AL (DO-41)
SMAJ12CA	Bidirectional	400	13.3	14.7	12	1	150	DO-214AC (SMA)
SMAJ12CAH ●	Bidirectional	400	13.3	14.7	12	1	150	DO-214AC (SMA)
SMAJ12C	Bidirectional	400	13.3	16.3	12	1	150	DO-214AC (SMA)
SMAJ12CH ●	Bidirectional	400	13.3	16.3	12	1	150	DO-214AC (SMA)
P4SMA15C	Bidirectional	400	13.5	16.5	12.1	1	150	DO-214AC (SMA)
P4SMA15CH ●	Bidirectional	400	13.5	16.5	12.1	1	150	DO-214AC (SMA)
P4KE15C ●	Bidirectional	400	13.5	16.5	12.1	1	175	DO-204AL (DO-41)
P4SMA15CA	Bidirectional	400	14.3	15.8	12.8	1	150	DO-214AC (SMA)
P4SMA15CAH ●	Bidirectional	400	14.3	15.8	12.8	1	150	DO-214AC (SMA)
P4KE15CA ●	Bidirectional	400	14.3	15.8	12.8	1	175	DO-204AL (DO-41)
BZW04-13B ●	Bidirectional	400	14.3	15.8	12.8	5	175	DO-204AL (DO-41)
SMAJ13CA	Bidirectional	400	14.4	15.9	13	1	150	DO-214AC (SMA)

## TVS

(T<sub>A</sub>=25°C unless otherwise noted)

● =AEC-Q qualified

Part Number	Configuration	P <sub>PK</sub> (W)	Breakdown Voltage		VWM(V)	I <sub>R</sub> (μA)	T <sub>j</sub> Max. (°C)	Package Description
			V <sub>BR</sub> Min.(V)	V <sub>BR</sub> Max.(V)				
SMAJ13CAH ●	Bidirectional	400	14.4	15.9	13	1	150	DO-214AC (SMA)
P4SMA16C	Bidirectional	400	14.4	17.6	12.9	1	150	DO-214AC (SMA)
P4SMA16CH ●	Bidirectional	400	14.4	17.6	12.9	1	150	DO-214AC (SMA)
P4KE16C ●	Bidirectional	400	14.4	17.6	12.9	1	175	DO-204AL (DO-41)
SMAJ13C	Bidirectional	400	14.4	17.6	13	1	150	DO-214AC (SMA)
SMAJ13CH ●	Bidirectional	400	14.4	17.6	13	1	150	DO-214AC (SMA)
P4SMA16CA	Bidirectional	400	15.2	16.8	13.6	1	150	DO-214AC (SMA)
P4SMA16CAH ●	Bidirectional	400	15.2	16.8	13.6	1	150	DO-214AC (SMA)
BZW04-14B ●	Bidirectional	400	15.2	16.8	13.6	1	175	DO-204AL (DO-41)
P4KE16CA ●	Bidirectional	400	15.2	16.8	13.6	1	175	DO-204AL (DO-41)
SMAJ14CA	Bidirectional	400	15.6	17.2	14	1	150	DO-214AC (SMA)
SMAJ14CAH ●	Bidirectional	400	15.6	17.2	14	1	150	DO-214AC (SMA)
SMAJ14C	Bidirectional	400	15.6	19.1	14	1	150	DO-214AC (SMA)
SMAJ14CH ●	Bidirectional	400	15.6	19.1	14	1	150	DO-214AC (SMA)
P4SMA18C	Bidirectional	400	16.2	19.8	14.5	1	150	DO-214AC (SMA)
P4SMA18CH ●	Bidirectional	400	16.2	19.8	14.5	1	150	DO-214AC (SMA)
P4KE18C ●	Bidirectional	400	16.2	19.8	14.5	1	175	DO-204AL (DO-41)
SMAJ15CA	Bidirectional	400	16.7	18.5	15	1	150	DO-214AC (SMA)
SMAJ15CAH ●	Bidirectional	400	16.7	18.5	15	1	150	DO-214AC (SMA)
SMAJ15C	Bidirectional	400	16.7	20.4	15	1	150	DO-214AC (SMA)
SMAJ15CH ●	Bidirectional	400	16.7	20.4	15	1	150	DO-214AC (SMA)
P4SMA18CA	Bidirectional	400	17.1	18.9	15.3	1	150	DO-214AC (SMA)
P4SMA18CAH ●	Bidirectional	400	17.1	18.9	15.3	1	150	DO-214AC (SMA)
BZW04-15B ●	Bidirectional	400	17.1	18.9	15.3	1	175	DO-204AL (DO-41)
P4KE18CA ●	Bidirectional	400	17.1	18.9	15.3	1	175	DO-204AL (DO-41)
SMAJ16CA	Bidirectional	400	17.8	19.7	16	1	150	DO-214AC (SMA)
SMAJ16CAH ●	Bidirectional	400	17.8	19.7	16	1	150	DO-214AC (SMA)

Part Number	Configuration	P <sub>PK</sub> (W)	Breakdown Voltage		VWM(V)	I <sub>R</sub> (μA)	T <sub>j</sub> Max. (°C)	Package Description
			V <sub>BR</sub> Min.(V)	V <sub>BR</sub> Max.(V)				
SMAJ16C	Bidirectional	400	17.8	21.8	16	1	150	DO-214AC (SMA)
SMAJ16CH ●	Bidirectional	400	17.8	21.8	16	1	150	DO-214AC (SMA)
P4SMA20C	Bidirectional	400	18	22	16.2	1	150	DO-214AC (SMA)
P4SMA20CH ●	Bidirectional	400	18	22	16.2	1	150	DO-214AC (SMA)
P4KE20C ●	Bidirectional	400	18	22	16.2	1	175	DO-204AL (DO-41)
SMAJ17CA	Bidirectional	400	18.9	20.9	17	1	150	DO-214AC (SMA)
SMAJ17CAH ●	Bidirectional	400	18.9	20.9	17	1	150	DO-214AC (SMA)
SMAJ17C	Bidirectional	400	18.9	23.1	17	1	150	DO-214AC (SMA)
SMAJ17CH ●	Bidirectional	400	18.9	23.1	17	1	150	DO-214AC (SMA)
P4SMA20CA	Bidirectional	400	19	21	17.1	1	150	DO-214AC (SMA)
P4SMA20CAH ●	Bidirectional	400	19	21	17.1	1	150	DO-214AC (SMA)
BZW04-17B ●	Bidirectional	400	19	21	17.1	1	175	DO-204AL (DO-41)
P4KE20CA ●	Bidirectional	400	19	21	17.1	1	175	DO-204AL (DO-41)
P4SMA22C	Bidirectional	400	19.8	24.2	17.8	1	150	DO-214AC (SMA)
P4SMA22CH ●	Bidirectional	400	19.8	24.2	17.8	1	150	DO-214AC (SMA)
P4KE22C ●	Bidirectional	400	19.8	24.2	17.8	1	175	DO-204AL (DO-41)
SMAJ18CA	Bidirectional	400	20	22.1	18	1	150	DO-214AC (SMA)
SMAJ18CAH ●	Bidirectional	400	20	22.1	18	1	150	DO-214AC (SMA)
SMAJ18C	Bidirectional	400	20	24.4	18	1	150	DO-214AC (SMA)
SMAJ18CH ●	Bidirectional	400	20	24.4	18	1	150	DO-214AC (SMA)
P4SMA22CA	Bidirectional	400	20.9	23.1	18.8	1	150	DO-214AC (SMA)
P4SMA22CAH ●	Bidirectional	400	20.9	23.1	18.8	1	150	DO-214AC (SMA)
BZW04-19B ●	Bidirectional	400	20.9	23.1	18.8	1	175	DO-204AL (DO-41)
P4KE22CA ●	Bidirectional	400	20.9	23.1	18.8	1	175	DO-204AL (DO-41)
P4SMA24C	Bidirectional	400	21.6	26.4	19.4	1	150	DO-214AC (SMA)
P4SMA24CH ●	Bidirectional	400	21.6	26.4	19.4	1	150	DO-214AC (SMA)
P4KE24C ●	Bidirectional	400	21.6	26.4	19.4	1	175	DO-204AL (DO-41)

## TVS

(T<sub>A</sub>=25°C unless otherwise noted)

● =AEC-Q qualified

Part Number	Configuration	P <sub>PK</sub> (W)	Breakdown Voltage		VWM(V)	I <sub>R</sub> (μA)	T <sub>j</sub> Max. (°C)	Package Description
			V <sub>BR</sub> Min.(V)	V <sub>BR</sub> Max.(V)				
SMAJ20CA	Bidirectional	400	22.2	24.5	20	1	150	DO-214AC (SMA)
SMAJ20CAH ●	Bidirectional	400	22.2	24.5	20	1	150	DO-214AC (SMA)
SMAJ20C	Bidirectional	400	22.2	27.1	20	1	150	DO-214AC (SMA)
SMAJ20CH ●	Bidirectional	400	22.2	27.1	20	1	150	DO-214AC (SMA)
P4SMA24CA	Bidirectional	400	22.8	25.2	20.5	1	150	DO-214AC (SMA)
P4SMA24CAH ●	Bidirectional	400	22.8	25.2	20.5	1	150	DO-214AC (SMA)
BZW04-20B ●	Bidirectional	400	22.8	25.2	20.5	1	175	DO-204AL (DO-41)
P4KE24CA ●	Bidirectional	400	22.8	25.2	20.5	1	175	DO-204AL (DO-41)
P4SMA27C	Bidirectional	400	24.3	29.7	21.8	1	150	DO-214AC (SMA)
P4SMA27CH ●	Bidirectional	400	24.3	29.7	21.8	1	150	DO-214AC (SMA)
P4KE27C ●	Bidirectional	400	24.3	29.7	21.8	1	175	DO-204AL (DO-41)
SMAJ22CA	Bidirectional	400	24.4	26.9	22	1	150	DO-214AC (SMA)
SMAJ22CAH ●	Bidirectional	400	24.4	26.9	22	1	150	DO-214AC (SMA)
SMAJ22C	Bidirectional	400	24.4	29.8	22	1	150	DO-214AC (SMA)
SMAJ22CH ●	Bidirectional	400	24.4	29.8	22	1	150	DO-214AC (SMA)
P4SMA27CA	Bidirectional	400	25.7	28.4	23.1	1	150	DO-214AC (SMA)
P4SMA27CAH ●	Bidirectional	400	25.7	28.4	23.1	1	150	DO-214AC (SMA)
BZW04-23B ●	Bidirectional	400	25.7	28.4	23.1	1	175	DO-204AL (DO-41)
P4KE27CA ●	Bidirectional	400	25.7	28.4	23.1	1	175	DO-204AL (DO-41)
SMAJ24CA	Bidirectional	400	26.7	29.5	24	1	150	DO-214AC (SMA)
SMAJ24CAH ●	Bidirectional	400	26.7	29.5	24	1	150	DO-214AC (SMA)
SMAJ24C	Bidirectional	400	26.7	32.6	24	1	150	DO-214AC (SMA)
SMAJ24CH ●	Bidirectional	400	26.7	32.6	24	1	150	DO-214AC (SMA)
P4SMA30C	Bidirectional	400	27	33	24.3	1	150	DO-214AC (SMA)
P4SMA30CH ●	Bidirectional	400	27	33	24.3	1	150	DO-214AC (SMA)
P4KE30C ●	Bidirectional	400	27	33	24.3	1	175	DO-204AL (DO-41)
P4SMA30CA	Bidirectional	400	28.5	31.5	25.6	1	150	DO-214AC (SMA)

Part Number	Configuration	P <sub>PK</sub> (W)	Breakdown Voltage		VWM(V)	I <sub>R</sub> (μA)	T <sub>j</sub> Max. (°C)	Package Description
			V <sub>BR</sub> Min.(V)	V <sub>BR</sub> Max.(V)				
P4SMA30CAH ●	Bidirectional	400	28.5	31.5	25.6	1	150	DO-214AC (SMA)
BZW04-26B ●	Bidirectional	400	28.5	31.5	25.6	1	175	DO-204AL (DO-41)
P4KE30CA ●	Bidirectional	400	28.5	31.5	25.6	1	175	DO-204AL (DO-41)
SMAJ26CA	Bidirectional	400	28.9	31.9	26	1	150	DO-214AC (SMA)
SMAJ26CAH ●	Bidirectional	400	28.9	31.9	26	1	150	DO-214AC (SMA)
SMAJ26C	Bidirectional	400	28.9	35.3	26	1	150	DO-214AC (SMA)
SMAJ26CH ●	Bidirectional	400	28.9	35.3	26	1	150	DO-214AC (SMA)
P4SMA33C	Bidirectional	400	29.7	36.3	26.8	1	150	DO-214AC (SMA)
P4SMA33CH ●	Bidirectional	400	29.7	36.3	26.8	1	150	DO-214AC (SMA)
P4KE33C ●	Bidirectional	400	29.7	36.3	26.8	1	175	DO-204AL (DO-41)
SMAJ28CA	Bidirectional	400	31.1	34.4	28	1	150	DO-214AC (SMA)
SMAJ28CAH ●	Bidirectional	400	31.1	34.4	28	1	150	DO-214AC (SMA)
SMAJ28C	Bidirectional	400	31.1	38	28	1	150	DO-214AC (SMA)
SMAJ28CH ●	Bidirectional	400	31.1	38	28	1	150	DO-214AC (SMA)
P4SMA33CA	Bidirectional	400	31.4	34.7	28.2	1	150	DO-214AC (SMA)
P4SMA33CAH ●	Bidirectional	400	31.4	34.7	28.2	1	150	DO-214AC (SMA)
BZW04-28B ●	Bidirectional	400	31.4	34.7	28.2	1	175	DO-204AL (DO-41)
P4KE33CA ●	Bidirectional	400	31.4	34.7	28.2	1	175	DO-204AL (DO-41)
P4SMA36C	Bidirectional	400	32.4	39.6	29.1	1	150	DO-214AC (SMA)
P4SMA36CH ●	Bidirectional	400	32.4	39.6	29.1	1	150	DO-214AC (SMA)
P4KE36C ●	Bidirectional	400	32.4	39.6	29.1	1	175	DO-204AL (DO-41)
SMAJ30CA	Bidirectional	400	33.3	36.8	30	1	150	DO-214AC (SMA)
SMAJ30CAH ●	Bidirectional	400	33.3	36.8	30	1	150	DO-214AC (SMA)
SMAJ30C	Bidirectional	400	33.3	40.7	30	1	150	DO-214AC (SMA)
SMAJ30CH ●	Bidirectional	400	33.3	40.7	30	1	150	DO-214AC (SMA)
P4SMA36CA	Bidirectional	400	34.2	37.8	30.8	1	150	DO-214AC (SMA)
P4SMA36CAH ●	Bidirectional	400	34.2	37.8	30.8	1	150	DO-214AC (SMA)

## TVS

(T<sub>A</sub>=25°C unless otherwise noted)

● =AEC-Q qualified

Part Number	Configuration	P <sub>PK</sub> (W)	Breakdown Voltage		VWM(V)	I <sub>R</sub> (μA)	T <sub>j</sub> Max. (°C)	Package Description
			V <sub>BR</sub> Min.(V)	V <sub>BR</sub> Max.(V)				
BZW04-31B ●	Bidirectional	400	34.2	37.8	30.8	1	175	DO-204AL (DO-41)
P4KE36CA ●	Bidirectional	400	34.2	37.8	30.8	1	175	DO-204AL (DO-41)
P4SMA39C	Bidirectional	400	35.1	42.9	31.6	1	150	DO-214AC (SMA)
P4SMA39CH ●	Bidirectional	400	35.1	42.9	31.6	1	150	DO-214AC (SMA)
P4KE39C ●	Bidirectional	400	35.1	42.9	31.6	1	175	DO-204AL (DO-41)
SMAJ33CA	Bidirectional	400	36.7	40.6	33	1	150	DO-214AC (SMA)
SMAJ33CAH ●	Bidirectional	400	36.7	40.6	33	1	150	DO-214AC (SMA)
SMAJ33C	Bidirectional	400	36.7	44.9	33	1	150	DO-214AC (SMA)
SMAJ33CH ●	Bidirectional	400	36.7	44.9	33	1	150	DO-214AC (SMA)
P4SMA39CA	Bidirectional	400	37.1	41.0	33.3	1	150	DO-214AC (SMA)
P4SMA39CAH ●	Bidirectional	400	37.1	41.0	33.3	1	150	DO-214AC (SMA)
BZW04-33B ●	Bidirectional	400	37.1	41	33.3	1	175	DO-204AL (DO-41)
P4KE39CA ●	Bidirectional	400	37.1	41	33.3	1	175	DO-204AL (DO-41)
P4SMA43C	Bidirectional	400	38.7	47.3	34.8	1	150	DO-214AC (SMA)
P4SMA43CH ●	Bidirectional	400	38.7	47.3	34.8	1	150	DO-214AC (SMA)
P4KE43C ●	Bidirectional	400	38.7	47.3	34.8	1	175	DO-204AL (DO-41)
SMAJ36CA	Bidirectional	400	40	44.2	36	1	150	DO-214AC (SMA)
SMAJ36CAH ●	Bidirectional	400	40	44.2	36	1	150	DO-214AC (SMA)
SMAJ36C	Bidirectional	400	40	48.9	36	1	150	DO-214AC (SMA)
SMAJ36CH ●	Bidirectional	400	40	48.9	36	1	150	DO-214AC (SMA)
P4SMA43CA	Bidirectional	400	40.9	45.2	36.8	1	150	DO-214AC (SMA)
P4SMA43CAH ●	Bidirectional	400	40.9	45.2	36.8	1	150	DO-214AC (SMA)
BZW04-37B ●	Bidirectional	400	40.9	45.2	36.8	1	175	DO-204AL (DO-41)
P4KE43CA ●	Bidirectional	400	40.9	45.2	36.8	1	175	DO-204AL (DO-41)
P4SMA47C	Bidirectional	400	42.3	51.7	38.1	1	150	DO-214AC (SMA)
P4SMA47CH ●	Bidirectional	400	42.3	51.7	38.1	1	150	DO-214AC (SMA)
P4KE47C ●	Bidirectional	400	42.3	51.7	38.1	1	175	DO-204AL (DO-41)

Part Number	Configuration	P <sub>PK</sub> (W)	Breakdown Voltage		VWM(V)	I <sub>R</sub> (μA)	T <sub>j</sub> Max. (°C)	Package Description
			V <sub>BR</sub> Min.(V)	V <sub>BR</sub> Max.(V)				
SMAJ40CA	Bidirectional	400	44.4	49.1	40	1	150	DO-214AC (SMA)
SMAJ40CAH ●	Bidirectional	400	44.4	49.1	40	1	150	DO-214AC (SMA)
SMAJ40C	Bidirectional	400	44.4	54.3	40	1	150	DO-214AC (SMA)
SMAJ40CH ●	Bidirectional	400	44.4	54.3	40	1	150	DO-214AC (SMA)
P4SMA47CA	Bidirectional	400	44.7	49.4	40.2	1	150	DO-214AC (SMA)
P4SMA47CAH ●	Bidirectional	400	44.7	49.4	40.2	1	150	DO-214AC (SMA)
BZW04-40B ●	Bidirectional	400	44.7	49.4	40.2	1	175	DO-204AL (DO-41)
P4KE47CA ●	Bidirectional	400	44.7	49.4	40.2	1	175	DO-204AL (DO-41)
P4SMA51C	Bidirectional	400	45.9	56.1	41.3	1	150	DO-214AC (SMA)
P4SMA51CH ●	Bidirectional	400	45.9	56.1	41.3	1	150	DO-214AC (SMA)
P4KE51C ●	Bidirectional	400	45.9	56.1	41.3	1	175	DO-204AL (DO-41)
SMAJ43CA	Bidirectional	400	47.8	52.8	43	1	150	DO-214AC (SMA)
SMAJ43CAH ●	Bidirectional	400	47.8	52.8	43	1	150	DO-214AC (SMA)
SMAJ43C	Bidirectional	400	47.8	58.4	43	1	150	DO-214AC (SMA)
SMAJ43CH ●	Bidirectional	400	47.8	58.4	43	1	150	DO-214AC (SMA)
P4SMA51CA	Bidirectional	400	48.5	53.6	43.6	1	150	DO-214AC (SMA)
P4SMA51CAH ●	Bidirectional	400	48.5	53.6	43.6	1	150	DO-214AC (SMA)
BZW04-44B ●	Bidirectional	400	48.5	53.6	43.6	1	175	DO-204AL (DO-41)
P4KE51CA ●	Bidirectional	400	48.5	53.6	43.6	1	175	DO-204AL (DO-41)
SMAJ45CA	Bidirectional	400	50	55.3	45	1	150	DO-214AC (SMA)
SMAJ45CAH ●	Bidirectional	400	50	55.3	45	1	150	DO-214AC (SMA)
SMAJ45C	Bidirectional	400	50	61.1	45	1	150	DO-214AC (SMA)
SMAJ45CH ●	Bidirectional	400	50	61.1	45	1	150	DO-214AC (SMA)
P4SMA56C	Bidirectional	400	50.4	61.6	45.4	1	150	DO-214AC (SMA)
P4SMA56CH ●	Bidirectional	400	50.4	61.6	45.4	1	150	DO-214AC (SMA)
P4KE56C ●	Bidirectional	400	50.4	61.6	45.4	1	175	DO-204AL (DO-41)
P4SMA56CA	Bidirectional	400	53.2	58.8	47.8	1	150	DO-214AC (SMA)

## TVS

(T<sub>A</sub>=25°C unless otherwise noted)

● =AEC-Q qualified

Part Number	Configuration	P <sub>PK</sub> (W)	Breakdown Voltage		VWM(V)	I <sub>R</sub> (μA)	T <sub>j</sub> Max. (°C)	Package Description
			V <sub>BR</sub> Min.(V)	V <sub>BR</sub> Max.(V)				
P4SMA56CAH ●	Bidirectional	400	53.2	58.8	47.8	1	150	DO-214AC (SMA)
BZW04-48B ●	Bidirectional	400	53.2	58.8	47.8	1	175	DO-204AL (DO-41)
P4KE56CA ●	Bidirectional	400	53.2	58.8	47.8	1	175	DO-204AL (DO-41)
SMAJ48CA	Bidirectional	400	53.3	58.9	48	1	150	DO-214AC (SMA)
SMAJ48CAH ●	Bidirectional	400	53.3	58.9	48	1	150	DO-214AC (SMA)
SMAJ48C	Bidirectional	400	53.3	65.2	48	1	150	DO-214AC (SMA)
SMAJ48CH ●	Bidirectional	400	53.3	65.2	48	1	150	DO-214AC (SMA)
P4SMA62C	Bidirectional	400	55.8	68.2	50.2	1	150	DO-214AC (SMA)
P4SMA62CH ●	Bidirectional	400	55.8	68.2	50.2	1	150	DO-214AC (SMA)
P4KE62C ●	Bidirectional	400	55.8	68.2	50.2	1	175	DO-204AL (DO-41)
SMAJ51CA	Bidirectional	400	56.7	62.7	51	1	150	DO-214AC (SMA)
SMAJ51CAH ●	Bidirectional	400	56.7	62.7	51	1	150	DO-214AC (SMA)
SMAJ51C	Bidirectional	400	56.7	69.3	51	1	150	DO-214AC (SMA)
SMAJ51CH ●	Bidirectional	400	56.7	69.3	51	1	150	DO-214AC (SMA)
P4SMA62CA	Bidirectional	400	58.9	65.1	53	1	150	DO-214AC (SMA)
P4SMA62CAH ●	Bidirectional	400	58.9	65.1	53	1	150	DO-214AC (SMA)
BZW04-53B ●	Bidirectional	400	58.9	65.1	53	1	175	DO-204AL (DO-41)
P4KE62CA ●	Bidirectional	400	58.9	65.1	53	1	175	DO-204AL (DO-41)
SMAJ54CA	Bidirectional	400	60	66.3	54	1	150	DO-214AC (SMA)
SMAJ54CAH ●	Bidirectional	400	60	66.3	54	1	150	DO-214AC (SMA)
SMAJ54C	Bidirectional	400	60	73.3	54	1	150	DO-214AC (SMA)
SMAJ54CH ●	Bidirectional	400	60	73.3	54	1	150	DO-214AC (SMA)
P4SMA68C	Bidirectional	400	61.2	74.8	55.1	1	150	DO-214AC (SMA)
P4SMA68CH ●	Bidirectional	400	61.2	74.8	55.1	1	150	DO-214AC (SMA)
P4KE68C ●	Bidirectional	400	61.2	74.8	55.1	1	175	DO-204AL (DO-41)
SMAJ58CA	Bidirectional	400	64.4	71.2	58	1	150	DO-214AC (SMA)
SMAJ58CAH ●	Bidirectional	400	64.4	71.2	58	1	150	DO-214AC (SMA)

Part Number	Configuration	P <sub>PK</sub> (W)	Breakdown Voltage		VWM(V)	I <sub>R</sub> (μA)	T <sub>j</sub> Max. (°C)	Package Description
			V <sub>BR</sub> Min.(V)	V <sub>BR</sub> Max.(V)				
SMAJ58C	Bidirectional	400	64.4	78.7	58	1	150	DO-214AC (SMA)
SMAJ58CH ●	Bidirectional	400	64.4	78.7	58	1	150	DO-214AC (SMA)
P4SMA68CA	Bidirectional	400	64.6	71.4	58.1	1	150	DO-214AC (SMA)
P4SMA68CAH ●	Bidirectional	400	64.6	71.4	58.1	1	150	DO-214AC (SMA)
BZW04-58B ●	Bidirectional	400	64.6	71.4	58.1	1	175	DO-204AL (DO-41)
P4KE68CA ●	Bidirectional	400	64.6	71.4	58.1	1	175	DO-204AL (DO-41)
SMAJ60CA	Bidirectional	400	66.7	73.7	60	1	150	DO-214AC (SMA)
SMAJ60CAH ●	Bidirectional	400	66.7	73.7	60	1	150	DO-214AC (SMA)
SMAJ60C	Bidirectional	400	66.7	81.5	60	1	150	DO-214AC (SMA)
SMAJ60CH ●	Bidirectional	400	66.7	81.5	60	1	150	DO-214AC (SMA)
P4SMA75C	Bidirectional	400	67.5	82.5	60.7	1	150	DO-214AC (SMA)
P4SMA75CH ●	Bidirectional	400	67.5	82.5	60.7	1	150	DO-214AC (SMA)
P4KE75C ●	Bidirectional	400	67.5	82.5	60.7	1	175	DO-204AL (DO-41)
SMAJ64CA	Bidirectional	400	71.1	78.6	64	1	150	DO-214AC (SMA)
SMAJ64CAH ●	Bidirectional	400	71.1	78.6	64	1	150	DO-214AC (SMA)
P4SMA75CA	Bidirectional	400	71.3	78.8	64.1	1	150	DO-214AC (SMA)
P4SMA75CAH ●	Bidirectional	400	71.3	78.8	64.1	1	150	DO-214AC (SMA)
BZW04-64B ●	Bidirectional	400	71.3	78.8	64.1	1	175	DO-204AL (DO-41)
P4KE75CA ●	Bidirectional	400	71.3	78.8	64.1	1	175	DO-204AL (DO-41)
P4SMA82C	Bidirectional	400	73.8	90.2	66.4	1	150	DO-214AC (SMA)
P4SMA82CH ●	Bidirectional	400	73.8	90.2	66.4	1	150	DO-214AC (SMA)
P4KE82C ●	Bidirectional	400	73.8	90.2	66.4	1	175	DO-204AL (DO-41)
P4SMA82CA	Bidirectional	400	77.9	86.1	70.1	1	150	DO-214AC (SMA)
P4SMA82CAH ●	Bidirectional	400	77.9	86.1	70.1	1	150	DO-214AC (SMA)
BZW04-70B ●	Bidirectional	400	77.9	86.1	70.1	1	175	DO-204AL (DO-41)
P4KE82CA ●	Bidirectional	400	77.9	86.1	70.1	1	175	DO-204AL (DO-41)
P4SMA91C	Bidirectional	400	81.9	100.0	73.7	1	150	DO-214AC (SMA)



## TVS

(T<sub>A</sub>=25°C unless otherwise noted)

● =AEC-Q qualified

Part Number	Configuration	P <sub>PK</sub> (W)	Breakdown Voltage		VWM(V)	I <sub>R</sub> (μA)	T <sub>j</sub> Max. (°C)	Package Description
			V <sub>BR</sub> Min.(V)	V <sub>BR</sub> Max.(V)				
P4SMA91CH ●	Bidirectional	400	81.9	100.0	73.7	1	150	DO-214AC (SMA)
P4KE91C ●	Bidirectional	400	81.9	100	73.7	1	175	DO-204AL (DO-41)
P4SMA91CA	Bidirectional	400	86.5	95.5	77.8	1	150	DO-214AC (SMA)
P4SMA91CAH ●	Bidirectional	400	86.5	95.5	77.8	1	150	DO-214AC (SMA)
P4KE91CA ●	Bidirectional	400	86.5	95.5	77.8	1	175	DO-204AL (DO-41)
BZW04-78B ●	Bidirectional	400	86.5	95.5	78	1	175	DO-204AL (DO-41)
P4SMA100C	Bidirectional	400	90	110	81	1	150	DO-214AC (SMA)
P4SMA100CH ●	Bidirectional	400	90	110	81	1	150	DO-214AC (SMA)
P4KE100C ●	Bidirectional	400	90	110	81	1	175	DO-204AL (DO-41)
P4SMA100CA	Bidirectional	400	95	105	85.5	1	150	DO-214AC (SMA)
P4SMA100CAH ●	Bidirectional	400	95	105	85.5	1	150	DO-214AC (SMA)
BZW04-85B ●	Bidirectional	400	95	105	85.5	1	175	DO-204AL (DO-41)
P4KE100CA ●	Bidirectional	400	95	105	85.5	1	175	DO-204AL (DO-41)
P4SMA110C	Bidirectional	400	99	121	89.2	1	150	DO-214AC (SMA)
P4SMA110CH ●	Bidirectional	400	99	121	89.2	1	150	DO-214AC (SMA)
P4KE110C ●	Bidirectional	400	99	121	89.2	1	175	DO-204AL (DO-41)
P4SMA110CA	Bidirectional	400	104.5	115.5	94	1	150	DO-214AC (SMA)
P4SMA110CAH ●	Bidirectional	400	104.5	115.5	94	1	150	DO-214AC (SMA)
BZW04-94B ●	Bidirectional	400	105	116	94	1	175	DO-204AL (DO-41)
P4KE110CA ●	Bidirectional	400	105	116	94	1	175	DO-204AL (DO-41)
P4SMA120C	Bidirectional	400	108	132	97.2	1	150	DO-214AC (SMA)
P4SMA120CH ●	Bidirectional	400	108	132	97.2	1	150	DO-214AC (SMA)
P4KE120C ●	Bidirectional	400	108	132	97.2	1	175	DO-204AL (DO-41)
P4SMA120CA	Bidirectional	400	114	126	102	1	150	DO-214AC (SMA)
P4SMA120CAH ●	Bidirectional	400	114	126	102	1	150	DO-214AC (SMA)
BZW04-102B ●	Bidirectional	400	114	126	102	1	175	DO-204AL (DO-41)
P4KE120CA ●	Bidirectional	400	114	126	102	1	175	DO-204AL (DO-41)

Part Number	Configuration	P <sub>PK</sub> (W)	Breakdown Voltage		VWM(V)	I <sub>R</sub> (μA)	T <sub>j</sub> Max. (°C)	Package Description
			V <sub>BR</sub> Min.(V)	V <sub>BR</sub> Max.(V)				
P4SMA130C	Bidirectional	400	117	143	105	1	150	DO-214AC (SMA)
P4SMA130CH ●	Bidirectional	400	117	143	105	1	150	DO-214AC (SMA)
P4KE130C ●	Bidirectional	400	117	143	105	1	175	DO-204AL (DO-41)
P4SMA130CA	Bidirectional	400	123.5	136.5	111	1	150	DO-214AC (SMA)
P4SMA130CAH ●	Bidirectional	400	123.5	136.5	111	1	150	DO-214AC (SMA)
BZW04-110B ●	Bidirectional	400	124	137	111	1	175	DO-204AL (DO-41)
P4KE130CA ●	Bidirectional	400	124	137	111	1	175	DO-204AL (DO-41)
P4SMA150C	Bidirectional	400	135	165	121	1	150	DO-214AC (SMA)
P4SMA150CH ●	Bidirectional	400	135	165	121	1	150	DO-214AC (SMA)
P4KE150C ●	Bidirectional	400	135	165	121	1	175	DO-204AL (DO-41)
P4SMA150CA	Bidirectional	400	142.5	157.5	128	1	150	DO-214AC (SMA)
P4SMA150CAH ●	Bidirectional	400	142.5	157.5	128	1	150	DO-214AC (SMA)
BZW04-128B ●	Bidirectional	400	143	158	128	1	175	DO-204AL (DO-41)
P4KE150CA ●	Bidirectional	400	143	158	128	1	175	DO-204AL (DO-41)
P4SMA160C	Bidirectional	400	144	176	130	1	150	DO-214AC (SMA)
P4SMA160CH ●	Bidirectional	400	144	176	130	1	150	DO-214AC (SMA)
P4KE160C ●	Bidirectional	400	144	176	130	1	175	DO-204AL (DO-41)
P4SMA160CA	Bidirectional	400	152	168	136	1	150	DO-214AC (SMA)
P4SMA160CAH ●	Bidirectional	400	152	168	136	1	150	DO-214AC (SMA)
BZW04-136B ●	Bidirectional	400	152	168	136	1	175	DO-204AL (DO-41)
P4KE160CA ●	Bidirectional	400	152	168	136	1	175	DO-204AL (DO-41)
P4SMA170C	Bidirectional	400	153	187	138	1	150	DO-214AC (SMA)
P4SMA170CH ●	Bidirectional	400	153	187	138	1	150	DO-214AC (SMA)
P4KE170C ●	Bidirectional	400	153	187	138	1	175	DO-204AL (DO-41)
BZW04-145B ●	Bidirectional	400	161	179	145	1	175	DO-204AL (DO-41)
P4SMA170CA	Bidirectional	400	161.5	178.5	145	1	150	DO-214AC (SMA)
P4SMA170CAH ●	Bidirectional	400	161.5	178.5	145	1	150	DO-214AC (SMA)

## TVS

(T<sub>A</sub>=25°C unless otherwise noted)

● =AEC-Q qualified

Part Number	Configuration	P <sub>PK</sub> (W)	Breakdown Voltage		VWM(V)	I <sub>R</sub> (μA)	T <sub>J</sub> Max. (°C)	Package Description
			V <sub>BR</sub> Min.(V)	V <sub>BR</sub> Max.(V)				
P4KE170CA ●	Bidirectional	400	162	179	145	1	175	DO-204AL (DO-41)
P4SMA180C	Bidirectional	400	162	198	146	1	150	DO-214AC (SMA)
P4SMA180CH ●	Bidirectional	400	162	198	146	1	150	DO-214AC (SMA)
P4KE180C ●	Bidirectional	400	162	198	146	1	175	DO-204AL (DO-41)
P4SMA180CA	Bidirectional	400	171	189	154	1	150	DO-214AC (SMA)
P4SMA180CAH ●	Bidirectional	400	171	189	154	1	150	DO-214AC (SMA)
BZW04-154B ●	Bidirectional	400	171	189	154	1	175	DO-204AL (DO-41)
P4KE180CA ●	Bidirectional	400	171	189	154	1	175	DO-204AL (DO-41)
P4SMA200C	Bidirectional	400	180	220	162	1	150	DO-214AC (SMA)
P4SMA200CH ●	Bidirectional	400	180	220	162	1	150	DO-214AC (SMA)
P4KE200C ●	Bidirectional	400	180	220	162	1	175	DO-204AL (DO-41)
P4SMA200CA	Bidirectional	400	190	210	171	1	150	DO-214AC (SMA)
P4SMA200CAH ●	Bidirectional	400	190	210	171	1	150	DO-214AC (SMA)
BZW04-171B ●	Bidirectional	400	190	210	171	1	175	DO-204AL (DO-41)
P4KE200CA ●	Bidirectional	400	190	210	171	1	175	DO-204AL (DO-41)
P4KE220C ●	Bidirectional	400	198	242	175	1	175	DO-204AL (DO-41)
P4KE220CA ●	Bidirectional	400	209	231	185	1	175	DO-204AL (DO-41)
BZW04-188B ●	Bidirectional	400	209	231	188	1	175	DO-204AL (DO-41)
P4KE250C ●	Bidirectional	400	225	275	202	1	175	DO-204AL (DO-41)
BZW04-213B ●	Bidirectional	400	237	263	213	1	175	DO-204AL (DO-41)
P4KE250CA ●	Bidirectional	400	237	263	214	1	175	DO-204AL (DO-41)
BZW04-239B ●	Bidirectional	400	266	294	239	1	175	DO-204AL (DO-41)
P4KE300C ●	Bidirectional	400	270	330	243	1	175	DO-204AL (DO-41)
BZW04-256B ●	Bidirectional	400	285	315	256	1	175	DO-204AL (DO-41)
P4KE300CA ●	Bidirectional	400	285	315	256	1	175	DO-204AL (DO-41)
BZW04-273B ●	Bidirectional	400	304	336	273	1	175	DO-204AL (DO-41)
P4KE350C ●	Bidirectional	400	315	385	284	1	175	DO-204AL (DO-41)

Part Number	Configuration	P <sub>PK</sub> (W)	Breakdown Voltage		VWM(V)	I <sub>R</sub> (μA)	T <sub>J</sub> Max. (°C)	Package Description
			V <sub>BR</sub> Min.(V)	V <sub>BR</sub> Max.(V)				
BZW04-299B ●	Bidirectional	400	332	368	299	1	175	DO-204AL (DO-41)
P4KE350CA ●	Bidirectional	400	333	368	300	1	175	DO-204AL (DO-41)
P4KE400C ●	Bidirectional	400	360	440	324	1	175	DO-204AL (DO-41)
BZW04-342B ●	Bidirectional	400	380	420	342	1	175	DO-204AL (DO-41)
P4KE400CA ●	Bidirectional	400	380	420	342	1	175	DO-204AL (DO-41)
P4KE440C ●	Bidirectional	400	396	484	356	1	175	DO-204AL (DO-41)
BZW04-376B ●	Bidirectional	400	418	462	376	1	175	DO-204AL (DO-41)
P4KE440CA ●	Bidirectional	400	418	462	376	1	175	DO-204AL (DO-41)
SA5.0CA	Bidirectional	500	6.4	7	5	600	175	DO-204AC (DO-15)
SA5.0C	Bidirectional	500	6.4	7.3	5	600	175	DO-204AC (DO-15)
SA6.0CA	Bidirectional	500	6.67	7.37	6	600	175	DO-204AC (DO-15)
SA6.0C	Bidirectional	500	6.67	8.15	6	600	175	DO-204AC (DO-15)
SA6.5CA	Bidirectional	500	7.22	7.98	6.5	400	175	DO-204AC (DO-15)
SA6.5C	Bidirectional	500	7.22	8.82	6.5	400	175	DO-204AC (DO-15)
SA7.0CA	Bidirectional	500	7.78	8.6	7	150	175	DO-204AC (DO-15)
SA7.0C	Bidirectional	500	7.78	9.51	7	150	175	DO-204AC (DO-15)
SA7.5CA	Bidirectional	500	8.33	9.21	7.5	50	175	DO-204AC (DO-15)
SA7.5C	Bidirectional	500	8.33	10.2	7.5	50	175	DO-204AC (DO-15)
SA8.0CA	Bidirectional	500	8.89	9.83	8	25	175	DO-204AC (DO-15)
SA8.0C	Bidirectional	500	8.89	10.9	8	25	175	DO-204AC (DO-15)
SA8.5CA	Bidirectional	500	9.44	10.4	8.5	10	175	DO-204AC (DO-15)
SA8.5C ●	Bidirectional	500	9.44	11.5	8.5	10	175	DO-204AC (DO-15)
SA9.0CA ●	Bidirectional	500	10	11.1	9	5	175	DO-204AC (DO-15)
SA9.0C ●	Bidirectional	500	10	12.2	9	5	175	DO-204AC (DO-15)
SA10CA ●	Bidirectional	500	11.1	12.3	10	1	175	DO-204AC (DO-15)
SA10C ●	Bidirectional	500	11.1	13.6	10	1	175	DO-204AC (DO-15)
SA11CA ●	Bidirectional	500	12.2	13.5	11	1	175	DO-204AC (DO-15)

## TVS

(T<sub>A</sub>=25°C unless otherwise noted)

● =AEC-Q qualified

Part Number	Configuration	P <sub>PK</sub> (W)	Breakdown Voltage		VWM(V)	I <sub>R</sub> (μA)	T <sub>J</sub> Max. (°C)	Package Description
			V <sub>BR</sub> Min.(V)	V <sub>BR</sub> Max.(V)				
SA11C ●	Bidirectional	500	12.2	14.9	11	1	175	DO-204AC (DO-15)
SA12CA ●	Bidirectional	500	13.3	14.7	12	1	175	DO-204AC (DO-15)
SA12C ●	Bidirectional	500	13.3	16.3	12	1	175	DO-204AC (DO-15)
SA13CA ●	Bidirectional	500	14.4	15.9	13	1	175	DO-204AC (DO-15)
SA13C ●	Bidirectional	500	14.4	17.6	13	1	175	DO-204AC (DO-15)
SA14CA ●	Bidirectional	500	15.6	17.2	14	1	175	DO-204AC (DO-15)
SA14C ●	Bidirectional	500	15.6	19.1	14	1	175	DO-204AC (DO-15)
SA15CA ●	Bidirectional	500	16.7	18.5	15	1	175	DO-204AC (DO-15)
SA15C ●	Bidirectional	500	16.7	20.4	15	1	175	DO-204AC (DO-15)
SA16CA ●	Bidirectional	500	17.8	19.7	16	1	175	DO-204AC (DO-15)
SA16C ●	Bidirectional	500	17.8	21.8	16	1	175	DO-204AC (DO-15)
SA17CA ●	Bidirectional	500	18.9	20.9	17	1	175	DO-204AC (DO-15)
SA17C ●	Bidirectional	500	18.9	23.1	17	1	175	DO-204AC (DO-15)
SA18CA ●	Bidirectional	500	20	22.1	18	1	175	DO-204AC (DO-15)
SA18C ●	Bidirectional	500	20	24.4	18	1	175	DO-204AC (DO-15)
SA20CA ●	Bidirectional	500	22.2	24.5	20	1	175	DO-204AC (DO-15)
SA20C ●	Bidirectional	500	22.2	27.1	20	1	175	DO-204AC (DO-15)
SA22CA ●	Bidirectional	500	24.4	26.9	22	1	175	DO-204AC (DO-15)
SA22C ●	Bidirectional	500	24.4	29.8	22	1	175	DO-204AC (DO-15)
SA24CA ●	Bidirectional	500	26.7	29.5	24	1	175	DO-204AC (DO-15)
SA24C ●	Bidirectional	500	26.7	32.6	24	1	175	DO-204AC (DO-15)
SA26CA ●	Bidirectional	500	28.9	31.9	26	1	175	DO-204AC (DO-15)
SA26C ●	Bidirectional	500	28.9	35.3	26	1	175	DO-204AC (DO-15)
SA28CA ●	Bidirectional	500	31.1	34.4	28	1	175	DO-204AC (DO-15)
SA28C ●	Bidirectional	500	31.1	38	28	1	175	DO-204AC (DO-15)
SA30CA ●	Bidirectional	500	33.3	36.8	30	1	175	DO-204AC (DO-15)
SA30C ●	Bidirectional	500	33.3	40.7	30	1	175	DO-204AC (DO-15)

Part Number	Configuration	P <sub>PK</sub> (W)	Breakdown Voltage		VWM(V)	I <sub>R</sub> (μA)	T <sub>J</sub> Max. (°C)	Package Description
			V <sub>BR</sub> Min.(V)	V <sub>BR</sub> Max.(V)				
SA33CA ●	Bidirectional	500	36.7	40.6	33	1	175	DO-204AC (DO-15)
SA33C ●	Bidirectional	500	36.7	44.9	33	1	175	DO-204AC (DO-15)
SA36CA ●	Bidirectional	500	40	44.2	36	1	175	DO-204AC (DO-15)
SA36C ●	Bidirectional	500	40	48.9	36	1	175	DO-204AC (DO-15)
SA40CA ●	Bidirectional	500	44.4	49.1	40	1	175	DO-204AC (DO-15)
SA40C ●	Bidirectional	500	44.4	54.3	40	1	175	DO-204AC (DO-15)
SA43CA ●	Bidirectional	500	47.8	52.8	43	1	175	DO-204AC (DO-15)
SA43C ●	Bidirectional	500	47.8	58.4	43	1	175	DO-204AC (DO-15)
SA45CA ●	Bidirectional	500	50	55.3	45	1	175	DO-204AC (DO-15)
SA45C ●	Bidirectional	500	50	61.1	45	1	175	DO-204AC (DO-15)
SA48CA ●	Bidirectional	500	53.3	58.9	48	1	175	DO-204AC (DO-15)
SA48C ●	Bidirectional	500	53.3	65.2	48	1	175	DO-204AC (DO-15)
SA51CA ●	Bidirectional	500	56.7	62.7	51	1	175	DO-204AC (DO-15)
SA51C ●	Bidirectional	500	56.7	69.3	51	1	175	DO-204AC (DO-15)
SA54CA ●	Bidirectional	500	60	66.3	54	1	175	DO-204AC (DO-15)
SA54C ●	Bidirectional	500	60	73.3	54	1	175	DO-204AC (DO-15)
SA58CA ●	Bidirectional	500	64.4	71.2	58	1	175	DO-204AC (DO-15)
SA58C ●	Bidirectional	500	64.4	78.7	58	1	175	DO-204AC (DO-15)
SA60CA ●	Bidirectional	500	66.7	73.7	60	1	175	DO-204AC (DO-15)
SA60C ●	Bidirectional	500	66.7	81.5	60	1	175	DO-204AC (DO-15)
SA64CA ●	Bidirectional	500	71.1	78.6	64	1	175	DO-204AC (DO-15)
SA64C ●	Bidirectional	500	71.1	86.9	64	1	175	DO-204AC (DO-15)
SA70C ●	Bidirectional	500	77.8	95.1	70	1	175	DO-204AC (DO-15)
SA70CA ●	Bidirectional	500	77.8	86	70	1	175	DO-204AC (DO-15)
SA78CA ●	Bidirectional	500	86.7	95.8	78	1	175	DO-204AC (DO-15)
SA78C ●	Bidirectional	500	86.7	103	78	1	175	DO-204AC (DO-15)
SA75CA ●	Bidirectional	500	88.3	92.1	75	1	175	DO-204AC (DO-15)

## TVS

(T<sub>A</sub>=25°C unless otherwise noted)

● =AEC-Q qualified

Part Number	Configuration	P <sub>PK</sub> (W)	Breakdown Voltage		VWM(V)	I <sub>R</sub> (μA)	T <sub>J</sub> Max. (°C)	Package Description
			V <sub>BR</sub> Min.(V)	V <sub>BR</sub> Max.(V)				
SA75C ●	Bidirectional	500	88.3	102	75	1	175	DO-204AC (DO-15)
SA85CA ●	Bidirectional	500	94.4	104	85	1	175	DO-204AC (DO-15)
SA85C ●	Bidirectional	500	94.4	115	85	1	175	DO-204AC (DO-15)
SA90CA ●	Bidirectional	500	100	111	90	1	175	DO-204AC (DO-15)
SA90C ●	Bidirectional	500	100	122	90	1	175	DO-204AC (DO-15)
SA100CA ●	Bidirectional	500	111	123	100	1	175	DO-204AC (DO-15)
SA100C ●	Bidirectional	500	111	136	100	1	175	DO-204AC (DO-15)
SA110CA ●	Bidirectional	500	122	135	110	1	175	DO-204AC (DO-15)
SA110C ●	Bidirectional	500	122	149	110	1	175	DO-204AC (DO-15)
SA120CA ●	Bidirectional	500	133	147	120	1	175	DO-204AC (DO-15)
SA120C ●	Bidirectional	500	133	163	120	1	175	DO-204AC (DO-15)
SA130CA ●	Bidirectional	500	144	159	130	1	175	DO-204AC (DO-15)
SA130C ●	Bidirectional	500	144	176	130	1	175	DO-204AC (DO-15)
SA150CA ●	Bidirectional	500	167	185	150	1	175	DO-204AC (DO-15)
SA150C ●	Bidirectional	500	167	204	150	1	175	DO-204AC (DO-15)
SA160CA ●	Bidirectional	500	178	197	160	1	175	DO-204AC (DO-15)
SA160C ●	Bidirectional	500	178	218	160	1	175	DO-204AC (DO-15)
SA170CA ●	Bidirectional	500	189	209	170	1	175	DO-204AC (DO-15)
SA170C ●	Bidirectional	500	189	231	170	1	175	DO-204AC (DO-15)
P6SMB6.8C	Bidirectional	600	6.12	7.48	5.5	1,000	150	DO-214AA (SMB)
P6SMB6.8CH ●	Bidirectional	600	6.12	7.48	5.5	1000	150	DO-214AA (SMB)
P6KE6.8C ●	Bidirectional	600	6.12	7.48	5.5	1,000	175	DO-204AC (DO-15)
SMBJ5.0CAH ●	Bidirectional	600	6.4	7	5	800	150	DO-214AA (SMB)
SMBJ5.0CA	Bidirectional	600	6.4	7	5	800	150	DO-214AA (SMB)
SMBJ5V0CA	Bidirectional	600	6.4	7	5	800	150	DO-214AA (SMB)
SMBJ5.0CH ●	Bidirectional	600	6.4	7.3	5	800	150	DO-214AA (SMB)
SMBJ5.0C	Bidirectional	600	6.4	7.3	5	800	150	DO-214AA (SMB)

Part Number	Configuration	P <sub>PK</sub> (W)	Breakdown Voltage		VWM(V)	I <sub>R</sub> (μA)	T <sub>J</sub> Max. (°C)	Package Description
			V <sub>BR</sub> Min.(V)	V <sub>BR</sub> Max.(V)				
P6SMB6.8CAH ●	Bidirectional	600	6.45	7.14	5.8	1000	150	DO-214AA (SMB)
P6SMB6.8CA	Bidirectional	600	6.46	7.14	5.8	1,000	150	DO-214AA (SMB)
P6KE6.8CA ●	Bidirectional	600	6.46	7.14	5.8	1,000	175	DO-204AC (DO-15)
P6KE6V8CA	Bidirectional	600	6.46	7.14	5.8	1,000	175	DO-204AC (DO-15)
SMBJ6.0CAH ●	Bidirectional	600	6.67	7.37	6	800	150	DO-214AA (SMB)
SMBJ6.0CA	Bidirectional	600	6.67	7.37	6	800	150	DO-214AA (SMB)
SMBJ6V0CA	Bidirectional	600	6.67	7.37	6	800	150	DO-214AA (SMB)
SMBJ6.0CH ●	Bidirectional	600	6.67	8.15	6	800	150	DO-214AA (SMB)
SMBJ6.0C	Bidirectional	600	6.67	8.15	6	800	150	DO-214AA (SMB)
P6SMB7.5C	Bidirectional	600	6.75	8.25	6.05	500	150	DO-214AA (SMB)
P6SMB7.5CH ●	Bidirectional	600	6.75	8.25	6.05	500	150	DO-214AA (SMB)
P6KE7.5C ●	Bidirectional	600	6.75	8.25	6.05	500	175	DO-204AC (DO-15)
P6SMB7.5CA	Bidirectional	600	7.13	7.88	6.4	500	150	DO-214AA (SMB)
P6SMB7.5CAH ●	Bidirectional	600	7.13	7.88	6.4	500	150	DO-214AA (SMB)
P6KE7.5CA ●	Bidirectional	600	7.13	7.88	6.4	500	175	DO-204AC (DO-15)
P6KE7V5CA	Bidirectional	600	7.13	7.88	6.4	500	175	DO-204AC (DO-15)
SMBJ6.5CAH ●	Bidirectional	600	7.22	7.98	6.5	500	150	DO-214AA (SMB)
SMBJ6.5CA	Bidirectional	600	7.22	7.98	6.5	500	150	DO-214AA (SMB)
SMBJ6V5CA	Bidirectional	600	7.22	7.98	6.5	500	150	DO-214AA (SMB)
SMBJ6.5CH ●	Bidirectional	600	7.22	8.82	6.5	500	150	DO-214AA (SMB)
SMBJ6.5C	Bidirectional	600	7.22	8.82	6.5	500	150	DO-214AA (SMB)
P6SMB8.2C	Bidirectional	600	7.38	9.02	6.63	200	150	DO-214AA (SMB)
P6SMB8.2CH ●	Bidirectional	600	7.38	9.02	6.63	200	150	DO-214AA (SMB)
P6KE8.2C ●	Bidirectional	600	7.38	9.02	6.63	200	175	DO-204AC (DO-15)
SMBJ7.0CAH ●	Bidirectional	600	7.78	8.6	7	200	150	DO-214AA (SMB)
SMBJ7.0CA	Bidirectional	600	7.78	8.6	7	200	150	DO-214AA (SMB)
SMBJ7V0CA	Bidirectional	600	7.78	8.6	7	200	150	DO-214AA (SMB)

## TVS

(T<sub>A</sub>=25°C unless otherwise noted)

● =AEC-Q qualified

Part Number	Configuration	P <sub>PK</sub> (W)	Breakdown Voltage		VWM(V)	I <sub>R</sub> (μA)	T <sub>J</sub> Max. (°C)	Package Description
			V <sub>BR</sub> Min.(V)	V <sub>BR</sub> Max.(V)				
SMBJ7.0CH ●	Bidirectional	600	7.78	9.51	7	200	150	DO-214AA (SMB)
SMBJ7.0C	Bidirectional	600	7.78	9.51	7	200	150	DO-214AA (SMB)
P6SMB8.2CA	Bidirectional	600	7.79	8.61	7.02	200	150	DO-214AA (SMB)
P6SMB8.2CAH ●	Bidirectional	600	7.79	8.61	7.02	200	150	DO-214AA (SMB)
P6KE8.2CA ●	Bidirectional	600	7.79	8.61	7.02	200	175	DO-204AC (DO-15)
P6KE8V2CA	Bidirectional	600	7.79	8.61	7.02	200	175	DO-204AC (DO-15)
P6SMB9.1C	Bidirectional	600	8.19	10.00	7.37	50	150	DO-214AA (SMB)
P6SMB9.1CH ●	Bidirectional	600	8.19	10.00	7.37	50	150	DO-214AA (SMB)
P6KE9.1C ●	Bidirectional	600	8.19	10	7.37	50	175	DO-204AC (DO-15)
SMBJ7.5CAH ●	Bidirectional	600	8.33	9.21	7.5	100	150	DO-214AA (SMB)
SMBJ7.5CA	Bidirectional	600	8.33	9.21	7.5	100	150	DO-214AA (SMB)
SMBJ7V5CA	Bidirectional	600	8.33	9.21	7.5	100	150	DO-214AA (SMB)
SMBJ7.5C	Bidirectional	600	8.33	10.2	7.5	100	150	DO-214AA (SMB)
SMBJ7.5CH ●	Bidirectional	600	8.33	10.3	7.5	100	150	DO-214AA (SMB)
P6SMB9.1CA	Bidirectional	600	8.65	9.55	7.78	50	150	DO-214AA (SMB)
P6SMB9.1CAH ●	Bidirectional	600	8.65	9.55	7.78	50	150	DO-214AA (SMB)
P6KE9.1CA ●	Bidirectional	600	8.65	9.55	7.78	50	175	DO-204AC (DO-15)
P6KE9V1CA	Bidirectional	600	8.65	9.55	7.78	50	175	DO-204AC (DO-15)
SMBJ8.0CAH ●	Bidirectional	600	8.89	9.83	8	50	150	DO-214AA (SMB)
SMBJ8.0CA	Bidirectional	600	8.89	9.83	8	50	150	DO-214AA (SMB)
SMBJ8V0CA	Bidirectional	600	8.89	9.83	8	50	150	DO-214AA (SMB)
SMBJ8.0CH ●	Bidirectional	600	8.89	10.9	8	50	150	DO-214AA (SMB)
SMBJ8.0C	Bidirectional	600	8.89	10.9	8	50	150	DO-214AA (SMB)
P6SMB10C	Bidirectional	600	9.00	11.00	8.1	10	150	DO-214AA (SMB)
P6SMB10CH ●	Bidirectional	600	9.00	11.00	8.1	10	150	DO-214AA (SMB)
P6KE10C ●	Bidirectional	600	9	11	8.1	10	175	DO-204AC (DO-15)
SMBJ8.5CAH ●	Bidirectional	600	9.44	10.4	8.5	10	150	DO-214AA (SMB)

Part Number	Configuration	P <sub>PK</sub> (W)	Breakdown Voltage		VWM(V)	I <sub>R</sub> (μA)	T <sub>J</sub> Max. (°C)	Package Description
			V <sub>BR</sub> Min.(V)	V <sub>BR</sub> Max.(V)				
SMBJ8.5CA	Bidirectional	600	9.44	10.4	8.5	10	150	DO-214AA (SMB)
SMBJ8V5CA	Bidirectional	600	9.44	10.4	8.5	20	150	DO-214AA (SMB)
SMBJ8.5CH ●	Bidirectional	600	9.44	11.5	8.5	10	150	DO-214AA (SMB)
SMBJ8.5C	Bidirectional	600	9.44	11.5	8.5	10	150	DO-214AA (SMB)
P6SMB10CA	Bidirectional	600	9.5	10.5	8.55	10	150	DO-214AA (SMB)
P6SMB10CAH ●	Bidirectional	600	9.5	10.5	8.55	10	150	DO-214AA (SMB)
P6KE10CA ●	Bidirectional	600	9.5	10.5	8.55	10	175	DO-204AC (DO-15)
P6SMB11C	Bidirectional	600	9.90	12.1	8.92	1	150	DO-214AA (SMB)
P6SMB11CH ●	Bidirectional	600	9.90	12.1	8.92	1	150	DO-214AA (SMB)
P6KE11C ●	Bidirectional	600	9.9	12.1	8.92	1	175	DO-204AC (DO-15)
SMBJ9.0CAH ●	Bidirectional	600	10	11.1	9	5	150	DO-214AA (SMB)
SMBJ9.0CA	Bidirectional	600	10	11.1	9	5	150	DO-214AA (SMB)
SMBJ9V0CA	Bidirectional	600	10	11.1	9	10	150	DO-214AA (SMB)
SMBJ9.0CH ●	Bidirectional	600	10	12.2	9	5	150	DO-214AA (SMB)
SMBJ9.0C	Bidirectional	600	10	12.2	9	5	150	DO-214AA (SMB)
P6SMB11CA	Bidirectional	600	10.5	11.6	9.4	1	150	DO-214AA (SMB)
P6SMB11CAH ●	Bidirectional	600	10.5	11.6	9.4	1	150	DO-214AA (SMB)
P6KE11CA ●	Bidirectional	600	10.5	11.6	9.4	1	175	DO-204AC (DO-15)
P6SMB12C	Bidirectional	600	10.8	13.2	9.72	1	150	DO-214AA (SMB)
P6SMB12CH ●	Bidirectional	600	10.8	13.2	9.72	1	150	DO-214AA (SMB)
P6KE12C ●	Bidirectional	600	10.8	13.2	9.72	1	175	DO-204AC (DO-15)
SMBJ10CAH ●	Bidirectional	600	11.1	12.3	10	5	150	DO-214AA (SMB)
SMBJ10CA	Bidirectional	600	11.1	12.3	10	5	150	DO-214AA (SMB)
SMBJ10CH ●	Bidirectional	600	11.1	13.6	10	5	150	DO-214AA (SMB)
SMBJ10C	Bidirectional	600	11.1	13.6	10	5	150	DO-214AA (SMB)
P6SMB12CA	Bidirectional	600	11.4	12.6	10.2	1	150	DO-214AA (SMB)
P6SMB12CAH ●	Bidirectional	600	11.4	12.6	10.2	1	150	DO-214AA (SMB)

## TVS

(T<sub>A</sub>=25°C unless otherwise noted)

● =AEC-Q qualified

Part Number	Configuration	P <sub>PK</sub> (W)	Breakdown Voltage		VWM(V)	I <sub>R</sub> (μA)	T <sub>J</sub> Max. (°C)	Package Description
			V <sub>BR</sub> Min.(V)	V <sub>BR</sub> Max.(V)				
P6KE12CA ●	Bidirectional	600	11.4	12.6	10.2	1	175	DO-204AC (DO-15)
P6SMB13C	Bidirectional	600	11.7	14.3	10.5	1	150	DO-214AA (SMB)
P6SMB13CH ●	Bidirectional	600	11.7	14.3	10.5	1	150	DO-214AA (SMB)
P6KE13C ●	Bidirectional	600	11.7	14.3	10.5	1	175	DO-204AC (DO-15)
SMBJ11CAH ●	Bidirectional	600	12.2	13.5	11	1	150	DO-214AA (SMB)
SMBJ11CA	Bidirectional	600	12.2	13.5	11	1	150	DO-214AA (SMB)
SMBJ11CH ●	Bidirectional	600	12.2	14.9	11	1	150	DO-214AA (SMB)
SMBJ11C	Bidirectional	600	12.2	14.9	11	1	150	DO-214AA (SMB)
P6SMB13CA	Bidirectional	600	12.4	13.7	11.1	1	150	DO-214AA (SMB)
P6SMB13CAH ●	Bidirectional	600	12.4	13.7	11.1	1	150	DO-214AA (SMB)
P6KE13CA ●	Bidirectional	600	12.4	13.7	11.1	1	175	DO-204AC (DO-15)
SMBJ12CAH ●	Bidirectional	600	13.3	14.7	12	1	150	DO-214AA (SMB)
SMBJ12CA	Bidirectional	600	13.3	14.7	12	1	150	DO-214AA (SMB)
SMBJ12CH ●	Bidirectional	600	13.3	16.3	12	1	150	DO-214AA (SMB)
SMBJ12C	Bidirectional	600	13.3	16.3	12	1	150	DO-214AA (SMB)
P6SMB15C	Bidirectional	600	13.5	16.5	12.1	1	150	DO-214AA (SMB)
P6SMB15CH ●	Bidirectional	600	13.5	16.5	12.1	1	150	DO-214AA (SMB)
P6KE15C ●	Bidirectional	600	13.5	16.5	12.1	1	175	DO-204AC (DO-15)
P6SMB15CA	Bidirectional	600	14.3	15.8	12.8	1	150	DO-214AA (SMB)
P6SMB15CAH ●	Bidirectional	600	14.3	15.8	12.8	1	150	DO-214AA (SMB)
P6KE15CA ●	Bidirectional	600	14.3	15.8	12.8	1	175	DO-204AC (DO-15)
BZW06-13B ●	Bidirectional	600	14.3	15.8	12.8	5	175	DO-204AC (DO-15)
SMBJ13CAH ●	Bidirectional	600	14.4	15.9	13	1	150	DO-214AA (SMB)
SMBJ13CA	Bidirectional	600	14.4	15.9	13	1	150	DO-214AA (SMB)
P6SMB16C	Bidirectional	600	14.4	17.6	12.9	1	150	DO-214AA (SMB)
P6SMB16CH ●	Bidirectional	600	14.4	17.6	12.9	1	150	DO-214AA (SMB)
P6KE16C ●	Bidirectional	600	14.4	17.6	12.9	1	175	DO-204AC (DO-15)

Part Number	Configuration	P <sub>PK</sub> (W)	Breakdown Voltage		VWM(V)	I <sub>R</sub> (μA)	T <sub>J</sub> Max. (°C)	Package Description
			V <sub>BR</sub> Min.(V)	V <sub>BR</sub> Max.(V)				
SMBJ13CH ●	Bidirectional	600	14.4	17.6	13	1	150	DO-214AA (SMB)
SMBJ13C	Bidirectional	600	14.4	17.6	13	1	150	DO-214AA (SMB)
P6SMB16CA	Bidirectional	600	15.2	16.8	13.6	1	150	DO-214AA (SMB)
P6SMB16CAH ●	Bidirectional	600	15.2	16.8	13.6	1	150	DO-214AA (SMB)
P6KE16CA ●	Bidirectional	600	15.2	16.8	13.6	1	175	DO-204AC (DO-15)
SMBJ14CAH ●	Bidirectional	600	15.6	17.2	14	1	150	DO-214AA (SMB)
SMBJ14CA	Bidirectional	600	15.6	17.2	14	1	150	DO-214AA (SMB)
SMBJ14CH ●	Bidirectional	600	15.6	19.1	14	1	150	DO-214AA (SMB)
SMBJ14C	Bidirectional	600	15.6	19.1	14	1	150	DO-214AA (SMB)
P6SMB18C	Bidirectional	600	16.2	19.8	14.5	1	150	DO-214AA (SMB)
P6SMB18CH ●	Bidirectional	600	16.2	19.8	14.5	1	150	DO-214AA (SMB)
P6KE18C ●	Bidirectional	600	16.2	19.8	14.5	1	175	DO-204AC (DO-15)
SMBJ15CAH ●	Bidirectional	600	16.7	18.5	15	1	150	DO-214AA (SMB)
SMBJ15CA	Bidirectional	600	16.7	18.5	15	1	150	DO-214AA (SMB)
SMBJ15CH ●	Bidirectional	600	16.7	20.4	15	1	150	DO-214AA (SMB)
SMBJ15C	Bidirectional	600	16.7	20.4	15	1	150	DO-214AA (SMB)
P6SMB18CA	Bidirectional	600	17.1	18.9	15.3	1	150	DO-214AA (SMB)
P6SMB18CAH ●	Bidirectional	600	17.1	18.9	15.3	1	150	DO-214AA (SMB)
BZW06-15B ●	Bidirectional	600	17.1	18.9	15.3	1	175	DO-204AC (DO-15)
P6KE18CA ●	Bidirectional	600	17.1	18.9	15.3	1	175	DO-204AC (DO-15)
SMBJ16CAH ●	Bidirectional	600	17.8	19.7	16	1	150	DO-214AA (SMB)
SMBJ16CA	Bidirectional	600	17.8	19.7	16	1	150	DO-214AA (SMB)
SMBJ16CH ●	Bidirectional	600	17.8	21.8	16	1	150	DO-214AA (SMB)
SMBJ16C	Bidirectional	600	17.8	21.8	16	1	150	DO-214AA (SMB)
P6SMB20C	Bidirectional	600	18	22	16.2	1	150	DO-214AA (SMB)
P6SMB20CH ●	Bidirectional	600	18	22	16.2	1	150	DO-214AA (SMB)
P6KE20C ●	Bidirectional	600	18	22	16.2	1	175	DO-204AC (DO-15)

## TVS

(T<sub>A</sub>=25°C unless otherwise noted)

● =AEC-Q qualified

Part Number	Configuration	P <sub>PK</sub> (W)	Breakdown Voltage		VWM(V)	I <sub>R</sub> (μA)	T <sub>J</sub> Max. (°C)	Package Description
			V <sub>BR</sub> Min.(V)	V <sub>BR</sub> Max.(V)				
SMBJ17CAH ●	Bidirectional	600	18.9	20.9	17	1	150	DO-214AA (SMB)
SMBJ17CA	Bidirectional	600	18.9	20.9	17	1	150	DO-214AA (SMB)
SMBJ17CH ●	Bidirectional	600	18.9	23.1	17	1	150	DO-214AA (SMB)
SMBJ17C	Bidirectional	600	18.9	23.1	17	1	150	DO-214AA (SMB)
P6SMB20CA	Bidirectional	600	19	21	17.1	1	150	DO-214AA (SMB)
P6SMB20CAH ●	Bidirectional	600	19	21	17.1	1	150	DO-214AA (SMB)
P6KE20CA ●	Bidirectional	600	19	21	17.1	1	175	DO-204AC (DO-15)
P6SMB22C	Bidirectional	600	19.8	24.2	17.8	1	150	DO-214AA (SMB)
P6SMB22CH ●	Bidirectional	600	19.8	24.2	17.8	1	150	DO-214AA (SMB)
P6KE22C ●	Bidirectional	600	19.8	24.2	17.8	1	175	DO-204AC (DO-15)
SMBJ18CAH ●	Bidirectional	600	20	22.1	18	1	150	DO-214AA (SMB)
SMBJ18CA	Bidirectional	600	20	22.1	18	1	150	DO-214AA (SMB)
SMBJ18CH ●	Bidirectional	600	20	24.4	18	1	150	DO-214AA (SMB)
SMBJ18C	Bidirectional	600	20	24.4	18	1	150	DO-214AA (SMB)
P6SMB22CA	Bidirectional	600	20.9	23.1	18.8	1	150	DO-214AA (SMB)
P6SMB22CAH ●	Bidirectional	600	20.9	23.1	18.8	1	150	DO-214AA (SMB)
BZW06-19B ●	Bidirectional	600	20.9	23.1	18.8	1	175	DO-204AC (DO-15)
P6KE22CA ●	Bidirectional	600	20.9	23.1	18.8	1	175	DO-204AC (DO-15)
P6SMB24C	Bidirectional	600	21.6	26.4	19.4	1	150	DO-214AA (SMB)
P6SMB24CH ●	Bidirectional	600	21.6	26.4	19.4	1	150	DO-214AA (SMB)
P6KE24C ●	Bidirectional	600	21.6	26.4	19.4	1	175	DO-204AC (DO-15)
SMBJ20CAH ●	Bidirectional	600	22.2	24.5	20	1	150	DO-214AA (SMB)
SMBJ20CA	Bidirectional	600	22.2	24.5	20	1	150	DO-214AA (SMB)
SMBJ20CH ●	Bidirectional	600	22.2	27.1	20	1	150	DO-214AA (SMB)
SMBJ20C	Bidirectional	600	22.2	27.1	20	1	150	DO-214AA (SMB)
P6SMB24CA	Bidirectional	600	22.8	25.2	20.5	1	150	DO-214AA (SMB)
P6SMB24CAH ●	Bidirectional	600	22.8	25.2	20.5	1	150	DO-214AA (SMB)

Part Number	Configuration	P <sub>PK</sub> (W)	Breakdown Voltage		VWM(V)	I <sub>R</sub> (μA)	T <sub>J</sub> Max. (°C)	Package Description
			V <sub>BR</sub> Min.(V)	V <sub>BR</sub> Max.(V)				
BZW06-20B ●	Bidirectional	600	22.8	25.2	20.5	1	175	DO-204AC (DO-15)
P6KE24CA ●	Bidirectional	600	22.8	25.2	20.5	1	175	DO-204AC (DO-15)
P6SMB27C	Bidirectional	600	24.3	29.7	21.8	1	150	DO-214AA (SMB)
P6SMB27CH ●	Bidirectional	600	24.3	29.7	21.8	1	150	DO-214AA (SMB)
P6KE27C ●	Bidirectional	600	24.3	29.7	21.8	1	175	DO-204AC (DO-15)
SMBJ22CAH ●	Bidirectional	600	24.4	26.9	22	1	150	DO-214AA (SMB)
SMBJ22CA	Bidirectional	600	24.4	26.9	22	1	150	DO-214AA (SMB)
SMBJ22CH ●	Bidirectional	600	24.4	29.8	22	1	150	DO-214AA (SMB)
SMBJ22C	Bidirectional	600	24.4	29.8	22	1	150	DO-214AA (SMB)
P6SMB27CA	Bidirectional	600	25.7	28.4	23.1	1	150	DO-214AA (SMB)
P6SMB27CAH ●	Bidirectional	600	25.7	28.4	23.1	1	150	DO-214AA (SMB)
BZW06-23B ●	Bidirectional	600	25.7	28.4	23.1	1	175	DO-204AC (DO-15)
P6KE27CA ●	Bidirectional	600	25.7	28.4	23.1	1	175	DO-204AC (DO-15)
SMBJ24CAH ●	Bidirectional	600	26.7	29.5	24	1	150	DO-214AA (SMB)
SMBJ24CA	Bidirectional	600	26.7	29.5	24	1	150	DO-214AA (SMB)
SMBJ24CH ●	Bidirectional	600	26.7	32.6	24	1	150	DO-214AA (SMB)
SMBJ24C	Bidirectional	600	26.7	32.6	24	1	150	DO-214AA (SMB)
P6SMB30C	Bidirectional	600	27	33	24.3	1	150	DO-214AA (SMB)
P6SMB30CH ●	Bidirectional	600	27	33	24.3	1	150	DO-214AA (SMB)
P6KE30C ●	Bidirectional	600	27	33	24.3	1	175	DO-204AC (DO-15)
P6SMB30CA	Bidirectional	600	28.5	31.5	25.6	1	150	DO-214AA (SMB)
P6SMB30CAH ●	Bidirectional	600	28.5	31.5	25.6	1	150	DO-214AA (SMB)
BZW06-26B ●	Bidirectional	600	28.5	31.5	25.6	1	175	DO-204AC (DO-15)
P6KE30CA ●	Bidirectional	600	28.5	31.5	25.6	1	175	DO-204AC (DO-15)
SMBJ26CAH ●	Bidirectional	600	28.9	31.9	26	1	150	DO-214AA (SMB)
SMBJ26CA	Bidirectional	600	28.9	31.9	26	1	150	DO-214AA (SMB)
SMBJ26CH ●	Bidirectional	600	28.9	35.3	26	1	150	DO-214AA (SMB)

## TVS

(T<sub>A</sub>=25°C unless otherwise noted)

● =AEC-Q qualified

Part Number	Configuration	P <sub>PK</sub> (W)	Breakdown Voltage		VWM(V)	I <sub>R</sub> (μA)	T <sub>J</sub> Max. (°C)	Package Description
			V <sub>BR</sub> Min.(V)	V <sub>BR</sub> Max.(V)				
SMBJ26C	Bidirectional	600	28.9	35.3	26	1	150	DO-214AA (SMB)
P6SMB33C	Bidirectional	600	29.7	36.3	26.8	1	150	DO-214AA (SMB)
P6SMB33CH ●	Bidirectional	600	29.7	36.3	26.8	1	150	DO-214AA (SMB)
P6KE33C ●	Bidirectional	600	29.7	36.3	26.8	1	175	DO-204AC (DO-15)
SMBJ28CAH ●	Bidirectional	600	31.1	34.4	28	1	150	DO-214AA (SMB)
SMBJ28CA	Bidirectional	600	31.1	34.4	28	1	150	DO-214AA (SMB)
SMBJ28CH ●	Bidirectional	600	31.1	38	28	1	150	DO-214AA (SMB)
SMBJ28C	Bidirectional	600	31.1	38	28	1	150	DO-214AA (SMB)
P6SMB33CA	Bidirectional	600	31.4	34.7	28.2	1	150	DO-214AA (SMB)
P6SMB33CAH ●	Bidirectional	600	31.4	34.7	28.2	1	150	DO-214AA (SMB)
BZW06-28B ●	Bidirectional	600	31.4	34.7	28.2	1	175	DO-204AC (DO-15)
P6KE33CA ●	Bidirectional	600	31.4	34.7	28.2	1	175	DO-204AC (DO-15)
P6SMB36C	Bidirectional	600	32.4	39.6	29.1	1	150	DO-214AA (SMB)
P6SMB36CH ●	Bidirectional	600	32.4	39.6	29.1	1	150	DO-214AA (SMB)
P6KE36C ●	Bidirectional	600	32.4	39.6	29.1	1	175	DO-204AC (DO-15)
SMBJ30CAH ●	Bidirectional	600	33.3	36.8	30	1	150	DO-214AA (SMB)
SMBJ30CA	Bidirectional	600	33.3	36.8	30	1	150	DO-214AA (SMB)
SMBJ30CH ●	Bidirectional	600	33.3	40.7	30	1	150	DO-214AA (SMB)
SMBJ30C	Bidirectional	600	33.3	40.7	30	1	150	DO-214AA (SMB)
P6SMB36CA	Bidirectional	600	34.2	37.8	30.8	1	150	DO-214AA (SMB)
P6SMB36CAH ●	Bidirectional	600	34.2	37.8	30.8	1	150	DO-214AA (SMB)
BZW06-31B ●	Bidirectional	600	34.2	37.8	30.8	1	175	DO-204AC (DO-15)
P6KE36CA ●	Bidirectional	600	34.2	37.8	30.8	1	175	DO-204AC (DO-15)
P6SMB39C	Bidirectional	600	35.1	42.9	31.6	1	150	DO-214AA (SMB)
P6SMB39CH ●	Bidirectional	600	35.1	42.9	31.6	1	150	DO-214AA (SMB)
P6KE39C ●	Bidirectional	600	35.1	42.9	31.6	1	175	DO-204AC (DO-15)
SMBJ33CAH ●	Bidirectional	600	36.7	40.6	33	1	150	DO-214AA (SMB)

Part Number	Configuration	P <sub>PK</sub> (W)	Breakdown Voltage		VWM(V)	I <sub>R</sub> (μA)	T <sub>J</sub> Max. (°C)	Package Description
			V <sub>BR</sub> Min.(V)	V <sub>BR</sub> Max.(V)				
SMBJ33CA	Bidirectional	600	36.7	40.6	33	1	150	DO-214AA (SMB)
SMBJ33CH ●	Bidirectional	600	36.7	44.9	33	1	150	DO-214AA (SMB)
SMBJ33C	Bidirectional	600	36.7	44.9	33	1	150	DO-214AA (SMB)
P6SMB39CA	Bidirectional	600	37.1	41.0	33.3	1	150	DO-214AA (SMB)
P6SMB39CAH ●	Bidirectional	600	37.1	41.0	33.3	1	150	DO-214AA (SMB)
P6KE39CA ●	Bidirectional	600	37.1	41	33.3	1	175	DO-204AC (DO-15)
BZW06-33B ●	Bidirectional	600	37.1	47	33.3	1	175	DO-204AC (DO-15)
P6SMB43C	Bidirectional	600	38.7	47.3	34.8	1	150	DO-214AA (SMB)
P6SMB43CH ●	Bidirectional	600	38.7	47.3	34.8	1	150	DO-214AA (SMB)
P6KE43C ●	Bidirectional	600	38.7	47.3	34.8	1	175	DO-204AC (DO-15)
SMBJ36CAH ●	Bidirectional	600	40	44.2	36	1	150	DO-214AA (SMB)
SMBJ36CA	Bidirectional	600	40	44.2	36	1	150	DO-214AA (SMB)
SMBJ36CH ●	Bidirectional	600	40	48.9	36	1	150	DO-214AA (SMB)
SMBJ36C	Bidirectional	600	40	48.9	36	1	150	DO-214AA (SMB)
P6SMB43CA	Bidirectional	600	40.9	45.2	36.8	1	150	DO-214AA (SMB)
P6SMB43CAH ●	Bidirectional	600	40.9	45.2	36.8	1	150	DO-214AA (SMB)
BZW06-37B ●	Bidirectional	600	40.9	45.2	36.8	1	175	DO-204AC (DO-15)
P6KE43CA ●	Bidirectional	600	40.9	45.2	36.8	1	175	DO-204AC (DO-15)
P6SMB47C	Bidirectional	600	42.3	51.7	38.1	1	150	DO-214AA (SMB)
P6SMB47CH ●	Bidirectional	600	42.3	51.7	38.1	1	150	DO-214AA (SMB)
P6KE47C ●	Bidirectional	600	42.3	51.7	38.1	1	175	DO-204AC (DO-15)
SMBJ40CAH ●	Bidirectional	600	44.4	49.1	40	1	150	DO-214AA (SMB)
SMBJ40CA	Bidirectional	600	44.4	49.1	40	1	150	DO-214AA (SMB)
SMBJ40CH ●	Bidirectional	600	44.4	54.3	40	1	150	DO-214AA (SMB)
SMBJ40C	Bidirectional	600	44.4	54.3	40	1	150	DO-214AA (SMB)
P6SMB47CA	Bidirectional	600	44.7	49.4	40.2	1	150	DO-214AA (SMB)
P6SMB47CAH ●	Bidirectional	600	44.7	49.4	40.2	1	150	DO-214AA (SMB)



## TVS

(T<sub>A</sub>=25°C unless otherwise noted)

● =AEC-Q qualified

Part Number	Configuration	P <sub>PK</sub> (W)	Breakdown Voltage		VWM(V)	I <sub>R</sub> (μA)	T <sub>J</sub> Max. (°C)	Package Description
			V <sub>BR</sub> Min.(V)	V <sub>BR</sub> Max.(V)				
BZW06-40B ●	Bidirectional	600	44.7	49.4	40.2	1	175	DO-204AC (DO-15)
P6KE47CA ●	Bidirectional	600	44.7	49.4	40.2	1	175	DO-204AC (DO-15)
P6SMB51C	Bidirectional	600	45.9	56.1	41.3	1	150	DO-214AA (SMB)
P6SMB51CH ●	Bidirectional	600	45.9	56.1	41.3	1	150	DO-214AA (SMB)
P6KE51C ●	Bidirectional	600	45.9	56.1	41.3	1	175	DO-204AC (DO-15)
SMBJ43CAH ●	Bidirectional	600	47.8	52.8	43	1	150	DO-214AA (SMB)
SMBJ43CA	Bidirectional	600	47.8	52.8	43	1	150	DO-214AA (SMB)
SMBJ43CH ●	Bidirectional	600	47.8	58.4	43	1	150	DO-214AA (SMB)
SMBJ43C	Bidirectional	600	47.8	58.4	43	1	150	DO-214AA (SMB)
P6SMB51CA	Bidirectional	600	48.5	53.6	43.6	1	150	DO-214AA (SMB)
P6SMB51CAH ●	Bidirectional	600	48.5	53.6	43.6	1	150	DO-214AA (SMB)
P6KE51CA ●	Bidirectional	600	48.5	53.6	43.6	1	175	DO-204AC (DO-15)
SMBJ45CAH ●	Bidirectional	600	50	55.3	45	1	150	DO-214AA (SMB)
SMBJ45CA	Bidirectional	600	50	55.3	45	1	150	DO-214AA (SMB)
SMBJ45CH ●	Bidirectional	600	50	61.1	45	1	150	DO-214AA (SMB)
SMBJ45C	Bidirectional	600	50	61.1	45	1	150	DO-214AA (SMB)
P6SMB56C	Bidirectional	600	50.4	61.6	45.4	1	150	DO-214AA (SMB)
P6SMB56CH ●	Bidirectional	600	50.4	61.6	45.4	1	150	DO-214AA (SMB)
P6KE56C ●	Bidirectional	600	50.4	61.6	45.4	1	175	DO-204AC (DO-15)
P6SMB56CA	Bidirectional	600	53.2	58.8	47.8	1	150	DO-214AA (SMB)
P6SMB56CAH ●	Bidirectional	600	53.2	58.8	47.8	1	150	DO-214AA (SMB)
BZW06-48B ●	Bidirectional	600	53.2	58.8	47.8	1	175	DO-204AC (DO-15)
P6KE56CA ●	Bidirectional	600	53.2	58.8	47.8	1	175	DO-204AC (DO-15)
SMBJ48CAH ●	Bidirectional	600	53.3	58.9	48	1	150	DO-214AA (SMB)
SMBJ48CA	Bidirectional	600	53.3	58.9	48	1	150	DO-214AA (SMB)
SMBJ48CH ●	Bidirectional	600	53.3	65.2	48	1	150	DO-214AA (SMB)
SMBJ48C	Bidirectional	600	53.3	65.2	48	1	150	DO-214AA (SMB)

Part Number	Configuration	P <sub>PK</sub> (W)	Breakdown Voltage		VWM(V)	I <sub>R</sub> (μA)	T <sub>J</sub> Max. (°C)	Package Description
			V <sub>BR</sub> Min.(V)	V <sub>BR</sub> Max.(V)				
P6SMB62C	Bidirectional	600	55.8	68.2	50.2	1	150	DO-214AA (SMB)
P6SMB62CH ●	Bidirectional	600	55.8	68.2	50.2	1	150	DO-214AA (SMB)
P6KE62C ●	Bidirectional	600	55.8	68.2	50.2	1	175	DO-204AC (DO-15)
SMBJ51CAH ●	Bidirectional	600	56.7	62.7	51	1	150	DO-214AA (SMB)
SMBJ51CA	Bidirectional	600	56.7	62.7	51	1	150	DO-214AA (SMB)
SMBJ51CH ●	Bidirectional	600	56.7	69.3	51	1	150	DO-214AA (SMB)
SMBJ51C	Bidirectional	600	56.7	69.3	51	1	150	DO-214AA (SMB)
P6SMB62CA	Bidirectional	600	58.9	65.1	53	1	150	DO-214AA (SMB)
P6SMB62CAH ●	Bidirectional	600	58.9	65.1	53	1	150	DO-214AA (SMB)
P6KE62CA ●	Bidirectional	600	58.9	65.1	53	1	175	DO-204AC (DO-15)
SMBJ54CAH ●	Bidirectional	600	60	66.3	54	1	150	DO-214AA (SMB)
SMBJ54CA	Bidirectional	600	60	66.3	54	1	150	DO-214AA (SMB)
SMBJ54CH ●	Bidirectional	600	60	73.3	54	1	150	DO-214AA (SMB)
SMBJ54C	Bidirectional	600	60	73.3	54	1	150	DO-214AA (SMB)
P6SMB68C	Bidirectional	600	61.2	74.8	55.1	1	150	DO-214AA (SMB)
P6SMB68CH ●	Bidirectional	600	61.2	74.8	55.1	1	150	DO-214AA (SMB)
P6KE68C ●	Bidirectional	600	61.2	74.8	55.1	1	175	DO-204AC (DO-15)
SMBJ58CAH ●	Bidirectional	600	64.4	71.2	58	1	150	DO-214AA (SMB)
SMBJ58CA	Bidirectional	600	64.4	71.2	58	1	150	DO-214AA (SMB)
SMBJ58CH ●	Bidirectional	600	64.4	78.7	58	1	150	DO-214AA (SMB)
SMBJ58C	Bidirectional	600	64.4	78.7	58	1	150	DO-214AA (SMB)
P6SMB68CA	Bidirectional	600	64.6	71.4	58.1	1	150	DO-214AA (SMB)
P6SMB68CAH ●	Bidirectional	600	64.6	71.4	58.1	1	150	DO-214AA (SMB)
BZW06-58B ●	Bidirectional	600	64.6	71.4	58.1	1	175	DO-204AC (DO-15)
P6KE68CA ●	Bidirectional	600	64.6	71.4	58.1	1	175	DO-204AC (DO-15)
SMBJ60CAH ●	Bidirectional	600	66.7	73.7	60	1	150	DO-214AA (SMB)
SMBJ60CA	Bidirectional	600	66.7	73.7	60	1	150	DO-214AA (SMB)

## TVS

(T<sub>A</sub>=25°C unless otherwise noted)

● =AEC-Q qualified

Part Number	Configuration	P <sub>PK</sub> (W)	Breakdown Voltage		VWM(V)	I <sub>R</sub> (μA)	T <sub>J</sub> Max. (°C)	Package Description
			V <sub>BR</sub> Min.(V)	V <sub>BR</sub> Max.(V)				
SMBJ60CH ●	Bidirectional	600	66.7	81.5	60	1	150	DO-214AA (SMB)
SMBJ60C	Bidirectional	600	66.7	81.5	60	1	150	DO-214AA (SMB)
P6SMB75C	Bidirectional	600	67.5	82.5	60.7	1	150	DO-214AA (SMB)
P6SMB75CH ●	Bidirectional	600	67.5	82.5	60.7	1	150	DO-214AA (SMB)
P6KE75C ●	Bidirectional	600	67.5	82.5	60.7	1	175	DO-204AC (DO-15)
SMBJ64CAH ●	Bidirectional	600	71.1	78.6	64	1	150	DO-214AA (SMB)
SMBJ64CA	Bidirectional	600	71.1	78.6	64	1	150	DO-214AA (SMB)
SMBJ64CH ●	Bidirectional	600	71.1	86.9	64	1	150	DO-214AA (SMB)
SMBJ64C	Bidirectional	600	71.1	86.9	64	1	150	DO-214AA (SMB)
P6SMB75CA	Bidirectional	600	71.3	78.8	64.1	1	150	DO-214AA (SMB)
P6SMB75CAH ●	Bidirectional	600	71.3	78.8	64.1	1	150	DO-214AA (SMB)
P6KE75CA ●	Bidirectional	600	71.3	78.8	64.1	1	175	DO-204AC (DO-15)
P6SMB82C	Bidirectional	600	73.8	90.2	66.4	1	150	DO-214AA (SMB)
P6SMB82CH ●	Bidirectional	600	73.8	90.2	66.4	1	150	DO-214AA (SMB)
P6KE82C ●	Bidirectional	600	73.8	90.2	66.4	1	175	DO-204AC (DO-15)
SMBJ70CAH ●	Bidirectional	600	77.8	86	70	1	150	DO-214AA (SMB)
SMBJ70CA	Bidirectional	600	77.8	86	70	1	150	DO-214AA (SMB)
SMBJ70CH ●	Bidirectional	600	77.8	95.1	70	1	150	DO-214AA (SMB)
SMBJ70C	Bidirectional	600	77.8	95.1	70	1	150	DO-214AA (SMB)
P6SMB82CA	Bidirectional	600	77.9	86.1	70.1	1	150	DO-214AA (SMB)
P6SMB82CAH ●	Bidirectional	600	77.9	86.1	70.1	1	150	DO-214AA (SMB)
BZW06-70B ●	Bidirectional	600	77.9	86.1	70.1	1	175	DO-204AC (DO-15)
P6KE82CA ●	Bidirectional	600	77.9	86.1	70.1	1	175	DO-204AC (DO-15)
P6SMB91C	Bidirectional	600	81.9	100	73.7	1	150	DO-214AA (SMB)
P6SMB91CH ●	Bidirectional	600	81.9	100	73.7	1	150	DO-214AA (SMB)
P6KE91C ●	Bidirectional	600	81.9	100	73.7	1	175	DO-204AC (DO-15)
SMBJ75CAH ●	Bidirectional	600	83.3	92.1	75	1	150	DO-214AA (SMB)

Part Number	Configuration	P <sub>PK</sub> (W)	Breakdown Voltage		VWM(V)	I <sub>R</sub> (μA)	T <sub>J</sub> Max. (°C)	Package Description
			V <sub>BR</sub> Min.(V)	V <sub>BR</sub> Max.(V)				
SMBJ75CA	Bidirectional	600	83.3	92.1	75	1	150	DO-214AA (SMB)
SMBJ75CH ●	Bidirectional	600	83.3	102	75	1	150	DO-214AA (SMB)
SMBJ75C	Bidirectional	600	83.3	102	75	1	150	DO-214AA (SMB)
P6SMB91CA	Bidirectional	600	86.45	95.5	77.8	1	150	DO-214AA (SMB)
P6SMB91CAH ●	Bidirectional	600	86.45	95.5	77.8	1	150	DO-214AA (SMB)
P6KE91CA ●	Bidirectional	600	86.5	95.5	77.8	1	175	DO-204AC (DO-15)
SMBJ78CAH ●	Bidirectional	600	86.7	95.8	78	1	150	DO-214AA (SMB)
SMBJ78CA	Bidirectional	600	86.7	95.8	78	1	150	DO-214AA (SMB)
SMBJ78CH ●	Bidirectional	600	86.7	106	78	1	150	DO-214AA (SMB)
SMBJ78C	Bidirectional	600	86.7	106	78	1	150	DO-214AA (SMB)
P6SMB100C	Bidirectional	600	90	110	81	1	150	DO-214AA (SMB)
P6SMB100CH ●	Bidirectional	600	90	110	81	1	150	DO-214AA (SMB)
P6KE100C ●	Bidirectional	600	90	110	81	1	175	DO-204AC (DO-15)
SMBJ85CAH ●	Bidirectional	600	94.4	104	85	1	150	DO-214AA (SMB)
SMBJ85CA	Bidirectional	600	94.4	104	85	1	150	DO-214AA (SMB)
SMBJ85CH ●	Bidirectional	600	94.4	115	85	1	150	DO-214AA (SMB)
SMBJ85C	Bidirectional	600	94.4	115	85	1	150	DO-214AA (SMB)
P6SMB100CA	Bidirectional	600	95	105	85.5	1	150	DO-214AA (SMB)
P6SMB100CAH ●	Bidirectional	600	95	105	85.5	1	150	DO-214AA (SMB)
BZW06-85B ●	Bidirectional	600	95	105	85.5	1	175	DO-204AC (DO-15)
P6KE100CA ●	Bidirectional	600	95	105	85.5	1	175	DO-204AC (DO-15)
P6SMB110C	Bidirectional	600	99	121	89.2	1	150	DO-214AA (SMB)
P6SMB110CH ●	Bidirectional	600	99	121	89.2	1	150	DO-214AA (SMB)
P6KE110C ●	Bidirectional	600	99	121	89.2	1	175	DO-204AC (DO-15)
SMBJ90CAH ●	Bidirectional	600	100	111	90	1	150	DO-214AA (SMB)
SMBJ90CA	Bidirectional	600	100	111	90	1	150	DO-214AA (SMB)
SMBJ90CH ●	Bidirectional	600	100	122	90	1	150	DO-214AA (SMB)

## TVS

(T<sub>A</sub>=25°C unless otherwise noted)

● =AEC-Q qualified

Part Number	Configuration	P <sub>PK</sub> (W)	Breakdown Voltage		VWM(V)	I <sub>R</sub> (μA)	T <sub>J</sub> Max. (°C)	Package Description
			V <sub>BR</sub> Min.(V)	V <sub>BR</sub> Max.(V)				
SMBJ90C	Bidirectional	600	100	122	90	1	150	DO-214AA (SMB)
P6SMB110CA	Bidirectional	600	105	116	94	1	150	DO-214AA (SMB)
P6SMB110CAH ●	Bidirectional	600	105	116	94	1	150	DO-214AA (SMB)
P6KE110CA ●	Bidirectional	600	105	116	94	1	175	DO-204AC (DO-15)
P6SMB120C	Bidirectional	600	108	132	97.2	1	150	DO-214AA (SMB)
P6SMB120CH ●	Bidirectional	600	108	132	97.2	1	150	DO-214AA (SMB)
P6KE120C ●	Bidirectional	600	108	132	97.2	1	175	DO-204AC (DO-15)
SMBJ100CAH ●	Bidirectional	600	111	123	100	1	150	DO-214AA (SMB)
SMBJ100CA	Bidirectional	600	111	123	100	1	150	DO-214AA (SMB)
SMBJ100CH ●	Bidirectional	600	111	136	100	1	150	DO-214AA (SMB)
SMBJ100C	Bidirectional	600	111	136	100	1	150	DO-214AA (SMB)
P6SMB120CA	Bidirectional	600	114	126	102	1	150	DO-214AA (SMB)
P6SMB120CAH ●	Bidirectional	600	114	126	102	1	150	DO-214AA (SMB)
P6KE120CA ●	Bidirectional	600	114	126	102	1	175	DO-204AC (DO-15)
P6SMB130C	Bidirectional	600	117	143	105	1	150	DO-214AA (SMB)
P6SMB130CH ●	Bidirectional	600	117	143	105	1	150	DO-214AA (SMB)
P6KE130C ●	Bidirectional	600	117	143	105	1	175	DO-204AC (DO-15)
SMBJ110CAH ●	Bidirectional	600	122	135	110	1	150	DO-214AA (SMB)
SMBJ110CA	Bidirectional	600	122	135	110	1	150	DO-214AA (SMB)
SMBJ110CH ●	Bidirectional	600	122	149	110	1	150	DO-214AA (SMB)
SMBJ110C	Bidirectional	600	122	149	110	1	150	DO-214AA (SMB)
P6SMB130CA	Bidirectional	600	124	137	111	1	150	DO-214AA (SMB)
P6SMB130CAH ●	Bidirectional	600	124	137	111	1	150	DO-214AA (SMB)
P6KE130CA ●	Bidirectional	600	124	137	111	1	175	DO-204AC (DO-15)
SMBJ120CAH ●	Bidirectional	600	133	147	120	1	150	DO-214AA (SMB)
SMBJ120CA	Bidirectional	600	133	147	120	1	150	DO-214AA (SMB)
SMBJ120CH ●	Bidirectional	600	133	163	120	1	150	DO-214AA (SMB)

Part Number	Configuration	P <sub>PK</sub> (W)	Breakdown Voltage		VWM(V)	I <sub>R</sub> (μA)	T <sub>J</sub> Max. (°C)	Package Description
			V <sub>BR</sub> Min.(V)	V <sub>BR</sub> Max.(V)				
SMBJ120C	Bidirectional	600	133	163	120	1	150	DO-214AA (SMB)
P6SMB150C	Bidirectional	600	135	165	121	1	150	DO-214AA (SMB)
P6SMB150CH ●	Bidirectional	600	135	165	121	1	150	DO-214AA (SMB)
P6KE150C ●	Bidirectional	600	135	165	121	1	175	DO-204AC (DO-15)
P6SMB150CA	Bidirectional	600	143	158	128	1	150	DO-214AA (SMB)
P6SMB150CAH ●	Bidirectional	600	143	158	128	1	150	DO-214AA (SMB)
BZW06-128B ●	Bidirectional	600	143	158	128	1	175	DO-204AC (DO-15)
P6KE150CA ●	Bidirectional	600	143	158	128	1	175	DO-204AC (DO-15)
SMBJ130CAH ●	Bidirectional	600	144	159	130	1	150	DO-214AA (SMB)
SMBJ130CA	Bidirectional	600	144	159	130	1	150	DO-214AA (SMB)
P6SMB160C	Bidirectional	600	144	176	130	1	150	DO-214AA (SMB)
P6SMB160CH ●	Bidirectional	600	144	176	130	1	150	DO-214AA (SMB)
SMBJ130CH ●	Bidirectional	600	144	176	130	1	150	DO-214AA (SMB)
SMBJ130C	Bidirectional	600	144	176	130	1	150	DO-214AA (SMB)
P6KE160C ●	Bidirectional	600	144	176	130	1	175	DO-204AC (DO-15)
P6SMB160CA	Bidirectional	600	152	168	136	1	150	DO-214AA (SMB)
P6SMB160CAH ●	Bidirectional	600	152	168	136	1	150	DO-214AA (SMB)
P6KE160CA ●	Bidirectional	600	152	168	136	1	175	DO-204AC (DO-15)
P6SMB170C	Bidirectional	600	153	187	138	1	150	DO-214AA (SMB)
P6SMB170CH ●	Bidirectional	600	153	187	138	1	150	DO-214AA (SMB)
P6KE170C ●	Bidirectional	600	153	187	138	1	175	DO-204AC (DO-15)
P6SMB170CA	Bidirectional	600	162	179	145	1	150	DO-214AA (SMB)
P6SMB170CAH ●	Bidirectional	600	162	179	145	1	150	DO-214AA (SMB)
P6KE170CA ●	Bidirectional	600	162	179	145	1	175	DO-204AC (DO-15)
P6SMB180C	Bidirectional	600	162	198	146	1	150	DO-214AA (SMB)
P6SMB180CH ●	Bidirectional	600	162	198	146	1	150	DO-214AA (SMB)
P6KE180C ●	Bidirectional	600	162	198	146	1	175	DO-204AC (DO-15)

## TVS

(T<sub>A</sub>=25°C unless otherwise noted)

● =AEC-Q qualified

Part Number	Configuration	P <sub>PK</sub> (W)	Breakdown Voltage		VWM(V)	I <sub>R</sub> (μA)	T <sub>J</sub> Max. (°C)	Package Description
			V <sub>BR</sub> Min.(V)	V <sub>BR</sub> Max.(V)				
SMBJ150CAH ●	Bidirectional	600	167	185	150	1	150	DO-214AA (SMB)
SMBJ150CA	Bidirectional	600	167	185	150	1	150	DO-214AA (SMB)
SMBJ150CH ●	Bidirectional	600	167	204	150	1	150	DO-214AA (SMB)
SMBJ150C	Bidirectional	600	167	204	150	1	150	DO-214AA (SMB)
P6SMB180CA	Bidirectional	600	171	189	154	1	150	DO-214AA (SMB)
P6SMB180CAH ●	Bidirectional	600	171	189	154	1	150	DO-214AA (SMB)
BZW06-154B ●	Bidirectional	600	171	189	154	1	175	DO-204AC (DO-15)
P6KE180CA ●	Bidirectional	600	171	189	154	1	175	DO-204AC (DO-15)
SMBJ160CAH ●	Bidirectional	600	178	197	160	1	150	DO-214AA (SMB)
SMBJ160CA	Bidirectional	600	178	197	160	1	150	DO-214AA (SMB)
SMBJ160CH ●	Bidirectional	600	178	218	160	1	150	DO-214AA (SMB)
SMBJ160C	Bidirectional	600	178	218	160	1	150	DO-214AA (SMB)
P6SMB200C	Bidirectional	600	180	220	162	1	150	DO-214AA (SMB)
P6SMB200CH ●	Bidirectional	600	180	220	162	1	150	DO-214AA (SMB)
P6KE200C ●	Bidirectional	600	180	220	162	1	175	DO-204AC (DO-15)
SMBJ170CAH ●	Bidirectional	600	189	209	170	1	150	DO-214AA (SMB)
SMBJ170CA	Bidirectional	600	189	209	170	1	150	DO-214AA (SMB)
SMBJ170CH ●	Bidirectional	600	189	231	170	1	150	DO-214AA (SMB)
SMBJ170C	Bidirectional	600	189	231	170	1	150	DO-214AA (SMB)
P6SMB200CA	Bidirectional	600	190	210	171	1	150	DO-214AA (SMB)
P6SMB200CAH ●	Bidirectional	600	190	210	171	1	150	DO-214AA (SMB)
BZW06-171B ●	Bidirectional	600	190	210	171	1	175	DO-204AC (DO-15)
P6KE200CA ●	Bidirectional	600	190	210	171	1	175	DO-204AC (DO-15)
P6SMB220C	Bidirectional	600	198	242	175	1	150	DO-214AA (SMB)
P6SMB220CH ●	Bidirectional	600	198	242	175	1	150	DO-214AA (SMB)
P6KE220C ●	Bidirectional	600	198	242	175	1	175	DO-204AC (DO-15)
P6SMB220CA	Bidirectional	600	209	231	185	1	150	DO-214AA (SMB)

Part Number	Configuration	P <sub>PK</sub> (W)	Breakdown Voltage		VWM(V)	I <sub>R</sub> (μA)	T <sub>J</sub> Max. (°C)	Package Description
			V <sub>BR</sub> Min.(V)	V <sub>BR</sub> Max.(V)				
P6SMB220CAH ●	Bidirectional	600	209	231	185	1	150	DO-214AA (SMB)
P6KE220CA ●	Bidirectional	600	209	231	185	1	175	DO-204AC (DO-15)
BZW06-188B ●	Bidirectional	600	209	231	188	1	175	DO-204AC (DO-15)
P6KE250C ●	Bidirectional	600	225	275	202	1	175	DO-204AC (DO-15)
BZW06-213B ●	Bidirectional	600	237	263	213	1	175	DO-204AC (DO-15)
P6KE250CA ●	Bidirectional	600	237	263	214	1	175	DO-204AC (DO-15)
P6KE300C ●	Bidirectional	600	270	330	243	1	175	DO-204AC (DO-15)
BZW06-256B ●	Bidirectional	600	285	315	256	1	175	DO-204AC (DO-15)
P6KE300CA ●	Bidirectional	600	285	315	256	1	175	DO-204AC (DO-15)
BZW06-273B ●	Bidirectional	600	304	336	273	1	175	DO-204AC (DO-15)
P6KE350C ●	Bidirectional	600	315	385	284	1	175	DO-204AC (DO-15)
BZW06-299B ●	Bidirectional	600	332	368	299	1	175	DO-204AC (DO-15)
P6KE350CA ●	Bidirectional	600	333	368	300	1	175	DO-204AC (DO-15)
P6KE400C ●	Bidirectional	600	360	440	324	1	175	DO-204AC (DO-15)
BZW06-342B ●	Bidirectional	600	380	420	342	1	175	DO-204AC (DO-15)
P6KE400CA ●	Bidirectional	600	380	420	342	1	175	DO-204AC (DO-15)
P6KE440C ●	Bidirectional	600	396	484	356	1	175	DO-204AC (DO-15)
BZW06-376B ●	Bidirectional	600	418	462	376	1	175	DO-204AC (DO-15)
P6KE440CA ●	Bidirectional	600	418	462	376	1	175	DO-204AC (DO-15)
1KSMB10CA	Bidirectional	1000	9.5	10.5	8.6	10	175	DO-214AA (SMB)
1KSMB10CAH ●	Bidirectional	1000	9.5	10.5	8.6	10	175	DO-214AA (SMB)
SMB10J9.0CA	Bidirectional	1000	10	11.1	9	10	175	DO-214AA (SMB)
SMB10J9.0CAH ●	Bidirectional	1000	10	11.1	9	10	175	DO-214AA (SMB)
1KSMB11CA	Bidirectional	1000	10.5	11.6	9.4	5	175	DO-214AA (SMB)
1KSMB11CAH ●	Bidirectional	1000	10.5	11.6	9.4	5	175	DO-214AA (SMB)
SMB10J10CA	Bidirectional	1000	11.1	12.3	10	8	175	DO-214AA (SMB)
SMB10J10CAH ●	Bidirectional	1000	11.1	12.3	10	8	175	DO-214AA (SMB)

## TVS

(T<sub>A</sub>=25°C unless otherwise noted)

● =AEC-Q qualified

Part Number	Configuration	P <sub>PK</sub> (W)	Breakdown Voltage		VWM(V)	I <sub>R</sub> (μA)	T <sub>J</sub> Max. (°C)	Package Description
			V <sub>BR</sub> Min.(V)	V <sub>BR</sub> Max.(V)				
1KSMB12CA	Bidirectional	1000	11.4	12.6	10.2	5	175	DO-214AA (SMB)
1KSMB12CAH ●	Bidirectional	1000	11.4	12.6	10.2	5	175	DO-214AA (SMB)
SMB10J11CA	Bidirectional	1000	12.2	13.5	11	5	175	DO-214AA (SMB)
SMB10J11CAH ●	Bidirectional	1000	12.2	13.5	11	5	175	DO-214AA (SMB)
1KSMB13CA	Bidirectional	1000	12.4	13.7	11.1	5	175	DO-214AA (SMB)
1KSMB13CAH ●	Bidirectional	1000	12.4	13.7	11.1	5	175	DO-214AA (SMB)
SMB10J12CA	Bidirectional	1000	13.3	14.7	12	5	175	DO-214AA (SMB)
SMB10J12CAH ●	Bidirectional	1000	13.3	14.7	12	5	175	DO-214AA (SMB)
1KSMB15CA	Bidirectional	1000	14.3	15.8	12.8	5	175	DO-214AA (SMB)
1KSMB15CAH ●	Bidirectional	1000	14.3	15.8	12.8	5	175	DO-214AA (SMB)
SMB10J13CA	Bidirectional	1000	14.4	15.9	13	5	175	DO-214AA (SMB)
SMB10J13CAH ●	Bidirectional	1000	14.4	15.9	13	5	175	DO-214AA (SMB)
1KSMB16CA	Bidirectional	1000	15.2	16.8	13.6	1	175	DO-214AA (SMB)
1KSMB16CAH ●	Bidirectional	1000	15.2	16.8	13.6	1	175	DO-214AA (SMB)
SMB10J14CA	Bidirectional	1000	15.6	17.2	14	5	175	DO-214AA (SMB)
SMB10J14CAH ●	Bidirectional	1000	15.6	17.2	14	5	175	DO-214AA (SMB)
SMB10J15CA	Bidirectional	1000	16.7	18.5	15	1	175	DO-214AA (SMB)
SMB10J15CAH ●	Bidirectional	1000	16.7	18.5	15	1	175	DO-214AA (SMB)
1KSMB18CA	Bidirectional	1000	17.1	18.9	15.3	1	175	DO-214AA (SMB)
1KSMB18CAH ●	Bidirectional	1000	17.1	18.9	15.3	1	175	DO-214AA (SMB)
SMB10J16CA	Bidirectional	1000	17.8	19.7	16	1	175	DO-214AA (SMB)
SMB10J16CAH ●	Bidirectional	1000	17.8	19.7	16	1	175	DO-214AA (SMB)
SMB10J17CA	Bidirectional	1000	18.9	20.9	17	1	175	DO-214AA (SMB)
SMB10J17CAH ●	Bidirectional	1000	18.9	20.9	17	1	175	DO-214AA (SMB)
1KSMB20CA	Bidirectional	1000	19	21	17.1	1	175	DO-214AA (SMB)
1KSMB20CAH ●	Bidirectional	1000	19	21	17.1	1	175	DO-214AA (SMB)
SMB10J18CA	Bidirectional	1000	20	22.1	18	1	175	DO-214AA (SMB)

Part Number	Configuration	P <sub>PK</sub> (W)	Breakdown Voltage		VWM(V)	I <sub>R</sub> (μA)	T <sub>J</sub> Max. (°C)	Package Description
			V <sub>BR</sub> Min.(V)	V <sub>BR</sub> Max.(V)				
SMB10J18CAH ●	Bidirectional	1000	20	22.1	18	1	175	DO-214AA (SMB)
1KSMB22CA	Bidirectional	1000	20.9	23.1	18.8	1	175	DO-214AA (SMB)
1KSMB22CAH ●	Bidirectional	1000	20.9	23.1	18.8	1	175	DO-214AA (SMB)
SMB10J20CA	Bidirectional	1000	22.2	24.5	20	1	175	DO-214AA (SMB)
SMB10J20CAH ●	Bidirectional	1000	22.2	24.5	20	1	175	DO-214AA (SMB)
1KSMB24CA	Bidirectional	1000	22.8	25.2	20.5	1	175	DO-214AA (SMB)
1KSMB24CAH ●	Bidirectional	1000	22.8	25.2	20.5	1	175	DO-214AA (SMB)
SMB10J22CA	Bidirectional	1000	24.4	26.9	22	1	175	DO-214AA (SMB)
SMB10J22CAH ●	Bidirectional	1000	24.4	26.9	22	1	175	DO-214AA (SMB)
1KSMB27CA	Bidirectional	1000	25.7	28.4	23.1	1	175	DO-214AA (SMB)
1KSMB27CAH ●	Bidirectional	1000	25.7	28.4	23.1	1	175	DO-214AA (SMB)
SMB10J24CA	Bidirectional	1000	26.7	29.5	24	1	175	DO-214AA (SMB)
SMB10J24CAH ●	Bidirectional	1000	26.7	29.5	24	1	175	DO-214AA (SMB)
1KSMB30CA	Bidirectional	1000	28.5	31.5	25.6	1	175	DO-214AA (SMB)
1KSMB30CAH ●	Bidirectional	1000	28.5	31.5	25.6	1	175	DO-214AA (SMB)
SMB10J26CA	Bidirectional	1000	28.9	31.9	26	1	175	DO-214AA (SMB)
SMB10J26CAH ●	Bidirectional	1000	28.9	31.9	26	1	175	DO-214AA (SMB)
SMB10J28CA	Bidirectional	1000	31.1	34.4	28	1	175	DO-214AA (SMB)
SMB10J28CAH ●	Bidirectional	1000	31.1	34.4	28	1	175	DO-214AA (SMB)
1KSMB33CA	Bidirectional	1000	31.4	34.7	28.2	1	175	DO-214AA (SMB)
1KSMB33CAH ●	Bidirectional	1000	31.4	34.7	28.2	1	175	DO-214AA (SMB)
SMB10J30CA	Bidirectional	1000	33.3	36.8	30	1	175	DO-214AA (SMB)
SMB10J30CAH ●	Bidirectional	1000	33.3	36.8	30	1	175	DO-214AA (SMB)
1KSMB36CA	Bidirectional	1000	34.2	37.8	30.8	1	175	DO-214AA (SMB)
1KSMB36CAH ●	Bidirectional	1000	34.2	37.8	30.8	1	175	DO-214AA (SMB)
SMB10J33CA	Bidirectional	1000	36.7	40.6	33	1	175	DO-214AA (SMB)
SMB10J33CAH ●	Bidirectional	1000	36.7	40.6	33	1	175	DO-214AA (SMB)

## TVS

(T<sub>A</sub>=25°C unless otherwise noted)

● =AEC-Q qualified

Part Number	Configuration	P <sub>PK</sub> (W)	Breakdown Voltage		VWM(V)	I <sub>R</sub> (μA)	T <sub>J</sub> Max. (°C)	Package Description
			V <sub>BR</sub> Min.(V)	V <sub>BR</sub> Max.(V)				
1KSMB39CA	Bidirectional	1000	37.1	41	33.3	1	175	DO-214AA (SMB)
1KSMB39CAH ●	Bidirectional	1000	37.1	41	33.3	1	175	DO-214AA (SMB)
SMB10J36CA	Bidirectional	1000	40	44.2	36	1	175	DO-214AA (SMB)
SMB10J36CAH ●	Bidirectional	1000	40	44.2	36	1	175	DO-214AA (SMB)
1KSMB43CA	Bidirectional	1000	40.9	45.2	36.8	1	175	DO-214AA (SMB)
1KSMB43CAH ●	Bidirectional	1000	40.9	45.2	36.8	1	175	DO-214AA (SMB)
SMB10J40CA	Bidirectional	1000	44.4	49.1	40	1	175	DO-214AA (SMB)
SMB10J40CAH ●	Bidirectional	1000	44.4	49.1	40	1	175	DO-214AA (SMB)
1KSMB47CA	Bidirectional	1000	44.7	49.4	40.2	1	175	DO-214AA (SMB)
1KSMB47CAH ●	Bidirectional	1000	44.7	49.4	40.2	1	175	DO-214AA (SMB)
1KSMB51CA	Bidirectional	1000	48.5	53.6	43.6	1	175	DO-214AA (SMB)
1KSMB51CAH ●	Bidirectional	1000	48.5	53.6	43.6	1	175	DO-214AA (SMB)
1KSMB56CA	Bidirectional	1000	53.2	58.8	47.8	1	175	DO-214AA (SMB)
1KSMB56CAH ●	Bidirectional	1000	53.2	58.8	47.8	1	175	DO-214AA (SMB)
1KSMB62CA	Bidirectional	1000	58.9	65.1	53.0	1	175	DO-214AA (SMB)
1KSMB62CAH ●	Bidirectional	1000	58.9	65.1	53.0	1	175	DO-214AA (SMB)
1KSMB68CA	Bidirectional	1000	64.6	71.4	58.1	1	175	DO-214AA (SMB)
1KSMB68CAH ●	Bidirectional	1000	64.6	71.4	58.1	1	175	DO-214AA (SMB)
1KSMB75CA	Bidirectional	1000	71.3	78.8	64.1	1	175	DO-214AA (SMB)
1KSMB75CAH ●	Bidirectional	1000	71.3	78.8	64.1	1	175	DO-214AA (SMB)
1KSMB82CA	Bidirectional	1000	77.9	86.1	70.1	1	175	DO-214AA (SMB)
1KSMB82CAH ●	Bidirectional	1000	77.9	86.1	70.1	1	175	DO-214AA (SMB)
1KSMB91CA	Bidirectional	1000	86.5	95.5	77.8	1	175	DO-214AA (SMB)
1KSMB91CAH ●	Bidirectional	1000	86.5	95.5	77.8	1	175	DO-214AA (SMB)
1KSMB100CA	Bidirectional	1000	95	105	85.5	1	175	DO-214AA (SMB)
1KSMB100CAH ●	Bidirectional	1000	95	105	85.5	1	175	DO-214AA (SMB)
1.5SMC6.8C	Bidirectional	1500	6.12	7.48	5.5	1,000	150	DO-214AB (SMC)

Part Number	Configuration	P <sub>PK</sub> (W)	Breakdown Voltage		VWM(V)	I <sub>R</sub> (μA)	T <sub>J</sub> Max. (°C)	Package Description
			V <sub>BR</sub> Min.(V)	V <sub>BR</sub> Max.(V)				
1.5SMC6.8CH ●	Bidirectional	1500	6.12	7.48	5.5	1,000	150	DO-214AB (SMC)
1.5KE6.8C ●	Bidirectional	1500	6.12	7.48	5.5	1,000	175	DO-201
SMCJ5.0CA	Bidirectional	1500	6.4	7	5	1,000	150	DO-214AB (SMC)
SMCJ5.0CAH ●	Bidirectional	1500	6.4	7	5	1,000	150	DO-214AB (SMC)
SMCJ5V0CA	Bidirectional	1500	6.4	7	5	1,000	150	DO-214AB (SMC)
SMCJ5.0C	Bidirectional	1500	6.4	7.3	5	1,000	150	DO-214AB (SMC)
SMCJ5.0CH ●	Bidirectional	1500	6.4	7.3	5	1,000	150	DO-214AB (SMC)
1V5KE6V8CA	Bidirectional	1500	6.45	7.14	5.8	1,000	175	DO-201
1.5SMC6.8CA	Bidirectional	1500	6.46	7.14	5.8	1,000	150	DO-214AB (SMC)
1.5SMC6.8CAH ●	Bidirectional	1500	6.46	7.14	5.8	1,000	150	DO-214AB (SMC)
1.5KE6.8CA ●	Bidirectional	1500	6.46	7.14	5.8	1,000	175	DO-201
SMCJ6.0CA	Bidirectional	1500	6.67	7.37	6	1,000	150	DO-214AB (SMC)
SMCJ6.0CAH ●	Bidirectional	1500	6.67	7.37	6	1,000	150	DO-214AB (SMC)
SMCJ6V0CA	Bidirectional	1500	6.67	7.37	6	1,000	150	DO-214AB (SMC)
SMCJ6.0C	Bidirectional	1500	6.67	8.15	6	1,000	150	DO-214AB (SMC)
SMCJ6.0CH ●	Bidirectional	1500	6.67	8.15	6	1,000	150	DO-214AB (SMC)
1.5SMC7.5C	Bidirectional	1500	6.75	8.25	6.05	500	150	DO-214AB (SMC)
1.5SMC7.5CH ●	Bidirectional	1500	6.75	8.25	6.05	500	150	DO-214AB (SMC)
1.5KE7.5C ●	Bidirectional	1500	6.75	8.25	6.05	500	175	DO-201
1.5SMC7.5CA	Bidirectional	1500	7.125	7.88	6.4	500	150	DO-214AB (SMC)
1.5SMC7.5CAH ●	Bidirectional	1500	7.125	7.88	6.4	500	150	DO-214AB (SMC)
1.5KE7.5CA ●	Bidirectional	1500	7.13	7.88	6.4	500	175	DO-201
1V5KE7V5CA	Bidirectional	1500	7.13	7.88	6.4	500	175	DO-201
SMCJ6.5CA	Bidirectional	1500	7.22	7.98	6.5	500	150	DO-214AB (SMC)
SMCJ6.5CAH ●	Bidirectional	1500	7.22	7.98	6.5	500	150	DO-214AB (SMC)
SMCJ6V5CA	Bidirectional	1500	7.22	7.98	6.5	500	150	DO-214AB (SMC)
SMCJ6.5C	Bidirectional	1500	7.22	8.82	6.5	500	150	DO-214AB (SMC)

## TVS

(T<sub>A</sub>=25°C unless otherwise noted)

● =AEC-Q qualified

Part Number	Configuration	P <sub>PK</sub> (W)	Breakdown Voltage		VWM(V)	I <sub>R</sub> (μA)	T <sub>J</sub> Max. (°C)	Package Description
			V <sub>BR</sub> Min.(V)	V <sub>BR</sub> Max.(V)				
SMCJ6.5CH ●	Bidirectional	1500	7.22	8.82	6.5	500	150	DO-214AB (SMC)
1.5SMC8.2C	Bidirectional	1500	7.38	9.02	6.63	200	150	DO-214AB (SMC)
1.5SMC8.2CH ●	Bidirectional	1500	7.38	9.02	6.63	200	150	DO-214AB (SMC)
1.5KE8.2C ●	Bidirectional	1500	7.38	9.02	6.63	200	175	DO-201
SMCJ7.0CA	Bidirectional	1500	7.78	8.6	7	200	150	DO-214AB (SMC)
SMCJ7.0CAH ●	Bidirectional	1500	7.78	8.6	7	200	150	DO-214AB (SMC)
SMCJ7V0CA	Bidirectional	1500	7.78	8.6	7	200	150	DO-214AB (SMC)
SMCJ7.0C	Bidirectional	1500	7.78	9.51	7	200	150	DO-214AB (SMC)
SMCJ7.0CH ●	Bidirectional	1500	7.78	9.51	7	200	150	DO-214AB (SMC)
1.5SMC8.2CA	Bidirectional	1500	7.79	8.61	7.02	200	150	DO-214AB (SMC)
1.5SMC8.2CAH ●	Bidirectional	1500	7.79	8.61	7.02	200	150	DO-214AB (SMC)
1.5KE8.2CA ●	Bidirectional	1500	7.79	8.61	7.02	200	175	DO-201
1V5KE8V2CA	Bidirectional	1500	7.79	8.61	7.02	200	175	DO-201
1.5SMC9.1C	Bidirectional	1500	8.19	10.00	7.37	50	150	DO-214AB (SMC)
1.5SMC9.1CH ●	Bidirectional	1500	8.19	10.00	7.37	50	150	DO-214AB (SMC)
1.5KE9.1C ●	Bidirectional	1500	8.19	10	7.37	50	175	DO-201
SMCJ7.5CA	Bidirectional	1500	8.33	9.21	7.5	100	150	DO-214AB (SMC)
SMCJ7.5CAH ●	Bidirectional	1500	8.33	9.21	7.5	100	150	DO-214AB (SMC)
SMCJ7V5CA	Bidirectional	1500	8.33	9.21	7.5	100	150	DO-214AB (SMC)
SMCJ7.5C	Bidirectional	1500	8.33	10.2	7.5	100	150	DO-214AB (SMC)
SMCJ7.5CH ●	Bidirectional	1500	8.33	10.2	7.5	100	150	DO-214AB (SMC)
1.5SMC9.1CA	Bidirectional	1500	8.645	9.55	7.78	50	150	DO-214AB (SMC)
1.5SMC9.1CAH ●	Bidirectional	1500	8.645	9.55	7.78	50	150	DO-214AB (SMC)
1.5KE9.1CA ●	Bidirectional	1500	8.65	9.55	7.78	50	175	DO-201
1V5KE9V1CA	Bidirectional	1500	8.65	9.55	7.78	50	175	DO-201
SMCJ8.0CA	Bidirectional	1500	8.89	9.83	8	50	150	DO-214AB (SMC)
SMCJ8.0CAH ●	Bidirectional	1500	8.89	9.83	8	50	150	DO-214AB (SMC)

Part Number	Configuration	P <sub>PK</sub> (W)	Breakdown Voltage		VWM(V)	I <sub>R</sub> (μA)	T <sub>J</sub> Max. (°C)	Package Description
			V <sub>BR</sub> Min.(V)	V <sub>BR</sub> Max.(V)				
SMCJ8V0CA	Bidirectional	1500	8.89	9.83	8	50	150	DO-214AB (SMC)
SMCJ8.0C	Bidirectional	1500	8.89	10.9	8	50	150	DO-214AB (SMC)
SMCJ8.0CH ●	Bidirectional	1500	8.89	10.9	8	50	150	DO-214AB (SMC)
1.5SMC10C	Bidirectional	1500	9	11	8.1	10	150	DO-214AB (SMC)
1.5SMC10CH ●	Bidirectional	1500	9	11	8.1	10	150	DO-214AB (SMC)
1.5KE10C ●	Bidirectional	1500	9	11	8.1	10	175	DO-201
SMCJ8.5CA	Bidirectional	1500	9.44	10.4	8.5	20	150	DO-214AB (SMC)
SMCJ8.5CAH ●	Bidirectional	1500	9.44	10.4	8.5	20	150	DO-214AB (SMC)
SMCJ8V5CA	Bidirectional	1500	9.44	10.4	8.5	20	150	DO-214AB (SMC)
SMCJ8.5C	Bidirectional	1500	9.44	11.5	8.5	20	150	DO-214AB (SMC)
SMCJ8.5CH ●	Bidirectional	1500	9.44	11.5	8.5	20	150	DO-214AB (SMC)
1.5SMC10CA	Bidirectional	1500	9.5	10.5	8.55	10	150	DO-214AB (SMC)
1.5SMC10CAH ●	Bidirectional	1500	9.5	10.5	8.55	10	150	DO-214AB (SMC)
1.5KE10CA ●	Bidirectional	1500	9.5	10.5	8.55	10	175	DO-201
1V5KE10CA	Bidirectional	1500	9.5	10.5	8.55	10	175	DO-201
1.5SMC11C	Bidirectional	1500	9.9	12.1	8.92	1	150	DO-214AB (SMC)
1.5SMC11CH ●	Bidirectional	1500	9.9	12.1	8.92	1	150	DO-214AB (SMC)
1.5KE11C ●	Bidirectional	1500	9.9	12.1	8.92	1	175	DO-201
SMCJ9.0CA	Bidirectional	1500	10	11.1	9	10	150	DO-214AB (SMC)
SMCJ9.0CAH ●	Bidirectional	1500	10	11.1	9	10	150	DO-214AB (SMC)
SMCJ9V0CA	Bidirectional	1500	10	11.1	9	10	150	DO-214AB (SMC)
SMCJ9.0C	Bidirectional	1500	10	12.2	9	10	150	DO-214AB (SMC)
SMCJ9.0CH ●	Bidirectional	1500	10	12.2	9	10	150	DO-214AB (SMC)
1.5SMC11CA	Bidirectional	1500	10.45	11.6	9.4	1	150	DO-214AB (SMC)
1.5SMC11CAH ●	Bidirectional	1500	10.45	11.6	9.4	1	150	DO-214AB (SMC)
1.5KE11CA ●	Bidirectional	1500	10.5	11.6	9.4	1	175	DO-201
1V5KE11CA	Bidirectional	1500	10.5	11.6	9.4	5	175	DO-201

## TVS

(T<sub>A</sub>=25°C unless otherwise noted)

● =AEC-Q qualified

Part Number	Configuration	P <sub>PK</sub> (W)	Breakdown Voltage		VWM(V)	I <sub>R</sub> (μA)	T <sub>j</sub> Max. (°C)	Package Description
			V <sub>BR</sub> Min.(V)	V <sub>BR</sub> Max.(V)				
1.5SMC12C	Bidirectional	1500	10.8	13.2	9.72	1	150	DO-214AB (SMC)
1.5SMC12CH ●	Bidirectional	1500	10.8	13.2	9.72	1	150	DO-214AB (SMC)
1.5KE12C ●	Bidirectional	1500	10.8	13.2	9.72	1	175	DO-201
SMCJ10CA	Bidirectional	1500	11.1	12.3	10	5	150	DO-214AB (SMC)
SMCJ10CAH ●	Bidirectional	1500	11.1	12.3	10	5	150	DO-214AB (SMC)
SMCJ10C	Bidirectional	1500	11.1	13.6	10	5	150	DO-214AB (SMC)
SMCJ10CH ●	Bidirectional	1500	11.1	13.6	10	5	150	DO-214AB (SMC)
1.5SMC12CA	Bidirectional	1500	11.4	12.6	10.2	1	150	DO-214AB (SMC)
1.5SMC12CAH ●	Bidirectional	1500	11.4	12.6	10.2	1	150	DO-214AB (SMC)
1.5KE12CA ●	Bidirectional	1500	11.4	12.6	10.2	1	175	DO-201
1V5KE12CA	Bidirectional	1500	11.4	12.6	10.2	5	175	DO-201
1.5SMC13C	Bidirectional	1500	11.7	14.3	10.5	1	150	DO-214AB (SMC)
1.5SMC13CH ●	Bidirectional	1500	11.7	14.3	10.5	1	150	DO-214AB (SMC)
1.5KE13C ●	Bidirectional	1500	11.7	14.3	10.5	1	175	DO-201
SMCJ11CA	Bidirectional	1500	12.2	13.5	11	1	150	DO-214AB (SMC)
SMCJ11CAH ●	Bidirectional	1500	12.2	13.5	11	1	150	DO-214AB (SMC)
SMCJ11C	Bidirectional	1500	12.2	14.9	11	1	150	DO-214AB (SMC)
SMCJ11CH ●	Bidirectional	1500	12.2	14.9	11	1	150	DO-214AB (SMC)
1.5SMC13CA	Bidirectional	1500	12.35	13.7	11.1	1	150	DO-214AB (SMC)
1.5SMC13CAH ●	Bidirectional	1500	12.35	13.7	11.1	1	150	DO-214AB (SMC)
1.5KE13CA ●	Bidirectional	1500	12.4	13.7	11.1	1	175	DO-201
1V5KE13CA	Bidirectional	1500	12.4	13.7	11.1	5	175	DO-201
SMCJ12CA	Bidirectional	1500	13.3	14.7	12	1	150	DO-214AB (SMC)
SMCJ12CAH ●	Bidirectional	1500	13.3	14.7	12	1	150	DO-214AB (SMC)
SMCJ12C	Bidirectional	1500	13.3	16.3	12	1	150	DO-214AB (SMC)
SMCJ12CH ●	Bidirectional	1500	13.3	16.3	12	1	150	DO-214AB (SMC)
1.5SMC15C	Bidirectional	1500	13.5	16.5	12.1	1	150	DO-214AB (SMC)

Part Number	Configuration	P <sub>PK</sub> (W)	Breakdown Voltage		VWM(V)	I <sub>R</sub> (μA)	T <sub>j</sub> Max. (°C)	Package Description
			V <sub>BR</sub> Min.(V)	V <sub>BR</sub> Max.(V)				
1.5SMC15CH ●	Bidirectional	1500	13.5	16.5	12.1	1	150	DO-214AB (SMC)
1.5KE15C ●	Bidirectional	1500	13.5	16.5	12.1	1	175	DO-201
1.5SMC15CA	Bidirectional	1500	14.25	15.8	12.8	1	150	DO-214AB (SMC)
1.5SMC15CAH ●	Bidirectional	1500	14.25	15.8	12.8	1	150	DO-214AB (SMC)
1.5KE15CA ●	Bidirectional	1500	14.3	15.8	12.8	1	175	DO-201
1V5KE15CA	Bidirectional	1500	14.3	15.8	12.8	5	175	DO-201
SMCJ13CA	Bidirectional	1500	14.4	15.9	13	1	150	DO-214AB (SMC)
SMCJ13CAH ●	Bidirectional	1500	14.4	15.9	13	1	150	DO-214AB (SMC)
1.5SMC16C	Bidirectional	1500	14.4	17.6	12.9	1	150	DO-214AB (SMC)
1.5SMC16CH ●	Bidirectional	1500	14.4	17.6	12.9	1	150	DO-214AB (SMC)
1.5KE16C ●	Bidirectional	1500	14.4	17.6	12.9	1	175	DO-201
SMCJ13C	Bidirectional	1500	14.4	17.6	13	1	150	DO-214AB (SMC)
SMCJ13CH ●	Bidirectional	1500	14.4	17.6	13	1	150	DO-214AB (SMC)
1.5SMC16CA	Bidirectional	1500	15.2	16.8	13.6	1	150	DO-214AB (SMC)
1.5SMC16CAH ●	Bidirectional	1500	15.2	16.8	13.6	1	150	DO-214AB (SMC)
1.5KE16CA ●	Bidirectional	1500	15.2	16.8	13.6	1	175	DO-201
1V5KE16CA	Bidirectional	1500	15.2	16.8	13.6	5	175	DO-201
SMCJ14CA	Bidirectional	1500	15.6	17.2	14	1	150	DO-214AB (SMC)
SMCJ14CAH ●	Bidirectional	1500	15.6	17.2	14	1	150	DO-214AB (SMC)
SMCJ14C	Bidirectional	1500	15.6	19.1	14	1	150	DO-214AB (SMC)
SMCJ14CH ●	Bidirectional	1500	15.6	19.1	14	1	150	DO-214AB (SMC)
1.5SMC18C	Bidirectional	1500	16.2	19.8	14.5	1	150	DO-214AB (SMC)
1.5SMC18CH ●	Bidirectional	1500	16.2	19.8	14.5	1	150	DO-214AB (SMC)
1.5KE18C ●	Bidirectional	1500	16.2	19.8	14.5	1	175	DO-201
SMCJ15CA	Bidirectional	1500	16.7	18.5	15	1	150	DO-214AB (SMC)
SMCJ15CAH ●	Bidirectional	1500	16.7	18.5	15	1	150	DO-214AB (SMC)
SMCJ15C	Bidirectional	1500	16.7	20.4	15	1	150	DO-214AB (SMC)



## TVS

(T<sub>A</sub>=25°C unless otherwise noted)

● =AEC-Q qualified

Part Number	Configuration	P <sub>PK</sub> (W)	Breakdown Voltage		VWM(V)	I <sub>R</sub> (μA)	T <sub>J</sub> Max. (°C)	Package Description
			V <sub>BR</sub> Min.(V)	V <sub>BR</sub> Max.(V)				
SMCJ15CH ●	Bidirectional	1500	16.7	20.4	15	1	150	DO-214AB (SMC)
1.5SMC18CA	Bidirectional	1500	17.1	18.9	15.3	1	150	DO-214AB (SMC)
1.5SMC18CAH ●	Bidirectional	1500	17.1	18.9	15.3	1	150	DO-214AB (SMC)
1.5KE18CA ●	Bidirectional	1500	17.1	18.9	15.3	1	175	DO-201
1V5KE18CA	Bidirectional	1500	17.1	18.9	15.3	5	175	DO-201
SMCJ16CA	Bidirectional	1500	17.8	19.7	16	1	150	DO-214AB (SMC)
SMCJ16CAH ●	Bidirectional	1500	17.8	19.7	16	1	150	DO-214AB (SMC)
SMCJ16C	Bidirectional	1500	17.8	21.8	16	1	150	DO-214AB (SMC)
SMCJ16CH ●	Bidirectional	1500	17.8	21.8	16	1	150	DO-214AB (SMC)
1.5SMC20C	Bidirectional	1500	18	22	16.2	1	150	DO-214AB (SMC)
1.5SMC20CH ●	Bidirectional	1500	18	22	16.2	1	150	DO-214AB (SMC)
1.5KE20C ●	Bidirectional	1500	18	22	16.2	1	175	DO-201
SMCJ17CA	Bidirectional	1500	18.9	20.9	17	1	150	DO-214AB (SMC)
SMCJ17CAH ●	Bidirectional	1500	18.9	20.9	17	1	150	DO-214AB (SMC)
SMCJ17C	Bidirectional	1500	18.9	23.1	17	1	150	DO-214AB (SMC)
SMCJ17CH ●	Bidirectional	1500	18.9	23.1	17	1	150	DO-214AB (SMC)
1.5SMC20CA	Bidirectional	1500	19	21	17.1	1	150	DO-214AB (SMC)
1.5SMC20CAH ●	Bidirectional	1500	19	21	17.1	1	150	DO-214AB (SMC)
1.5KE20CA ●	Bidirectional	1500	19	21	17.1	1	175	DO-201
1V5KE20CA	Bidirectional	1500	19	21	17.1	5	175	DO-201
1.5SMC22C	Bidirectional	1500	19.8	24.2	17.8	1	150	DO-214AB (SMC)
1.5SMC22CH ●	Bidirectional	1500	19.8	24.2	17.8	1	150	DO-214AB (SMC)
1.5KE22C ●	Bidirectional	1500	19.8	24.2	17.8	1	175	DO-201
SMCJ18CA	Bidirectional	1500	20	22.1	18	1	150	DO-214AB (SMC)
SMCJ18CAH ●	Bidirectional	1500	20	22.1	18	1	150	DO-214AB (SMC)
SMCJ18C	Bidirectional	1500	20	24.4	18	1	150	DO-214AB (SMC)
SMCJ18CH ●	Bidirectional	1500	20	24.4	18	1	150	DO-214AB (SMC)

Part Number	Configuration	P <sub>PK</sub> (W)	Breakdown Voltage		VWM(V)	I <sub>R</sub> (μA)	T <sub>J</sub> Max. (°C)	Package Description
			V <sub>BR</sub> Min.(V)	V <sub>BR</sub> Max.(V)				
1.5SMC22CA	Bidirectional	1500	20.9	23.1	18.8	1	150	DO-214AB (SMC)
1.5SMC22CAH ●	Bidirectional	1500	20.9	23.1	18.8	1	150	DO-214AB (SMC)
1.5KE22CA ●	Bidirectional	1500	20.9	23.1	18.8	1	175	DO-201
1V5KE22CA	Bidirectional	1500	20.9	23.1	18.8	5	175	DO-201
1.5SMC24C	Bidirectional	1500	21.6	26.4	19.4	1	150	DO-214AB (SMC)
1.5SMC24CH ●	Bidirectional	1500	21.6	26.4	19.4	1	150	DO-214AB (SMC)
1.5KE24C ●	Bidirectional	1500	21.6	26.4	19.4	1	175	DO-201
SMCJ20CA	Bidirectional	1500	22.2	24.5	20	1	150	DO-214AB (SMC)
SMCJ20CAH ●	Bidirectional	1500	22.2	24.5	20	1	150	DO-214AB (SMC)
SMCJ20C	Bidirectional	1500	22.2	27.1	20	1	150	DO-214AB (SMC)
SMCJ20CH ●	Bidirectional	1500	22.2	27.1	20	1	150	DO-214AB (SMC)
1.5SMC24CA	Bidirectional	1500	22.8	25.2	20.5	1	150	DO-214AB (SMC)
1.5SMC24CAH ●	Bidirectional	1500	22.8	25.2	20.5	1	150	DO-214AB (SMC)
1.5KE24CA ●	Bidirectional	1500	22.8	25.2	20.5	1	175	DO-201
1V5KE24CA	Bidirectional	1500	22.8	25.2	20.5	5	175	DO-201
1.5SMC27C	Bidirectional	1500	24.3	29.7	21.8	1	150	DO-214AB (SMC)
1.5SMC27CH ●	Bidirectional	1500	24.3	29.7	21.8	1	150	DO-214AB (SMC)
1.5KE27C ●	Bidirectional	1500	24.3	29.7	21.8	1	175	DO-201
SMCJ22CA	Bidirectional	1500	24.4	26.9	22	1	150	DO-214AB (SMC)
SMCJ22CAH ●	Bidirectional	1500	24.4	26.9	22	1	150	DO-214AB (SMC)
SMCJ22C	Bidirectional	1500	24.4	29.8	22	1	150	DO-214AB (SMC)
SMCJ22CH ●	Bidirectional	1500	24.4	29.8	22	1	150	DO-214AB (SMC)
1.5SMC27CA	Bidirectional	1500	25.65	28.4	23.1	1	150	DO-214AB (SMC)
1.5SMC27CAH ●	Bidirectional	1500	25.65	28.4	23.1	1	150	DO-214AB (SMC)
1.5KE27CA ●	Bidirectional	1500	25.7	28.4	23.1	1	175	DO-201
1V5KE27CA	Bidirectional	1500	25.7	28.4	23.1	5	175	DO-201
SMCJ24CA	Bidirectional	1500	26.7	29.5	24	1	150	DO-214AB (SMC)

## TVS

(T<sub>A</sub>=25°C unless otherwise noted)

● =AEC-Q qualified

Part Number	Configuration	P <sub>PK</sub> (W)	Breakdown Voltage		VWM(V)	I <sub>R</sub> (μA)	T <sub>j</sub> Max. (°C)	Package Description
			V <sub>BR</sub> Min.(V)	V <sub>BR</sub> Max.(V)				
SMCJ24CAH ●	Bidirectional	1500	26.7	29.5	24	1	150	DO-214AB (SMC)
SMCJ24C	Bidirectional	1500	26.7	32.6	24	1	150	DO-214AB (SMC)
SMCJ24CH ●	Bidirectional	1500	26.7	32.6	24	1	150	DO-214AB (SMC)
1.5SMC30C	Bidirectional	1500	27	33	24.3	1	150	DO-214AB (SMC)
1.5SMC30CH ●	Bidirectional	1500	27	33	24.3	1	150	DO-214AB (SMC)
1.5KE30C ●	Bidirectional	1500	27	33	24.3	1	175	DO-201
1.5SMC30CA	Bidirectional	1500	28.5	31.5	25.6	1	150	DO-214AB (SMC)
1.5SMC30CAH ●	Bidirectional	1500	28.5	31.5	25.6	1	150	DO-214AB (SMC)
1.5KE30CA ●	Bidirectional	1500	28.5	31.5	25.6	1	175	DO-201
1V5KE30CA	Bidirectional	1500	28.5	31.5	25.6	5	175	DO-201
SMCJ26CA	Bidirectional	1500	28.9	31.9	26	1	150	DO-214AB (SMC)
SMCJ26CAH ●	Bidirectional	1500	28.9	31.9	26	1	150	DO-214AB (SMC)
SMCJ26C	Bidirectional	1500	28.9	35.3	26	1	150	DO-214AB (SMC)
SMCJ26CH ●	Bidirectional	1500	28.9	35.3	26	1	150	DO-214AB (SMC)
1.5SMC33C	Bidirectional	1500	29.7	36.3	26.8	1	150	DO-214AB (SMC)
1.5SMC33CH ●	Bidirectional	1500	29.7	36.3	26.8	1	150	DO-214AB (SMC)
1.5KE33C ●	Bidirectional	1500	29.7	36.3	26.8	1	175	DO-201
SMCJ28CA	Bidirectional	1500	31.1	34.4	28	1	150	DO-214AB (SMC)
SMCJ28CAH ●	Bidirectional	1500	31.1	34.4	28	1	150	DO-214AB (SMC)
SMCJ28C	Bidirectional	1500	31.1	38	28	1	150	DO-214AB (SMC)
SMCJ28CH ●	Bidirectional	1500	31.1	38	28	1	150	DO-214AB (SMC)
1.5SMC33CA	Bidirectional	1500	31.35	34.7	28.2	1	150	DO-214AB (SMC)
1.5SMC33CAH ●	Bidirectional	1500	31.35	34.7	28.2	1	150	DO-214AB (SMC)
1.5KE33CA ●	Bidirectional	1500	31.4	34.7	28.2	1	175	DO-201
1V5KE33CA	Bidirectional	1500	31.4	34.7	28.2	5	175	DO-201
1.5SMC36C	Bidirectional	1500	32.4	39.6	29.1	1	150	DO-214AB (SMC)
1.5SMC36CH ●	Bidirectional	1500	32.4	39.6	29.1	1	150	DO-214AB (SMC)

Part Number	Configuration	P <sub>PK</sub> (W)	Breakdown Voltage		VWM(V)	I <sub>R</sub> (μA)	T <sub>j</sub> Max. (°C)	Package Description
			V <sub>BR</sub> Min.(V)	V <sub>BR</sub> Max.(V)				
1.5KE36C ●	Bidirectional	1500	32.4	39.6	29.1	1	175	DO-201
SMCJ30CA	Bidirectional	1500	33.3	36.8	30	1	150	DO-214AB (SMC)
SMCJ30CAH ●	Bidirectional	1500	33.3	36.8	30	1	150	DO-214AB (SMC)
SMCJ30C	Bidirectional	1500	33.3	40.7	30	1	150	DO-214AB (SMC)
SMCJ30CH ●	Bidirectional	1500	33.3	40.7	30	1	150	DO-214AB (SMC)
1.5SMC36CA	Bidirectional	1500	34.2	37.8	30.8	1	150	DO-214AB (SMC)
1.5SMC36CAH ●	Bidirectional	1500	34.2	37.8	30.8	1	150	DO-214AB (SMC)
1.5KE36CA ●	Bidirectional	1500	34.2	37.8	30.8	1	175	DO-201
1V5KE36CA	Bidirectional	1500	34.2	37.8	30.8	5	175	DO-201
1.5SMC39C	Bidirectional	1500	35.1	42.9	31.6	1	150	DO-214AB (SMC)
1.5SMC39CH ●	Bidirectional	1500	35.1	42.9	31.6	1	150	DO-214AB (SMC)
1.5KE39C ●	Bidirectional	1500	35.1	42.9	31.6	1	175	DO-201
SMCJ33CA	Bidirectional	1500	36.7	40.6	33	1	150	DO-214AB (SMC)
SMCJ33CAH ●	Bidirectional	1500	36.7	40.6	33	1	150	DO-214AB (SMC)
SMCJ33C	Bidirectional	1500	36.7	44.9	33	1	150	DO-214AB (SMC)
SMCJ33CH ●	Bidirectional	1500	36.7	44.9	33	1	150	DO-214AB (SMC)
1.5SMC39CA	Bidirectional	1500	37.05	41.0	33.3	1	150	DO-214AB (SMC)
1.5SMC39CAH ●	Bidirectional	1500	37.05	41.0	33.3	1	150	DO-214AB (SMC)
1.5KE39CA ●	Bidirectional	1500	37.1	41	33.3	1	175	DO-201
1V5KE39CA	Bidirectional	1500	37.1	41	33.3	5	175	DO-201
1.5SMC43C	Bidirectional	1500	38.7	47.3	34.8	1	150	DO-214AB (SMC)
1.5SMC43CH ●	Bidirectional	1500	38.7	47.3	34.8	1	150	DO-214AB (SMC)
1.5KE43C ●	Bidirectional	1500	38.7	47.3	34.8	1	175	DO-201
SMCJ36CA	Bidirectional	1500	40	44.2	36	1	150	DO-214AB (SMC)
SMCJ36CAH ●	Bidirectional	1500	40	44.2	36	1	150	DO-214AB (SMC)
SMCJ36C	Bidirectional	1500	40	48.9	36	1	150	DO-214AB (SMC)
SMCJ36CH ●	Bidirectional	1500	40	48.9	36	1	150	DO-214AB (SMC)

## TVS

(T<sub>A</sub>=25°C unless otherwise noted)

● =AEC-Q qualified

Part Number	Configuration	P <sub>PK</sub> (W)	Breakdown Voltage		VWM(V)	I <sub>R</sub> (μA)	T <sub>J</sub> Max. (°C)	Package Description
			V <sub>BR</sub> Min.(V)	V <sub>BR</sub> Max.(V)				
1.5SMC43CA	Bidirectional	1500	40.85	45.15	36.8	1	150	DO-214AB (SMC)
1.5SMC43CAH ●	Bidirectional	1500	40.85	45.15	36.8	1	150	DO-214AB (SMC)
1.5KE43CA ●	Bidirectional	1500	40.9	45.2	36.8	1	175	DO-201
1V5KE43CA	Bidirectional	1500	40.9	45.2	36.8	5	175	DO-201
1.5SMC47C	Bidirectional	1500	42.3	51.7	38.1	1	150	DO-214AB (SMC)
1.5SMC47CH ●	Bidirectional	1500	42.3	51.7	38.1	1	150	DO-214AB (SMC)
1.5KE47C ●	Bidirectional	1500	42.3	51.7	38.1	1	175	DO-201
SMCJ40CA	Bidirectional	1500	44.4	49.1	40	1	150	DO-214AB (SMC)
SMCJ40CAH ●	Bidirectional	1500	44.4	49.1	40	1	150	DO-214AB (SMC)
SMCJ40C	Bidirectional	1500	44.4	54.3	40	1	150	DO-214AB (SMC)
SMCJ40CH ●	Bidirectional	1500	44.4	54.3	40	1	150	DO-214AB (SMC)
1.5SMC47CA	Bidirectional	1500	44.65	49.4	40.2	1	150	DO-214AB (SMC)
1.5SMC47CAH ●	Bidirectional	1500	44.65	49.4	40.2	1	150	DO-214AB (SMC)
1.5KE47CA ●	Bidirectional	1500	44.7	49.4	40.2	1	175	DO-201
1V5KE47CA	Bidirectional	1500	44.7	49.4	40.2	5	175	DO-201
1.5SMC51C	Bidirectional	1500	45.9	56.1	41.3	1	150	DO-214AB (SMC)
1.5SMC51CH ●	Bidirectional	1500	45.9	56.1	41.3	1	150	DO-214AB (SMC)
1.5KE51C ●	Bidirectional	1500	45.9	56.1	41.3	1	175	DO-201
SMCJ43CA	Bidirectional	1500	47.8	52.8	43	1	150	DO-214AB (SMC)
SMCJ43CAH ●	Bidirectional	1500	47.8	52.8	43	1	150	DO-214AB (SMC)
SMCJ43C	Bidirectional	1500	47.8	58.4	43	1	150	DO-214AB (SMC)
SMCJ43CH ●	Bidirectional	1500	47.8	58.4	43	1	150	DO-214AB (SMC)
1.5SMC51CA	Bidirectional	1500	48.45	53.6	43.6	1	150	DO-214AB (SMC)
1.5SMC51CAH ●	Bidirectional	1500	48.45	53.6	43.6	1	150	DO-214AB (SMC)
1.5KE51CA ●	Bidirectional	1500	48.5	53.6	43.6	1	175	DO-201
1V5KE51CA	Bidirectional	1500	48.5	53.6	43.6	5	175	DO-201
SMCJ45CA	Bidirectional	1500	50	55.3	45	1	150	DO-214AB (SMC)

Part Number	Configuration	P <sub>PK</sub> (W)	Breakdown Voltage		VWM(V)	I <sub>R</sub> (μA)	T <sub>J</sub> Max. (°C)	Package Description
			V <sub>BR</sub> Min.(V)	V <sub>BR</sub> Max.(V)				
SMCJ45CAH ●	Bidirectional	1500	50	55.3	45	1	150	DO-214AB (SMC)
SMCJ45C	Bidirectional	1500	50	61.1	45	1	150	DO-214AB (SMC)
SMCJ45CH ●	Bidirectional	1500	50	61.1	45	1	150	DO-214AB (SMC)
1.5SMC56C	Bidirectional	1500	50.4	61.6	45.4	1	150	DO-214AB (SMC)
1.5SMC56CH ●	Bidirectional	1500	50.4	61.6	45.4	1	150	DO-214AB (SMC)
1.5KE56C ●	Bidirectional	1500	50.4	61.6	45.4	1	175	DO-201
1.5SMC56CA	Bidirectional	1500	53.2	58.8	47.8	1	150	DO-214AB (SMC)
1.5SMC56CAH ●	Bidirectional	1500	53.2	58.8	47.8	1	150	DO-214AB (SMC)
1.5KE56CA ●	Bidirectional	1500	53.2	58.8	47.8	1	175	DO-201
1V5KE56CA	Bidirectional	1500	53.2	58.8	47.8	5	175	DO-201
SMCJ48CA	Bidirectional	1500	53.3	58.9	48	1	150	DO-214AB (SMC)
SMCJ48CAH ●	Bidirectional	1500	53.3	58.9	48	1	150	DO-214AB (SMC)
SMCJ48C	Bidirectional	1500	53.3	65.2	48	1	150	DO-214AB (SMC)
SMCJ48CH ●	Bidirectional	1500	53.3	65.2	48	1	150	DO-214AB (SMC)
1.5SMC62C	Bidirectional	1500	55.8	68.2	50.2	1	150	DO-214AB (SMC)
1.5SMC62CH ●	Bidirectional	1500	55.8	68.2	50.2	1	150	DO-214AB (SMC)
1.5KE62C ●	Bidirectional	1500	55.8	68.2	50.2	1	175	DO-201
SMCJ51CA	Bidirectional	1500	56.7	62.7	51	1	150	DO-214AB (SMC)
SMCJ51CAH ●	Bidirectional	1500	56.7	62.7	51	1	150	DO-214AB (SMC)
SMCJ51C	Bidirectional	1500	56.7	69.3	51	1	150	DO-214AB (SMC)
SMCJ51CH ●	Bidirectional	1500	56.7	69.3	51	1	150	DO-214AB (SMC)
1.5SMC62CA	Bidirectional	1500	58.9	65.1	53	1	150	DO-214AB (SMC)
1.5SMC62CAH ●	Bidirectional	1500	58.9	65.1	53	1	150	DO-214AB (SMC)
1.5KE62CA ●	Bidirectional	1500	58.9	65.1	53	1	175	DO-201
1V5KE62CA	Bidirectional	1500	58.9	65.1	53	5	175	DO-201
SMCJ54CA	Bidirectional	1500	60	66.3	54	1	150	DO-214AB (SMC)
SMCJ54CAH ●	Bidirectional	1500	60	66.3	54	1	150	DO-214AB (SMC)

## TVS

(T<sub>A</sub>=25°C unless otherwise noted)

● =AEC-Q qualified

Part Number	Configuration	P <sub>PK</sub> (W)	Breakdown Voltage		VWM(V)	I <sub>R</sub> (μA)	T <sub>j</sub> Max. (°C)	Package Description
			V <sub>BR</sub> Min.(V)	V <sub>BR</sub> Max.(V)				
SMCJ54C	Bidirectional	1500	60	73.3	54	1	150	DO-214AB (SMC)
SMCJ54CH ●	Bidirectional	1500	60	73.3	54	1	150	DO-214AB (SMC)
1.5SMC68C	Bidirectional	1500	61.2	74.8	55.1	1	150	DO-214AB (SMC)
1.5SMC68CH ●	Bidirectional	1500	61.2	74.8	55.1	1	150	DO-214AB (SMC)
1.5KE68C ●	Bidirectional	1500	61.2	74.8	55.1	1	175	DO-201
SMCJ58CA	Bidirectional	1500	64.4	71.2	58	1	150	DO-214AB (SMC)
SMCJ58CAH ●	Bidirectional	1500	64.4	71.2	58	1	150	DO-214AB (SMC)
SMCJ58C	Bidirectional	1500	64.4	78.7	58	1	150	DO-214AB (SMC)
SMCJ58CH ●	Bidirectional	1500	64.4	78.7	58	1	150	DO-214AB (SMC)
1.5SMC68CA	Bidirectional	1500	64.6	71.4	58.1	1	150	DO-214AB (SMC)
1.5SMC68CAH ●	Bidirectional	1500	64.6	71.4	58.1	1	150	DO-214AB (SMC)
1.5KE68CA ●	Bidirectional	1500	64.6	71.4	58.1	1	175	DO-201
1V5KE68CA	Bidirectional	1500	64.6	71.4	58.1	5	175	DO-201
SMCJ60CA	Bidirectional	1500	66.7	73.7	60	1	150	DO-214AB (SMC)
SMCJ60CAH ●	Bidirectional	1500	66.7	73.7	60	1	150	DO-214AB (SMC)
SMCJ60C	Bidirectional	1500	66.7	81.5	60	1	150	DO-214AB (SMC)
SMCJ60CH ●	Bidirectional	1500	66.7	81.5	60	1	150	DO-214AB (SMC)
1.5SMC75C	Bidirectional	1500	67.5	82.5	60.7	1	150	DO-214AB (SMC)
1.5SMC75CH ●	Bidirectional	1500	67.5	82.5	60.7	1	150	DO-214AB (SMC)
1.5KE75C ●	Bidirectional	1500	67.5	82.5	60.7	1	175	DO-201
SMCJ64CA	Bidirectional	1500	71.1	78.6	64	1	150	DO-214AB (SMC)
SMCJ64CAH ●	Bidirectional	1500	71.1	78.6	64	1	150	DO-214AB (SMC)
SMCJ64C	Bidirectional	1500	71.1	86.9	64	1	150	DO-214AB (SMC)
SMCJ64CH ●	Bidirectional	1500	71.1	86.9	64	1	150	DO-214AB (SMC)
1.5SMC75CA	Bidirectional	1500	71.25	78.8	64.1	1	150	DO-214AB (SMC)
1.5SMC75CAH ●	Bidirectional	1500	71.25	78.8	64.1	1	150	DO-214AB (SMC)
1.5KE75CA ●	Bidirectional	1500	71.3	78.8	6.4	500	175	DO-201

Part Number	Configuration	P <sub>PK</sub> (W)	Breakdown Voltage		VWM(V)	I <sub>R</sub> (μA)	T <sub>j</sub> Max. (°C)	Package Description
			V <sub>BR</sub> Min.(V)	V <sub>BR</sub> Max.(V)				
1V5KE75CA	Bidirectional	1500	71.3	78.8	64.1	5	175	DO-201
1.5SMC82C	Bidirectional	1500	73.8	90.2	66.4	1	150	DO-214AB (SMC)
1.5SMC82CH ●	Bidirectional	1500	73.8	90.2	66.4	1	150	DO-214AB (SMC)
1.5KE82C ●	Bidirectional	1500	73.8	90.2	66.4	1	175	DO-201
SMCJ70CA	Bidirectional	1500	77.8	86	70	1	150	DO-214AB (SMC)
SMCJ70CAH ●	Bidirectional	1500	77.8	86	70	1	150	DO-214AB (SMC)
SMCJ70C	Bidirectional	1500	77.8	95.1	70	1	150	DO-214AB (SMC)
SMCJ70CH ●	Bidirectional	1500	77.8	95.1	70	1	150	DO-214AB (SMC)
1.5SMC82CA	Bidirectional	1500	77.9	86.1	70.1	1	150	DO-214AB (SMC)
1.5SMC82CAH ●	Bidirectional	1500	77.9	86.1	70.1	1	150	DO-214AB (SMC)
1.5KE82CA ●	Bidirectional	1500	77.9	86.1	70.1	1	175	DO-201
1V5KE82CA	Bidirectional	1500	77.9	86.1	70.1	5	175	DO-201
1.5KE91C ●	Bidirectional	1500	81.9	100	73.7	1	175	DO-201
1.5SMC91C	Bidirectional	1500	81.9	100.1	73.7	1	150	DO-214AB (SMC)
1.5SMC91CH ●	Bidirectional	1500	81.9	100.1	73.7	1	150	DO-214AB (SMC)
SMCJ75CA	Bidirectional	1500	83.3	92.1	75	1	150	DO-214AB (SMC)
SMCJ75CAH ●	Bidirectional	1500	83.3	92.1	75	1	150	DO-214AB (SMC)
SMCJ75C	Bidirectional	1500	83.3	102	75	1	150	DO-214AB (SMC)
SMCJ75CH ●	Bidirectional	1500	83.3	102	75	1	150	DO-214AB (SMC)
1.5SMC91CA	Bidirectional	1500	86.45	95.5	77.8	1	150	DO-214AB (SMC)
1.5SMC91CAH ●	Bidirectional	1500	86.45	95.5	77.8	1	150	DO-214AB (SMC)
1.5KE91CA ●	Bidirectional	1500	86.5	95.5	77.8	1	175	DO-201
1V5KE91CA	Bidirectional	1500	86.5	95.5	77.8	5	175	DO-201
SMCJ78CA	Bidirectional	1500	86.7	95.8	78	1	150	DO-214AB (SMC)
SMCJ78CAH ●	Bidirectional	1500	86.7	95.8	78	1	150	DO-214AB (SMC)
SMCJ78C	Bidirectional	1500	86.7	106	78	1	150	DO-214AB (SMC)
SMCJ78CH ●	Bidirectional	1500	86.7	106	78	1	150	DO-214AB (SMC)

## TVS

(T<sub>A</sub>=25°C unless otherwise noted)

● =AEC-Q qualified

Part Number	Configuration	P <sub>PK</sub> (W)	Breakdown Voltage		VWM(V)	I <sub>R</sub> (μA)	T <sub>j</sub> Max. (°C)	Package Description
			V <sub>BR</sub> Min.(V)	V <sub>BR</sub> Max.(V)				
1.5SMC100C	Bidirectional	1500	90	110	81	1	150	DO-214AB (SMC)
1.5SMC100CH ●	Bidirectional	1500	90	110	81	1	150	DO-214AB (SMC)
1.5KE100C ●	Bidirectional	1500	90	110	81	1	175	DO-201
SMCJ85CA	Bidirectional	1500	94.4	104	85	1	150	DO-214AB (SMC)
SMCJ85CAH ●	Bidirectional	1500	94.4	104	85	1	150	DO-214AB (SMC)
SMCJ85C	Bidirectional	1500	94.4	115	85	1	150	DO-214AB (SMC)
SMCJ85CH ●	Bidirectional	1500	94.4	115	85	1	150	DO-214AB (SMC)
1.5SMC100CA	Bidirectional	1500	95	105	85.5	1	150	DO-214AB (SMC)
1.5SMC100CAH ●	Bidirectional	1500	95	105	85.5	1	150	DO-214AB (SMC)
1.5KE100CA ●	Bidirectional	1500	95	105	85.5	1	175	DO-201
1V5KE100CA	Bidirectional	1500	95	105	85.5	5	175	DO-201
1.5KE110C ●	Bidirectional	1500	99	121	8.92	1	175	DO-201
1.5SMC110C	Bidirectional	1500	99	121	89.2	1	150	DO-214AB (SMC)
1.5SMC110CH ●	Bidirectional	1500	99	121	89.2	1	150	DO-214AB (SMC)
SMCJ90CA	Bidirectional	1500	100	111	90	1	150	DO-214AB (SMC)
SMCJ90CAH ●	Bidirectional	1500	100	111	90	1	150	DO-214AB (SMC)
SMCJ90C	Bidirectional	1500	100	122	90	1	150	DO-214AB (SMC)
SMCJ90CH ●	Bidirectional	1500	100	122	90	1	150	DO-214AB (SMC)
1.5SMC110CA	Bidirectional	1500	104.5	115.5	94	1	150	DO-214AB (SMC)
1.5SMC110CAH ●	Bidirectional	1500	104.5	115.5	94	1	150	DO-214AB (SMC)
1.5KE110CA ●	Bidirectional	1500	105	116	94	1	175	DO-201
1V5KE110CA	Bidirectional	1500	106	116	94	5	175	DO-201
1.5SMC120C	Bidirectional	1500	108	132	97.2	1	150	DO-214AB (SMC)
1.5SMC120CH ●	Bidirectional	1500	108	132	97.2	1	150	DO-214AB (SMC)
1.5KE120C ●	Bidirectional	1500	108	132	97.2	1	175	DO-201
SMCJ100CA	Bidirectional	1500	111	123	100	1	150	DO-214AB (SMC)
SMCJ100CAH ●	Bidirectional	1500	111	123	100	1	150	DO-214AB (SMC)

Part Number	Configuration	P <sub>PK</sub> (W)	Breakdown Voltage		VWM(V)	I <sub>R</sub> (μA)	T <sub>j</sub> Max. (°C)	Package Description
			V <sub>BR</sub> Min.(V)	V <sub>BR</sub> Max.(V)				
SMCJ100C	Bidirectional	1500	111	136	100	1	150	DO-214AB (SMC)
SMCJ100CH ●	Bidirectional	1500	111	136	100	1	150	DO-214AB (SMC)
1.5SMC120CA	Bidirectional	1500	114	126	102	1	150	DO-214AB (SMC)
1.5SMC120CAH ●	Bidirectional	1500	114	126	102	1	150	DO-214AB (SMC)
1.5KE120CA ●	Bidirectional	1500	114	126	102	1	175	DO-201
1V5KE120CA	Bidirectional	1500	114	126	102	5	175	DO-201
1.5SMC130C	Bidirectional	1500	117	143	105	1	150	DO-214AB (SMC)
1.5SMC130CH ●	Bidirectional	1500	117	143	105	1	150	DO-214AB (SMC)
1.5KE130C ●	Bidirectional	1500	117	143	105	1	175	DO-201
SMCJ110CA	Bidirectional	1500	122	135	110	1	150	DO-214AB (SMC)
SMCJ110CAH ●	Bidirectional	1500	122	135	110	1	150	DO-214AB (SMC)
SMCJ110C	Bidirectional	1500	122	149	110	1	150	DO-214AB (SMC)
SMCJ110CH ●	Bidirectional	1500	122	149	110	1	150	DO-214AB (SMC)
1.5SMC130CA	Bidirectional	1500	123.5	136.5	111	1	150	DO-214AB (SMC)
1.5SMC130CAH ●	Bidirectional	1500	123.5	136.5	111	1	150	DO-214AB (SMC)
1.5KE130CA ●	Bidirectional	1500	124	137	111	1	175	DO-201
1V5KE130CA	Bidirectional	1500	124	137	111	5	175	DO-201
SMCJ120CA	Bidirectional	1500	133	147	11	1	150	DO-214AB (SMC)
SMCJ120CAH ●	Bidirectional	1500	133	147	11	1	150	DO-214AB (SMC)
SMCJ120C	Bidirectional	1500	133	163	120	1	150	DO-214AB (SMC)
SMCJ120CH ●	Bidirectional	1500	133	163	120	1	150	DO-214AB (SMC)
1.5SMC150C	Bidirectional	1500	135	165	121	1	150	DO-214AB (SMC)
1.5SMC150CH ●	Bidirectional	1500	135	165	121	1	150	DO-214AB (SMC)
1.5KE150C ●	Bidirectional	1500	135	165	121	1	175	DO-201
1.5SMC150CA	Bidirectional	1500	142.5	157.5	128	1	150	DO-214AB (SMC)
1.5SMC150CAH ●	Bidirectional	1500	142.5	157.5	128	1	150	DO-214AB (SMC)
1.5KE150CA ●	Bidirectional	1500	143	158	128	1	175	DO-201

## TVS

(T<sub>A</sub>=25°C unless otherwise noted)

● =AEC-Q qualified

Part Number	Configuration	P <sub>PK</sub> (W)	Breakdown Voltage		VWM(V)	I <sub>R</sub> (μA)	T <sub>J</sub> Max. (°C)	Package Description
			V <sub>BR</sub> Min.(V)	V <sub>BR</sub> Max.(V)				
1V5KE150CA	Bidirectional	1500	143	158	128	5	175	DO-201
SMCJ130CA	Bidirectional	1500	144	159	130	1	150	DO-214AB (SMC)
SMCJ130CAH ●	Bidirectional	1500	144	159	130	1	150	DO-214AB (SMC)
1.5SMC160C	Bidirectional	1500	144	176	130	1	150	DO-214AB (SMC)
1.5SMC160CH ●	Bidirectional	1500	144	176	130	1	150	DO-214AB (SMC)
SMCJ130C	Bidirectional	1500	144	176	130	1	150	DO-214AB (SMC)
SMCJ130CH ●	Bidirectional	1500	144	176	130	1	150	DO-214AB (SMC)
1.5KE160C ●	Bidirectional	1500	144	176	130	1	175	DO-201
1.5SMC160CA	Bidirectional	1500	152	168	136	1	150	DO-214AB (SMC)
1.5SMC160CAH ●	Bidirectional	1500	152	168	136	1	150	DO-214AB (SMC)
1.5KE160CA ●	Bidirectional	1500	152	168	136	1	175	DO-201
1V5KE160CA	Bidirectional	1500	152	168	136	5	175	DO-201
1.5SMC170C	Bidirectional	1500	153	187	138	1	150	DO-214AB (SMC)
1.5SMC170CH ●	Bidirectional	1500	153	187	138	1	150	DO-214AB (SMC)
1.5KE170C ●	Bidirectional	1500	153	187	138	1	175	DO-201
1.5SMC170CA	Bidirectional	1500	161.5	178.5	145	1	150	DO-214AB (SMC)
1.5SMC170CAH ●	Bidirectional	1500	161.5	178.5	145	1	150	DO-214AB (SMC)
1.5KE170CA ●	Bidirectional	1500	162	179	145	1	175	DO-201
1V5KE170CA	Bidirectional	1500	162	179	145	5	175	DO-201
1.5SMC180C	Bidirectional	1500	162	198	146	1	150	DO-214AB (SMC)
1.5SMC180CH ●	Bidirectional	1500	162	198	146	1	150	DO-214AB (SMC)
1.5KE180C ●	Bidirectional	1500	162	198	146	1	175	DO-201
SMCJ150CA	Bidirectional	1500	167	185	150	1	150	DO-214AB (SMC)
SMCJ150CAH ●	Bidirectional	1500	167	185	150	1	150	DO-214AB (SMC)
SMCJ150C	Bidirectional	1500	167	204	150	1	150	DO-214AB (SMC)
SMCJ150CH ●	Bidirectional	1500	167	204	150	1	150	DO-214AB (SMC)
1.5SMC180CA	Bidirectional	1500	171	189	154	1	150	DO-214AB (SMC)

Part Number	Configuration	P <sub>PK</sub> (W)	Breakdown Voltage		VWM(V)	I <sub>R</sub> (μA)	T <sub>J</sub> Max. (°C)	Package Description
			V <sub>BR</sub> Min.(V)	V <sub>BR</sub> Max.(V)				
1.5SMC180CAH ●	Bidirectional	1500	171	189	154	1	150	DO-214AB (SMC)
1.5KE180CA ●	Bidirectional	1500	171	189	154	1	175	DO-201
1V5KE180CA	Bidirectional	1500	171	189	154	5	175	DO-201
SMCJ160CA	Bidirectional	1500	178	197	160	1	150	DO-214AB (SMC)
SMCJ160CAH ●	Bidirectional	1500	178	197	160	1	150	DO-214AB (SMC)
SMCJ160C	Bidirectional	1500	178	218	160	1	150	DO-214AB (SMC)
SMCJ160CH ●	Bidirectional	1500	178	218	160	1	150	DO-214AB (SMC)
1.5SMC200C	Bidirectional	1500	180	220	162	1	150	DO-214AB (SMC)
1.5SMC200CH ●	Bidirectional	1500	180	220	162	1	150	DO-214AB (SMC)
1.5KE200C ●	Bidirectional	1500	180	220	162	1	175	DO-201
SMCJ170CA	Bidirectional	1500	189	209	170	1	150	DO-214AB (SMC)
SMCJ170CAH ●	Bidirectional	1500	189	209	170	1	150	DO-214AB (SMC)
SMCJ170C	Bidirectional	1500	189	231	170	1	150	DO-214AB (SMC)
SMCJ170CH ●	Bidirectional	1500	189	231	170	1	150	DO-214AB (SMC)
1.5SMC200CA	Bidirectional	1500	190	210	171	1	150	DO-214AB (SMC)
1.5SMC200CAH ●	Bidirectional	1500	190	210	171	1	150	DO-214AB (SMC)
1.5KE200CA ●	Bidirectional	1500	190	210	171	1	175	DO-201
1V5KE200CA	Bidirectional	1500	190	210	171	5	175	DO-201
1.5KE220C ●	Bidirectional	1500	198	242	175	1	175	DO-201
1.5KE220CA ●	Bidirectional	1500	209	231	185	1	175	DO-201
1V5KE220CA	Bidirectional	1500	209	231	185	5	175	DO-201
1.5KE250C ●	Bidirectional	1500	225	275	202	1	175	DO-201
1.5KE250CA ●	Bidirectional	1500	237	263	214	1	175	DO-201
1V5KE250CA	Bidirectional	1500	237	263	214	5	175	DO-201
1.5KE300C ●	Bidirectional	1500	270	330	243	1	175	DO-201
1.5KE300CA ●	Bidirectional	1500	285	315	256	1	175	DO-201
1V5KE300CA	Bidirectional	1500	285	315	256	5	175	DO-201

## TVS

(T<sub>A</sub>=25°C unless otherwise noted)

● =AEC-Q qualified

Part Number	Configuration	P <sub>PK</sub> (W)	Breakdown Voltage		VWM(V)	I <sub>R</sub> (μA)	T <sub>J</sub> Max. (°C)	Package Description
			V <sub>BR</sub> Min.(V)	V <sub>BR</sub> Max.(V)				
1.5KE350C ●	Bidirectional	1500	315	385	284	1	175	DO-201
1.5KE350CA ●	Bidirectional	1500	333	368	300	1	175	DO-201
1V5KE350CA	Bidirectional	1500	333	368	300	5	175	DO-201
1.5KE400C ●	Bidirectional	1500	360	440	324	1	175	DO-201
1.5KE400CA ●	Bidirectional	1500	380	420	342	1	175	DO-201
1V5KE400CA	Bidirectional	1500	380	420	342	5	175	DO-201
1.5KE440C ●	Bidirectional	1500	396	484	356	1	175	DO-201
1.5KE440CA ●	Bidirectional	1500	418	462	376	1	175	DO-201
1V5KE440CA	Bidirectional	1500	418	462	376	5	175	DO-201
SMDJ10CA	Bidirectional	3000	11.1	12.3	10	5	175	DO-214AB (SMC)
SMDJ10CAH ●	Bidirectional	3000	11.1	12.3	10	5	175	DO-214AB (SMC)
SMDJ11CA	Bidirectional	3000	12	13.5	11	1	175	DO-214AB (SMC)
SMDJ11CAH ●	Bidirectional	3000	12	13.5	11	1	175	DO-214AB (SMC)
SMDJ12CA	Bidirectional	3000	13	14.7	12	1	175	DO-214AB (SMC)
SMDJ12CAH ●	Bidirectional	3000	13	14.7	12	1	175	DO-214AB (SMC)
SMDJ13CA	Bidirectional	3000	14.4	15.9	13	1	175	DO-214AB (SMC)
SMDJ13CAH ●	Bidirectional	3000	14.4	15.9	13	1	175	DO-214AB (SMC)
SMDJ14CA	Bidirectional	3000	15.6	17.2	14	1	175	DO-214AB (SMC)
SMDJ14CAH ●	Bidirectional	3000	15.6	17.2	14	1	175	DO-214AB (SMC)
SMDJ15CA	Bidirectional	3000	16.7	18.5	15	1	175	DO-214AB (SMC)
SMDJ15CAH ●	Bidirectional	3000	16.7	18.5	15	1	175	DO-214AB (SMC)
SMDJ16CA	Bidirectional	3000	17.8	19.7	16	1	175	DO-214AB (SMC)
SMDJ16CAH ●	Bidirectional	3000	17.8	19.7	16	1	175	DO-214AB (SMC)
SMDJ17CA	Bidirectional	3000	18.9	20.9	17	1	175	DO-214AB (SMC)
SMDJ17CAH ●	Bidirectional	3000	18.9	20.9	17	1	175	DO-214AB (SMC)
SMDJ18CA	Bidirectional	3000	20	22.1	18	1	175	DO-214AB (SMC)
SMDJ18CAH ●	Bidirectional	3000	20	22.1	18	1	175	DO-214AB (SMC)

Part Number	Configuration	P <sub>PK</sub> (W)	Breakdown Voltage		VWM(V)	I <sub>R</sub> (μA)	T <sub>J</sub> Max. (°C)	Package Description
			V <sub>BR</sub> Min.(V)	V <sub>BR</sub> Max.(V)				
SMDJ20CA	Bidirectional	3000	22.2	24.5	20	1	175	DO-214AB (SMC)
SMDJ20CAH ●	Bidirectional	3000	22.2	24.5	20	1	175	DO-214AB (SMC)
SMDJ22CA	Bidirectional	3000	24.4	26.9	22	1	175	DO-214AB (SMC)
SMDJ22CAH ●	Bidirectional	3000	24.4	26.9	22	1	175	DO-214AB (SMC)
SMDJ24CA	Bidirectional	3000	26.7	29.5	24	1	175	DO-214AB (SMC)
SMDJ24CAH ●	Bidirectional	3000	26.7	29.5	24	1	175	DO-214AB (SMC)
SMDJ26CA	Bidirectional	3000	28.9	31.9	26	1	175	DO-214AB (SMC)
SMDJ26CAH ●	Bidirectional	3000	28.9	31.9	26	1	175	DO-214AB (SMC)
SMDJ28CA	Bidirectional	3000	31.1	34.4	28	1	175	DO-214AB (SMC)
SMDJ28CAH ●	Bidirectional	3000	31.1	34.4	28	1	175	DO-214AB (SMC)
SMDJ30CA	Bidirectional	3000	33.3	36.8	30	1	175	DO-214AB (SMC)
SMDJ30CAH ●	Bidirectional	3000	33.3	36.8	30	1	175	DO-214AB (SMC)
SMDJ33CA	Bidirectional	3000	36.7	40.6	33	1	175	DO-214AB (SMC)
SMDJ33CAH ●	Bidirectional	3000	36.7	40.6	33	1	175	DO-214AB (SMC)
SMDJ36CA	Bidirectional	3000	40	44.2	36	1	175	DO-214AB (SMC)
SMDJ36CAH ●	Bidirectional	3000	40	44.2	36	1	175	DO-214AB (SMC)
SMDJ40CA	Bidirectional	3000	44.4	49.1	40	1	175	DO-214AB (SMC)
SMDJ40CAH ●	Bidirectional	3000	44.4	49.1	40	1	175	DO-214AB (SMC)
SMDJ43CA	Bidirectional	3000	47.8	52.8	43	1	175	DO-214AB (SMC)
SMDJ43CAH ●	Bidirectional	3000	47.8	52.8	43	1	175	DO-214AB (SMC)
SMDJ45CA	Bidirectional	3000	50	55.3	45	1	175	DO-214AB (SMC)
SMDJ45CAH ●	Bidirectional	3000	50	55.3	45	1	175	DO-214AB (SMC)
SMDJ48CA	Bidirectional	3000	53.3	58.9	48	1	175	DO-214AB (SMC)
SMDJ48CAH ●	Bidirectional	3000	53.3	58.9	48	1	175	DO-214AB (SMC)
SMDJ51CA	Bidirectional	3000	56.7	62.7	51	1	175	DO-214AB (SMC)
SMDJ51CAH ●	Bidirectional	3000	56.7	62.7	51	1	175	DO-214AB (SMC)
SMDJ54CA	Bidirectional	3000	60	66.3	54	1	175	DO-214AB (SMC)

## TVS

(T<sub>A</sub>=25°C unless otherwise noted)

● =AEC-Q qualified

Part Number	Configuration	P <sub>PK</sub> (W)	Breakdown Voltage		VWM(V)	I <sub>R</sub> (μA)	T <sub>j</sub> Max. (°C)	Package Description
			V <sub>BR</sub> Min.(V)	V <sub>BR</sub> Max.(V)				
SMDJ54CAH ●	Bidirectional	3000	60	66.3	54	1	175	DO-214AB (SMC)
SMDJ58CA	Bidirectional	3000	64.4	71.2	58	1	175	DO-214AB (SMC)
SMDJ58CAH ●	Bidirectional	3000	64.4	71.2	58	1	175	DO-214AB (SMC)
SMDJ60CA	Bidirectional	3000	66.7	73.7	60	1	175	DO-214AB (SMC)
SMDJ60CAH ●	Bidirectional	3000	66.7	73.7	60	1	175	DO-214AB (SMC)
SMDJ64CA	Bidirectional	3000	71.1	78.6	64	1	175	DO-214AB (SMC)
SMDJ64CAH ●	Bidirectional	3000	71.1	78.6	64	1	175	DO-214AB (SMC)



## TVS

(T<sub>A</sub>=25°C unless otherwise noted)

● =AEC-Q qualified

Part Number	Configuration	P <sub>PK</sub> (W)	Breakdown Voltage		VWM(V)	I <sub>R</sub> (μA)	T <sub>j</sub> Max. (°C)	Package Description
			V <sub>BR</sub> Min.(V)	V <sub>BR</sub> Max.(V)				
SMF5.0A	Unidirectional	200	6.4	7	5	800	175	SOD-123W
SMF5.0AH ●	Unidirectional	200	6.4	7	5	800	175	SOD-123W
SMF6.0AH ●	Unidirectional	200	6.67	7.37	6	800	175	SOD-123W
SMF6.0A	Unidirectional	200	6.67	7.4	6	800	175	SOD-123W
SMF6.5AH ●	Unidirectional	200	7.22	7.98	6.5	500	175	SOD-123W
SMF6.5A	Unidirectional	200	7.22	8	6.5	500	175	SOD-123W
SMF7.0A	Unidirectional	200	7.78	8.6	7	200	175	SOD-123W
SMF7.0AH ●	Unidirectional	200	7.78	8.6	7	200	175	SOD-123W
SMF7.5A	Unidirectional	200	8.33	9.2	7.5	100	175	SOD-123W
SMF7.5AH ●	Unidirectional	200	8.33	9.21	7.5	100	175	SOD-123W
SMF8.0A	Unidirectional	200	8.89	9.8	8	50	175	SOD-123W
SMF8.0AH ●	Unidirectional	200	8.89	9.83	8	50	175	SOD-123W
SMF8.5A	Unidirectional	200	9.44	10.5	8.5	10	175	SOD-123W
SMF8.5AH ●	Unidirectional	200	9.44	10.5	8.5	10	175	SOD-123W
SMF9.0A	Unidirectional	200	10	11.1	9	5	175	SOD-123W
SMF9.0AH ●	Unidirectional	200	10	11.1	9	5	175	SOD-123W
SMF10A	Unidirectional	200	11.1	12.3	10	5	175	SOD-123W
SMF10AH ●	Unidirectional	200	11.1	12.3	10	5	175	SOD-123W
SMF11A	Unidirectional	200	12.2	13.5	11	1	175	SOD-123W
SMF11AH ●	Unidirectional	200	12.2	13.5	11	1	175	SOD-123W
SMF12A	Unidirectional	200	13.3	14.7	12	1	175	SOD-123W
SMF12AH ●	Unidirectional	200	13.3	14.7	12	1	175	SOD-123W
SMF13A	Unidirectional	200	14.4	15.9	13	1	175	SOD-123W
SMF13AH ●	Unidirectional	200	14.4	15.9	13	1	175	SOD-123W
SMF14A	Unidirectional	200	15.6	17.2	14	1	175	SOD-123W
SMF14AH ●	Unidirectional	200	15.6	17.2	14	1	175	SOD-123W
SMF15A	Unidirectional	200	16.7	18.5	15	1	175	SOD-123W

Part Number	Configuration	P <sub>PK</sub> (W)	Breakdown Voltage		VWM(V)	I <sub>R</sub> (μA)	T <sub>j</sub> Max. (°C)	Package Description
			V <sub>BR</sub> Min.(V)	V <sub>BR</sub> Max.(V)				
SMF15AH ●	Unidirectional	200	16.7	18.5	15	1	175	SOD-123W
SMF16A	Unidirectional	200	17.8	19.7	16	1	175	SOD-123W
SMF16AH ●	Unidirectional	200	17.8	19.7	16	1	175	SOD-123W
SMF17A	Unidirectional	200	18.9	20.9	17	1	175	SOD-123W
SMF17AH ●	Unidirectional	200	18.9	20.9	17	1	175	SOD-123W
SMF18A	Unidirectional	200	20	22.1	18	1	175	SOD-123W
SMF18AH ●	Unidirectional	200	20	22.1	18	1	175	SOD-123W
SMF20A	Unidirectional	200	22.2	24.5	20	1	175	SOD-123W
SMF20AH ●	Unidirectional	200	22.2	24.5	20	1	175	SOD-123W
SMF22A	Unidirectional	200	24.4	26.9	22	1	175	SOD-123W
SMF22AH ●	Unidirectional	200	24.4	26.9	22	1	175	SOD-123W
SMF24A	Unidirectional	200	26.7	29.5	24	1	175	SOD-123W
SMF24AH ●	Unidirectional	200	26.7	29.5	24	1	175	SOD-123W
SMF26A	Unidirectional	200	28.9	31.9	26	1	175	SOD-123W
SMF26AH ●	Unidirectional	200	28.9	31.9	26	1	175	SOD-123W
SMF28A	Unidirectional	200	31.1	34.4	28	1	175	SOD-123W
SMF28AH ●	Unidirectional	200	31.1	34.4	28	1	175	SOD-123W
SMF30A	Unidirectional	200	33.3	36.8	30	1	175	SOD-123W
SMF30AH ●	Unidirectional	200	33.3	36.8	30	1	175	SOD-123W
SMF33A	Unidirectional	200	36.7	40.6	33	1	175	SOD-123W
SMF33AH ●	Unidirectional	200	36.7	40.6	33	1	175	SOD-123W
SMF36A	Unidirectional	200	40	44.2	36	1	175	SOD-123W
SMF36AH ●	Unidirectional	200	40	44.2	36	1	175	SOD-123W
SMF40A	Unidirectional	200	44.4	49.1	40	1	175	SOD-123W
SMF40AH ●	Unidirectional	200	44.4	49.1	40	1	175	SOD-123W
SMF43A	Unidirectional	200	47.8	52.8	43	1	175	SOD-123W
SMF43AH ●	Unidirectional	200	47.8	52.8	43	1	175	SOD-123W

## TVS

(T<sub>A</sub>=25°C unless otherwise noted)

● =AEC-Q qualified

Part Number	Configuration	P <sub>PK</sub> (W)	Breakdown Voltage		VWM(V)	I <sub>R</sub> (μA)	T <sub>J</sub> Max. (°C)	Package Description
			V <sub>BR</sub> Min.(V)	V <sub>BR</sub> Max.(V)				
SMF45A	Unidirectional	200	50	55.3	45	1	175	SOD-123W
SMF45AH ●	Unidirectional	200	50	55.3	45	1	175	SOD-123W
SMF48A	Unidirectional	200	53.3	58.9	48	1	175	SOD-123W
SMF48AH ●	Unidirectional	200	53.3	58.9	48	1	175	SOD-123W
SMF51A	Unidirectional	200	56.7	62.7	51	1	175	SOD-123W
SMF51AH ●	Unidirectional	200	56.7	62.7	51	1	175	SOD-123W
SMF54A	Unidirectional	200	60	66.3	54	1	175	SOD-123W
SMF54AH ●	Unidirectional	200	60	66.3	54	1	175	SOD-123W
SMF58A	Unidirectional	200	64.4	71.2	58	1	175	SOD-123W
SMF58AH ●	Unidirectional	200	64.4	71.2	58	1	175	SOD-123W
SMF60A	Unidirectional	200	66.7	73.7	60	1	175	SOD-123W
SMF60AH ●	Unidirectional	200	66.7	73.7	60	1	175	SOD-123W
SMF64A	Unidirectional	200	71.1	78.6	64	1	175	SOD-123W
SMF64AH ●	Unidirectional	200	71.1	78.6	64	1	175	SOD-123W
SMF70A	Unidirectional	200	77.8	86	70	1	175	SOD-123W
SMF70AH ●	Unidirectional	200	77.8	86	70	1	175	SOD-123W
SMF75A	Unidirectional	200	83.3	92.1	75	1	175	SOD-123W
SMF75AH ●	Unidirectional	200	83.3	92.1	75	1	175	SOD-123W
SMF78A	Unidirectional	200	86.7	95.8	78	1	175	SOD-123W
SMF78AH ●	Unidirectional	200	86.7	95.8	78	1	175	SOD-123W
SMF85A	Unidirectional	200	94.4	104	85	1	175	SOD-123W
SMF85AH ●	Unidirectional	200	94.4	104	85	1	175	SOD-123W
SMF90A	Unidirectional	200	100	111	90	1	175	SOD-123W
SMF90AH ●	Unidirectional	200	100	111	90	1	175	SOD-123W
SMF100A	Unidirectional	200	111	123	100	1	175	SOD-123W
SMF100AH ●	Unidirectional	200	111	123	100	1	175	SOD-123W
SMAJ64	Unidirectional	300	71.1	86.9	64	1	150	DO-214AC (SMA)

Part Number	Configuration	P <sub>PK</sub> (W)	Breakdown Voltage		VWM(V)	I <sub>R</sub> (μA)	T <sub>J</sub> Max. (°C)	Package Description
			V <sub>BR</sub> Min.(V)	V <sub>BR</sub> Max.(V)				
SMAJ64H ●	Unidirectional	300	71.1	86.9	64	1	150	DO-214AC (SMA)
SMAJ70A	Unidirectional	300	77.8	86	70	1	150	DO-214AC (SMA)
SMAJ70AH ●	Unidirectional	300	77.8	86	70	1	150	DO-214AC (SMA)
SMAJ70	Unidirectional	300	77.8	95.1	70	1	150	DO-214AC (SMA)
SMAJ70H ●	Unidirectional	300	77.8	95.1	70	1	150	DO-214AC (SMA)
SMAJ75A	Unidirectional	300	83.3	92.1	75	1	150	DO-214AC (SMA)
SMAJ75AH ●	Unidirectional	300	83.3	92.1	75	1	150	DO-214AC (SMA)
SMAJ75	Unidirectional	300	83.3	102	75	1	150	DO-214AC (SMA)
SMAJ75H ●	Unidirectional	300	83.3	102	75	1	150	DO-214AC (SMA)
SMAJ78A	Unidirectional	300	86.7	95.8	78	1	150	DO-214AC (SMA)
SMAJ78AH ●	Unidirectional	300	86.7	95.8	78	1	150	DO-214AC (SMA)
SMAJ78	Unidirectional	300	86.7	106	78	1	150	DO-214AC (SMA)
SMAJ78H ●	Unidirectional	300	86.7	106	78	1	150	DO-214AC (SMA)
SMAJ85A	Unidirectional	300	94.4	104	85	1	150	DO-214AC (SMA)
SMAJ85AH ●	Unidirectional	300	94.4	104	85	1	150	DO-214AC (SMA)
SMAJ85	Unidirectional	300	94.4	115	85	1	150	DO-214AC (SMA)
SMAJ85H ●	Unidirectional	300	94.4	115	85	1	150	DO-214AC (SMA)
SMAJ90A	Unidirectional	300	100	111	90	1	150	DO-214AC (SMA)
SMAJ90AH ●	Unidirectional	300	100	111	90	1	150	DO-214AC (SMA)
SMAJ90	Unidirectional	300	100	122	90	1	150	DO-214AC (SMA)
SMAJ90H ●	Unidirectional	300	100	122	90	1	150	DO-214AC (SMA)
SMAJ100A	Unidirectional	300	111	123	100	1	150	DO-214AC (SMA)
SMAJ100AH ●	Unidirectional	300	111	123	100	1	150	DO-214AC (SMA)
SMAJ100	Unidirectional	300	111	136	100	1	150	DO-214AC (SMA)
SMAJ100H ●	Unidirectional	300	111	136	100	1	150	DO-214AC (SMA)
SMAJ110A	Unidirectional	300	122	135	110	1	150	DO-214AC (SMA)
SMAJ110AH ●	Unidirectional	300	122	135	110	1	150	DO-214AC (SMA)

## TVS

(T<sub>A</sub>=25°C unless otherwise noted)

● =AEC-Q qualified

Part Number	Configuration	P <sub>PK</sub> (W)	Breakdown Voltage		VWM(V)	I <sub>R</sub> (μA)	T <sub>J</sub> Max. (°C)	Package Description
			V <sub>BR</sub> Min.(V)	V <sub>BR</sub> Max.(V)				
SMAJ110	Unidirectional	300	122	149	110	1	150	DO-214AC (SMA)
SMAJ110H ●	Unidirectional	300	122	149	110	1	150	DO-214AC (SMA)
SMAJ120A	Unidirectional	300	133	147	120	1	150	DO-214AC (SMA)
SMAJ120AH ●	Unidirectional	300	133	147	120	1	150	DO-214AC (SMA)
SMAJ120	Unidirectional	300	133	163	120	1	150	DO-214AC (SMA)
SMAJ120H ●	Unidirectional	300	133	163	120	1	150	DO-214AC (SMA)
SMAJ130A	Unidirectional	300	144	159	130	1	150	DO-214AC (SMA)
SMAJ130AH ●	Unidirectional	300	144	159	130	1	150	DO-214AC (SMA)
SMAJ130	Unidirectional	300	144	176	130	1	150	DO-214AC (SMA)
SMAJ130H ●	Unidirectional	300	144	176	130	1	150	DO-214AC (SMA)
SMAJ150A	Unidirectional	300	167	185	150	1	150	DO-214AC (SMA)
SMAJ150AH ●	Unidirectional	300	167	185	150	1	150	DO-214AC (SMA)
SMAJ150	Unidirectional	300	167	204	150	1	150	DO-214AC (SMA)
SMAJ150H ●	Unidirectional	300	167	204	150	1	150	DO-214AC (SMA)
SMAJ160A	Unidirectional	300	178	197	160	1	150	DO-214AC (SMA)
SMAJ160AH ●	Unidirectional	300	178	197	160	1	150	DO-214AC (SMA)
SMAJ160	Unidirectional	300	178	218	160	1	150	DO-214AC (SMA)
SMAJ160H ●	Unidirectional	300	178	218	160	1	150	DO-214AC (SMA)
SMAJ170A	Unidirectional	300	189	209	170	1	150	DO-214AC (SMA)
SMAJ170AH ●	Unidirectional	300	189	209	170	1	150	DO-214AC (SMA)
SMAJ170	Unidirectional	300	189	231	170	1	150	DO-214AC (SMA)
SMAJ170H ●	Unidirectional	300	189	231	170	1	150	DO-214AC (SMA)
SMAJ188A	Unidirectional	300	209	231	188	1	150	DO-214AC (SMA)
SMAJ188AH ●	Unidirectional	300	209	231	188	1	150	DO-214AC (SMA)
SMAJ188	Unidirectional	300	209	255	188	1	150	DO-214AC (SMA)
SMAJ188H ●	Unidirectional	300	209	255	188	1	150	DO-214AC (SMA)
P4SMA6.8	Unidirectional	400	6.12	7.48	5.5	1,000	150	DO-214AC (SMA)

Part Number	Configuration	P <sub>PK</sub> (W)	Breakdown Voltage		VWM(V)	I <sub>R</sub> (μA)	T <sub>J</sub> Max. (°C)	Package Description
			V <sub>BR</sub> Min.(V)	V <sub>BR</sub> Max.(V)				
P4SMA6.8H ●	Unidirectional	400	6.12	7.48	5.5	1,000	150	DO-214AC (SMA)
P4KE6.8 ●	Unidirectional	400	6.12	7.48	5.5	1,000	175	DO-204AL (DO-41)
SMAJ5.0A	Unidirectional	400	6.4	7	5	800	150	DO-214AC (SMA)
SMAJ5.0AH ●	Unidirectional	400	6.4	7	5	800	150	DO-214AC (SMA)
SMAJ5.0	Unidirectional	400	6.4	7.3	5	800	150	DO-214AC (SMA)
SMAJ5.0H ●	Unidirectional	400	6.4	7.3	5	800	150	DO-214AC (SMA)
BZW04-5V8	Unidirectional	400	6.45	7.14	5.8	1,000	175	DO-204AL (DO-41)
P4SMA6.8A	Unidirectional	400	6.46	7.14	5.8	1,000	150	DO-214AC (SMA)
P4SMA6.8AH ●	Unidirectional	400	6.46	7.14	5.8	1,000	150	DO-214AC (SMA)
P4KE6.8A ●	Unidirectional	400	6.46	7.14	5.8	1,000	175	DO-204AL (DO-41)
SMAJ6.0A	Unidirectional	400	6.67	7.37	6	10	150	DO-214AC (SMA)
SMAJ6.0AH ●	Unidirectional	400	6.67	7.37	6	10	150	DO-214AC (SMA)
SMAJ6.0	Unidirectional	400	6.67	8.15	6	10	150	DO-214AC (SMA)
SMAJ6.0H ●	Unidirectional	400	6.67	8.15	6	10	150	DO-214AC (SMA)
P4SMA7.5	Unidirectional	400	6.75	8.25	6.05	500	150	DO-214AC (SMA)
P4SMA7.5H ●	Unidirectional	400	6.75	8.25	6.05	500	150	DO-214AC (SMA)
P4KE7.5 ●	Unidirectional	400	6.75	8.25	6.05	500	175	DO-204AL (DO-41)
P4SMA7.5A	Unidirectional	400	7.13	7.88	6.4	500	150	DO-214AC (SMA)
P4SMA7.5AH ●	Unidirectional	400	7.13	7.88	6.4	500	150	DO-214AC (SMA)
BZW04-6V4	Unidirectional	400	7.13	7.88	6.4	500	175	DO-204AL (DO-41)
P4KE7.5A ●	Unidirectional	400	7.13	7.88	6.4	500	175	DO-204AL (DO-41)
SMAJ6.5A	Unidirectional	400	7.22	7.98	6.5	10	150	DO-214AC (SMA)
SMAJ6.5AH ●	Unidirectional	400	7.22	7.98	6.5	10	150	DO-214AC (SMA)
SMAJ6.5	Unidirectional	400	7.22	8.82	6.5	10	150	DO-214AC (SMA)
SMAJ6.5H ●	Unidirectional	400	7.22	8.82	6.5	10	150	DO-214AC (SMA)
P4SMA8.2	Unidirectional	400	7.38	9.02	6.63	200	150	DO-214AC (SMA)
P4SMA8.2H ●	Unidirectional	400	7.38	9.02	6.63	200	150	DO-214AC (SMA)

## TVS

(T<sub>A</sub>=25°C unless otherwise noted)

● =AEC-Q qualified

Part Number	Configuration	P <sub>PK</sub> (W)	Breakdown Voltage		VWM(V)	I <sub>R</sub> (μA)	T <sub>J</sub> Max. (°C)	Package Description
			V <sub>BR</sub> Min.(V)	V <sub>BR</sub> Max.(V)				
P4KE8.2 ●	Unidirectional	400	7.38	9.02	6.63	200	175	DO-204AL (DO-41)
SMAJ7.0A	Unidirectional	400	7.78	8.6	7	10	150	DO-214AC (SMA)
SMAJ7.0AH ●	Unidirectional	400	7.78	8.6	7	10	150	DO-214AC (SMA)
SMAJ7.0	Unidirectional	400	7.78	9.51	7	10	150	DO-214AC (SMA)
SMAJ7.0H ●	Unidirectional	400	7.78	9.51	7	10	150	DO-214AC (SMA)
P4SMA8.2A	Unidirectional	400	7.79	8.61	7.02	200	150	DO-214AC (SMA)
P4SMA8.2AH ●	Unidirectional	400	7.79	8.61	7.02	200	150	DO-214AC (SMA)
BZW04-7V0	Unidirectional	400	7.79	8.61	7.02	200	175	DO-204AL (DO-41)
P4KE8.2A ●	Unidirectional	400	7.79	8.61	7.02	200	175	DO-204AL (DO-41)
P4SMA9.1	Unidirectional	400	8.19	10.00	7.37	50	150	DO-214AC (SMA)
P4SMA9.1H ●	Unidirectional	400	8.19	10.00	7.37	50	150	DO-214AC (SMA)
P4KE9.1 ●	Unidirectional	400	8.19	10	7.37	50	175	DO-204AL (DO-41)
SMAJ7.5A	Unidirectional	400	8.33	9.21	7.5	1	150	DO-214AC (SMA)
SMAJ7.5AH ●	Unidirectional	400	8.33	9.21	7.5	1	150	DO-214AC (SMA)
SMAJ7.5	Unidirectional	400	8.33	10.3	7.5	1	150	DO-214AC (SMA)
SMAJ7.5H ●	Unidirectional	400	8.33	10.3	7.5	1	150	DO-214AC (SMA)
P4SMA9.1A	Unidirectional	400	8.65	9.55	7.78	50	150	DO-214AC (SMA)
P4SMA9.1AH ●	Unidirectional	400	8.65	9.55	7.78	50	150	DO-214AC (SMA)
BZW04-7V8	Unidirectional	400	8.65	9.55	7.78	50	175	DO-204AL (DO-41)
P4KE9.1A ●	Unidirectional	400	8.65	9.55	7.78	50	175	DO-204AL (DO-41)
SMAJ8.0A	Unidirectional	400	8.89	9.83	8	50	150	DO-214AC (SMA)
SMAJ8.0AH ●	Unidirectional	400	8.89	9.83	8	50	150	DO-214AC (SMA)
SMAJ8.0	Unidirectional	400	8.89	10.9	8	50	150	DO-214AC (SMA)
SMAJ8.0H ●	Unidirectional	400	8.89	10.9	8	50	150	DO-214AC (SMA)
P4SMA10	Unidirectional	400	9	11	8.1	10	150	DO-214AC (SMA)
P4SMA10H ●	Unidirectional	400	9	11	8.1	10	150	DO-214AC (SMA)
P4KE10 ●	Unidirectional	400	9	11	8.1	10	175	DO-204AL (DO-41)

Part Number	Configuration	P <sub>PK</sub> (W)	Breakdown Voltage		VWM(V)	I <sub>R</sub> (μA)	T <sub>J</sub> Max. (°C)	Package Description
			V <sub>BR</sub> Min.(V)	V <sub>BR</sub> Max.(V)				
SMAJ8.5A	Unidirectional	400	9.44	10.4	8.5	10	150	DO-214AC (SMA)
SMAJ8.5AH ●	Unidirectional	400	9.44	10.4	8.5	10	150	DO-214AC (SMA)
SMAJ8.5	Unidirectional	400	9.44	11.5	8.5	50	150	DO-214AC (SMA)
SMAJ8.5H ●	Unidirectional	400	9.44	11.5	8.5	50	150	DO-214AC (SMA)
P4SMA10A	Unidirectional	400	9.5	10.5	8.55	10	150	DO-214AC (SMA)
P4SMA10AH ●	Unidirectional	400	9.5	10.5	8.55	10	150	DO-214AC (SMA)
BZW04-8V5	Unidirectional	400	9.5	10.5	8.55	10	175	DO-204AL (DO-41)
P4KE10A ●	Unidirectional	400	9.5	10.5	8.55	10	175	DO-204AL (DO-41)
P4SMA11	Unidirectional	400	9.9	12.1	8.92	1	150	DO-214AC (SMA)
P4SMA11H ●	Unidirectional	400	9.9	12.1	8.92	1	150	DO-214AC (SMA)
P4KE11 ●	Unidirectional	400	9.9	12.1	8.92	1	175	DO-204AL (DO-41)
SMAJ9.0A	Unidirectional	400	10	11.1	9	5	150	DO-214AC (SMA)
SMAJ9.0AH ●	Unidirectional	400	10	11.1	9	5	150	DO-214AC (SMA)
SMAJ9.0	Unidirectional	400	10	12.2	9	5	150	DO-214AC (SMA)
SMAJ9.0H ●	Unidirectional	400	10	12.2	9	5	150	DO-214AC (SMA)
P4SMA11A	Unidirectional	400	10.5	11.6	9.4	1	150	DO-214AC (SMA)
P4SMA11AH ●	Unidirectional	400	10.5	11.6	9.4	1	150	DO-214AC (SMA)
P4KE11A ●	Unidirectional	400	10.5	11.6	9.4	1	175	DO-204AL (DO-41)
BZW04-9V4 ●	Unidirectional	400	10.5	11.6	9.4	5	175	DO-204AL (DO-41)
P4SMA12	Unidirectional	400	10.8	13.2	9.72	1	150	DO-214AC (SMA)
P4SMA12H ●	Unidirectional	400	10.8	13.2	9.72	1	150	DO-214AC (SMA)
P4KE12 ●	Unidirectional	400	10.8	13.2	9.72	1	175	DO-204AL (DO-41)
SMAJ10A	Unidirectional	400	11.1	12.3	10	5	150	DO-214AC (SMA)
SMAJ10AH ●	Unidirectional	400	11.1	12.3	10	5	150	DO-214AC (SMA)
SMAJ10	Unidirectional	400	11.1	13.6	10	5	150	DO-214AC (SMA)
SMAJ10H ●	Unidirectional	400	11.1	13.6	10	5	150	DO-214AC (SMA)
P4SMA12A	Unidirectional	400	11.4	12.6	10.2	1	150	DO-214AC (SMA)

## TVS

(T<sub>A</sub>=25°C unless otherwise noted)

● =AEC-Q qualified

Part Number	Configuration	P <sub>PK</sub> (W)	Breakdown Voltage		VWM(V)	I <sub>R</sub> (μA)	T <sub>J</sub> Max. (°C)	Package Description
			V <sub>BR</sub> Min.(V)	V <sub>BR</sub> Max.(V)				
P4SMA12AH ●	Unidirectional	400	11.4	12.6	10.2	1	150	DO-214AC (SMA)
P4KE12A ●	Unidirectional	400	11.4	12.6	10.2	1	175	DO-204AL (DO-41)
BZW04-10 ●	Unidirectional	400	11.4	12.6	10.2	5	175	DO-204AL (DO-41)
P4SMA13	Unidirectional	400	11.7	14.3	10.5	1	150	DO-214AC (SMA)
P4SMA13H ●	Unidirectional	400	11.7	14.3	10.5	1	150	DO-214AC (SMA)
P4KE13 ●	Unidirectional	400	11.7	14.3	10.5	1	175	DO-204AL (DO-41)
SMAJ11A	Unidirectional	400	12.2	13.5	11	1	150	DO-214AC (SMA)
SMAJ11AH ●	Unidirectional	400	12.2	13.5	11	1	150	DO-214AC (SMA)
SMAJ11	Unidirectional	400	12.2	14.9	11	1	150	DO-214AC (SMA)
SMAJ11H ●	Unidirectional	400	12.2	14.9	11	1	150	DO-214AC (SMA)
P4SMA13A	Unidirectional	400	12.4	13.7	11.1	1	150	DO-214AC (SMA)
P4SMA13AH ●	Unidirectional	400	12.4	13.7	11.1	1	150	DO-214AC (SMA)
P4KE13A ●	Unidirectional	400	12.4	13.7	11.1	1	175	DO-204AL (DO-41)
BZW04-11 ●	Unidirectional	400	12.4	13.7	11.1	5	175	DO-204AL (DO-41)
SMAJ12A	Unidirectional	400	13.3	14.7	12	1	150	DO-214AC (SMA)
SMAJ12AH ●	Unidirectional	400	13.3	14.7	12	1	150	DO-214AC (SMA)
SMAJ12	Unidirectional	400	13.3	16.3	12	1	150	DO-214AC (SMA)
SMAJ12H ●	Unidirectional	400	13.3	16.3	12	1	150	DO-214AC (SMA)
SMA4S12AH ●	Unidirectional	400	13.4	14.8	12	1	175	SOD-128
SMA4F12AH ●	Unidirectional	400	13.4	14.8	12	1	175	Thin SMA
P4SMA15	Unidirectional	400	13.5	16.5	12.1	1	150	DO-214AC (SMA)
P4SMA15H ●	Unidirectional	400	13.5	16.5	12.1	1	150	DO-214AC (SMA)
P4KE15 ●	Unidirectional	400	13.5	16.5	12.1	1	175	DO-204AL (DO-41)
P4SMA15A	Unidirectional	400	14.3	15.8	12.8	1	150	DO-214AC (SMA)
P4SMA15AH ●	Unidirectional	400	14.3	15.8	12.8	1	150	DO-214AC (SMA)
P4KE15A ●	Unidirectional	400	14.3	15.8	12.8	1	175	DO-204AL (DO-41)
BZW04-13 ●	Unidirectional	400	14.3	15.8	12.8	5	175	DO-204AL (DO-41)

Part Number	Configuration	P <sub>PK</sub> (W)	Breakdown Voltage		VWM(V)	I <sub>R</sub> (μA)	T <sub>J</sub> Max. (°C)	Package Description
			V <sub>BR</sub> Min.(V)	V <sub>BR</sub> Max.(V)				
SMAJ13A	Unidirectional	400	14.4	15.9	13	1	150	DO-214AC (SMA)
SMAJ13AH ●	Unidirectional	400	14.4	15.9	13	1	150	DO-214AC (SMA)
P4SMA16	Unidirectional	400	14.4	17.6	12.9	1	150	DO-214AC (SMA)
P4SMA16H ●	Unidirectional	400	14.4	17.6	12.9	1	150	DO-214AC (SMA)
P4KE16 ●	Unidirectional	400	14.4	17.6	12.9	1	175	DO-204AL (DO-41)
SMAJ13	Unidirectional	400	14.4	17.6	13	1	150	DO-214AC (SMA)
SMAJ13H ●	Unidirectional	400	14.4	17.6	13	1	150	DO-214AC (SMA)
P4SMA16A	Unidirectional	400	15.2	16.8	13.6	1	150	DO-214AC (SMA)
P4SMA16AH ●	Unidirectional	400	15.2	16.8	13.6	1	150	DO-214AC (SMA)
BZW04-14 ●	Unidirectional	400	15.2	16.8	13.6	1	175	DO-204AL (DO-41)
P4KE16A ●	Unidirectional	400	15.2	16.8	13.6	1	175	DO-204AL (DO-41)
SMAJ14A	Unidirectional	400	15.6	17.2	14	1	150	DO-214AC (SMA)
SMAJ14AH ●	Unidirectional	400	15.6	17.2	14	1	150	DO-214AC (SMA)
SMAJ14	Unidirectional	400	15.6	19.1	14	1	150	DO-214AC (SMA)
SMAJ14H ●	Unidirectional	400	15.6	19.1	14	1	150	DO-214AC (SMA)
P4SMA18	Unidirectional	400	16.2	19.8	14.5	1	150	DO-214AC (SMA)
P4SMA18H ●	Unidirectional	400	16.2	19.8	14.5	1	150	DO-214AC (SMA)
P4KE18 ●	Unidirectional	400	16.2	19.8	14.5	1	175	DO-204AL (DO-41)
SMAJ15A	Unidirectional	400	16.7	18.5	15	1	150	DO-214AC (SMA)
SMAJ15AH ●	Unidirectional	400	16.7	18.5	15	1	150	DO-214AC (SMA)
SMAJ15	Unidirectional	400	16.7	20.4	15	1	150	DO-214AC (SMA)
SMAJ15H ●	Unidirectional	400	16.7	20.4	15	1	150	DO-214AC (SMA)
SMA4S15AH ●	Unidirectional	400	16.8	18.5	15	1	175	SOD-128
SMA4F15AH ●	Unidirectional	400	16.8	18.5	15	1	175	Thin SMA
P4SMA18A	Unidirectional	400	17.1	18.9	15.3	1	150	DO-214AC (SMA)
P4SMA18AH ●	Unidirectional	400	17.1	18.9	15.3	1	150	DO-214AC (SMA)
BZW04-15 ●	Unidirectional	400	17.1	18.9	15.3	1	175	DO-204AL (DO-41)

## TVS

(T<sub>A</sub>=25°C unless otherwise noted)

● =AEC-Q qualified

Part Number	Configuration	P <sub>PK</sub> (W)	Breakdown Voltage		VWM(V)	I <sub>R</sub> (μA)	T <sub>j</sub> Max. (°C)	Package Description
			V <sub>BR</sub> Min.(V)	V <sub>BR</sub> Max.(V)				
P4KE18A ●	Unidirectional	400	17.1	18.9	15.3	1	175	DO-204AL (DO-41)
SMAJ16A	Unidirectional	400	17.8	19.7	16	1	150	DO-214AC (SMA)
SMAJ16AH ●	Unidirectional	400	17.8	19.7	16	1	150	DO-214AC (SMA)
SMAJ16	Unidirectional	400	17.8	21.8	16	1	150	DO-214AC (SMA)
SMAJ16H ●	Unidirectional	400	17.8	21.8	16	1	150	DO-214AC (SMA)
P4SMA20	Unidirectional	400	18	22	16.2	1	150	DO-214AC (SMA)
P4SMA20H ●	Unidirectional	400	18	22	16.2	1	150	DO-214AC (SMA)
P4KE20 ●	Unidirectional	400	18	22	16.2	1	175	DO-204AL (DO-41)
SMAJ17A	Unidirectional	400	18.9	20.9	17	1	150	DO-214AC (SMA)
SMAJ17AH ●	Unidirectional	400	18.9	20.9	17	1	150	DO-214AC (SMA)
SMAJ17	Unidirectional	400	18.9	23.1	17	1	150	DO-214AC (SMA)
SMAJ17H ●	Unidirectional	400	18.9	23.1	17	1	150	DO-214AC (SMA)
P4SMA20A	Unidirectional	400	19	21	17.1	1	150	DO-214AC (SMA)
P4SMA20AH ●	Unidirectional	400	19	21	17.1	1	150	DO-214AC (SMA)
BZW04-17 ●	Unidirectional	400	19	21	17.1	1	175	DO-204AL (DO-41)
P4KE20A ●	Unidirectional	400	19	21	17.1	1	175	DO-204AL (DO-41)
P4SMA22	Unidirectional	400	19.8	24.2	17.8	1	150	DO-214AC (SMA)
P4SMA22H ●	Unidirectional	400	19.8	24.2	17.8	1	150	DO-214AC (SMA)
P4KE22 ●	Unidirectional	400	19.8	24.2	17.8	1	175	DO-204AL (DO-41)
SMAJ18A	Unidirectional	400	20	22.1	18	1	150	DO-214AC (SMA)
SMAJ18AH ●	Unidirectional	400	20	22.1	18	1	150	DO-214AC (SMA)
SMAJ18	Unidirectional	400	20	24.4	18	1	150	DO-214AC (SMA)
SMAJ18H ●	Unidirectional	400	20	24.4	18	1	150	DO-214AC (SMA)
SMA4S18AH ●	Unidirectional	400	20.1	22.2	18	1	175	SOD-128
SMA4F18AH ●	Unidirectional	400	20.1	22.2	18	1	175	Thin SMA
P4SMA22A	Unidirectional	400	20.9	23.1	18.8	1	150	DO-214AC (SMA)
P4SMA22AH ●	Unidirectional	400	20.9	23.1	18.8	1	150	DO-214AC (SMA)

Part Number	Configuration	P <sub>PK</sub> (W)	Breakdown Voltage		VWM(V)	I <sub>R</sub> (μA)	T <sub>j</sub> Max. (°C)	Package Description
			V <sub>BR</sub> Min.(V)	V <sub>BR</sub> Max.(V)				
BZW04-19 ●	Unidirectional	400	20.9	23.1	18.8	1	175	DO-204AL (DO-41)
P4KE22A ●	Unidirectional	400	20.9	23.1	18.8	1	175	DO-204AL (DO-41)
P4SMA24	Unidirectional	400	21.6	26.4	19.4	1	150	DO-214AC (SMA)
P4SMA24H ●	Unidirectional	400	21.6	26.4	19.4	1	150	DO-214AC (SMA)
P4KE24 ●	Unidirectional	400	21.6	26.4	19.4	1	175	DO-204AL (DO-41)
SMAJ20A	Unidirectional	400	22.2	24.5	20	1	150	DO-214AC (SMA)
SMAJ20AH ●	Unidirectional	400	22.2	24.5	20	1	150	DO-214AC (SMA)
SMAJ20	Unidirectional	400	22.2	27.1	20	1	150	DO-214AC (SMA)
SMAJ20H ●	Unidirectional	400	22.2	27.1	20	1	150	DO-214AC (SMA)
SMA4S20AH ●	Unidirectional	400	22.4	24.7	20	1	175	SOD-128
SMA4F20AH ●	Unidirectional	400	22.4	24.7	20	1	175	Thin SMA
P4SMA24A	Unidirectional	400	22.8	25.2	20.5	1	150	DO-214AC (SMA)
P4SMA24AH ●	Unidirectional	400	22.8	25.2	20.5	1	150	DO-214AC (SMA)
BZW04-20 ●	Unidirectional	400	22.8	25.2	20.5	1	175	DO-204AL (DO-41)
P4KE24A ●	Unidirectional	400	22.8	25.2	20.5	1	175	DO-204AL (DO-41)
SMA4S21AH ●	Unidirectional	400	23.5	25.9	21	1	175	SOD-128
SMA4F21AH ●	Unidirectional	400	23.5	25.9	21	1	175	Thin SMA
P4SMA27	Unidirectional	400	24.3	29.7	21.8	1	150	DO-214AC (SMA)
P4SMA27H ●	Unidirectional	400	24.3	29.7	21.8	1	150	DO-214AC (SMA)
P4KE27 ●	Unidirectional	400	24.3	29.7	21.8	1	175	DO-204AL (DO-41)
SMAJ22A	Unidirectional	400	24.4	26.9	22	1	150	DO-214AC (SMA)
SMAJ22AH ●	Unidirectional	400	24.4	26.9	22	1	150	DO-214AC (SMA)
SMAJ22	Unidirectional	400	24.4	29.8	22	1	150	DO-214AC (SMA)
SMAJ22H ●	Unidirectional	400	24.4	29.8	22	1	150	DO-214AC (SMA)
SMA4S22AH ●	Unidirectional	400	24.6	27.2	22	1	175	SOD-128
SMA4F22AH ●	Unidirectional	400	24.6	27.2	22	1	175	Thin SMA
P4SMA27A	Unidirectional	400	25.7	28.4	23.1	1	150	DO-214AC (SMA)

## TVS

(T<sub>A</sub>=25°C unless otherwise noted)

● =AEC-Q qualified

Part Number	Configuration	P <sub>PK</sub> (W)	Breakdown Voltage		VWM(V)	I <sub>R</sub> (μA)	T <sub>J</sub> Max. (°C)	Package Description
			V <sub>BR</sub> Min.(V)	V <sub>BR</sub> Max.(V)				
P4SMA27AH ●	Unidirectional	400	25.7	28.4	23.1	1	150	DO-214AC (SMA)
BZW04-23 ●	Unidirectional	400	25.7	28.4	23.1	1	175	DO-204AL (DO-41)
P4KE27A ●	Unidirectional	400	25.7	28.4	23.1	1	175	DO-204AL (DO-41)
SMAJ24A	Unidirectional	400	26.7	29.5	24	1	150	DO-214AC (SMA)
SMAJ24AH ●	Unidirectional	400	26.7	29.5	24	1	150	DO-214AC (SMA)
SMAJ24	Unidirectional	400	26.7	32.6	24	1	150	DO-214AC (SMA)
SMAJ24H ●	Unidirectional	400	26.7	32.6	24	1	150	DO-214AC (SMA)
SMA4S24AH ●	Unidirectional	400	26.8	29.6	24	1	175	SOD-128
SMA4F24AH ●	Unidirectional	400	26.8	29.6	24	1	175	Thin SMA
P4SMA30	Unidirectional	400	27	33	24.3	1	150	DO-214AC (SMA)
P4SMA30H ●	Unidirectional	400	27	33	24.3	1	150	DO-214AC (SMA)
P4KE30 ●	Unidirectional	400	27	33	24.3	1	175	DO-204AL (DO-41)
SMA4S25AH ●	Unidirectional	400	27.9	30.9	25	1	175	SOD-128
SMA4F25AH ●	Unidirectional	400	27.9	30.9	25	1	175	Thin SMA
P4SMA30A	Unidirectional	400	28.5	31.5	25.6	1	150	DO-214AC (SMA)
P4SMA30AH ●	Unidirectional	400	28.5	31.5	25.6	1	150	DO-214AC (SMA)
BZW04-26 ●	Unidirectional	400	28.5	31.5	25.6	1	175	DO-204AL (DO-41)
P4KE30A ●	Unidirectional	400	28.5	31.5	25.6	1	175	DO-204AL (DO-41)
SMAJ26A	Unidirectional	400	28.9	31.9	26	1	150	DO-214AC (SMA)
SMAJ26AH ●	Unidirectional	400	28.9	31.9	26	1	150	DO-214AC (SMA)
SMAJ26	Unidirectional	400	28.9	35.3	26	1	150	DO-214AC (SMA)
SMAJ26H ●	Unidirectional	400	28.9	35.3	26	1	150	DO-214AC (SMA)
SMA4S26AH ●	Unidirectional	400	29.1	32.1	26	1	175	SOD-128
SMA4F26AH ●	Unidirectional	400	29.1	32.1	26	1	175	Thin SMA
P4SMA33	Unidirectional	400	29.7	36.3	26.8	1	150	DO-214AC (SMA)
P4SMA33H ●	Unidirectional	400	29.7	36.3	26.8	1	150	DO-214AC (SMA)
P4KE33 ●	Unidirectional	400	29.7	36.3	26.8	1	175	DO-204AL (DO-41)

Part Number	Configuration	P <sub>PK</sub> (W)	Breakdown Voltage		VWM(V)	I <sub>R</sub> (μA)	T <sub>J</sub> Max. (°C)	Package Description
			V <sub>BR</sub> Min.(V)	V <sub>BR</sub> Max.(V)				
SMAJ28A	Unidirectional	400	31.1	34.4	28	1	150	DO-214AC (SMA)
SMAJ28AH ●	Unidirectional	400	31.1	34.4	28	1	150	DO-214AC (SMA)
SMAJ28	Unidirectional	400	31.1	38	28	1	150	DO-214AC (SMA)
SMAJ28H ●	Unidirectional	400	31.1	38	28	1	150	DO-214AC (SMA)
P4SMA33A	Unidirectional	400	31.4	34.7	28.2	1	150	DO-214AC (SMA)
P4SMA33AH ●	Unidirectional	400	31.4	34.7	28.2	1	150	DO-214AC (SMA)
BZW04-28 ●	Unidirectional	400	31.4	34.7	28.2	1	175	DO-204AL (DO-41)
P4KE33A ●	Unidirectional	400	31.4	34.7	28.2	1	175	DO-204AL (DO-41)
P4SMA36	Unidirectional	400	32.4	39.6	29.1	1	150	DO-214AC (SMA)
P4SMA36H ●	Unidirectional	400	32.4	39.6	29.1	1	150	DO-214AC (SMA)
P4KE36 ●	Unidirectional	400	32.4	39.6	29.1	1	175	DO-204AL (DO-41)
SMAJ30A	Unidirectional	400	33.3	36.8	30	1	150	DO-214AC (SMA)
SMAJ30AH ●	Unidirectional	400	33.3	36.8	30	1	150	DO-214AC (SMA)
SMAJ30	Unidirectional	400	33.3	40.7	30	1	150	DO-214AC (SMA)
SMAJ30H ●	Unidirectional	400	33.3	40.7	30	1	150	DO-214AC (SMA)
SMA4S30AH ●	Unidirectional	400	33.5	37.1	30	1	175	SOD-128
SMA4F30AH ●	Unidirectional	400	33.5	37.1	30	1	175	Thin SMA
P4SMA36A	Unidirectional	400	34.2	37.8	30.8	1	150	DO-214AC (SMA)
P4SMA36AH ●	Unidirectional	400	34.2	37.8	30.8	1	150	DO-214AC (SMA)
BZW04-31 ●	Unidirectional	400	34.2	37.8	30.8	1	175	DO-204AL (DO-41)
P4KE36A ●	Unidirectional	400	34.2	37.8	30.8	1	175	DO-204AL (DO-41)
P4SMA39	Unidirectional	400	35.1	42.9	31.6	1	150	DO-214AC (SMA)
P4SMA39H ●	Unidirectional	400	35.1	42.9	31.6	1	150	DO-214AC (SMA)
P4KE39 ●	Unidirectional	400	35.1	42.9	31.6	1	175	DO-204AL (DO-41)
SMAJ33A	Unidirectional	400	36.7	40.6	33	1	150	DO-214AC (SMA)
SMAJ33AH ●	Unidirectional	400	36.7	40.6	33	1	150	DO-214AC (SMA)
SMAJ33	Unidirectional	400	36.7	44.9	33	1	150	DO-214AC (SMA)

## TVS

(T<sub>A</sub>=25°C unless otherwise noted)

● =AEC-Q qualified

Part Number	Configuration	P <sub>PK</sub> (W)	Breakdown Voltage		VWM(V)	I <sub>R</sub> (μA)	T <sub>J</sub> Max. (°C)	Package Description
			V <sub>BR</sub> Min.(V)	V <sub>BR</sub> Max.(V)				
SMAJ33H ●	Unidirectional	400	36.7	44.9	33	1	150	DO-214AC (SMA)
SMA4S33AH ●	Unidirectional	400	36.9	40.8	33	1	175	SOD-128
SMA4F33AH ●	Unidirectional	400	36.9	40.8	33	1	175	Thin SMA
P4SMA39A	Unidirectional	400	37.1	41.0	33.3	1	150	DO-214AC (SMA)
P4SMA39AH ●	Unidirectional	400	37.1	41.0	33.3	1	150	DO-214AC (SMA)
BZW04-33 ●	Unidirectional	400	37.1	41	33.3	1	175	DO-204AL (DO-41)
P4KE39A ●	Unidirectional	400	37.1	41	33.3	1	175	DO-204AL (DO-41)
P4SMA43	Unidirectional	400	38.7	47.3	34.8	1	150	DO-214AC (SMA)
P4SMA43H ●	Unidirectional	400	38.7	47.3	34.8	1	150	DO-214AC (SMA)
P4KE43 ●	Unidirectional	400	38.7	47.3	34.8	1	175	DO-204AL (DO-41)
SMAJ36A	Unidirectional	400	40	44.2	36	1	150	DO-214AC (SMA)
SMAJ36AH ●	Unidirectional	400	40	44.2	36	1	150	DO-214AC (SMA)
SMAJ36	Unidirectional	400	40	48.9	36	1	150	DO-214AC (SMA)
SMAJ36H ●	Unidirectional	400	40	48.9	36	1	150	DO-214AC (SMA)
SMA4S36AH ●	Unidirectional	400	40.2	44.5	36	1	175	SOD-128
SMA4F36AH ●	Unidirectional	400	40.2	44.5	36	1	175	Thin SMA
P4SMA43A	Unidirectional	400	40.9	45.2	36.8	1	150	DO-214AC (SMA)
P4SMA43AH ●	Unidirectional	400	40.9	45.2	36.8	1	150	DO-214AC (SMA)
BZW04-37 ●	Unidirectional	400	40.9	45.2	36.8	1	175	DO-204AL (DO-41)
P4KE43A ●	Unidirectional	400	40.9	45.2	36.8	1	175	DO-204AL (DO-41)
P4SMA47	Unidirectional	400	42.3	51.7	38.1	1	150	DO-214AC (SMA)
P4SMA47H ●	Unidirectional	400	42.3	51.7	38.1	1	150	DO-214AC (SMA)
P4KE47 ●	Unidirectional	400	42.3	51.7	38.1	1	175	DO-204AL (DO-41)
SMA4S39AH ●	Unidirectional	400	43.6	48.2	39	1	175	SOD-128
SMA4F39AH ●	Unidirectional	400	43.6	48.2	39	1	175	Thin SMA
SMAJ40A	Unidirectional	400	44.4	49.1	40	1	150	DO-214AC (SMA)
SMAJ40AH ●	Unidirectional	400	44.4	49.1	40	1	150	DO-214AC (SMA)

Part Number	Configuration	P <sub>PK</sub> (W)	Breakdown Voltage		VWM(V)	I <sub>R</sub> (μA)	T <sub>J</sub> Max. (°C)	Package Description
			V <sub>BR</sub> Min.(V)	V <sub>BR</sub> Max.(V)				
SMAJ40	Unidirectional	400	44.4	54.3	40	1	150	DO-214AC (SMA)
SMAJ40H ●	Unidirectional	400	44.4	54.3	40	1	150	DO-214AC (SMA)
P4SMA47A	Unidirectional	400	44.7	49.4	40.2	1	150	DO-214AC (SMA)
P4SMA47AH ●	Unidirectional	400	44.7	49.4	40.2	1	150	DO-214AC (SMA)
SMA4S40AH ●	Unidirectional	400	44.7	49.4	40	1	175	SOD-128
SMA4F40AH ●	Unidirectional	400	44.7	49.4	40	1	175	Thin SMA
BZW04-40 ●	Unidirectional	400	44.7	49.4	40.2	1	175	DO-204AL (DO-41)
P4KE47A ●	Unidirectional	400	44.7	49.4	40.2	1	175	DO-204AL (DO-41)
P4SMA51	Unidirectional	400	45.9	56.1	41.3	1	150	DO-214AC (SMA)
P4SMA51H ●	Unidirectional	400	45.9	56.1	41.3	1	150	DO-214AC (SMA)
P4KE51 ●	Unidirectional	400	45.9	56.1	41.3	1	175	DO-204AL (DO-41)
SMAJ43A	Unidirectional	400	47.8	52.8	43	1	150	DO-214AC (SMA)
SMAJ43AH ●	Unidirectional	400	47.8	52.8	43	1	150	DO-214AC (SMA)
SMAJ43	Unidirectional	400	47.8	58.4	43	1	150	DO-214AC (SMA)
SMAJ43H ●	Unidirectional	400	47.8	58.4	43	1	150	DO-214AC (SMA)
SMA4S43AH ●	Unidirectional	400	48.1	53.1	43	1	175	SOD-128
SMA4F43AH ●	Unidirectional	400	48.1	53.1	43	1	175	Thin SMA
P4SMA51A	Unidirectional	400	48.5	53.6	43.6	1	150	DO-214AC (SMA)
P4SMA51AH ●	Unidirectional	400	48.5	53.6	43.6	1	150	DO-214AC (SMA)
BZW04-44 ●	Unidirectional	400	48.5	53.6	43.6	1	175	DO-204AL (DO-41)
P4KE51A ●	Unidirectional	400	48.5	53.6	43.6	1	175	DO-204AL (DO-41)
SMAJ45A	Unidirectional	400	50	55.3	45	1	150	DO-214AC (SMA)
SMAJ45AH ●	Unidirectional	400	50	55.3	45	1	150	DO-214AC (SMA)
SMAJ45	Unidirectional	400	50	61.1	45	1	150	DO-214AC (SMA)
SMAJ45H ●	Unidirectional	400	50	61.1	45	1	150	DO-214AC (SMA)
P4SMA56	Unidirectional	400	50.4	61.6	45.4	1	150	DO-214AC (SMA)
P4SMA56H ●	Unidirectional	400	50.4	61.6	45.4	1	150	DO-214AC (SMA)



## TVS

(T<sub>A</sub>=25°C unless otherwise noted)

● =AEC-Q qualified

Part Number	Configuration	P <sub>PK</sub> (W)	Breakdown Voltage		VWM(V)	I <sub>R</sub> (μA)	T <sub>j</sub> Max. (°C)	Package Description
			V <sub>BR</sub> Min.(V)	V <sub>BR</sub> Max.(V)				
P4KE56 ●	Unidirectional	400	50.4	61.6	45.4	1	175	DO-204AL (DO-41)
SMA4S47AH ●	Unidirectional	400	52.5	58.1	47	1	175	SOD-128
SMA4F47AH ●	Unidirectional	400	52.5	58.1	47	1	175	Thin SMA
P4SMA56A	Unidirectional	400	53.2	58.8	47.8	1	150	DO-214AC (SMA)
P4SMA56AH ●	Unidirectional	400	53.2	58.8	47.8	1	150	DO-214AC (SMA)
BZW04-48 ●	Unidirectional	400	53.2	58.8	47.8	1	175	DO-204AL (DO-41)
P4KE56A ●	Unidirectional	400	53.2	58.8	47.8	1	175	DO-204AL (DO-41)
SMAJ48A	Unidirectional	400	53.3	58.9	48	1	150	DO-214AC (SMA)
SMAJ48AH ●	Unidirectional	400	53.3	58.9	48	1	150	DO-214AC (SMA)
SMAJ48	Unidirectional	400	53.3	65.1	48	1	150	DO-214AC (SMA)
SMAJ48H ●	Unidirectional	400	53.3	65.1	48	1	150	DO-214AC (SMA)
P4SMA62	Unidirectional	400	55.8	68.2	50.2	1	150	DO-214AC (SMA)
P4SMA62H ●	Unidirectional	400	55.8	68.2	50.2	1	150	DO-214AC (SMA)
P4KE62 ●	Unidirectional	400	55.8	68.2	50.2	1	175	DO-204AL (DO-41)
SMAJ51A	Unidirectional	400	56.7	62.7	51	1	150	DO-214AC (SMA)
SMAJ51AH ●	Unidirectional	400	56.7	62.7	51	1	150	DO-214AC (SMA)
SMAJ51	Unidirectional	400	56.7	69.3	51	1	150	DO-214AC (SMA)
SMAJ51H ●	Unidirectional	400	56.7	69.3	51	1	150	DO-214AC (SMA)
SMA4S51AH ●	Unidirectional	400	57.0	63.0	51	1	175	SOD-128
SMA4F51AH ●	Unidirectional	400	57.0	63.0	51	1	175	Thin SMA
P4SMA62A	Unidirectional	400	58.9	65.1	53	1	150	DO-214AC (SMA)
P4SMA62AH ●	Unidirectional	400	58.9	65.1	53	1	150	DO-214AC (SMA)
BZW04-53 ●	Unidirectional	400	58.9	65.1	53	1	175	DO-204AL (DO-41)
P4KE62A ●	Unidirectional	400	58.9	65.1	53	1	175	DO-204AL (DO-41)
SMAJ54A	Unidirectional	400	60	66.3	54	1	150	DO-214AC (SMA)
SMAJ54AH ●	Unidirectional	400	60	66.3	54	1	150	DO-214AC (SMA)
SMAJ54	Unidirectional	400	60	73.3	54	1	150	DO-214AC (SMA)

Part Number	Configuration	P <sub>PK</sub> (W)	Breakdown Voltage		VWM(V)	I <sub>R</sub> (μA)	T <sub>j</sub> Max. (°C)	Package Description
			V <sub>BR</sub> Min.(V)	V <sub>BR</sub> Max.(V)				
SMAJ54H ●	Unidirectional	400	60	73.3	54	1	150	DO-214AC (SMA)
P4SMA68	Unidirectional	400	61.2	74.8	55.1	1	150	DO-214AC (SMA)
P4SMA68H ●	Unidirectional	400	61.2	74.8	55.1	1	150	DO-214AC (SMA)
P4KE68 ●	Unidirectional	400	61.2	74.8	55.1	1	175	DO-204AL (DO-41)
SMA4S56AH ●	Unidirectional	400	62.6	69.2	56	1	175	SOD-128
SMA4F56AH ●	Unidirectional	400	62.6	69.2	56	1	175	Thin SMA
SMAJ58A	Unidirectional	400	64.4	71.2	58	1	150	DO-214AC (SMA)
SMAJ58AH ●	Unidirectional	400	64.4	71.2	58	1	150	DO-214AC (SMA)
SMAJ58	Unidirectional	400	64.4	78.7	58	1	150	DO-214AC (SMA)
SMAJ58H ●	Unidirectional	400	64.4	78.7	58	1	150	DO-214AC (SMA)
P4SMA68A	Unidirectional	400	64.6	71.4	58.1	1	150	DO-214AC (SMA)
P4SMA68AH ●	Unidirectional	400	64.6	71.4	58.1	1	150	DO-214AC (SMA)
BZW04-58 ●	Unidirectional	400	64.6	71.4	58.1	1	175	DO-204AL (DO-41)
P4KE68A ●	Unidirectional	400	64.6	71.4	58.1	1	175	DO-204AL (DO-41)
SMAJ60A	Unidirectional	400	66.7	73.7	60	1	150	DO-214AC (SMA)
SMAJ60AH ●	Unidirectional	400	66.7	73.7	60	1	150	DO-214AC (SMA)
SMAJ60	Unidirectional	400	66.7	81.5	60	1	150	DO-214AC (SMA)
SMAJ60H ●	Unidirectional	400	66.7	81.5	60	1	150	DO-214AC (SMA)
SMA4S60AH ●	Unidirectional	400	67.1	74.1	60	1	175	SOD-128
SMA4F60AH ●	Unidirectional	400	67.1	74.1	60	1	175	Thin SMA
P4SMA75	Unidirectional	400	67.5	82.5	60.7	1	150	DO-214AC (SMA)
P4SMA75H ●	Unidirectional	400	67.5	82.5	60.7	1	150	DO-214AC (SMA)
P4KE75 ●	Unidirectional	400	67.5	82.5	60.7	1	175	DO-204AL (DO-41)
SMAJ64A	Unidirectional	400	71.1	78.6	64	1	150	DO-214AC (SMA)
SMAJ64AH ●	Unidirectional	400	71.1	78.6	64	1	150	DO-214AC (SMA)
P4SMA75A	Unidirectional	400	71.3	78.8	64.1	1	150	DO-214AC (SMA)
P4SMA75AH ●	Unidirectional	400	71.3	78.8	64.1	1	150	DO-214AC (SMA)

## TVS

(T<sub>A</sub>=25°C unless otherwise noted)

● =AEC-Q qualified

Part Number	Configuration	P <sub>PK</sub> (W)	Breakdown Voltage		VWM(V)	I <sub>R</sub> (μA)	T <sub>J</sub> Max. (°C)	Package Description
			V <sub>BR</sub> Min.(V)	V <sub>BR</sub> Max.(V)				
BZW04-64 ●	Unidirectional	400	71.3	78.8	64.1	1	175	DO-204AL (DO-41)
P4KE75A ●	Unidirectional	400	71.3	78.8	64.1	1	175	DO-204AL (DO-41)
P4SMA82	Unidirectional	400	73.8	90.2	66.4	1	150	DO-214AC (SMA)
P4SMA82H ●	Unidirectional	400	73.8	90.2	66.4	1	150	DO-214AC (SMA)
P4KE82 ●	Unidirectional	400	73.8	90.2	66.4	1	175	DO-204AL (DO-41)
P4SMA82A	Unidirectional	400	77.9	86.1	70.1	1	150	DO-214AC (SMA)
P4SMA82AH ●	Unidirectional	400	77.9	86.1	70.1	1	150	DO-214AC (SMA)
BZW04-70 ●	Unidirectional	400	77.9	86.1	70.1	1	175	DO-204AL (DO-41)
P4KE82A ●	Unidirectional	400	77.9	86.1	70.1	1	175	DO-204AL (DO-41)
P4SMA91	Unidirectional	400	81.9	100.0	73.7	1	150	DO-214AC (SMA)
P4SMA91H ●	Unidirectional	400	81.9	100.0	73.7	1	150	DO-214AC (SMA)
P4KE91 ●	Unidirectional	400	81.9	100	73.7	1	175	DO-204AL (DO-41)
P4SMA91A	Unidirectional	400	86.5	95.5	77.8	1	150	DO-214AC (SMA)
P4SMA91AH ●	Unidirectional	400	86.5	95.5	77.8	1	150	DO-214AC (SMA)
P4KE91A ●	Unidirectional	400	86.5	95.5	77.8	1	175	DO-204AL (DO-41)
BZW04-78 ●	Unidirectional	400	86.5	95.5	78	1	175	DO-204AL (DO-41)
P4SMA100	Unidirectional	400	90	110	81	1	150	DO-214AC (SMA)
P4SMA100H ●	Unidirectional	400	90	110	81	1	150	DO-214AC (SMA)
P4KE100 ●	Unidirectional	400	90	110	81	1	175	DO-204AL (DO-41)
P4SMA100A	Unidirectional	400	95	105	85.5	1	150	DO-214AC (SMA)
P4SMA100AH ●	Unidirectional	400	95	105	85.5	1	150	DO-214AC (SMA)
BZW04-85 ●	Unidirectional	400	95	105	85.5	1	175	DO-204AL (DO-41)
P4KE100A ●	Unidirectional	400	95	105	85.5	1	175	DO-204AL (DO-41)
P4SMA110	Unidirectional	400	99	121	89.2	1	150	DO-214AC (SMA)
P4SMA110H ●	Unidirectional	400	99	121	89.2	1	150	DO-214AC (SMA)
P4KE110 ●	Unidirectional	400	99	121	89.2	1	175	DO-204AL (DO-41)
P4SMA110A	Unidirectional	400	104.5	115.5	94	1	150	DO-214AC (SMA)

Part Number	Configuration	P <sub>PK</sub> (W)	Breakdown Voltage		VWM(V)	I <sub>R</sub> (μA)	T <sub>J</sub> Max. (°C)	Package Description
			V <sub>BR</sub> Min.(V)	V <sub>BR</sub> Max.(V)				
P4SMA110AH ●	Unidirectional	400	104.5	115.5	94	1	150	DO-214AC (SMA)
BZW04-94 ●	Unidirectional	400	105	116	94	1	175	DO-204AL (DO-41)
P4KE110A ●	Unidirectional	400	105	116	94	1	175	DO-204AL (DO-41)
P4SMA120	Unidirectional	400	108	132	97.2	1	150	DO-214AC (SMA)
P4SMA120H ●	Unidirectional	400	108	132	97.2	1	150	DO-214AC (SMA)
P4KE120 ●	Unidirectional	400	108	132	97.2	1	175	DO-204AL (DO-41)
P4SMA120A	Unidirectional	400	114	126	102	1	150	DO-214AC (SMA)
P4SMA120AH ●	Unidirectional	400	114	126	102	1	150	DO-214AC (SMA)
BZW04-102 ●	Unidirectional	400	114	126	102	1	175	DO-204AL (DO-41)
P4KE120A ●	Unidirectional	400	114	126	102	1	175	DO-204AL (DO-41)
P4SMA130	Unidirectional	400	117	143	105	1	150	DO-214AC (SMA)
P4SMA130H ●	Unidirectional	400	117	143	105	1	150	DO-214AC (SMA)
P4KE130 ●	Unidirectional	400	117	143	105	1	175	DO-204AL (DO-41)
P4SMA130A	Unidirectional	400	123.5	136.5	111	1	150	DO-214AC (SMA)
P4SMA130AH ●	Unidirectional	400	123.5	136.5	111	1	150	DO-214AC (SMA)
BZW04-110 ●	Unidirectional	400	124	137	111	1	175	DO-204AL (DO-41)
P4KE130A ●	Unidirectional	400	124	137	111	1	175	DO-204AL (DO-41)
P4SMA150	Unidirectional	400	135	165	121	1	150	DO-214AC (SMA)
P4SMA150H ●	Unidirectional	400	135	165	121	1	150	DO-214AC (SMA)
P4KE150 ●	Unidirectional	400	135	165	121	1	175	DO-204AL (DO-41)
P4SMA150A	Unidirectional	400	142.5	157.5	128	1	150	DO-214AC (SMA)
P4SMA150AH ●	Unidirectional	400	142.5	157.5	128	1	150	DO-214AC (SMA)
BZW04-128 ●	Unidirectional	400	143	158	128	1	175	DO-204AL (DO-41)
P4KE150A ●	Unidirectional	400	143	158	128	1	175	DO-204AL (DO-41)
P4SMA160	Unidirectional	400	144	176	130	1	150	DO-214AC (SMA)
P4SMA160H ●	Unidirectional	400	144	176	130	1	150	DO-214AC (SMA)
P4KE160 ●	Unidirectional	400	144	176	130	1	175	DO-204AL (DO-41)

## TVS

(T<sub>A</sub>=25°C unless otherwise noted)

● =AEC-Q qualified

Part Number	Configuration	P <sub>PK</sub> (W)	Breakdown Voltage		VWM(V)	I <sub>R</sub> (μA)	T <sub>J</sub> Max. (°C)	Package Description
			V <sub>BR</sub> Min.(V)	V <sub>BR</sub> Max.(V)				
P4SMA160A	Unidirectional	400	152	168	136	1	150	DO-214AC (SMA)
P4SMA160AH ●	Unidirectional	400	152	168	136	1	150	DO-214AC (SMA)
BZW04-136 ●	Unidirectional	400	152	168	136	1	175	DO-204AL (DO-41)
P4KE160A ●	Unidirectional	400	152	168	136	1	175	DO-204AL (DO-41)
P4SMA170	Unidirectional	400	153	187	138	1	150	DO-214AC (SMA)
P4SMA170H ●	Unidirectional	400	153	187	138	1	150	DO-214AC (SMA)
P4KE170 ●	Unidirectional	400	153	187	138	1	175	DO-204AL (DO-41)
BZW04-145 ●	Unidirectional	400	161	179	145	1	175	DO-204AL (DO-41)
P4SMA170A	Unidirectional	400	161.5	178.5	145	1	150	DO-214AC (SMA)
P4SMA170AH ●	Unidirectional	400	161.5	178.5	145	1	150	DO-214AC (SMA)
P4KE170A ●	Unidirectional	400	162	179	145	1	175	DO-204AL (DO-41)
P4SMA180	Unidirectional	400	162	198	146	1	150	DO-214AC (SMA)
P4SMA180H ●	Unidirectional	400	162	198	146	1	150	DO-214AC (SMA)
P4KE180 ●	Unidirectional	400	162	198	146	1	175	DO-204AL (DO-41)
P4SMA180A	Unidirectional	400	171	189	154	1	150	DO-214AC (SMA)
P4SMA180AH ●	Unidirectional	400	171	189	154	1	150	DO-214AC (SMA)
BZW04-154 ●	Unidirectional	400	171	189	154	1	175	DO-204AL (DO-41)
P4KE180A ●	Unidirectional	400	171	189	154	1	175	DO-204AL (DO-41)
P4SMA200	Unidirectional	400	180	220	162	1	150	DO-214AC (SMA)
P4SMA200H ●	Unidirectional	400	180	220	162	1	150	DO-214AC (SMA)
P4KE200 ●	Unidirectional	400	180	220	162	1	175	DO-204AL (DO-41)
P4SMA200A	Unidirectional	400	190	210	171	1	150	DO-214AC (SMA)
P4SMA200AH ●	Unidirectional	400	190	210	171	1	150	DO-214AC (SMA)
BZW04-171 ●	Unidirectional	400	190	210	171	1	175	DO-204AL (DO-41)
P4KE200A ●	Unidirectional	400	190	210	171	1	175	DO-204AL (DO-41)
P4KE220 ●	Unidirectional	400	198	242	175	1	175	DO-204AL (DO-41)
P4KE220A ●	Unidirectional	400	209	231	185	1	175	DO-204AL (DO-41)

Part Number	Configuration	P <sub>PK</sub> (W)	Breakdown Voltage		VWM(V)	I <sub>R</sub> (μA)	T <sub>J</sub> Max. (°C)	Package Description
			V <sub>BR</sub> Min.(V)	V <sub>BR</sub> Max.(V)				
BZW04-188 ●	Unidirectional	400	209	231	188	1	175	DO-204AL (DO-41)
P4KE250 ●	Unidirectional	400	225	275	202	1	175	DO-204AL (DO-41)
BZW04-213 ●	Unidirectional	400	237	263	213	1	175	DO-204AL (DO-41)
P4KE250A ●	Unidirectional	400	237	263	214	1	175	DO-204AL (DO-41)
BZW04-239 ●	Unidirectional	400	266	294	239	1	175	DO-204AL (DO-41)
P4KE300 ●	Unidirectional	400	270	330	243	1	175	DO-204AL (DO-41)
BZW04-256 ●	Unidirectional	400	285	315	256	1	175	DO-204AL (DO-41)
P4KE300A ●	Unidirectional	400	285	315	256	1	175	DO-204AL (DO-41)
BZW04-273 ●	Unidirectional	400	304	336	273	1	175	DO-204AL (DO-41)
P4KE350 ●	Unidirectional	400	315	385	284	1	175	DO-204AL (DO-41)
BZW04-299 ●	Unidirectional	400	332	368	299	1	175	DO-204AL (DO-41)
P4KE350A ●	Unidirectional	400	332	368	300	1	175	DO-204AL (DO-41)
P4KE400 ●	Unidirectional	400	360	440	324	1	175	DO-204AL (DO-41)
BZW04-342 ●	Unidirectional	400	380	420	342	1	175	DO-204AL (DO-41)
P4KE400A ●	Unidirectional	400	380	420	342	1	175	DO-204AL (DO-41)
P4KE440 ●	Unidirectional	400	396	484	356	1	175	DO-204AL (DO-41)
BZW04-376 ●	Unidirectional	400	418	462	376	1	175	DO-204AL (DO-41)
P4KE440A ●	Unidirectional	400	418	462	376	1	175	DO-204AL (DO-41)
SA5.0A	Unidirectional	500	6.4	7	5	600	175	DO-204AC (DO-15)
SA5.0	Unidirectional	500	6.4	7.3	5	600	175	DO-204AC (DO-15)
SA6.0A	Unidirectional	500	6.67	7.37	6	600	175	DO-204AC (DO-15)
SA6.0	Unidirectional	500	6.67	8.15	6	600	175	DO-204AC (DO-15)
SA6.5A	Unidirectional	500	7.22	7.98	6.5	400	175	DO-204AC (DO-15)
SA6.5	Unidirectional	500	7.22	8.82	6.5	400	175	DO-204AC (DO-15)
SA7.0A	Unidirectional	500	7.78	8.6	7	150	175	DO-204AC (DO-15)
SA7.0	Unidirectional	500	7.78	9.51	7	150	175	DO-204AC (DO-15)
SA7.5A	Unidirectional	500	8.33	9.21	7.5	50	175	DO-204AC (DO-15)

## TVS

(T<sub>A</sub>=25°C unless otherwise noted)

● =AEC-Q qualified

Part Number	Configuration	P <sub>PK</sub> (W)	Breakdown Voltage		VWM(V)	I <sub>R</sub> (μA)	T <sub>J</sub> Max. (°C)	Package Description
			V <sub>BR</sub> Min.(V)	V <sub>BR</sub> Max.(V)				
SA7.5	Unidirectional	500	8.33	10.2	7.5	50	175	DO-204AC (DO-15)
SA8.0A	Unidirectional	500	8.89	9.83	8	25	175	DO-204AC (DO-15)
SA8.0	Unidirectional	500	8.89	10.9	8	25	175	DO-204AC (DO-15)
SA8.5A	Unidirectional	500	9.44	10.4	8.5	10	175	DO-204AC (DO-15)
SA8.5 ●	Unidirectional	500	9.44	11.5	8.5	10	175	DO-204AC (DO-15)
SA9.0A ●	Unidirectional	500	10	11.1	9	5	175	DO-204AC (DO-15)
SA9.0 ●	Unidirectional	500	10	12.2	9	5	175	DO-204AC (DO-15)
SA10A ●	Unidirectional	500	11.1	12.3	10	1	175	DO-204AC (DO-15)
SA10 ●	Unidirectional	500	11.1	13.6	10	1	175	DO-204AC (DO-15)
SA11A ●	Unidirectional	500	12.2	13.5	11	1	175	DO-204AC (DO-15)
SA11 ●	Unidirectional	500	12.2	14.9	11	1	175	DO-204AC (DO-15)
SA12A ●	Unidirectional	500	13.3	14.7	12	1	175	DO-204AC (DO-15)
SA12 ●	Unidirectional	500	13.3	16.3	12	1	175	DO-204AC (DO-15)
SA13A ●	Unidirectional	500	14.4	15.9	13	1	175	DO-204AC (DO-15)
SA13 ●	Unidirectional	500	14.4	17.6	13	1	175	DO-204AC (DO-15)
SA14A ●	Unidirectional	500	15.6	17.2	14	1	175	DO-204AC (DO-15)
SA14 ●	Unidirectional	500	15.6	19.1	14	1	175	DO-204AC (DO-15)
SA15A ●	Unidirectional	500	16.7	18.5	15	1	175	DO-204AC (DO-15)
SA15 ●	Unidirectional	500	16.7	20.4	15	1	175	DO-204AC (DO-15)
SA16A ●	Unidirectional	500	17.8	19.7	16	1	175	DO-204AC (DO-15)
SA16 ●	Unidirectional	500	17.8	21.8	16	1	175	DO-204AC (DO-15)
SA17A ●	Unidirectional	500	18.9	20.9	17	1	175	DO-204AC (DO-15)
SA17 ●	Unidirectional	500	18.9	23.1	17	1	175	DO-204AC (DO-15)
SA18A ●	Unidirectional	500	20	22.1	18	1	175	DO-204AC (DO-15)
SA18 ●	Unidirectional	500	20	24.4	18	1	175	DO-204AC (DO-15)
SA20A ●	Unidirectional	500	22.2	24.5	20	1	175	DO-204AC (DO-15)
SA20 ●	Unidirectional	500	22.2	27.1	20	1	175	DO-204AC (DO-15)

Part Number	Configuration	P <sub>PK</sub> (W)	Breakdown Voltage		VWM(V)	I <sub>R</sub> (μA)	T <sub>J</sub> Max. (°C)	Package Description
			V <sub>BR</sub> Min.(V)	V <sub>BR</sub> Max.(V)				
SA22A ●	Unidirectional	500	24.4	26.9	22	1	175	DO-204AC (DO-15)
SA22 ●	Unidirectional	500	24.4	29.8	22	1	175	DO-204AC (DO-15)
SA24A ●	Unidirectional	500	26.7	29.5	24	1	175	DO-204AC (DO-15)
SA24 ●	Unidirectional	500	26.7	32.6	24	1	175	DO-204AC (DO-15)
SA26A ●	Unidirectional	500	28.9	31.9	26	1	175	DO-204AC (DO-15)
SA26 ●	Unidirectional	500	28.9	35.3	26	1	175	DO-204AC (DO-15)
SA28A ●	Unidirectional	500	31.1	34.4	28	1	175	DO-204AC (DO-15)
SA28 ●	Unidirectional	500	31.1	38	28	1	175	DO-204AC (DO-15)
SA30A ●	Unidirectional	500	33.3	36.8	30	1	175	DO-204AC (DO-15)
SA30 ●	Unidirectional	500	33.3	40.7	30	1	175	DO-204AC (DO-15)
SA33A ●	Unidirectional	500	36.7	40.6	33	1	175	DO-204AC (DO-15)
SA33 ●	Unidirectional	500	36.7	44.9	33	1	175	DO-204AC (DO-15)
SA36A ●	Unidirectional	500	40	44.2	36	1	175	DO-204AC (DO-15)
SA36 ●	Unidirectional	500	40	48.9	36	1	175	DO-204AC (DO-15)
SA40A ●	Unidirectional	500	44.4	49.1	40	1	175	DO-204AC (DO-15)
SA40 ●	Unidirectional	500	44.4	54.3	40	1	175	DO-204AC (DO-15)
SA43A ●	Unidirectional	500	47.8	52.8	43	1	175	DO-204AC (DO-15)
SA43 ●	Unidirectional	500	47.8	58.4	43	1	175	DO-204AC (DO-15)
SA45A ●	Unidirectional	500	50	55.3	45	1	175	DO-204AC (DO-15)
SA45 ●	Unidirectional	500	50	61.1	45	1	175	DO-204AC (DO-15)
SA48A ●	Unidirectional	500	53.3	58.9	48	1	175	DO-204AC (DO-15)
SA48 ●	Unidirectional	500	53.3	65.2	48	1	175	DO-204AC (DO-15)
SA51A ●	Unidirectional	500	56.7	62.7	51	1	175	DO-204AC (DO-15)
SA51 ●	Unidirectional	500	56.7	69.3	51	1	175	DO-204AC (DO-15)
SA54A ●	Unidirectional	500	60	66.3	54	1	175	DO-204AC (DO-15)
SA54 ●	Unidirectional	500	60	73.3	54	1	175	DO-204AC (DO-15)
SA58A ●	Unidirectional	500	64.4	71.2	58	1	175	DO-204AC (DO-15)

## TVS

(T<sub>A</sub>=25°C unless otherwise noted)

● =AEC-Q qualified

Part Number	Configuration	P <sub>PK</sub> (W)	Breakdown Voltage		VWM(V)	I <sub>R</sub> (μA)	T <sub>J</sub> Max. (°C)	Package Description
			V <sub>BR</sub> Min.(V)	V <sub>BR</sub> Max.(V)				
SA58 ●	Unidirectional	500	64.4	78.7	58	1	175	DO-204AC (DO-15)
SA60A ●	Unidirectional	500	66.7	73.7	60	1	175	DO-204AC (DO-15)
SA60 ●	Unidirectional	500	66.7	81.5	60	1	175	DO-204AC (DO-15)
SA64A ●	Unidirectional	500	71.1	78.6	64	1	175	DO-204AC (DO-15)
SA64 ●	Unidirectional	500	71.1	86.9	64	1	175	DO-204AC (DO-15)
SA70 ●	Unidirectional	500	77.8	95.1	70	1	175	DO-204AC (DO-15)
SA70A ●	Unidirectional	500	77.8	86	70	1	175	DO-204AC (DO-15)
SA78A ●	Unidirectional	500	86.7	95.8	78	1	175	DO-204AC (DO-15)
SA78 ●	Unidirectional	500	86.7	103	78	1	175	DO-204AC (DO-15)
SA75A ●	Unidirectional	500	88.3	92.1	75	1	175	DO-204AC (DO-15)
SA75 ●	Unidirectional	500	88.3	102	75	1	175	DO-204AC (DO-15)
SA85A ●	Unidirectional	500	94.4	104	85	1	175	DO-204AC (DO-15)
SA85 ●	Unidirectional	500	94.4	115	85	1	175	DO-204AC (DO-15)
SA90A ●	Unidirectional	500	100	111	90	1	175	DO-204AC (DO-15)
SA90 ●	Unidirectional	500	100	122	90	1	175	DO-204AC (DO-15)
SA100A ●	Unidirectional	500	111	123	100	1	175	DO-204AC (DO-15)
SA100 ●	Unidirectional	500	111	136	100	1	175	DO-204AC (DO-15)
SA110A ●	Unidirectional	500	122	135	110	1	175	DO-204AC (DO-15)
SA110 ●	Unidirectional	500	122	149	110	1	175	DO-204AC (DO-15)
SA120A ●	Unidirectional	500	133	147	120	1	175	DO-204AC (DO-15)
SA120 ●	Unidirectional	500	133	163	120	1	175	DO-204AC (DO-15)
SA130A ●	Unidirectional	500	144	159	130	1	175	DO-204AC (DO-15)
SA130 ●	Unidirectional	500	144	176	130	1	175	DO-204AC (DO-15)
SA150A ●	Unidirectional	500	167	185	150	1	175	DO-204AC (DO-15)
SA150 ●	Unidirectional	500	167	204	150	1	175	DO-204AC (DO-15)
SA160A ●	Unidirectional	500	178	197	160	1	175	DO-204AC (DO-15)
SA160 ●	Unidirectional	500	178	218	160	1	175	DO-204AC (DO-15)

Part Number	Configuration	P <sub>PK</sub> (W)	Breakdown Voltage		VWM(V)	I <sub>R</sub> (μA)	T <sub>J</sub> Max. (°C)	Package Description
			V <sub>BR</sub> Min.(V)	V <sub>BR</sub> Max.(V)				
SA170A ●	Unidirectional	500	189	209	170	1	175	DO-204AC (DO-15)
SA170 ●	Unidirectional	500	189	231	170	1	175	DO-204AC (DO-15)
P6SMB6.8	Unidirectional	600	6.12	7.48	5.5	1,000	150	DO-214AA (SMB)
P6SMB6.8H ●	Unidirectional	600	6.12	7.48	5.5	1000	150	DO-214AA (SMB)
P6KE6.8 ●	Unidirectional	600	6.12	7.48	5.5	1,000	175	DO-204AC (DO-15)
SMBJ5.0A	Unidirectional	600	6.4	7	5	800	150	DO-214AA (SMB)
SMBJ5.0AH ●	Unidirectional	600	6.4	7	5	800	150	DO-214AA (SMB)
SMBJ5V0A	Unidirectional	600	6.4	7	5	800	150	DO-214AA (SMB)
SMBJ5.0	Unidirectional	600	6.4	7.3	5	800	150	DO-214AA (SMB)
SMBJ5.0H ●	Unidirectional	600	6.4	7.3	5	800	150	DO-214AA (SMB)
P6SMB6.8AH ●	Unidirectional	600	6.45	7.14	5.8	1000	150	DO-214AA (SMB)
P6KE6.8A ●	Unidirectional	600	6.45	7.14	5.8	1,000	175	DO-204AC (DO-15)
P6SMB6.8A	Unidirectional	600	6.46	7.14	5.8	1,000	150	DO-214AA (SMB)
P6KE6V8A	Unidirectional	600	6.46	7.14	5.8	1,000	175	DO-204AC (DO-15)
SMBJ6.0A	Unidirectional	600	6.67	7.37	6	800	150	DO-214AA (SMB)
SMBJ6.0AH ●	Unidirectional	600	6.67	7.37	6	800	150	DO-214AA (SMB)
SMBJ6V0A	Unidirectional	600	6.67	7.37	6	800	150	DO-214AA (SMB)
SMBJ6.0	Unidirectional	600	6.67	8.15	6	800	150	DO-214AA (SMB)
SMBJ6.0H ●	Unidirectional	600	6.67	8.15	6	800	150	DO-214AA (SMB)
P6SMB7.5	Unidirectional	600	6.75	8.25	6.05	500	150	DO-214AA (SMB)
P6SMB7.5H ●	Unidirectional	600	6.75	8.25	6.05	500	150	DO-214AA (SMB)
P6KE7.5 ●	Unidirectional	600	6.75	8.25	6.05	500	175	DO-204AC (DO-15)
P6SMB7.5A	Unidirectional	600	7.13	7.88	6.4	500	150	DO-214AA (SMB)
P6SMB7.5AH ●	Unidirectional	600	7.13	7.88	6.4	500	150	DO-214AA (SMB)
P6KE7.5A ●	Unidirectional	600	7.13	7.88	6.4	500	175	DO-204AC (DO-15)
P6KE7V5A	Unidirectional	600	7.13	7.88	6.4	500	175	DO-204AC (DO-15)
SMBJ6.5A	Unidirectional	600	7.22	7.98	6.5	500	150	DO-214AA (SMB)

## TVS

(T<sub>A</sub>=25°C unless otherwise noted)

● =AEC-Q qualified

Part Number	Configuration	P <sub>PK</sub> (W)	Breakdown Voltage		VWM(V)	I <sub>R</sub> (μA)	T <sub>J</sub> Max. (°C)	Package Description
			V <sub>BR</sub> Min.(V)	V <sub>BR</sub> Max.(V)				
SMBJ6.5AH ●	Unidirectional	600	7.22	7.98	6.5	500	150	DO-214AA (SMB)
SMBJ6V5A	Unidirectional	600	7.22	7.98	6.5	500	150	DO-214AA (SMB)
SMBJ6.5	Unidirectional	600	7.22	8.82	6.5	500	150	DO-214AA (SMB)
SMBJ6.5H ●	Unidirectional	600	7.22	8.82	6.5	500	150	DO-214AA (SMB)
P6SMB8.2	Unidirectional	600	7.38	9.02	6.63	200	150	DO-214AA (SMB)
P6SMB8.2H ●	Unidirectional	600	7.38	9.02	6.63	200	150	DO-214AA (SMB)
P6KE8.2 ●	Unidirectional	600	7.38	9.02	6.63	200	175	DO-204AC (DO-15)
SMBJ7.0A	Unidirectional	600	7.78	8.6	7	200	150	DO-214AA (SMB)
SMBJ7.0AH ●	Unidirectional	600	7.78	8.6	7	200	150	DO-214AA (SMB)
SMBJ7V0A	Unidirectional	600	7.78	8.6	7	200	150	DO-214AA (SMB)
SMBJ7.0	Unidirectional	600	7.78	9.51	7	200	150	DO-214AA (SMB)
SMBJ7.0H ●	Unidirectional	600	7.78	9.51	7	200	150	DO-214AA (SMB)
P6SMB8.2A	Unidirectional	600	7.79	8.61	7.02	200	150	DO-214AA (SMB)
P6SMB8.2AH ●	Unidirectional	600	7.79	8.61	7.02	200	150	DO-214AA (SMB)
P6KE8.2A ●	Unidirectional	600	7.79	8.61	7.02	200	175	DO-204AC (DO-15)
P6KE8V2A	Unidirectional	600	7.79	8.61	7.02	200	175	DO-204AC (DO-15)
P6SMB9.1	Unidirectional	600	8.19	10.00	7.37	50	150	DO-214AA (SMB)
P6SMB9.1H ●	Unidirectional	600	8.19	10.00	7.37	50	150	DO-214AA (SMB)
P6KE9.1 ●	Unidirectional	600	8.19	10	7.37	50	175	DO-204AC (DO-15)
SMBJ7.5A	Unidirectional	600	8.33	9.21	7.5	100	150	DO-214AA (SMB)
SMBJ7.5AH ●	Unidirectional	600	8.33	9.21	7.5	100	150	DO-214AA (SMB)
SMBJ7V5A	Unidirectional	600	8.33	9.21	7.5	100	150	DO-214AA (SMB)
SMBJ7.5	Unidirectional	600	8.33	10.3	7.5	100	150	DO-214AA (SMB)
SMBJ7.5H ●	Unidirectional	600	8.33	10.3	7.5	100	150	DO-214AA (SMB)
P6SMB9.1A	Unidirectional	600	8.65	9.55	7.78	50	150	DO-214AA (SMB)
P6SMB9.1AH ●	Unidirectional	600	8.65	9.55	7.78	50	150	DO-214AA (SMB)
P6KE9.1A ●	Unidirectional	600	8.65	9.55	7.78	50	175	DO-204AC (DO-15)

Part Number	Configuration	P <sub>PK</sub> (W)	Breakdown Voltage		VWM(V)	I <sub>R</sub> (μA)	T <sub>J</sub> Max. (°C)	Package Description
			V <sub>BR</sub> Min.(V)	V <sub>BR</sub> Max.(V)				
P6KE9V1A	Unidirectional	600	8.65	9.55	7.78	50	175	DO-204AC (DO-15)
SMBJ8.0A	Unidirectional	600	8.89	9.83	8	50	150	DO-214AA (SMB)
SMBJ8.0AH ●	Unidirectional	600	8.89	9.83	8	50	150	DO-214AA (SMB)
SMBJ8V0A	Unidirectional	600	8.89	9.83	8	50	150	DO-214AA (SMB)
SMBJ8.0	Unidirectional	600	8.89	10.9	8	50	150	DO-214AA (SMB)
SMBJ8.0H ●	Unidirectional	600	8.89	10.9	8	50	150	DO-214AA (SMB)
P6SMB10	Unidirectional	600	9.00	11.00	8.1	10	150	DO-214AA (SMB)
P6SMB10H ●	Unidirectional	600	9.00	11.00	8.1	10	150	DO-214AA (SMB)
P6KE10 ●	Unidirectional	600	9	11	8.1	10	175	DO-204AC (DO-15)
SMBJ8.5A	Unidirectional	600	9.44	10.4	8.5	10	150	DO-214AA (SMB)
SMBJ8.5AH ●	Unidirectional	600	9.44	10.4	8.5	10	150	DO-214AA (SMB)
SMBJ8V5A	Unidirectional	600	9.44	10.4	8.5	20	150	DO-214AA (SMB)
SMBJ8.5	Unidirectional	600	9.44	11.5	8.5	10	150	DO-214AA (SMB)
SMBJ8.5H ●	Unidirectional	600	9.44	11.5	8.5	10	150	DO-214AA (SMB)
P6SMB10A	Unidirectional	600	9.5	10.5	8.55	10	150	DO-214AA (SMB)
P6SMB10AH ●	Unidirectional	600	9.5	10.5	8.55	10	150	DO-214AA (SMB)
P6KE10A ●	Unidirectional	600	9.5	10.5	8.55	10	175	DO-204AC (DO-15)
P6SMB11	Unidirectional	600	9.90	12.1	8.92	1	150	DO-214AA (SMB)
P6SMB11H ●	Unidirectional	600	9.90	12.1	8.92	1	150	DO-214AA (SMB)
P6KE11 ●	Unidirectional	600	9.9	12.1	8.92	1	175	DO-204AC (DO-15)
SMBJ9.0A	Unidirectional	600	10	11.1	9	5	150	DO-214AA (SMB)
SMBJ9.0AH ●	Unidirectional	600	10	11.1	9	5	150	DO-214AA (SMB)
SMBJ9V0A	Unidirectional	600	10	11.1	9	10	150	DO-214AA (SMB)
SMBJ9.0	Unidirectional	600	10	12.2	9	5	150	DO-214AA (SMB)
SMBJ9.0H ●	Unidirectional	600	10	12.2	9	5	150	DO-214AA (SMB)
P6SMB11A	Unidirectional	600	10.5	11.6	9.4	1	150	DO-214AA (SMB)
P6SMB11AH ●	Unidirectional	600	10.5	11.6	9.4	1	150	DO-214AA (SMB)

## TVS

(T<sub>A</sub>=25°C unless otherwise noted)

● =AEC-Q qualified

Part Number	Configuration	P <sub>PK</sub> (W)	Breakdown Voltage		VWM(V)	I <sub>R</sub> (μA)	T <sub>j</sub> Max. (°C)	Package Description
			V <sub>BR</sub> Min.(V)	V <sub>BR</sub> Max.(V)				
P6KE11A ●	Unidirectional	600	10.5	11.6	9.4	1	175	DO-204AC (DO-15)
P6SMB12	Unidirectional	600	10.8	13.2	9.72	1	150	DO-214AA (SMB)
P6SMB12H ●	Unidirectional	600	10.8	13.2	9.72	1	150	DO-214AA (SMB)
P6KE12 ●	Unidirectional	600	10.8	13.2	9.72	1	175	DO-204AC (DO-15)
SMBJ10A	Unidirectional	600	11.1	12.3	10	5	150	DO-214AA (SMB)
SMBJ10AH ●	Unidirectional	600	11.1	12.3	10	5	150	DO-214AA (SMB)
SMA6J10A	Unidirectional	600	11.1	12.3	10	5.0	175	DO-214AC (SMA)
SMA6J10AH ●	Unidirectional	600	11.1	12.3	10	5.0	175	DO-214AC (SMA)
SMBJ10	Unidirectional	600	11.1	13.6	10	5	150	DO-214AA (SMB)
SMBJ10H ●	Unidirectional	600	11.1	13.6	10	5	150	DO-214AA (SMB)
P6SMB12A	Unidirectional	600	11.4	12.6	10.2	1	150	DO-214AA (SMB)
P6SMB12AH ●	Unidirectional	600	11.4	12.6	10.2	1	150	DO-214AA (SMB)
P6KE12A ●	Unidirectional	600	11.4	12.6	10.2	1	175	DO-204AC (DO-15)
P6SMB13	Unidirectional	600	11.7	14.3	10.5	1	150	DO-214AA (SMB)
P6SMB13H ●	Unidirectional	600	11.7	14.3	10.5	1	150	DO-214AA (SMB)
P6KE13 ●	Unidirectional	600	11.7	14.3	10.5	1	175	DO-204AC (DO-15)
SMBJ11A	Unidirectional	600	12.2	13.5	11	1	150	DO-214AA (SMB)
SMBJ11AH ●	Unidirectional	600	12.2	13.5	11	1	150	DO-214AA (SMB)
SMA6J11A	Unidirectional	600	12.2	13.5	11	5.0	175	DO-214AC (SMA)
SMA6J11AH ●	Unidirectional	600	12.2	13.5	11	5.0	175	DO-214AC (SMA)
SMBJ11	Unidirectional	600	12.2	14.9	11	1	150	DO-214AA (SMB)
SMBJ11H ●	Unidirectional	600	12.2	14.9	11	1	150	DO-214AA (SMB)
P6SMB13A	Unidirectional	600	12.4	13.7	11.1	1	150	DO-214AA (SMB)
P6SMB13AH ●	Unidirectional	600	12.4	13.7	11.1	1	150	DO-214AA (SMB)
P6KE13A ●	Unidirectional	600	12.4	13.7	11.1	1	175	DO-204AC (DO-15)
SMBJ12A	Unidirectional	600	13.3	14.7	12	1	150	DO-214AA (SMB)
SMBJ12AH ●	Unidirectional	600	13.3	14.7	12	1	150	DO-214AA (SMB)

Part Number	Configuration	P <sub>PK</sub> (W)	Breakdown Voltage		VWM(V)	I <sub>R</sub> (μA)	T <sub>j</sub> Max. (°C)	Package Description
			V <sub>BR</sub> Min.(V)	V <sub>BR</sub> Max.(V)				
SMA6J12A	Unidirectional	600	13.3	14.7	12	1.0	175	DO-214AC (SMA)
SMA6J12AH ●	Unidirectional	600	13.3	14.7	12	1.0	175	DO-214AC (SMA)
SMBJ12	Unidirectional	600	13.3	16.3	12	1	150	DO-214AA (SMB)
SMBJ12H ●	Unidirectional	600	13.3	16.3	12	1	150	DO-214AA (SMB)
SMA6S12AH ●	Unidirectional	600	13.4	14.8	12	1	175	SOD-128
SMA6F12AH ●	Unidirectional	600	13.4	14.8	12	1	175	Thin SMA
P6SMB15	Unidirectional	600	13.5	16.5	12.1	1	150	DO-214AA (SMB)
P6SMB15H ●	Unidirectional	600	13.5	16.5	12.1	1	150	DO-214AA (SMB)
P6KE15 ●	Unidirectional	600	13.5	16.5	12.1	1	175	DO-204AC (DO-15)
P6SMB15A	Unidirectional	600	14.3	15.8	12.8	1	150	DO-214AA (SMB)
P6SMB15AH ●	Unidirectional	600	14.3	15.8	12.8	1	150	DO-214AA (SMB)
P6KE15A ●	Unidirectional	600	14.3	15.8	12.8	1	175	DO-204AC (DO-15)
BZW06-13 ●	Unidirectional	600	14.3	15.8	12.8	5	175	DO-204AC (DO-15)
SMBJ13A	Unidirectional	600	14.4	15.9	13	1	150	DO-214AA (SMB)
SMBJ13AH ●	Unidirectional	600	14.4	15.9	13	1	150	DO-214AA (SMB)
SMA6J13A	Unidirectional	600	14.4	15.9	13	1.0	175	DO-214AC (SMA)
SMA6J13AH ●	Unidirectional	600	14.4	15.9	13	1.0	175	DO-214AC (SMA)
P6SMB16	Unidirectional	600	14.4	17.6	12.9	1	150	DO-214AA (SMB)
P6SMB16H ●	Unidirectional	600	14.4	17.6	12.9	1	150	DO-214AA (SMB)
P6KE16 ●	Unidirectional	600	14.4	17.6	12.9	1	175	DO-204AC (DO-15)
SMBJ13	Unidirectional	600	14.4	17.6	13	1	150	DO-214AA (SMB)
SMBJ13H ●	Unidirectional	600	14.4	17.6	13	1	150	DO-214AA (SMB)
P6SMB16A	Unidirectional	600	15.2	16.8	13.6	1	150	DO-214AA (SMB)
P6SMB16AH ●	Unidirectional	600	15.2	16.8	13.6	1	150	DO-214AA (SMB)
P6KE16A ●	Unidirectional	600	15.2	16.8	13.6	1	175	DO-204AC (DO-15)
SMBJ14A	Unidirectional	600	15.6	17.2	14	1	150	DO-214AA (SMB)
SMBJ14AH ●	Unidirectional	600	15.6	17.2	14	1	150	DO-214AA (SMB)

## TVS

(T<sub>A</sub>=25°C unless otherwise noted)

● =AEC-Q qualified

Part Number	Configuration	P <sub>PK</sub> (W)	Breakdown Voltage		VWM(V)	I <sub>R</sub> (μA)	T <sub>j</sub> Max. (°C)	Package Description
			V <sub>BR</sub> Min.(V)	V <sub>BR</sub> Max.(V)				
SMBJ14	Unidirectional	600	15.6	19.1	14	1	150	DO-214AA (SMB)
SMBJ14H ●	Unidirectional	600	15.6	19.1	14	1	150	DO-214AA (SMB)
P6SMB18	Unidirectional	600	16.2	19.8	14.5	1	150	DO-214AA (SMB)
P6SMB18H ●	Unidirectional	600	16.2	19.8	14.5	1	150	DO-214AA (SMB)
P6KE18 ●	Unidirectional	600	16.2	19.8	14.5	1	175	DO-204AC (DO-15)
SMBJ15A	Unidirectional	600	16.7	18.5	15	1	150	DO-214AA (SMB)
SMBJ15AH ●	Unidirectional	600	16.7	18.5	15	1	150	DO-214AA (SMB)
SMA6J15A	Unidirectional	600	16.7	18.5	15	1.0	175	DO-214AC (SMA)
SMA6J15AH ●	Unidirectional	600	16.7	18.5	15	1.0	175	DO-214AC (SMA)
SMBJ15	Unidirectional	600	16.7	20.4	15	1	150	DO-214AA (SMB)
SMBJ15H ●	Unidirectional	600	16.7	20.4	15	1	150	DO-214AA (SMB)
SMA6S15AH ●	Unidirectional	600	16.8	18.5	15	1	175	SOD-128
SMA6F15AH ●	Unidirectional	600	16.8	18.5	15	1	175	Thin SMA
P6SMB18A	Unidirectional	600	17.1	18.9	15.3	1	150	DO-214AA (SMB)
P6SMB18AH ●	Unidirectional	600	17.1	18.9	15.3	1	150	DO-214AA (SMB)
BZW06-15 ●	Unidirectional	600	17.1	18.9	15.3	1	175	DO-204AC (DO-15)
P6KE18A ●	Unidirectional	600	17.1	18.9	15.3	1	175	DO-204AC (DO-15)
SMBJ16A	Unidirectional	600	17.8	19.7	16	1	150	DO-214AA (SMB)
SMBJ16AH ●	Unidirectional	600	17.8	19.7	16	1	150	DO-214AA (SMB)
SMA6J16A	Unidirectional	600	17.8	19.7	16	1.0	175	DO-214AC (SMA)
SMA6J16AH ●	Unidirectional	600	17.8	19.7	16	1.0	175	DO-214AC (SMA)
SMBJ16	Unidirectional	600	17.8	21.8	16	1	150	DO-214AA (SMB)
SMBJ16H ●	Unidirectional	600	17.8	21.8	16	1	150	DO-214AA (SMB)
P6SMB20	Unidirectional	600	18	22	16.2	1	150	DO-214AA (SMB)
P6SMB20H ●	Unidirectional	600	18	22	16.2	1	150	DO-214AA (SMB)
P6KE20 ●	Unidirectional	600	18	22	16.2	1	175	DO-204AC (DO-15)
SMBJ17A	Unidirectional	600	18.9	20.9	17	1	150	DO-214AA (SMB)

Part Number	Configuration	P <sub>PK</sub> (W)	Breakdown Voltage		VWM(V)	I <sub>R</sub> (μA)	T <sub>j</sub> Max. (°C)	Package Description
			V <sub>BR</sub> Min.(V)	V <sub>BR</sub> Max.(V)				
SMBJ17AH ●	Unidirectional	600	18.9	20.9	17	1	150	DO-214AA (SMB)
SMA6J17A	Unidirectional	600	18.9	20.9	17	1.0	175	DO-214AC (SMA)
SMA6J17AH ●	Unidirectional	600	18.9	20.9	17	1.0	175	DO-214AC (SMA)
SMBJ17	Unidirectional	600	18.9	23.1	17	1	150	DO-214AA (SMB)
SMBJ17H ●	Unidirectional	600	18.9	23.1	17	1	150	DO-214AA (SMB)
P6SMB20A	Unidirectional	600	19	21	17.1	1	150	DO-214AA (SMB)
P6SMB20AH ●	Unidirectional	600	19	21	17.1	1	150	DO-214AA (SMB)
P6KE20A ●	Unidirectional	600	19	21	17.1	1	175	DO-204AC (DO-15)
P6SMB22	Unidirectional	600	19.8	24.2	17.8	1	150	DO-214AA (SMB)
P6SMB22H ●	Unidirectional	600	19.8	24.2	17.8	1	150	DO-214AA (SMB)
P6KE22 ●	Unidirectional	600	19.8	24.2	17.8	1	175	DO-204AC (DO-15)
SMBJ18A	Unidirectional	600	20	22.1	18	1	150	DO-214AA (SMB)
SMBJ18AH ●	Unidirectional	600	20	22.1	18	1	150	DO-214AA (SMB)
SMA6J18A	Unidirectional	600	20	22.1	18	1.0	175	DO-214AC (SMA)
SMA6J18AH ●	Unidirectional	600	20	22.1	18	1.0	175	DO-214AC (SMA)
SMBJ18	Unidirectional	600	20	24.4	18	1	150	DO-214AA (SMB)
SMBJ18H ●	Unidirectional	600	20	24.4	18	1	150	DO-214AA (SMB)
SMA6S18AH ●	Unidirectional	600	20.1	22.2	18	1	175	SOD-128
SMA6F18AH ●	Unidirectional	600	20.1	22.2	18	1	175	Thin SMA
P6SMB22A	Unidirectional	600	20.9	23.1	18.8	1	150	DO-214AA (SMB)
P6SMB22AH ●	Unidirectional	600	20.9	23.1	18.8	1	150	DO-214AA (SMB)
BZW06-19 ●	Unidirectional	600	20.9	23.1	18.8	1	175	DO-204AC (DO-15)
P6KE22A ●	Unidirectional	600	20.9	23.1	18.8	1	175	DO-204AC (DO-15)
P6SMB24	Unidirectional	600	21.6	26.4	19.4	1	150	DO-214AA (SMB)
P6SMB24H ●	Unidirectional	600	21.6	26.4	19.4	1	150	DO-214AA (SMB)
P6KE24 ●	Unidirectional	600	21.6	26.4	19.4	1	175	DO-204AC (DO-15)
SMBJ20A	Unidirectional	600	22.2	24.5	20	1	150	DO-214AA (SMB)



## TVS

(T<sub>A</sub>=25°C unless otherwise noted)

● =AEC-Q qualified

Part Number	Configuration	P <sub>PK</sub> (W)	Breakdown Voltage		VWM(V)	I <sub>R</sub> (μA)	T <sub>J</sub> Max. (°C)	Package Description
			V <sub>BR</sub> Min.(V)	V <sub>BR</sub> Max.(V)				
SMBJ20AH ●	Unidirectional	600	22.2	24.5	20	1	150	DO-214AA (SMB)
SMA6J20A	Unidirectional	600	22.2	24.5	20	1.0	175	DO-214AC (SMA)
SMA6J20AH ●	Unidirectional	600	22.2	24.5	20	1.0	175	DO-214AC (SMA)
SMBJ20	Unidirectional	600	22.2	27.1	20	1	150	DO-214AA (SMB)
SMBJ20H ●	Unidirectional	600	22.2	27.1	20	1	150	DO-214AA (SMB)
SMA6S20AH ●	Unidirectional	600	22.4	24.7	20	1	175	SOD-128
SMA6F20AH ●	Unidirectional	600	22.4	24.7	20	1	175	Thin SMA
P6SMB24A	Unidirectional	600	22.8	25.2	20.5	1	150	DO-214AA (SMB)
P6SMB24AH ●	Unidirectional	600	22.8	25.2	20.5	1	150	DO-214AA (SMB)
BZW06-20 ●	Unidirectional	600	22.8	25.2	20.5	1	175	DO-204AC (DO-15)
P6KE24A ●	Unidirectional	600	22.8	25.2	20.5	1	175	DO-204AC (DO-15)
SMA6S21AH ●	Unidirectional	600	23.5	25.9	21	1	175	SOD-128
SMA6F21AH ●	Unidirectional	600	23.5	25.9	21	1	175	Thin SMA
P6SMB27	Unidirectional	600	24.3	29.7	21.8	1	150	DO-214AA (SMB)
P6SMB27H ●	Unidirectional	600	24.3	29.7	21.8	1	150	DO-214AA (SMB)
P6KE27 ●	Unidirectional	600	24.3	29.7	21.8	1	175	DO-204AC (DO-15)
SMBJ22A	Unidirectional	600	24.4	26.9	22	1	150	DO-214AA (SMB)
SMBJ22AH ●	Unidirectional	600	24.4	26.9	22	1	150	DO-214AA (SMB)
SMA6J22A	Unidirectional	600	24.4	26.9	22	1.0	175	DO-214AC (SMA)
SMA6J22AH ●	Unidirectional	600	24.4	26.9	22	1.0	175	DO-214AC (SMA)
SMBJ22	Unidirectional	600	24.4	29.8	22	1	150	DO-214AA (SMB)
SMBJ22H ●	Unidirectional	600	24.4	29.8	22	1	150	DO-214AA (SMB)
SMA6S22AH ●	Unidirectional	600	24.6	27.2	22	1	175	SOD-128
SMA6F22AH ●	Unidirectional	600	24.6	27.2	22	1	175	Thin SMA
P6SMB27A	Unidirectional	600	25.7	28.4	23.1	1	150	DO-214AA (SMB)
P6SMB27AH ●	Unidirectional	600	25.7	28.4	23.1	1	150	DO-214AA (SMB)
BZW06-23 ●	Unidirectional	600	25.7	28.4	23.1	1	175	DO-204AC (DO-15)

Part Number	Configuration	P <sub>PK</sub> (W)	Breakdown Voltage		VWM(V)	I <sub>R</sub> (μA)	T <sub>J</sub> Max. (°C)	Package Description
			V <sub>BR</sub> Min.(V)	V <sub>BR</sub> Max.(V)				
P6KE27A ●	Unidirectional	600	25.7	28.4	23.1	1	175	DO-204AC (DO-15)
SMBJ24A	Unidirectional	600	26.7	29.5	24	1	150	DO-214AA (SMB)
SMBJ24AH ●	Unidirectional	600	26.7	29.5	24	1	150	DO-214AA (SMB)
SMA6J24A	Unidirectional	600	26.7	29.5	24	1.0	175	DO-214AC (SMA)
SMA6J24AH ●	Unidirectional	600	26.7	29.5	24	1.0	175	DO-214AC (SMA)
SMBJ24	Unidirectional	600	26.7	32.6	24	1	150	DO-214AA (SMB)
SMBJ24H ●	Unidirectional	600	26.7	32.6	24	1	150	DO-214AA (SMB)
SMA6S24AH ●	Unidirectional	600	26.8	29.6	24	1	175	SOD-128
SMA6F24AH ●	Unidirectional	600	26.8	29.6	24	1	175	Thin SMA
P6SMB30	Unidirectional	600	27	33	24.3	1	150	DO-214AA (SMB)
P6SMB30H ●	Unidirectional	600	27	33	24.3	1	150	DO-214AA (SMB)
P6KE30 ●	Unidirectional	600	27	33	24.3	1	175	DO-204AC (DO-15)
SMA6S25AH ●	Unidirectional	600	27.9	30.9	25	1	175	SOD-128
SMA6F25AH ●	Unidirectional	600	27.9	30.9	25	1	175	Thin SMA
P6SMB30A	Unidirectional	600	28.5	31.5	25.6	1	150	DO-214AA (SMB)
P6SMB30AH ●	Unidirectional	600	28.5	31.5	25.6	1	150	DO-214AA (SMB)
BZW06-26 ●	Unidirectional	600	28.5	31.5	25.6	1	175	DO-204AC (DO-15)
P6KE30A ●	Unidirectional	600	28.5	31.5	25.6	1	175	DO-204AC (DO-15)
SMBJ26A	Unidirectional	600	28.9	31.9	26	1	150	DO-214AA (SMB)
SMBJ26AH ●	Unidirectional	600	28.9	31.9	26	1	150	DO-214AA (SMB)
SMA6J26A	Unidirectional	600	28.9	31.9	26	1.0	175	DO-214AC (SMA)
SMA6J26AH ●	Unidirectional	600	28.9	31.9	26	1.0	175	DO-214AC (SMA)
SMBJ26	Unidirectional	600	28.9	35.3	26	1	150	DO-214AA (SMB)
SMBJ26H ●	Unidirectional	600	28.9	35.3	26	1	150	DO-214AA (SMB)
SMA6S26AH ●	Unidirectional	600	29.1	32.1	26	1	175	SOD-128
SMA6F26AH ●	Unidirectional	600	29.1	32.1	26	1	175	Thin SMA
P6SMB33	Unidirectional	600	29.7	36.3	26.8	1	150	DO-214AA (SMB)

## TVS

(T<sub>A</sub>=25°C unless otherwise noted)

● =AEC-Q qualified

Part Number	Configuration	P <sub>PK</sub> (W)	Breakdown Voltage		VWM(V)	I <sub>R</sub> (μA)	T <sub>j</sub> Max. (°C)	Package Description
			V <sub>BR</sub> Min.(V)	V <sub>BR</sub> Max.(V)				
P6SMB33H ●	Unidirectional	600	29.7	36.3	26.8	1	150	DO-214AA (SMB)
P6KE33 ●	Unidirectional	600	29.7	36.3	26.8	1	175	DO-204AC (DO-15)
SMBJ28A	Unidirectional	600	31.1	34.4	28	1	150	DO-214AA (SMB)
SMBJ28AH ●	Unidirectional	600	31.1	34.4	28	1	150	DO-214AA (SMB)
SMA6J28A	Unidirectional	600	31.1	34.4	28	1.0	175	DO-214AC (SMA)
SMA6J28AH ●	Unidirectional	600	31.1	34.4	28	1.0	175	DO-214AC (SMA)
SMBJ28	Unidirectional	600	31.1	38	28	1	150	DO-214AA (SMB)
SMBJ28H ●	Unidirectional	600	31.1	38	28	1	150	DO-214AA (SMB)
P6SMB33A	Unidirectional	600	31.4	34.7	28.2	1	150	DO-214AA (SMB)
P6SMB33AH ●	Unidirectional	600	31.4	34.7	28.2	1	150	DO-214AA (SMB)
BZW06-28 ●	Unidirectional	600	31.4	34.7	28.2	1	175	DO-204AC (DO-15)
P6KE33A ●	Unidirectional	600	31.4	34.7	28.2	1	175	DO-204AC (DO-15)
P6SMB36	Unidirectional	600	32.4	39.6	29.1	1	150	DO-214AA (SMB)
P6SMB36H ●	Unidirectional	600	32.4	39.6	29.1	1	150	DO-214AA (SMB)
P6KE36 ●	Unidirectional	600	32.4	39.6	29.1	1	175	DO-204AC (DO-15)
SMBJ30A	Unidirectional	600	33.3	36.8	30	1	150	DO-214AA (SMB)
SMBJ30AH ●	Unidirectional	600	33.3	36.8	30	1	150	DO-214AA (SMB)
SMA6J30A	Unidirectional	600	33.3	36.8	30	1.0	175	DO-214AC (SMA)
SMA6J30AH ●	Unidirectional	600	33.3	36.8	30	1.0	175	DO-214AC (SMA)
SMBJ30	Unidirectional	600	33.3	40.7	30	1	150	DO-214AA (SMB)
SMBJ30H ●	Unidirectional	600	33.3	40.7	30	1	150	DO-214AA (SMB)
SMA6S30AH ●	Unidirectional	600	33.5	37.1	30	1	175	SOD-128
SMA6F30AH ●	Unidirectional	600	33.5	37.1	30	1	175	Thin SMA
P6SMB36A	Unidirectional	600	34.2	37.8	30.8	1	150	DO-214AA (SMB)
P6SMB36AH ●	Unidirectional	600	34.2	37.8	30.8	1	150	DO-214AA (SMB)
BZW06-31 ●	Unidirectional	600	34.2	37.8	30.8	1	175	DO-204AC (DO-15)
P6KE36A ●	Unidirectional	600	34.2	37.8	30.8	1	175	DO-204AC (DO-15)

Part Number	Configuration	P <sub>PK</sub> (W)	Breakdown Voltage		VWM(V)	I <sub>R</sub> (μA)	T <sub>j</sub> Max. (°C)	Package Description
			V <sub>BR</sub> Min.(V)	V <sub>BR</sub> Max.(V)				
P6SMB39	Unidirectional	600	35.1	42.9	31.6	1	150	DO-214AA (SMB)
P6SMB39H ●	Unidirectional	600	35.1	42.9	31.6	1	150	DO-214AA (SMB)
P6KE39 ●	Unidirectional	600	35.1	42.9	31.6	1	175	DO-204AC (DO-15)
SMBJ33A	Unidirectional	600	36.7	40.6	33	1	150	DO-214AA (SMB)
SMBJ33AH ●	Unidirectional	600	36.7	40.6	33	1	150	DO-214AA (SMB)
SMBJ33	Unidirectional	600	36.7	44.9	33	1	150	DO-214AA (SMB)
SMBJ33H ●	Unidirectional	600	36.7	44.9	33	1	150	DO-214AA (SMB)
SMA6S33AH ●	Unidirectional	600	36.9	40.8	33	1	175	SOD-128
SMA6F33AH ●	Unidirectional	600	36.9	40.8	33	1	175	Thin SMA
P6SMB39A	Unidirectional	600	37.1	41.0	33.3	1	150	DO-214AA (SMB)
P6SMB39AH ●	Unidirectional	600	37.1	41.0	33.3	1	150	DO-214AA (SMB)
P6KE39A ●	Unidirectional	600	37.1	41	33.3	1	175	DO-204AC (DO-15)
BZW06-33 ●	Unidirectional	600	37.1	47	33.3	1	175	DO-204AC (DO-15)
P6SMB43	Unidirectional	600	38.7	47.3	34.8	1	150	DO-214AA (SMB)
P6SMB43H ●	Unidirectional	600	38.7	47.3	34.8	1	150	DO-214AA (SMB)
P6KE43 ●	Unidirectional	600	38.7	47.3	34.8	1	175	DO-204AC (DO-15)
SMBJ36A	Unidirectional	600	40	44.2	36	1	150	DO-214AA (SMB)
SMBJ36AH ●	Unidirectional	600	40	44.2	36	1	150	DO-214AA (SMB)
SMBJ36	Unidirectional	600	40	48.9	36	1	150	DO-214AA (SMB)
SMBJ36H ●	Unidirectional	600	40	48.9	36	1	150	DO-214AA (SMB)
SMA6S36AH ●	Unidirectional	600	40.2	44.5	36	1	175	SOD-128
SMA6F36AH ●	Unidirectional	600	40.2	44.5	36	1	175	Thin SMA
P6SMB43A	Unidirectional	600	40.9	45.2	36.8	1	150	DO-214AA (SMB)
P6SMB43AH ●	Unidirectional	600	40.9	45.2	36.8	1	150	DO-214AA (SMB)
BZW06-37 ●	Unidirectional	600	40.9	45.2	36.8	1	175	DO-204AC (DO-15)
P6KE43A ●	Unidirectional	600	40.9	45.2	36.8	1	175	DO-204AC (DO-15)
P6SMB47	Unidirectional	600	42.3	51.7	38.1	1	150	DO-214AA (SMB)

## TVS

(T<sub>A</sub>=25°C unless otherwise noted)

● =AEC-Q qualified

Part Number	Configuration	P <sub>PK</sub> (W)	Breakdown Voltage		VWM(V)	I <sub>R</sub> (μA)	T <sub>j</sub> Max. (°C)	Package Description
			V <sub>BR</sub> Min.(V)	V <sub>BR</sub> Max.(V)				
P6SMB47H ●	Unidirectional	600	42.3	51.7	38.1	1	150	DO-214AA (SMB)
P6KE47 ●	Unidirectional	600	42.3	51.7	38.1	1	175	DO-204AC (DO-15)
SMA6S39AH ●	Unidirectional	600	43.6	48.2	39	1	175	SOD-128
SMA6F39AH ●	Unidirectional	600	43.6	48.2	39	1	175	Thin SMA
SMBJ40A	Unidirectional	600	44.4	49.1	40	1	150	DO-214AA (SMB)
SMBJ40AH ●	Unidirectional	600	44.4	49.1	40	1	150	DO-214AA (SMB)
SMBJ40	Unidirectional	600	44.4	54.3	40	1	150	DO-214AA (SMB)
SMBJ40H ●	Unidirectional	600	44.4	54.3	40	1	150	DO-214AA (SMB)
SMA6S40AH ●	Unidirectional	600	44.7	49.4	40	1	175	SOD-128
SMA6F40AH ●	Unidirectional	600	44.7	49.4	40	1	175	Thin SMA
P6SMB47A	Unidirectional	600	44.7	49.4	40.2	1	150	DO-214AA (SMB)
P6SMB47AH ●	Unidirectional	600	44.7	49.4	40.2	1	150	DO-214AA (SMB)
BZW06-40 ●	Unidirectional	600	44.7	49.4	40.2	1	175	DO-204AC (DO-15)
P6KE47A ●	Unidirectional	600	44.7	49.4	40.2	1	175	DO-204AC (DO-15)
P6SMB51	Unidirectional	600	45.9	56.1	41.3	1	150	DO-214AA (SMB)
P6SMB51H ●	Unidirectional	600	45.9	56.1	41.3	1	150	DO-214AA (SMB)
P6KE51 ●	Unidirectional	600	45.9	56.1	41.3	1	175	DO-204AC (DO-15)
SMBJ43A	Unidirectional	600	47.8	52.8	43	1	150	DO-214AA (SMB)
SMBJ43AH ●	Unidirectional	600	47.8	52.8	43	1	150	DO-214AA (SMB)
SMBJ43	Unidirectional	600	47.8	58.4	43	1	150	DO-214AA (SMB)
SMBJ43H ●	Unidirectional	600	47.8	58.4	43	1	150	DO-214AA (SMB)
SMA6S43AH ●	Unidirectional	600	48.1	53.1	43	1	175	SOD-128
SMA6F43AH ●	Unidirectional	600	48.1	53.1	43	1	175	Thin SMA
P6SMB51A	Unidirectional	600	48.5	53.6	43.6	1	150	DO-214AA (SMB)
P6SMB51AH ●	Unidirectional	600	48.5	53.6	43.6	1	150	DO-214AA (SMB)
P6KE51A ●	Unidirectional	600	48.5	53.6	43.6	1	175	DO-204AC (DO-15)
SMBJ45A	Unidirectional	600	50	55.3	45	1	150	DO-214AA (SMB)

Part Number	Configuration	P <sub>PK</sub> (W)	Breakdown Voltage		VWM(V)	I <sub>R</sub> (μA)	T <sub>j</sub> Max. (°C)	Package Description
			V <sub>BR</sub> Min.(V)	V <sub>BR</sub> Max.(V)				
SMBJ45AH ●	Unidirectional	600	50	55.3	45	1	150	DO-214AA (SMB)
SMBJ45	Unidirectional	600	50	61.1	45	1	150	DO-214AA (SMB)
SMBJ45H ●	Unidirectional	600	50	61.1	45	1	150	DO-214AA (SMB)
P6SMB56	Unidirectional	600	50.4	61.6	45.4	1	150	DO-214AA (SMB)
P6SMB56H ●	Unidirectional	600	50.4	61.6	45.4	1	150	DO-214AA (SMB)
P6KE56 ●	Unidirectional	600	50.4	61.6	45.4	1	175	DO-204AC (DO-15)
SMA6S47AH ●	Unidirectional	600	52.5	58.1	47	1	175	SOD-128
SMA6F47AH ●	Unidirectional	600	52.5	58.1	47	1	175	Thin SMA
P6SMB56A	Unidirectional	600	53.2	58.8	47.8	1	150	DO-214AA (SMB)
P6SMB56AH ●	Unidirectional	600	53.2	58.8	47.8	1	150	DO-214AA (SMB)
BZW06-48 ●	Unidirectional	600	53.2	58.8	47.8	1	175	DO-204AC (DO-15)
P6KE56A ●	Unidirectional	600	53.2	58.8	47.8	1	175	DO-204AC (DO-15)
SMBJ48A	Unidirectional	600	53.3	58.9	48	1	150	DO-214AA (SMB)
SMBJ48AH ●	Unidirectional	600	53.3	58.9	48	1	150	DO-214AA (SMB)
SMBJ48	Unidirectional	600	53.3	65.1	48	1	150	DO-214AA (SMB)
SMBJ48H ●	Unidirectional	600	53.3	65.1	48	1	150	DO-214AA (SMB)
P6SMB62	Unidirectional	600	55.8	68.2	50.2	1	150	DO-214AA (SMB)
P6SMB62H ●	Unidirectional	600	55.8	68.2	50.2	1	150	DO-214AA (SMB)
P6KE62 ●	Unidirectional	600	55.8	68.2	50.2	1	175	DO-204AC (DO-15)
SMBJ51A	Unidirectional	600	56.7	62.7	51	1	150	DO-214AA (SMB)
SMBJ51AH ●	Unidirectional	600	56.7	62.7	51	1	150	DO-214AA (SMB)
SMBJ51	Unidirectional	600	56.7	69.3	51	1	150	DO-214AA (SMB)
SMBJ51H ●	Unidirectional	600	56.7	69.3	51	1	150	DO-214AA (SMB)
SMA6S51AH ●	Unidirectional	600	57	63	51	1	175	SOD-128
SMA6F51AH ●	Unidirectional	600	57	63	51	1	175	Thin SMA
P6SMB62A	Unidirectional	600	58.9	65.1	53	1	150	DO-214AA (SMB)
P6SMB62AH ●	Unidirectional	600	58.9	65.1	53	1	150	DO-214AA (SMB)

## TVS

(T<sub>A</sub>=25°C unless otherwise noted)

● =AEC-Q qualified

Part Number	Configuration	P <sub>PK</sub> (W)	Breakdown Voltage		VWM(V)	I <sub>R</sub> (μA)	T <sub>j</sub> Max. (°C)	Package Description
			V <sub>BR</sub> Min.(V)	V <sub>BR</sub> Max.(V)				
P6KE62A ●	Unidirectional	600	58.9	65.1	53	1	175	DO-204AC (DO-15)
SMBJ54A	Unidirectional	600	60	66.3	54	1	150	DO-214AA (SMB)
SMBJ54AH ●	Unidirectional	600	60	66.3	54	1	150	DO-214AA (SMB)
SMBJ54	Unidirectional	600	60	73.3	54	1	150	DO-214AA (SMB)
SMBJ54H ●	Unidirectional	600	60	73.3	54	1	150	DO-214AA (SMB)
P6SMB68	Unidirectional	600	61.2	74.8	55.1	1	150	DO-214AA (SMB)
P6SMB68H ●	Unidirectional	600	61.2	74.8	55.1	1	150	DO-214AA (SMB)
P6KE68 ●	Unidirectional	600	61.2	74.8	55.1	1	175	DO-204AC (DO-15)
SMA6S56AH ●	Unidirectional	600	62.6	69.2	56	1	175	SOD-128
SMA6F56AH ●	Unidirectional	600	62.6	69.2	56	1	175	Thin SMA
SMBJ58A	Unidirectional	600	64.4	71.2	58	1	150	DO-214AA (SMB)
SMBJ58AH ●	Unidirectional	600	64.4	71.2	58	1	150	DO-214AA (SMB)
SMBJ58	Unidirectional	600	64.4	78.7	58	1	150	DO-214AA (SMB)
SMBJ58H ●	Unidirectional	600	64.4	78.7	58	1	150	DO-214AA (SMB)
P6SMB68A	Unidirectional	600	64.6	71.4	58.1	1	150	DO-214AA (SMB)
P6SMB68AH ●	Unidirectional	600	64.6	71.4	58.1	1	150	DO-214AA (SMB)
BZW06-58 ●	Unidirectional	600	64.6	71.4	58.1	1	175	DO-204AC (DO-15)
P6KE68A ●	Unidirectional	600	64.6	71.4	58.1	1	175	DO-204AC (DO-15)
SMBJ60A	Unidirectional	600	66.7	73.7	60	1	150	DO-214AA (SMB)
SMBJ60AH ●	Unidirectional	600	66.7	73.7	60	1	150	DO-214AA (SMB)
SMBJ60	Unidirectional	600	66.7	81.5	60	1	150	DO-214AA (SMB)
SMBJ60H ●	Unidirectional	600	66.7	81.5	60	1	150	DO-214AA (SMB)
SMA6S60AH ●	Unidirectional	600	67.1	74.1	60	1	175	SOD-128
SMA6F60AH ●	Unidirectional	600	67.1	74.1	60	1	175	Thin SMA
P6SMB75	Unidirectional	600	67.5	82.5	60.7	1	150	DO-214AA (SMB)
P6SMB75H ●	Unidirectional	600	67.5	82.5	60.7	1	150	DO-214AA (SMB)
P6KE75 ●	Unidirectional	600	67.5	82.5	60.7	1	175	DO-204AC (DO-15)

Part Number	Configuration	P <sub>PK</sub> (W)	Breakdown Voltage		VWM(V)	I <sub>R</sub> (μA)	T <sub>j</sub> Max. (°C)	Package Description
			V <sub>BR</sub> Min.(V)	V <sub>BR</sub> Max.(V)				
SMBJ64A	Unidirectional	600	71.1	78.6	64	1	150	DO-214AA (SMB)
SMBJ64AH ●	Unidirectional	600	71.1	78.6	64	1	150	DO-214AA (SMB)
SMBJ64	Unidirectional	600	71.1	86.9	64	1	150	DO-214AA (SMB)
SMBJ64H ●	Unidirectional	600	71.1	86.9	64	1	150	DO-214AA (SMB)
P6SMB75A	Unidirectional	600	71.3	78.8	64.1	1	150	DO-214AA (SMB)
P6SMB75AH ●	Unidirectional	600	71.3	78.8	64.1	1	150	DO-214AA (SMB)
P6KE75A ●	Unidirectional	600	71.3	78.8	64.1	1	175	DO-204AC (DO-15)
P6SMB82	Unidirectional	600	73.8	90.2	66.4	1	150	DO-214AA (SMB)
P6SMB82H ●	Unidirectional	600	73.8	90.2	66.4	1	150	DO-214AA (SMB)
P6KE82 ●	Unidirectional	600	73.8	90.2	66.4	1	175	DO-204AC (DO-15)
SMBJ70A	Unidirectional	600	77.8	86	70	1	150	DO-214AA (SMB)
SMBJ70AH ●	Unidirectional	600	77.8	86	70	1	150	DO-214AA (SMB)
SMBJ70	Unidirectional	600	77.8	95.1	70	1	150	DO-214AA (SMB)
SMBJ70H ●	Unidirectional	600	77.8	95.1	70	1	150	DO-214AA (SMB)
P6SMB82A	Unidirectional	600	77.9	86.1	70.1	1	150	DO-214AA (SMB)
P6SMB82AH ●	Unidirectional	600	77.9	86.1	70.1	1	150	DO-214AA (SMB)
BZW06-70 ●	Unidirectional	600	77.9	86.1	70.1	1	175	DO-204AC (DO-15)
P6KE82A ●	Unidirectional	600	77.9	86.1	70.1	1	175	DO-204AC (DO-15)
P6SMB91	Unidirectional	600	81.9	100	73.7	1	150	DO-214AA (SMB)
P6SMB91H ●	Unidirectional	600	81.9	100	73.7	1	150	DO-214AA (SMB)
P6KE91 ●	Unidirectional	600	81.9	100	73.7	1	175	DO-204AC (DO-15)
SMBJ75A	Unidirectional	600	83.3	92.1	75	1	150	DO-214AA (SMB)
SMBJ75AH ●	Unidirectional	600	83.3	92.1	75	1	150	DO-214AA (SMB)
SMBJ75	Unidirectional	600	83.3	102	75	1	150	DO-214AA (SMB)
SMBJ75H ●	Unidirectional	600	83.3	102	75	1	150	DO-214AA (SMB)
P6SMB91A	Unidirectional	600	86.5	95.5	77.8	1	150	DO-214AA (SMB)
P6SMB91AH ●	Unidirectional	600	86.5	95.5	77.8	1	150	DO-214AA (SMB)

## TVS

(T<sub>A</sub>=25°C unless otherwise noted)

● =AEC-Q qualified

Part Number	Configuration	P <sub>PK</sub> (W)	Breakdown Voltage		VWM(V)	I <sub>R</sub> (μA)	T <sub>J</sub> Max. (°C)	Package Description
			V <sub>BR</sub> Min.(V)	V <sub>BR</sub> Max.(V)				
P6KE91A ●	Unidirectional	600	86.5	95.5	77.8	1	175	DO-204AC (DO-15)
SMBJ78A	Unidirectional	600	86.7	95.8	78	1	150	DO-214AA (SMB)
SMBJ78AH ●	Unidirectional	600	86.7	95.8	78	1	150	DO-214AA (SMB)
SMBJ78	Unidirectional	600	86.7	106	78	1	150	DO-214AA (SMB)
SMBJ78H ●	Unidirectional	600	86.7	106	78	1	150	DO-214AA (SMB)
P6SMB100	Unidirectional	600	90	110	81	1	150	DO-214AA (SMB)
P6SMB100H ●	Unidirectional	600	90	110	81	1	150	DO-214AA (SMB)
P6KE100 ●	Unidirectional	600	90	110	81	1	175	DO-204AC (DO-15)
SMBJ85A	Unidirectional	600	94.4	104	85	1	150	DO-214AA (SMB)
SMBJ85AH ●	Unidirectional	600	94.4	104	85	1	150	DO-214AA (SMB)
SMBJ85	Unidirectional	600	94.4	115	85	1	150	DO-214AA (SMB)
SMBJ85H ●	Unidirectional	600	94.4	115	85	1	150	DO-214AA (SMB)
P6SMB100A	Unidirectional	600	95	105	85.5	1	150	DO-214AA (SMB)
P6SMB100AH ●	Unidirectional	600	95	105	85.5	1	150	DO-214AA (SMB)
BZW06-85 ●	Unidirectional	600	95	105	85.5	1	175	DO-204AC (DO-15)
P6KE100A ●	Unidirectional	600	95	105	85.5	1	175	DO-204AC (DO-15)
P6SMB110	Unidirectional	600	99	121	89.2	1	150	DO-214AA (SMB)
P6SMB110H ●	Unidirectional	600	99	121	89.2	1	150	DO-214AA (SMB)
P6KE110 ●	Unidirectional	600	99	121	89.2	1	175	DO-204AC (DO-15)
SMBJ90A	Unidirectional	600	100	111	90	1	150	DO-214AA (SMB)
SMBJ90AH ●	Unidirectional	600	100	111	90	1	150	DO-214AA (SMB)
SMBJ90	Unidirectional	600	100	122	90	1	150	DO-214AA (SMB)
SMBJ90H ●	Unidirectional	600	100	122	90	1	150	DO-214AA (SMB)
P6SMB110A	Unidirectional	600	105	116	94	1	150	DO-214AA (SMB)
P6SMB110AH ●	Unidirectional	600	105	116	94	1	150	DO-214AA (SMB)
P6KE110A ●	Unidirectional	600	105	116	94	1	175	DO-204AC (DO-15)
P6SMB120	Unidirectional	600	108	132	97.2	1	150	DO-214AA (SMB)

Part Number	Configuration	P <sub>PK</sub> (W)	Breakdown Voltage		VWM(V)	I <sub>R</sub> (μA)	T <sub>J</sub> Max. (°C)	Package Description
			V <sub>BR</sub> Min.(V)	V <sub>BR</sub> Max.(V)				
P6SMB120H ●	Unidirectional	600	108	132	97.2	1	150	DO-214AA (SMB)
P6KE120 ●	Unidirectional	600	108	132	97.2	1	175	DO-204AC (DO-15)
SMBJ100A	Unidirectional	600	111	123	100	1	150	DO-214AA (SMB)
SMBJ100AH ●	Unidirectional	600	111	123	100	1	150	DO-214AA (SMB)
SMBJ100	Unidirectional	600	111	136	100	1	150	DO-214AA (SMB)
SMBJ100H ●	Unidirectional	600	111	136	100	1	150	DO-214AA (SMB)
P6SMB120A	Unidirectional	600	114	126	102	1	150	DO-214AA (SMB)
P6SMB120AH ●	Unidirectional	600	114	126	102	1	150	DO-214AA (SMB)
P6KE120A ●	Unidirectional	600	114	126	102	1	175	DO-204AC (DO-15)
P6SMB130	Unidirectional	600	117	143	105	1	150	DO-214AA (SMB)
P6SMB130H ●	Unidirectional	600	117	143	105	1	150	DO-214AA (SMB)
P6KE130 ●	Unidirectional	600	117	143	105	1	175	DO-204AC (DO-15)
SMBJ110A	Unidirectional	600	122	135	110	1	150	DO-214AA (SMB)
SMBJ110AH ●	Unidirectional	600	122	135	110	1	150	DO-214AA (SMB)
SMBJ110	Unidirectional	600	122	149	110	1	150	DO-214AA (SMB)
SMBJ110H ●	Unidirectional	600	122	149	110	1	150	DO-214AA (SMB)
P6SMB130A	Unidirectional	600	124	137	111	1	150	DO-214AA (SMB)
P6SMB130AH ●	Unidirectional	600	124	137	111	1	150	DO-214AA (SMB)
P6KE130A ●	Unidirectional	600	124	137	111	1	175	DO-204AC (DO-15)
SMBJ120A	Unidirectional	600	133	147	120	1	150	DO-214AA (SMB)
SMBJ120AH ●	Unidirectional	600	133	147	120	1	150	DO-214AA (SMB)
SMBJ120	Unidirectional	600	133	163	120	1	150	DO-214AA (SMB)
SMBJ120H ●	Unidirectional	600	133	163	120	1	150	DO-214AA (SMB)
P6SMB150	Unidirectional	600	135	165	121	1	150	DO-214AA (SMB)
P6SMB150H ●	Unidirectional	600	135	165	121	1	150	DO-214AA (SMB)
P6KE150 ●	Unidirectional	600	135	165	121	1	175	DO-204AC (DO-15)
P6SMB150A	Unidirectional	600	143	158	128	1	150	DO-214AA (SMB)

## TVS

(T<sub>A</sub>=25°C unless otherwise noted)

● =AEC-Q qualified

Part Number	Configuration	P <sub>PK</sub> (W)	Breakdown Voltage		VWM(V)	I <sub>R</sub> (μA)	T <sub>J</sub> Max. (°C)	Package Description
			V <sub>BR</sub> Min.(V)	V <sub>BR</sub> Max.(V)				
P6SMB150AH ●	Unidirectional	600	143	158	128	1	150	DO-214AA (SMB)
BZW06-128 ●	Unidirectional	600	143	158	128	1	175	DO-204AC (DO-15)
P6KE150A ●	Unidirectional	600	143	158	128	1	175	DO-204AC (DO-15)
SMBJ130A	Unidirectional	600	144	159	130	1	150	DO-214AA (SMB)
SMBJ130AH ●	Unidirectional	600	144	159	130	1	150	DO-214AA (SMB)
P6SMB160	Unidirectional	600	144	176	130	1	150	DO-214AA (SMB)
P6SMB160H ●	Unidirectional	600	144	176	130	1	150	DO-214AA (SMB)
SMBJ130	Unidirectional	600	144	176	130	1	150	DO-214AA (SMB)
SMBJ130H ●	Unidirectional	600	144	176	130	1	150	DO-214AA (SMB)
P6KE160 ●	Unidirectional	600	144	176	130	1	175	DO-204AC (DO-15)
P6SMB160A	Unidirectional	600	152	168	136	1	150	DO-214AA (SMB)
P6SMB160AH ●	Unidirectional	600	152	168	136	1	150	DO-214AA (SMB)
P6KE160A ●	Unidirectional	600	152	168	136	1	175	DO-204AC (DO-15)
P6SMB170	Unidirectional	600	153	187	138	1	150	DO-214AA (SMB)
P6SMB170H ●	Unidirectional	600	153	187	138	1	150	DO-214AA (SMB)
P6KE170 ●	Unidirectional	600	153	187	138	1	175	DO-204AC (DO-15)
P6SMB170A	Unidirectional	600	162	179	145	1	150	DO-214AA (SMB)
P6SMB170AH ●	Unidirectional	600	162	179	145	1	150	DO-214AA (SMB)
P6KE170A ●	Unidirectional	600	162	179	145	1	175	DO-204AC (DO-15)
P6SMB180	Unidirectional	600	162	198	146	1	150	DO-214AA (SMB)
P6SMB180H ●	Unidirectional	600	162	198	146	1	150	DO-214AA (SMB)
P6KE180 ●	Unidirectional	600	162	198	146	1	175	DO-204AC (DO-15)
SMBJ150A	Unidirectional	600	167	185	150	1	150	DO-214AA (SMB)
SMBJ150AH ●	Unidirectional	600	167	185	150	1	150	DO-214AA (SMB)
SMBJ150	Unidirectional	600	167	204	150	1	150	DO-214AA (SMB)
SMBJ150H ●	Unidirectional	600	167	204	150	1	150	DO-214AA (SMB)
P6SMB180A	Unidirectional	600	171	189	154	1	150	DO-214AA (SMB)

Part Number	Configuration	P <sub>PK</sub> (W)	Breakdown Voltage		VWM(V)	I <sub>R</sub> (μA)	T <sub>J</sub> Max. (°C)	Package Description
			V <sub>BR</sub> Min.(V)	V <sub>BR</sub> Max.(V)				
P6SMB180AH ●	Unidirectional	600	171	189	154	1	150	DO-214AA (SMB)
BZW06-154 ●	Unidirectional	600	171	189	154	1	175	DO-204AC (DO-15)
P6KE180A ●	Unidirectional	600	171	189	154	1	175	DO-204AC (DO-15)
SMBJ160A	Unidirectional	600	178	197	160	1	150	DO-214AA (SMB)
SMBJ160AH ●	Unidirectional	600	178	197	160	1	150	DO-214AA (SMB)
SMBJ160	Unidirectional	600	178	218	160	1	150	DO-214AA (SMB)
SMBJ160H ●	Unidirectional	600	178	218	160	1	150	DO-214AA (SMB)
P6SMB200	Unidirectional	600	180	220	162	1	150	DO-214AA (SMB)
P6SMB200H ●	Unidirectional	600	180	220	162	1	150	DO-214AA (SMB)
P6KE200 ●	Unidirectional	600	180	220	162	1	175	DO-204AC (DO-15)
SMBJ170A	Unidirectional	600	189	209	170	1	150	DO-214AA (SMB)
SMBJ170AH ●	Unidirectional	600	189	209	170	1	150	DO-214AA (SMB)
SMBJ170	Unidirectional	600	189	231	170	1	150	DO-214AA (SMB)
SMBJ170H ●	Unidirectional	600	189	231	170	1	150	DO-214AA (SMB)
P6SMB200A	Unidirectional	600	190	210	171	1	150	DO-214AA (SMB)
P6SMB200AH ●	Unidirectional	600	190	210	171	1	150	DO-214AA (SMB)
BZW06-171 ●	Unidirectional	600	190	210	171	1	175	DO-204AC (DO-15)
P6KE200A ●	Unidirectional	600	190	210	171	1	175	DO-204AC (DO-15)
P6SMB220	Unidirectional	600	198	242	175	1	150	DO-214AA (SMB)
P6SMB220H ●	Unidirectional	600	198	242	175	1	150	DO-214AA (SMB)
P6KE220 ●	Unidirectional	600	198	242	175	1	175	DO-204AC (DO-15)
P6SMB220A	Unidirectional	600	209	231	185	1	150	DO-214AA (SMB)
P6SMB220AH ●	Unidirectional	600	209	231	185	1	150	DO-214AA (SMB)
P6KE220A ●	Unidirectional	600	209	231	185	1	175	DO-204AC (DO-15)
BZW06-188 ●	Unidirectional	600	209	231	188	1	175	DO-204AC (DO-15)
P6KE250 ●	Unidirectional	600	225	275	202	1	175	DO-204AC (DO-15)
BZW06-213 ●	Unidirectional	600	237	263	213	1	175	DO-204AC (DO-15)

## TVS

(T<sub>A</sub>=25°C unless otherwise noted)

● =AEC-Q qualified

Part Number	Configuration	P <sub>PK</sub> (W)	Breakdown Voltage		VWM(V)	I <sub>R</sub> (μA)	T <sub>J</sub> Max. (°C)	Package Description
			V <sub>BR</sub> Min.(V)	V <sub>BR</sub> Max.(V)				
P6KE250A ●	Unidirectional	600	237	263	214	1	175	DO-204AC (DO-15)
P6KE300 ●	Unidirectional	600	270	330	243	1	175	DO-204AC (DO-15)
BZW06-256 ●	Unidirectional	600	285	315	256	1	175	DO-204AC (DO-15)
P6KE300A ●	Unidirectional	600	285	315	256	1	175	DO-204AC (DO-15)
BZW06-273 ●	Unidirectional	600	304	336	273	1	175	DO-204AC (DO-15)
P6KE350 ●	Unidirectional	600	315	385	284	1	175	DO-204AC (DO-15)
BZW06-299 ●	Unidirectional	600	332	368	299	1	175	DO-204AC (DO-15)
P6KE350A ●	Unidirectional	600	332	368	300	1	175	DO-204AC (DO-15)
P6KE400 ●	Unidirectional	600	360	440	324	1	175	DO-204AC (DO-15)
BZW06-342 ●	Unidirectional	600	380	420	342	1	175	DO-204AC (DO-15)
P6KE400A ●	Unidirectional	600	380	420	342	1	175	DO-204AC (DO-15)
P6KE440 ●	Unidirectional	600	396	484	356	1	175	DO-204AC (DO-15)
BZW06-376 ●	Unidirectional	600	418	462	376	1	175	DO-204AC (DO-15)
P6KE440A ●	Unidirectional	600	418	462	376	1	175	DO-204AC (DO-15)
1KSMB10A	Unidirectional	1000	9.5	10.5	8.6	10	175	DO-214AA (SMB)
1KSMB10AH ●	Unidirectional	1000	9.5	10.5	8.6	10	175	DO-214AA (SMB)
SMB10J9.0A	Unidirectional	1000	10	11.1	9	10	175	DO-214AA (SMB)
SMB10J9.0AH ●	Unidirectional	1000	10	11.1	9	10	175	DO-214AA (SMB)
1KSMB11A	Unidirectional	1000	10.5	11.6	9.4	5	175	DO-214AA (SMB)
1KSMB11AH ●	Unidirectional	1000	10.5	11.6	9.4	5	175	DO-214AA (SMB)
SMB10J10A	Unidirectional	1000	11.1	12.3	10	8	175	DO-214AA (SMB)
SMB10J10AH ●	Unidirectional	1000	11.1	12.3	10	8	175	DO-214AA (SMB)
1KSMB12A	Unidirectional	1000	11.4	12.6	10.2	5	175	DO-214AA (SMB)
1KSMB12AH ●	Unidirectional	1000	11.4	12.6	10.2	5	175	DO-214AA (SMB)
SMB10J11A	Unidirectional	1000	12.2	13.5	11	5	175	DO-214AA (SMB)
SMB10J11AH ●	Unidirectional	1000	12.2	13.5	11	5	175	DO-214AA (SMB)
1KSMB13A	Unidirectional	1000	12.4	13.7	11.1	5	175	DO-214AA (SMB)

Part Number	Configuration	P <sub>PK</sub> (W)	Breakdown Voltage		VWM(V)	I <sub>R</sub> (μA)	T <sub>J</sub> Max. (°C)	Package Description
			V <sub>BR</sub> Min.(V)	V <sub>BR</sub> Max.(V)				
1KSMB13AH ●	Unidirectional	1000	12.4	13.7	11.1	5	175	DO-214AA (SMB)
SMB10J12A	Unidirectional	1000	13.3	14.7	12	5	175	DO-214AA (SMB)
SMB10J12AH ●	Unidirectional	1000	13.3	14.7	12	5	175	DO-214AA (SMB)
1KSMB15A	Unidirectional	1000	14.3	15.8	12.8	5	175	DO-214AA (SMB)
1KSMB15AH ●	Unidirectional	1000	14.3	15.8	12.8	5	175	DO-214AA (SMB)
SMB10J13A	Unidirectional	1000	14.4	15.9	13	5	175	DO-214AA (SMB)
SMB10J13AH ●	Unidirectional	1000	14.4	15.9	13	5	175	DO-214AA (SMB)
1KSMB16A	Unidirectional	1000	15.2	16.8	13.6	1	175	DO-214AA (SMB)
1KSMB16AH ●	Unidirectional	1000	15.2	16.8	13.6	1	175	DO-214AA (SMB)
SMB10J14A	Unidirectional	1000	15.6	17.2	14	5	175	DO-214AA (SMB)
SMB10J14AH ●	Unidirectional	1000	15.6	17.2	14	5	175	DO-214AA (SMB)
SMB10J15A	Unidirectional	1000	16.7	18.5	15	1	175	DO-214AA (SMB)
SMB10J15AH ●	Unidirectional	1000	16.7	18.5	15	1	175	DO-214AA (SMB)
1KSMB18A	Unidirectional	1000	17.1	18.9	15.3	1	175	DO-214AA (SMB)
1KSMB18AH ●	Unidirectional	1000	17.1	18.9	15.3	1	175	DO-214AA (SMB)
SMB10J16A	Unidirectional	1000	17.8	19.7	16	1	175	DO-214AA (SMB)
SMB10J16AH ●	Unidirectional	1000	17.8	19.7	16	1	175	DO-214AA (SMB)
SMB10J17A	Unidirectional	1000	18.9	20.9	17	1	175	DO-214AA (SMB)
SMB10J17AH ●	Unidirectional	1000	18.9	20.9	17	1	175	DO-214AA (SMB)
1KSMB20A	Unidirectional	1000	19	21	17.1	1	175	DO-214AA (SMB)
1KSMB20AH ●	Unidirectional	1000	19	21	17.1	1	175	DO-214AA (SMB)
SMB10J18A	Unidirectional	1000	20	22.1	18	1	175	DO-214AA (SMB)
SMB10J18AH ●	Unidirectional	1000	20	22.1	18	1	175	DO-214AA (SMB)
1KSMB22A	Unidirectional	1000	20.9	23.1	18.8	1	175	DO-214AA (SMB)
1KSMB22AH ●	Unidirectional	1000	20.9	23.1	18.8	1	175	DO-214AA (SMB)
SMB10J20A	Unidirectional	1000	22.2	24.5	20	1	175	DO-214AA (SMB)
SMB10J20AH ●	Unidirectional	1000	22.2	24.5	20	1	175	DO-214AA (SMB)

## TVS

(T<sub>A</sub>=25°C unless otherwise noted)

● =AEC-Q qualified

Part Number	Configuration	P <sub>PK</sub> (W)	Breakdown Voltage		VWM(V)	I <sub>R</sub> (μA)	T <sub>J</sub> Max. (°C)	Package Description
			V <sub>BR</sub> Min.(V)	V <sub>BR</sub> Max.(V)				
1KSMB24A	Unidirectional	1000	22.8	25.2	20.5	1	175	DO-214AA (SMB)
1KSMB24AH ●	Unidirectional	1000	22.8	25.2	20.5	1	175	DO-214AA (SMB)
SMB10J22A	Unidirectional	1000	24.4	26.9	22	1	175	DO-214AA (SMB)
SMB10J22AH ●	Unidirectional	1000	24.4	26.9	22	1	175	DO-214AA (SMB)
1KSMB27A	Unidirectional	1000	25.7	28.4	23.1	1	175	DO-214AA (SMB)
1KSMB27AH ●	Unidirectional	1000	25.7	28.4	23.1	1	175	DO-214AA (SMB)
SMB10J24A	Unidirectional	1000	26.7	29.5	24	1	175	DO-214AA (SMB)
SMB10J24AH ●	Unidirectional	1000	26.7	29.5	24	1	175	DO-214AA (SMB)
1KSMB30A	Unidirectional	1000	28.5	31.5	25.6	1	175	DO-214AA (SMB)
1KSMB30AH ●	Unidirectional	1000	28.5	31.5	25.6	1	175	DO-214AA (SMB)
SMB10J26A	Unidirectional	1000	28.9	31.9	26	1	175	DO-214AA (SMB)
SMB10J26AH ●	Unidirectional	1000	28.9	31.9	26	1	175	DO-214AA (SMB)
SMB10J28A	Unidirectional	1000	31.1	34.4	28	1	175	DO-214AA (SMB)
SMB10J28AH ●	Unidirectional	1000	31.1	34.4	28	1	175	DO-214AA (SMB)
1KSMB33A	Unidirectional	1000	31.4	34.7	28.2	1	175	DO-214AA (SMB)
1KSMB33AH ●	Unidirectional	1000	31.4	34.7	28.2	1	175	DO-214AA (SMB)
SMB10J30A	Unidirectional	1000	33.3	36.8	30	1	175	DO-214AA (SMB)
SMB10J30AH ●	Unidirectional	1000	33.3	36.8	30	1	175	DO-214AA (SMB)
1KSMB36A	Unidirectional	1000	34.2	37.8	30.8	1	175	DO-214AA (SMB)
1KSMB36AH ●	Unidirectional	1000	34.2	37.8	30.8	1	175	DO-214AA (SMB)
SMB10J33A	Unidirectional	1000	36.7	40.6	33	1	175	DO-214AA (SMB)
SMB10J33AH ●	Unidirectional	1000	36.7	40.6	33	1	175	DO-214AA (SMB)
1KSMB39A	Unidirectional	1000	37.1	41	33.3	1	175	DO-214AA (SMB)
1KSMB39AH ●	Unidirectional	1000	37.1	41	33.3	1	175	DO-214AA (SMB)
SMB10J36A	Unidirectional	1000	40	44.2	36	1	175	DO-214AA (SMB)
SMB10J36AH ●	Unidirectional	1000	40	44.2	36	1	175	DO-214AA (SMB)
1KSMB43A	Unidirectional	1000	40.9	45.2	36.8	1	175	DO-214AA (SMB)

Part Number	Configuration	P <sub>PK</sub> (W)	Breakdown Voltage		VWM(V)	I <sub>R</sub> (μA)	T <sub>J</sub> Max. (°C)	Package Description
			V <sub>BR</sub> Min.(V)	V <sub>BR</sub> Max.(V)				
1KSMB43AH ●	Unidirectional	1000	40.9	45.2	36.8	1	175	DO-214AA (SMB)
SMB10J40A	Unidirectional	1000	44.4	49.1	40	1	175	DO-214AA (SMB)
SMB10J40AH ●	Unidirectional	1000	44.4	49.1	40	1	175	DO-214AA (SMB)
1KSMB47A	Unidirectional	1000	44.7	49.4	40.2	1	175	DO-214AA (SMB)
1KSMB47AH ●	Unidirectional	1000	44.7	49.4	40.2	1	175	DO-214AA (SMB)
1KSMB51A	Unidirectional	1000	48.5	53.6	43.6	1	175	DO-214AA (SMB)
1KSMB51AH ●	Unidirectional	1000	48.5	53.6	43.6	1	175	DO-214AA (SMB)
1KSMB56A	Unidirectional	1000	53.2	58.8	47.8	1	175	DO-214AA (SMB)
1KSMB56AH ●	Unidirectional	1000	53.2	58.8	47.8	1	175	DO-214AA (SMB)
1KSMB62A	Unidirectional	1000	58.9	65.1	53.0	1	175	DO-214AA (SMB)
1KSMB62AH ●	Unidirectional	1000	58.9	65.1	53.0	1	175	DO-214AA (SMB)
1KSMB68A	Unidirectional	1000	64.6	71.4	58.1	1	175	DO-214AA (SMB)
1KSMB68AH ●	Unidirectional	1000	64.6	71.4	58.1	1	175	DO-214AA (SMB)
1KSMB75A	Unidirectional	1000	71.3	78.8	64.1	1	175	DO-214AA (SMB)
1KSMB75AH ●	Unidirectional	1000	71.3	78.8	64.1	1	175	DO-214AA (SMB)
1KSMB82A	Unidirectional	1000	77.9	86.1	70.1	1	175	DO-214AA (SMB)
1KSMB82AH ●	Unidirectional	1000	77.9	86.1	70.1	1	175	DO-214AA (SMB)
1KSMB91A	Unidirectional	1000	86.5	95.5	77.8	1	175	DO-214AA (SMB)
1KSMB91AH ●	Unidirectional	1000	86.5	95.5	77.8	1	175	DO-214AA (SMB)
1KSMB100A	Unidirectional	1000	95	105	85.5	1	175	DO-214AA (SMB)
1KSMB100AH ●	Unidirectional	1000	95	105	85.5	1	175	DO-214AA (SMB)
1.5SMC6.8	Unidirectional	1500	6.12	7.48	5.5	1,000	150	DO-214AB (SMC)
1.5SMC6.8H ●	Unidirectional	1500	6.12	7.48	5.5	1,000	150	DO-214AB (SMC)
1.5KE6.8 ●	Unidirectional	1500	6.12	7.48	5.5	1,000	175	DO-201
SMCJ5.0A	Unidirectional	1500	6.4	7	5	1,000	150	DO-214AB (SMC)
SMCJ5.0AH ●	Unidirectional	1500	6.4	7	5	1,000	150	DO-214AB (SMC)
SMCJ5V0A	Unidirectional	1500	6.4	7	5	1,000	150	DO-214AB (SMC)



## TVS

(T<sub>A</sub>=25°C unless otherwise noted)

● =AEC-Q qualified

Part Number	Configuration	P <sub>PK</sub> (W)	Breakdown Voltage		VWM(V)	I <sub>R</sub> (μA)	T <sub>J</sub> Max. (°C)	Package Description
			V <sub>BR</sub> Min.(V)	V <sub>BR</sub> Max.(V)				
SMCJ5.0	Unidirectional	1500	6.4	7.3	5	1,000	150	DO-214AB (SMC)
SMCJ5.0H ●	Unidirectional	1500	6.4	7.3	5	1,000	150	DO-214AB (SMC)
1.5KE6.8A ●	Unidirectional	1500	6.45	7.14	5.8	1,000	175	DO-201
1V5KE6V8A	Unidirectional	1500	6.45	7.14	5.8	1,000	175	DO-201
1.5SMC6.8A	Unidirectional	1500	6.46	7.14	5.8	1,000	150	DO-214AB (SMC)
1.5SMC6.8AH ●	Unidirectional	1500	6.46	7.14	5.8	1,000	150	DO-214AB (SMC)
SMCJ6.0A	Unidirectional	1500	6.67	7.37	6	1,000	150	DO-214AB (SMC)
SMCJ6.0AH ●	Unidirectional	1500	6.67	7.37	6	1,000	150	DO-214AB (SMC)
SMCJ6V0A	Unidirectional	1500	6.67	7.37	6	1,000	150	DO-214AB (SMC)
SMCJ6.0	Unidirectional	1500	6.67	8.15	6	1,000	150	DO-214AB (SMC)
SMCJ6.0H ●	Unidirectional	1500	6.67	8.15	6	1,000	150	DO-214AB (SMC)
1.5SMC7.5	Unidirectional	1500	6.75	8.25	6.05	500	150	DO-214AB (SMC)
1.5SMC7.5H ●	Unidirectional	1500	6.75	8.25	6.05	500	150	DO-214AB (SMC)
1.5KE7.5 ●	Unidirectional	1500	6.75	8.25	6.05	500	175	DO-201
1.5SMC7.5A	Unidirectional	1500	7.125	7.88	6.4	500	150	DO-214AB (SMC)
1.5SMC7.5AH ●	Unidirectional	1500	7.125	7.88	6.4	500	150	DO-214AB (SMC)
1.5KE7.5A ●	Unidirectional	1500	7.13	7.88	6.4	500	175	DO-201
1V5KE7V5A	Unidirectional	1500	7.13	7.88	6.4	500	175	DO-201
SMCJ6.5A	Unidirectional	1500	7.22	7.98	6.5	500	150	DO-214AB (SMC)
SMCJ6.5AH ●	Unidirectional	1500	7.22	7.98	6.5	500	150	DO-214AB (SMC)
SMCJ6V5A	Unidirectional	1500	7.22	7.98	6.5	500	150	DO-214AB (SMC)
SMCJ6.5	Unidirectional	1500	7.22	8.82	6.5	500	150	DO-214AB (SMC)
SMCJ6.5H ●	Unidirectional	1500	7.22	8.82	6.5	500	150	DO-214AB (SMC)
1.5SMC8.2	Unidirectional	1500	7.38	9.02	6.63	200	150	DO-214AB (SMC)
1.5SMC8.2H ●	Unidirectional	1500	7.38	9.02	6.63	200	150	DO-214AB (SMC)
1.5KE8.2 ●	Unidirectional	1500	7.38	9.02	6.63	200	175	DO-201
SMCJ7.0A	Unidirectional	1500	7.78	8.6	7	200	150	DO-214AB (SMC)

Part Number	Configuration	P <sub>PK</sub> (W)	Breakdown Voltage		VWM(V)	I <sub>R</sub> (μA)	T <sub>J</sub> Max. (°C)	Package Description
			V <sub>BR</sub> Min.(V)	V <sub>BR</sub> Max.(V)				
SMCJ7.0AH ●	Unidirectional	1500	7.78	8.6	7	200	150	DO-214AB (SMC)
SMCJ7V0A	Unidirectional	1500	7.78	8.6	7	200	150	DO-214AB (SMC)
SMCJ7.0	Unidirectional	1500	7.78	9.51	7	200	150	DO-214AB (SMC)
SMCJ7.0H ●	Unidirectional	1500	7.78	9.51	7	200	150	DO-214AB (SMC)
1.5SMC8.2A	Unidirectional	1500	7.79	8.61	7.02	200	150	DO-214AB (SMC)
1.5SMC8.2AH ●	Unidirectional	1500	7.79	8.61	7.02	200	150	DO-214AB (SMC)
1.5KE8.2A ●	Unidirectional	1500	7.79	8.61	7.02	200	175	DO-201
1V5KE8V2A	Unidirectional	1500	7.79	8.61	7.02	200	175	DO-201
1.5SMC9.1	Unidirectional	1500	8.19	10.00	7.37	50	150	DO-214AB (SMC)
1.5SMC9.1H ●	Unidirectional	1500	8.19	10.00	7.37	50	150	DO-214AB (SMC)
1.5KE9.1 ●	Unidirectional	1500	8.19	10	7.37	50	175	DO-201
SMCJ7.5A	Unidirectional	1500	8.33	9.21	7.5	100	150	DO-214AB (SMC)
SMCJ7.5AH ●	Unidirectional	1500	8.33	9.21	7.5	100	150	DO-214AB (SMC)
SMCJ7V5A	Unidirectional	1500	8.33	9.21	7.5	100	150	DO-214AB (SMC)
SMCJ7.5	Unidirectional	1500	8.33	10.3	7.5	100	150	DO-214AB (SMC)
SMCJ7.5H ●	Unidirectional	1500	8.33	10.3	7.5	100	150	DO-214AB (SMC)
1.5SMC9.1A	Unidirectional	1500	8.645	9.55	7.78	50	150	DO-214AB (SMC)
1.5SMC9.1AH ●	Unidirectional	1500	8.645	9.55	7.78	50	150	DO-214AB (SMC)
1.5KE9.1A ●	Unidirectional	1500	8.65	9.55	7.78	50	175	DO-201
1V5KE9V1A	Unidirectional	1500	8.65	9.55	7.78	50	175	DO-201
SMCJ8.0A	Unidirectional	1500	8.89	9.83	8	50	150	DO-214AB (SMC)
SMCJ8.0AH ●	Unidirectional	1500	8.89	9.83	8	50	150	DO-214AB (SMC)
SMCJ8V0A	Unidirectional	1500	8.89	9.83	8	50	150	DO-214AB (SMC)
SMCJ8.0	Unidirectional	1500	8.89	10.9	8	50	150	DO-214AB (SMC)
SMCJ8.0H ●	Unidirectional	1500	8.89	10.9	8	50	150	DO-214AB (SMC)
1.5SMC10	Unidirectional	1500	9	11	8.1	10	150	DO-214AB (SMC)
1.5SMC10H ●	Unidirectional	1500	9	11	8.1	10	150	DO-214AB (SMC)

## TVS

(T<sub>A</sub>=25°C unless otherwise noted)

● =AEC-Q qualified

Part Number	Configuration	P <sub>PK</sub> (W)	Breakdown Voltage		VWM(V)	I <sub>R</sub> (μA)	T <sub>J</sub> Max. (°C)	Package Description
			V <sub>BR</sub> Min.(V)	V <sub>BR</sub> Max.(V)				
SMCJ8.5A	Unidirectional	1500	9.44	10.4	8.5	20	150	DO-214AB (SMC)
SMCJ8.5AH ●	Unidirectional	1500	9.44	10.4	8.5	20	150	DO-214AB (SMC)
SMCJ8V5A	Unidirectional	1500	9.44	10.4	8.5	20	150	DO-214AB (SMC)
SMCJ8.5	Unidirectional	1500	9.44	11.5	8.5	20	150	DO-214AB (SMC)
SMCJ8.5H ●	Unidirectional	1500	9.44	11.5	8.5	20	150	DO-214AB (SMC)
1.5SMC10A	Unidirectional	1500	9.5	10.5	8.55	10	150	DO-214AB (SMC)
1.5SMC10AH ●	Unidirectional	1500	9.5	10.5	8.55	10	150	DO-214AB (SMC)
1.5KE10A ●	Unidirectional	1500	9.5	10.5	8.55	10	175	DO-201
1V5KE10A	Unidirectional	1500	9.5	10.5	8.55	10	175	DO-201
1.5KE10 ●	Unidirectional	1500	9.5	11	8.55	10	175	DO-201
1.5SMC11	Unidirectional	1500	9.9	12.1	8.92	1	150	DO-214AB (SMC)
1.5SMC11H ●	Unidirectional	1500	9.9	12.1	8.92	1	150	DO-214AB (SMC)
1.5KE11 ●	Unidirectional	1500	9.9	12.1	8.92	1	175	DO-201
SMCJ9.0A	Unidirectional	1500	10	11.1	9	10	150	DO-214AB (SMC)
SMCJ9.0AH ●	Unidirectional	1500	10	11.1	9	10	150	DO-214AB (SMC)
SMCJ9V0A	Unidirectional	1500	10	11.1	9	10	150	DO-214AB (SMC)
SMCJ9.0	Unidirectional	1500	10	12.2	9	10	150	DO-214AB (SMC)
SMCJ9.0H ●	Unidirectional	1500	10	12.2	9	10	150	DO-214AB (SMC)
1.5SMC11A	Unidirectional	1500	10.45	11.6	9.4	1	150	DO-214AB (SMC)
1.5SMC11AH ●	Unidirectional	1500	10.45	11.6	9.4	1	150	DO-214AB (SMC)
1.5KE11A ●	Unidirectional	1500	10.5	11.6	9.4	1	175	DO-201
1V5KE11A	Unidirectional	1500	10.5	11.6	9.4	5	175	DO-201
1.5SMC12	Unidirectional	1500	10.8	13.2	9.72	1	150	DO-214AB (SMC)
1.5SMC12H ●	Unidirectional	1500	10.8	13.2	9.72	1	150	DO-214AB (SMC)
1.5KE12 ●	Unidirectional	1500	10.8	13.2	9.72	1	175	DO-201
SMCJ10A	Unidirectional	1500	11.1	12.3	10	5	150	DO-214AB (SMC)
SMCJ10AH ●	Unidirectional	1500	11.1	12.3	10	5	150	DO-214AB (SMC)

Part Number	Configuration	P <sub>PK</sub> (W)	Breakdown Voltage		VWM(V)	I <sub>R</sub> (μA)	T <sub>J</sub> Max. (°C)	Package Description
			V <sub>BR</sub> Min.(V)	V <sub>BR</sub> Max.(V)				
SMCJ10	Unidirectional	1500	11.1	13.6	10	5	150	DO-214AB (SMC)
SMCJ10H ●	Unidirectional	1500	11.1	13.6	10	5	150	DO-214AB (SMC)
1.5SMC12A	Unidirectional	1500	11.4	12.6	10.2	1	150	DO-214AB (SMC)
1.5SMC12AH ●	Unidirectional	1500	11.4	12.6	10.2	1	150	DO-214AB (SMC)
1.5KE12A ●	Unidirectional	1500	11.4	12.6	10.2	1	175	DO-201
1K5SMPC12APH ●	Unidirectional	1500	11.4	12.6	10.2	2	175	TO-277A (SMPC4.6U)
1V5KE12A	Unidirectional	1500	11.4	12.6	10.2	5	175	DO-201
1.5SMC13	Unidirectional	1500	11.7	14.3	10.5	1	150	DO-214AB (SMC)
1.5SMC13H ●	Unidirectional	1500	11.7	14.3	10.5	1	150	DO-214AB (SMC)
1.5KE13 ●	Unidirectional	1500	11.7	14.3	10.5	1	175	DO-201
SMCJ11A	Unidirectional	1500	12.2	13.5	11	1	150	DO-214AB (SMC)
SMCJ11AH ●	Unidirectional	1500	12.2	13.5	11	1	150	DO-214AB (SMC)
SMCJ11	Unidirectional	1500	12.2	14.9	11	1	150	DO-214AB (SMC)
SMCJ11H ●	Unidirectional	1500	12.2	14.9	11	1	150	DO-214AB (SMC)
1.5SMC13A	Unidirectional	1500	12.35	13.7	11.1	1	150	DO-214AB (SMC)
1.5SMC13AH ●	Unidirectional	1500	12.35	13.7	11.1	1	150	DO-214AB (SMC)
1.5KE13A ●	Unidirectional	1500	12.4	13.7	11.1	1	175	DO-201
1K5SMPC13APH ●	Unidirectional	1500	12.4	13.7	11.1	2	175	TO-277A (SMPC4.6U)
1V5KE13A	Unidirectional	1500	12.4	13.7	11.1	5	175	DO-201
SMCJ12A	Unidirectional	1500	13.3	14.7	12	1	150	DO-214AB (SMC)
SMCJ12AH ●	Unidirectional	1500	13.3	14.7	12	1	150	DO-214AB (SMC)
SMCJ12	Unidirectional	1500	13.3	16.3	12	1	150	DO-214AB (SMC)
SMCJ12H ●	Unidirectional	1500	13.3	16.3	12	1	150	DO-214AB (SMC)
1.5SMC15	Unidirectional	1500	13.5	16.5	12.1	1	150	DO-214AB (SMC)
1.5SMC15H ●	Unidirectional	1500	13.5	16.5	12.1	1	150	DO-214AB (SMC)
1.5KE15 ●	Unidirectional	1500	13.5	16.5	12.1	1	175	DO-201
1.5SMC15A	Unidirectional	1500	14.25	15.8	12.8	1	150	DO-214AB (SMC)

## TVS

(T<sub>A</sub>=25°C unless otherwise noted)

● =AEC-Q qualified

Part Number	Configuration	P <sub>PK</sub> (W)	Breakdown Voltage		VWM(V)	I <sub>R</sub> (μA)	T <sub>j</sub> Max. (°C)	Package Description
			V <sub>BR</sub> Min.(V)	V <sub>BR</sub> Max.(V)				
1.5SMC15AH ●	Unidirectional	1500	14.25	15.8	12.8	1	150	DO-214AB (SMC)
1.5KE15A ●	Unidirectional	1500	14.3	15.8	12.8	1	175	DO-201
1K5SMPC15APH ●	Unidirectional	1500	14.3	15.8	12.8	1	175	TO-277A (SMPC4.6U)
1V5KE15A	Unidirectional	1500	14.3	15.8	12.8	5	175	DO-201
SMCJ13A	Unidirectional	1500	14.4	15.9	13	1	150	DO-214AB (SMC)
SMCJ13AH ●	Unidirectional	1500	14.4	15.9	13	1	150	DO-214AB (SMC)
1.5SMC16	Unidirectional	1500	14.4	17.6	12.9	1	150	DO-214AB (SMC)
1.5SMC16H ●	Unidirectional	1500	14.4	17.6	12.9	1	150	DO-214AB (SMC)
1.5KE16 ●	Unidirectional	1500	14.4	17.6	12.9	1	175	DO-201
SMCJ13	Unidirectional	1500	14.4	17.6	13	1	150	DO-214AB (SMC)
SMCJ13H ●	Unidirectional	1500	14.4	17.6	13	1	150	DO-214AB (SMC)
1.5SMC16A	Unidirectional	1500	15.2	16.8	13.6	1	150	DO-214AB (SMC)
1.5SMC16AH ●	Unidirectional	1500	15.2	16.8	13.6	1	150	DO-214AB (SMC)
1.5KE16A ●	Unidirectional	1500	15.2	16.8	13.6	1	175	DO-201
1K5SMPC16APH ●	Unidirectional	1500	15.2	16.8	13.6	1	175	TO-277A (SMPC4.6U)
1V5KE16A	Unidirectional	1500	15.2	16.8	13.6	5	175	DO-201
SMCJ14A	Unidirectional	1500	15.6	17.2	14	1	150	DO-214AB (SMC)
SMCJ14AH ●	Unidirectional	1500	15.6	17.2	14	1	150	DO-214AB (SMC)
SMCJ14	Unidirectional	1500	15.6	19.1	14	1	150	DO-214AB (SMC)
SMCJ14H ●	Unidirectional	1500	15.6	19.1	14	1	150	DO-214AB (SMC)
1.5SMC18	Unidirectional	1500	16.2	19.8	14.5	1	150	DO-214AB (SMC)
1.5SMC18H ●	Unidirectional	1500	16.2	19.8	14.5	1	150	DO-214AB (SMC)
1.5KE18 ●	Unidirectional	1500	16.2	19.8	14.5	1	175	DO-201
SMCJ15A	Unidirectional	1500	16.7	18.5	15	1	150	DO-214AB (SMC)
SMCJ15AH ●	Unidirectional	1500	16.7	18.5	15	1	150	DO-214AB (SMC)
SMCJ15	Unidirectional	1500	16.7	20.4	15	1	150	DO-214AB (SMC)
SMCJ15H ●	Unidirectional	1500	16.7	20.4	15	1	150	DO-214AB (SMC)

Part Number	Configuration	P <sub>PK</sub> (W)	Breakdown Voltage		VWM(V)	I <sub>R</sub> (μA)	T <sub>j</sub> Max. (°C)	Package Description
			V <sub>BR</sub> Min.(V)	V <sub>BR</sub> Max.(V)				
1.5SMC18A	Unidirectional	1500	17.1	18.9	15.3	1	150	DO-214AB (SMC)
1.5SMC18AH ●	Unidirectional	1500	17.1	18.9	15.3	1	150	DO-214AB (SMC)
1.5KE18A ●	Unidirectional	1500	17.1	18.9	15.3	1	175	DO-201
1K5SMPC18APH ●	Unidirectional	1500	17.1	18.9	15.3	1	175	TO-277A (SMPC4.6U)
1V5KE18A	Unidirectional	1500	17.1	18.9	15.3	5	175	DO-201
SMCJ16A	Unidirectional	1500	17.8	19.7	16	1	150	DO-214AB (SMC)
SMCJ16AH ●	Unidirectional	1500	17.8	19.7	16	1	150	DO-214AB (SMC)
SMCJ16	Unidirectional	1500	17.8	21.8	16	1	150	DO-214AB (SMC)
SMCJ16H ●	Unidirectional	1500	17.8	21.8	16	1	150	DO-214AB (SMC)
1.5SMC20	Unidirectional	1500	18	22	16.2	1	150	DO-214AB (SMC)
1.5SMC20H ●	Unidirectional	1500	18	22	16.2	1	150	DO-214AB (SMC)
1.5KE20 ●	Unidirectional	1500	18	22	16.2	1	175	DO-201
SMCJ17A	Unidirectional	1500	18.9	20.9	17	1	150	DO-214AB (SMC)
SMCJ17AH ●	Unidirectional	1500	18.9	20.9	17	1	150	DO-214AB (SMC)
SMCJ17	Unidirectional	1500	18.9	23.1	17	1	150	DO-214AB (SMC)
SMCJ17H ●	Unidirectional	1500	18.9	23.1	17	1	150	DO-214AB (SMC)
1.5SMC20A	Unidirectional	1500	19	21	17.1	1	150	DO-214AB (SMC)
1.5SMC20AH ●	Unidirectional	1500	19	21	17.1	1	150	DO-214AB (SMC)
1.5KE20A ●	Unidirectional	1500	19	21	17.1	1	175	DO-201
1K5SMPC20APH ●	Unidirectional	1500	19	21	17.1	1	175	TO-277A (SMPC4.6U)
1V5KE20A	Unidirectional	1500	19	21	17.1	5	175	DO-201
1.5SMC22	Unidirectional	1500	19.8	24.2	17.8	1	150	DO-214AB (SMC)
1.5SMC22H ●	Unidirectional	1500	19.8	24.2	17.8	1	150	DO-214AB (SMC)
1.5KE22 ●	Unidirectional	1500	19.8	24.2	17.8	1	175	DO-201
SMCJ18A	Unidirectional	1500	20	22.1	18	1	150	DO-214AB (SMC)
SMCJ18AH ●	Unidirectional	1500	20	22.1	18	1	150	DO-214AB (SMC)
SMCJ18	Unidirectional	1500	20	24.4	18	1	150	DO-214AB (SMC)

## TVS

(T<sub>A</sub>=25°C unless otherwise noted)

● =AEC-Q qualified

Part Number	Configuration	P <sub>PK</sub> (W)	Breakdown Voltage		VWM(V)	I <sub>R</sub> (μA)	T <sub>J</sub> Max. (°C)	Package Description
			V <sub>BR</sub> Min.(V)	V <sub>BR</sub> Max.(V)				
SMCJ18H ●	Unidirectional	1500	20	24.4	18	1	150	DO-214AB (SMC)
1.5SMC22A	Unidirectional	1500	20.9	23.1	18.8	1	150	DO-214AB (SMC)
1.5SMC22AH ●	Unidirectional	1500	20.9	23.1	18.8	1	150	DO-214AB (SMC)
1.5KE22A ●	Unidirectional	1500	20.9	23.1	18.8	1	175	DO-201
1K5SMPC22APH ●	Unidirectional	1500	20.9	23.1	18.8	1	175	TO-277A (SMPC4.6U)
1V5KE22A	Unidirectional	1500	20.9	23.1	18.8	5	175	DO-201
1.5SMC24	Unidirectional	1500	21.6	26.4	19.4	1	150	DO-214AB (SMC)
1.5SMC24H ●	Unidirectional	1500	21.6	26.4	19.4	1	150	DO-214AB (SMC)
1.5KE24 ●	Unidirectional	1500	21.6	26.4	19.4	1	175	DO-201
SMCJ20A	Unidirectional	1500	22.2	24.5	20	1	150	DO-214AB (SMC)
SMCJ20AH ●	Unidirectional	1500	22.2	24.5	20	1	150	DO-214AB (SMC)
SMCJ20	Unidirectional	1500	22.2	27.1	20	1	150	DO-214AB (SMC)
SMCJ20H ●	Unidirectional	1500	22.2	27.1	20	1	150	DO-214AB (SMC)
1.5SMC24A	Unidirectional	1500	22.8	25.2	20.5	1	150	DO-214AB (SMC)
1.5SMC24AH ●	Unidirectional	1500	22.8	25.2	20.5	1	150	DO-214AB (SMC)
1.5KE24A ●	Unidirectional	1500	22.8	25.2	20.5	1	175	DO-201
1K5SMPC24APH ●	Unidirectional	1500	22.8	25.2	20.5	1	175	TO-277A (SMPC4.6U)
1V5KE24A	Unidirectional	1500	22.8	25.2	20.5	5	175	DO-201
1.5SMC27	Unidirectional	1500	24.3	29.7	21.8	1	150	DO-214AB (SMC)
1.5SMC27H ●	Unidirectional	1500	24.3	29.7	21.8	1	150	DO-214AB (SMC)
1.5KE27 ●	Unidirectional	1500	24.3	29.7	21.8	1	175	DO-201
SMCJ22A	Unidirectional	1500	24.4	26.9	22	1	150	DO-214AB (SMC)
SMCJ22AH ●	Unidirectional	1500	24.4	26.9	22	1	150	DO-214AB (SMC)
SMCJ22	Unidirectional	1500	24.4	29.8	22	1	150	DO-214AB (SMC)
SMCJ22H ●	Unidirectional	1500	24.4	29.8	22	1	150	DO-214AB (SMC)
1.5SMC27A	Unidirectional	1500	25.65	28.4	23.1	1	150	DO-214AB (SMC)
1.5SMC27AH ●	Unidirectional	1500	25.65	28.4	23.1	1	150	DO-214AB (SMC)

Part Number	Configuration	P <sub>PK</sub> (W)	Breakdown Voltage		VWM(V)	I <sub>R</sub> (μA)	T <sub>J</sub> Max. (°C)	Package Description
			V <sub>BR</sub> Min.(V)	V <sub>BR</sub> Max.(V)				
1.5KE27A ●	Unidirectional	1500	25.7	28.4	23.1	1	175	DO-201
1K5SMPC27APH ●	Unidirectional	1500	25.7	28.4	23.1	1	175	TO-277A (SMPC4.6U)
1V5KE27A	Unidirectional	1500	25.7	28.4	23.1	5	175	DO-201
SMCJ24A	Unidirectional	1500	26.7	29.5	24	1	150	DO-214AB (SMC)
SMCJ24AH ●	Unidirectional	1500	26.7	29.5	24	1	150	DO-214AB (SMC)
SMCJ24	Unidirectional	1500	26.7	32.6	24	1	150	DO-214AB (SMC)
SMCJ24H ●	Unidirectional	1500	26.7	32.6	24	1	150	DO-214AB (SMC)
1.5SMC30	Unidirectional	1500	27	33	24.3	1	150	DO-214AB (SMC)
1.5SMC30H ●	Unidirectional	1500	27	33	24.3	1	150	DO-214AB (SMC)
1.5KE30 ●	Unidirectional	1500	27	33	24.3	1	175	DO-201
1.5SMC30A	Unidirectional	1500	28.5	31.5	25.6	1	150	DO-214AB (SMC)
1.5SMC30AH ●	Unidirectional	1500	28.5	31.5	25.6	1	150	DO-214AB (SMC)
1.5KE30A ●	Unidirectional	1500	28.5	31.5	25.6	1	175	DO-201
1K5SMPC30APH ●	Unidirectional	1500	28.5	31.5	25.6	1	175	TO-277A (SMPC4.6U)
1V5KE30A	Unidirectional	1500	28.5	31.5	25.6	5	175	DO-201
SMCJ26A	Unidirectional	1500	28.9	31.9	26	1	150	DO-214AB (SMC)
SMCJ26AH ●	Unidirectional	1500	28.9	31.9	26	1	150	DO-214AB (SMC)
SMCJ26	Unidirectional	1500	28.9	35.3	26	1	150	DO-214AB (SMC)
SMCJ26H ●	Unidirectional	1500	28.9	35.3	26	1	150	DO-214AB (SMC)
1.5SMC33	Unidirectional	1500	29.7	36.3	26.8	1	150	DO-214AB (SMC)
1.5SMC33H ●	Unidirectional	1500	29.7	36.3	26.8	1	150	DO-214AB (SMC)
1.5KE33 ●	Unidirectional	1500	29.7	36.3	26.8	1	175	DO-201
SMCJ28A	Unidirectional	1500	31.1	34.4	28	1	150	DO-214AB (SMC)
SMCJ28AH ●	Unidirectional	1500	31.1	34.4	28	1	150	DO-214AB (SMC)
SMCJ28	Unidirectional	1500	31.1	38	28	1	150	DO-214AB (SMC)
SMCJ28H ●	Unidirectional	1500	31.1	38	28	1	150	DO-214AB (SMC)
1.5SMC33A	Unidirectional	1500	31.35	34.7	28.2	1	150	DO-214AB (SMC)

## TVS

(T<sub>A</sub>=25°C unless otherwise noted)

● =AEC-Q qualified

Part Number	Configuration	P <sub>PK</sub> (W)	Breakdown Voltage		VWM(V)	I <sub>R</sub> (μA)	T <sub>j</sub> Max. (°C)	Package Description
			V <sub>BR</sub> Min.(V)	V <sub>BR</sub> Max.(V)				
1.5SMC33AH ●	Unidirectional	1500	31.35	34.7	28.2	1	150	DO-214AB (SMC)
1.5KE33A ●	Unidirectional	1500	31.4	34.7	28.2	1	175	DO-201
1K5SMPC33APH ●	Unidirectional	1500	31.4	34.7	28.2	1	175	TO-277A (SMPC4.6U)
1V5KE33A	Unidirectional	1500	31.4	34.7	28.2	5	175	DO-201
1.5SMC36	Unidirectional	1500	32.4	39.6	29.1	1	150	DO-214AB (SMC)
1.5SMC36H ●	Unidirectional	1500	32.4	39.6	29.1	1	150	DO-214AB (SMC)
1.5KE36 ●	Unidirectional	1500	32.4	39.6	29.1	1	175	DO-201
SMCJ30A	Unidirectional	1500	33.3	36.8	30	1	150	DO-214AB (SMC)
SMCJ30AH ●	Unidirectional	1500	33.3	36.8	30	1	150	DO-214AB (SMC)
SMCJ30	Unidirectional	1500	33.3	40.7	30	1	150	DO-214AB (SMC)
SMCJ30H ●	Unidirectional	1500	33.3	40.7	30	1	150	DO-214AB (SMC)
1.5SMC36A	Unidirectional	1500	34.2	37.8	30.8	1	150	DO-214AB (SMC)
1.5SMC36AH ●	Unidirectional	1500	34.2	37.8	30.8	1	150	DO-214AB (SMC)
1.5KE36A ●	Unidirectional	1500	34.2	37.8	30.8	1	175	DO-201
1K5SMPC36APH ●	Unidirectional	1500	34.2	37.8	30.8	1	175	TO-277A (SMPC4.6U)
1V5KE36A	Unidirectional	1500	34.2	37.8	30.8	5	175	DO-201
1.5SMC39	Unidirectional	1500	35.1	42.9	31.6	1	150	DO-214AB (SMC)
1.5SMC39H ●	Unidirectional	1500	35.1	42.9	31.6	1	150	DO-214AB (SMC)
1.5KE39 ●	Unidirectional	1500	35.1	42.9	31.6	1	175	DO-201
SMCJ33A	Unidirectional	1500	36.7	40.6	33	1	150	DO-214AB (SMC)
SMCJ33AH ●	Unidirectional	1500	36.7	40.6	33	1	150	DO-214AB (SMC)
SMCJ33	Unidirectional	1500	36.7	44.9	33	1	150	DO-214AB (SMC)
SMCJ33H ●	Unidirectional	1500	36.7	44.9	33	1	150	DO-214AB (SMC)
1.5SMC39A	Unidirectional	1500	37.05	41.0	33.3	1	150	DO-214AB (SMC)
1.5SMC39AH ●	Unidirectional	1500	37.05	41.0	33.3	1	150	DO-214AB (SMC)
1.5KE39A ●	Unidirectional	1500	37.1	41	33.3	1	175	DO-201
1K5SMPC39APH ●	Unidirectional	1500	37.1	41	33.3	1	175	TO-277A (SMPC4.6U)

Part Number	Configuration	P <sub>PK</sub> (W)	Breakdown Voltage		VWM(V)	I <sub>R</sub> (μA)	T <sub>j</sub> Max. (°C)	Package Description
			V <sub>BR</sub> Min.(V)	V <sub>BR</sub> Max.(V)				
1V5KE39A	Unidirectional	1500	37.1	41	33.3	5	175	DO-201
1.5SMC43	Unidirectional	1500	38.7	47.3	34.8	1	150	DO-214AB (SMC)
1.5SMC43H ●	Unidirectional	1500	38.7	47.3	34.8	1	150	DO-214AB (SMC)
1.5KE43 ●	Unidirectional	1500	38.7	47.3	34.8	1	175	DO-201
SMCJ36A	Unidirectional	1500	40	44.2	36	1	150	DO-214AB (SMC)
SMCJ36AH ●	Unidirectional	1500	40	44.2	36	1	150	DO-214AB (SMC)
SMCJ36	Unidirectional	1500	40	48.9	36	1	150	DO-214AB (SMC)
SMCJ36H ●	Unidirectional	1500	40	48.9	36	1	150	DO-214AB (SMC)
1.5SMC43A	Unidirectional	1500	40.85	45.15	36.8	1	150	DO-214AB (SMC)
1.5SMC43AH ●	Unidirectional	1500	40.85	45.15	36.8	1	150	DO-214AB (SMC)
1.5KE43A ●	Unidirectional	1500	40.9	45.2	36.8	1	175	DO-201
1K5SMPC43APH ●	Unidirectional	1500	40.9	45.2	36.8	1	175	TO-277A (SMPC4.6U)
1V5KE43A	Unidirectional	1500	40.9	45.2	36.8	5	175	DO-201
1.5SMC47	Unidirectional	1500	42.3	51.7	38.1	1	150	DO-214AB (SMC)
1.5SMC47H ●	Unidirectional	1500	42.3	51.7	38.1	1	150	DO-214AB (SMC)
1.5KE47 ●	Unidirectional	1500	42.3	51.7	38.1	1	175	DO-201
SMCJ40A	Unidirectional	1500	44.4	49.1	40	1	150	DO-214AB (SMC)
SMCJ40AH ●	Unidirectional	1500	44.4	49.1	40	1	150	DO-214AB (SMC)
SMCJ40	Unidirectional	1500	44.4	54.3	40	1	150	DO-214AB (SMC)
SMCJ40H ●	Unidirectional	1500	44.4	54.3	40	1	150	DO-214AB (SMC)
1.5SMC47A	Unidirectional	1500	44.65	49.4	40.2	1	150	DO-214AB (SMC)
1.5SMC47AH ●	Unidirectional	1500	44.65	49.4	40.2	1	150	DO-214AB (SMC)
1.5KE47A ●	Unidirectional	1500	44.7	49.4	40.2	1	175	DO-201
1K5SMPC47APH ●	Unidirectional	1500	44.7	49.4	40.2	1	175	TO-277A (SMPC4.6U)
1V5KE47A	Unidirectional	1500	44.7	49.4	40.2	5	175	DO-201
1.5SMC51	Unidirectional	1500	45.9	56.1	41.3	1	150	DO-214AB (SMC)
1.5SMC51H ●	Unidirectional	1500	45.9	56.1	41.3	1	150	DO-214AB (SMC)

## TVS

(T<sub>A</sub>=25°C unless otherwise noted)

● =AEC-Q qualified

Part Number	Configuration	P <sub>PK</sub> (W)	Breakdown Voltage		VWM(V)	I <sub>R</sub> (μA)	T <sub>j</sub> Max. (°C)	Package Description
			V <sub>BR</sub> Min.(V)	V <sub>BR</sub> Max.(V)				
1.5KE51 ●	Unidirectional	1500	45.9	56.1	41.3	1	175	DO-201
SMCJ43A	Unidirectional	1500	47.8	52.8	43	1	150	DO-214AB (SMC)
SMCJ43AH ●	Unidirectional	1500	47.8	52.8	43	1	150	DO-214AB (SMC)
SMCJ43	Unidirectional	1500	47.8	58.4	43	1	150	DO-214AB (SMC)
SMCJ43H ●	Unidirectional	1500	47.8	58.4	43	1	150	DO-214AB (SMC)
1.5SMC51A	Unidirectional	1500	48.45	53.6	43.6	1	150	DO-214AB (SMC)
1.5SMC51AH ●	Unidirectional	1500	48.45	53.6	43.6	1	150	DO-214AB (SMC)
1.5KE51A ●	Unidirectional	1500	48.5	53.6	43.6	1	175	DO-201
1K5SMPC51APH ●	Unidirectional	1500	48.5	53.6	43.6	1	175	TO-277A (SMPC4.6U)
1V5KE51A	Unidirectional	1500	48.5	53.6	43.6	5	175	DO-201
SMCJ45A	Unidirectional	1500	50	55.3	45	1	150	DO-214AB (SMC)
SMCJ45AH ●	Unidirectional	1500	50	55.3	45	1	150	DO-214AB (SMC)
SMCJ45	Unidirectional	1500	50	61.1	45	1	150	DO-214AB (SMC)
SMCJ45H ●	Unidirectional	1500	50	61.1	45	1	150	DO-214AB (SMC)
1.5SMC56	Unidirectional	1500	50.4	61.6	45.4	1	150	DO-214AB (SMC)
1.5SMC56H ●	Unidirectional	1500	50.4	61.6	45.4	1	150	DO-214AB (SMC)
1.5KE56 ●	Unidirectional	1500	50.4	61.8	45.4	1	175	DO-201
1.5SMC56A	Unidirectional	1500	53.2	58.8	47.8	1	150	DO-214AB (SMC)
1.5SMC56AH ●	Unidirectional	1500	53.2	58.8	47.8	1	150	DO-214AB (SMC)
1.5KE56A ●	Unidirectional	1500	53.2	58.8	47.8	1	175	DO-201
1V5KE56A	Unidirectional	1500	53.2	58.8	47.8	5	175	DO-201
SMCJ48A	Unidirectional	1500	53.3	58.9	48	1	150	DO-214AB (SMC)
SMCJ48AH ●	Unidirectional	1500	53.3	58.9	48	1	150	DO-214AB (SMC)
SMCJ48	Unidirectional	1500	53.3	65.1	48	1	150	DO-214AB (SMC)
SMCJ48H ●	Unidirectional	1500	53.3	65.1	48	1	150	DO-214AB (SMC)
1.5SMC62	Unidirectional	1500	55.8	68.2	50.2	1	150	DO-214AB (SMC)
1.5SMC62H ●	Unidirectional	1500	55.8	68.2	50.2	1	150	DO-214AB (SMC)

Part Number	Configuration	P <sub>PK</sub> (W)	Breakdown Voltage		VWM(V)	I <sub>R</sub> (μA)	T <sub>j</sub> Max. (°C)	Package Description
			V <sub>BR</sub> Min.(V)	V <sub>BR</sub> Max.(V)				
1.5KE62 ●	Unidirectional	1500	55.8	68.2	50.2	1	175	DO-201
SMCJ51A	Unidirectional	1500	56.7	62.7	51	1	150	DO-214AB (SMC)
SMCJ51AH ●	Unidirectional	1500	56.7	62.7	51	1	150	DO-214AB (SMC)
SMCJ51	Unidirectional	1500	56.7	69.3	51	1	150	DO-214AB (SMC)
SMCJ51H ●	Unidirectional	1500	56.7	69.3	51	1	150	DO-214AB (SMC)
1.5SMC62A	Unidirectional	1500	58.9	65.1	53	1	150	DO-214AB (SMC)
1.5SMC62AH ●	Unidirectional	1500	58.9	65.1	53	1	150	DO-214AB (SMC)
1.5KE62A ●	Unidirectional	1500	58.9	65.1	53	1	175	DO-201
1V5KE62A	Unidirectional	1500	58.9	65.1	53	5	175	DO-201
SMCJ54A	Unidirectional	1500	60	66.3	54	1	150	DO-214AB (SMC)
SMCJ54AH ●	Unidirectional	1500	60	66.3	54	1	150	DO-214AB (SMC)
SMCJ54	Unidirectional	1500	60	73.3	54	1	150	DO-214AB (SMC)
SMCJ54H ●	Unidirectional	1500	60	73.3	54	1	150	DO-214AB (SMC)
1.5SMC68	Unidirectional	1500	61.2	74.8	55.1	1	150	DO-214AB (SMC)
1.5SMC68H ●	Unidirectional	1500	61.2	74.8	55.1	1	150	DO-214AB (SMC)
1.5KE68 ●	Unidirectional	1500	61.2	74.8	55.1	1	175	DO-201
SMCJ58A	Unidirectional	1500	64.4	71.2	58	1	150	DO-214AB (SMC)
SMCJ58AH ●	Unidirectional	1500	64.4	71.2	58	1	150	DO-214AB (SMC)
SMCJ58	Unidirectional	1500	64.4	78.7	58	1	150	DO-214AB (SMC)
SMCJ58H ●	Unidirectional	1500	64.4	78.7	58	1	150	DO-214AB (SMC)
1.5SMC68A	Unidirectional	1500	64.6	71.4	58.1	1	150	DO-214AB (SMC)
1.5SMC68AH ●	Unidirectional	1500	64.6	71.4	58.1	1	150	DO-214AB (SMC)
1.5KE68A ●	Unidirectional	1500	64.6	71.4	58.1	1	175	DO-201
1V5KE68A	Unidirectional	1500	64.6	71.4	58.1	5	175	DO-201
SMCJ60A	Unidirectional	1500	66.7	73.7	60	1	150	DO-214AB (SMC)
SMCJ60AH ●	Unidirectional	1500	66.7	73.7	60	1	150	DO-214AB (SMC)
SMCJ60	Unidirectional	1500	66.7	81.5	60	1	150	DO-214AB (SMC)

## TVS

(T<sub>A</sub>=25°C unless otherwise noted)

● =AEC-Q qualified

Part Number	Configuration	P <sub>PK</sub> (W)	Breakdown Voltage		VWM(V)	I <sub>R</sub> (μA)	T <sub>j</sub> Max. (°C)	Package Description
			V <sub>BR</sub> Min.(V)	V <sub>BR</sub> Max.(V)				
SMCJ60H ●	Unidirectional	1500	66.7	81.5	60	1	150	DO-214AB (SMC)
1.5SMC75	Unidirectional	1500	67.5	82.5	60.7	1	150	DO-214AB (SMC)
1.5SMC75H ●	Unidirectional	1500	67.5	82.5	60.7	1	150	DO-214AB (SMC)
1.5KE75 ●	Unidirectional	1500	67.5	82.5	60.7	1	175	DO-201
SMCJ64A	Unidirectional	1500	71.1	78.6	64	1	150	DO-214AB (SMC)
SMCJ64AH ●	Unidirectional	1500	71.1	78.6	64	1	150	DO-214AB (SMC)
SMCJ64	Unidirectional	1500	71.1	86.9	64	1	150	DO-214AB (SMC)
SMCJ64H ●	Unidirectional	1500	71.1	86.9	64	1	150	DO-214AB (SMC)
1.5SMC75A	Unidirectional	1500	71.25	78.8	64.1	1	150	DO-214AB (SMC)
1.5SMC75AH ●	Unidirectional	1500	71.25	78.8	64.1	1	150	DO-214AB (SMC)
1.5KE75A ●	Unidirectional	1500	71.3	78.8	64.1	1	175	DO-201
1V5KE75A	Unidirectional	1500	71.3	78.8	64.1	5	175	DO-201
1.5SMC82	Unidirectional	1500	73.8	90.2	66.4	1	150	DO-214AB (SMC)
1.5SMC82H ●	Unidirectional	1500	73.8	90.2	66.4	1	150	DO-214AB (SMC)
1.5KE82 ●	Unidirectional	1500	73.8	90.2	66.4	1	175	DO-201
SMCJ70A	Unidirectional	1500	77.8	86	70	1	150	DO-214AB (SMC)
SMCJ70AH ●	Unidirectional	1500	77.8	86	70	1	150	DO-214AB (SMC)
SMCJ70	Unidirectional	1500	77.8	95.1	70	1	150	DO-214AB (SMC)
SMCJ70H ●	Unidirectional	1500	77.8	95.1	70	1	150	DO-214AB (SMC)
1.5SMC82A	Unidirectional	1500	77.9	86.1	70.1	1	150	DO-214AB (SMC)
1.5SMC82AH ●	Unidirectional	1500	77.9	86.1	70.1	1	150	DO-214AB (SMC)
1.5KE82A ●	Unidirectional	1500	77.9	86.1	70.1	1	175	DO-201
1V5KE82A	Unidirectional	1500	77.9	86.1	70.1	5	175	DO-201
1.5KE91 ●	Unidirectional	1500	81.9	100	73.7	1	175	DO-201
1.5SMC91	Unidirectional	1500	81.9	100.1	73.7	1	150	DO-214AB (SMC)
1.5SMC91H ●	Unidirectional	1500	81.9	100.1	73.7	1	150	DO-214AB (SMC)
SMCJ75A	Unidirectional	1500	83.3	92.1	75	1	150	DO-214AB (SMC)

Part Number	Configuration	P <sub>PK</sub> (W)	Breakdown Voltage		VWM(V)	I <sub>R</sub> (μA)	T <sub>j</sub> Max. (°C)	Package Description
			V <sub>BR</sub> Min.(V)	V <sub>BR</sub> Max.(V)				
SMCJ75AH ●	Unidirectional	1500	83.3	92.1	75	1	150	DO-214AB (SMC)
SMCJ75	Unidirectional	1500	83.3	102	75	1	150	DO-214AB (SMC)
SMCJ75H ●	Unidirectional	1500	83.3	102	75	1	150	DO-214AB (SMC)
1.5SMC91A	Unidirectional	1500	86.45	95.5	77.8	1	150	DO-214AB (SMC)
1.5SMC91AH ●	Unidirectional	1500	86.45	95.5	77.8	1	150	DO-214AB (SMC)
1.5KE91A ●	Unidirectional	1500	86.5	95.5	77.8	1	175	DO-201
1V5KE91A	Unidirectional	1500	86.5	95.5	77.8	5	175	DO-201
SMCJ78A	Unidirectional	1500	86.7	95.8	78	1	150	DO-214AB (SMC)
SMCJ78AH ●	Unidirectional	1500	86.7	95.8	78	1	150	DO-214AB (SMC)
SMCJ78	Unidirectional	1500	86.7	106	78	1	150	DO-214AB (SMC)
SMCJ78H ●	Unidirectional	1500	86.7	106	78	1	150	DO-214AB (SMC)
1.5SMC100	Unidirectional	1500	90	110	81	1	150	DO-214AB (SMC)
1.5SMC100H ●	Unidirectional	1500	90	110	81	1	150	DO-214AB (SMC)
1.5KE100 ●	Unidirectional	1500	90	110	81	1	175	DO-201
SMCJ85A	Unidirectional	1500	94.4	104	85	1	150	DO-214AB (SMC)
SMCJ85AH ●	Unidirectional	1500	94.4	104	85	1	150	DO-214AB (SMC)
SMCJ85	Unidirectional	1500	94.4	115	85	1	150	DO-214AB (SMC)
SMCJ85H ●	Unidirectional	1500	94.4	115	85	1	150	DO-214AB (SMC)
1.5SMC100A	Unidirectional	1500	95	105	85.5	1	150	DO-214AB (SMC)
1.5SMC100AH ●	Unidirectional	1500	95	105	85.5	1	150	DO-214AB (SMC)
1.5KE100A ●	Unidirectional	1500	95	105	85.5	1	175	DO-201
1V5KE100A	Unidirectional	1500	95	105	85.5	5	175	DO-201
1.5SMC110	Unidirectional	1500	99	121	89.2	1	150	DO-214AB (SMC)
1.5SMC110H ●	Unidirectional	1500	99	121	89.2	1	150	DO-214AB (SMC)
1.5KE110 ●	Unidirectional	1500	99	121	89.2	1	175	DO-201
SMCJ90A	Unidirectional	1500	100	111	90	1	150	DO-214AB (SMC)
SMCJ90AH ●	Unidirectional	1500	100	111	90	1	150	DO-214AB (SMC)

## TVS

(T<sub>A</sub>=25°C unless otherwise noted)

● =AEC-Q qualified

Part Number	Configuration	P <sub>PK</sub> (W)	Breakdown Voltage		VWM(V)	I <sub>R</sub> (μA)	T <sub>j</sub> Max. (°C)	Package Description
			V <sub>BR</sub> Min.(V)	V <sub>BR</sub> Max.(V)				
SMCJ90	Unidirectional	1500	100	122	90	1	150	DO-214AB (SMC)
SMCJ90H ●	Unidirectional	1500	100	122	90	1	150	DO-214AB (SMC)
1.5SMC110A	Unidirectional	1500	104.5	115.5	94	1	150	DO-214AB (SMC)
1.5SMC110AH ●	Unidirectional	1500	104.5	115.5	94	1	150	DO-214AB (SMC)
1.5KE110A ●	Unidirectional	1500	105	116	94	1	175	DO-201
1V5KE110A	Unidirectional	1500	106	116	94	5	175	DO-201
1.5SMC120	Unidirectional	1500	108	132	97.2	1	150	DO-214AB (SMC)
1.5SMC120H ●	Unidirectional	1500	108	132	97.2	1	150	DO-214AB (SMC)
1.5KE120 ●	Unidirectional	1500	108	132	97.2	1	175	DO-201
SMCJ100A	Unidirectional	1500	111	123	100	1	150	DO-214AB (SMC)
SMCJ100AH ●	Unidirectional	1500	111	123	100	1	150	DO-214AB (SMC)
SMCJ100	Unidirectional	1500	111	136	100	1	150	DO-214AB (SMC)
SMCJ100H ●	Unidirectional	1500	111	136	100	1	150	DO-214AB (SMC)
1.5SMC120A	Unidirectional	1500	114	126	102	1	150	DO-214AB (SMC)
1.5SMC120AH ●	Unidirectional	1500	114	126	102	1	150	DO-214AB (SMC)
1.5KE120A ●	Unidirectional	1500	114	126	102	1	175	DO-201
1V5KE120A	Unidirectional	1500	114	126	102	5	175	DO-201
1.5SMC130	Unidirectional	1500	117	143	105	1	150	DO-214AB (SMC)
1.5SMC130H ●	Unidirectional	1500	117	143	105	1	150	DO-214AB (SMC)
1.5KE130 ●	Unidirectional	1500	117	143	105	1	175	DO-201
SMCJ110A	Unidirectional	1500	122	135	110	1	150	DO-214AB (SMC)
SMCJ110AH ●	Unidirectional	1500	122	135	110	1	150	DO-214AB (SMC)
SMCJ110	Unidirectional	1500	122	149	110	1	150	DO-214AB (SMC)
SMCJ110H ●	Unidirectional	1500	122	149	110	1	150	DO-214AB (SMC)
1.5SMC130A	Unidirectional	1500	123.5	136.5	111	1	150	DO-214AB (SMC)
1.5SMC130AH ●	Unidirectional	1500	123.5	136.5	111	1	150	DO-214AB (SMC)
1.5KE130A ●	Unidirectional	1500	124	137	111	1	175	DO-201

Part Number	Configuration	P <sub>PK</sub> (W)	Breakdown Voltage		VWM(V)	I <sub>R</sub> (μA)	T <sub>j</sub> Max. (°C)	Package Description
			V <sub>BR</sub> Min.(V)	V <sub>BR</sub> Max.(V)				
1V5KE130A	Unidirectional	1500	124	137	111	5	175	DO-201
SMCJ120A	Unidirectional	1500	133	147	120	1	150	DO-214AB (SMC)
SMCJ120AH ●	Unidirectional	1500	133	147	120	1	150	DO-214AB (SMC)
SMCJ120	Unidirectional	1500	133	163	120	1	150	DO-214AB (SMC)
SMCJ120H ●	Unidirectional	1500	133	163	120	1	150	DO-214AB (SMC)
1.5SMC150	Unidirectional	1500	135	165	121	1	150	DO-214AB (SMC)
1.5SMC150H ●	Unidirectional	1500	135	165	121	1	150	DO-214AB (SMC)
1.5KE150 ●	Unidirectional	1500	135	165	121	1	175	DO-201
1.5SMC150A	Unidirectional	1500	142.5	157.5	128	1	150	DO-214AB (SMC)
1.5SMC150AH ●	Unidirectional	1500	142.5	157.5	128	1	150	DO-214AB (SMC)
1.5KE150A ●	Unidirectional	1500	143	158	128	1	175	DO-201
1V5KE150A	Unidirectional	1500	143	158	128	5	175	DO-201
SMCJ130A	Unidirectional	1500	144	159	130	1	150	DO-214AB (SMC)
SMCJ130AH ●	Unidirectional	1500	144	159	130	1	150	DO-214AB (SMC)
1.5SMC160	Unidirectional	1500	144	176	130	1	150	DO-214AB (SMC)
1.5SMC160H ●	Unidirectional	1500	144	176	130	1	150	DO-214AB (SMC)
SMCJ130	Unidirectional	1500	144	176	130	1	150	DO-214AB (SMC)
SMCJ130H ●	Unidirectional	1500	144	176	130	1	150	DO-214AB (SMC)
1.5KE160 ●	Unidirectional	1500	144	176	130	1	175	DO-201
1.5SMC160A	Unidirectional	1500	152	168	136	1	150	DO-214AB (SMC)
1.5SMC160AH ●	Unidirectional	1500	152	168	136	1	150	DO-214AB (SMC)
1.5KE160A ●	Unidirectional	1500	152	168	136	1	175	DO-201
1V5KE160A	Unidirectional	1500	152	168	136	5	175	DO-201
1.5SMC170	Unidirectional	1500	153	187	138	1	150	DO-214AB (SMC)
1.5SMC170H ●	Unidirectional	1500	153	187	138	1	150	DO-214AB (SMC)
1.5KE170 ●	Unidirectional	1500	153	187	138	1	175	DO-201
1.5SMC170A	Unidirectional	1500	161.5	178.5	145	1	150	DO-214AB (SMC)



## TVS

(T<sub>A</sub>=25°C unless otherwise noted)

● =AEC-Q qualified

Part Number	Configuration	P <sub>PK</sub> (W)	Breakdown Voltage		VWM(V)	I <sub>R</sub> (μA)	T <sub>J</sub> Max. (°C)	Package Description
			V <sub>BR</sub> Min.(V)	V <sub>BR</sub> Max.(V)				
1.5SMC170AH ●	Unidirectional	1500	161.5	178.5	145	1	150	DO-214AB (SMC)
1.5KE170A ●	Unidirectional	1500	162	179	145	1	175	DO-201
1V5KE170A	Unidirectional	1500	162	179	145	5	175	DO-201
1.5SMC180	Unidirectional	1500	162	198	146	1	150	DO-214AB (SMC)
1.5SMC180H ●	Unidirectional	1500	162	198	146	1	150	DO-214AB (SMC)
1.5KE180 ●	Unidirectional	1500	162	198	146	1	175	DO-201
SMCJ150A	Unidirectional	1500	167	185	150	1	150	DO-214AB (SMC)
SMCJ150AH ●	Unidirectional	1500	167	185	150	1	150	DO-214AB (SMC)
SMCJ150	Unidirectional	1500	167	204	150	1	150	DO-214AB (SMC)
SMCJ150H ●	Unidirectional	1500	167	204	150	1	150	DO-214AB (SMC)
1.5SMC180A	Unidirectional	1500	171	189	154	1	150	DO-214AB (SMC)
1.5SMC180AH ●	Unidirectional	1500	171	189	154	1	150	DO-214AB (SMC)
1.5KE180A ●	Unidirectional	1500	171	189	154	1	175	DO-201
1V5KE180A	Unidirectional	1500	171	189	154	5	175	DO-201
SMCJ160A	Unidirectional	1500	178	197	160	1	150	DO-214AB (SMC)
SMCJ160AH ●	Unidirectional	1500	178	197	160	1	150	DO-214AB (SMC)
SMCJ160	Unidirectional	1500	178	218	160	1	150	DO-214AB (SMC)
SMCJ160H ●	Unidirectional	1500	178	218	160	1	150	DO-214AB (SMC)
1.5SMC200	Unidirectional	1500	180	220	162	1	150	DO-214AB (SMC)
1.5SMC200H ●	Unidirectional	1500	180	220	162	1	150	DO-214AB (SMC)
1.5KE200 ●	Unidirectional	1500	180	220	162	1	175	DO-201
SMCJ170A	Unidirectional	1500	189	209	170	1	150	DO-214AB (SMC)
SMCJ170AH ●	Unidirectional	1500	189	209	170	1	150	DO-214AB (SMC)
SMCJ170	Unidirectional	1500	189	231	170	1	150	DO-214AB (SMC)
SMCJ170H ●	Unidirectional	1500	189	231	170	1	150	DO-214AB (SMC)
1.5SMC200A	Unidirectional	1500	190	210	171	1	150	DO-214AB (SMC)
1.5SMC200AH ●	Unidirectional	1500	190	210	171	1	150	DO-214AB (SMC)

Part Number	Configuration	P <sub>PK</sub> (W)	Breakdown Voltage		VWM(V)	I <sub>R</sub> (μA)	T <sub>J</sub> Max. (°C)	Package Description
			V <sub>BR</sub> Min.(V)	V <sub>BR</sub> Max.(V)				
1.5KE200A ●	Unidirectional	1500	190	210	171	1	175	DO-201
1V5KE200A	Unidirectional	1500	190	210	171	5	175	DO-201
1.5KE220 ●	Unidirectional	1500	198	242	175	1	175	DO-201
1.5KE220A ●	Unidirectional	1500	209	231	185	1	175	DO-201
1V5KE220A	Unidirectional	1500	209	231	185	5	175	DO-201
1.5KE250 ●	Unidirectional	1500	225	275	202	1	175	DO-201
1.5KE250A ●	Unidirectional	1500	237	263	214	1	175	DO-201
1V5KE250A	Unidirectional	1500	237	263	214	5	175	DO-201
1.5KE300 ●	Unidirectional	1500	270	330	243	1	175	DO-201
1.5KE300A ●	Unidirectional	1500	285	315	256	1	175	DO-201
1V5KE300A	Unidirectional	1500	285	315	256	5	175	DO-201
1.5KE350 ●	Unidirectional	1500	315	385	284	1	175	DO-201
1.5KE350A ●	Unidirectional	1500	333	368	300	1	175	DO-201
1V5KE350A	Unidirectional	1500	333	368	300	5	175	DO-201
1.5KE400 ●	Unidirectional	1500	360	440	324	1	175	DO-201
1.5KE400A ●	Unidirectional	1500	380	420	342	1	175	DO-201
1V5KE400A	Unidirectional	1500	380	420	342	5	175	DO-201
1.5KE440 ●	Unidirectional	1500	396	484	356	1	175	DO-201
1.5KE440A ●	Unidirectional	1500	418	462	376	1	175	DO-201
1V5KE440A	Unidirectional	1500	418	462	376	5	175	DO-201
SMDJ10A	Unidirectional	3000	11.1	12.3	10	5	175	DO-214AB (SMC)
SMDJ10AH ●	Unidirectional	3000	11.1	12.3	10	5	175	DO-214AB (SMC)
3KSMC12AH ●	Unidirectional	3000	11.4	12.6	10	5	175	DO-214AB (SMC)
SMDJ11A	Unidirectional	3000	12	13.5	11	1	175	DO-214AB (SMC)
SMDJ11AH ●	Unidirectional	3000	12	13.5	11	1	175	DO-214AB (SMC)
SMDJ12A	Unidirectional	3000	13	14.7	12	1	175	DO-214AB (SMC)
SMDJ12AH ●	Unidirectional	3000	13	14.7	12	1	175	DO-214AB (SMC)

## TVS

(T<sub>A</sub>=25°C unless otherwise noted)

● =AEC-Q qualified

Part Number	Configuration	P <sub>PK</sub> (W)	Breakdown Voltage		VWM(V)	I <sub>R</sub> (μA)	T <sub>J</sub> Max. (°C)	Package Description
			V <sub>BR</sub> Min.(V)	V <sub>BR</sub> Max.(V)				
3KSMC15AH ●	Unidirectional	3000	14.3	15.8	13	3	175	DO-214AB (SMC)
SMDJ13A	Unidirectional	3000	14.4	15.9	13	1	175	DO-214AB (SMC)
SMDJ13AH ●	Unidirectional	3000	14.4	15.9	13	1	175	DO-214AB (SMC)
SMDJ14A	Unidirectional	3000	15.6	17.2	14	1	175	DO-214AB (SMC)
SMDJ14AH ●	Unidirectional	3000	15.6	17.2	14	1	175	DO-214AB (SMC)
SMDJ15A	Unidirectional	3000	16.7	18.5	15	1	175	DO-214AB (SMC)
SMDJ15AH ●	Unidirectional	3000	16.7	18.5	15	1	175	DO-214AB (SMC)
3KSMC18AH ●	Unidirectional	3000	16.7	18.5	15	3	175	DO-214AB (SMC)
3KSMC19AH ●	Unidirectional	3000	17.8	19.6	16	3	175	DO-214AB (SMC)
SMDJ16A	Unidirectional	3000	17.8	19.7	16	1	175	DO-214AB (SMC)
SMDJ16AH ●	Unidirectional	3000	17.8	19.7	16	1	175	DO-214AB (SMC)
SMDJ17A	Unidirectional	3000	18.9	20.9	17	1	175	DO-214AB (SMC)
SMDJ17AH ●	Unidirectional	3000	18.9	20.9	17	1	175	DO-214AB (SMC)
SMDJ18A	Unidirectional	3000	20	22.1	18	1	175	DO-214AB (SMC)
SMDJ18AH ●	Unidirectional	3000	20	22.1	18	1	175	DO-214AB (SMC)
3KSMC21AH ●	Unidirectional	3000	20	22.2	18	3	175	DO-214AB (SMC)
SMDJ20A	Unidirectional	3000	22.2	24.5	20	1	175	DO-214AB (SMC)
SMDJ20AH ●	Unidirectional	3000	22.2	24.5	20	1	175	DO-214AB (SMC)
3KSMC23AH ●	Unidirectional	3000	22.2	24.6	20	3	175	DO-214AB (SMC)
SMDJ22A	Unidirectional	3000	24.4	26.9	22	1	175	DO-214AB (SMC)
SMDJ22AH ●	Unidirectional	3000	24.4	26.9	22	1	175	DO-214AB (SMC)
3KSMC26AH ●	Unidirectional	3000	24.4	27	22	3	175	DO-214AB (SMC)
SMDJ24A	Unidirectional	3000	26.7	29.5	24	1	175	DO-214AB (SMC)
SMDJ24AH ●	Unidirectional	3000	26.7	29.5	24	1	175	DO-214AB (SMC)
3KSMC28AH ●	Unidirectional	3000	26.7	29.5	24	3	175	DO-214AB (SMC)
SMDJ26A	Unidirectional	3000	28.9	31.9	26	1	175	DO-214AB (SMC)
SMDJ26AH ●	Unidirectional	3000	28.9	31.9	26	1	175	DO-214AB (SMC)

Part Number	Configuration	P <sub>PK</sub> (W)	Breakdown Voltage		VWM(V)	I <sub>R</sub> (μA)	T <sub>J</sub> Max. (°C)	Package Description
			V <sub>BR</sub> Min.(V)	V <sub>BR</sub> Max.(V)				
3KSMC30AH ●	Unidirectional	3000	28.9	31.9	26	3	175	DO-214AB (SMC)
3KSMC33AH ●	Unidirectional	3000	31.1	34.3	28	3	175	DO-214AB (SMC)
SMDJ28A	Unidirectional	3000	31.1	34.4	28	1	175	DO-214AB (SMC)
SMDJ28AH ●	Unidirectional	3000	31.1	34.4	28	1	175	DO-214AB (SMC)
SMDJ30A	Unidirectional	3000	33.3	36.8	30	1	175	DO-214AB (SMC)
SMDJ30AH ●	Unidirectional	3000	33.3	36.8	30	1	175	DO-214AB (SMC)
3KSMC35AH ●	Unidirectional	3000	33.3	36.9	30	3	175	DO-214AB (SMC)
3KSMC39AH ●	Unidirectional	3000	36.7	40.5	33	3	175	DO-214AB (SMC)
SMDJ33A	Unidirectional	3000	36.7	40.6	33	1	175	DO-214AB (SMC)
SMDJ33AH ●	Unidirectional	3000	36.7	40.6	33	1	175	DO-214AB (SMC)
SMDJ36A	Unidirectional	3000	40	44.2	36	1	175	DO-214AB (SMC)
SMDJ36AH ●	Unidirectional	3000	40	44.2	36	1	175	DO-214AB (SMC)
3KSMC42AH ●	Unidirectional	3000	40	44.2	36	3	175	DO-214AB (SMC)
3KSMC47AH ●	Unidirectional	3000	44.4	49	40	3	175	DO-214AB (SMC)
SMDJ40A	Unidirectional	3000	44.4	49.1	40	1	175	DO-214AB (SMC)
SMDJ40AH ●	Unidirectional	3000	44.4	49.1	40	1	175	DO-214AB (SMC)
SMDJ43A	Unidirectional	3000	47.8	52.8	43	1	175	DO-214AB (SMC)
SMDJ43AH ●	Unidirectional	3000	47.8	52.8	43	1	175	DO-214AB (SMC)
SMDJ45A	Unidirectional	3000	50	55.3	45	1	175	DO-214AB (SMC)
SMDJ45AH ●	Unidirectional	3000	50	55.3	45	1	175	DO-214AB (SMC)
SMDJ48A	Unidirectional	3000	53.3	58.9	48	1	175	DO-214AB (SMC)
SMDJ48AH ●	Unidirectional	3000	53.3	58.9	48	1	175	DO-214AB (SMC)
SMDJ51A	Unidirectional	3000	56.7	62.7	51	1	175	DO-214AB (SMC)
SMDJ51AH ●	Unidirectional	3000	56.7	62.7	51	1	175	DO-214AB (SMC)
SMDJ54A	Unidirectional	3000	60	66.3	54	1	175	DO-214AB (SMC)
SMDJ54AH ●	Unidirectional	3000	60	66.3	54	1	175	DO-214AB (SMC)
SMDJ58A	Unidirectional	3000	64.4	71.2	58	1	175	DO-214AB (SMC)

## TVS

(T<sub>A</sub>=25°C unless otherwise noted)

● =AEC-Q qualified

Part Number	Configuration	P <sub>PK</sub> (W)	Breakdown Voltage		VWM(V)	I <sub>R</sub> (μA)	T <sub>J</sub> Max. (°C)	Package Description
			V <sub>BR</sub> Min.(V)	V <sub>BR</sub> Max.(V)				
SMDJ58AH ●	Unidirectional	3000	64.4	71.2	58	1	175	DO-214AB (SMC)
SMDJ60A	Unidirectional	3000	66.7	73.7	60	1	175	DO-214AB (SMC)
SMDJ60AH ●	Unidirectional	3000	66.7	73.7	60	1	175	DO-214AB (SMC)
SMDJ64A	Unidirectional	3000	71.1	78.6	64	1	175	DO-214AB (SMC)
SMDJ64AH ●	Unidirectional	3000	71.1	78.6	64	1	175	DO-214AB (SMC)
SMDJ70A	Unidirectional	3000	77.8	86	70	1	175	DO-214AB (SMC)
SMDJ70AH ●	Unidirectional	3000	77.8	86	70	1	175	DO-214AB (SMC)
SMDJ75A	Unidirectional	3000	83.3	92.1	75	1	175	DO-214AB (SMC)
SMDJ75AH ●	Unidirectional	3000	83.3	92.1	75	1	175	DO-214AB (SMC)
SMDJ78A	Unidirectional	3000	86.7	95.8	78	1	175	DO-214AB (SMC)
SMDJ78AH ●	Unidirectional	3000	86.7	95.8	78	1	175	DO-214AB (SMC)
SMDJ85A	Unidirectional	3000	94.4	104	85	1	175	DO-214AB (SMC)
SMDJ85AH ●	Unidirectional	3000	94.4	104	85	1	175	DO-214AB (SMC)
SMDJ90A	Unidirectional	3000	100	111	90	1	175	DO-214AB (SMC)
SMDJ90AH ●	Unidirectional	3000	100	111	90	1	175	DO-214AB (SMC)
SMDJ100A	Unidirectional	3000	111	123	100	1	175	DO-214AB (SMC)
SMDJ100AH ●	Unidirectional	3000	111	123	100	1	175	DO-214AB (SMC)
TLD5S10AH ●	Unidirectional	3600	11.1	12.3	10	15	175	DO-218AB
TLD5S11AH ●	Unidirectional	3600	12.2	13.5	11	10	175	DO-218AB
TLD5S12AH ●	Unidirectional	3600	13.3	14.7	12	10	175	DO-218AB
TLD5S13AH ●	Unidirectional	3600	14.4	15.9	13	10	175	DO-218AB
TLD5S14AH ●	Unidirectional	3600	15.6	17.2	14	10	175	DO-218AB
TLD5S15AH ●	Unidirectional	3600	16.7	18.5	15	10	175	DO-218AB
TLD5S16AH ●	Unidirectional	3600	17.8	19.7	16	10	175	DO-218AB
TLD5S17AH ●	Unidirectional	3600	18.9	20.9	17	10	175	DO-218AB
TLD5S18AH ●	Unidirectional	3600	22.0	22.1	18	10	175	DO-218AB
TLD5S20AH ●	Unidirectional	3600	22.2	24.5	20	10	175	DO-218AB

Part Number	Configuration	P <sub>PK</sub> (W)	Breakdown Voltage		VWM(V)	I <sub>R</sub> (μA)	T <sub>J</sub> Max. (°C)	Package Description
			V <sub>BR</sub> Min.(V)	V <sub>BR</sub> Max.(V)				
TLD5S22AH ●	Unidirectional	3600	24.4	26.9	22	10	175	DO-218AB
TLD5S24AH ●	Unidirectional	3600	26.7	29.5	24	10	175	DO-218AB
TLD5S26AH ●	Unidirectional	3600	28.9	31.9	26	10	175	DO-218AB
TLD5S28AH ●	Unidirectional	3600	31.1	34.4	28	10	175	DO-218AB
TLD5S30AH ●	Unidirectional	3600	33.3	36.8	30	10	175	DO-218AB
TLD5S33AH ●	Unidirectional	3600	36.7	40.6	33	10	175	DO-218AB
TLD5S36AH ●	Unidirectional	3600	44.0	44.2	36	10	175	DO-218AB
TLD5S40AH ●	Unidirectional	3600	44.4	49.1	40	10	175	DO-218AB
TLD5S43AH ●	Unidirectional	3600	47.8	52.8	43	10	175	DO-218AB
TLD6S10AH ●	Unidirectional	4600	11.1	12.3	10	15	175	DO-218AB
TLD6S11AH ●	Unidirectional	4600	12.2	13.5	11	10	175	DO-218AB
TLD6S12AH ●	Unidirectional	4600	13.3	14.7	12	10	175	DO-218AB
TLD6S13AH ●	Unidirectional	4600	14.4	15.9	13	10	175	DO-218AB
TLD6S14AH ●	Unidirectional	4600	15.6	17.2	14	10	175	DO-218AB
TLD6S15AH ●	Unidirectional	4600	16.7	18.5	15	10	175	DO-218AB
TLD6S16AH ●	Unidirectional	4600	17.8	19.7	16	10	175	DO-218AB
TLD6S17AH ●	Unidirectional	4600	18.9	20.9	17	10	175	DO-218AB
TLD6S18AH ●	Unidirectional	4600	20	22.1	18	10	175	DO-218AB
TLD6S20AH ●	Unidirectional	4600	22.2	24.5	20	10	175	DO-218AB
TLD6S22AH ●	Unidirectional	4600	24.4	26.9	22	10	175	DO-218AB
TLD6S24AH ●	Unidirectional	4600	26.7	29.5	24	10	175	DO-218AB
TLD6S26AH ●	Unidirectional	4600	28.9	31.9	26	10	175	DO-218AB
TLD6S28AH ●	Unidirectional	4600	31.1	34.4	28	10	175	DO-218AB
TLD6S30AH ●	Unidirectional	4600	33.3	36.8	30	10	175	DO-218AB
TLD6S33AH ●	Unidirectional	4600	36.7	40.6	33	10	175	DO-218AB
TLD6S36AH ●	Unidirectional	4600	40	44.2	36	10	175	DO-218AB
TLD6S40AH ●	Unidirectional	4600	44.4	49.1	40	10	175	DO-218AB

## TVS

(T<sub>A</sub>=25°C unless otherwise noted)

● =AEC-Q qualified

Part Number	Configuration	P <sub>PK</sub> (W)	Breakdown Voltage		VWM(V)	I <sub>R</sub> (μA)	T <sub>j</sub> Max. (°C)	Package Description
			V <sub>BR</sub> Min.(V)	V <sub>BR</sub> Max.(V)				
TLD6S43AH ●	Unidirectional	4600	47.8	52.8	43	10	175	DO-218AB
5KSMC10AH ●	Unidirectional	5000	11.4	12.6	10	5	175	DO-214AB (SMC)
5KSMC13AH ●	Unidirectional	5000	14.3	15.8	13	3	175	DO-214AB (SMC)
5KSMC15AH ●	Unidirectional	5000	16.7	18.5	15	3	175	DO-214AB (SMC)
5KSMC16AH ●	Unidirectional	5000	17.8	19.6	16	3	175	DO-214AB (SMC)
5KSMC18AH ●	Unidirectional	5000	20	22.2	18	3	175	DO-214AB (SMC)
5KSMC20AH ●	Unidirectional	5000	22.2	24.6	20	3	175	DO-214AB (SMC)
5KSMC22AH ●	Unidirectional	5000	24.4	27	22	3	175	DO-214AB (SMC)
5KSMC24AH ●	Unidirectional	5000	26.7	29.5	24	3	175	DO-214AB (SMC)
5KSMC26AH ●	Unidirectional	5000	28.9	31.9	26	3	175	DO-214AB (SMC)
5KSMC28AH ●	Unidirectional	5000	31.1	34.3	28	3	175	DO-214AB (SMC)
5KSMC30AH ●	Unidirectional	5000	33.3	36.9	30	3	175	DO-214AB (SMC)
5KSMC33AH ●	Unidirectional	5000	36.7	40.5	33	3	175	DO-214AB (SMC)
5KSMC36AH ●	Unidirectional	5000	40	44.2	36	3	175	DO-214AB (SMC)
5KSMC40AH ●	Unidirectional	5000	44.4	49	40	3	175	DO-214AB (SMC)
5.0SMDJ90A	Unidirectional	5000	v100	111	90	2	175	DO-214AB (SMC)
5.0SMDJ90AH ●	Unidirectional	5000	100	111	90	2	175	DO-214AB (SMC)
5.0SMDJ100A	Unidirectional	5000	111	123	100	2	175	DO-214AB (SMC)
5.0SMDJ100AH ●	Unidirectional	5000	111	123	100	2	175	DO-214AB (SMC)
5.0SMDJ16A	Unidirectional	5000	17.8	19.7	16	50	175	DO-214AB (SMC)
5.0SMDJ16AH ●	Unidirectional	5000	17.8	19.7	16	50	175	DO-214AB (SMC)
5.0SMDJ17A	Unidirectional	5000	18.9	20.9	17	20	175	DO-214AB (SMC)
5.0SMDJ17AH ●	Unidirectional	5000	18.9	20.9	17	20	175	DO-214AB (SMC)
5.0SMDJ18A	Unidirectional	5000	20.0	22.1	18	10	175	DO-214AB (SMC)
5.0SMDJ18AH ●	Unidirectional	5000	20.0	22.1	18	10	175	DO-214AB (SMC)
5.0SMDJ20A	Unidirectional	5000	22.2	24.5	20	5	175	DO-214AB (SMC)
5.0SMDJ20AH ●	Unidirectional	5000	22.2	24.5	20	5	175	DO-214AB (SMC)

Part Number	Configuration	P <sub>PK</sub> (W)	Breakdown Voltage		VWM(V)	I <sub>R</sub> (μA)	T <sub>j</sub> Max. (°C)	Package Description
			V <sub>BR</sub> Min.(V)	V <sub>BR</sub> Max.(V)				
5.0SMDJ22A	Unidirectional	5000	24.4	26.9	22	5	175	DO-214AB (SMC)
5.0SMDJ22AH ●	Unidirectional	5000	24.4	26.9	22	5	175	DO-214AB (SMC)
5.0SMDJ24A	Unidirectional	5000	26.7	29.5	24	2	175	DO-214AB (SMC)
5.0SMDJ24AH ●	Unidirectional	5000	26.7	29.5	24	2	175	DO-214AB (SMC)
5.0SMDJ26A	Unidirectional	5000	28.9	31.9	26	2	175	DO-214AB (SMC)
5.0SMDJ26AH ●	Unidirectional	5000	28.9	31.9	26	2	175	DO-214AB (SMC)
5.0SMDJ28A	Unidirectional	5000	31.1	34.4	28	2	175	DO-214AB (SMC)
5.0SMDJ28AH ●	Unidirectional	5000	31.1	34.4	28	2	175	DO-214AB (SMC)
5.0SMDJ30A	Unidirectional	5000	33.3	36.8	30	2	175	DO-214AB (SMC)
5.0SMDJ30AH ●	Unidirectional	5000	33.3	36.8	30	2	175	DO-214AB (SMC)
5.0SMDJ33A	Unidirectional	5000	36.7	40.6	33	2	175	DO-214AB (SMC)
5.0SMDJ33AH ●	Unidirectional	5000	36.7	40.6	33	2	175	DO-214AB (SMC)
5.0SMDJ36A	Unidirectional	5000	40.0	44.2	36	2	175	DO-214AB (SMC)
5.0SMDJ36AH ●	Unidirectional	5000	40.0	44.2	36	2	175	DO-214AB (SMC)
5.0SMDJ40A	Unidirectional	5000	44.4	49.1	40	2	175	DO-214AB (SMC)
5.0SMDJ40AH ●	Unidirectional	5000	44.4	49.1	40	2	175	DO-214AB (SMC)
5.0SMDJ43A	Unidirectional	5000	47.8	52.8	43	2	175	DO-214AB (SMC)
5.0SMDJ43AH ●	Unidirectional	5000	47.8	52.8	43	2	175	DO-214AB (SMC)
5.0SMDJ45A	Unidirectional	5000	50.0	55.3	45	2	175	DO-214AB (SMC)
5.0SMDJ45AH ●	Unidirectional	5000	50.0	55.3	45	2	175	DO-214AB (SMC)
5.0SMDJ48A	Unidirectional	5000	53.3	58.9	48	2	175	DO-214AB (SMC)
5.0SMDJ48AH ●	Unidirectional	5000	53.3	58.9	48	2	175	DO-214AB (SMC)
5.0SMDJ51A	Unidirectional	5000	56.7	62.7	51	2	175	DO-214AB (SMC)
5.0SMDJ51AH ●	Unidirectional	5000	56.7	62.7	51	2	175	DO-214AB (SMC)
5.0SMDJ54A	Unidirectional	5000	60.0	66.3	54	2	175	DO-214AB (SMC)
5.0SMDJ54AH ●	Unidirectional	5000	60.0	66.3	54	2	175	DO-214AB (SMC)

## TVS

(T<sub>A</sub>=25°C unless otherwise noted)

● =AEC-Q qualified

Part Number	Configuration	P <sub>PK</sub> (W)	Breakdown Voltage		VWM(V)	I <sub>R</sub> (μA)	T <sub>j</sub> Max. (°C)	Package Description
			V <sub>BR</sub> Min.(V)	V <sub>BR</sub> Max.(V)				
5.0SMDJ58A	Unidirectional	5000	64.4	71.2	58	2	175	DO-214AB (SMC)
5.0SMDJ58AH ●	Unidirectional	5000	64.4	71.2	58	2	175	DO-214AB (SMC)
5.0SMDJ60A	Unidirectional	5000	66.7	73.7	60	2	175	DO-214AB (SMC)
5.0SMDJ60AH ●	Unidirectional	5000	66.7	73.7	60	2	175	DO-214AB (SMC)
5.0SMDJ64A	Unidirectional	5000	71.1	78.6	64	2	175	DO-214AB (SMC)
5.0SMDJ64AH ●	Unidirectional	5000	71.1	78.6	64	2	175	DO-214AB (SMC)
5.0SMDJ70A	Unidirectional	5000	77.8	86.0	70	2	175	DO-214AB (SMC)
5.0SMDJ70AH ●	Unidirectional	5000	77.8	86.0	70	2	175	DO-214AB (SMC)
5.0SMDJ75A	Unidirectional	5000	83.3	92.1	75	2	175	DO-214AB (SMC)
5.0SMDJ75AH ●	Unidirectional	5000	83.3	92.1	75	2	175	DO-214AB (SMC)
5.0SMDJ78A	Unidirectional	5000	86.7	95.8	78	2	175	DO-214AB (SMC)
5.0SMDJ78AH ●	Unidirectional	5000	86.7	95.8	78	2	175	DO-214AB (SMC)
5.0SMDJ85A	Unidirectional	5000	94.4	104	85	2	175	DO-214AB (SMC)
5.0SMDJ85AH ●	Unidirectional	5000	94.4	104	85	2	175	DO-214AB (SMC)
TLD8S10AH ●	Unidirectional	6600	11.1	12.3	10	15	175	DO-218AB
TLD8S11AH ●	Unidirectional	6600	12.2	13.5	11	10	175	DO-218AB
TLD8S12AH ●	Unidirectional	6600	13.3	14.7	12	10	175	DO-218AB
TLD8S13AH ●	Unidirectional	6600	14.4	15.9	13	10	175	DO-218AB
TLD8S14AH ●	Unidirectional	6600	15.6	17.2	14	10	175	DO-218AB
TLD8S15AH ●	Unidirectional	6600	16.7	18.5	15	10	175	DO-218AB
TLD8S16AH ●	Unidirectional	6600	17.8	19.7	16	10	175	DO-218AB
TLD8S17AH ●	Unidirectional	6600	18.9	20.9	17	10	175	DO-218AB
TLD8S18AH ●	Unidirectional	6600	20	22.1	18	10	175	DO-218AB
TLD8S20AH ●	Unidirectional	6600	22.2	24.5	20	10	175	DO-218AB
TLD8S22AH ●	Unidirectional	6600	24.4	26.9	22	10	175	DO-218AB
TLD8S24AH ●	Unidirectional	6600	26.7	29.5	24	10	175	DO-218AB

Part Number	Configuration	P <sub>PK</sub> (W)	Breakdown Voltage		VWM(V)	I <sub>R</sub> (μA)	T <sub>j</sub> Max. (°C)	Package Description
			V <sub>BR</sub> Min.(V)	V <sub>BR</sub> Max.(V)				
TLD8S26AH ●	Unidirectional	6600	28.9	31.9	26	10	175	DO-218AB
TLD8S28AH ●	Unidirectional	6600	31.1	34.4	28	10	175	DO-218AB
TLD8S30AH ●	Unidirectional	6600	33.3	36.8	30	10	175	DO-218AB
TLD8S33AH ●	Unidirectional	6600	36.7	40.6	33	10	175	DO-218AB
TLD8S36AH ●	Unidirectional	6600	40	44.2	36	10	175	DO-218AB
TLD8S40AH ●	Unidirectional	6600	44.4	49.1	40	10	175	DO-218AB
TLD8S43AH ●	Unidirectional	6600	47.8	52.8	43	10	175	DO-218AB

# ESD PROTECTION

(T<sub>A</sub>=25°C unless otherwise noted)

Part Number	Configuration	P <sub>PK</sub>	V <sub>WM</sub>	V <sub>BR</sub> (Min.)	I <sub>R</sub>	V <sub>C</sub> @ I <sub>PPM</sub>	I <sub>PPM</sub>	C <sub>J</sub>	T <sub>J</sub> Max.	No. of Channels	Package Description
		(W)	(V)	(V)	(μA)	(V)	(A)	(pF)	(°C)		
TESDU12V	Bidirectional	25	12	13	2	25	1	12	150	1	0603
TESDH3V3B03P1Q0	Bidirectional	40	3.3	6.5	0.05	10.5	4	0.2	125	1	DFN0603-2L
TESDU24V	Bidirectional	47	24	25	2	47	1	10	150	1	0603
TESDL3V3B23P1Q0	Bidirectional	70	3.3	4	0.1	8.5	8.2	17	150	1	DFN0603-2L
TESDU5V0	Bidirectional	75	5	5.1	2	15	5	15	150	1	0603
TESDL5V0B20P1M5	Bidirectional	84	5	6	0.1	14	6	12.7	150	1	SOD-523F
TESD5V0L1UC	Bidirectional	100	5	6	0.1	15	3	2	150	1	DFN1006L
TESDH5V0B03P1Q0	Bidirectional	100	5	6.5	0.05	22	4.5	0.2	125	1	DFN0603-2L
TESDL5V0B45P1M3	Bidirectional	130	5	5.5	0.1	14	12	45	150	1	SOD-323
TESD24VS2BT	Bidirectional	200	24	25.4	0.05	70	3	11	150	2	SOT-23
TESDH3V3B02P4Q2	Bidirectional	33	3.3	9	0.1	6	5.5	0.21	125	4	DFN2510-10L
TESDH5V0B05P1Q1	Bidirectional	46	5	7	0.05	8.5	5.5	0.4	125	1	DFN1006-2L
TESDL5V0B12P1Q0	Bidirectional	70	5	5.1	1	12	6	9	125	1	DFN0603-2L
TESDH5V0U04P2Q1	Unidirectional	60	5	7	0.1	15	4	0.65	125	2	DFN1006-3L
TESD5V0V4UCX6	Unidirectional	75	5	6	0.1	15	5	0.6	150	4	SOT-26
TESD5V0V4UA	Unidirectional	95	5	6	1	19	5	0.8	125	4	2510P10
TESD5V0V4UCU6	Unidirectional	150	5	6	3	25	6	3	150	4	SOT-363
TESDL3V3U1051M5	Unidirectional	158	3.3	5	0.05	14.1	11.2	116	150	1	SOD-523F

## AUTOMOTIVE MOSFET

(T<sub>A</sub>=25°C unless otherwise noted)

● =AEC-Q qualified

Part Number	Configuration	Technology	Type	V <sub>DS</sub> (V)	V <sub>GS</sub> ± (V)	I <sub>D</sub> Max. (A)	V <sub>GS(th)</sub>		R <sub>DS(ON)</sub>				Q <sub>g</sub> (nC)		T <sub>J</sub> Max. (°C)	Package
							Min. (V)	Max. (V)	@ 10V		@ 4.5V		@ 10V	@ 4.5V		
									Typ. (mΩ)	Max. (mΩ)	Typ. (mΩ)	Max. (mΩ)				
TQM076NH04LDCR ●	Dual	PerFET™	N-Channel	40	16	40	1.4	2.2	6.1	7.6	7.7	10.6	22.4	10.7	175	PDFN56U Dual
TQM076NH04DCR ●	Dual	PerFET™	N-Channel	40	20	40	2.4	3.6	6.5	7.6			19		175	PDFN56U Dual
TQM150NB04DCR ●	Dual	Trench	N-Channel	40	20	39	1.8	4	10.3	15			18		175	PDFN56U Dual
TQM110NB04DCR ●	Dual	Trench	N-Channel	40	20	50	1.8	3.8	8	11			26		175	PDFN56U Dual
TQM300NB06DCR ●	Dual	Trench	N-Channel	60	20	25	1.8	3.8	25	30			20		175	PDFN56U Dual
TQM250NB06DCR ●	Dual	Trench	N-Channel	60	20	30	1.8	3.8	21	25			24		175	PDFN56U Dual
TQM043NH04LCR ●	Single	PerFET™	N-Channel	40	16	54	1.4	2.2	2.9	4.3	3.7	6	42	20	175	PDFN56U
TQM056NH04LCR ●	Single	PerFET™	N-Channel	40	16	54	1.4	2.2	4	5.6	5.3	7.8	30.4	14.2	175	PDFN56U
TQM070NH04LCR ●	Single	PerFET™	N-Channel	40	16	54	1.4	2.2	5.6	7	7.5	9.8	23	11	175	PDFN56U
TQM032NH04LCR ●	Single	PPerFET™	N-Channel	40	16	81	1.4	2.2	2.5	3.2	3.2	4.5	50	23.7	175	PDFN56U
TQM019NH04LCR ●	Single	PerFET™	N-Channel	40	16	100	1.4	2.2	1.3	1.9	1.6	2.7	104	49	175	PDFN56U
TQM025NH04LCR ●	Single	PerFET™	N-Channel	40	16	100	1.4	2.2	1.8	2.5	2.3	3.5	63.3	29.5	175	PDFN56U
TQM043NH04CR ●	Single	PerFET™	N-Channel	40	20	54	2.4	3.6	3.1	4.3			37		175	PDFN56U
TQM056NH04CR ●	Single	PerFET™	N-Channel	40	20	54	2.4	3.6	4.3	5.6			27.3		175	PDFN56U
TQM070NH04CR ●	Single	PerFET™	N-Channel	40	20	54	2.4	3.6	5.8	7			19		175	PDFN56U
TQM032NH04CR ●	Single	PerFET™	N-Channel	40	20	81	2.4	3.6	2.7	3.2			45		175	PDFN56U
TQM019NH04CR ●	Single	PerFET™	N-Channel	40	20	100	2.4	3.6	1.3	1.9			89		175	PDFN56U
TQM025NH04CR ●	Single	PerFET™	N-Channel	40	20	100	2.4	3.6	1.8	2.5			59		175	PDFN56U
TQM150NB04CR ●	Single	Trench	N-Channel	40	20	41	1.8	3.8	9	15			20		175	PDFN56U
TQM110NB04CR ●	Single	Trench	N-Channel	40	20	54	1.8	3.8	7.2	11			25		175	PDFN56U
TQM070NB04CR ●	Single	Trench	N-Channel	40	20	75	1.8	3.8	4.5	7			42		175	PDFN56U
TQM033NB04CR ●	Single	Trench	N-Channel	40	20	121	1.8	3.8	2.2	3.3			87		175	PDFN56U
TQM025NB04CR ●	Single	Trench	N-Channel	40	20	157	1.8	3.8	1.8	2.5			118		175	PDFN56U
TQM300NB06CR ●	Single	Trench	N-Channel	60	20	27	1.8	3.8	25	30			20		175	PDFN56U
TQM250NB06CR ●	Single	Trench	N-Channel	60	20	32	1.8	3.8	19	25			24		175	PDFN56U
TQM130NB06CR ●	Single	Trench	N-Channel	60	20	50	1.8	3.8	11.7	13			40		175	PDFN56U
TQM050NB06CR ●	Single	Trench	N-Channel	60	20	104	1.8	3.8	4.3	5			114		175	PDFN56U

# N-CHANNEL LOW VOLTAGE MOSFETS (<250V)

(T<sub>A</sub>=25°C unless otherwise noted)

Part Number	Configuration	Technology	Type	V <sub>DS</sub> (V)	V <sub>GS</sub> ± (V)	I <sub>b</sub> Max. (A)	V <sub>GS(th)</sub>		R <sub>DS(ON)</sub>								Q <sub>g</sub> (nC)		T <sub>j</sub> Max. (°C)	Package
							Min. (V)	Max. (V)	@ 10V		@ 4.5V		@ 2.5V		@ 1.8V		@ 10V	@ 4.5V		
									Typ. (mΩ)	Max. (mΩ)	Typ. (mΩ)	Max. (mΩ)	Typ. (mΩ)	Max. (mΩ)	Typ. (mΩ)	Max. (mΩ)				
TSM4806CS	Single	Trench	N-Channel	20	8	28	0.3	1			16	20	20	25	25	31		12.3	150	SOP-8
TSM250N02CX	Single	Trench	N-Channel	20	10	5.8	0.4	0.8			20	25	27	35	39	55		7.7	150	SOT-23
TSM250N02DCQ	Dual	Trench	N-Channel	20	10	5.8	0.4	0.8			20	25	27	35	39	55		7.7	150	TDFN 2x2
TSM076NH04LDCR	Dual	PerFET™	N-Channel	40	16	34	1.4	2.2	6.1	7.6	7.7	10.6					22.4	10.7	175	PDFN56U Dual
TSM076NH04DCR	Dual	PerFET™	N-Channel	40	20	34	2.4	3.6	6.5	7.6							19		175	PDFN56U Dual
TSM200N03DPQ33	Dual	Trench	N-Channel	30	20	20	1.2	2.5	17	20	23	30						4.1	150	PDFN33 Dual
TSM4946DCS	Dual	Trench	N-Channel	60	20	4.5	1	3	45	55	55	75					18	10.5	150	SOP-8
TSM5055DCR (Q1)	Dual	Trench	N-Channel	30	20	38	1.2	2.5	8.8	11.7	12.8	14.9					9.3	4.6	150	PDFN56 Asymmetric Dual
TSM085NB03DCR	Dual	Trench	N-Channel	30	20	51	1.3	2.5	6.5	8.5	11	15					20	10	150	PDFN56 Dual
TSM5055DCR (Q2)	Dual	Trench	N-Channel	30	20	107	1.2	2.5	2.7	3.6	3.7	5.5					49	25	150	PDFN56 Asymmetric Dual
TSM150NB04LDCR	Dual	Trench	N-Channel	40	20	37	1	2.5	10	15	14	19					18	9	150	PDFN56 Dual
TSM150NB04DCR	Dual	Trench	N-Channel	40	20	38	2	4	11	15							18		150	PDFN56 Dual
TSM110NB04LDCR	Dual	Trench	N-Channel	40	20	48	1	2.5	8	11	11	16					23	12	150	PDFN56 Dual
TSM110NB04DCR	Dual	Trench	N-Channel	40	20	48	2	4	8.5	11							25		150	PDFN56 Dual
TSM300NB06LDCR	Dual	Trench	N-Channel	60	20	24	1.2	2.5	25	30	29	39					17	9	150	PDFN56 Dual
TSM300NB06DCR	Dual	Trench	N-Channel	60	20	25	2.5	4.5	25	30							17		150	PDFN56 Dual
TSM250NB06LDCR	Dual	Trench	N-Channel	60	20	29	1	2.5	19	25	23	28					23	12	150	PDFN56 Dual
TSM250NB06DCR	Dual	Trench	N-Channel	60	20	30	2	4	21	25							22		150	PDFN56 Dual
TSM043NH04LCR	Single	PerFET™	N-Channel	40	16	54	1.4	2.2	2.9	4.3	3.7	6					42	20	175	PDFN56U
TSM056NH04LCR	Single	PerFET™	N-Channel	40	16	54	1.4	2.2	4	5.6	5.3	7.8					30.4	14.2	175	PDFN56U
TSM056NH04LCV	Single	PerFET™	N-Channel	40	16	54	1.4	2.2	4.3	5.6	5.5	7.8					33	16	150	PDFN33
TSM070NH04LCR	Single	PerFET™	N-Channel	40	16	54	1.4	2.2	5.6	7	7.5	9.8					23	11	175	PDFN56U
TSM070NH04LCV	Single	PerFET™	N-Channel	40	16	54	1.4	2.2	5.9	7	7.7	9.8					24	11	150	PDFN33
TSM032NH04LCR	Single	PerFET™	N-Channel	40	16	81	1.4	2.2	2.5	3.2	3.2	4.5					50	23.7	175	PDFN56U
TSM019NH04LCR	Single	PerFET™	N-Channel	40	16	100	1.4	2.2	1.3	1.9	1.6	2.7					104	49	175	PDFN56U
TSM025NH04LCR	Single	PerFET™	N-Channel	40	16	100	1.4	2.2	1.8	2.5	2.3	3.5					63.3	29.5	175	PDFN56U



# N-CHANNEL LOW VOLTAGE MOSFETS (<250V)

(T<sub>A</sub>=25°C unless otherwise noted)

Part Number	Configuration	Technology	Type	V <sub>DS</sub> (V)	V <sub>GS</sub> ± (V)	I <sub>D</sub> Max. (A)	V <sub>GS(th)</sub>		R <sub>DS(ON)</sub>								Q <sub>g</sub> (nC)		T <sub>J</sub> Max. (°C)	Package
							Min. (V)	Max. (V)	@ 10V		@ 4.5V		@ 2.5V		@ 1.8V		@ 10V	@ 4.5V		
									Typ. (mΩ)	Max. (mΩ)	Typ. (mΩ)	Max. (mΩ)	Typ. (mΩ)	Max. (mΩ)	Typ. (mΩ)	Max. (mΩ)				
TSM043NH04CR	Single	PerFET™	N-Channel	40	20	54	2.4	3.6	3.1	4.3							37		175	PDFN56U
TSM056NH04CR	Single	PerFET™	N-Channel	40	20	54	2.4	3.6	4.3	5.6							27.3		175	PDFN56U
TSM056NH04CV	Single	PerFET™	N-Channel	40	20	54	2.4	3.6	4.7	5.6							29		150	PDFN33
TSM070NH04CR	Single	PerFET™	N-Channel	40	20	54	2.4	3.6	5.8	7							19		175	PDFN56U
TSM070NH04CV	Single	PerFET™	N-Channel	40	20	54	2.4	3.6	6.2	7							21		150	PDFN33
TSM032NH04CR	Single	PerFET™	N-Channel	40	20	81	2.4	3.6	2.7	3.2							45		175	PDFN56U
TSM019NH04CR	Single	PerFET™	N-Channel	40	20	100	2.4	3.6	1.3	1.9							89		175	PDFN56U
TSM025NH04CR	Single	PerFET™	N-Channel	40	20	100	2.4	3.6	1.8	2.5							59		175	PDFN56U
TSM210N02CX	Single	Trench	N-Channel	20	10	6.7	0.3	0.8			19	21	22	25	26	32		5.8	150	SOT-23
TSM3446CX6	Single	Trench	N-Channel	20	12	5.3	0.5	1			27	33	33	40				8.8	150	SOT-26
TSM320N03CX	Single	Trench	N-Channel	30	12	5.5	0.4	0.9			27	32	32	40				8.9	150	SOT-23
TSM240N03CX	Single	Trench	N-Channel	30	20	6.5	1.2	2.5	17	24	22	34						4.1	150	SOT-23
TSM240N03CX6	Single	Trench	N-Channel	30	20	6.5	1.2	2.5	17	24	22	34						4.1	150	SOT-26
TSM180N03CS	Single	Trench	N-Channel	30	20	9	1.2	2	16	18	23	28						4.1	150	SOP-8
TSM180N03PQ33	Single	Trench	N-Channel	30	20	25	1.2	2.5	14	18	20	28						4.1	150	PDFN33
TSM042N03CS	Single	Trench	N-Channel	30	20	30	1.2	2.5	3.8	4.2	5.2	6.0						24	150	SOP-8
TSM090N03CP	Single	Trench	N-Channel	30	20	50	1	2.5	7.5	9	10	13						7.5	150	TO-252 (D-PAK)
TSM090N03ECP	Single	Trench	N-Channel	30	20	50	1.2	2.5	7.5	9	9.6	14						7.7	150	TO-252 (D-PAK)
TSM085N03PQ33	Single	Trench	N-Channel	30	20	52	1	2.5	6.2	8.5	9	13					14.3	7.2	150	PDFN33
TSM080N03EPQ56	Single	Trench	N-Channel	30	20	55	1	2.5	6.5	8	9.5	12.5						7.5	150	PDFN56
TSM085NB03CV	Single	Trench	N-Channel	30	20	58	1	2.5	5.4	8.5	10.2	15					20	10	150	PDFN33
TSM060N03PQ33	Single	Trench	N-Channel	30	20	62	1.2	2.5	4.8	6.0	6.7	9.0					25.4	12.9	150	PDFN33
TSM060N03CP	Single	Trench	N-Channel	30	20	70	1	2.5	4.8	6	6.5	9						11.1	150	TO-252 (D-PAK)
TSM060N03ECP	Single	Trench	N-Channel	30	20	70	1.0	2.5	4.8	6	6.5	9						11.1	150	TO-252 (D-PAK)
TSM080N03PQ56	Single	Trench	N-Channel	30	20	73	1	2.5	6.5	8	9.5	12.5					14.4	7.2	150	PDFN56
TSM038N03PQ33	Single	Trench	N-Channel	30	20	78	1.2	2.5	3.0	3.8	4.0	5.5						24	150	PDFN33

# N-CHANNEL LOW VOLTAGE MOSFETS (<250V)

(T<sub>A</sub>=25°C unless otherwise noted)

Part Number	Configuration	Technology	Type	V <sub>DS</sub> (V)	V <sub>GS</sub> ± (V)	I <sub>b</sub> Max. (A)	V <sub>GS(th)</sub> Min. (V)    Max. (V)		R <sub>DS(ON)</sub>								Q <sub>g</sub> (nC)		T <sub>J</sub> Max. (°C)	Package
									@ 10V		@ 4.5V		@ 2.5V		@ 1.8V		@ 10V	@ 4.5V		
									Typ. (mΩ)	Max. (mΩ)	Typ. (mΩ)	Max. (mΩ)	Typ. (mΩ)	Max. (mΩ)	Typ. (mΩ)	Max. (mΩ)				
TSM055N03EPQ56	Single	Trench	N-Channel	30	20	80	1.2	2.5	4.5	5.5	6.3	8.5						11.1	150	PDFN56
TSM055N03PQ56	Single	Trench	N-Channel	30	20	80	1.2	2.5	4.5	5.5	6.3	8.5						11.1	150	PDFN56
TSM040N03CP	Single	Trench	N-Channel	30	20	90	1.2	2.5	3.1	4	4.5	6						24	150	TO-252 (D-PAK)
TSM036N03PQ56	Single	Trench	N-Channel	30	20	124	1.2	2.5	3	3.6	4	5.5					50	25	150	PDFN56
TSM150NB04LCV	Single	Trench	N-Channel	40	20	36	1	2.5	9	15	13	19					19	9	150	PDFN33
TSM110NB04LCV	Single	Trench	N-Channel	40	20	44	1	2.5	7	11	10	16					24	12	150	PDFN33
TSM043NB04LCZ	Single	Trench	N-Channel	40	20	124	1	2.5	3	4.3	4.2	5.3					76	38	150	TO-220
TSM043NB04CZ	Single	Trench	N-Channel	40	20	124	2	4	3.1	4.3							74		150	TO-220
TSM038N04LCP	Single	Trench	N-Channel	40	20	135	1.2	2.5	2.8	3.8	3.4	5					104	53	150	TO-252 (D-PAK)
TSM035NB04LCZ	Single	Trench	N-Channel	40	20	157	1	2.5	2.5	3.5	3.2	4.2					111	56	150	TO-220
TSM035NB04CZ	Single	Trench	N-Channel	40	20	157	2	4	2.5	3.5							110		150	TO-220
TSM850N06CX	Single	Trench	N-Channel	60	20	3	1.2	2.5	68	85	80	100					9.5	4.6	150	SOT-23
TSM900N06CW	Single	Trench	N-Channel	60	20	6	1.2	2.5	71	90	79	126					11		150	SOT-223
TSM4436CS	Single	Trench	N-Channel	60	20	8	1	3	30	36	35	43						10.5	150	SOP-8
TSM900N06CH	Single	Trench	N-Channel	60	20	11	1.2	2.5	76	90	87	100					9.5		150	TO-251S (I-PAK SL)
TSM900N06CP	Single	Trench	N-Channel	60	20	11	1.2	2.5	76	90	87	100					9.5		150	TO-252 (D-PAK)
TSM120N06LCS	Single	Trench	N-Channel	60	20	23	1.2	2.5	10.4	12	11.9	15					37	19	150	SOP-8
TSM300NB06LCV	Single	Trench	N-Channel	60	20	24	1	2.5	24	30	29	39					17	8	150	PDFN33
TSM340N06CH	Single	Trench	N-Channel	60	20	25	1.2	2.5	28	34	33	40					16.6		150	TO-251S (I-PAK SL)
TSM340N06CP	Single	Trench	N-Channel	60	20	25	1.2	2.5	28	34	33	40					16.6		150	TO-252 (D-PAK)
TSM250NB06LCV	Single	Trench	N-Channel	60	20	27	1	2.5	18	25	22	28					23	11	150	PDFN33
TSM250NB06CV	Single	Trench	N-Channel	60	20	28	2	4	19	25							23		150	PDFN33
TSM170N06CH	Single	Trench	N-Channel	60	20	38	1.2	2.5	15	17	17.5	20						15	150	TO-251 (I-PAK)
TSM170N06CP	Single	Trench	N-Channel	60	20	38	1.2	2.5	15	17	17.5	20					28.5	13.5	150	TO-252 (D-PAK)
TSM170N06PQ56	Single	Trench	N-Channel	60	20	44	1.2	2.5	12	17	14	20					29	14	150	PDFN56
TSM230N06CP	Single	Trench	N-Channel	60	20	50	1.2	2.5	20	23	23	28					28		150	TO-252 (D-PAK)

# N-CHANNEL LOW VOLTAGE MOSFETS (<250V)

(T<sub>A</sub>=25°C unless otherwise noted)

Part Number	Configuration	Technology	Type	V <sub>DS</sub> (V)	V <sub>GS</sub> ± (V)	I <sub>D</sub> Max. (A)	V <sub>GS(th)</sub>		R <sub>DS(ON)</sub>								Q <sub>g</sub> (nC)		T <sub>J</sub> Max. (°C)	Package
							Min. (V)	Max. (V)	@ 10V		@ 4.5V		@ 2.5V		@ 1.8V		@ 10V	@ 4.5V		
									Typ. (mΩ)	Max. (mΩ)	Typ. (mΩ)	Max. (mΩ)	Typ. (mΩ)	Max. (mΩ)	Typ. (mΩ)	Max. (mΩ)				
TSM120N06LCP	Single	Trench	N-Channel	60	20	70	1.2	2.5	9.7	12	11	15					37	18	150	TO-252 (D-PAK)
TSM060NB06LCZ	Single	Trench	N-Channel	60	20	111	1	2.5	4.8	6	5.4	7.8					107	52	150	TO-220
TSM060NB06CZ	Single	Trench	N-Channel	60	20	111	2	4	4.7	6							103		150	TO-220
TSM190N08CZ	Single	Trench	N-Channel	75	20	190	2	4	3.4	4.2							160		150	TO-220
TSM089N08LCR	Single	Trench	N-Channel	80	20	67	1	2.5	6.4	8.9	8	11					90	45	150	PDFN56
TSM950N10CW	Single	Trench	N-Channel	100	20	6.5	1.2	2.5	80	95	85	110					9.3		150	SOT-223
TSM900N10CH	Single	Trench	N-Channel	100	20	15	1.2	2.5	72	90	75	100					9.3		150	TO-251S (I-PAK SL)
TSM900N10CP	Single	Trench	N-Channel	100	20	15	1.2	2.5	72	90	75	100					9.3		150	TO-252 (D-PAK)
TSM160N10LCR	Single	Trench	N-Channel	100	20	46	1.2	2.5	14	16	16	20					73	36	150	PDFN56
TSM500N15CS	Single	Trench	N-Channel	150	20	11	2	4	40.6	50							20.5		150	SOP-8
TSM080NB03CR	Single	Trench	N-Channel	30	20	59	1	2.5	5.8	8	10	15					20	10	175	PDFN56
TSM052NB03CR	Single	Trench	N-Channel	30	20	90	1	2.5	3.2	5.2	5	8					41	21	175	PDFN56
TSM018NB03CR	Single	Trench	N-Channel	30	20	194	1	2.5	1.4	1.8	2.1	2.8					120	62	175	PDFN56
TSM150NB04LCR	Single	Trench	N-Channel	40	20	41	1	2.5	9	15	14	19					18	9	175	PDFN56
TSM150NB04CR	Single	Trench	N-Channel	40	20	41	2	4	10	15							19		175	PDFN56
TSM110NB04LCR	Single	Trench	N-Channel	40	20	54	1	2.5	8	11	12	16					23	12	175	PDFN56
TSM110NB04CR	Single	Trench	N-Channel	40	20	54	2	4	7.7	11							23		175	PDFN56
TSM070NB04LCR	Single	Trench	N-Channel	40	20	75	1	2.5	4.4	7	6.4	9.5					39	20	175	PDFN56
TSM070NB04CR	Single	Trench	N-Channel	40	20	75	2	4	4.7	7							40		175	PDFN56
TSM051N04LCP	Single	Trench	N-Channel	40	20	96	1.2	2.5	4.3	5.1	6	7					44.5	22.6	150	TO-252 (D-PAK)
TSM033NB04LCR	Single	Trench	N-Channel	40	20	121	1	2.5	2.3	3.3	3.2	4					79	40	175	PDFN56
TSM033NB04CR	Single	Trench	N-Channel	40	20	121	2	4	2.4	3.3							77		175	PDFN56
TSM025NB04LCR	Single	Trench	N-Channel	40	20	161	1	2.5	1.8	2.5	2.4	3.2					112	57	175	PDFN56
TSM025NB04CR	Single	Trench	N-Channel	40	20	161	2	4	1.8	2.5							113		175	PDFN56
TSM300NB06CR	Single	Trench	N-Channel	60	20	27	2.5	4.5	25	30							18		175	PDFN56
TSM280NB06LCR	Single	Trench	N-Channel	60	20	28	1	2.5	24	28	32	39					18	9	175	PDFN56

## N-CHANNEL LOW VOLTAGE MOSFETS (<250V)

( $T_A=25^\circ\text{C}$  unless otherwise noted)

Part Number	Configuration	Technology	Type	$V_{DS}$ (V)	$V_{GS}$ $\pm$ (V)	$I_D$ Max. (A)	$V_{GS(th)}$ Min. (V)    Max. (V)		$R_{DS(ON)}$								$Q_g$ (nC) @ 10V    @ 4.5V		$T_j$ Max. ( $^\circ\text{C}$ )	Package
									@ 10V		@ 4.5V		@ 2.5V		@ 1.8V					
									Typ. (m $\Omega$ )	Max. (m $\Omega$ )	Typ. (m $\Omega$ )	Max. (m $\Omega$ )	Typ. (m $\Omega$ )	Max. (m $\Omega$ )	Typ. (m $\Omega$ )	Max. (m $\Omega$ )				
TSM220NB06LCR	Single	Trench	N-Channel	60	20	35	1	2.5	18	22	21	28					23	12	175	PDFN56
TSM220NB06CR	Single	Trench	N-Channel	60	20	35	2	4	19	22							23		175	PDFN56
TSM130NB06LCR	Single	Trench	N-Channel	60	20	51	1	2.5	12	13	14	18					37	18	175	PDFN56
TSM130NB06CR	Single	Trench	N-Channel	60	20	51	2	4	11	13							36		175	PDFN56
TSM045NB06CR	Single	Trench	N-Channel	60	20	104	2	4	4.5	5							104		175	PDFN56
TSM048NB06LCR	Single	Trench	N-Channel	60	20	107	1	2.5	4	4.8	4.8	6.8					105	52	175	PDFN56
TSM4800N15CX6	Single	Trench	N-Channel	150	20	1.4	2	3.5	392	480							8		150	SOT-26

# N-CHANNEL HIGH VOLTAGE MOSFETS (>500V)

(T<sub>A</sub>=25°C unless otherwise noted)

Part Number	Configuration	Technology	Type	V <sub>DS</sub> (V)	V <sub>GS</sub> ± (V)	I <sub>D</sub> Max. (A)	V <sub>GS(th)</sub>		R <sub>DS(ON)</sub> @ 10V		Q <sub>s</sub> (nC) @ 10V	T <sub>J</sub> Max. (°C)	Package
							Min. (V)	Max. (V)	Typ. (mΩ)	Max. (mΩ)			
TSM1NB60LCW	Single	Planar	N-Channel	600	30	0.55	0.9	2	11000	15000	7.5	150	SOT-223
TSM1NB60CW	Single	Planar	N-Channel	600	30	0.7	2.5	4.5	9300	10000	7.4	150	SOT-223
TSM1NB60CH	Single	Planar	N-Channel	600	30	1	2.5	4.5	8000	10000	6.1	150	TO-251 (I-PAK)
TSM1NB60CP	Single	Planar	N-Channel	600	30	1	2.5	4.5	8000	10000	6.1	150	TO-252 (D-PAK)
TSM2NB60CH	Single	Planar	N-Channel	600	30	2.3	2.5	4.5	3900	4400	9.9	150	TO-251 (I-PAK)
TSM2NB60CP	Single	Planar	N-Channel	600	30	2.3	2.5	4.5	3900	4400	9.9	150	TO-252 (D-PAK)
TSM4NB60CH	Single	Planar	N-Channel	600	30	4	2.5	4.5	2000	2500	16	150	TO-251 (I-PAK)
TSM4NB60CP	Single	Planar	N-Channel	600	30	4	2.5	4.5	2000	2500	16	150	TO-252 (D-PAK)
TSM4NB60CI	Single	Planar	N-Channel	600	30	4	2.5	4.5	2200	2500	14.5	150	ITO-220
TSM60NC1R5CH	Single	Super Junction	N-Channel	600	20	3	3	5	1300	1500	7.6	150	TO-251 (I-PAK)
TSM60NC1R5CP	Single	Super Junction	N-Channel	600	20	3	3.5	5.5	1300	1500	8.1	150	TO-252 (D-PAK)
TSM60NC980CP	Single	Super Junction	N-Channel	600	20	4	3	5	870	980	11	150	TO-252 (D-PAK)
TSM60NC980CH	Single	Super Junction	N-Channel	600	20	4	3	5	890	980	11	150	TO-251 (I-PAK)
TSM60NC620CI	Single	Super Junction	N-Channel	600	20	7	3	5	560	620	15	150	ITO-220
TSM60NC620CP	Single	Super Junction	N-Channel	600	20	7	3	5	570	620	15	150	TO-252 (D-PAK)
TSM60NC620CH	Single	Super Junction	N-Channel	600	20	7	3	5	580	620	15	150	TO-251 (I-PAK)
TSM60NC390CP	Single	Super Junction	N-Channel	600	20	11	3	5	350	390	21	150	TO-252 (D-PAK)
TSM60NC390CI	Single	Super Junction	N-Channel	600	20	11	3	5	350	390	21.3	150	ITO-220
TSM60NC390CH	Single	Super Junction	N-Channel	600	20	11	3	5	350	390	21.4	150	TO-251 (I-PAK)
TSM60NC196CM2	Single	Super Junction	N-Channel	600	20	28	3	5	182	196	39	150	TO-263-2L (D2PAK-2L)
TSM60NC196CI	Single	Super Junction	N-Channel	600	30	20	3	5	170	196	39	150	ITO-220
TSM60NC165CI	Single	Super Junction	N-Channel	600	30	24	3	5	150	165	44	150	ITO-220

# P-CHANNEL MOSFETS

( $T_A=25^\circ\text{C}$  unless otherwise noted)

Part Number	Configuration	Type	$V_{DS}$ (V)	$V_{GS}$ $\pm$ (V)	$I_b$ Max. (A)	$V_{GS(th)}$ Min. (V) Max. (V)		$R_{DS(on)}$								$Q_g$ (nC) @ 10V @ 4.5V		$T_j$ Max. ( $^\circ\text{C}$ )	Package	
								@ 10V		@ 4.5V		@ 2.5V		@ 1.8V						
								Typ. (m $\Omega$ )	Max. (m $\Omega$ )	Typ. (m $\Omega$ )	Max. (m $\Omega$ )	Typ. (m $\Omega$ )	Max. (m $\Omega$ )	Typ. (m $\Omega$ )	Max. (m $\Omega$ )					
TSM480P06CP	Single	P-Channel	-60	20	-26	-1.2	-2.2	40	48	51	65					24		150	TO-252 (D-PAK)	
TSM480P06CH	Single	P-Channel	-60	20	-20	-1.2	-2.2	39	48	53	65					22.4		150	TO-251S (I-PAK SL)	
TSM680P06CP	Single	P-Channel	-60	20	-14.5	-1.2	-2.2	53	68	67	110					18		150	TO-252 (D-PAK)	
TSM680P06CH	Single	P-Channel	-60	20	-14.5	-1.2	-2.2	53.2	68	67.4	110					18		150	TO-251S (I-PAK SL)	
TSM7P06CP	Single	P-Channel	-60	20	-7	-1.2	-2.5	153	180	198	220					8.2		150	TO-252 (D-PAK)	
TSM2309CX	Single	P-Channel	-60	20	-3.1	-1.2	-2.5	160	190	200	240					8.2		150	SOT-23	
TSM150P04LCS	Single	P-Channel	-40	20	-22	-1	-2.5	11	15	15	21					48	23	150	SOP-8	
TSM650P03CX	Single	P-Channel	-30	12	-4.1	-0.4	-0.9	55	65	65	75	85	100				8		150	SOT-23
TSM085P03CV	Single	P-Channel	-30	20	-64	-1.2	-2.5	7.1	8.5	11	14					55	27	150	PDFN33	
TSM150P03PQ33	Single	P-Channel	-30	20	-36	-1.2	-2.5	13	15	22	30					29.3	14.3	150	PDFN33	
TSM085P03CS	Single	P-Channel	-30	20	-34	-1.2	-2.5	7.7	8.5	11	14					56	28	150	SOP-8	
TSM180P03CS	Single	P-Channel	-30	20	-10	-1.2	-2.5	14	18	23	30						14.6	150	SOP-8	
TSM3481CX6	Single	P-Channel	-30	20	-5.7	-1	-3	38	48	63	79					18.09		150	SOT-26	
TSM3457CX6	Single	P-Channel	-30	20	-5	-1	-3	50	60	82	100					27		150	SOT-26	
TSM600P03CS	Single	P-Channel	-30	20	-4.7	-1.2	-2.5	44	60	73	90						5.1	150	SOP-8	
TSM160P02CS	Single	P-Channel	-20	10	-11	-0.3	-1.0			13	16	16	22	22	28		24	150	SOP-8	
TSM260P02CX6	Single	P-Channel	-20	10	-6.5	-0.3	-1			21	26	26	32	32	40		19.5	150	SOT-26	
TSM260P02CX	Single	P-Channel	-20	10	-6.5	-0.3	-1			21	26	26	32	32	40		19.5	150	SOT-23	
TSM500P02CX	Single	P-Channel	-20	10	-4.7	-0.3	-0.8			42	50	57	65	75	85		9.6	150	SOT-23	
TSM650P02CX	Single	P-Channel	-20	10	-4.1	-0.4	-0.8			52	65	73	85	105	130		6.4	150	SOT-23	
TSM3443CX6	Single	P-Channel	-20	12	-4.7	-0.5	-1.4			48	60	80	100				6	150	SOT-26	

## N AND P-CHANNEL MOSFETS

( $T_A=25^\circ\text{C}$  unless otherwise noted)

Part Number	Configuration	Type	$V_{DS}$ (V)	$V_{GS}$ $\pm$ (V)	$I_b$ Max. (A)	$V_{GS(th)}$ Min. (V) Max. (V)		$R_{DS(on)}$								$Q_g$ (nC)		$T_j$ Max. ( $^\circ\text{C}$ )	Package
								@ 10V		@ 4.5V		@ 2.5V		@ 1.8V		@ 10V	@ 4.5V		
								Typ. (m $\Omega$ )	Max. (m $\Omega$ )	Typ. (m $\Omega$ )	Max. (m $\Omega$ )	Typ. (m $\Omega$ )	Max. (m $\Omega$ )	Typ. (m $\Omega$ )	Max. (m $\Omega$ )				
TSM2538CQ (N)	Complementary	N-Channel	20	10	10	0.4	0.8			27	40	34	47	48	54		7.5	150	TDFN 2x2
TSM2537CQ (N)	Complementary	N-Channel	20	10	13	0.4	0.8			17	30	22	36	32	42		7.3	150	TDFN 2x2
TSM8568CS (N)	Complementary	N-Channel	30	20	15	1	2.5	10	16	13	20					14	7	150	SOP-8
TSM8588CS (N)	Complementary	N-Channel	60	20	5	1.2	2.5	74	103	86	122					9.4	4.4	150	SOP-8
TSM6502CR (N)	Complementary	N-Channel	60	20	24	1.2	2.5	28	34	33	40					20.8	10.3	150	PDFN56 Dual
TSM6502CR (P)	Complementary	P-Channel	-60	20	-18	-1.2	-2.5	57	68	73	110					18.1	9.5	150	PDFN56 Dual
TSM8588CS (P)	Complementary	P-Channel	-60	20	-4	-1	-2.5	135	180	170	220					9	4.6	150	SOP-8
TSM8568CS (P)	Complementary	P-Channel	-30	25	13	-1	-2.5	18	24	30	37					21.5	11	150	SOP-8
TSM2537CQ (P)	Complementary	P-Channel	-20	10	-9.5	-0.4	-0.8			48	55	60	78	78	90		9.3	150	TDFN 2x2
TSM2538CQ (P)	Complementary	P-Channel	-20	10	-8	-0.4	-0.8			47	70	66	100	102	110		9.4	150	TDFN 2x2

## P AND P-CHANNEL MOSFETS

( $T_A=25^\circ\text{C}$  unless otherwise noted)

Part Number	Configuration	Type	$V_{DS}$ (V)	$V_{GS}$ $\pm$ (V)	$I_b$ Max. (A)	$V_{GS(th)}$ Min. (V) Max. (V)		$R_{DS(on)}$								$Q_g$ (nC)		$T_j$ Max. ( $^\circ\text{C}$ )	Package
								@ 10V		@ 4.5V		@ 2.5V		@ 1.8V		@ 10V	@ 4.5V		
								Typ. (m $\Omega$ )	Max. (m $\Omega$ )	Typ. (m $\Omega$ )	Max. (m $\Omega$ )	Typ. (m $\Omega$ )	Max. (m $\Omega$ )	Typ. (m $\Omega$ )	Max. (m $\Omega$ )				
TSM680P06DPQ56	Dual	P-Channel	-60	20	-12	-1.2	-2.5	54	68	90	110					16.4		150	PDFN56 Dual
TSM3911DCX6	Dual	P-Channel	-20	8	-2.2	-0.45	-0.95			115	140	163	200	220	300		15	150	SOT-26
TSM500P02DCQ	Dual	P-Channel	-20	10	-4.7	-0.3	-0.8			42	50	57	65	75	85		9.6	150	TDFN 2x2

# SMALL-SIGNAL MOSFETS

( $T_A=25^\circ\text{C}$  unless otherwise noted)

Part Number	Configuration	Technology	Type	$V_{DS}$ (V)	$V_{GS}$ $\pm$ (V)	$I_D$ Max. (A)	$V_{GS(th)}$ Min. (V)    Max. (V)		$R_{DS(on)}$				$Q_g$ (nC)		$T_j$ Max. ( $^\circ\text{C}$ )	Package
									@ 10V		@ 4.5V		@ 10V	@ 4.5V		
									Typ. (m $\Omega$ )	Max. (m $\Omega$ )	Typ. (m $\Omega$ )	Max. (m $\Omega$ )				
<b>TSM2N7002AKDCU6</b>	Dual	Trench	N-Channel	60	20	0.22	1	2.5	1900	2500	2000	3000		0.67	150	SOT-363
<b>BSS138</b>	Single	Trench	N-Channel	50	20	0.26	0.8	1.6	1100	2500	1200	3000	2	1	150	SOT-23
<b>TSM2N7002AKCU</b>	Single	Trench	N-Channel	60	20	0.24	1	2.5	1900	2500	2000	3000		0.68	150	SOT-323
<b>TSM2N7002AKCX</b>	Single	Trench	N-Channel	60	20	0.3	1	2.5	1900	2500	2000	4000		1.65	150	SOT-23
<b>BSS123W</b>	Single	Trench	N-Channel	100	20	0.16	1	2.5	3600	5000	3800	5500	2	1.1	150	SOT-323
<b>BSS84</b>	Single	Trench	P-Channel	-60	20	-0.15	-0.9	-2	3600	8000	3900	10000	1.9	1	150	SOT-23
<b>BSS84W</b>	Single	Trench	P-Channel	-60	20	-0.14	-0.9	-2	3600	8000	3900	10000	1.9	1	150	SOT-323



# NPN TRANSISTOR

(T<sub>A</sub>=25°C unless otherwise noted)

Part Number	Polarity	V <sub>CEO</sub>	V <sub>CBO</sub>	V <sub>EBO</sub>	I <sub>C</sub>	DC Current Gain (Min.)	DC Current Gain (Max.)	V <sub>CE</sub> (Sat.)	P <sub>D</sub>	T <sub>J</sub> Max.	Package Description
		(V)			(A)	h <sub>FE</sub>		(V)	(W)	(°C)	
BC848A	NPN	30	30	5	0.1	110	220	0.5	0.2	150	SOT-23
BC848AW	NPN	30	30	5	0.1	110	220	0.77	0.2	150	SOT-323
BC849AW	NPN	30	30	5	0.1	110	220	0.77	0.2	150	SOT-323
BC848B	NPN	30	30	5	0.1	200	450	0.5	0.2	150	SOT-23
BC848BW	NPN	30	30	5	0.1	200	450	0.77	0.2	150	SOT-323
BC849BW	NPN	30	30	5	0.1	200	450	0.77	0.2	150	SOT-323
BC848C	NPN	30	30	5	0.1	420	800	0.5	0.2	150	SOT-23
BC848CW	NPN	30	30	5	0.1	420	800	0.77	0.2	150	SOT-323
BC849CW	NPN	30	30	5	0.1	420	800	0.77	0.2	150	SOT-323
MMBT3904T	NPN	40	60	6	0.2	100	300	0.2	0.15	150	SOT-523
MMBT3904	NPN	40	60	6	0.2	100	400	0.3	0.3	150	SOT-23
MMBT2222A	NPN	40	75	6	0.6	50	300	1	0.3	150	SOT-23
BC850AW	NPN	45	50	5	0.1	110	220	0.77	0.2	150	SOT-323
BC850BW	NPN	45	50	5	0.1	200	450	0.77	0.2	150	SOT-323
BC850CW	NPN	45	50	5	0.1	420	800	0.77	0.2	150	SOT-323
BC817-16W	NPN	45	50	5	0.5	100	250	0.7	0.2	150	SOT-323
BC817-16	NPN	45	50	5	0.5	100	250	0.7	0.3	150	SOT-23
BC817-25W	NPN	45	50	5	0.5	160	400	0.7	0.2	150	SOT-323
BC817-25	NPN	45	50	5	0.5	160	400	0.7	0.3	150	SOT-23
BC817-40W	NPN	45	50	5	0.5	250	600	0.7	0.2	150	SOT-323
BC817-40	NPN	45	50	5	0.5	250	600	0.7	0.3	150	SOT-23
BC847A	NPN	45	50	6	0.1	110	220	0.5	0.2	150	SOT-23
BC847AW	NPN	45	50	6	0.1	110	220	0.77	0.2	150	SOT-323
BC847B	NPN	45	50	6	0.1	200	450	0.5	0.2	150	SOT-23
BC847BW	NPN	45	50	6	0.1	200	450	0.77	0.2	150	SOT-323
BC847C	NPN	45	50	6	0.1	420	800	0.5	0.2	150	SOT-23

Part Number	Polarity	V <sub>CEO</sub>	V <sub>CBO</sub>	V <sub>EBO</sub>	I <sub>C</sub>	DC Current Gain (Min.)	DC Current Gain (Max.)	V <sub>CE</sub> (Sat.)	P <sub>D</sub>	T <sub>J</sub> Max.	Package Description
		(V)			(A)	h <sub>FE</sub>		(V)	(W)	(°C)	
BC847CW	NPN	45	50	6	0.1	420	800	0.77	0.2	150	SOT-323
BC846A	NPN	65	80	6	0.1	110	220	0.5	0.2	150	SOT-23
BC846AW	NPN	65	80	6	0.1	110	220	0.77	0.2	150	SOT-323
BC846B	NPN	65	80	6	0.1	200	450	0.5	0.2	150	SOT-23
BC846BW	NPN	65	80	6	0.1	200	450	0.77	0.2	150	SOT-323
BC846CW	NPN	65	80	6	0.1	420	800	0.77	0.2	150	SOT-323
TSC497CX	NPN	300	300	5	0.5	20	300	0.2	0.5	150	SOT-23
TSC966CW	NPN	400	600	7	0.3	100	300	0.5	1	150	SOT-223
TSC873CW	NPN	400	600	9	1	80	-	0.5	1.2	150	SOT-223

# PNP TRANSISTOR

( $T_A=25^\circ\text{C}$  unless otherwise noted)

Part Number	Polarity	$V_{CEO}$	$V_{CBO}$	$V_{EBO}$	$I_C$	DC Current Gain (Min.)	DC Current Gain (Max.)	$V_{CE} \text{ (Sat.)}$	$P_D$	$T_J \text{ Max.}$	Package Description
		(V)			(A)	$h_{FE}$		(V)	(W)	( $^\circ\text{C}$ )	
TSA874CW	PNP	-500	-500	-5	-0.15	100	300	-0.5			SOT-223
TSA884CX	PNP	-500	-500	-5	-0.15	150	300	-0.5	0.3	150	SOT-23
BC856A	PNP	-65	-80	-5	-0.1	125	250	-0.65	0.2	150	SOT-23
BC856B	PNP	-65	-80	-5	-0.1	220	475	-0.65	0.2	150	SOT-23
MMBT2907A	PNP	-60	-60	-5	-0.6	50	100	-0.4	0.35	150	SOT-23
BC807-16W	PNP	-45	-50	-5	-0.5	100	250	-0.7	0.2	150	SOT-323
BC807-16	PNP	-45	-50	-5	-0.5	100	250	-0.7	0.3	150	SOT-23
BC807-25W	PNP	-45	-50	-5	-0.5	160	400	-0.7	0.2	150	SOT-323
BC807-25	PNP	-45	-50	-5	-0.5	160	400	-0.7	0.3	150	SOT-23
BC807-40W	PNP	-45	-50	-5	-0.5	250	600	-0.7	0.2	150	SOT-323
BC807-40	PNP	-45	-50	-5	-0.5	250	600	-0.7	0.3	150	SOT-23
BC857A	PNP	-45	-50	-5	-0.1	125	250	-0.65	0.2	150	SOT-23
BC857B	PNP	-45	-50	-5	-0.1	220	475	-0.65	0.2	150	SOT-23
BC857C	PNP	-45	-50	-5	-0.1	420	800	-0.65	0.2	150	SOT-23
MMBT3906	PNP	-40	-40	-5	-0.2	100	300	-0.4	0.35	150	SOT-23
MMBT3906T	PNP	-40	-40	-5	-0.2	100	300	-0.25	0.15	150	SOT-523
TSB772CP	PNP	-30	-50	-6	-3	100	500	-0.3	1.6	150	TO-252 (D-PAK)
BC858A	PNP	-30	-30	-5	-0.1	125	250	-0.65	0.2	150	SOT-23
BC858B	PNP	-30	-30	-5	-0.1	220	475	-0.65	0.2	150	SOT-23
BC858C	PNP	-30	-30	-5	-0.1	420	800	-0.65	0.2	150	SOT-23

## ZENER DIODE

(T<sub>A</sub>=25°C unless otherwise noted)

Part Number	P <sub>D</sub>	Tolerance	V <sub>Z</sub> @ I <sub>ZT</sub> Nom.	V <sub>Z</sub> @ I <sub>ZT</sub> Min.	V <sub>Z</sub> @ I <sub>ZT</sub> Max.	I <sub>ZT</sub> @ V <sub>Z</sub>	Z <sub>ZT</sub> @ I <sub>ZT</sub>	Z <sub>ZK</sub> @ I <sub>ZK</sub>	I <sub>R</sub> @ V <sub>R</sub>	I <sub>R</sub> @ V <sub>R</sub>	T <sub>J</sub> Max.	Package Description
	(mW)	+/- (%)	(V)	(V)	(V)	(mA)	(Ω)	(mA)	(μA)	(V)	(°C)	
BZX584B27	150	2			2	80	300	0.5	0.1	18.9	150	SOD-523F
BZX584B30	150	2			2	80	300	0.5	0.1	21	150	SOD-523F
BZX584B33	150	2			2	80	325	0.5	0.1	23.1	150	SOD-523F
BZX584B36	150	2			2	90	350	0.5	0.1	25.2	150	SOD-523F
BZX584B39	150	2			2	130	350	0.5	0.1	27.3	150	SOD-523F
BZX584B43	150	2			2	130	350	0.5	0.1	29.4	150	SOD-523F
BZX584B47	150	2			2	170	1000	0.25	0.1	36	150	SOD-523F
BZX584B51	150	2			2	180	1300	0.25	0.1	39	150	SOD-523F
BZX584B56	150	2			2	200	1400	0.25	0.1	43	150	SOD-523F
BZX584B62	150	2			2	225	1400	0.25	0.1	47	150	SOD-523F
BZX584B68	150	2			2	240	1600	0.25	0.1	52	150	SOD-523F
BZX584B75	150	2			2	265	1700	0.25	0.1	56	150	SOD-523F
BZX584B6V2	150	2			5	10	150	1.0	3	4	150	SOD-523F
BZX584B8V2	150	2			5	15	80	1.0	0.7	5	150	SOD-523F
BZX584B7V5	150	2			5	15	80	1.0	1	5	150	SOD-523F
BZX584B6V8	150	2			5	15	80	1.0	2	4	150	SOD-523F
BZX584B9V1	150	2			5	15	100	1.0	0.5	6	150	SOD-523F
BZX584B11	150	2			5	20	150	1.0	0.1	8	150	SOD-523F
BZX584B10	150	2			5	20	150	1.0	0.2	7	150	SOD-523F
BZX584B12	150	2			5	25	150	1.0	0.1	8	150	SOD-523F
BZX584B13	150	2			5	30	170	1.0	0.1	8	150	SOD-523F
BZX584B15	150	2			5	30	200	1.0	0.1	10.5	150	SOD-523F
BZX584B16	150	2			5	40	200	1.0	0.1	11.2	150	SOD-523F
BZX584B5V6	150	2			5	40	400	1.0	1	2	150	SOD-523F
BZX584B18	150	2			5	45	225	1.0	0.1	12.6	150	SOD-523F
BZX584B20	150	2			5	55	225	1.0	0.1	14	150	SOD-523F
BZX584B22	150	2			5	55	250	1.0	0.1	15.4	150	SOD-523F
BZX584B5V1	150	2			5	60	480	1.0	2	2	150	SOD-523F

## ZENER DIODE

 $(T_A = 25^\circ\text{C}$  unless otherwise noted)

Part Number	$P_D$ (mW)	Tolerance +/- (%)	$V_Z @ I_{ZT}$ Nom. (V)	$V_Z @ I_{ZT}$ Min. (V)	$V_Z @ I_{ZT}$ Max. (V)	$I_{ZT} @ V_Z$ (mA)	$Z_{ZT} @ I_{ZT}$ ( $\Omega$ )	$Z_{ZK} @ I_{ZK}$ (mA)	$I_R @ V_R$ ( $\mu\text{A}$ )	$I_R @ V_R$ (V)	$T_J$ Max. ( $^\circ\text{C}$ )	Package Description
BZX584B24	150	2			5	70	250	1.0	0.1	16.8	150	SOD-523F
BZX584B4V7	150	2			5	80	500	1.0	3	2	150	SOD-523F
BZX584B3V9	150	2			5	90	600	1.0	3	1	150	SOD-523F
BZX584B4V3	150	2			5	90	600	1.0	3	1	150	SOD-523F
BZX584B3V6	150	2			5	90	600	1.0	5	1	150	SOD-523F
BZX584B3V3	150	2			5	95	600	1.0	5	1	150	SOD-523F
BZX584B3V0	150	2			5	95	600	1.0	10	1	150	SOD-523F
BZX584B2V7	150	2			5	100	600	1.0	20	1	150	SOD-523F
BZX584B2V4	150	2			5	100	600	1.0	50	1	150	SOD-523F
TSZU52C7V5	150	5			5	7	50	1.00	0.1	5		0603
TSZU52C8V2	150	5			5	7	50	1.00	0.1	6		0603
TSZU52C6V8	150	5			5	8	150	1.00	0.1	3		0603
TSZU52C9V1	150	5			5	10	50	1.00	0.1	7		0603
TSZU52C6V2	150	5			5	10	200	1.00	0.1	2		0603
TSZU52C10	150	5			5	15	70	1.00	0.1	7.5		0603
TSZU52C11	150	5			5	20	70	1.00	0.1	8.5		0603
TSZU52C12	150	5			5	20	90	1.00	0.1	9		0603
TSZU52C13	150	5			5	25	110	1.00	0.1	10		0603
TSZU52C15	150	5			5	30	110	1.00	0.1	11		0603
TSZU52C16	150	5			5	40	170	1.00	0.1	12		0603
TSZU52C5V6	150	5			5	40	400	1.00	0.1	1		0603
TSZU52C18	150	5			5	50	170	1.00	0.1	14		0603
TSZU52C20	150	5			5	50	220	1.00	0.1	15		0603
TSZU52C22	150	5			5	55	220	1.00	0.1	17		0603
TSZU52C5V1	150	5			5	60	480	1.00	0.1	0.8		0603
TSZU52C4V7	150	5			5	78	500	1.00	5	2		0603
TSZU52C24	150	5			5	80	220	1.00	0.1	18		0603
TSZU52C27	150	5			5	80	250	1.00	0.1	20		0603

## ZENER DIODE

 $(T_A = 25^\circ\text{C}$  unless otherwise noted)

Part Number	$P_D$ (mW)	Tolerance +/- (%)	$V_Z @ I_{ZT}$ Nom. (V)	$V_Z @ I_{ZT}$ Min. (V)	$V_Z @ I_{ZT}$ Max. (V)	$I_{ZT} @ V_Z$ (mA)	$Z_{ZT} @ I_{ZT}$ ( $\Omega$ )	$Z_{ZK} @ I_{ZK}$ (mA)	$I_R @ V_R$ ( $\mu\text{A}$ )	$I_R @ V_R$ (V)	$T_J$ Max. ( $^\circ\text{C}$ )	Package Description
TSZU52C30	150	5			5	80	250	1.00	0.1	23		0603
TSZU52C33	150	5			5	80	250	1.00	0.1	25		0603
TSZU52C2V7	150	5			5	83	500	1.00	75	1		0603
TSZU52C2V4	150	5			5	85	600	1.00	100	1		0603
TSZU52C36	150	5			5	90	250	1.00	0.1	27		0603
TSZU52C39	150	5			5	90	300	1.00	0.1	29		0603
TSZU52C4V3	150	5			5	95	500	1.00	5	1		0603
TSZU52C3V9	150	5			5	95	500	1.00	10	1		0603
TSZU52C3V6	150	5			5	95	500	1.00	15	1		0603
TSZU52C3V3	150	5			5	95	500	1.00	25	1		0603
TSZU52C3V0	150	5			5	95	500	1.00	50	1		0603
TSZU52C2V0	150	5			5	100	600	1.00	100	1		0603
TSZU52C2V2	150	5			5	100	600	1.00	100	1		0603
BZT52B2V4S	200	2	2.35	2.45	5	100	564	1.00	45	1	150	SOD-323F
BZT52B2V7S	200	2	2.65	2.75	5	100	564	1.00	18	1	150	SOD-323F
BZT52B3V0S	200	2	2.94	3.06	5	100	564	1.00	9	1	150	SOD-323F
BZT52B3V3S	200	2	3.23	3.37	5	95	564	1.00	4.5	1	150	SOD-323F
BZT52B3V6S	200	2	3.53	3.67	5	90	564	1.00	4.5	1	150	SOD-323F
UDZS3V6B	200	2	3.6	3.85	5	90	600	1.00	4.5	1	150	SOD-323F
BZT52B3V9S	200	2	3.82	3.98	5	90	564	1.00	2.7	1	150	SOD-323F
UDZS3V9B	200	2	3.89	4.16	5	90	600	1.00	2.7	1	150	SOD-323F
UDZS4V3B	200	2	4.17	4.43	5	90	600	1.00	2.7	1	150	SOD-323F
BZT52B4V3S	200	2	4.21	4.39	5	90	564	1.00	2.7	1	150	SOD-323F
UDZS4V7B	200	2	4.55	4.75	5	80	500	1.00	2.7	1	150	SOD-323F
BZT52B4V7S	200	2	4.61	4.79	5	80	470	1.00	2.7	2	150	SOD-323F
UDZS5V1B	200	2	4.98	5.2	5	60	500	1.00	1.8	2	150	SOD-323F
BZT52B5V1S	200	2	5	5.2	5	60	451	1.00	1.8	2	150	SOD-323F
BZT52B5V6S	200	2	5.49	5.71	5	40	376	1.00	0.9	2	150	SOD-323F

## ZENER DIODE

 $(T_A = 25^\circ\text{C}$  unless otherwise noted)

Part Number	$P_D$ (mW)	Tolerance +/- (%)	$V_Z @ I_{ZT}$ Nom. (V)	$V_Z @ I_{ZT}$ Min. (V)	$V_Z @ I_{ZT}$ Max. (V)	$I_{ZT} @ V_Z$ (mA)	$Z_{ZT} @ I_{ZT}$ ( $\Omega$ )	$Z_{ZK} @ I_{ZK}$ (mA)	$I_R @ V_R$ ( $\mu\text{A}$ )	$I_R @ V_R$ (V)	$T_J$ Max. ( $^\circ\text{C}$ )	Package Description
UDZS5V6B	200	2	5.49	5.73	5	40	300	1.00	0.9	3	150	SOD-323F
UDZS6V2B	200	2	6.06	6.33	5	40	150	1.00	2.7	3	150	SOD-323F
BZT52B6V2S	200	2	6.08	6.32	5	10	141	1.00	2.7	4	150	SOD-323F
UDZS6V8B	200	2	6.65	6.93	5	30	75	1.00	1.8	4	150	SOD-323F
BZT52B6V8S	200	2	6.66	6.94	5	15	75	1.00	1.8	4	150	SOD-323F
UDZS7V5B	200	2	7.28	7.6	5	30	75	1.00	0.9	4	150	SOD-323F
BZT52B7V5S	200	2	7.35	7.65	5	15	75	1.00	0.9	5	150	SOD-323F
UDZS8V2B	200	2	8.02	8.36	5	30	75	1.00	0.63	5	150	SOD-323F
BZT52B8V2S	200	2	8.04	8.36	5	15	75	1.00	0.63	5	150	SOD-323F
UDZS9V1B	200	2	8.85	9.23	5	30	90	1.00	0.45	6	150	SOD-323F
BZT52B9V1S	200	2	8.92	9.28	5	15	94	1.00	0.45	6	150	SOD-323F
UDZS10B	200	2	9.77	10.21	5	20	150	1.00	0.18	7	150	SOD-323F
BZT52B10S	200	2	9.8	10.2	5	20	141	1.00	0.18	7	150	SOD-323F
UDZS11B	200	2	10.76	11.22	5	20	150	1.00	0.09	8	150	SOD-323F
BZT52B11S	200	2	10.78	11.22	5	20	141	1.00	0.09	8	150	SOD-323F
UDZS12B	200	2	11.74	12.24	5	20	150	1.00	0.09	9	150	SOD-323F
BZT52B12S	200	2	11.76	12.24	5	25	141	1.00	0.09	8	150	SOD-323F
BZT52B13S	200	2	12.74	13.26	5	30	160	1.00	0.09	8	150	SOD-323F
UDZS13B	200	2	12.91	13.49	5	40	160	1.00	0.045	10	150	SOD-323F
UDZS15B	200	2	14.34		5	40	190	1.00	0.045	11	150	SOD-323F
BZT52B15S	200	2	14.7	15.3	5	30	188	1.00	0.045	10.5	150	SOD-323F
BZT52B16S	200	2	15.68	16.32	5	40	188	1.00	0.045	11.2	150	SOD-323F
UDZS16B	200	2	15.85	16.51	5	40	190	1.00	0.045	12	150	SOD-323F
UDZS18B	200	2	17.56	18.35	5	50	220	1.00	0.045	13	150	SOD-323F
BZT52B18S	200	2	17.64	18.36	5	45	212	1.00	0.045	12.6	150	SOD-323F
UDZS20B	200	2	19.52	20.39	5	60	220	1.00	0.045	15	150	SOD-323F
BZT52B20S	200	2	19.6	20.4	5	55	212	1.00	0.045	14	150	SOD-323F
UDZS22B	200	2	21.54	22.47	5	80	240	1.00	0.045	17	150	SOD-323F

## ZENER DIODE

 $(T_A = 25^\circ\text{C}$  unless otherwise noted)

Part Number	$P_D$ (mW)	Tolerance +/- (%)	$V_Z @ I_{ZT}$ Nom. (V)	$V_Z @ I_{ZT}$ Min. (V)	$V_Z @ I_{ZT}$ Max. (V)	$I_{ZT} @ V_Z$ (mA)	$Z_{ZT} @ I_{ZT}$ ( $\Omega$ )	$Z_{ZK} @ I_{ZK}$ (mA)	$I_R @ V_R$ ( $\mu\text{A}$ )	$I_R @ V_R$ (V)	$T_J$ Max. ( $^\circ\text{C}$ )	Package Description
BZT52B22S	200	2	21.56	22.44	5	55	235	1.00	0.045	15.4	150	SOD-323F
BZT52B24S	200	2	23.52	24.48	5	70	235	1.00	0.045	16.8	150	SOD-323F
UDZS24B	200	2	23.72	24.78	5	80	240	1.00	0.045	19	150	SOD-323F
UDZS27B	200	2	26.19	27.53	5	100	300	0.50	0.045	21	150	SOD-323F
BZT52B27S	200	2	26.46	27.54	2	80	282	0.50	0.045	18.9	150	SOD-323F
UDZS30B	200	2	29.19	30.69	5	100	300	0.50	0.045	23	150	SOD-323F
BZT52B30S	200	2	29.4	30.6	2	80	282	0.50	0.045	21	150	SOD-323F
UDZS33B	200	2	32.15	33.79	5	100	310	0.50	0.045	25	150	SOD-323F
BZT52B33S	200	2	32.34	33.66	2	80	306	0.50	0.045	23	150	SOD-323F
UDZS36B	200	2	35.07	36.87	5	100	330	0.50	0.045	27	150	SOD-323F
BZT52B36S	200	2	35.28	36.72	2	90	329	0.50	0.045	25.2	150	SOD-323F
BZT52B39S	200	2	38.22	39.78	2	130	329	0.50	0.045	27.3	150	SOD-323F
BZT52B43S	200	2	42.14	43.86	2	150	353	0.50	0.045	30.1	150	SOD-323F
BZT52B47S	200	2	46.06	47.94	2	170	353	0.50	0.045	33	150	SOD-323F
BZT52B51S	200	2	49.98	52.02	2	180	376	0.50	0.045	35.7	150	SOD-323F
BZT52B56S	200	2	54.88	57.12	2	200	400	0.50	0.045	39.2	150	SOD-323F
BZT52B62S	200	2	60.76	63.24	2	215	423	0.50	0.045	43.4	150	SOD-323F
BZT52B68S	200	2	66.64	69.36	2	240	447	0.50	0.045	47.6	150	SOD-323F
BZT52B75S	200	2	73.5	76.5	2	255	470	0.50	0.045	52.5	150	SOD-323F
BZX585B27	200	2			2	80	282	0.5	0.045	18.9		SOD-523F
BZX585B30	200	2			2	80	282	0.5	0.045	21		SOD-523F
BZX585B33	200	2			2	80	306	0.5	0.045	23		SOD-523F
BZX585B36	200	2			2	90	329	0.5	0.045	25.2		SOD-523F
BZX585B39	200	2			2	130	329	0.5	0.045	27.3		SOD-523F
BZX585B43	200	2			2	150	353	0.5	0.045	30.1		SOD-523F
BZX585B47	200	2			2	170	353	0.5	0.045	33		SOD-523F
BZX585B51	200	2			2	180	376	0.5	0.045	35.7		SOD-523F
BZX585B6V2	200	2			5	10	141	1	2.7	4		SOD-523F

## ZENER DIODE

 $(T_A = 25^\circ\text{C}$  unless otherwise noted)

Part Number	$P_D$ (mW)	Tolerance +/- (%)	$V_Z @ I_{ZT}$ Nom. (V)	$V_Z @ I_{ZT}$ Min. (V)	$V_Z @ I_{ZT}$ Max. (V)	$I_{ZT} @ V_Z$ (mA)	$Z_{ZT} @ I_{ZT}$ ( $\Omega$ )	$Z_{ZK} @ I_{ZK}$ (mA)	$I_R @ V_R$ ( $\mu\text{A}$ )	$I_R @ V_R$ (V)	$T_J$ Max. ( $^\circ\text{C}$ )	Package Description
BZX585B8V2	200	2			5	15	75	1	0.63	5		SOD-523F
BZX585B7V5	200	2			5	15	75	1	0.9	5		SOD-523F
BZX585B6V8	200	2			5	15	75	1	1.8	4		SOD-523F
BZX585B9V1	200	2			5	15	94	1	0.45	6		SOD-523F
BZX585B11	200	2			5	20	141	1	0.09	8		SOD-523F
BZX585B10	200	2			5	20	141	1	0.18	7		SOD-523F
BZX585B12	200	2			5	25	141	1	0.09	8		SOD-523F
BZX585B13	200	2			5	30	160	1	0.09	8		SOD-523F
BZX585B15	200	2			5	30	188	1	0.045	10.5		SOD-523F
BZX585B16	200	2			5	40	188	1	0.045	11.2		SOD-523F
BZX585B5V6	200	2			5	40	376	1	0.9	2		SOD-523F
BZX585B18	200	2			5	45	212	1	0.045	12.6		SOD-523F
BZX585B20	200	2			5	55	212	1	0.045	14		SOD-523F
BZX585B22	200	2			5	55	235	1	0.045	15.4		SOD-523F
BZX585B5V1	200	2			5	60	451	1	1.8	2		SOD-523F
BZX585B24	200	2			5	70	235	1	0.045	16.8		SOD-523F
BZX585B4V7	200	2			5	80	470	1	2.7	2		SOD-523F
BZX585B3V9	200	2			5	90	564	1	2.7	1		SOD-523F
BZX585B4V3	200	2			5	90	564	1	2.7	1		SOD-523F
BZX585B3V6	200	2			5	90	564	1	4.5	1		SOD-523F
BZX585B3V3	200	2			5	95	564	1	4.5	1		SOD-523F
BZX585B3V0	200	2			5	100	564	1	9	1		SOD-523F
BZX585B2V7	200	2			5	100	564	1	18	1		SOD-523F
BZX585B2V4	200	2			5	100	564	1	45	1		SOD-523F
M3Z2V0C	200	5	1.9	2.1	5	100	600	1	120	1	150	SOD-323F
M3Z2V2C	200	5	2.09	2.31	5	100	600	1	120	1	150	SOD-323F
M3Z2V4C	200	5	2.2	2.6	5	90	600	1	120	1	150	SOD-323F
BZT52C2V4S	200	5	2.28	2.52	5	100	564	1.00	45	1	150	SOD-323F



## ZENER DIODE

 $(T_A = 25^\circ\text{C}$  unless otherwise noted)

Part Number	$P_D$ (mW)	Tolerance +/- (%)	$V_Z @ I_{ZT}$ Nom. (V)	$V_Z @ I_{ZT}$ Min. (V)	$V_Z @ I_{ZT}$ Max. (V)	$I_{ZT} @ V_Z$ (mA)	$Z_{ZT} @ I_{ZT}$ ( $\Omega$ )	$Z_{ZK} @ I_{ZK}$ (mA)	$I_R @ V_R$ ( $\mu\text{A}$ )	$I_R @ V_R$ (V)	$T_J$ Max. ( $^\circ\text{C}$ )	Package Description
M3Z2V7C	200	5	2.5	2.9	5	90	600	1	100	1	150	SOD-323F
BZT52C2V7S	200	5	2.57	2.84	5	100	564	1.00	18	1	150	SOD-323F
M3Z3V0C	200	5	2.8	3.2	5	85	600	1	50	1	150	SOD-323F
BZT52C3V0S	200	5	2.85	3.15	5	100	564	1.00	9	1	150	SOD-323F
M3Z3V3C	200	5	3.1	3.5	5	85	600	1	20	1	150	SOD-323F
BZT52C3V3S	200	5	3.14	3.47	5	95	564	1.00	4.5	1	150	SOD-323F
M3Z3V6C	200	5	3.4	3.8	5	85	600	1	10	1	150	SOD-323F
BZT52C3V6S	200	5	3.42	3.78	5	90	564	1.00	4.5	1	150	SOD-323F
M3Z3V9C	200	5	3.7	4.1	5	85	600	1	5	1	150	SOD-323F
BZT52C3V9S	200	5	3.71	4.1	5	90	564	1.00	2.7	1	150	SOD-323F
M3Z4V3C	200	5	4	4.6	5	80	600	1	5	1	150	SOD-323F
BZT52C4V3S	200	5	4.09	4.52	5	90	564	1.00	2.7	1	150	SOD-323F
M3Z4V7C	200	5	4.4	5	5	70	500	1	2	1	150	SOD-323F
BZT52C4V7S	200	5	4.47	4.94	5	80	470	1.00	2.7	2	150	SOD-323F
M3Z5V1C	200	5	4.8	5.4	5	50	480	1	2	1.5	150	SOD-323F
BZT52C5V1S	200	5	4.85	5.36	5	60	451	1.00	1.8	2	150	SOD-323F
M3Z5V6C	200	5	5.32	5.88	5	30	400	1	1	2	150	SOD-323F
BZT52C5V6S	200	5	5.32	5.88	5	40	376	1.00	0.9	2	150	SOD-323F
BZT52C6V2S	200	5	5.89	6.51	5	10	141	1.00	2.7	4	150	SOD-323F
M3Z6V2C	200	5	5.89	6.51	5	10	150	1	1	3	150	SOD-323F
M3Z6V8C	200	5	6.46	7.14	5	10	80	1	0.5	4	150	SOD-323F
BZT52C6V8S	200	5	6.46	7.14	5	15	75	1.00	1.8	4	150	SOD-323F
M3Z7V5C	200	5	7.11	7.86	5	10	50	1	0.5	5	150	SOD-323F
BZT52C7V5S	200	5	7.11	7.86	5	15	75	1.00	0.9	5	150	SOD-323F
M3Z8V2C	200	5	7.79	8.61	5	10	50	1	0.5	6	150	SOD-323F
BZT52C8V2S	200	5	7.79	8.61	5	15	75	1.00	0.63	5	150	SOD-323F
M3Z9V1C	200	5	8.65	9.56	5	10	50	1	0.5	7	150	SOD-323F
BZT52C9V1S	200	5	8.65	9.56	5	15	94	1.00	0.45	6	150	SOD-323F

## ZENER DIODE

 $(T_A = 25^\circ\text{C}$  unless otherwise noted)

Part Number	$P_D$ (mW)	Tolerance +/- (%)	$V_Z @ I_{ZT}$ Nom. (V)	$V_Z @ I_{ZT}$ Min. (V)	$V_Z @ I_{ZT}$ Max. (V)	$I_{ZT} @ V_Z$ (mA)	$Z_{ZT} @ I_{ZT}$ ( $\Omega$ )	$Z_{ZK} @ I_{ZK}$ (mA)	$I_R @ V_R$ ( $\mu\text{A}$ )	$I_R @ V_R$ (V)	$T_J$ Max. ( $^\circ\text{C}$ )	Package Description
M3Z10VC	200	5	9.5	10.5	5	15	70	1	0.1	7.5	150	SOD-323F
BZT52C10S	200	5	9.5	10.5	5	20	141	1.00	0.18	7	150	SOD-323F
M3Z11VC	200	5	10.45	11.55	5	20	70	1	0.1	8	150	SOD-323F
BZT52C11S	200	5	10.45	11.55	5	20	141	1.00	0.09	8	150	SOD-323F
M3Z12VC	200	5	11.4	12.6	5	20	90	1	0.1	9	150	SOD-323F
BZT52C12S	200	5	11.4	12.6	5	25	141	1.00	0.09	8	150	SOD-323F
M3Z13VC	200	5	12.35	13.65	5	26	110	1	0.1	10	150	SOD-323F
BZT52C13S	200	5	12.35	13.65	5	30	160	1.00	0.09	8	150	SOD-323F
M3Z15VC	200	5	14.25	15.75	5	30	110	1	0.1	11	150	SOD-323F
BZT52C15S	200	5	14.25	15.75	5	30	188	1.00	0.045	10.5	150	SOD-323F
M3Z16VC	200	5	15.2	16.8	5	40	170	1	0.1	12	150	SOD-323F
BZT52C16S	200	5	15.2	16.8	5	40	188	1.00	0.045	11.2	150	SOD-323F
M3Z18VC	200	5	17.1	18.9	5	45	170	1	0.1	14	150	SOD-323F
BZT52C18S	200	5	17.1	18.9	5	45	212	1.00	0.045	12.6	150	SOD-323F
BZT52C20S	200	5	19	21	5	55	212	1.00	0.045	14	150	SOD-323F
M3Z20VC	200	5	19	21	5	55	220	1	0.1	15	150	SOD-323F
M3Z22VC	200	5	20.9	23.1	5	55	220	1	0.1	17	150	SOD-323F
BZT52C22S	200	5	20.9	23.1	5	55	235	1.00	0.045	15.4	150	SOD-323F
M3Z24VC	200	5	22.8	25.2	5	70	220	1	0.1	19	150	SOD-323F
BZT52C24S	200	5	22.8	25.2	5	70	235	1.00	0.045	16.8	150	SOD-323F
BZT52C27S	200	5	25.65	28.35	2	80	282	0.50	0.045	18.9	150	SOD-323F
M3Z27VC	200	5	25.65	28.35	5	80	220	1	0.1	20	150	SOD-323F
BZT52C30S	200	5	28.5	31.5	2	80	282	0.50	0.045	21	150	SOD-323F
M3Z30VC	200	5	28.5	31.5	5	80	220	1	0.1	22	150	SOD-323F
BZT52C33S	200	5	31.35	34.65	2	80	306	0.50	0.045	23	150	SOD-323F
M3Z33VC	200	5	31.35	34.65	5	80	220	1	0.1	24	150	SOD-323F
BZT52C36S	200	5	34.2	37.8	2	90	329	0.50	0.045	25.2	150	SOD-323F
M3Z36VC	200	5	34.2	37.8	5	80	220	1	0.1	27	150	SOD-323F

## ZENER DIODE

 $(T_A = 25^\circ\text{C}$  unless otherwise noted)

Part Number	$P_D$ (mW)	Tolerance +/- (%)	$V_Z @ I_{ZT}$ Nom. (V)	$V_Z @ I_{ZT}$ Min. (V)	$V_Z @ I_{ZT}$ Max. (V)	$I_{ZT} @ V_Z$ (mA)	$Z_{ZT} @ I_{ZT}$ ( $\Omega$ )	$Z_{ZK} @ I_{ZK}$ (mA)	$I_R @ V_R$ ( $\mu\text{A}$ )	$I_R @ V_R$ (V)	$T_J$ Max. ( $^\circ\text{C}$ )	Package Description
BZT52C39S	200	5	37.05	40.95	2	130	329	0.50	0.045	27.3	150	SOD-323F
M3Z39VC	200	5	37.05	40.95	2.5	90	500	0.5	0.1	29	150	SOD-323F
BZT52C43S	200	5	40.85	45.15	2	150	353	0.50	0.045	30.1	150	SOD-323F
M3Z43VC	200	5	40.85	45.15	2.5	90	600	0.5	0.1	32	150	SOD-323F
BZT52C47S	200	5	44.65	49.35	2	170	353	0.50	0.045	33	150	SOD-323F
M3Z47VC	200	5	44.65	49.35	2.5	110	700	0.5	0.1	35	150	SOD-323F
BZT52C51S	200	5	48.45	53.55	2	180	376	0.50	0.045	35.7	150	SOD-323F
M3Z51VC	200	5	48.45	53.55	2.5	125	700	0.5	0.1	38	150	SOD-323F
BZT52C56S	200	5	53.2	58.8	2	200	400	0.50	0.045	39.2	150	SOD-323F
M3Z56VC	200	5	53.2	58.8	2.5	135	1000	0.5	0.1	42	150	SOD-323F
BZT52C62S	200	5	58.9	65.1	2	215	423	0.50	0.045	43.4	150	SOD-323F
M3Z62VC	200	5	58.9	65.1	2.5	150	1000	0.5	0.1	47	150	SOD-323F
M3Z68VC	200	5	64.6	71.4	2.5	200	1000	0.5	0.1	51	150	SOD-323F
BZT52C68S	200	5	64.6	74.4	2	240	447	0.50	0.045	47.6	150	SOD-323F
BZT52C75S	200	5	71.25	78.75	2	255	470	0.50	0.045	52.5	150	SOD-323F
M3Z75VC	200	5	71.25	78.75	2.5	250	1500	0.5	0.1	56	150	SOD-323F
BZT52C43K	200	5			1	150	500	1.00	2	33		SOD-523F
BZT52C47K	200	5			1	170	500	1.00	2	36		SOD-523F
BZT52C51K	200	5			1	180	500	1.00	1	39		SOD-523F
BZT52C56K	200	5			1	200	500	1.00	1	43		SOD-523F
BZT52C62K	200	5			1	215	500	1.00	0.2	47		SOD-523F
BZT52C68K	200	5			1	240	500	1.00	0.2	52		SOD-523F
BZT52C75K	200	5			1	255	500	1.00	0.2	57		SOD-523F
BZT52C16K	200	5			2	40	80	1.00	0.1	12		SOD-523F
BZT52C18K	200	5			2	45	80	1.00	0.1	13		SOD-523F
BZT52C20K	200	5			2	55	100	1.00	0.1	15		SOD-523F
BZT52C22K	200	5			2	55	100	1.00	0.1	17		SOD-523F
BZT52C24K	200	5			2	70	120	1.00	0.1	19		SOD-523F

## ZENER DIODE

 $(T_A = 25^\circ\text{C}$  unless otherwise noted)

Part Number	$P_D$ (mW)	Tolerance +/- (%)	$V_Z @ I_{ZT}$ Nom. (V)	$V_Z @ I_{ZT}$ Min. (V)	$V_Z @ I_{ZT}$ Max. (V)	$I_{ZT} @ V_Z$ (mA)	$Z_{ZT} @ I_{ZT}$ ( $\Omega$ )	$Z_{ZK} @ I_{ZK}$ (mA)	$I_R @ V_R$ ( $\mu\text{A}$ )	$I_R @ V_R$ (V)	$T_J$ Max. ( $^\circ\text{C}$ )	Package Description
BZT52C27K	200	5			2	80	300	1.00	0.1	21		SOD-523F
BZT52C30K	200	5			2	80	300	1.00	0.1	23		SOD-523F
BZT52C33K	200	5			2	80	300	1.00	0.1	25		SOD-523F
BZT52C36K	200	5			2	90	500	1.00	0.1	27		SOD-523F
BZT52C39K	200	5			2	130	500	1.00	2	30		SOD-523F
BZT52C6V2K	200	5			5	10	100	1.00	1	3		SOD-523F
BZT52C6V8K	200	5			5	15	160	1.00	0.5	3.5		SOD-523F
BZT52C7V5K	200	5			5	15	160	1.00	0.5	4		SOD-523F
BZT52C8V2K	200	5			5	15	160	1.00	0.5	5		SOD-523F
BZT52C9V1K	200	5			5	15	160	1.00	0.5	6		SOD-523F
BZT52C10K	200	5			5	20	160	1.00	0.1	7		SOD-523F
BZT52C11K	200	5			5	20	160	1.00	0.1	8		SOD-523F
BZT52C12K	200	5			5	25	80	1.00	0.1	9		SOD-523F
BZT52C13K	200	5			5	30	80	1.00	0.1	10		SOD-523F
BZT52C15K	200	5			5	30	80	1.00	0.1	11		SOD-523F
BZT52C5V6K	200	5			5	40	200	1.00	1	2.5		SOD-523F
BZT52C5V1K	200	5			5	60	500	1.00	2	1.5		SOD-523F
BZT52C4V7K	200	5			5	80	800	1.00	2	1		SOD-523F
BZT52C3V9K	200	5			5	90	1000	1.00	5	1		SOD-523F
BZT52C4V3K	200	5			5	90	1000	1.00	5	1		SOD-523F
BZT52C3V6K	200	5			5	90	1000	1.00	10	1		SOD-523F
BZT52C3V3K	200	5			5	95	1000	1.00	20	1		SOD-523F
BZT52C3V0K	200	5			5	100	1000	1.00	50	1		SOD-523F
BZT52C2V7K	200	5			5	100	1000	1.00	120	1		SOD-523F
BZX84C27	300	5			2	80	300	0.50	0.1	18.9	150	SOT-23
BZX84C30	300	5			2	80	300	0.50	0.1	21	150	SOT-23
BZX84C33	300	5			2	80	325	0.50	0.1	23.1	150	SOT-23
BZX84C36	300	5			2	90	350	0.50	0.1	25.2	150	SOT-23

## ZENER DIODE

 $(T_A = 25^\circ\text{C}$  unless otherwise noted)

Part Number	$P_D$ (mW)	Tolerance +/- (%)	$V_Z @ I_{ZT}$ Nom. (V)	$V_Z @ I_{ZT}$ Min. (V)	$V_Z @ I_{ZT}$ Max. (V)	$I_{ZT} @ V_Z$ (mA)	$Z_{ZT} @ I_{ZT}$ ( $\Omega$ )	$Z_{ZK} @ I_{ZK}$ (mA)	$I_R @ V_R$ ( $\mu\text{A}$ )	$I_R @ V_R$ (V)	$T_J$ Max. ( $^\circ\text{C}$ )	Package Description
BZX84C39	300	5			2	130	350	0.50	0.1	27.3	150	SOT-23
AZ23C7V5	300	5			5	7	50	1.00	0.1	5	150	SOT-23
AZ23C8V2	300	5			5	7	50	1.00	0.1	6	150	SOT-23
AZ23C6V8	300	5			5	8	150	1.00	0.1	3	150	SOT-23
AZ23C9V1	300	5			5	10	50	1.00	0.1	7	150	SOT-23
BZX84C6V2	300	5			5	10	150	1.00	3	4	150	SOT-23
AZ23C6V2	300	5			5	10	200	1.00	0.1	2	150	SOT-23
AZ23C10	300	5			5	15	70	1.00	0.1	7.5	150	SOT-23
BZX84C8V2	300	5			5	15	80	1.00	0.7	5	150	SOT-23
BZX84C7V5	300	5			5	15	80	1.00	1	5	150	SOT-23
BZX84C6V8	300	5			5	15	80	1.00	2	4	150	SOT-23
BZX84C9V1	300	5			5	15	100	1.00	0.5	6	150	SOT-23
AZ23C11	300	5			5	20	70	1.00	0.1	8.5	150	SOT-23
AZ23C12	300	5			5	20	90	1.00	0.1	9	150	SOT-23
BZX84C11	300	5			5	20	150	1.00	0.1	8	150	SOT-23
BZX84C10	300	5			5	20	150	1.00	0.2	7	150	SOT-23
AZ23C13	300	5			5	25	110	1.00	0.1	10	150	SOT-23
BZX84C12	300	5			5	25	150	1.00	0.1	8	150	SOT-23
AZ23C15	300	5			5	30	110	1.00	0.1	11	150	SOT-23
BZX84C13	300	5			5	30	170	1.00	0.1	8	150	SOT-23
BZX84C15	300	5			5	30	200	1.00	0.1	10.5	150	SOT-23
AZ23C16	300	5			5	40	170	1.00	0.1	12	150	SOT-23
BZX84C16	300	5			5	40	200	1.00	0.1	11.2	150	SOT-23
AZ23C5V6	300	5			5	40	400	1.00	0.1	1	150	SOT-23
BZX84C5V6	300	5			5	40	400	1.00	1	2	150	SOT-23
BZX84C18	300	5			5	45	225	1.00	0.1	12.6	150	SOT-23
AZ23C18	300	5			5	50	170	1.00	0.1	14	150	SOT-23
AZ23C20	300	5			5	50	220	1.00	0.1	15	150	SOT-23

## ZENER DIODE

 $(T_A = 25^\circ\text{C}$  unless otherwise noted)

Part Number	$P_D$ (mW)	Tolerance +/- (%)	$V_Z @ I_{ZT}$ Nom. (V)	$V_Z @ I_{ZT}$ Min. (V)	$V_Z @ I_{ZT}$ Max. (V)	$I_{ZT} @ V_Z$ (mA)	$Z_{ZT} @ I_{ZT}$ ( $\Omega$ )	$Z_{ZK} @ I_{ZK}$ (mA)	$I_R @ V_R$ ( $\mu\text{A}$ )	$I_R @ V_R$ (V)	$T_J$ Max. ( $^\circ\text{C}$ )	Package Description
AZ23C22	300	5			5	55	220	1.00	0.1	17	150	SOT-23
BZX84C20	300	5			5	55	225	1.00	0.1	14	150	SOT-23
BZX84C22	300	5			5	55	250	1.00	0.1	15.4	150	SOT-23
AZ23C5V1	300	5			5	60	480	1.00	0.1	0.8	150	SOT-23
BZX84C5V1	300	5			5	60	480	1.00	2	2	150	SOT-23
BZX84C24	300	5			5	70	250	1.00	0.1	16.8	150	SOT-23
AZ23C4V7	300	5			5	78	500	1.00	0.1		150	SOT-23
AZ23C24	300	5			5	80	220	1.00	0.1	18	150	SOT-23
AZ23C27	300	5			5	80	250	1.00	0.1	20	150	SOT-23
AZ23C30	300	5			5	80	250	1.00	0.1	22.5	150	SOT-23
AZ23C33	300	5			5	80	250	1.00	0.1	25	150	SOT-23
BZX84C4V7	300	5			5	80	500	1.00	3	2	150	SOT-23
AZ23C2V7	300	5			5	83	500	1.00	0.1		150	SOT-23
AZ23C36	300	5			5	90	250	1.00	0.1	27	150	SOT-23
AZ23C39	300	5			5	90	300	1.00	0.1	29	150	SOT-23
BZX84C3V9	300	5			5	90	600	1.00	3	1	150	SOT-23
BZX84C4V3	300	5			5	90	600	1.00	3	1	150	SOT-23
BZX84C3V6	300	5			5	90	600	1.00	5	1	150	SOT-23
AZ23C3V0	300	5			5	95	500	1.00	0.1		150	SOT-23
AZ23C3V3	300	5			5	95	500	1.00	0.1		150	SOT-23
AZ23C3V6	300	5			5	95	500	1.00	0.1		150	SOT-23
AZ23C3V9	300	5			5	95	500	1.00	0.1		150	SOT-23
AZ23C4V3	300	5			5	95	500	1.00	0.1		150	SOT-23
BZX84C3V3	300	5			5	95	600	1.00	5	1	150	SOT-23
BZX84C3V0	300	5			5	95	600	1.00	10	1	150	SOT-23
BZX84C2V7	300	5			5	100	600	1.00	20	1	150	SOT-23
BZX84C2V4	300	5			5	100	600	1.00	50	1	150	SOT-23
AZ23C43	300	5			5	100	700	1.00	0.1	32	150	SOT-23

## ZENER DIODE

(T<sub>A</sub>=25°C unless otherwise noted)

Part Number	P <sub>D</sub> (mW)	Tolerance +/- (%)	V <sub>Z</sub> @ I <sub>ZT</sub> Nom. (V)	V <sub>Z</sub> @ I <sub>ZT</sub> Min. (V)	V <sub>Z</sub> @ I <sub>ZT</sub> Max. (V)	I <sub>ZT</sub> @ V <sub>Z</sub> (mA)	Z <sub>ZT</sub> @ I <sub>ZT</sub> (Ω)	Z <sub>ZK</sub> @ I <sub>ZK</sub> (mA)	I <sub>R</sub> @ V <sub>R</sub> (μA)	I <sub>R</sub> @ V <sub>R</sub> (V)	T <sub>J</sub> Max. (°C)	Package Description
AZ23C47	300	5			5	100	750	1.00	0.1	35	150	SOT-23
AZ23C51	300	5			5	100	750	1.00	0.1	38	150	SOT-23
BZT52C27-G	350	5			2	80	300	0.50	0.1	18.9	150	SOD-123
BZT52C30-G	350	5			2	80	300	0.50	0.1	21	150	SOD-123
BZT52C33-G	350	5			2	80	325	0.50	0.1	23.1	150	SOD-123
BZT52C36-G	350	5			2	90	350	0.50	0.1	25.2	150	SOD-123
BZT52C39-G	350	5			2	130	350	0.50	0.1	27.3	150	SOD-123
BZT52C47-G	350	5			2	170	1000	0.25	0.1	36	150	SOD-123
BZT52C51-G	350	5			2	180	1300	0.25	0.1	39	150	SOD-123
BZT52C56-G	350	5			2	200	1400	0.25	0.1	43	150	SOD-123
BZT52C62-G	350	5			2	225	1400	0.25	0.1	47	150	SOD-123
BZT52C68-G	350	5			2	240	1600	0.25	0.1	52	150	SOD-123
BZT52C75-G	350	5			2	265	1700	0.25	0.1	56	150	SOD-123
BZT52C6V2-G	350	5			5	10	150	1.00	3	4	150	SOD-123
BZT52C8V2-G	350	5			5	15	80	1.00	0.7	5	150	SOD-123
BZT52C7V5-G	350	5			5	15	80	1.00	1	5	150	SOD-123
BZT52C6V8-G	350	5			5	15	80	1.00	2	4	150	SOD-123
BZT52C9V1-G	350	5			5	15	100	1.00	0.5	6	150	SOD-123
BZT52C11-G	350	5			5	20	150	1.00	0.1	8	150	SOD-123
BZT52C10-G	350	5			5	20	150	1.00	0.2	7	150	SOD-123
BZT52C12-G	350	5			5	25	150	1.00	0.1	8	150	SOD-123
BZT52C13-G	350	5			5	30	170	1.00	0.1	8	150	SOD-123
BZT52C15-G	350	5			5	30	200	1.00	0.1	10.5	150	SOD-123
BZT52C16-G	350	5			5	40	200	1.00	0.1	11.2	150	SOD-123
BZT52C5V6-G	350	5			5	40	400	1.00	1	2	150	SOD-123
BZT52C18-G	350	5			5	45	225	1.00	0.1	12.6	150	SOD-123
BZT52C20-G	350	5			5	55	225	1.00	0.1	14	150	SOD-123
BZT52C22-G	350	5			5	55	250	1.00	0.1	15.4	150	SOD-123

## ZENER DIODE

 $(T_A = 25^\circ\text{C}$  unless otherwise noted)

Part Number	$P_D$ (mW)	Tolerance +/- (%)	$V_Z @ I_{ZT}$ Nom. (V)	$V_Z @ I_{ZT}$ Min. (V)	$V_Z @ I_{ZT}$ Max. (V)	$I_{ZT} @ V_Z$ (mA)	$Z_{ZT} @ I_{ZT}$ ( $\Omega$ )	$Z_{ZK} @ I_{ZK}$ (mA)	$I_R @ V_R$ ( $\mu\text{A}$ )	$I_R @ V_R$ (V)	$T_J$ Max. ( $^\circ\text{C}$ )	Package Description
BZT52C5V1-G	350	5			5	60	480	1.00	2	2	150	SOD-123
BZT52C24-G	350	5			5	70	250	1.00	0.1	16.8	150	SOD-123
BZT52C4V7-G	350	5			5	80	500	1.00	3	2	150	SOD-123
BZT52C3V9-G	350	5			5	90	600	1.00	3	1	150	SOD-123
BZT52C4V3-G	350	5			5	90	600	1.00	3	1	150	SOD-123
BZT52C3V6-G	350	5			5	90	600	1.00	5	1	150	SOD-123
BZT52C3V3-G	350	5			5	95	600	1.00	5	1	150	SOD-123
BZT52C3V0-G	350	5			5	95	600	1.00	10	1	150	SOD-123
BZT52C2V7-G	350	5			5	100	600	1.00	20	1	150	SOD-123
BZT52C2V4-G	350	5			5	100	600	1.00	50	1	150	SOD-123
BZT52C43-G	350	5			5	100	700	1.00	0.1	32	150	SOD-123
BZT52B27-G	410	2			2	80	300	0.50	0.1	18.9	150	SOD-123
BZT52B30-G	410	2			2	80	300	0.50	0.1	21	150	SOD-123
BZT52B33-G	410	2			2	80	325	0.50	0.1	23.1	150	SOD-123
BZT52B36-G	410	2			2	90	350	0.50	0.1	25.2	150	SOD-123
BZT52B51-G	410	2			2	100	750	1.00	0.045	35.7	150	SOD-123
BZT52B47-G	410	2			2	100	750	1.00	0.1	35	150	SOD-123
BZT52B39-G	410	2			2	130	350	0.50	0.1	27.3	150	SOD-123
BZT52B43-G	410	2			2	130	350	0.50	0.1	29.4	150	SOD-123
BZT52B56-G	410	2			2	200	400	0.50	0.045	39.2	150	SOD-123
BZT52B62-G	410	2			2	215	423	0.50	0.045	43.4	150	SOD-123
BZT52B68-G	410	2			2	240	447	0.50	0.045	47.6	150	SOD-123
BZT52B75-G	410	2			2	255	470	0.50	0.045	52.5	150	SOD-123
BZT52B6V2-G	410	2			5	10	150	1.00	3	4	150	SOD-123
BZT52B8V2-G	410	2			5	15	80	1.00	0.7	5	150	SOD-123
BZT52B7V5-G	410	2			5	15	80	1.00	1	5	150	SOD-123
BZT52B6V8-G	410	2			5	15	80	1.00	2	4	150	SOD-123
BZT52B9V1-G	410	2			5	15	100	1.00	0.5	6	150	SOD-123



## ZENER DIODE

 $(T_A=25^\circ\text{C}$  unless otherwise noted)

Part Number	$P_D$ (mW)	Tolerance +/- (%)	$V_Z @ I_{ZT}$ Nom. (V)	$V_Z @ I_{ZT}$ Min. (V)	$V_Z @ I_{ZT}$ Max. (V)	$I_{ZT} @ V_Z$ (mA)	$Z_{ZT} @ I_{ZT}$ ( $\Omega$ )	$Z_{ZK} @ I_{ZK}$ (mA)	$I_R @ V_R$ ( $\mu\text{A}$ )	$I_R @ V_R$ (V)	$T_J$ Max. ( $^\circ\text{C}$ )	Package Description
BZT52B11-G	410	2			5	20	150	1.00	0.1	8	150	SOD-123
BZT52B10-G	410	2			5	20	150	1.00	0.2	7	150	SOD-123
BZT52B12-G	410	2			5	25	150	1.00	0.1	8	150	SOD-123
BZT52B13-G	410	2			5	30	170	1.00	0.1	8	150	SOD-123
BZT52B15-G	410	2			5	30	200	1.00	0.1	10.5	150	SOD-123
BZT52B16-G	410	2			5	40	200	1.00	0.1	11.2	150	SOD-123
BZT52B5V6-G	410	2			5	40	400	1.00	1	2	150	SOD-123
BZT52B18-G	410	2			5	45	225	1.00	0.1	12.6	150	SOD-123
BZT52B20-G	410	2			5	55	225	1.00	0.1	14	150	SOD-123
BZT52B22-G	410	2			5	55	250	1.00	0.1	15.4	150	SOD-123
BZT52B5V1-G	410	2			5	60	480	1.00	2	2	150	SOD-123
BZT52B24-G	410	2			5	70	250	1.00	0.1	16.8	150	SOD-123
BZT52B4V7-G	410	2			5	80	500	1.00	3	2	150	SOD-123
BZT52B3V9-G	410	2			5	90	600	1.00	3	1	150	SOD-123
BZT52B4V3-G	410	2			5	90	600	1.00	3	1	150	SOD-123
BZT52B3V6-G	410	2			5	90	600	1.00	5	1	150	SOD-123
BZT52B3V3-G	410	2			5	95	600	1.00	5	1	150	SOD-123
BZT52B3V0-G	410	2			5	95	600	1.00	10	1	150	SOD-123
BZT52B2V7-G	410	2			5	100	600	1.00	20	1	150	SOD-123
BZT52B2V4-G	410	2			5	100	600	1.00	50	1	150	SOD-123
MTZJ2V0SA	500	2	1.88	2.1	5	100	1000	0.5	120	0.5	175	DO-34
MTZJ2V0SB	500	2	2.02	2.2	5	100	1000	0.5	120	0.5	175	DO-34
MTZJ2V2SA	500	2	2.12	2.3	5	100	1000	0.5	120	0.7	175	DO-34
MTZJ2V2SB	500	2	2.22	2.41	5	100	1000	0.5	120	0.7	175	DO-34
MTZJ2V4SA	500	2	2.33	2.52	5	100	1000	0.5	120	1	175	DO-34
BZY55B2V4	500	2	2.35	2.45	5	85	600	1.00	50	1	150	0805 (Ceramics)
BZX55B2V4	500	2	2.35	2.45	5	85	600	1.00	50	1	175	DO-35
BZT55B2V4	500	2	2.35	2.45	5	85	600	1.00	50	1	175	MMELF

## ZENER DIODE

 $(T_A = 25^\circ\text{C}$  unless otherwise noted)

Part Number	$P_D$ (mW)	Tolerance +/- (%)	$V_Z @ I_{ZT}$ Nom. (V)	$V_Z @ I_{ZT}$ Min. (V)	$V_Z @ I_{ZT}$ Max. (V)	$I_{ZT} @ V_Z$ (mA)	$Z_{ZT} @ I_{ZT}$ ( $\Omega$ )	$Z_{ZK} @ I_{ZK}$ (mA)	$I_R @ V_R$ ( $\mu\text{A}$ )	$I_R @ V_R$ (V)	$T_J$ Max. ( $^\circ\text{C}$ )	Package Description
BZV55B2V4	500	2	2.35	2.45	5	85	600	1.00	50	1		MMELF
BZX79B2V4	500	2	2.35	2.45	5	100	600	1.00	100	1	175	DO-35
MTZJ2V4SB	500	2	2.43	2.63	5	100	1000	0.5	120	1	175	DO-34
MTZJ2V7SA	500	2	2.54	2.75	5	110	1000	0.5	100	1	175	DO-34
BZY55B2V7	500	2	2.65	2.75	5	85	600	1.00	10	1	150	0805 (Ceramics)
BZX55B2V7	500	2	2.65	2.75	5	85	600	1.00	10	1	175	DO-35
BZT55B2V7	500	2	2.65	2.75	5	85	600	1.00	10	1	175	MMELF
BZV55B2V7	500	2	2.65	2.75	5	85	600	1.00	10	1		MMELF
BZX79B2V7	500	2	2.65	2.75	5	100	600	1.00	75	1	175	DO-35
MTZJ2V7SB	500	2	2.69	2.91	5	110	1000	0.5	100	1	175	DO-34
MTZJ3V0SA	500	2	2.85	3.07	5	120	1000	0.5	50	1	175	DO-34
BZY55B3V0	500	2	2.94	3.06	5	85	600	1.00	4	1	150	0805 (Ceramics)
BZX55B3V0	500	2	2.94	3.06	5	85	600	1.00	4	1	175	DO-35
BZT55B3V0	500	2	2.94	3.06	5	85	600	1.00	4	1	175	MMELF
BZV55B3V0	500	2	2.94	3.06	5	85	600	1.00	4	1		MMELF
BZX79B3V0	500	2	2.94	3.06	5	95	600	1.00	50	1	175	DO-35
MTZJ3V0SB	500	2	3.01	3.22	5	120	1000	0.5	50	1	175	DO-34
MTZJ3V3SA	500	2	3.16	3.38	5	120	1000	0.5	20	1	175	DO-34
BZY55B3V3	500	2	3.23	3.37	5	85	600	1.00	2	1	150	0805 (Ceramics)
BZX55B3V3	500	2	3.23	3.37	5	85	600	1.00	2	1	175	DO-35
BZT55B3V3	500	2	3.23	3.37	5	85	600	1.00	2	1	175	MMELF
BZV55B3V3	500	2	3.23	3.37	5	85	600	1.00	2	1		MMELF
BZX79B3V3	500	2	3.23	3.37	5	95	600	1.00	25	1	175	DO-35
MTZJ3V3SB	500	2	3.32	3.53	5	120	1000	0.5	20	1	175	DO-34
MTZJ3V6SA	500	2	3.455	3.695	5	100	1000	1.0	10	1	175	DO-34
BZY55B3V6	500	2	3.53	3.67	5	85	600	1.00	2	1	150	0805 (Ceramics)
BZX55B3V6	500	2	3.53	3.67	5	85	600	1.00	2	1	175	DO-35
BZT55B3V6	500	2	3.53	3.67	5	85	600	1.00	2	1	175	MMELF

## ZENER DIODE

 $(T_A = 25^\circ\text{C}$  unless otherwise noted)

Part Number	$P_D$	Tolerance	$V_Z @ I_{ZT}$ Nom.	$V_Z @ I_{ZT}$ Min.	$V_Z @ I_{ZT}$ Max.	$I_{ZT} @ V_Z$	$Z_{ZT} @ I_{ZT}$	$Z_{ZK} @ I_{ZK}$	$I_R @ V_R$	$I_R @ V_R$	$T_J$ Max.	Package Description
	(mW)	+/- (%)	(V)	(V)	(V)	(mA)	( $\Omega$ )	(mA)	( $\mu\text{A}$ )	(V)	( $^\circ\text{C}$ )	
BZV55B3V6	500	2	3.53	3.67	5	85	600	1.00	2	1		MMELF
BZX79B3V6	500	2	3.53	3.67	5	90	600	1.00	15	1	175	DO-35
MTZJ3V6SB	500	2	3.6	3.845	5	100	1000	1.0	10	1	175	DO-34
MTZJ3V9SA	500	2	3.74	4.01	5	100	1000	1.0	5	1	175	DO-34
BZY55B3V9	500	2	3.82	3.98	5	85	600	1.00	2	1	150	0805 (Ceramics)
BZX55B3V9	500	2	3.82	3.98	5	85	600	1.00	2	1	175	DO-35
BZT55B3V9	500	2	3.82	3.98	5	85	600	1.00	2	1	175	MMELF
BZV55B3V9	500	2	3.82	3.98	5	85	600	1.00	2	1		MMELF
BZX79B3V9	500	2	3.82	3.98	5	90	600	1.00	10	1	175	DO-35
MTZJ3V9SB	500	2	3.89	4.16	5	100	1000	1.0	5	1	175	DO-34
MTZJ4V3SA	500	2	4.04	4.29	5	100	1000	1.0	5	1	175	DO-34
MTZJ4V3SB	500	2	4.17	4.43	5	100	1000	1.0	5	1	175	DO-34
BZX55B4V3	500	2	4.21	4.39	5	75	600	1.00	1	1	175	DO-35
BZT55B4V3	500	2	4.21	4.39	5	75	600	1.00	1	1	175	MMELF
BZV55B4V3	500	2	4.21	4.39	5	75	600	1.00	1	1		MMELF
BZY55B4V3	500	2	4.21	4.39	5	80	600	1.00	1	1	150	0805 (Ceramics)
BZX79B4V3	500	2	4.21	4.39	5	90	600	1.00	5	1	175	DO-35
MTZJ4V3SC	500	2	4.3	4.57	5	100	1000	1.0	5	1	175	DO-34
MTZJ4V7SA	500	2	4.44	4.68	5	80	900	0.5	5	1	175	DO-34
MTZJ4V7SB	500	2	4.55	4.8	5	80	900	0.5	5	1	175	DO-34
BZX55B4V7	500	2	4.61	4.79	5	60	600	1.00	0.5	1	175	DO-35
BZT55B4V7	500	2	4.61	4.79	5	60	600	1.00	0.5	1	175	MMELF
BZV55B4V7	500	2	4.61	4.79	5	60	600	1.00	0.5	1		MMELF
BZY55B4V7	500	2	4.61	4.79	5	70	600	1.00	0.5	1	150	0805 (Ceramics)
BZX79B4V7	500	2	4.61	4.79	5	80	500	1.00	3	2	175	DO-35
MTZJ4V7SC	500	2	4.68	4.93	5	80	900	0.5	5	1	175	DO-34
MTZJ5V1SA	500	2	4.81	5.07	5	80	1200	0.5	5	1.5	175	DO-34
MTZJ5V1SB	500	2	4.94	5.2	5	80	1200	0.5	5	1.5	175	DO-34

## ZENER DIODE

 $(T_A = 25^\circ\text{C}$  unless otherwise noted)

Part Number	$P_D$ (mW)	Tolerance +/- (%)	$V_Z @ I_{ZT}$ Nom. (V)	$V_Z @ I_{ZT}$ Min. (V)	$V_Z @ I_{ZT}$ Max. (V)	$I_{ZT} @ V_Z$ (mA)	$Z_{ZT} @ I_{ZT}$ ( $\Omega$ )	$Z_{ZK} @ I_{ZK}$ (mA)	$I_R @ V_R$ ( $\mu\text{A}$ )	$I_R @ V_R$ (V)	$T_J$ Max. ( $^\circ\text{C}$ )	Package Description
BZX55B5V1	500	2	5	5.2	5	35	550	1.00	0.1	1	175	DO-35
BZT55B5V1	500	2	5	5.2	5	35	550	1.00	0.1	1	175	MMELF
BZV55B5V1	500	2	5	5.2	5	35	550	1.00	0.1	1		MMELF
BZY55B5V1	500	2	5	5.2	5	50	550	1.00	0.1	1	150	0805 (Ceramics)
BZX79B5V1	500	2	5	5.2	5	60	480	1.00	2	2	175	DO-35
MTZJ5V1SC	500	2	5.09	5.37	5	80	1200	0.5	5	1.5	175	DO-34
MTZJ5V6SA	500	2	5.28	5.55	5	60	900	0.5	5	2.5	175	DO-34
MTZJ5V6SB	500	2	5.45	5.73	5	60	900	0.5	5	2.5	175	DO-34
BZX55B5V6	500	2	5.49	5.71	5	25	450	1.00	0.1	1	175	DO-35
BZT55B5V6	500	2	5.49	5.71	5	25	450	1.00	0.1	1	175	MMELF
BZV55B5V6	500	2	5.49	5.71	5	25	450	1.00	0.1	1		MMELF
BZY55B5V6	500	2	5.49	5.71	5	30	450	1.00	0.1	1	150	0805 (Ceramics)
BZX79B5V6	500	2	5.49	5.71	5	40	400	1.00	1	2	175	DO-35
MTZJ5V6SC	500	2	5.61	5.91	5	60	900	0.5	5	2.5	175	DO-34
MTZJ6V2SA	500	2	5.78	6.09	5	60	500	0.5	5	3	175	DO-34
MTZJ6V2SB	500	2	5.96	6.27	5	60	500	0.5	5	3	175	DO-34
BZX79B6V2	500	2	6.08	6.32	5	10	150	1.00	3	4	175	DO-35
BZY55B6V2	500	2	6.08	6.32	5	10	200	1.00	0.1	2	150	0805 (Ceramics)
BZX55B6V2	500	2	6.08	6.32	5	10	200	1.00	0.1	2	175	DO-35
BZT55B6V2	500	2	6.08	6.32	5	10	200	1.00	0.1	2	175	MMELF
BZV55B6V2	500	2	6.08	6.32	5	10	200	1.00	0.1	2		MMELF
MTZJ6V2SC	500	2	6.12	6.44	5	60	500	0.5	5	3	175	DO-34
MTZJ6V8SA	500	2	6.29	6.63	5	20	150	0.5	2	3.5	175	DO-34
MTZJ6V8SB	500	2	6.49	6.83	5	20	150	0.5	2	3.5	175	DO-34
BZY55B6V8	500	2	6.66	6.94	5	8	150	1.00	0.1	3	150	0805 (Ceramics)
BZX55B6V8	500	2	6.66	6.94	5	8	150	1.00	0.1	3	175	DO-35
BZT55B6V8	500	2	6.66	6.94	5	8	150	1.00	0.1	3	175	MMELF
BZV55B6V8	500	2	6.66	6.94	5	8	150	1.00	0.1	3		MMELF

## ZENER DIODE

(T<sub>A</sub>=25°C unless otherwise noted)

Part Number	P <sub>D</sub>	Tolerance	V <sub>Z</sub> @ I <sub>ZT</sub> Nom.	V <sub>Z</sub> @ I <sub>ZT</sub> Min.	V <sub>Z</sub> @ I <sub>ZT</sub> Max.	I <sub>ZT</sub> @ V <sub>Z</sub>	Z <sub>ZT</sub> @ I <sub>ZT</sub>	Z <sub>ZK</sub> @ I <sub>ZK</sub>	I <sub>R</sub> @ V <sub>R</sub>	I <sub>R</sub> @ V <sub>R</sub>	T <sub>J</sub> Max.	Package Description
	(mW)	+/- (%)	(V)	(V)	(V)	(mA)	(Ω)	(mA)	(μA)	(V)	(°C)	
BZX79B6V8	500	2	6.66	6.94	5	15	80	1.00	2	4	175	DO-35
MTZJ6V8SC	500	2	6.66	7.01	5	20	150	0.5	2	3.5	175	DO-34
MTZJ7V5SA	500	2	6.85	7.22	5	20	120	0.5	0.5	4	175	DO-34
MTZJ7V5SB	500	2	7.07	7.45	5	20	120	0.5	0.5	4	175	DO-34
MTZJ7V5SC	500	2	7.29	7.67	5	20	120	0.5	0.5	4	175	DO-34
BZY55B7V5	500	2	7.35	7.65	5	7	50	1.00	0.1	5	150	0805 (Ceramics)
BZX55B7V5	500	2	7.35	7.65	5	7	50	1.00	0.1	5	175	DO-35
BZT55B7V5	500	2	7.35	7.65	5	7	50	1.00	0.1	5	175	MMELF
BZV55B7V5	500	2	7.35	7.65	5	7	50	1.00	0.1	5		MMELF
BZX79B7V5	500	2	7.35	7.65	5	15	80	1.00	1	5	175	DO-35
MTZJ8V2SA	500	2	7.53	7.92	5	20	120	0.5	0.5	5	175	DO-34
MTZJ8V2SB	500	2	7.78	8.19	5	20	120	0.5	0.5	5	175	DO-34
MTZJ8V2SC	500	2	8.03	8.45	5	20	120	0.5	0.5	5	175	DO-34
BZY55B8V2	500	2	8.04	8.36	5	7	50	1.00	0.1	6.2	150	0805 (Ceramics)
BZX55B8V2	500	2	8.04	8.36	5	7	50	1.00	0.1	6.2	175	DO-35
BZT55B8V2	500	2	8.04	8.36	5	7	50	1.00	0.1	6.2	175	MMELF
BZV55B8V2	500	2	8.04	8.36	5	7	50	1.00	0.1	6.2		MMELF
BZX79B8V2	500	2	8.04	8.36	5	15	80	1.00	0.7	5	175	DO-35
MTZJ9V1SA	500	2	8.29	8.73	5	25	120	0.5	0.5	6	175	DO-34
MTZJ9V1SB	500	2	8.57	9.01	5	25	120	0.5	0.5	6	175	DO-34
MTZJ9V1SC	500	2	8.83	9.3	5	25	120	0.5	0.5	6	175	DO-34
BZY55B9V1	500	2	8.92	9.28	5	10	50	1.00	0.1	6.8	150	0805 (Ceramics)
BZX55B9V1	500	2	8.92	9.28	5	10	50	1.00	0.1	6.8	175	DO-35
BZT55B9V1	500	2	8.92	9.28	5	10	50	1.00	0.1	6.8	175	MMELF
BZV55B9V1	500	2	8.92	9.28	5	10	50	1.00	0.1	6.8		MMELF
BZX79B9V1	500	2	8.92	9.28	5	15	100	1.00	0.5	6	175	DO-35
MTZJ10SA	500	2	9.12	9.59	5	30	120	0.5	0.2	7	175	DO-34
MTZJ10SB	500	2	9.41	9.9	5	30	120	0.5	0.2	7	175	DO-34

## ZENER DIODE

 $(T_A = 25^\circ\text{C}$  unless otherwise noted)

Part Number	$P_D$ (mW)	Tolerance +/- (%)	$V_Z @ I_{ZT}$ Nom. (V)	$V_Z @ I_{ZT}$ Min. (V)	$V_Z @ I_{ZT}$ Max. (V)	$I_{ZT} @ V_Z$ (mA)	$Z_{ZT} @ I_{ZT}$ ( $\Omega$ )	$Z_{ZK} @ I_{ZK}$ (mA)	$I_R @ V_R$ ( $\mu\text{A}$ )	$I_R @ V_R$ (V)	$T_J$ Max. ( $^\circ\text{C}$ )	Package Description
MTZJ10SC	500	2	9.7	10.2	5	30	120	0.5	0.2	7	175	DO-34
BZY55B10	500	2	9.8	10.2	5	15	70	1.00	0.1	7.5	150	0805 (Ceramics)
BZX55B10	500	2	9.8	10.2	5	15	70	1.00	0.1	7.5	175	DO-35
BZT55B10	500	2	9.8	10.2	5	15	70	1.00	0.1	7.5	175	MMELF
BZV55B10	500	2	9.8	10.2	5	15	70	1.00	0.1	7.5		MMELF
BZX79B10	500	2	9.8	10.2	5	20	150	1.00	0.2	7	175	DO-35
MTZJ10SD	500	2	9.97	10.44	5	30	120	0.5	0.2	7	175	DO-34
MTZJ11SA	500	2	10.18	10.71	5	30	120	0.5	0.2	8	175	DO-34
MTZJ11SB	500	2	10.5	11.05	5	30	120	0.5	0.2	8	175	DO-34
BZY55B11	500	2	10.78	11.22	5	20	70	1.00	0.1	8.2	150	0805 (Ceramics)
BZX55B11	500	2	10.78	11.22	5	20	70	1.00	0.1	8.2	175	DO-35
BZT55B11	500	2	10.78	11.22	5	20	70	1.00	0.1	8.2	175	MMELF
BZV55B11	500	2	10.78	11.22	5	20	70	1.00	0.1	8.2		MMELF
BZX79B11	500	2	10.78	11.22	5	20	150	1.00	0.1	8	175	DO-35
MTZJ11SC	500	2	10.82	11.38	5	30	120	0.5	0.2	8	175	DO-34
MTZJ12SA	500	2	11.13	11.71	5	30	110	0.5	0.2	9	175	DO-34
MTZJ12SB	500	2	11.44	12.03	5	30	110	0.5	0.2	9	175	DO-34
MTZJ12SC	500	2	11.74	12.35	5	30	110	0.5	0.2	9	175	DO-34
BZY55B12	500	2	11.76	12.24	5	20	90	1.00	0.1	9.1	150	0805 (Ceramics)
BZX55B12	500	2	11.76	12.24	5	20	90	1.00	0.1	9.1	175	DO-35
BZT55B12	500	2	11.76	12.24	5	20	90	1.00	0.1	9.1	175	MMELF
BZV55B12	500	2	11.76	12.24	5	20	90	1.00	0.1	9.1		MMELF
BZX79B12	500	2	11.76	12.24	5	25	150	1.00	0.1	8	175	DO-35
MTZJ13SA	500	2	12.11	12.75	5	35	110	0.5	0.2	10	175	DO-34
MTZJ13SB	500	2	12.55	13.21	5	35	110	0.5	0.2	10	175	DO-34
BZY55B13	500	2	12.74	13.26	5	26	110	1.00	0.1	10	150	0805 (Ceramics)
BZX55B13	500	2	12.74	13.26	5	26	110	1.00	0.1	10	175	DO-35
BZT55B13	500	2	12.74	13.26	5	26	110	1.00	0.1	10	175	MMELF

## ZENER DIODE

 $(T_A = 25^\circ\text{C}$  unless otherwise noted)

Part Number	$P_D$ (mW)	Tolerance +/- (%)	$V_Z @ I_{ZT}$ Nom. (V)	$V_Z @ I_{ZT}$ Min. (V)	$V_Z @ I_{ZT}$ Max. (V)	$I_{ZT} @ V_Z$ (mA)	$Z_{ZT} @ I_{ZT}$ ( $\Omega$ )	$Z_{ZK} @ I_{ZK}$ (mA)	$I_R @ V_R$ ( $\mu\text{A}$ )	$I_R @ V_R$ (V)	$T_J$ Max. ( $^\circ\text{C}$ )	Package Description
BZV55B13	500	2	12.74	13.26	5	26	110	1.00	0.1	10		MMELF
BZX79B13	500	2	12.74	13.26	5	30	170	1.00	0.1	8	175	DO-35
MTZJ13SC	500	2	12.99	13.66	5	35	110	0.5	0.2	10	175	DO-34
MTZJ15SA	500	2	13.44	14.13	5	40	110	0.5	0.2	11	175	DO-34
MTZJ15SB	500	2	13.89	14.62	5	40	110	0.5	0.2	11	175	DO-34
MTZJ15SC	500	2	14.35	15.09	5	40	110	0.5	0.2	11	175	DO-34
BZY55B15	500	2	14.7	15.3	5	30	110	1.00	0.1	11	150	0805 (Ceramics)
BZX55B15	500	2	14.7	15.3	5	30	110	1.00	0.1	11	175	DO-35
BZT55B15	500	2	14.7	15.3	5	30	110	1.00	0.1	11	175	MMELF
BZV55B15	500	2	14.7	15.3	5	30	110	1.00	0.1	11		MMELF
BZX79B15	500	2	14.7	15.3	5	30	200	1.00	0.05	10.5	175	DO-35
MTZJ16SA	500	2	14.8	15.57	5	40	150	0.5	0.2	12	175	DO-34
MTZJ16SB	500	2	15.25	16.04	5	40	150	0.5	0.2	12	175	DO-34
BZY55B16	500	2	15.68	16.32	5	40	170	1.00	0.1	12	150	0805 (Ceramics)
BZX55B16	500	2	15.68	16.32	5	40	170	1.00	0.1	12	175	DO-35
BZT55B16	500	2	15.68	16.32	5	40	170	1.00	0.1	12	175	MMELF
BZV55B16	500	2	15.68	16.32	5	40	170	1.00	0.1	12		MMELF
BZX79B16	500	2	15.68	16.32	5	40	200	1.00	0.05	11.2	175	DO-35
MTZJ16SC	500	2	15.69	16.51	5	40	150	0.5	0.2	12	175	DO-34
MTZJ18SA	500	2	16.22	17.06	5	45	150	0.5	0.2	13	175	DO-34
MTZJ18SB	500	2	16.82	17.7	5	45	150	0.5	0.2	13	175	DO-34
MTZJ18SC	500	2	17.42	18.33	5	45	150	0.5	0.2	13	175	DO-34
BZX79B18	500	2	17.64	18.36	5	45	225	1.00	0.05	12.6	175	DO-35
BZY55B18	500	2	17.64	18.36	5	50	170	1.00	0.1	13	150	0805 (Ceramics)
BZT55B18	500	2	17.64	18.36	5	50	170	1.00	0.1	13	175	MMELF
BZV55B18	500	2	17.64	18.36	5	50	170	1.00	0.1	13		MMELF
BZX55B18	500	2	17.64	18.36	5	50	170	1.00	0.1	14	175	DO-35
MTZJ20SA	500	2	18.02	18.96	5	55	200	0.5	0.2	15	175	DO-34

## ZENER DIODE

 $(T_A = 25^\circ\text{C}$  unless otherwise noted)

Part Number	$P_D$ (mW)	Tolerance +/- (%)	$V_Z @ I_{ZT}$ Nom. (V)	$V_Z @ I_{ZT}$ Min. (V)	$V_Z @ I_{ZT}$ Max. (V)	$I_{ZT} @ V_Z$ (mA)	$Z_{ZT} @ I_{ZT}$ ( $\Omega$ )	$Z_{ZK} @ I_{ZK}$ (mA)	$I_R @ V_R$ ( $\mu\text{A}$ )	$I_R @ V_R$ (V)	$T_J$ Max. ( $^\circ\text{C}$ )	Package Description
MTZJ20SB	500	2	18.63	19.59	5	55	200	0.5	0.2	15	175	DO-34
MTZJ20SC	500	2	19.23	20.22	5	55	200	0.5	0.2	15	175	DO-34
BZY55B20	500	2	19.6	20.4	5	55	220	1.00	0.1	15	150	0805 (Ceramics)
BZX55B20	500	2	19.6	20.4	5	55	220	1.00	0.1	15	175	DO-35
BZT55B20	500	2	19.6	20.4	5	55	220	1.00	0.1	15	175	MMELF
BZV55B20	500	2	19.6	20.4	5	55	220	1.00	0.1	15		MMELF
BZX79B20	500	2	19.6	20.4	5	55	225	1.00	0.05	14	175	DO-35
MTZJ20SD	500	2	19.72	20.72	5	55	200	0.5	0.2	15	175	DO-34
MTZJ22SA	500	2	20.15	21.2	5	30	200	0.5	0.2	17	175	DO-34
MTZJ22SB	500	2	20.64	21.71	5	30	200	0.5	0.2	17	175	DO-34
MTZJ22SC	500	2	21.08	22.17	5	30	200	0.5	0.2	17	175	DO-34
MTZJ22SD	500	2	21.52	22.63	5	30	200	0.5	0.2	17	175	DO-34
BZY55B22	500	2	21.56	22.44	5	55	220	1.00	0.1	16	150	0805 (Ceramics)
BZT55B22	500	2	21.56	22.44	5	55	220	1.00	0.1	16	175	MMELF
BZV55B22	500	2	21.56	22.44	5	55	220	1.00	0.1	16		MMELF
BZX55B22	500	2	21.56	22.44	5	55	220	1.00	0.1	17	175	DO-35
BZX79B22	500	2	21.56	22.44	5	55	250	1.00	0.05	15.4	175	DO-35
MTZJ24SA	500	2	22.05	23.18	5	35	200	0.5	0.2	19	175	DO-34
MTZJ24SB	500	2	22.61	23.77	5	35	200	0.5	0.2	19	175	DO-34
MTZJ24SC	500	2	23.12	24.31	5	35	200	0.5	0.2	19	175	DO-34
BZX79B24	500	2	23.52	24.48	5	70	250	1.00	0.05	16.8	175	DO-35
BZY55B24	500	2	23.52	24.48	5	80	220	1.00	0.1	18	150	0805 (Ceramics)
BZX55B24	500	2	23.52	24.48	5	80	220	1.00	0.1	18	175	DO-35
BZT55B24	500	2	23.52	24.48	5	80	220	1.00	0.1	18	175	MMELF
BZV55B24	500	2	23.52	24.48	5	80	220	1.00	0.1	18		MMELF
MTZJ24SD	500	2	23.63	24.85	5	35	200	0.5	0.2	19	175	DO-34
MTZJ27SA	500	2	24.26	25.52	5	45	250	0.5	0.2	21	175	DO-34
MTZJ27SB	500	2	24.97	26.26	5	45	250	0.5	0.2	21	175	DO-34



## ZENER DIODE

 $(T_A = 25^\circ\text{C}$  unless otherwise noted)

Part Number	$P_D$	Tolerance	$V_Z @ I_{ZT}$ Nom.	$V_Z @ I_{ZT}$ Min.	$V_Z @ I_{ZT}$ Max.	$I_{ZT} @ V_Z$	$Z_{ZT} @ I_{ZT}$	$Z_{ZK} @ I_{ZK}$	$I_R @ V_R$	$I_R @ V_R$	$T_J$ Max.	Package Description
	(mW)	+/- (%)	(V)	(V)	(V)	(mA)	( $\Omega$ )	(mA)	( $\mu\text{A}$ )	(V)	( $^\circ\text{C}$ )	
MTZJ27SC	500	2	25.63	26.95	5	45	250	0.5	0.2	21	175	DO-34
MTZJ27SD	500	2	26.29	27.64	5	45	250	0.5	0.2	21	175	DO-34
BZX79B27	500	2	26.46	27.54	2	80	300	0.50	0.05	18.9	175	DO-35
BZY55B27	500	2	26.46	27.54	5	80	220	1.00	0.1	20	150	0805 (Ceramics)
BZX55B27	500	2	26.46	27.54	5	80	220	1.00	0.1	20	175	DO-35
BZT55B27	500	2	26.46	27.54	5	80	220	1.00	0.1	20	175	MMELF
BZV55B27	500	2	26.46	27.54	5	80	220	1.00	0.1	20		MMELF
MTZJ30SA	500	2	26.99	28.39	5	55	250	0.5	0.2	23	175	DO-34
MTZJ30SB	500	2	27.7	29.13	5	55	250	0.5	0.2	23	175	DO-34
MTZJ30SC	500	2	28.36	29.82	5	55	250	0.5	0.2	23	175	DO-34
MTZJ30SD	500	2	29.02	30.51	5	55	250	0.5	0.2	23	175	DO-34
BZX79B30	500	2	29.4	30.6	2	80	300	0.50	0.05	21	175	DO-35
BZY55B30	500	2	29.4	30.6	5	80	220	1.00	0.1	22	150	0805 (Ceramics)
BZX55B30	500	2	29.4	30.6	5	80	220	1.00	0.1	22	175	DO-35
BZT55B30	500	2	29.4	30.6	5	80	220	1.00	0.1	22	175	MMELF
BZV55B30	500	2	29.4	30.6	5	80	220	1.00	0.1	22		MMELF
MTZJ33SA	500	2	29.68	31.22	5	65	250	0.5	0.2	25	175	DO-34
MTZJ33SB	500	2	30.32	31.88	5	65	250	0.5	0.2	25	175	DO-34
MTZJ33SC	500	2	30.9	32.5	5	65	250	0.5	0.2	25	175	DO-34
MTZJ33SD	500	2	31.49	33.11	5	65	250	0.5	0.2	25	175	DO-34
MTZJ36SA	500	2	32.14	33.79	5	75	250	0.5	0.2	27	175	DO-34
BZX79B33	500	2	32.34	33.66	2	80	325	0.50	0.05	23.1	175	DO-35
BZY55B33	500	2	32.34	33.66	5	80	220	1.00	0.1	24	150	0805 (Ceramics)
BZX55B33	500	2	32.34	33.66	5	80	220	1.00	0.1	24	175	DO-35
BZT55B33	500	2	32.34	33.66	5	80	220	1.00	0.1	24	175	MMELF
BZV55B33	500	2	32.34	33.66	5	80	220	1.00	0.1	24		MMELF
MTZJ36SB	500	2	32.79	34.49	5	75	250	0.5	0.2	27	175	DO-34
MTZJ36SC	500	2	33.4	35.13	5	75	250	0.5	0.2	27	175	DO-34

## ZENER DIODE

 $(T_A = 25^\circ\text{C}$  unless otherwise noted)

Part Number	$P_D$ (mW)	Tolerance +/- (%)	$V_Z @ I_{ZT}$ Nom. (V)	$V_Z @ I_{ZT}$ Min. (V)	$V_Z @ I_{ZT}$ Max. (V)	$I_{ZT} @ V_Z$ (mA)	$Z_{ZT} @ I_{ZT}$ ( $\Omega$ )	$Z_{ZK} @ I_{ZK}$ (mA)	$I_R @ V_R$ ( $\mu\text{A}$ )	$I_R @ V_R$ (V)	$T_J$ Max. ( $^\circ\text{C}$ )	Package Description
MTZJ36SD	500	2	34.01	35.77	5	75	250	0.5	0.2	27	175	DO-34
MTZJ39SA	500	2	34.68	36.47	5	85	250	0.5	0.2	30	175	DO-34
BZX79B36	500	2	35.28	36.72	2	90	350	0.50	0.05	25.2	175	DO-35
BZY55B36	500	2	35.28	36.72	5	80	220	1.00	0.1	27	150	0805 (Ceramics)
BZX55B36	500	2	35.28	36.72	5	80	220	1.00	0.1	27	175	DO-35
BZT55B36	500	2	35.28	36.72	5	80	220	1.00	0.1	27	175	MMELF
BZV55B36	500	2	35.28	36.72	5	80	220	1.00	0.1	27		MMELF
MTZJ39SB	500	2	35.36	37.19	5	85	250	0.5	0.2	30	175	DO-34
MTZJ39SC	500	2	36	37.85	5	85	250	0.5	0.2	30	175	DO-34
MTZJ39SD	500	2	36.63	38.52	5	85	250	0.5	0.2	30	175	DO-34
MTZJ39SE	500	2	37.36	39.29	5	85	250	0.5	0.2	30	175	DO-34
MTZJ39SF	500	2	38.14	40.11	5	85	250	0.5	0.2	30	175	DO-34
BZX79B39	500	2	38.22	39.78	2	130	350	0.50	0.05	27.3	175	DO-35
BZX55B39	500	2	38.22	39.78	2.5	90	500	0.50	0.1	28	175	DO-35
BZT55B39	500	2	38.22	39.78	2.5	90	500	0.50	0.1	28	175	MMELF
BZV55B39	500	2	38.22	39.78	2.5	90	500	0.50	0.1	28		MMELF
MTZJ39SG	500	2	38.94	40.8	5	85	250	0.5	0.2	30	175	DO-34
MTZJ43S	500	2	40	45	5	90	250	0.5	0.2	33	175	DO-34
BZX79B43	500	2	42.14	43.86	2	150	375	0.50	0.05	30.1	175	DO-35
BZX55B43	500	2	42.14	43.86	2.5	90	600	0.50	0.1	32	175	DO-35
BZT55B43	500	2	42.14	43.86	2.5	90	600	0.50	0.1	32	175	MMELF
BZV55B43	500	2	42.14	43.86	2.5	90	600	0.50	0.1	32		MMELF
MTZJ47S	500	2	44	49	5	90	250	0.5	0.2	36	175	DO-34
BZX79B47	500	2	46.06	47.94	2	170	375	0.50	0.05	32.9	175	DO-35
BZX55B47	500	2	46.06	47.94	2.5	110	700	0.50	0.1	35	175	DO-35
BZT55B47	500	2	46.06	47.94	2.5	110	700	0.50	0.1	35	175	MMELF
BZV55B47	500	2	46.06	47.94	2.5	110	700	0.50	0.1	35		MMELF
MTZJ51S	500	2	48	54	5	110	250	0.5	0.2	39	175	DO-34

## ZENER DIODE

 $(T_A = 25^\circ\text{C}$  unless otherwise noted)

Part Number	$P_D$ (mW)	Tolerance +/- (%)	$V_Z @ I_{ZT}$ Nom. (V)	$V_Z @ I_{ZT}$ Min. (V)	$V_Z @ I_{ZT}$ Max. (V)	$I_{ZT} @ V_Z$ (mA)	$Z_{ZT} @ I_{ZT}$ ( $\Omega$ )	$Z_{ZK} @ I_{ZK}$ (mA)	$I_R @ V_R$ ( $\mu\text{A}$ )	$I_R @ V_R$ (V)	$T_J$ Max. ( $^\circ\text{C}$ )	Package Description
BZX79B51	500	2	49.98	52.02	2	180	400	0.50	0.05	35.7	175	DO-35
BZX55B51	500	2	49.98	52.02	2.5	125	700	0.50	0.1	38	175	DO-35
BZT55B51	500	2	49.98	52.02	2.5	125	700	0.50	0.1	38	175	MMELF
BZV55B51	500	2	49.98	52.02	2.5	125	700	0.50	0.1	38		MMELF
MTZJ56S	500	2	53	60	5	110	250	0.5	0.2	43	175	DO-34
BZX79B56	500	2	54.88	57.12	2	200	425	0.50	0.05	39.2	175	DO-35
BZX55B56	500	2	54.88	57.12	2.5	135	1000	0.50	0.1	42	175	DO-35
BZT55B56	500	2	54.88	57.12	2.5	135	1000	0.50	0.1	42	175	MMELF
BZV55B56	500	2	54.88	57.12	2.5	135	1000	0.50	0.1	42		MMELF
BZX55B62	500	2	60.76	63.24	2.5	150	1000	0.50	0.1	47	175	DO-35
BZT55B62	500	2	60.76	63.24	2.5	150	1000	0.50	0.1	47	175	MMELF
BZV55B62	500	2	60.76	63.24	2.5	150	1000	0.50	0.1	47		MMELF
BZX79B62	500	2	60.76	63.24	2.5	215	430	0.50	0.05	43.4	175	DO-35
BZX55B68	500	2	66.64	69.36	2.5	160	1000	0.50	0.1	51	175	DO-35
BZT55B68	500	2	66.64	69.36	2.5	160	1000	0.50	0.1	51	175	MMELF
BZV55B68	500	2	66.64	69.36	2.5	160	1000	0.50	0.1	51		MMELF
BZX79B68	500	2	66.64	69.36	2.5	240	447	0.50	0.05	47.6	175	DO-35
BZX55B75	500	2	73.5	76.5	2.5	170	1000	0.50	0.1	56	175	DO-35
BZT55B75	500	2	73.5	76.5	2.5	170	1000	0.50	0.1	56	175	MMELF
BZV55B75	500	2	73.5	76.5	2.5	170	1000	0.50	0.1	56		MMELF
BZX79B75	500	2	73.5	76.5	2.5	255	470	0.50	0.05	52.5	175	DO-35
BZT52B27	500	2			2	80	282	0.50	0.045	18.9		SOD-123F
BZT52B30	500	2			2	80	282	0.50	0.045	21		SOD-123F
BZT52B33	500	2			2	80	306	0.50	0.045	23		SOD-123F
BZT52B36	500	2			2	90	329	0.50	0.045	25.3		SOD-123F
BZT52B39	500	2			2	130	329	0.50	0.045	27.3		SOD-123F
BZT52B43	500	2			2	150	353	0.50	0.045	30.1		SOD-123F
BZT52B47	500	2			2	170	353	0.50	0.045	33		SOD-123F

## ZENER DIODE

 $(T_A = 25^\circ\text{C}$  unless otherwise noted)

Part Number	$P_D$ (mW)	Tolerance +/- (%)	$V_Z @ I_{ZT}$ Nom. (V)	$V_Z @ I_{ZT}$ Min. (V)	$V_Z @ I_{ZT}$ Max. (V)	$I_{ZT} @ V_Z$ (mA)	$Z_{ZT} @ I_{ZT}$ ( $\Omega$ )	$Z_{ZK} @ I_{ZK}$ (mA)	$I_R @ V_R$ ( $\mu\text{A}$ )	$I_R @ V_R$ (V)	$T_J$ Max. ( $^\circ\text{C}$ )	Package Description
BZT52B51	500	2			2	180	376	0.50	0.045	35.7		SOD-123F
BZT52B56	500	2			2	200	400	0.50	0.045	39.2		SOD-123F
BZT52B62	500	2			2	215	423	0.50	0.045	43.4		SOD-123F
BZT52B68	500	2			2	240	447	0.50	0.045	47.6		SOD-123F
BZT52B75	500	2			2	255	470	0.50	0.045	52.5		SOD-123F
BZT52B6V2	500	2			5	10	141	1.00	2.7	4		SOD-123F
BZT52B8V2	500	2			5	15	75	1.00	0.63	5		SOD-123F
BZT52B7V5	500	2			5	15	75	1.00	0.9	5		SOD-123F
BZT52B6V8	500	2			5	15	75	1.00	1.8	4		SOD-123F
BZT52B9V1	500	2			5	15	94	1.00	0.45	6		SOD-123F
BZT52B11	500	2			5	20	141	1.00	0.09	8		SOD-123F
BZT52B10	500	2			5	20	141	1.00	0.18	7		SOD-123F
BZT52B12	500	2			5	25	141	1.00	0.09	8		SOD-123F
BZT52B13	500	2			5	30	160	1.00	0.09	8		SOD-123F
BZT52B15	500	2			5	30	188	1.00	0.045	10.5		SOD-123F
BZT52B16	500	2			5	40	188	1.00	0.045	11.2		SOD-123F
BZT52B5V6	500	2			5	40	376	1.00	0.9	2		SOD-123F
BZT52B18	500	2			5	45	212	1.00	0.045	12.6		SOD-123F
BZT52B20	500	2			5	55	212	1.00	0.045	14		SOD-123F
BZT52B22	500	2			5	55	235	1.00	0.045	15.4		SOD-123F
BZT52B5V1	500	2			5	60	451	1.00	1.8	2		SOD-123F
BZT52B24	500	2			5	70	235	1.00	0.045	16.8		SOD-123F
BZT52B4V7	500	2			5	80	470	1.00	2.7	2		SOD-123F
BZT52B3V9	500	2			5	90	564	1.00	2.7	1		SOD-123F
BZT52B4V3	500	2			5	90	564	1.00	2.7	1		SOD-123F
BZT52B3V6	500	2			5	90	564	1.00	4.5	1		SOD-123F
BZT52B3V3	500	2			5	95	564	1.00	4.5	1		SOD-123F
BZT52B3V0	500	2			5	100	564	1.00	9	1		SOD-123F

## ZENER DIODE

 $(T_A = 25^\circ\text{C}$  unless otherwise noted)

Part Number	$P_D$	Tolerance	$V_Z @ I_{ZT}$ Nom.	$V_Z @ I_{ZT}$ Min.	$V_Z @ I_{ZT}$ Max.	$I_{ZT} @ V_Z$	$Z_{ZT} @ I_{ZT}$	$Z_{ZK} @ I_{ZK}$	$I_R @ V_R$	$I_R @ V_R$	$T_J$ Max.	Package Description
	(mW)	+/- (%)	(V)	(V)	(V)	(mA)	( $\Omega$ )	(mA)	( $\mu\text{A}$ )	(V)	( $^\circ\text{C}$ )	
BZT52B2V7	500	2			5	100	564	1.00	18	1		SOD-123F
BZT52B2V4	500	2			5	100	564	1.00	45	1		SOD-123F
BZX55C2V0	500	5	1.88	2.11	5	100	600	1.00	100	1	175	DO-35
BZX79C2V0	500	5	1.88	2.12	5	100	600	1.00	150	1	175	DO-35
BZX55C2V2	500	5	2.08	2.33	5	100	600	1.00	100	1	175	DO-35
BZX79C2V2	500	5	2.08	2.33	5	100	600	1.00	150	1	175	DO-35
BZY55C2V4	500	5	2.28	2.52	5	85	600	1.00	50	1	150	0805 (Ceramics)
BZS55C2V4	500	5	2.28	2.52	5	85	600	1.00	50	1	150	1206 (Ceramics)
BZX55C2V4	500	5	2.28	2.56	5	85	600	1.00	50	1	175	DO-35
BZV55C2V4	500	5	2.28	2.56	5	85	600	1.00	50	1		MMELF
BZT55C2V4	500	5	2.28	2.56	5	85	600	1.00	50	1	175	QMMELF
BZX79C2V4	500	5	2.28	2.56	5	100	600	1.00	100	1	175	DO-35
BZX55C2V7	500	5	2.51	2.89	5	85	600	1.00	10	1	175	DO-35
BZV55C2V7	500	5	2.51	2.89	5	85	600	1.00	10	1		MMELF
BZT55C2V7	500	5	2.51	2.89	5	85	600	1.00	10	1	175	QMMELF
BZX79C2V7	500	5	2.51	2.89	5	100	600	1.00	75	1	175	DO-35
BZY55C2V7	500	5	2.57	2.84	5	85	600	1.00	10	1	150	0805 (Ceramics)
BZS55C2V7	500	5	2.57	2.84	5	85	600	1.00	10	1	150	1206 (Ceramics)
BZX55C3V0	500	5	2.8	3.2	5	85	600	1.00	4	1	175	DO-35
BZV55C3V0	500	5	2.8	3.2	5	85	600	1.00	4	1		MMELF
BZT55C3V0	500	5	2.8	3.2	5	85	600	1.00	4	1	175	QMMELF
BZX79C3V0	500	5	2.8	3.2	5	95	600	1.00	50	1	175	DO-35
BZY55C3V0	500	5	2.85	3.15	5	85	600	1.00	4	1	150	0805 (Ceramics)
BZS55C3V0	500	5	2.85	3.15	5	85	600	1.00	4	1	150	1206 (Ceramics)
BZX55C3V3	500	5	3.1	3.5	5	85	600	1.00	2	1	175	DO-35
BZV55C3V3	500	5	3.1	3.5	5	85	600	1.00	2	1		MMELF
BZT55C3V3	500	5	3.1	3.5	5	85	600	1.00	2	1	175	QMMELF
BZX79C3V3	500	5	3.1	3.5	5	95	600	1.00	25	1	175	DO-35

## ZENER DIODE

 $(T_A = 25^\circ\text{C}$  unless otherwise noted)

Part Number	$P_D$ (mW)	Tolerance +/- (%)	$V_Z @ I_{ZT}$ Nom. (V)	$V_Z @ I_{ZT}$ Min. (V)	$V_Z @ I_{ZT}$ Max. (V)	$I_{ZT} @ V_Z$ (mA)	$Z_{ZT} @ I_{ZT}$ ( $\Omega$ )	$Z_{ZK} @ I_{ZK}$ (mA)	$I_R @ V_R$ ( $\mu\text{A}$ )	$I_R @ V_R$ (V)	$T_J$ Max. ( $^\circ\text{C}$ )	Package Description
BZY55C3V3	500	5	3.14	3.47	5	85	600	1.00	2	1	150	0805 (Ceramics)
BZS55C3V3	500	5	3.14	3.47	5	85	600	1.00	2	1	150	1206 (Ceramics)
BZX55C3V6	500	5	3.4	3.8	5	85	600	1.00	2	1	175	DO-35
BZV55C3V6	500	5	3.4	3.8	5	85	600	1.00	2	1		MMELF
BZT55C3V6	500	5	3.4	3.8	5	85	600	1.00	2	1	175	QMMELF
BZX79C3V6	500	5	3.4	3.8	5	90	600	1.00	15	1	175	DO-35
BZY55C3V6	500	5	3.42	3.78	5	85	600	1.00	2	1	150	0805 (Ceramics)
BZS55C3V6	500	5	3.42	3.78	5	85	600	1.00	2	1	150	1206 (Ceramics)
BZX55C3V9	500	5	3.7	4.1	5	85	600	1.00	2	1	175	DO-35
BZV55C3V9	500	5	3.7	4.1	5	85	600	1.00	2	1		MMELF
BZT55C3V9	500	5	3.7	4.1	5	85	600	1.00	2	1	175	QMMELF
BZX79C3V9	500	5	3.7	4.1	5	90	600	1.00	10	1	175	DO-35
BZY55C3V9	500	5	3.71	4.1	5	85	600	1.00	2	1	150	0805 (Ceramics)
BZS55C3V9	500	5	3.71	4.1	5	85	600	1.00	2	1	150	1206 (Ceramics)
BZX55C4V3	500	5	4	4.6	5	75	600	1.00	1	1	175	DO-35
BZV55C4V3	500	5	4	4.6	5	75	600	1.00	1	1		MMELF
BZT55C4V3	500	5	4	4.6	5	75	600	1.00	1	1	175	QMMELF
BZX79C4V3	500	5	4	4.6	5	90	600	1.00	5	1	175	DO-35
BZY55C4V3	500	5	4.09	4.52	5	80	600	1.00	1	1	150	0805 (Ceramics)
BZS55C4V3	500	5	4.09	4.52	5	80	600	1.00	1	1	150	1206 (Ceramics)
BZX55C4V7	500	5	4.4	5	5	60	600	1.00	0.5	1	175	DO-35
BZV55C4V7	500	5	4.4	5	5	60	600	1.00	0.5	1		MMELF
BZT55C4V7	500	5	4.4	5	5	60	600	1.00	0.5	1	175	QMMELF
BZX79C4V7	500	5	4.4	5	5	80	500	1.00	3	2	175	DO-35
BZY55C4V7	500	5	4.47	4.94	5	70	600	1.00	0.5	1	150	0805 (Ceramics)
BZS55C4V7	500	5	4.47	4.94	5	70	600	1.00	0.5	1	150	1206 (Ceramics)
BZX55C5V1	500	5	4.8	5.4	5	35	550	1.00	0.1	1	175	DO-35
BZV55C5V1	500	5	4.8	5.4	5	35	550	1.00	0.1	1		MMELF

## ZENER DIODE

 $(T_A = 25^\circ\text{C}$  unless otherwise noted)

Part Number	$P_D$	Tolerance	$V_Z @ I_{ZT}$ Nom.	$V_Z @ I_{ZT}$ Min.	$V_Z @ I_{ZT}$ Max.	$I_{ZT} @ V_Z$	$Z_{ZT} @ I_{ZT}$	$Z_{ZK} @ I_{ZK}$	$I_R @ V_R$	$I_R @ V_R$	$T_J$ Max.	Package Description
	(mW)	+/- (%)	(V)	(V)	(V)	(mA)	( $\Omega$ )	(mA)	( $\mu\text{A}$ )	(V)	( $^\circ\text{C}$ )	
BZT55C5V1	500	5	4.8	5.4	5	35	550	1.00	0.1	1	175	QMMELF
BZX79C5V1	500	5	4.8	5.4	5	60	480	1.00	2	2	175	DO-35
BZY55C5V1	500	5	4.85	5.36	5	50	550	1.00	0.1	1	150	0805 (Ceramics)
BZS55C5V1	500	5	4.85	5.36	5	50	550	1.00	0.1	1	150	1206 (Ceramics)
BZX55C5V6	500	5	5.2	6	5	25	450	1.00	0.1	1	175	DO-35
BZV55C5V6	500	5	5.2	6	5	25	450	1.00	0.1	1		MMELF
BZT55C5V6	500	5	5.2	6	5	25	450	1.00	0.1	1	175	QMMELF
BZX79C5V6	500	5	5.2	6	5	40	400	1.00	1	2	175	DO-35
BZY55C5V6	500	5	5.32	5.88	5	30	450	1.00	0.1	1	150	0805 (Ceramics)
BZS55C5V6	500	5	5.32	5.88	5	30	450	1.00	0.1	1	150	1206 (Ceramics)
BZX79C6V2	500	5	5.8	6.6	5	10	150	1.00	3	4	175	DO-35
BZX55C6V2	500	5	5.8	6.6	5	10	200	1.00	0.1	2	175	DO-35
BZV55C6V2	500	5	5.8	6.6	5	10	200	1.00	0.1	2		MMELF
BZT55C6V2	500	5	5.8	6.6	5	10	200	1.00	0.1	2	175	QMMELF
BZY55C6V2	500	5	5.89	6.51	5	10	200	1.00	0.1	2	150	0805 (Ceramics)
BZS55C6V2	500	5	5.89	6.51	5	10	200	1.00	0.1	2	150	1206 (Ceramics)
BZX55C6V8	500	5	6.4	7.2	5	8	150	1.00	0.1	3	175	DO-35
BZV55C6V8	500	5	6.4	7.2	5	8	150	1.00	0.1	3		MMELF
BZT55C6V8	500	5	6.4	7.2	5	8	150	1.00	0.1	3	175	QMMELF
BZX79C6V8	500	5	6.4	7.2	5	15	80	1.00	2	4	175	DO-35
BZY55C6V8	500	5	6.46	7.14	5	8	150	1.00	0.1	3	150	0805 (Ceramics)
BZS55C6V8	500	5	6.46	7.14	5	8	150	1.00	0.1	3	150	1206 (Ceramics)
BZX55C7V5	500	5	7	7.9	5	7	50	1.00	0.1	5	175	DO-35
BZV55C7V5	500	5	7	7.9	5	7	50	1.00	0.1	5		MMELF
BZT55C7V5	500	5	7	7.9	5	7	50	1.00	0.1	5	175	QMMELF
BZX79C7V5	500	5	7	7.9	5	15	80	1.00	1	5	175	DO-35
BZY55C7V5	500	5	7.13	7.88	5	7	50	1.00	0.1	5	150	0805 (Ceramics)
BZS55C7V5	500	5	7.13	7.88	5	7	50	1.00	0.1	5	150	1206 (Ceramics)

## ZENER DIODE

 $(T_A = 25^\circ\text{C}$  unless otherwise noted)

Part Number	$P_D$ (mW)	Tolerance +/- (%)	$V_Z @ I_{ZT}$ Nom. (V)	$V_Z @ I_{ZT}$ Min. (V)	$V_Z @ I_{ZT}$ Max. (V)	$I_{ZT} @ V_Z$ (mA)	$Z_{ZT} @ I_{ZT}$ ( $\Omega$ )	$Z_{ZK} @ I_{ZK}$ (mA)	$I_R @ V_R$ ( $\mu\text{A}$ )	$I_R @ V_R$ (V)	$T_J$ Max. ( $^\circ\text{C}$ )	Package Description
BZX55C8V2	500	5	7.7	8.7	5	7	50	1.00	0.1	6.2	175	DO-35
BZV55C8V2	500	5	7.7	8.7	5	7	50	1.00	0.1	6.2		MMELF
BZT55C8V2	500	5	7.7	8.7	5	7	50	1.00	0.1	6.2	175	QMMELF
BZX79C8V2	500	5	7.7	8.7	5	15	80	1.00	0.7	5	175	DO-35
BZY55C8V2	500	5	7.79	8.61	5	7	50	1.00	0.1	6.2	150	0805 (Ceramics)
BZS55C8V2	500	5	7.79	8.61	5	7	50	1.00	0.1	6.2	150	1206 (Ceramics)
BZX55C9V1	500	5	8.5	9.6	5	10	50	1.00	0.1	6.8	175	DO-35
BZV55C9V1	500	5	8.5	9.6	5	10	50	1.00	0.1	6.8		MMELF
BZT55C9V1	500	5	8.5	9.6	5	10	50	1.00	0.1	6.8	175	QMMELF
BZX79C9V1	500	5	8.5	9.6	5	15	100	1.00	0.5	6	175	DO-35
BZY55C9V1	500	5	8.65	9.56	5	10	50	1.00	0.1	6.8	150	0805 (Ceramics)
BZS55C9V1	500	5	8.65	9.56	5	10	50	1.00	0.1	6.8	150	1206 (Ceramics)
BZX55C10	500	5	9.4	10.6	5	15	70	1.00	0.1	7.5	175	DO-35
BZV55C10	500	5	9.4	10.6	5	15	70	1.00	0.1	7.5		MMELF
BZT55C10	500	5	9.4	10.6	5	15	70	1.00	0.1	7.5	175	QMMELF
BZX79C10	500	5	9.4	10.6	5	20	150	1.00	0.2	7	175	DO-35
BZY55C10	500	5	9.5	10.5	5	15	70	1.00	0.1	7.5	150	0805 (Ceramics)
BZS55C10	500	5	9.5	10.5	5	15	70	1.00	0.1	7.5	150	1206 (Ceramics)
BZX55C11	500	5	10.4	11.6	5	20	70	1.00	0.1	8.2	175	DO-35
BZV55C11	500	5	10.4	11.6	5	20	70	1.00	0.1	8.2		MMELF
BZT55C11	500	5	10.4	11.6	5	20	70	1.00	0.1	8.2	175	QMMELF
BZX79C11	500	5	10.4	11.6	5	20	150	1.00	0.1	8	175	DO-35
BZY55C11	500	5	10.45	11.55	5	20	70	1.00	0.1	8.2	150	0805 (Ceramics)
BZS55C11	500	5	10.45	11.55	5	20	70	1.00	0.1	8.2	150	1206 (Ceramics)
BZY55C12	500	5	11.4	12.6	5	20	90	1.00	0.1	9.1	150	0805 (Ceramics)
BZS55C12	500	5	11.4	12.6	5	20	90	1.00	0.1	9.1	150	1206 (Ceramics)
BZX55C12	500	5	11.4	12.7	5	20	90	1.00	0.1	9.1	175	DO-35
BZV55C12	500	5	11.4	12.7	5	20	90	1.00	0.1	9.1		MMELF



## ZENER DIODE

 $(T_A = 25^\circ\text{C}$  unless otherwise noted)

Part Number	$P_D$ (mW)	Tolerance +/- (%)	$V_Z @ I_{ZT}$ Nom. (V)	$V_Z @ I_{ZT}$ Min. (V)	$V_Z @ I_{ZT}$ Max. (V)	$I_{ZT} @ V_Z$ (mA)	$Z_{ZT} @ I_{ZT}$ ( $\Omega$ )	$Z_{ZK} @ I_{ZK}$ (mA)	$I_R @ V_R$ ( $\mu\text{A}$ )	$I_R @ V_R$ (V)	$T_J$ Max. ( $^\circ\text{C}$ )	Package Description
BZT55C12	500	5	11.4	12.7	5	20	90	1.00	0.1	9.1	175	QMMELF
BZX79C12	500	5	11.4	12.7	5	25	150	1.00	0.1	8	175	DO-35
BZY55C13	500	5	12.35	13.65	5	26	110	1.00	0.1	10	150	0805 (Ceramics)
BZS55C13	500	5	12.35	13.65	5	26	110	1.00	0.1	10	150	1206 (Ceramics)
BZX55C13	500	5	12.4	14.1	5	26	110	1.00	0.1	10	175	DO-35
BZV55C13	500	5	12.4	14.1	5	26	110	1.00	0.1	10		MMELF
BZT55C13	500	5	12.4	14.1	5	26	110	1.00	0.1	10	175	QMMELF
BZX79C13	500	5	12.4	14.1	5	30	170	1.00	0.1	8	175	DO-35
BZX55C15	500	5	13.8	15.6	5	30	110	1.00	0.1	11	175	DO-35
BZV55C15	500	5	13.8	15.6	5	30	110	1.00	0.1	11		MMELF
BZT55C15	500	5	13.8	15.6	5	30	110	1.00	0.1	11	175	QMMELF
BZX79C15	500	5	13.8	15.6	5	30	200	1.00	0.05	10.5	175	DO-35
BZY55C15	500	5	14.25	15.75	5	30	110	1.00	0.1	11	150	0805 (Ceramics)
BZS55C15	500	5	14.25	15.75	5	30	110	1.00	0.1	11	150	1206 (Ceramics)
BZY55C16	500	5	15.2	16.8	5	40	170	1.00	0.1	12	150	0805 (Ceramics)
BZS55C16	500	5	15.2	16.8	5	40	170	1.00	0.1	12	150	1206 (Ceramics)
BZX55C16	500	5	15.3	17.1	5	40	170	1.00	0.1	12	175	DO-35
BZV55C16	500	5	15.3	17.1	5	40	170	1.00	0.1	12		MMELF
BZT55C16	500	5	15.3	17.1	5	40	170	1.00	0.1	12	175	QMMELF
BZX79C16	500	5	15.3	17.1	5	40	200	1.00	0.05	11.2	175	DO-35
BZX79C18	500	5	16.8	19.1	5	45	225	1.00	0.05	12.6	175	DO-35
BZV55C18	500	5	16.8	19.1	5	50	170	1.00	0.1	13		MMELF
BZT55C18	500	5	16.8	19.1	5	50	170	1.00	0.1	13	175	QMMELF
BZX55C18	500	5	16.8	19.1	5	50	170	1.00	0.1	14	175	DO-35
BZY55C18	500	5	17.1	18.9	5	50	170	1.00	0.1	13	150	0805 (Ceramics)
BZS55C18	500	5	17.1	18.9	5	50	170	1.00	0.1	13	150	1206 (Ceramics)
BZV55C20	500	5	18.8	21.1	5	55	220	1.00	0.1	15		MMELF
BZT55C20	500	5	18.8	21.1	5	55	220	1.00	0.1	15	175	QMMELF

## ZENER DIODE

 $(T_A = 25^\circ\text{C}$  unless otherwise noted)

Part Number	$P_D$ (mW)	Tolerance +/- (%)	$V_Z @ I_{ZT}$ Nom. (V)	$V_Z @ I_{ZT}$ Min. (V)	$V_Z @ I_{ZT}$ Max. (V)	$I_{ZT} @ V_Z$ (mA)	$Z_{ZT} @ I_{ZT}$ ( $\Omega$ )	$Z_{ZK} @ I_{ZK}$ (mA)	$I_R @ V_R$ ( $\mu\text{A}$ )	$I_R @ V_R$ (V)	$T_J$ Max. ( $^\circ\text{C}$ )	Package Description
BZX55C20	500	5	18.8	21.2	5	55	220	1.00	0.1	15	175	DO-35
BZX79C20	500	5	18.8	21.2	5	55	225	1.00	0.05	14	175	DO-35
BZY55C20	500	5	19	21	5	55	220	1.00	0.1	15	150	0805 (Ceramics)
BZS55C20	500	5	19	21	5	55	220	1.00	0.1	15	150	1206 (Ceramics)
BZV55C22	500	5	20.8	23.3	5	55	220	1.00	0.1	16		MMELF
BZT55C22	500	5	20.8	23.3	5	55	220	1.00	0.1	16	175	QMMELF
BZX55C22	500	5	20.8	23.3	5	55	220	1.00	0.1	17	175	DO-35
BZX79C22	500	5	20.8	23.3	5	55	250	1.00	0.05	15.4	175	DO-35
BZY55C22	500	5	20.9	23.1	5	55	220	1.00	0.1	16	150	0805 (Ceramics)
BZS55C22	500	5	20.9	23.1	5	55	220	1.00	0.1	16	150	1206 (Ceramics)
BZY55C24	500	5	22.8	25.2	5	80	220	1.00	0.1	18	150	0805 (Ceramics)
BZS55C24	500	5	22.8	25.2	5	80	220	1.00	0.1	18	150	1206 (Ceramics)
BZX79C24	500	5	22.8	25.6	5	70	250	1.00	0.05	16.8	175	DO-35
BZX55C24	500	5	22.8	25.6	5	80	220	1.00	0.1	18	175	DO-35
BZV55C24	500	5	22.8	25.6	5	80	220	1.00	0.1	18		MMELF
BZT55C24	500	5	22.8	25.6	5	80	220	1.00	0.1	18	175	QMMELF
BZX79C27	500	5	25.1	28.9	2	80	300	0.50	0.05	18.9	175	DO-35
BZX55C27	500	5	25.1	28.9	5	80	220	1.00	0.1	20	175	DO-35
BZV55C27	500	5	25.1	28.9	5	80	220	1.00	0.1	20		MMELF
BZT55C27	500	5	25.1	28.9	5	80	220	1.00	0.1	20	175	QMMELF
BZY55C27	500	5	25.65	28.35	5	80	220	1.00	0.1	20	150	0805 (Ceramics)
BZS55C27	500	5	25.65	28.35	5	80	220	1.00	0.1	20	150	1206 (Ceramics)
BZX79C30	500	5	28	32	2	80	300	0.50	0.05	21	175	DO-35
BZX55C30	500	5	28	32	5	80	220	1.00	0.1	22	175	DO-35
BZV55C30	500	5	28	32	5	80	220	1.00	0.1	22		MMELF
BZT55C30	500	5	28	32	5	80	220	1.00	0.1	22	175	QMMELF
BZY55C30	500	5	28.5	31.5	5	80	220	1.00	0.1	22	150	0805 (Ceramics)
BZS55C30	500	5	28.5	31.5	5	80	220	1.00	0.1	22	150	1206 (Ceramics)

## ZENER DIODE

 $(T_A = 25^\circ\text{C}$  unless otherwise noted)

Part Number	$P_D$	Tolerance	$V_Z @ I_{ZT}$ Nom.	$V_Z @ I_{ZT}$ Min.	$V_Z @ I_{ZT}$ Max.	$I_{ZT} @ V_Z$	$Z_{ZT} @ I_{ZT}$	$Z_{ZK} @ I_{ZK}$	$I_R @ V_R$	$I_R @ V_R$	$T_J$ Max.	Package Description
	(mW)	+/- (%)	(V)	(V)	(V)	(mA)	( $\Omega$ )	(mA)	( $\mu\text{A}$ )	(V)	( $^\circ\text{C}$ )	
BZX79C33	500	5	31	35	2	80	325	0.50	0.05	23.1	175	DO-35
BZX55C33	500	5	31	35	5	80	220	1.00	0.1	24	175	DO-35
BZV55C33	500	5	31	35	5	80	220	1.00	0.1	24		MMELF
BZT55C33	500	5	31	35	5	80	220	1.00	0.1	24	175	QMMELF
BZY55C33	500	5	31.35	34.65	5	80	220	1.00	0.1	24	150	0805 (Ceramics)
BZS55C33	500	5	31.35	34.65	5	80	220	1.00	0.1	24	150	1206 (Ceramics)
BZX79C36	500	5	34	38	2	90	350	0.50	0.05	25.2	175	DO-35
BZX55C36	500	5	34	38	5	80	220	1.00	0.1	27	175	DO-35
BZV55C36	500	5	34	38	5	80	220	1.00	0.1	27		MMELF
BZT55C36	500	5	34	38	5	80	220	1.00	0.1	27	175	QMMELF
BZY55C36	500	5	34.2	37.8	5	80	220	1.00	0.1	27	150	0805 (Ceramics)
BZS55C36	500	5	34.2	37.8	5	80	220	1.00	0.1	27	150	1206 (Ceramics)
BZX79C39	500	5	37	41	2	130	350	0.50	0.05	27.3	175	DO-35
BZX55C39	500	5	37	41	2.5	90	500	0.50	0.1	28	175	DO-35
BZV55C39	500	5	37	41	2.5	90	500	0.50	0.1	28		MMELF
BZT55C39	500	5	37	41	2.5	90	500	0.50	0.1	28	175	QMMELF
BZX79C43	500	5	40	46	2	150	375	0.50	0.05	30.1	175	DO-35
BZX55C43	500	5	40	46	2.5	90	600	0.50	0.1	32	175	DO-35
BZV55C43	500	5	40	46	2.5	90	600	0.50	0.1	32		MMELF
BZT55C43	500	5	40	46	2.5	90	600	0.50	0.1	32	175	QMMELF
BZX79C47	500	5	44	50	2	170	375	0.50	0.05	32.9	175	DO-35
BZX55C47	500	5	44	50	2.5	110	700	0.50	0.1	35	175	DO-35
BZV55C47	500	5	44	50	2.5	110	700	0.50	0.1	35		MMELF
BZT55C47	500	5	44	50	2.5	110	700	0.50	0.1	35	175	QMMELF
BZX79C51	500	5	48	54	2	180	400	0.50	0.05	35.7	175	DO-35
BZX55C51	500	5	48	54	2.5	125	700	0.50	0.1	38	175	DO-35
BZV55C51	500	5	48	54	2.5	125	700	0.50	0.1	38		MMELF
BZT55C51	500	5	48	54	2.5	125	700	0.50	0.1	38	175	QMMELF

## ZENER DIODE

 $(T_A = 25^\circ\text{C}$  unless otherwise noted)

Part Number	$P_D$	Tolerance	$V_Z @ I_{ZT}$ Nom.	$V_Z @ I_{ZT}$ Min.	$V_Z @ I_{ZT}$ Max.	$I_{ZT} @ V_Z$	$Z_{ZT} @ I_{ZT}$	$Z_{ZK} @ I_{ZK}$	$I_R @ V_R$	$I_R @ V_R$	$T_J$ Max.	Package Description
	(mW)	+/- (%)	(V)	(V)	(V)	(mA)	( $\Omega$ )	(mA)	( $\mu\text{A}$ )	(V)	( $^\circ\text{C}$ )	
BZX79C56	500	5	52	60	2	200	425	0.50	0.05	39.2	175	DO-35
BZX55C56	500	5	52	60	2.5	135	1000	0.50	0.1	42	175	DO-35
BZV55C56	500	5	52	60	2.5	135	1000	0.50	0.1	42		MMELF
BZT55C56	500	5	52	60	2.5	135	1000	0.50	0.1	42	175	QMMELF
BZX55C62	500	5	58	66	2.5	150	1000	0.50	0.1	47	175	DO-35
BZV55C62	500	5	58	66	2.5	150	1000	0.50	0.1	47		MMELF
BZT55C62	500	5	58	66	2.5	150	1000	0.50	0.1	47	175	QMMELF
BZX79C62	500	5	58	66	2.5	215	1000	0.50	0.05	43.4	175	DO-35
BZX55C68	500	5	64	72	2.5	160	1000	0.50	0.1	51	175	DO-35
BZV55C68	500	5	64	72	2.5	160	1000	0.50	0.1	51		MMELF
BZT55C68	500	5	64	72	2.5	160	1000	0.50	0.1	51	175	QMMELF
BZX79C68	500	5	64	72	2.5	240	1000	0.50	0.05	47.6	175	DO-35
BZT55C75	500	5	70	79	2.5	170	1000	0.50	0.1	56	175	QMMELF
BZX55C75	500	5	70	80	2.5	170	1000	0.50	0.1	56	175	DO-35
BZV55C75	500	5	70	80	2.5	170	1000	0.50	0.1	56		MMELF
BZX79C75	500	5	70	80	2.5	255	1000	0.50	0.05	52.5	175	DO-35
BZT52C27	500	5			2	80	282	0.50	0.045	18.9		SOD-123F
BZT52C30	500	5			2	80	282	0.50	0.045	21		SOD-123F
BZT52C33	500	5			2	80	306	0.50	0.045	23		SOD-123F
BZT52C36	500	5			2	90	329	0.50	0.045	25.2		SOD-123F
BZT52C39	500	5			2	130	329	0.50	0.045	27.3		SOD-123F
BZT52C43	500	5			2	150	353	0.50	0.045	30.1		SOD-123F
BZT52C47	500	5			2	170	353	0.50	0.045	33		SOD-123F
BZT52C51	500	5			2	180	376	0.50	0.045	35.7		SOD-123F
BZT52C56	500	5			2	200	400	0.50	0.045	39.2		SOD-123F
BZT52C62	500	5			2	215	423	0.50	0.045	43.4		SOD-123F
BZT52C68	500	5			2	240	447	0.50	0.045	47.6		SOD-123F
BZT52C75	500	5			2	255	470	0.50	0.045	52.5		SOD-123F

## ZENER DIODE

 $(T_A = 25^\circ\text{C}$  unless otherwise noted)

Part Number	$P_D$ (mW)	Tolerance +/- (%)	$V_Z @ I_{ZT}$ Nom. (V)	$V_Z @ I_{ZT}$ Min. (V)	$V_Z @ I_{ZT}$ Max. (V)	$I_{ZT} @ V_Z$ (mA)	$Z_{ZT} @ I_{ZT}$ ( $\Omega$ )	$Z_{ZK} @ I_{ZK}$ (mA)	$I_R @ V_R$ ( $\mu\text{A}$ )	$I_R @ V_R$ (V)	$T_J$ Max. ( $^\circ\text{C}$ )	Package Description
1N5263B	500	5			2.2	150	1300	0.25	0.1	43	200	DO-35
1N5262B	500	5			2.5	125	1100	0.25	0.1	39	200	DO-35
MMSZ5262B	500	5			2.5	125	1100	0.25	0.1	39	150	SOD-123F
1N5261B	500	5			2.7	105	1000	0.25	0.1	36	200	DO-35
MMSZ5261B	500	5			2.7	105	1000	0.25	0.1	36	150	SOD-123F
1N5260B	500	5			3	93	900	0.25	0.1	33	200	DO-35
MMSZ5260B	500	5			3	93	900	0.25	0.1	33	150	SOD-123F
1N5259B	500	5			3.2	80	800	0.25	0.1	30	200	DO-35
MMSZ5259B	500	5			3.2	80	800	0.25	0.1	30	150	SOD-123F
1N5258B	500	5			3.4	70	700	0.25	0.1	27	200	DO-35
MMSZ5258B	500	5			3.4	70	700	0.25	0.1	27	150	SOD-123F
1N5257B	500	5			3.8	58	700	0.25	0.1	25	200	DO-35
MMSZ5257B	500	5			3.8	58	700	0.25	0.1	25	150	SOD-123F
1N5256B	500	5			4.2	49	600	0.25	0.1	23	200	DO-35
MMSZ5256B	500	5			4.2	49	600	0.25	0.1	23	150	SOD-123F
1N5255B	500	5			4.5	44	600	0.25	0.1	21	200	DO-35
1N5254B	500	5			4.6	41	600	0.25	0.1	21	200	DO-35
MMSZ5254B	500	5			4.6	41	600	0.25	0.1	21	150	SOD-123F
BZT52C6V2	500	5			5	10	141	1.00	2.7	4		SOD-123F
BZT52C8V2	500	5			5	15	75	1.00	0.63	5		SOD-123F
BZT52C7V5	500	5			5	15	75	1.00	0.9	5		SOD-123F
BZT52C6V8	500	5			5	15	75	1.00	1.8	4		SOD-123F
BZT52C9V1	500	5			5	15	94	1.00	0.45	6		SOD-123F
BZT52C11	500	5			5	20	141	1.00	0.09	8		SOD-123F
BZT52C10	500	5			5	20	141	1.00	0.18	7		SOD-123F
BZT52C12	500	5			5	25	141	1.00	0.09	8		SOD-123F
BZT52C13	500	5			5	30	160	1.00	0.09	8		SOD-123F
BZT52C15	500	5			5	30	188	1.00	0.045	10.5		SOD-123F

## ZENER DIODE

 $(T_A = 25^\circ\text{C}$  unless otherwise noted)

Part Number	$P_D$ (mW)	Tolerance +/- (%)	$V_Z @ I_{ZT}$ Nom. (V)	$V_Z @ I_{ZT}$ Min. (V)	$V_Z @ I_{ZT}$ Max. (V)	$I_{ZT} @ V_Z$ (mA)	$Z_{ZT} @ I_{ZT}$ ( $\Omega$ )	$Z_{ZK} @ I_{ZK}$ (mA)	$I_R @ V_R$ ( $\mu\text{A}$ )	$I_R @ V_R$ (V)	$T_J$ Max. ( $^\circ\text{C}$ )	Package Description
1N5253B	500	5			5	35	600	0.25	0.1	18	200	DO-35
BZT52C16	500	5			5	40	188	1.00	0.045	11.2		SOD-123F
BZT52C5V6	500	5			5	40	376	1.00	0.9	2		SOD-123F
BZT52C18	500	5			5	45	212	1.00	0.045	12.6		SOD-123F
BZT52C20	500	5			5	55	212	1.00	0.045	14		SOD-123F
BZT52C22	500	5			5	55	235	1.00	0.045	15.4		SOD-123F
BZT52C5V1	500	5			5	60	451	1.00	1.8	2		SOD-123F
BZT52C24	500	5			5	70	235	1.00	0.045	16.8		SOD-123F
BZT52C4V7	500	5			5	80	470	1.00	2.7	2		SOD-123F
BZT52C3V9	500	5			5	90	564	1.00	2.7	1		SOD-123F
BZT52C4V3	500	5			5	90	564	1.00	2.7	1		SOD-123F
BZT52C3V6	500	5			5	90	564	1.00	4.5	1		SOD-123F
BZT52C3V3	500	5			5	95	564	1.00	4.5	1		SOD-123F
BZT52C3V0	500	5			5	100	564	1.00	9	1		SOD-123F
BZT52C2V7	500	5			5	100	564	1.00	18	1		SOD-123F
BZT52C2V4	500	5			5	100	564	1.00	45	1		SOD-123F
1N5252B	500	5			5.2	33	600	0.25	0.1	18	200	DO-35
MMSZ5252B	500	5			5.2	33	600	0.25	0.1	18	150	SOD-123F
1N5251B	500	5			5.6	29	600	0.25	0.1	17	200	DO-35
MMSZ5251B	500	5			5.6	29	600	0.25	0.1	17	150	SOD-123F
1N5250B	500	5			6.2	25	600	0.25	0.1	15	200	DO-35
MMSZ5250B	500	5			6.2	25	600	0.25	0.1	15	150	SOD-123F
1N5249B	500	5			6.6	23	600	0.25	0.1	14	200	DO-35
1N5248B	500	5			7	21	600	0.25	0.1	14	200	DO-35
MMSZ5248B	500	5			7	21	600	0.25	0.1	14	150	SOD-123F
1N5247B	500	5			7.4	19	600	0.25	0.1	13	200	DO-35
1N5246B	500	5			7.8	17	600	0.25	0.1	12	200	DO-35
MMSZ5246B	500	5			7.8	17	600	0.25	0.1	12	150	SOD-123F

## ZENER DIODE

 $(T_A = 25^\circ\text{C}$  unless otherwise noted)

Part Number	$P_D$ (mW)	Tolerance +/- (%)	$V_Z @ I_{ZT}$ Nom. (V)	$V_Z @ I_{ZT}$ Min. (V)	$V_Z @ I_{ZT}$ Max. (V)	$I_{ZT} @ V_Z$ (mA)	$Z_{ZT} @ I_{ZT}$ ( $\Omega$ )	$Z_{ZK} @ I_{ZK}$ (mA)	$I_R @ V_R$ ( $\mu\text{A}$ )	$I_R @ V_R$ (V)	$T_J$ Max. ( $^\circ\text{C}$ )	Package Description
1N5245B	500	5			8.5	16	600	0.25	0.1	11	200	DO-35
MMSZ5245B	500	5			8.5	16	600	0.25	0.1	11	150	SOD-123F
1N5244B	500	5			9	15	600	0.25	0.1	10	200	DO-35
MMSZ5244B	500	5			9	15	600	0.25	0.1	10	150	SOD-123F
1N5243B	500	5			9.5	13	600	0.25	0.1	10	200	DO-35
MMSZ5243B	500	5			9.5	13	600	0.25	0.5	9.9	150	SOD-123F
1N5235B	500	5			20	5	750	0.25	3	5	200	DO-35
MMSZ5235B	500	5			20	5	750	0.25	3	5	150	SOD-123F
1N5236B	500	5			20	6	500	0.25	3	6	200	DO-35
MMSZ5236B	500	5			20	6	500	0.25	3	6	150	SOD-123F
1N5234B	500	5			20	7	1000	0.25	5	4	200	DO-35
MMSZ5234B	500	5			20	7	1000	0.25	5	4	150	SOD-123F
1N5233B	500	5			20	7	1600	0.25	5	3.5	200	DO-35
1N5237B	500	5			20	8	500	0.25	3	6.5	200	DO-35
MMSZ5237B	500	5			20	8	500	0.25	3	6.5	150	SOD-123F
1N5238B	500	5			20	8	600	0.25	3	6.5	200	DO-35
1N5239B	500	5			20	10	600	0.25	3	7	200	DO-35
MMSZ5239B	500	5			20	10	600	0.25	3	7	150	SOD-123F
1N5232B	500	5			20	11	1600	0.25	5	3	200	DO-35
MMSZ5232B	500	5			20	11	1600	0.25	5	3	150	SOD-123F
1N5240B	500	5			20	17	600	0.25	2	8	200	DO-35
MMSZ5240B	500	5			20	17	600	0.25	3	8	150	SOD-123F
1N5231B	500	5			20	17	1600	0.25	5	2	200	DO-35
MMSZ5231B	500	5			20	17	1600	0.25	5	2	150	SOD-123F
1N5230B	500	5			20	19	1900	0.25	5	2	200	DO-35
MMSZ5230B	500	5			20	19	1900	0.25	5	2	150	SOD-123F
1N5241B	500	5			20	22	600	0.25	1	8.4	200	DO-35
MMSZ5241B	500	5			20	22	600	0.25	2	8.4	150	SOD-123F

## ZENER DIODE

 $(T_A = 25^\circ\text{C}$  unless otherwise noted)

Part Number	$P_D$ (mW)	Tolerance +/- (%)	$V_Z @ I_{ZT}$ Nom. (V)	$V_Z @ I_{ZT}$ Min. (V)	$V_Z @ I_{ZT}$ Max. (V)	$I_{ZT} @ V_Z$ (mA)	$Z_{ZT} @ I_{ZT}$ ( $\Omega$ )	$Z_{ZK} @ I_{ZK}$ (mA)	$I_R @ V_R$ ( $\mu\text{A}$ )	$I_R @ V_R$ (V)	$T_J$ Max. ( $^\circ\text{C}$ )	Package Description
1N5229B	500	5			20	22	2000	0.25	5	1	200	DO-35
MMSZ5229B	500	5			20	22	2000	0.25	5	1	150	SOD-123F
1N5228B	500	5			20	23	1900	0.25	10	1	200	DO-35
MMSZ5228B	500	5			20	23	1900	0.25	10	1	150	SOD-123F
1N5227B	500	5			20	24	1700	0.25	15	1	200	DO-35
MMSZ5227B	500	5			20	24	1700	0.25	15	1	150	SOD-123F
1N5226B	500	5			20	28	1600	0.25	25	1	200	DO-35
MMSZ5226B	500	5			20	28	1600	0.25	25	1	150	SOD-123F
1N5225B	500	5			20	29	1600	0.25	50	1	200	DO-35
MMSZ5225B	500	5			20	29	1600	0.25	50	1	150	SOD-123F
1N5242B	500	5			20	30	600	0.25	0.5	9	200	DO-35
MMSZ5242B	500	5			20	30	600	0.25	1	9.1	150	SOD-123F
1N5221B	500	5			20	30	1200	0.25	100	1	200	DO-35
MMSZ5221B	500	5			20	30	1200	0.25	100	1	150	SOD-123F
1N5222B	500	5			20	30	1250	0.25	100	1	200	DO-35
1N5223B	500	5			20	30	1300	0.25	75	1	200	DO-35
1N5224B	500	5			20	30	1400	0.25	75	1	200	DO-35
1PGSMA4740	1,000	5	9.5	10.5	25		700	0.25	5	7.6	175	DO-214AC (SMA)
1PGSMA4740H •	1,000	5	9.5	10.5	25		700	0.25	5	7.6	175	DO-214AC (SMA)
1N4740A •	1,000	5	9.5	10.5	25		700	0.25	10	7.6	150	DO-204AL (DO-41)
1N4741A •	1,000	5	10.45	11.55	23		700	0.25	5	8.4	150	DO-204AL (DO-41)
1PGSMA4741	1,000	5	10.5	11.6	23		700	0.25	1	8.4	175	DO-214AC (SMA)
1PGSMA4741H •	1,000	5	10.5	11.6	23		700	0.25	1	8.4	175	DO-214AC (SMA)
BZD27C11PW	1,000	5	10.5	11.6	50	7	700	0.25	4	8.2	175	SOD-123W
BZD27C11PWH •	1,000	5	10.5	11.6	50	7	700	0.25	4	8.2	175	SOD-123W
1PGSMA4742	1,000	5	11.4	12.6	21		700	0.25	1	9.1	175	DO-214AC (SMA)
1PGSMA4742H •	1,000	5	11.4	12.6	21		700	0.25	1	9.1	175	DO-214AC (SMA)
1N4742A •	1,000	5	11.4	12.6	21		700	0.25	5	9.1	150	DO-204AL (DO-41)



## ZENER DIODE

 $(T_A = 25^\circ\text{C}$  unless otherwise noted)

Part Number	$P_D$ (mW)	Tolerance +/- (%)	$V_Z @ I_{ZT}$ Nom. (V)	$V_Z @ I_{ZT}$ Min. (V)	$V_Z @ I_{ZT}$ Max. (V)	$I_{ZT} @ V_Z$ (mA)	$Z_{ZT} @ I_{ZT}$ ( $\Omega$ )	$Z_{ZK} @ I_{ZK}$ (mA)	$I_R @ V_R$ ( $\mu\text{A}$ )	$I_R @ V_R$ (V)	$T_J$ Max. ( $^\circ\text{C}$ )	Package Description
BZD27C12PW	1,000	5	11.4	12.6	50	7	700	0.25	3	9.1	175	SOD-123W
BZD27C12PWH •	1,000	5	11.4	12.6	50	7	700	0.25	3	9.1	175	SOD-123W
1N4743A •	1,000	5	12.35	13.65	19		700	0.25	5	9.9	150	DO-204AL (DO-41)
1PGSMA4743	1,000	5	12.4	13.7	19		700	0.25	1	9.9	175	DO-214AC (SMA)
1PGSMA4743H •	1,000	5	12.4	13.7	19		700	0.25	1	9.9	175	DO-214AC (SMA)
BZD27C13PW	1,000	5	12.4	13.7	50	10	700	0.25	2	10	175	SOD-123W
BZD27C13PWH •	1,000	5	12.4	13.7	50	10	700	0.25	2	10	175	SOD-123W
1N4744A •	1,000	5	14.25	15.75	17		700	0.25	5	11.4	150	DO-204AL (DO-41)
1PGSMA4744	1,000	5	14.3	15.8	17		700	0.25	1	11.4	175	DO-214AC (SMA)
1PGSMA4744H •	1,000	5	14.3	15.8	17		700	0.25	1	11.4	175	DO-214AC (SMA)
BZD27C15PW	1,000	5	14.3	15.8	50	10	700	0.25	1	11	175	SOD-123W
BZD27C15PWH •	1,000	5	14.3	15.8	50	10	700	0.25	1	11	175	SOD-123W
1PGSMA4745	1,000	5	15.2	16.8	15.5		700	0.25	1	12.2	175	DO-214AC (SMA)
1PGSMA4745H •	1,000	5	15.2	16.8	15.5		700	0.25	1	12.2	175	DO-214AC (SMA)
1N4745A •	1,000	5	15.2	16.8	15.5		700	0.25	5	12.2	150	DO-204AL (DO-41)
BZD27C16PW	1,000	5	15.2	16.8	25	15	700	0.25	1	12	175	SOD-123W
BZD27C16PWH •	1,000	5	15.2	16.8	25	15	700	0.25	1	12	175	SOD-123W
1PGSMA4746	1,000	5	17.1	18.9	14		750	0.25	1	13.7	175	DO-214AC (SMA)
1PGSMA4746H •	1,000	5	17.1	18.9	14		750	0.25	1	13.7	175	DO-214AC (SMA)
1N4746A •	1,000	5	17.1	18.9	14		750	0.25	5	13.7	150	DO-204AL (DO-41)
BZD27C18PW	1,000	5	17.1	18.9	25	15	750	0.25	1	13	175	SOD-123W
BZD27C18PWH •	1,000	5	17.1	18.9	25	15	750	0.25	1	13	175	SOD-123W
1PGSMA4747	1,000	5	19	21	12.5		750	0.25	1	15.2	175	DO-214AC (SMA)
1PGSMA4747H •	1,000	5	19	21	12.5		750	0.25	1	15.2	175	DO-214AC (SMA)
1N4747A •	1,000	5	19	21	12.5		750	0.25	5	15.2	150	DO-204AL (DO-41)
BZD27C20PW	1,000	5	19	21	25	15	750	0.25	1	15	175	SOD-123W
BZD27C20PWH •	1,000	5	19	21	25	15	750	0.25	1	15	175	SOD-123W
1PGSMA4748	1,000	5	20.9	23.1	11.5		750	0.25	1	16.7	175	DO-214AC (SMA)

## ZENER DIODE

 $(T_A = 25^\circ\text{C}$  unless otherwise noted)

Part Number	$P_D$ (mW)	Tolerance +/- (%)	$V_Z @ I_{ZT}$ Nom. (V)	$V_Z @ I_{ZT}$ Min. (V)	$V_Z @ I_{ZT}$ Max. (V)	$I_{ZT} @ V_Z$ (mA)	$Z_{ZT} @ I_{ZT}$ ( $\Omega$ )	$Z_{ZK} @ I_{ZK}$ (mA)	$I_R @ V_R$ ( $\mu\text{A}$ )	$I_R @ V_R$ (V)	$T_J$ Max. ( $^\circ\text{C}$ )	Package Description
1PGSMA4748H •	1,000	5	20.9	23.1	11.5		750	0.25	1	16.7	175	DO-214AC (SMA)
1N4748A •	1,000	5	20.9	23.1	11.5		750	0.25	5	16.7	150	DO-204AL (DO-41)
BZD27C22PW	1,000	5	20.9	23.1	25	15	750	0.25	1	16	175	SOD-123W
BZD27C22PWH •	1,000	5	20.9	23.1	25	15	750	0.25	1	16	175	SOD-123W
1PGSMA4749	1,000	5	22.8	25.2	10.5		750	0.25	1	18.2	175	DO-214AC (SMA)
1PGSMA4749H •	1,000	5	22.8	25.2	10.5		750	0.25	1	18.2	175	DO-214AC (SMA)
1N4749A •	1,000	5	22.8	25.2	10.5		750	0.25	5	18.2	150	DO-204AL (DO-41)
BZD27C24PW	1,000	5	22.8	25.2	25	15	750	0.25	1	18	175	SOD-123W
BZD27C24PWH •	1,000	5	22.8	25.2	25	15	750	0.25	1	18	175	SOD-123W
1N4750A •	1,000	5	25.65	28.35	9.5		750	0.25	5	20.6	150	DO-204AL (DO-41)
1PGSMA4750	1,000	5	25.7	28.4	9.5		750	0.25	1	20.6	175	DO-214AC (SMA)
1PGSMA4750H •	1,000	5	25.7	28.4	9.5		750	0.25	1	20.6	175	DO-214AC (SMA)
BZD27C27PW	1,000	5	25.7	28.4	25	15	1000	0.25	1	20	175	SOD-123W
BZD27C27PWH •	1,000	5	25.7	28.4	25	15	1000	0.25	1	20	175	SOD-123W
1PGSMA4751	1,000	5	28.5	31.5	8.5		1000	0.25	1	22.8	175	DO-214AC (SMA)
1PGSMA4751H •	1,000	5	28.5	31.5	8.5		1000	0.25	1	22.8	175	DO-214AC (SMA)
1N4751A •	1,000	5	28.5	31.5	8.5		1000	0.25	5	22.8	150	DO-204AL (DO-41)
BZD27C30PW	1,000	5	28.5	31.5	25	15	1000	0.25	1	22	175	SOD-123W
BZD27C30PWH •	1,000	5	28.5	31.5	25	15	1000	0.25	1	22	175	SOD-123W
1N4752A •	1,000	5	31.35	34.65	7.5		1000	0.25	5	25.1	150	DO-204AL (DO-41)
1PGSMA4752	1,000	5	31.4	34.7	7.5		1000	0.25	1	25.1	175	DO-214AC (SMA)
1PGSMA4752H •	1,000	5	31.4	34.7	7.5		1000	0.25	1	25.1	175	DO-214AC (SMA)
BZD27C33PW	1,000	5	31.4	34.7	25	15	1000	0.25	1	24	175	SOD-123W
BZD27C33PWH •	1,000	5	31.4	34.7	25	15	1000	0.25	1	24	175	SOD-123W
1PGSMA4753	1,000	5	34.2	37.8	7.0		1000	0.25	1	27.4	175	DO-214AC (SMA)
1PGSMA4753H •	1,000	5	34.2	37.8	7.0		1000	0.25	1	27.4	175	DO-214AC (SMA)
1N4753A •	1,000	5	34.2	37.8	7		1000	0.25	5	27.4	150	DO-204AL (DO-41)
BZD27C36PW	1,000	5	34.2	37.8	10	40	1000	0.25	1	27	175	SOD-123W

## ZENER DIODE

 $(T_A = 25^\circ\text{C}$  unless otherwise noted)

Part Number	$P_D$ (mW)	Tolerance +/- (%)	$V_z @ I_{zT}$ Nom. (V)	$V_z @ I_{zT}$ Min. (V)	$V_z @ I_{zT}$ Max. (V)	$I_{zT} @ V_z$ (mA)	$Z_{zT} @ I_{zT}$ ( $\Omega$ )	$Z_{zK} @ I_{zK}$ (mA)	$I_R @ V_R$ ( $\mu\text{A}$ )	$I_R @ V_R$ (V)	$T_J$ Max. ( $^\circ\text{C}$ )	Package Description
BZD27C36PWH •	1,000	5	34.2	37.8	10	40	1000	0.25	1	27	175	SOD-123W
1N4754A •	1,000	5	37.05	40.95	6.5		1000	0.25	5	29.7	150	DO-204AL (DO-41)
1PGSMA4754	1,000	5	37.1	41	6.5		1000	0.25	1	29.7	175	DO-214AC (SMA)
1PGSMA4754H •	1,000	5	37.1	41	6.5		1000	0.25	1	29.7	175	DO-214AC (SMA)
BZD27C39PW	1,000	5	37.1	41	10	40	1000	0.25	1	30	175	SOD-123W
BZD27C39PWH •	1,000	5	37.1	41	10	40	1000	0.25	1	30	175	SOD-123W
1N4755A •	1,000	5	40.85	45.15	6		1500	0.25	5	32.7	150	DO-204AL (DO-41)
1PGSMA4755	1,000	5	40.9	45.2	6.0		1500	0.25	1	32.7	175	DO-214AC (SMA)
1PGSMA4755H •	1,000	5	40.9	45.2	6.0		1500	0.25	1	32.7	175	DO-214AC (SMA)
BZD27C43PW	1,000	5	40.9	45.2	10	45	1500	0.25	1	33	175	SOD-123W
BZD27C43PWH •	1,000	5	40.9	45.2	10	45	1500	0.25	1	33	175	SOD-123W
1N4756A •	1,000	5	44.65	49.35	5.5		1500	0.25	5	35.8	150	DO-204AL (DO-41)
1PGSMA4756	1,000	5	44.7	49.4	5.5		1500	0.25	1	35.8	175	DO-214AC (SMA)
1PGSMA4756H •	1,000	5	44.7	49.4	5.5		1500	0.25	1	35.8	175	DO-214AC (SMA)
BZD27C47PW	1,000	5	44.7	49.4	10	45	1500	0.25	1	36	175	SOD-123W
BZD27C47PWH •	1,000	5	44.7	49.4	10	45	1500	0.25	1	36	175	SOD-123W
1N4757A •	1,000	5	48.45	53.55	5		1500	0.25	5	38.8	150	DO-204AL (DO-41)
1PGSMA4757	1,000	5	48.5	53.6	5.0		1500	0.25	1	38.8	175	DO-214AC (SMA)
1PGSMA4757H •	1,000	5	48.5	53.6	5.0		1500	0.25	1	38.8	175	DO-214AC (SMA)
BZD27C51PW	1,000	5	48.5	53.6	10	60	1500	0.25	1	39	175	SOD-123W
BZD27C51PWH •	1,000	5	48.5	53.6	10	60	1500	0.25	1	39	175	SOD-123W
1PGSMA4758	1,000	5	53.2	58.8	4.5		2000	0.25	1	42.6	175	DO-214AC (SMA)
1PGSMA4758H •	1,000	5	53.2	58.8	4.5		2000	0.25	1	42.6	175	DO-214AC (SMA)
1N4758A •	1,000	5	53.2	58.8	4.5		2000	0.25	5	42.6	150	DO-204AL (DO-41)
BZD27C56PW	1,000	5	53.2	58.8	10	60	2000	0.25	1	43	175	SOD-123W
BZD27C56PWH •	1,000	5	53.2	58.8	10	60	2000	0.25	1	43	175	SOD-123W
1PGSMA4759	1,000	5	58.9	65.1	4.0		2000	0.25	1	47.1	175	DO-214AC (SMA)
1PGSMA4759H •	1,000	5	58.9	65.1	4.0		2000	0.25	1	47.1	175	DO-214AC (SMA)

## ZENER DIODE

 $(T_A = 25^\circ\text{C}$  unless otherwise noted)

Part Number	$P_D$ (mW)	Tolerance +/- (%)	$V_Z @ I_{ZT}$ Nom. (V)	$V_Z @ I_{ZT}$ Min. (V)	$V_Z @ I_{ZT}$ Max. (V)	$I_{ZT} @ V_Z$ (mA)	$Z_{ZT} @ I_{ZT}$ ( $\Omega$ )	$Z_{ZK} @ I_{ZK}$ (mA)	$I_R @ V_R$ ( $\mu\text{A}$ )	$I_R @ V_R$ (V)	$T_J$ Max. ( $^\circ\text{C}$ )	Package Description
1N4759A ●	1,000	5	58.9	65.1	4		2000	0.25	5	47.1	150	DO-204AL (DO-41)
BZD27C62PW	1,000	5	58.9	65.1	10	80	2000	0.25	1	47	175	SOD-123W
BZD27C62PWH ●	1,000	5	58.9	65.1	10	80	2000	0.25	1	47	175	SOD-123W
1PGSMA4760	1,000	5	64.6	71.4	3.7		2000	0.25	1	51.7	175	DO-214AC (SMA)
1PGSMA4760H ●	1,000	5	64.6	71.4	3.7		2000	0.25	1	51.7	175	DO-214AC (SMA)
1N4760A ●	1,000	5	64.6	71.4	3.7		2000	0.25	5	51.7	150	DO-204AL (DO-41)
BZD27C68PW	1,000	5	64.6	71.4	10	80	2000	0.25	1	51	175	SOD-123W
BZD27C68PWH ●	1,000	5	64.6	71.4	10	80	2000	0.25	1	51	175	SOD-123W
1N4761A ●	1,000	5	71.25	78.75	3.3		2000	0.25	5	56	150	DO-204AL (DO-41)
1PGSMA4761	1,000	5	71.3	78.8	3.3		2000	0.25	1	56	175	DO-214AC (SMA)
1PGSMA4761H ●	1,000	5	71.3	78.8	3.3		2000	0.25	1	56	175	DO-214AC (SMA)
BZD27C75PW	1,000	5	71.3	78.8	10	100	2000	0.25	1	56	175	SOD-123W
BZD27C75PWH ●	1,000	5	71.3	78.8	10	100	2000	0.25	1	56	175	SOD-123W
1PGSMA4762	1,000	5	77.9	86.1	3.0		3000	0.25	1	62.2	175	DO-214AC (SMA)
1PGSMA4762H ●	1,000	5	77.9	86.1	3.0		3000	0.25	1	62.2	175	DO-214AC (SMA)
BZD27C82PW	1,000	5	77.9	86.1	10	200	3000	0.25	1	62	175	SOD-123W
BZD27C82PWH ●	1,000	5	77.9	86.1	10	200	3000	0.25	1	62	175	SOD-123W
1N4762A ●	1,000	5	77.9	87	3		3000	0.25	5	62.2	150	DO-204AL (DO-41)
1N4763A ●	1,000	5	86.45	95.55	2.8		3000	0.25	5	69.2	150	DO-204AL (DO-41)
1PGSMA4763	1,000	5	86.5	95.6	2.8		3000	0.25	1	69.2	175	DO-214AC (SMA)
1PGSMA4763H ●	1,000	5	86.5	95.6	2.8		3000	0.25	1	69.2	175	DO-214AC (SMA)
BZD27C91PW	1,000	5	86.5	95.6	5	200	3000	0.25	1	68	175	SOD-123W
BZD27C91PWH ●	1,000	5	86.5	95.6	5	200	3000	0.25	1	68	175	SOD-123W
1PGSMA4764	1,000	5	95	105	2.5		3000	0.25	1	76	175	DO-214AC (SMA)
1PGSMA4764H ●	1,000	5	95	105	2.5		3000	0.25	1	76	175	DO-214AC (SMA)
1N4764A ●	1,000	5	95	105	2.5		3000	0.25	5	76	150	DO-204AL (DO-41)
BZD27C100PW	1,000	5	95	105	5	200	3000	0.25	1	75	175	SOD-123W
BZD27C100PWH ●	1,000	5	95	105	5	200	3000	0.25	1	75	175	SOD-123W

## ZENER DIODE

 $(T_A = 25^\circ\text{C}$  unless otherwise noted)

Part Number	$P_D$ (mW)	Tolerance +/- (%)	$V_Z @ I_{ZT}$ Nom. (V)	$V_Z @ I_{ZT}$ Min. (V)	$V_Z @ I_{ZT}$ Max. (V)	$I_{ZT} @ V_Z$ (mA)	$Z_{ZT} @ I_{ZT}$ ( $\Omega$ )	$Z_{ZK} @ I_{ZK}$ (mA)	$I_R @ V_R$ ( $\mu\text{A}$ )	$I_R @ V_R$ (V)	$T_J$ Max. ( $^\circ\text{C}$ )	Package Description
1PGSMA110Z	1,000	5	104.5	115.5	2.3		4000	0.25	1	83.6	175	DO-214AC (SMA)
1PGSMA110ZH •	1,000	5	104.5	115.5	2.3		4000	0.25	1	83.6	175	DO-214AC (SMA)
1M110Z •	1,000	5	104.5	115.5	2.3		4000	0.25	5	83.6	150	DO-204AL (DO-41)
BZD27C110PW	1,000	5	104.5	115.5	5	250	4000	0.25	1	82	175	SOD-123W
BZD27C110PWH •	1,000	5	104.5	115.5	5	250	4000	0.25	1	82	175	SOD-123W
1PGSMA120Z	1,000	5	114	126	2.0		4500	0.25	1	91.2	175	DO-214AC (SMA)
1PGSMA120ZH •	1,000	5	114	126	2.0		4500	0.25	1	91.2	175	DO-214AC (SMA)
1M120Z •	1,000	5	114	126	2		4500	0.25	5	91.2	150	DO-204AL (DO-41)
BZD27C120PW	1,000	5	114	126	5	300	4500	0.25	1	91	175	SOD-123W
BZD27C120PWH •	1,000	5	114	126	5	300	4500	0.25	1	91	175	SOD-123W
1PGSMA130Z	1,000	5	123.5	136.5	1.9		5000	0.25	1	98.8	175	DO-214AC (SMA)
1PGSMA130ZH •	1,000	5	123.5	136.5	1.9		5000	0.25	1	98.8	175	DO-214AC (SMA)
1M130Z •	1,000	5	123.5	136.5	1.9		5000	0.25	5	98.8	150	DO-204AL (DO-41)
BZD27C130PW	1,000	5	123.5	136.5	5	300	5000	0.25	1	100	175	SOD-123W
BZD27C130PWH •	1,000	5	123.5	136.5	5	300	5000	0.25	1	100	175	SOD-123W
1PGSMA150Z	1,000	5	142.5	157.5	1.7		6000	0.25	1	114	175	DO-214AC (SMA)
1PGSMA150ZH •	1,000	5	142.5	157.5	1.7		6000	0.25	1	114	175	DO-214AC (SMA)
1M150Z •	1,000	5	142.5	157.5	1.7		6000	0.25	5	114	150	DO-204AL (DO-41)
BZD27C150PW	1,000	5	142.5	157.5	5	300	6000	0.25	1	110	175	SOD-123W
BZD27C150PWH •	1,000	5	142.5	157.5	5	300	6000	0.25	1	110	175	SOD-123W
1PGSMA160Z	1,000	5	152	168	1.6		6500	0.25	1	121.6	175	DO-214AC (SMA)
1PGSMA160ZH •	1,000	5	152	168	1.6		6500	0.25	1	121.6	175	DO-214AC (SMA)
1M160Z •	1,000	5	152	168	1.6		6500	0.25	5	121.6	150	DO-204AL (DO-41)
BZD27C160PW	1,000	5	152	168	5	350	6500	0.25	1	120	175	SOD-123W
BZD27C160PWH •	1,000	5	152	168	5	350	6500	0.25	1	120	175	SOD-123W
1PGSMA180Z	1,000	5	171	189	1.4		7000	0.25	1	136.8	175	DO-214AC (SMA)
1PGSMA180ZH •	1,000	5	171	189	1.4		7000	0.25	1	136.8	175	DO-214AC (SMA)
1M180Z •	1,000	5	171	189	1.4		7000	0.25	5	136.8	150	DO-204AL (DO-41)

## ZENER DIODE

(T<sub>A</sub>=25°C unless otherwise noted)

Part Number	P <sub>D</sub> (mW)	Tolerance +/- (%)	V <sub>Z</sub> @ I <sub>ZT</sub> Nom. (V)	V <sub>Z</sub> @ I <sub>ZT</sub> Min. (V)	V <sub>Z</sub> @ I <sub>ZT</sub> Max. (V)	I <sub>ZT</sub> @ V <sub>Z</sub> (mA)	Z <sub>ZT</sub> @ I <sub>ZT</sub> (Ω)	Z <sub>ZK</sub> @ I <sub>ZK</sub> (mA)	I <sub>R</sub> @ V <sub>R</sub> (μA)	I <sub>R</sub> @ V <sub>R</sub> (V)	T <sub>J</sub> Max. (°C)	Package Description
BZD27C180PW	1,000	5	171	189	5	450	7000	0.25	1	130	175	SOD-123W
BZD27C180PWH •	1,000	5	171	189	5	450	7000	0.25	1	130	175	SOD-123W
1PGSMA200Z	1,000	5	190	210	1.2		8000	0.25	1	152	175	DO-214AC (SMA)
1PGSMA200ZH •	1,000	5	190	210	1.2		8000	0.25	1	152	175	DO-214AC (SMA)
1M200Z •	1,000	5	190	210	1.2		8000	0.25	5	152	150	DO-204AL (DO-41)
BZD27C200PW	1,000	5	190	210	5	750	8000	0.25	1	150	175	SOD-123W
BZD27C200PWH •	1,000	5	190	210	5	750	8000	0.25	1	150	175	SOD-123W
BZD27C220PW	1,000	5	209	231	5	900	8500	0.25	1	160	175	SOD-123W
BZD27C220PWH •	1,000	5	209	231	5	900	8500	0.25	1	160	175	SOD-123W
ZM4758A	1,000	5			4.5	110	2000	0.25	5	42.6	175	MELF
1N4758G	1,000	5			4.5	110	2000	0.25		42.6	200	DO-204AL (DO-41)
ZM4757A	1,000	5			5	95	1500	0.25	5	38.8	175	MELF
1N4757G	1,000	5			5	95	1500	0.25		38.8	200	DO-204AL (DO-41)
ZM4756A	1,000	5			5.5	80	1500	0.25	5	35.8	175	MELF
1N4756G	1,000	5			5.5	80	1500	0.25		35.8	200	DO-204AL (DO-41)
ZM4755A	1,000	5			6	70	1500	0.25	5	32.7	175	MELF
1N4755G	1,000	5			6	70	1500	0.25		32.7	200	DO-204AL (DO-41)
ZM4754A	1,000	5			6.5	60	1000	0.25	5	29.7	175	MELF
1N4754G	1,000	5			6.5	60	1000	0.25		29.7	200	DO-204AL (DO-41)
ZM4753A	1,000	5			7	50	1000	0.25	5	27.4	175	MELF
1N4753G	1,000	5			7	50	1000	0.25		27.4	200	DO-204AL (DO-41)
ZM4752A	1,000	5			7.5	45	1000	0.25	5	25.1	175	MELF
1N4752G	1,000	5			7.5	45	1000	0.25		25.1	200	DO-204AL (DO-41)
ZM4751A	1,000	5			8.5	40	1000	0.25	5	22.8	175	MELF
1N4751G	1,000	5			8.5	40	1000	0.25		22.8	200	DO-204AL (DO-41)
ZM4750A	1,000	5			9.5	35	750	0.25	5	20.6	175	MELF
1N4750G	1,000	5			9.5	35	750	0.25		20.6	200	DO-204AL (DO-41)
ZM4749A	1,000	5			10.5	25	750	0.25	5	18.2	175	MELF

## ZENER DIODE

 $(T_A = 25^\circ\text{C}$  unless otherwise noted)

Part Number	$P_D$ (mW)	Tolerance +/- (%)	$V_Z @ I_{ZT}$ Nom. (V)	$V_Z @ I_{ZT}$ Min. (V)	$V_Z @ I_{ZT}$ Max. (V)	$I_{ZT} @ V_Z$ (mA)	$Z_{ZT} @ I_{ZT}$ ( $\Omega$ )	$Z_{ZK} @ I_{ZK}$ (mA)	$I_R @ V_R$ ( $\mu\text{A}$ )	$I_R @ V_R$ (V)	$T_J$ Max. ( $^\circ\text{C}$ )	Package Description
1N4749G	1,000	5			10.5	25	750	0.25		18.2	200	DO-204AL (DO-41)
1N4748G	1,000	5			11.5	23	750	0.25	5	16.7	200	DO-204AL (DO-41)
ZM4748A	1,000	5			11.5	23	750	0.25	5	16.7	175	MELF
1N4747G	1,000	5			12.5	22	750	0.25	5	15.2	200	DO-204AL (DO-41)
ZM4747A	1,000	5			12.5	22	750	0.25	5	15.2	175	MELF
1N4746G	1,000	5			14	20	700	0.25	5	13.7	200	DO-204AL (DO-41)
ZM4746A	1,000	5			14	20	700	0.25	5	13.7	175	MELF
1N4745G	1,000	5			15.5	16	700	0.25	5	12.2	200	DO-204AL (DO-41)
ZM4745A	1,000	5			15.5	16	700	0.25	5	12.2	175	MELF
1N4744G	1,000	5			17	14	700	0.25	5	11.4	200	DO-204AL (DO-41)
ZM4744A	1,000	5			17	14	700	0.25	5	11.4	175	MELF
1N4743G	1,000	5			19	10	700	0.25	5	9.9	200	DO-204AL (DO-41)
ZM4743A	1,000	5			19	10	700	0.25	5	9.9	175	MELF
1N4742G	1,000	5			21	9	700	0.25	5	9.1	200	DO-204AL (DO-41)
ZM4742A	1,000	5			21	9	700	0.25	5	9.1	175	MELF
1N4741G	1,000	5			23	8	700	0.25	5	8.4	200	DO-204AL (DO-41)
ZM4741A	1,000	5			23	8	700	0.25	5	8.4	175	MELF
1N4740G	1,000	5			25	7	700	0.25	5	7.6	200	DO-204AL (DO-41)
ZM4740A	1,000	5			25	7	700	0.25	10	7.6	175	MELF
1N4739G	1,000	5			28	5	700	0.50	10	7	200	DO-204AL (DO-41)
ZM4739A	1,000	5			28	5	700	0.50	10	7	175	MELF
1N4738G	1,000	5			31	4.5	700	0.50	10	6	200	DO-204AL (DO-41)
ZM4738A	1,000	5			31	4.5	700	0.50	10	6	175	MELF
1N4737G	1,000	5			34	4	700	0.50	10	5	200	DO-204AL (DO-41)
ZM4737A	1,000	5			34	4	700	0.50	10	5	175	MELF
1N4736G	1,000	5			37	3.5	700	1.00	10	4	200	DO-204AL (DO-41)
ZM4736A	1,000	5			37	3.5	700	1.00	10	4	175	MELF
1N4735G	1,000	5			41	2	700	1.00	10	3	200	DO-204AL (DO-41)

## ZENER DIODE

 $(T_A = 25^\circ\text{C}$  unless otherwise noted)

Part Number	$P_D$ (mW)	Tolerance +/- (%)	$V_Z @ I_{ZT}$ Nom. (V)	$V_Z @ I_{ZT}$ Min. (V)	$V_Z @ I_{ZT}$ Max. (V)	$I_{ZT} @ V_Z$ (mA)	$Z_{ZT} @ I_{ZT}$ ( $\Omega$ )	$Z_{ZK} @ I_{ZK}$ (mA)	$I_R @ V_R$ ( $\mu\text{A}$ )	$I_R @ V_R$ (V)	$T_J$ Max. ( $^\circ\text{C}$ )	Package Description
ZM4735A	1,000	5			41	2	700	1.00	10	3	175	MELF
ZM4734A	1,000	5			45	5	600	1.00	10	2	175	MELF
1N4734G	1,000	5			45	5	700	1.00	10	2	200	DO-204AL (DO-41)
ZM4733A	1,000	5			49	7	550	1.00	10	1	175	MELF
1N4733G	1,000	5			49	7	600	1.00	10	1	200	DO-204AL (DO-41)
ZM4732A	1,000	5			53	8	500	1.00	10	1	175	MELF
1N4732G	1,000	5			53	8	550	1.00	10	1	200	DO-204AL (DO-41)
1N4731G	1,000	5			58	9	400	1.00	10	1	200	DO-204AL (DO-41)
ZM4731A	1,000	5			58	9	400	1.00	10	1	175	MELF
1N4730G	1,000	5			64	9	400	1.00	50	1	200	DO-204AL (DO-41)
ZM4730A	1,000	5			64	9	400	1.00	50	1	175	MELF
1N4729G	1,000	5			69	10	400	1.00	100	1	200	DO-204AL (DO-41)
ZM4729A	1,000	5			69	10	400	1.00	100	1	175	MELF
1N4728G	1,000	5			76	10	400	1.00	100	1	200	DO-204AL (DO-41)
ZM4728A	1,000	5			76	10	400	1.00	100	1	175	MELF
BZD27C10P	1,000	6	9.4	10.6	50				7	7.5	175	Sub SMA
BZD27C10PH •	1,000	6	9.4	10.6	50				7	7.5	175	Sub SMA
1SMA200Z	1,250	5			1.2		8000	0.25	1	152	175	DO-214AC (SMA)
1SMA200ZH •	1,250	5			1.2		8000	0.25	1	152	175	DO-214AC (SMA)
1SMA180Z	1,250	5			1.4		7000	0.25	1	136.8	175	DO-214AC (SMA)
1SMA180ZH •	1,250	5			1.4		7000	0.25	1	136.8	175	DO-214AC (SMA)
1SMA160Z	1,250	5			1.6		6500	0.25	1	121.6	175	DO-214AC (SMA)
1SMA160ZH •	1,250	5			1.6		6500	0.25	1	121.6	175	DO-214AC (SMA)
1SMA150Z	1,250	5			1.7		6000	0.25	1	114	175	DO-214AC (SMA)
1SMA150ZH •	1,250	5			1.7		6000	0.25	1	114	175	DO-214AC (SMA)
1SMA130Z	1,250	5			1.9		5000	0.25	1	98.8	175	DO-214AC (SMA)
1SMA130ZH •	1,250	5			1.9		5000	0.25	1	98.8	175	DO-214AC (SMA)
1SMA120Z	1,250	5			2		4500	0.25	1	91.2	175	DO-214AC (SMA)



## ZENER DIODE

 $(T_A = 25^\circ\text{C}$  unless otherwise noted)

Part Number	$P_D$ (mW)	Tolerance +/- (%)	$V_Z @ I_{ZT}$ Nom. (V)	$V_Z @ I_{ZT}$ Min. (V)	$V_Z @ I_{ZT}$ Max. (V)	$I_{ZT} @ V_Z$ (mA)	$Z_{ZT} @ I_{ZT}$ ( $\Omega$ )	$Z_{ZK} @ I_{ZK}$ (mA)	$I_R @ V_R$ ( $\mu\text{A}$ )	$I_R @ V_R$ (V)	$T_J$ Max. ( $^\circ\text{C}$ )	Package Description
1SMA120ZH •	1,250	5			2		4500	0.25	1	91.2	175	DO-214AC (SMA)
1SMA110Z	1,250	5			2.3		4000	0.25	1	83.6	175	DO-214AC (SMA)
1SMA110ZH •	1,250	5			2.3		4000	0.25	1	83.6	175	DO-214AC (SMA)
1SMA4764	1,250	5			2.5		3000	0.25	1	76	175	DO-214AC (SMA)
1SMA4764H •	1,250	5			2.5		3000	0.25	1	76	175	DO-214AC (SMA)
1SMA4763	1,250	5			2.8		3000	0.25	1	69.2	175	DO-214AC (SMA)
1SMA4763H •	1,250	5			2.8		3000	0.25	1	69.2	175	DO-214AC (SMA)
1SMA4762	1,250	5			3		3000	0.25	1	62.2	175	DO-214AC (SMA)
1SMA4762H •	1,250	5			3		3000	0.25	1	62.2	175	DO-214AC (SMA)
1SMA4761	1,250	5			3.3		2000	0.25	1	56	175	DO-214AC (SMA)
1SMA4761H •	1,250	5			3.3		2000	0.25	1	56	175	DO-214AC (SMA)
1SMA4760	1,250	5			3.7		2000	0.25	1	51.7	175	DO-214AC (SMA)
1SMA4760H •	1,250	5			3.7		2000	0.25	1	51.7	175	DO-214AC (SMA)
1SMA4759	1,250	5			4		2000	0.25	1	47.1	175	DO-214AC (SMA)
1SMA4759H •	1,250	5			4		2000	0.25	1	47.1	175	DO-214AC (SMA)
1SMA4758	1,250	5			4.5		2000	0.25	1	42.6	175	DO-214AC (SMA)
1SMA4758H •	1,250	5			4.5		2000	0.25	1	42.6	175	DO-214AC (SMA)
1SMA4757	1,250	5			5		1500	0.25	1	38.8	175	DO-214AC (SMA)
1SMA4757H •	1,250	5			5		1500	0.25	1	38.8	175	DO-214AC (SMA)
1SMA4756	1,250	5			5.5		1500	0.25	1	35.8	175	DO-214AC (SMA)
1SMA4756H •	1,250	5			5.5		1500	0.25	1	35.8	175	DO-214AC (SMA)
1SMA4755	1,250	5			6		1500	0.25	1	32.7	175	DO-214AC (SMA)
1SMA4755H •	1,250	5			6		1500	0.25	1	32.7	175	DO-214AC (SMA)
1SMA4754	1,250	5			6.5		1000	0.25	1	29.7	175	DO-214AC (SMA)
1SMA4754H •	1,250	5			6.5		1000	0.25	1	29.7	175	DO-214AC (SMA)
1SMA4753	1,250	5			7		1000	0.25	1	27.4	175	DO-214AC (SMA)
1SMA4753H •	1,250	5			7		1000	0.25	1	27.4	175	DO-214AC (SMA)
1SMA4752	1,250	5			7.5		1000	0.25	1	25.1	175	DO-214AC (SMA)

## ZENER DIODE

 $(T_A = 25^\circ\text{C}$  unless otherwise noted)

Part Number	$P_D$ (mW)	Tolerance +/- (%)	$V_Z @ I_{ZT}$ Nom. (V)	$V_Z @ I_{ZT}$ Min. (V)	$V_Z @ I_{ZT}$ Max. (V)	$I_{ZT} @ V_Z$ (mA)	$Z_{ZT} @ I_{ZT}$ ( $\Omega$ )	$Z_{ZK} @ I_{ZK}$ (mA)	$I_R @ V_R$ ( $\mu\text{A}$ )	$I_R @ V_R$ (V)	$T_J$ Max. ( $^\circ\text{C}$ )	Package Description
1SMA4752H •	1,250	5			7.5		1000	0.25	1	25.1	175	DO-214AC (SMA)
1SMA4751	1,250	5			8.5		1000	0.25	1	22.8	175	DO-214AC (SMA)
1SMA4751H •	1,250	5			8.5		1000	0.25	1	22.8	175	DO-214AC (SMA)
1SMA4750	1,250	5			9.5		750	0.25	1	20.6	175	DO-214AC (SMA)
1SMA4750H •	1,250	5			9.5		750	0.25	1	20.6	175	DO-214AC (SMA)
1SMA4749	1,250	5			10.5		750	0.25	1	18.2	175	DO-214AC (SMA)
1SMA4749H •	1,250	5			10.5		750	0.25	1	18.2	175	DO-214AC (SMA)
1SMA4748	1,250	5			11.5		750	0.25	1	16.7	175	DO-214AC (SMA)
1SMA4748H •	1,250	5			11.5		750	0.25	1	16.7	175	DO-214AC (SMA)
1SMA4747	1,250	5			12.5		750	0.25	1	15.2	175	DO-214AC (SMA)
1SMA4747H •	1,250	5			12.5		750	0.25	1	15.2	175	DO-214AC (SMA)
1SMA4746	1,250	5			14		750	0.25	1	13.7	175	DO-214AC (SMA)
1SMA4746H •	1,250	5			14		750	0.25	1	13.7	175	DO-214AC (SMA)
1SMA4745	1,250	5			15.5		700	0.25	1	12.2	175	DO-214AC (SMA)
1SMA4745H •	1,250	5			15.5		700	0.25	1	12.2	175	DO-214AC (SMA)
1SMA4744	1,250	5			17		700	0.25	1	11.4	175	DO-214AC (SMA)
1SMA4744H •	1,250	5			17		700	0.25	1	11.4	175	DO-214AC (SMA)
1SMA4743	1,250	5			19		700	0.25	1	9.9	175	DO-214AC (SMA)
1SMA4743H •	1,250	5			19		700	0.25	1	9.9	175	DO-214AC (SMA)
1SMA4742	1,250	5			21		700	0.25	1	9.1	175	DO-214AC (SMA)
1SMA4742H •	1,250	5			21		700	0.25	1	9.1	175	DO-214AC (SMA)
1SMA4741	1,250	5			23		700	0.25	1	8.4	175	DO-214AC (SMA)
1SMA4741H •	1,250	5			23		700	0.25	1	8.4	175	DO-214AC (SMA)
1SMA4740	1,250	5			25		700	0.25	5	7.6	175	DO-214AC (SMA)
1SMA4740H •	1,250	5			25		700	0.25	5	7.6	175	DO-214AC (SMA)
1SMA4739	1,250	5			28		700	0.5	5	7	175	DO-214AC (SMA)
1SMA4739H •	1,250	5			28		700	0.5	5	7	175	DO-214AC (SMA)
1SMA4738	1,250	5			31		700	0.5	5	6	175	DO-214AC (SMA)

## ZENER DIODE

 $(T_A=25^\circ\text{C}$  unless otherwise noted)

Part Number	$P_D$ (mW)	Tolerance +/- (%)	$V_Z @ I_{ZT}$ Nom. (V)	$V_Z @ I_{ZT}$ Min. (V)	$V_Z @ I_{ZT}$ Max. (V)	$I_{ZT} @ V_Z$ (mA)	$Z_{ZT} @ I_{ZT}$ ( $\Omega$ )	$Z_{ZK} @ I_{ZK}$ (mA)	$I_R @ V_R$ ( $\mu\text{A}$ )	$I_R @ V_R$ (V)	$T_J$ Max. ( $^\circ\text{C}$ )	Package Description
1SMA4738H •	1,250	5			31		700	0.5	5	6	175	DO-214AC (SMA)
1SMA4737	1,250	5			34		700	0.5	5	5	175	DO-214AC (SMA)
1SMA4737H •	1,250	5			34		700	0.5	5	5	175	DO-214AC (SMA)
BZX85C3V3	1,300	5	3.1	3.5	80	20	400	1.00	40	1	200	DO-204AL (DO-41)
BZX85C3V6	1,300	5	3.4	3.8	60	20	500	1.00	20	1	200	DO-204AL (DO-41)
BZX85C3V9	1,300	5	3.7	4.1	60	15	500	1.00	20	1	200	DO-204AL (DO-41)
BZX85C4V3	1,300	5	4	4.6	50	13	500	1.00	3	1	200	DO-204AL (DO-41)
BZX85C4V7	1,300	5	4.4	5	45	13	500	1.00	3	1	200	DO-204AL (DO-41)
BZX85C5V1	1,300	5	4.8	5.4	45	10	500	1.00	1	1.5	200	DO-204AL (DO-41)
BZX85C5V6	1,300	5	5.2	6	45	7	400	1.00	1	2	200	DO-204AL (DO-41)
BZX85C6V2	1,300	5	5.8	6.6	35	4	300	1.00	1	3	200	DO-204AL (DO-41)
BZX85C6V8	1,300	5	6.4	7.2	35	3.5	300	1.00	1	4	200	DO-204AL (DO-41)
BZX85C7V5	1,300	5	7	7.9	35	3	200	0.50	1	4.5	200	DO-204AL (DO-41)
BZX85C8V2	1,300	5	7.7	8.7	25	5	200	0.50	1	6.2	200	DO-204AL (DO-41)
BZX85C9V1	1,300	5	8.5	9.6	25	5	200	0.50	1	6.9	200	DO-204AL (DO-41)
BZX85C10	1,300	5	9.4	10.6	25	7	200	0.50	0.5	7.5	200	DO-204AL (DO-41)
BZX85C11	1,300	5	10.4	11.6	20	8	300	0.50	0.5	8.2	200	DO-204AL (DO-41)
BZX85C12	1,300	5	11.4	12.7	20	9	350	0.50	0.5	9.1	200	DO-204AL (DO-41)
BZX85C13	1,300	5	12.4	14.1	20	10	400	0.50	0.5	10	200	DO-204AL (DO-41)
BZX85C15	1,300	5	13.8	15.6	15	15	500	0.50	0.5	11	200	DO-204AL (DO-41)
BZX85C16	1,300	5	15.3	17.1	15	15	500	0.50	0.5	12	200	DO-204AL (DO-41)
BZX85C18	1,300	5	16.8	19.1	15	20	500	0.50	0.5	13	200	DO-204AL (DO-41)
BZX85C20	1,300	5	18.8	21.2	10	24	600	0.50	0.5	15	200	DO-204AL (DO-41)
BZX85C22	1,300	5	20.8	23.3	10	25	600	0.50	0.5	16	200	DO-204AL (DO-41)
BZX85C24	1,300	5	22.8	25.6	10	25	600	0.50	0.5	18	200	DO-204AL (DO-41)
BZX85C27	1,300	5	25.1	28.9	8	30	750	0.25	0.5	20	200	DO-204AL (DO-41)
BZX85C30	1,300	5	28	32	8	30	1000	0.25	0.5	22	200	DO-204AL (DO-41)
BZX85C33	1,300	5	31	35	8	35	1000	0.25	0.5	24	200	DO-204AL (DO-41)

## ZENER DIODE

 $(T_A = 25^\circ\text{C}$  unless otherwise noted)

Part Number	$P_D$ (mW)	Tolerance +/- (%)	$V_Z @ I_{ZT}$ Nom. (V)	$V_Z @ I_{ZT}$ Min. (V)	$V_Z @ I_{ZT}$ Max. (V)	$I_{ZT} @ V_Z$ (mA)	$Z_{ZT} @ I_{ZT}$ ( $\Omega$ )	$Z_{ZK} @ I_{ZK}$ (mA)	$I_R @ V_R$ ( $\mu\text{A}$ )	$I_R @ V_R$ (V)	$T_J$ Max. ( $^\circ\text{C}$ )	Package Description
BZX85C36	1,300	5	34	38	8	40	1000	0.25	0.5	25	200	DO-204AL (DO-41)
BZX85C39	1,300	5	37	41	6	45	1000	0.25	0.5	27	200	DO-204AL (DO-41)
BZX85C43	1,300	5	40	46	6	50	1000	0.25	0.5	30	200	DO-204AL (DO-41)
BZX85C47	1,300	5	44	50	4	90	1500	0.25	0.5	33	200	DO-204AL (DO-41)
BZX85C51	1,300	5	48	54	4	115	1500	0.25	0.5	36	200	DO-204AL (DO-41)
BZX85C56	1,300	5	52	60	4	120	2000	0.25	0.5	39	200	DO-204AL (DO-41)
1SMA5926	1,500	5	10.45	11.55	34.1		550	0.25	0.5	8.4	150	DO-214AC (SMA)
1SMA5926H •	1,500	5	10.45	11.55	34.1		550	0.25	0.5	8.4	150	DO-214AC (SMA)
1SMA5927	1,500	5	11.4	12.6	31.2		550	0.25	0.5	9.1	150	DO-214AC (SMA)
1SMA5927H •	1,500	5	11.4	12.6	31.2		550	0.25	0.5	9.1	150	DO-214AC (SMA)
1SMA5928	1,500	5	12.35	13.65	28.8		550	0.25	0.5	9.9	150	DO-214AC (SMA)
1SMA5928H •	1,500	5	12.35	13.65	28.8		550	0.25	0.5	9.9	150	DO-214AC (SMA)
1SMA5929	1,500	5	14.25	15.75	25		600	0.25	0.5	11.4	150	DO-214AC (SMA)
1SMA5929H •	1,500	5	14.25	15.75	25		600	0.25	0.5	11.4	150	DO-214AC (SMA)
1SMA5930	1,500	5	15.2	16.8	23.4		600	0.25	0.5	12.2	150	DO-214AC (SMA)
1SMA5930H •	1,500	5	15.2	16.8	23.4		600	0.25	0.5	12.2	150	DO-214AC (SMA)
1SMA5931	1,500	5	17.1	18.9	20.8		650	0.25	0.5	13.7	150	DO-214AC (SMA)
1SMA5931H •	1,500	5	17.1	18.9	20.8		650	0.25	0.5	13.7	150	DO-214AC (SMA)
1SMA5932	1,500	5	19	21	18.7		650	0.25	0.5	15.2	150	DO-214AC (SMA)
1SMA5932H •	1,500	5	19	21	18.7		650	0.25	0.5	15.2	150	DO-214AC (SMA)
1SMA5933	1,500	5	20.9	23.1	17		650	0.25	0.5	16.7	150	DO-214AC (SMA)
1SMA5933H •	1,500	5	20.9	23.1	17		650	0.25	0.5	16.7	150	DO-214AC (SMA)
1SMA5934	1,500	5	22.8	25.2	15.6		700	0.25	0.5	18.2	150	DO-214AC (SMA)
1SMA5934H •	1,500	5	22.8	25.2	15.6		700	0.25	0.5	18.2	150	DO-214AC (SMA)
1SMA5935	1,500	5	25.65	28.35	13.9		700	0.25	0.5	20.6	150	DO-214AC (SMA)
1SMA5935H •	1,500	5	25.65	28.35	13.9		700	0.25	0.5	20.6	150	DO-214AC (SMA)
1SMA5936	1,500	5	28.5	31.5	12.5		750	0.25	0.5	22.8	150	DO-214AC (SMA)
1SMA5936H •	1,500	5	28.5	31.5	12.5		750	0.25	0.5	22.8	150	DO-214AC (SMA)

## ZENER DIODE

 $(T_A = 25^\circ\text{C}$  unless otherwise noted)

Part Number	$P_D$ (mW)	Tolerance +/- (%)	$V_Z @ I_{ZT}$ Nom. (V)	$V_Z @ I_{ZT}$ Min. (V)	$V_Z @ I_{ZT}$ Max. (V)	$I_{ZT} @ V_Z$ (mA)	$Z_{ZT} @ I_{ZT}$ ( $\Omega$ )	$Z_{ZK} @ I_{ZK}$ (mA)	$I_R @ V_R$ ( $\mu\text{A}$ )	$I_R @ V_R$ (V)	$T_J$ Max. ( $^\circ\text{C}$ )	Package Description
1SMA5937	1,500	5	31.35	34.65	11.4		800	0.25	0.5	25.1	150	DO-214AC (SMA)
1SMA5937H •	1,500	5	31.35	34.65	11.4		800	0.25	0.5	25.1	150	DO-214AC (SMA)
1SMA5938	1,500	5	34.2	37.8	10.4		850	0.25	0.5	27.4	150	DO-214AC (SMA)
1SMA5938H •	1,500	5	34.2	37.8	10.4		850	0.25	0.5	27.4	150	DO-214AC (SMA)
1SMA5939	1,500	5	37.05	40.95	9.6		900	0.25	0.5	29.7	150	DO-214AC (SMA)
1SMA5939H •	1,500	5	37.05	40.95	9.6		900	0.25	0.5	29.7	150	DO-214AC (SMA)
1SMA5940	1,500	5	40.85	45.15	8.7		950	0.25	0.5	32.7	150	DO-214AC (SMA)
1SMA5940H •	1,500	5	40.85	45.15	8.7		950	0.25	0.5	32.7	150	DO-214AC (SMA)
1SMA5941	1,500	5	44.65	49.35	8		1000	0.25	0.5	35.8	150	DO-214AC (SMA)
1SMA5941H •	1,500	5	44.65	49.35	8		1000	0.25	0.5	35.8	150	DO-214AC (SMA)
1SMA5942	1,500	5	48.45	53.55	7.3		1100	0.25	0.5	38.8	150	DO-214AC (SMA)
1SMA5942H •	1,500	5	48.45	53.55	7.3		1100	0.25	0.5	38.8	150	DO-214AC (SMA)
1SMA5943	1,500	5	53.2	58.8	6.7		1300	0.25	0.5	42.6	150	DO-214AC (SMA)
1SMA5943H •	1,500	5	53.2	58.8	6.7		1300	0.25	0.5	42.6	150	DO-214AC (SMA)
1SMA5944	1,500	5	58.9	65.1	6		1500	0.25	0.5	47.1	150	DO-214AC (SMA)
1SMA5944H •	1,500	5	58.9	65.1	6		1500	0.25	0.5	47.1	150	DO-214AC (SMA)
1SMA5945	1,500	5	64.6	71.4	5.5		1700	0.25	0.5	51.7	150	DO-214AC (SMA)
1SMA5945H •	1,500	5	64.6	71.4	5.5		1700	0.25	0.5	51.7	150	DO-214AC (SMA)
1SMA5946	1,500	5	71.25	78.75	5		2000	0.25	0.5	56	150	DO-214AC (SMA)
1SMA5946H •	1,500	5	71.25	78.75	5		2000	0.25	0.5	56	150	DO-214AC (SMA)
1SMA5947	1,500	5	77.9	86.1	4.6		2500	0.25	0.5	62.2	150	DO-214AC (SMA)
1SMA5947H •	1,500	5	77.9	86.1	4.6		2500	0.25	0.5	62.2	150	DO-214AC (SMA)
1SMA5948	1,500	5	86.45	95.55	4.1		3000	0.25	0.5	69.2	150	DO-214AC (SMA)
1SMA5948H •	1,500	5	86.45	95.55	4.1		3000	0.25	0.5	69.2	150	DO-214AC (SMA)
1SMA5949	1,500	5	95	105	3.7		3100	0.25	0.5	76	150	DO-214AC (SMA)
1SMA5949H •	1,500	5	95	105	3.7		3100	0.25	0.5	76	150	DO-214AC (SMA)
1SMA5950	1,500	5	104.5	115.5	3.4		4000	0.25	0.5	83.6	150	DO-214AC (SMA)
1SMA5950H •	1,500	5	104.5	115.5	3.4		4000	0.25	0.5	83.6	150	DO-214AC (SMA)

## ZENER DIODE

 $(T_A = 25^\circ\text{C}$  unless otherwise noted)

Part Number	$P_D$ (mW)	Tolerance +/- (%)	$V_Z @ I_{ZT}$ Nom. (V)	$V_Z @ I_{ZT}$ Min. (V)	$V_Z @ I_{ZT}$ Max. (V)	$I_{ZT} @ V_Z$ (mA)	$Z_{ZT} @ I_{ZT}$ ( $\Omega$ )	$Z_{ZK} @ I_{ZK}$ (mA)	$I_R @ V_R$ ( $\mu\text{A}$ )	$I_R @ V_R$ (V)	$T_J$ Max. ( $^\circ\text{C}$ )	Package Description
1SMA5951	1,500	5	114	126	3.1		4500	0.25	0.5	91.2	150	DO-214AC (SMA)
1SMA5951H •	1,500	5	114	126	3.1		4500	0.25	0.5	91.2	150	DO-214AC (SMA)
1SMA5952	1,500	5	123.5	136.5	2.9		5000	0.25	0.5	98.8	150	DO-214AC (SMA)
1SMA5952H •	1,500	5	123.5	136.5	2.9		5000	0.25	0.5	98.8	150	DO-214AC (SMA)
1SMA5953	1,500	5	142.5	157.5	2.5		6000	0.25	0.5	114	150	DO-214AC (SMA)
1SMA5953H •	1,500	5	142.5	157.5	2.5		6000	0.25	0.5	114	150	DO-214AC (SMA)
1SMA5954	1,500	5	152	168	2.3		6500	0.25	0.5	121.6	150	DO-214AC (SMA)
1SMA5954H •	1,500	5	152	168	2.3		6500	0.25	0.5	121.6	150	DO-214AC (SMA)
1SMA5955	1,500	5	171	189	2.1		7000	0.25	0.5	136.8	150	DO-214AC (SMA)
1SMA5955H •	1,500	5	171	189	2.1		7000	0.25	0.5	136.8	150	DO-214AC (SMA)
1SMA5956	1,500	5	190	210	1.9		8000	0.25	0.5	152	150	DO-214AC (SMA)
1SMA5956H •	1,500	5	190	210	1.9		8000	0.25	0.5	152	150	DO-214AC (SMA)
2M200Z •	2,000	5			2.5		8000	0.25	0.5	152	150	DO-204AC (DO-15)
2M190Z •	2,000	5			2.6		8000	0.25	0.5	144.8	150	DO-204AC (DO-15)
2M180Z •	2,000	5			2.8		7000	0.25	0.5	136.8	150	DO-204AC (DO-15)
2M170Z •	2,000	5			2.9		7000	0.25	0.5	130.4	150	DO-204AC (DO-15)
2M160Z •	2,000	5			3.1		6500	0.25	0.5	121.6	150	DO-204AC (DO-15)
2M150Z •	2,000	5			3.3		6000	0.25	0.5	114	150	DO-204AC (DO-15)
2M140Z •	2,000	5			3.6		5500	0.25	0.5	106.4	150	DO-204AC (DO-15)
2M130Z •	2,000	5			3.8		5000	0.25	0.5	98.8	150	DO-204AC (DO-15)
2M120Z •	2,000	5			4.2		4500	0.25	0.5	91.2	150	DO-204AC (DO-15)
2M110Z •	2,000	5			4.5		4000	0.25	0.5	83.6	150	DO-204AC (DO-15)
2M100Z •	2,000	5			5		3000	0.25	0.5	76	150	DO-204AC (DO-15)
2M91Z •	2,000	5			5.5		3000	0.25	0.5	69.2	150	DO-204AC (DO-15)
2M82Z •	2,000	5			6.1		3000	0.25	0.5	62.2	150	DO-204AC (DO-15)
2M75Z •	2,000	5			6.7		2000	0.25	0.5	56	150	DO-204AC (DO-15)
2M68Z •	2,000	5			7.4		2000	0.25	0.5	51.7	150	DO-204AC (DO-15)
2M62Z •	2,000	5			8.1		2000	0.25	0.5	47.1	150	DO-204AC (DO-15)

## ZENER DIODE

(T<sub>A</sub>=25°C unless otherwise noted)

Part Number	P <sub>D</sub> (mW)	Tolerance +/- (%)	V <sub>Z</sub> @ I <sub>ZT</sub> Nom. (V)	V <sub>Z</sub> @ I <sub>ZT</sub> Min. (V)	V <sub>Z</sub> @ I <sub>ZT</sub> Max. (V)	I <sub>ZT</sub> @ V <sub>Z</sub> (mA)	Z <sub>ZT</sub> @ I <sub>ZT</sub> (Ω)	Z <sub>ZK</sub> @ I <sub>ZK</sub> (mA)	I <sub>R</sub> @ V <sub>R</sub> (μA)	I <sub>R</sub> @ V <sub>R</sub> (V)	T <sub>J</sub> Max. (°C)	Package Description
2M56Z ●	2,000	5			9		2000	0.25	0.5	42.6	150	DO-204AC (DO-15)
2M51Z ●	2,000	5			9.8		1500	0.25	0.5	38.8	150	DO-204AC (DO-15)
2M47Z ●	2,000	5			10.6		1500	0.25	0.5	35.8	150	DO-204AC (DO-15)
2M43Z ●	2,000	5			11.6		1500	0.25	0.5	32.7	150	DO-204AC (DO-15)
2M39Z ●	2,000	5			12.8		1000	0.25	0.5	29.7	150	DO-204AC (DO-15)
2M36Z ●	2,000	5			13.9		1000	0.25	0.5	27.4	150	DO-204AC (DO-15)
2M33Z ●	2,000	5			15.1		1000	0.25	0.5	25.1	150	DO-204AC (DO-15)
2M30Z ●	2,000	5			16.6		1000	0.25	0.5	22.8	150	DO-204AC (DO-15)
2M27Z ●	2,000	5			18.5		750	0.25	0.5	20.6	150	DO-204AC (DO-15)
2M24Z ●	2,000	5			20.8		750	0.25	0.5	18.2	150	DO-204AC (DO-15)
2M22Z ●	2,000	5			22.8		750	0.25	0.5	16.7	150	DO-204AC (DO-15)
2M20Z ●	2,000	5			25		750	0.25	0.5	15.2	150	DO-204AC (DO-15)
2M19Z ●	2,000	5			26.3		750	0.25	0.5	14.4	150	DO-204AC (DO-15)
2M18Z ●	2,000	5			27.8		750	0.25	0.5	13.7	150	DO-204AC (DO-15)
2M17Z ●	2,000	5			29.4		750	0.25	0.5	13	150	DO-204AC (DO-15)
2M16Z ●	2,000	5			31.2		700	0.25	0.5	12.2	150	DO-204AC (DO-15)
2M15Z ●	2,000	5			33.4		700	0.25	0.5	11.4	150	DO-204AC (DO-15)
2M14Z ●	2,000	5			35.7		700	0.25	0.5	10.6	150	DO-204AC (DO-15)
2M13Z ●	2,000	5			38.5		700	0.25	0.5	9.9	150	DO-204AC (DO-15)
2M12Z ●	2,000	5			41.5		700	0.25	1	9.1	150	DO-204AC (DO-15)
2M11Z ●	2,000	5			45.5		700	0.25	1	8.4	150	DO-204AC (DO-15)
2M6.8Z ●	2,000	5			100		200	1.00	1000	5.5	150	DO-204AC (DO-15)
1PGSMB5926	3,000	5	10.45	11.55	34.1	5.5	550	0.25	1	8.4	175	DO-214AA (SMB)
1PGSMB5926H ●	3,000	5	10.45	11.55	34.1	5.5	550	0.25	1	8.4	175	DO-214AA (SMB)
1SMB5926	3,000	5	10.45	11.55	34.1		550	0.25	1	8.4	150	DO-214AA (SMB)
1SMB5926H ●	3,000	5	10.45	11.55	34.1		550	0.25	1	8.4	150	DO-214AA (SMB)
1PGSMB5927	3,000	5	11.4	12.6	31.2	6.5	550	0.25	1	9.1	175	DO-214AA (SMB)
1PGSMB5927H ●	3,000	5	11.4	12.6	31.2	6.5	550	0.25	1	9.1	175	DO-214AA (SMB)

## ZENER DIODE

 $(T_A = 25^\circ\text{C}$  unless otherwise noted)

Part Number	$P_D$ (mW)	Tolerance +/- (%)	$V_Z @ I_{ZT}$ Nom. (V)	$V_Z @ I_{ZT}$ Min. (V)	$V_Z @ I_{ZT}$ Max. (V)	$I_{ZT} @ V_Z$ (mA)	$Z_{ZT} @ I_{ZT}$ ( $\Omega$ )	$Z_{ZK} @ I_{ZK}$ (mA)	$I_R @ V_R$ ( $\mu\text{A}$ )	$I_R @ V_R$ (V)	$T_J$ Max. ( $^\circ\text{C}$ )	Package Description
1SMB5927H •	3,000	5	11.4	12.6	31.2		55	0.25	1	9.1	150	DO-214AA (SMB)
1SMB5927	3,000	5	11.4	12.6	31.2		550	0.25	1	9.1	150	DO-214AA (SMB)
1PGSMB5928	3,000	5	12.35	13.65	28.8	7	550	0.25	1	9.9	175	DO-214AA (SMB)
1PGSMB5928H •	3,000	5	12.35	13.65	28.8	7	550	0.25	1	9.9	175	DO-214AA (SMB)
1SMB5928	3,000	5	12.35	13.65	28.8		550	0.25	1	9.9	150	DO-214AA (SMB)
1SMB5928H •	3,000	5	12.35	13.65	28.8		550	0.25	1	9.9	150	DO-214AA (SMB)
1PGSMB5929	3,000	5	14.25	15.75	25	9	600	0.25	1	11.4	175	DO-214AA (SMB)
1PGSMB5929H •	3,000	5	14.25	15.75	25	9	600	0.25	1	11.4	175	DO-214AA (SMB)
1SMB5929	3,000	5	14.25	15.75	25		600	0.25	1	11.4	150	DO-214AA (SMB)
1SMB5929H •	3,000	5	14.25	15.75	25		600	0.25	1	11.4	150	DO-214AA (SMB)
1PGSMB5930	3,000	5	15.2	16.8	23.4	10	600	0.25	1	12.2	175	DO-214AA (SMB)
1PGSMB5930H •	3,000	5	15.2	16.8	23.4	10	600	0.25	1	12.2	175	DO-214AA (SMB)
1SMB5930	3,000	5	15.2	16.8	23.4		600	0.25	1	12.2	150	DO-214AA (SMB)
1SMB5930H •	3,000	5	15.2	16.8	23.4		600	0.25	1	12.2	150	DO-214AA (SMB)
1PGSMB5931	3,000	5	17.1	18.9	20.8	12	650	0.25	1	13.7	175	DO-214AA (SMB)
1PGSMB5931H •	3,000	5	17.1	18.9	20.8	12	650	0.25	1	13.7	175	DO-214AA (SMB)
1SMB5931	3,000	5	17.1	18.9	20.8		650	0.25	1	13.7	150	DO-214AA (SMB)
1SMB5931H •	3,000	5	17.1	18.9	20.8		650	0.25	1	13.7	150	DO-214AA (SMB)
1PGSMB5932	3,000	5	19	21	18.7	14	650	0.25	1	15.2	175	DO-214AA (SMB)
1PGSMB5932H •	3,000	5	19	21	18.7	14	650	0.25	1	15.2	175	DO-214AA (SMB)
1SMB5932	3,000	5	19	21	18.7		650	0.25	1	15.2	150	DO-214AA (SMB)
1SMB5932H •	3,000	5	19	21	18.7		650	0.25	1	15.2	150	DO-214AA (SMB)
1PGSMB5933	3,000	5	20.9	23.1	17	17.5	650	0.25	1	16.7	175	DO-214AA (SMB)
1PGSMB5933H •	3,000	5	20.9	23.1	17	17.5	650	0.25	1	16.7	175	DO-214AA (SMB)
1SMB5933	3,000	5	20.9	23.1	17		650	0.25	1	16.7	150	DO-214AA (SMB)
1SMB5933H •	3,000	5	20.9	23.1	17		650	0.25	1	16.7	150	DO-214AA (SMB)
1PGSMB5934	3,000	5	22.8	25.2	15.6	19	700	0.25	1	18.2	175	DO-214AA (SMB)
1PGSMB5934H •	3,000	5	22.8	25.2	15.6	19	700	0.25	1	18.2	175	DO-214AA (SMB)



## ZENER DIODE

 $(T_A = 25^\circ\text{C}$  unless otherwise noted)

Part Number	$P_D$ (mW)	Tolerance +/- (%)	$V_Z @ I_{ZT}$ Nom. (V)	$V_Z @ I_{ZT}$ Min. (V)	$V_Z @ I_{ZT}$ Max. (V)	$I_{ZT} @ V_Z$ (mA)	$Z_{ZT} @ I_{ZT}$ ( $\Omega$ )	$Z_{ZK} @ I_{ZK}$ (mA)	$I_R @ V_R$ ( $\mu\text{A}$ )	$I_R @ V_R$ (V)	$T_J$ Max. ( $^\circ\text{C}$ )	Package Description
1SMB5934	3,000	5	22.8	25.2	15.6		700	0.25	1	18.2	150	DO-214AA (SMB)
1SMB5934H •	3,000	5	22.8	25.2	15.6		700	0.25	1	18.2	150	DO-214AA (SMB)
1PGSMB5935	3,000	5	25.65	28.35	13.9	23	700	0.25	1	20.6	175	DO-214AA (SMB)
1PGSMB5935H •	3,000	5	25.65	28.35	13.9	23	700	0.25	1	20.6	175	DO-214AA (SMB)
1SMB5935	3,000	5	25.65	28.35	13.9		700	0.25	1	20.6	150	DO-214AA (SMB)
1SMB5935H •	3,000	5	25.65	28.35	13.9		700	0.25	1	20.6	150	DO-214AA (SMB)
1PGSMB5936	3,000	5	28.5	31.5	12.5	26	750	0.25	1	22.8	175	DO-214AA (SMB)
1PGSMB5936H •	3,000	5	28.5	31.5	12.5	26	750	0.25	1	22.8	175	DO-214AA (SMB)
1SMB5936	3,000	5	28.5	31.5	12.5		750	0.25	1	22.8	150	DO-214AA (SMB)
1SMB5936H •	3,000	5	28.5	31.5	12.5		750	0.25	1	22.8	150	DO-214AA (SMB)
1PGSMB5937	3,000	5	31.35	34.65	11.4	33	800	0.25	1	25.1	175	DO-214AA (SMB)
1PGSMB5937H •	3,000	5	31.35	34.65	11.4	33	800	0.25	1	25.1	175	DO-214AA (SMB)
1SMB5937	3,000	5	31.35	34.65	11.4		800	0.25	1	25.1	150	DO-214AA (SMB)
1SMB5937H •	3,000	5	31.35	34.65	11.4		800	0.25	1	25.1	150	DO-214AA (SMB)
1PGSMB5938	3,000	5	34.2	37.8	10.4	38	850	0.25	1	27.4	175	DO-214AA (SMB)
1PGSMB5938H •	3,000	5	34.2	37.8	10.4	38	850	0.25	1	27.4	175	DO-214AA (SMB)
1SMB5938	3,000	5	34.2	37.8	10.4		850	0.25	1	27.4	150	DO-214AA (SMB)
1SMB5938H •	3,000	5	34.2	37.8	10.4		850	0.25	1	27.4	150	DO-214AA (SMB)
1PGSMB5939	3,000	5	37.05	40.95	9.6	45	900	0.25	1	29.7	175	DO-214AA (SMB)
1PGSMB5939H •	3,000	5	37.05	40.95	9.6	45	900	0.25	1	29.7	175	DO-214AA (SMB)
1SMB5939	3,000	5	37.05	40.95	9.6		900	0.25	1	29.7	150	DO-214AA (SMB)
1SMB5939H •	3,000	5	37.05	40.95	9.6		900	0.25	1	29.7	150	DO-214AA (SMB)
1PGSMB5940	3,000	5	40.85	45.15	8.7	53	950	0.25	1	32.7	175	DO-214AA (SMB)
1PGSMB5940H •	3,000	5	40.85	45.15	8.7	53	950	0.25	1	32.7	175	DO-214AA (SMB)
1SMB5940	3,000	5	40.85	45.15	8.7		950	0.25	1	32.7	150	DO-214AA (SMB)
1SMB5940H •	3,000	5	40.85	45.15	8.7		950	0.25	1	32.7	150	DO-214AA (SMB)
1PGSMB5941	3,000	5	44.65	49.35	8	67	1000	0.25	1	35.8	175	DO-214AA (SMB)
1PGSMB5941H •	3,000	5	44.65	49.35	8	67	1000	0.25	1	35.8	175	DO-214AA (SMB)

## ZENER DIODE

 $(T_A = 25^\circ\text{C}$  unless otherwise noted)

Part Number	$P_D$ (mW)	Tolerance +/- (%)	$V_Z @ I_{ZT}$ Nom. (V)	$V_Z @ I_{ZT}$ Min. (V)	$V_Z @ I_{ZT}$ Max. (V)	$I_{ZT} @ V_Z$ (mA)	$Z_{ZT} @ I_{ZT}$ ( $\Omega$ )	$Z_{ZK} @ I_{ZK}$ (mA)	$I_R @ V_R$ ( $\mu\text{A}$ )	$I_R @ V_R$ (V)	$T_J$ Max. ( $^\circ\text{C}$ )	Package Description
1SMB5941	3,000	5	44.65	49.35	8		1000	0.25	1	35.8	150	DO-214AA (SMB)
1SMB5941H •	3,000	5	44.65	49.35	8		1000	0.25	1	35.8	150	DO-214AA (SMB)
1PGSMB5942	3,000	5	48.45	53.55	7.3	70	1100	0.25	1	38.8	175	DO-214AA (SMB)
1PGSMB5942H •	3,000	5	48.45	53.55	7.3	70	1100	0.25	1	38.8	175	DO-214AA (SMB)
1SMB5942	3,000	5	48.45	53.55	7.3		1100	0.25	1	38.8	150	DO-214AA (SMB)
1SMB5942H •	3,000	5	48.45	53.55	7.3		1100	0.25	1	38.8	150	DO-214AA (SMB)
1PGSMB5943	3,000	5	53.2	58.8	6.7	86	1300	0.25	1	42.6	175	DO-214AA (SMB)
1PGSMB5943H •	3,000	5	53.2	58.8	6.7	86	1300	0.25	1	42.6	175	DO-214AA (SMB)
1SMB5943	3,000	5	53.2	58.8	6.7		1300	0.25	1	42.6	150	DO-214AA (SMB)
1SMB5943H •	3,000	5	53.2	58.8	6.7		1300	0.25	1	42.6	150	DO-214AA (SMB)
1PGSMB5944	3,000	5	58.9	65.1	6	100	1500	0.25	1	47.1	175	DO-214AA (SMB)
1PGSMB5944H •	3,000	5	58.9	65.1	6	100	1500	0.25	1	47.1	175	DO-214AA (SMB)
1SMB5944	3,000	5	58.9	65.1	6		1500	0.25	1	47.1	150	DO-214AA (SMB)
1SMB5944H •	3,000	5	58.9	65.1	6		1500	0.25	1	47.1	150	DO-214AA (SMB)
1PGSMB5945	3,000	5	64.6	71.4	5.5	120	1700	0.25	1	51.7	175	DO-214AA (SMB)
1PGSMB5945H •	3,000	5	64.6	71.4	5.5	120	1700	0.25	1	51.7	175	DO-214AA (SMB)
1SMB5945	3,000	5	64.6	71.4	5.5		1700	0.25	1	51.7	150	DO-214AA (SMB)
1SMB5945H •	3,000	5	64.6	71.4	5.5		1700	0.25	1	51.7	150	DO-214AA (SMB)
1PGSMB5946	3,000	5	71.25	78.75	5	140	2000	0.25	1	56	175	DO-214AA (SMB)
1PGSMB5946H •	3,000	5	71.25	78.75	5	140	2000	0.25	1	56	175	DO-214AA (SMB)
1SMB5946	3,000	5	71.25	78.75	5		2000	0.25	1	56	150	DO-214AA (SMB)
1SMB5946H •	3,000	5	71.25	78.75	5		2000	0.25	1	56	150	DO-214AA (SMB)
1PGSMB5947	3,000	5	77.9	86.1	4.6	160	2500	0.25	1	62.2	175	DO-214AA (SMB)
1PGSMB5947H •	3,000	5	77.9	86.1	4.6	160	2500	0.25	1	62.2	175	DO-214AA (SMB)
1SMB5947	3,000	5	77.9	86.1	4.6		2500	0.25	1	62.2	150	DO-214AA (SMB)
1SMB5947H •	3,000	5	77.9	86.1	4.6		2500	0.25	1	62.2	150	DO-214AA (SMB)
1PGSMB5948	3,000	5	86.45	95.55	4.1	200	3000	0.25	1	69.2	175	DO-214AA (SMB)
1PGSMB5948H •	3,000	5	86.45	95.55	4.1	200	3000	0.25	1	69.2	175	DO-214AA (SMB)

## ZENER DIODE

 $(T_A = 25^\circ\text{C}$  unless otherwise noted)

Part Number	$P_D$ (mW)	Tolerance +/- (%)	$V_Z @ I_{ZT}$ Nom. (V)	$V_Z @ I_{ZT}$ Min. (V)	$V_Z @ I_{ZT}$ Max. (V)	$I_{ZT} @ V_Z$ (mA)	$Z_{ZT} @ I_{ZT}$ ( $\Omega$ )	$Z_{ZK} @ I_{ZK}$ (mA)	$I_R @ V_R$ ( $\mu\text{A}$ )	$I_R @ V_R$ (V)	$T_J$ Max. ( $^\circ\text{C}$ )	Package Description
1SMB5948	3,000	5	86.45	95.55	4.1		3000	0.25	1	69.2	150	DO-214AA (SMB)
1SMB5948H ●	3,000	5	86.45	95.55	4.1		3000	0.25	1	69.2	150	DO-214AA (SMB)
1PGSMB5949	3,000	5	95	105	3.7	250	3100	0.25	1	76	175	DO-214AA (SMB)
1PGSMB5949H ●	3,000	5	95	105	3.7	250	3100	0.25	1	76	175	DO-214AA (SMB)
1SMB5949	3,000	5	95	105	3.7		3100	0.25	1	76	150	DO-214AA (SMB)
1SMB5949H ●	3,000	5	95	105	3.7		3100	0.25	1	76	150	DO-214AA (SMB)
1PGSMB5950	3,000	5	104.5	115.5	3.4	300	4000	0.25	1	83.6	175	DO-214AA (SMB)
1PGSMB5950H ●	3,000	5	104.5	115.5	3.4	300	4000	0.25	1	83.6	175	DO-214AA (SMB)
1SMB5950	3,000	5	104.5	115.5	3.4		4000	0.25	1	83.6	150	DO-214AA (SMB)
1SMB5950H ●	3,000	5	104.5	115.5	3.4		4000	0.25	1	83.6	150	DO-214AA (SMB)
1PGSMB5951	3,000	5	114	126	3.1	360	4500	0.25	1	91.2	175	DO-214AA (SMB)
1PGSMB5951H ●	3,000	5	114	126	3.1	360	4500	0.25	1	91.2	175	DO-214AA (SMB)
1SMB5951	3,000	5	114	126	3.1		4500	0.25	1	91.2	150	DO-214AA (SMB)
1SMB5951H ●	3,000	5	114	126	3.1		4500	0.25	1	91.2	150	DO-214AA (SMB)
1PGSMB5952	3,000	5	123.5	136.5	2.9	450	5000	0.25	1	98.8	175	DO-214AA (SMB)
1PGSMB5952H ●	3,000	5	123.5	136.5	2.9	450	5000	0.25	1	98.8	175	DO-214AA (SMB)
1SMB5952	3,000	5	123.5	136.5	2.9		5000	0.25	1	98.8	150	DO-214AA (SMB)
1SMB5952H ●	3,000	5	123.5	136.5	2.9		5000	0.25	1	98.8	150	DO-214AA (SMB)
1PGSMB5953	3,000	5	142.5	157.5	2.5	600	6000	0.25	1	114	175	DO-214AA (SMB)
1PGSMB5953H ●	3,000	5	142.5	157.5	2.5	600	6000	0.25	1	114	175	DO-214AA (SMB)
1SMB5953	3,000	5	142.5	157.5	2.5		6000	0.25	1	114	150	DO-214AA (SMB)
1SMB5953H ●	3,000	5	142.5	157.5	2.5		6000	0.25	1	114	150	DO-214AA (SMB)
1PGSMB5954	3,000	5	152	168	2.3	700	6500	0.25	1	121.6	175	DO-214AA (SMB)
1PGSMB5954H ●	3,000	5	152	168	2.3	700	6500	0.25	1	121.6	175	DO-214AA (SMB)
1SMB5954	3,000	5	152	168	2.3		6500	0.25	1	121.6	150	DO-214AA (SMB)
1SMB5954H ●	3,000	5	152	168	2.3		6500	0.25	1	121.6	150	DO-214AA (SMB)
1PGSMB5955	3,000	5	171	189	2.1	900	7000	0.25	1	136.8	175	DO-214AA (SMB)
1PGSMB5955H ●	3,000	5	171	189	2.1	900	7000	0.25	1	136.8	175	DO-214AA (SMB)

## ZENER DIODE

 $(T_A = 25^\circ\text{C}$  unless otherwise noted)

Part Number	$P_D$ (mW)	Tolerance +/- (%)	$V_Z @ I_{ZT}$ Nom. (V)	$V_Z @ I_{ZT}$ Min. (V)	$V_Z @ I_{ZT}$ Max. (V)	$I_{ZT} @ V_Z$ (mA)	$Z_{ZT} @ I_{ZT}$ ( $\Omega$ )	$Z_{ZK} @ I_{ZK}$ (mA)	$I_R @ V_R$ ( $\mu\text{A}$ )	$I_R @ V_R$ (V)	$T_J$ Max. ( $^\circ\text{C}$ )	Package Description
1SMB5955	3,000	5	171	189	2.1		7000	0.25	1	136.8	150	DO-214AA (SMB)
1SMB5955H •	3,000	5	171	189	2.1		7000	0.25	1	136.8	150	DO-214AA (SMB)
1PGSMB5956	3,000	5	190	210	1.9	1200	8000	0.25	1	152	175	DO-214AA (SMB)
1PGSMB5956H •	3,000	5	190	210	1.9	1200	8000	0.25	1	152	175	DO-214AA (SMB)
1SMB5956	3,000	5	190	210	1.9		8000	0.25	1	152	150	DO-214AA (SMB)
1SMB5956H •	3,000	5	190	210	1.9		8000	0.25	1	152	150	DO-214AA (SMB)
1PGSMC5348	5,000	5	10.45	11.55	125	3	125	1	5	8.4	175	DO-214AB (SMC)
1PGSMC5348H •	5,000	5	10.45	11.55	125	3	125	1	5	8.4	175	DO-214AB (SMC)
1PGSMC5349	5,000	5	11.4	12.6	100	3	150	1	2	9.1	175	DO-214AB (SMC)
1PGSMC5349H •	5,000	5	11.4	12.6	100	3	150	1	2	9.1	175	DO-214AB (SMC)
1PGSMC5350	5,000	5	12.35	13.65	100	3	150	1	1	9.9	175	DO-214AB (SMC)
1PGSMC5350H •	5,000	5	12.35	13.65	100	3	150	1	1	9.9	175	DO-214AB (SMC)
1PGSMC5351	5,000	5	13.3	14.7	100	3	150	1	1	10.6	175	DO-214AB (SMC)
1PGSMC5351H •	5,000	5	13.3	14.7	100	3	150	1	1	10.6	175	DO-214AB (SMC)
1PGSMC5352	5,000	5	14.25	15.75	75	3	150	1	1	11.5	175	DO-214AB (SMC)
1PGSMC5352H •	5,000	5	14.25	15.75	75	3	150	1	1	11.5	175	DO-214AB (SMC)
1PGSMC5353	5,000	5	15.2	16.8	75	3	150	1	1	12.2	175	DO-214AB (SMC)
1PGSMC5353H •	5,000	5	15.2	16.8	75	3	150	1	1	12.2	175	DO-214AB (SMC)
1PGSMC5354	5,000	5	16.15	17.85	70	3	150	1	0.5	12.9	175	DO-214AB (SMC)
1PGSMC5354H •	5,000	5	16.15	17.85	70	3	150	1	0.5	12.9	175	DO-214AB (SMC)
1PGSMC5355	5,000	5	17.1	18.9	65	3	150	1	0.5	13.7	175	DO-214AB (SMC)
1PGSMC5355H •	5,000	5	17.1	18.9	65	3	150	1	0.5	13.7	175	DO-214AB (SMC)
1PGSMC5356	5,000	5	18.05	19.95	65	3	150	1	0.5	14.4	175	DO-214AB (SMC)
1PGSMC5356H •	5,000	5	18.05	19.95	65	3	150	1	0.5	14.4	175	DO-214AB (SMC)
1PGSMC5357	5,000	5	19	21	65	3	150	1	0.5	15.2	175	DO-214AB (SMC)
1PGSMC5357H •	5,000	5	19	21	65	3	150	1	0.5	15.2	175	DO-214AB (SMC)
1PGSMC5358	5,000	5	20.9	23.1	50	4	150	1	0.5	16.7	175	DO-214AB (SMC)
1PGSMC5358H •	5,000	5	20.9	23.1	50	4	150	1	0.5	16.7	175	DO-214AB (SMC)

## ZENER DIODE

 $(T_A = 25^\circ\text{C}$  unless otherwise noted)

Part Number	$P_D$ (mW)	Tolerance +/- (%)	$V_Z @ I_{ZT}$ Nom. (V)	$V_Z @ I_{ZT}$ Min. (V)	$V_Z @ I_{ZT}$ Max. (V)	$I_{ZT} @ V_Z$ (mA)	$Z_{ZT} @ I_{ZT}$ ( $\Omega$ )	$Z_{ZK} @ I_{ZK}$ (mA)	$I_R @ V_R$ ( $\mu\text{A}$ )	$I_R @ V_R$ (V)	$T_J$ Max. ( $^\circ\text{C}$ )	Package Description
1PGSMC5359	5,000	5	22.8	25.2	50	4	180	1	0.5	18.2	175	DO-214AB (SMC)
1PGSMC5359H •	5,000	5	22.8	25.2	50	4	180	1	0.5	18.2	175	DO-214AB (SMC)
1PGSMC5360	5,000	5	23.75	26.25	50	4	180	1	0.5	19	175	DO-214AB (SMC)
1PGSMC5360H •	5,000	5	23.75	26.25	50	4	180	1	0.5	19	175	DO-214AB (SMC)
1PGSMC5361	5,000	5	25.65	28.35	50	5	180	1	0.5	20.6	175	DO-214AB (SMC)
1PGSMC5361H •	5,000	5	25.65	28.35	50	5	180	1	0.5	20.6	175	DO-214AB (SMC)
1PGSMC5362	5,000	5	26.6	29.4	50	6	180	1	0.5	21.2	175	DO-214AB (SMC)
1PGSMC5362H •	5,000	5	26.6	29.4	50	6	180	1	0.5	21.2	175	DO-214AB (SMC)
1PGSMC5363	5,000	5	28.5	31.5	40	8	180	1	0.5	22.8	175	DO-214AB (SMC)
1PGSMC5363H •	5,000	5	28.5	31.5	40	8	180	1	0.5	22.8	175	DO-214AB (SMC)
1PGSMC5364	5,000	5	31.35	34.65	40	10	180	1	0.5	25.1	175	DO-214AB (SMC)
1PGSMC5364H •	5,000	5	31.35	34.65	40	10	180	1	0.5	25.1	175	DO-214AB (SMC)
1PGSMC5365	5,000	5	34.2	37.8	30	11	200	1	0.5	27.4	175	DO-214AB (SMC)
1PGSMC5365H •	5,000	5	34.2	37.8	30	11	200	1	0.5	27.4	175	DO-214AB (SMC)
1PGSMC5366	5,000	5	37.05	40.95	30	14	200	1	0.5	29.7	175	DO-214AB (SMC)
1PGSMC5366H •	5,000	5	37.05	40.95	30	14	200	1	0.5	29.7	175	DO-214AB (SMC)
1PGSMC5367	5,000	5	40.85	45.15	30	20	200	1	0.5	32.7	175	DO-214AB (SMC)
1PGSMC5367H •	5,000	5	40.85	45.15	30	20	200	1	0.5	32.7	175	DO-214AB (SMC)
1PGSMC5368	5,000	5	44.65	49.35	25	25	200	1	0.5	35.8	175	DO-214AB (SMC)
1PGSMC5368H •	5,000	5	44.65	49.35	25	25	200	1	0.5	35.8	175	DO-214AB (SMC)
1PGSMC5369	5,000	5	48.45	53.55	25	27	200	1	0.5	38.8	175	DO-214AB (SMC)
1PGSMC5369H •	5,000	5	48.45	53.55	25	27	200	1	0.5	38.8	175	DO-214AB (SMC)
1SMC5352	5,000	5			75		75	1	1	11.5	150	DO-214AB (SMC)
1SMC5352H •	5,000	5			75		75	1	1	11.5	150	DO-214AB (SMC)

# SWITCHING DIODE

(T<sub>A</sub>=25°C unless otherwise noted)

Part Number	V <sub>RRM</sub>	V <sub>R</sub>	P <sub>D</sub>	I <sub>F(AV)</sub>	I <sub>FSM</sub>	V <sub>F</sub> @ I <sub>F</sub>	I <sub>R</sub> @ V <sub>R</sub>	C <sub>j</sub> (Typ.) @ V <sub>R</sub> @ f			T <sub>j</sub> Max.	Package Description
	(V)	(V)	(mW)	(A)	(A)	(V@mA)	(μA@V)	(pF)	(V)	(MHz)	(°C)	
BAV99	70	70	225	0.20	2	1 at 50	2.5 at 70	2	0	1	150	SOT-23
BAW56	70	70	225	0.20	2	1 at 50	2.5 at 70	2	0	1	150	SOT-23
BAV70	70	70	225	0.20	2	1 at 50	2.5 at 70	2	0	1	150	SOT-23
BAS16	75	75	225	0.15	2	0.72 at 1	1 at 75	2	0	1	150	SOT-23
BAS116	75	75	225	0.20	0.5	0.9 at 1	0.005 at 75	2	0	1	150	SOT-23
LL4448	75	75	500	0.15	2	0.72 at 5	0.025 at 20	4	0	1	175	MMELF
LS4148	75	75	500	0.15	2	1 at 10	0.025 at 20	4	0	1	175	QMMELF
LL4148	75	75	500	0.15	2	1 at 50	0.025 at 20	4	0	1	175	MMELF
TS4148 RCG	75	75		0.10	0.8	1 at 10	0.025 at 20	4	0	1	150	0603 (Ceramics)
TS4148 RAG	75	75		0.15	2	1 at 10	0.025 at 20	4	0	1	150	1206 (Ceramics)
TS4148 RBG	75	75		0.15	2	1 at 100	0.025 at 20	4	0	1	175	0805 (Ceramics)
1N4448W	75	100	400	0.15		0.72 at 5	0.025 at 20	4	0	1	150	SOD-123F
1N914BW	75	100	400	0.15		0.72 at 5	0.025 at 20	4	0	1	150	SOD-123F
1N4148W	75	100	400	0.15		1 at 10	0.025 at 20	4	0	1	150	SOD-123F
1SS133M	80	80	300	0.15	2	1.2 at 100	0.5 at 80	4	0	1	175	DO-34
BAV99W	85	75	200	0.15	4	0.72 at 1	0.03 at 25	2	0	1	150	SOT-323
1SS355	90	80	200	0.25	0.5	1.2 at 100	0.1 at 80	4	0.5	1	150	SOD-323F
1N4148WS-G	100	75	200	0.15	2	1 at 50	0.025 at 20	2	0	1	150	SOD-323
MMBD4148	100	75	350	0.20	2	0.82 at 10	0.025 at 20	4	0	1	150	SOT-23
MMBD4148CA	100	75	350	0.20	2	0.82 at 10	0.025 at 20	4	0	1	150	SOT-23
MMBD4148CC	100	75	350	0.20	2	0.82 at 10	0.025 at 20	4	0	1	150	SOT-23
MMBD4148SE	100	75	350	0.20	2	0.82 at 10	0.025 at 20	4	0	1	150	SOT-23
TS4448 RG	100	100	150	0.13	2	0.72 at 5	0.025 at 20	9	1	1	125	0603
1N4448WS	100	100	200	0.15	0.5	0.72 at 5	5 at 75	4	0	1	150	SOD-323F
1N914BWS	100	100	200	0.15	1	0.72 at 5	5 at 75	4	0	1	150	SOD-323F
1N4148WS	100	100	200	0.15	2	1 at 10	5 at 75	4	0	1	150	SOD-323F

Part Number	V <sub>RRM</sub>	V <sub>R</sub>	P <sub>D</sub>	I <sub>F(AV)</sub>	I <sub>FSM</sub>	V <sub>F</sub> @ I <sub>F</sub>	I <sub>R</sub> @ V <sub>R</sub>	C <sub>j</sub> (Typ.) @ V <sub>R</sub> @ f			T <sub>j</sub> Max.	Package Description
	(V)	(V)	(mW)	(A)	(A)	(V@mA)	(μA@V)	(pF)	(V)	(MHz)	(°C)	
1SS400	100	100	200	0.20	0.5	1.2 at 100	0.1 at 80	4	0.5	1	150	SOD-523F
BAS19W	100	100	200	0.20		1.25 at 100	0.1 at 100	5	0	1	150	SOT-323
BAS316WS	100	100	200	0.25	4	0.715 at 1	0.03 at 25	1.5	0	1	150	SOD-323F
BAS316	100	100	200	0.25	4	0.86 at 10	0.03 at 25	2	0	1	150	SOD-323
BAS19	100	100	250	0.20		1 at 100	0.1 at 100	5	0	1	150	SOT-23
1N4148W-G	100	100	350	0.15	2	0.72 at 1	0.025 at 20	2	0	1	150	SOD-123
1N4448	100	100	500	0.15	2	0.72 at 5	0.025 at 20	4	0	1	150	DO-35
1N914B	100	100	500	0.15	2	0.72 at 5	0.025 at 20	4	0	1	150	DO-35
1N4148	100	100	500	0.15	2	1 at 10	0.025 at 20	4	0	1	150	DO-35
BAV19WS-G	120	100	200	0.5	2.5	1 at 100	0.1 at 100	5	0	1	150	SOD-323
BAV19W-G	120	100	500	0.20	2.5	1 at 100	0.1 at 100	5	0	1	150	SOD-123
BAV19WS	120	120	200	0.2	2.5	1 at 100	0.1 at 100	5	0	1	150	SOD-323F
BAV19	120	120	500	0.20	4	1 at 100	0.1 at 100	5	0	1	175	DO-35
BAS20W	150	150	200	0.20		1.25 at 100	0.1 at 150	5	0	1	150	SOT-323
BAS20	150	150	250	0.20		1 at 100	0.1 at 150	5	0	1	150	SOT-23
BAV20WS-G	200	150	200	0.5	2.5	1 at 100	0.1 at 150	5	0	1	150	SOD-323
BAV20W-G	200	150	500	0.20	2.5	1 at 100	0.1 at 150	5	0	1	150	SOD-123
BAV20WS	200	200	200	0.2	2.5	1 at 100	0.1 at 150	5	0	1	150	SOD-323F
BAV20	200	200	500	0.20	4	1 at 100	0.1 at 150	5	0	1	175	DO-35
BAV20W	250	200	410	0.20	1	1 at 100	0.1 at 150	5	0	1	150	SOD-123F
BAV21WS	250	250	200	0.2	2.5	1 at 100	0.1 at 200	5	0	1	150	SOD-323F
BAS21W	250	250	200	0.20		1.25 at 100	0.1 at 250	5	0	1	150	SOT-323
BAV21WS-G	250	250	200	0.5	2.5	1 at 100	0.1 at 200	5	0	1	150	SOD-323
BAS21	250	250	225	0.20	1	1 at 100	0.1 at 200	5	1	1	150	SOT-23
BAS21A	250	250	225	0.20	1	1 at 100	0.1 at 200	5	1	1	150	SOT-23
BAS21C	250	250	225	0.20	1	1 at 100	0.1 at 200	5	1	1	150	SOT-23

# SWITCHING DIODE

( $T_A=25^\circ\text{C}$  unless otherwise noted)

Part Number	$V_{RRM}$	$V_R$	$P_D$	$I_{F(AV)}$	$I_{FSM}$	$V_F @ I_F$	$I_R @ V_R$	$C_i(\text{Typ.}) @ V_R @ f$			$T_j \text{ Max.}$	Package Description
	(V)	(V)	(mW)	(A)	(A)	(V@mA)	( $\mu\text{A@V}$ )	(pF)	(V)	(MHz)	( $^\circ\text{C}$ )	
<b>BAS21S</b>	250	250	225	0.20	1	1 at 100	0.1 at 200	5	1	1	150	SOT-23
<b>BAV21W</b>	250	250	410	0.20	1	1 at 100	0.1 at 200	5	0	1	150	SOD-123F
<b>BAV19W</b>	250	250	410	0.20	4	1 at 100	0.1 at 100	5	0	1	150	SOD-123F
<b>BAV21W-G</b>	250	250	500	0.20	2.5	1 at 100	0.1 at 200	5	0	1	150	SOD-123
<b>BAV21</b>	250	250	500	0.20	4	1 at 100	0.1 at 200	5	0	1	175	DO-35
<b>BAV101</b>	250	250		0.20	4	1 at 100	0.1 at 100	4	0	1	200	MMELF
<b>BAV103</b>	250	250		0.20	4	1 at 100	0.1 at 200	4	0	1	200	MMELF
<b>MMBD3004</b>	350	350	350	0.23	4	1 at 100	0.1 at 240	5	1	1	150	SOT-23
<b>MMBD3004CA</b>	350	350	350	0.23	4	1 at 100	0.1 at 240	5	1	1	150	SOT-23
<b>MMBD3004CC</b>	350	350	350	0.23	4	1 at 100	0.1 at 240	5	1	1	150	SOT-23
<b>MMBD3004SE</b>	350	350	350	0.23	4	1 at 100	0.1 at 240	5	1	1	150	SOT-23

# SCHOTTKY DIODE

(T<sub>A</sub>=25°C unless otherwise noted)

Part Number	I <sub>F(AV)</sub>	V <sub>RRM</sub>	I <sub>FSM</sub>	V <sub>F</sub>	I <sub>R</sub>	T <sub>J</sub> Max.	Package Description
	(A)	(V)	(A)	(V)	(μA)	(°C)	
SD101CW	0.02	40	2	0.39	0.2	125	SOD-123
RB751V-40	0.03	40	0.2	0.37	0.5	125	SOD-323
RB751V-40WS	0.03	40	0.2	0.37	0.5	125	SOD-323F
RB751M5-40	0.03	40	0.2	0.37	0.5	125	SOD-523F
RB706F-40	0.03	45	0.2	0.37	1	125	SOT-323
TSS0340U	0.03	45	0.5	0.37	1	125	0603
BAS70	0.07	70	0.1	0.41	0.1	125	SOT-23
BAS70-04	0.07	70	0.1	0.41	0.1	125	SOT-23
BAS70-05	0.07	70	0.1	0.41	0.1	125	SOT-23
BAS70-06	0.07	70	0.1	0.41	0.1	125	SOT-23
TSS70U	0.07	70	0.1	1.00	0.1	125	0603
RB520G-30	0.1	30	0.5	0.45	0.5	125	SOD-723F
BAT54GW	0.1	30	0.6	0.24	2	125	SOD-123
RB500V-40	0.1	45	1	0.45	1	125	SOD-323F
TSS54U	0.2	30	0.6	1.00	2	125	0603
BAT54	0.2	30	0.6	1.00	2	125	SOT-23
BAT54A	0.2	30	0.6	1.00	2	125	SOT-23
BAT54C	0.2	30	0.6	1.00	2	125	SOT-23
BAT54S	0.2	30	0.6	1.00	2	125	SOT-23
BAT54AW	0.2	30	0.6	1.00	2	150	SOT-323
BAT54CW	0.2	30	0.6	1.00	2	150	SOT-323
BAT54SW	0.2	30	0.6	1.00	2	150	SOT-323
BAT54W	0.2	30	0.6	1.00	2	150	SOT-323
BAT54AD	0.2	30	0.6	1.00	2	150	SOT-363
BAT54BR	0.2	30	0.6	1.00	2	150	SOT-363
BAT54CD	0.2	30	0.6	1.00	2	150	SOT-363
BAT54SD	0.2	30	0.6	1.00	2	150	SOT-363
BAT54T	0.2	30	0.6	1.00	2	150	SOT-363

Part Number	I <sub>F(AV)</sub>	V <sub>RRM</sub>	I <sub>FSM</sub>	V <sub>F</sub>	I <sub>R</sub>	T <sub>J</sub> Max.	Package Description
	(A)	(V)	(A)	(V)	(μA)	(°C)	
RB520S-30	0.2	30	1	0.60	1	125	SOD-523F
TSS42U	0.2	30	4	1.00	0.5	125	0603
TSS43U	0.2	30	4	1.00	0.5	125	0603
BAT42W	0.2	30	4	1.00	0.5	125	SOD-123
BAT43W	0.2	30	4	1.00	0.5	125	SOD-123
BAT42WS	0.2	30	4	1.00	0.5	125	SOD-323F
BAT43WS	0.2	30	4	1.00	0.5	125	SOD-323F
TSS0230LU	0.2	35	1	0.50	30	125	0603-B
TSS0230U	0.2	35	1	0.60	1	125	0603
BAS40M5	0.2	40	0.5	0.38	1	125	SOD-523F
BAS40	0.2	40	0.6	0.38	0.2	125	SOT-23
BAS40-04	0.2	40	0.6	0.38	0.2	125	SOT-23
BAS40-05	0.2	40	0.6	0.38	0.2	125	SOT-23
BAS40-06	0.2	40	0.6	0.38	0.2	125	SOT-23
TSS40U	0.2	40	0.6	1.00	0.2	125	0603
RB520SM5-40	0.2	40	1	0.39	1	125	SOD-523F
BAT46GW	0.25	100		0.25	0.8	125	SOD-123
SD103CW	0.35	20	1.5	0.60	5	125	SOD-123
SD103CM3	0.35	20	2	0.37	5	125	SOD-323F
SD103BW	0.35	30	1.5	0.60	5	125	SOD-123
SD103BM3	0.35	30	2	0.37	5	125	SOD-323F
RB495D	0.35	40	1.5	0.55	70	125	SOT-23
SD103AW	0.35	40	1.5	0.60	5	125	SOD-123
SD103AM3	0.35	40	2	0.37	5	125	SOD-323F
SD103AXM5	0.35	40	2	0.37	5	125	SOD-523F
B0520LW	0.5	20	5.5	0.385	250	125	SOD-123
B0520LWF	0.5	20	5.5	0.39	250	125	SOD-123F
B0530WS	0.5	30	5	0.47	500	125	SOD-323F



# SCHOTTKY DIODE

( $T_A=25^\circ\text{C}$  unless otherwise noted)

Part Number	$I_{F(AV)}$	$V_{RRM}$	$I_{FSM}$	$V_F$	$I_R$	$T_j$ Max.	Package Description
	(A)	(V)	(A)	(V)	( $\mu\text{A}$ )	( $^\circ\text{C}$ )	
B0530W	0.5	30	5.5	0.430	130	125	SOD-123
B0530WF	0.5	30	5.5	0.50	130	125	SOD-123F
B0540W	0.5	40	5.5	0.510	20	125	SOD-123
B0540WF	0.5	40	5.5	0.51	20	150	SOD-123F
BAT201M3	1	20	5	0.27	10	125	SOD-323F

# POWER MANAGEMENT

**AMPLIFIERS & COMPARATORS..... 219**

**VOLTAGE REGULATRO ..... 219**

AUTOMOTIVE VOLTAGE REGULATOR ..... 219

LINEAR VOLTAGE REGULATOR ..... 219

SWITCHING REGULATOR ..... 221

**LED DRIVER..... 222**

AUTOMOTIVE LED DRIVER ..... 222

AC-DC LED DRIVER..... 222

DC-DC LED DRIVER ..... 222

**VOLTAGE REFERENCE ..... 222**

## AMPLIFIERS & COMPARATORS

(T<sub>A</sub>=25°C unless otherwise noted)

Part Number	Channel	Supply Voltage (V <sub>cc</sub> )		Supply Current per Channel (V <sub>cc</sub> )		Input Offset Voltage		Input Bias Current		Package Description
		(Min.)	(Max.)	(Min.)	(Max.)	(Min.)	(Max.)	(Min.)	(Max.)	
		(V)		(mA)		(mV)		(nA)		
TS34119CS	1	2	16					-200		SOP-8
TS34118CS28	1	3.5	6.5	5.5	8			-40		SOP-28
TS321CX5	1		32	0.7	1.2	2	7	45	50	SOT-25
TS331CX5	1		36	0.4	1	2	5		250	SOT-25
TS358CD	2		32	0.7	1.2	2	7	-45	-250	DIP-8
TS358CS	2		32	0.7	1.2	2	7	-45	-250	SOP-8
TS393CD	2		36	0.4	1	2	5		250	DIP-8
TS393CS	2		36	0.4	1	2	5		250	SOP-8

## AUTOMOTIVE VOLTAGE REGULATOR

(T<sub>A</sub>=25°C unless otherwise noted)

Part Number	Supply Voltage (V <sub>cc</sub> )		Output Voltage (V <sub>out</sub> )	Output Current I <sub>out</sub> (Typ.)	Dropout Voltage V <sub>drop</sub> (Typ.)	Quiescent Current I <sub>q</sub> (Typ.)	Output Voltage Accuracy	Package Description
	(Min.)	(Max.)						
	(V)							
TQL821CSV33 ●	3	50	3.3	0.2	0.07	30	2	SOP-8EP
TQL820CA14V33 ●	3	50	3.3	0.2	0.07	40	2	TSSOP-14EP
TQL851CSV33 ●	3	50	3.3	0.5	0.06	30	2	SOP-8EP
TQL850CSV33 ●	3	50	3.3	0.5	0.06	40	2	SOP-8EP
TQL821CSV50 ●	3	50	5	0.2	0.07	30	2	SOP-8EP
TQL820CA14V50 ●	3	50	5	0.2	0.07	40	2	TSSOP-14EP
TQL851CSV50 ●	3	50	5	0.5	0.06	30	2	SOP-8EP
TQL850CSV50 ●	3	50	5	0.5	0.06	40	2	SOP-8EP

## LINEAR VOLTAGE REGULATOR

(T<sub>A</sub>=25°C unless otherwise noted)

Part Number	Supply Voltage (V <sub>cc</sub> )		Output Voltage (V <sub>out</sub> )	Adjustable	Reference Voltage V <sub>ref</sub>	Output Current I <sub>out</sub> (Typ.)	Dropout Voltage V <sub>drop</sub> (Typ.)	Quiescent Current I <sub>q</sub> (Typ.)	Output Voltage Accuracy	Package Description
	(Min.)	(Max.)								
	(V)									
TS9015CX5	2	7		Yes	0.9	0.3	0.3	50	2	SOT-25
TS79L05CY		-35	-5			1	2	3000	4	SOT-89
TS9011DCX		12	1.8			0.25	0.4	2	2	SOT-23
TS9011DCY		12	1.8			0.25	0.4	2	2	SOT-89
TS9011KCX		12	2.5			0.25	0.4	2	2	SOT-23
TS9011KCY		12	2.5			0.25	0.4	2	2	SOT-89
TS9013KCW		12	2.5			0.5	0.6	15	2	SOT-223
TS9011SCX		12	3.3			0.25	0.4	2	2	SOT-23
TS9011SCY		12	3.3			0.25	0.4	2	2	SOT-89
TS9013SCY		12	3.3			0.5	0.5	15	2	SOT-89
TS90115CX		12	5			0.25	0.4	2	2	SOT-23
TS90115CY		12	5			0.25	0.4	2	2	SOT-89
TS1117BCW12		15	1.2			1	1.3	5000	2	SOT-223
TS1117BCW25		15	2.5			1	1.3	5000	2	SOT-223
TS1117BCP33		15	3.3			1	1.3	5000	2	TO-252 (D-PAK)
TS1117BCW33		15	3.3			1	1.3	5000	2	SOT-223
TS1117BCP50		15	5			1	1.3	5000	2	TO-252 (D-PAK)
TS1117BCW50		15	5			1	1.3	5000	2	SOT-223
TS1117BCP		15		Yes	1.25	1	1.3	5000	2	TO-252 (D-PAK)
TS1117BCW		15		Yes	1.25	1	1.3	5000	2	SOT-223
TS5205CX525		20	2.5			0.15	0.17	1300	2	SOT-25
TS5204CX33		20	3.3			0.08	0.3	2600	4	SOT-23
TS5204CQ33		20	3.3			0.08	0.3	2600	3	DFN 22
TS5205CX533		20	3.3			0.15	0.17	1300	2	SOT-25
TS5213CX533		20	3.3			0.08	0.32	1800	3	SOT-25
TS5204CX50		20	5			0.08	0.3	2600	4	SOT-23

# LINEAR VOLTAGE REGULATOR

(T<sub>A</sub>=25°C unless otherwise noted)

Part Number	Supply Voltage (V <sub>cc</sub> )		Output Voltage (V <sub>out</sub> )	Adjustable	Reference Voltage V <sub>ref</sub>	Output Current I <sub>out</sub> (Typ.)	Dropout Voltage V <sub>drop</sub> (Typ.)	Quiescent Current I <sub>q</sub> (Typ.)	Output Voltage Accuracy	Package Description
	(Min.)	(Max.)								
	(V)		(V)	(V)	(V)	(A)	(V)	(μA)	(± %)	
TS5204CY50		20	5			0.08	0.3	2600	4	SOT-89
TS5205CX550		20	5			0.15	0.17	1300	2	SOT-25
TS5213CX550		20	5			0.08	0.32	1800	3	SOT-25
TS5205CX5		20		Yes	1.25	0.15	0.17	1300	2	SOT-25
TS2937CM33		26	3.3			0.5	0.6	25000	2	TO-263 (D <sup>2</sup> -PAK)
TS2937CP33		26	3.3			0.5	0.6	25000	2	TO-252 (D-PAK)
TS2937CW33		26	3.3			0.5	0.6	25000	2	SOT-223
TS2937CZ33		26	3.3			0.5	0.6	25000	2	TO-220
TS2938CS33		26	3.3			0.5	0.5	25000	2	SOP-8
TS2940CM33		26	3.3			1	0.6	75000	2	TO-263 (D <sup>2</sup> -PAK)
TS2940CP33		26	3.3			1	0.6	75000	2	TO-252 (D-PAK)
TS2940CW33		26	3.3			1	0.6	75000	2	SOT-223
TS2940CZ33		26	3.3			1	0.6	75000	2	TO-220
TS2937CM50		26	5			0.5	0.6	25000	2	TO-263 (D <sup>2</sup> -PAK)
TS2937CP50		26	5			0.5	0.6	25000	2	TO-252 (D-PAK)
TS2937CW50		26	5			0.5	0.6	25000	2	SOT-223
TS2937CZ50		26	5			0.5	0.6	25000	2	TO-220
TS2938CS50		26	5			0.5	0.5	25000	2	SOP-8
TS2940CM50		26	5			1	0.6	75000	2	TO-263 (D <sup>2</sup> -PAK)
TS2940CP50		26	5			1	0.6	75000	2	TO-252 (D-PAK)
TS2940CW50		26	5			1	0.6	75000	2	SOT-223
TS2940CZ50		26	5			1	0.6	75000	2	TO-220
TS2951CS30		30	3.0			0.15	0.38	8000	1.5	SOP-8
TS2951CS33		30	3.3			0.15	0.38	8000	1.5	SOP-8
TS3480CX33		30	3.3			0.1	0.95	3000	2	SOT-23
TS78L03ACY		30	3.3			0.1	2	3000	4	SOT-89

Part Number	Supply Voltage (V <sub>cc</sub> )		Output Voltage (V <sub>out</sub> )	Adjustable	Reference Voltage V <sub>ref</sub>	Output Current I <sub>out</sub> (Typ.)	Dropout Voltage V <sub>drop</sub> (Typ.)	Quiescent Current I <sub>q</sub> (Typ.)	Output Voltage Accuracy	Package Description
	(Min.)	(Max.)								
	(V)		(V)	(V)	(V)	(A)	(V)	(μA)	(± %)	
TS78L03CS		30	3.3			0.1	2	3000	4	SOP-8
TS78L03CX		30	3.3			0.1	2	3000	4	SOT-23
TS2951CS50		30	5			0.15	0.38	8000	1.5	SOP-8
TS3480CX50		30	5			0.1	0.95	3000	2	SOT-23
TS78L05ACY		35	5			0.1	2	3000	4	SOT-89
TS78L05CS		35	5			0.1	2	3000	4	SOP-8
TS78L05CX		35	5			0.1	2	3000	4	SOT-23
TS78L09ACY		35	9			0.1	2	3000	4	SOT-89
TS78L09CS		35	9			0.1	2	3000	4	SOP-8
TS78L09CX		35	9			0.1	2	3000	4	SOT-23
TS78L12ACY		35	12			0.1	2	3000	4	SOT-89
TS78L12CS		35	12			0.1	2	3000	4	SOP-8
TS78L15ACY		35	15			0.1	2	3000	4	SOT-89
TS78L15CS		35	15			0.1	2	3000	4	SOP-8
TS78L24CS		40	24			0.1	2	4000	4	SOP-8
TS317LCS		40		Yes	1.25	0.1	2		4	SOP-8
TS4264CW50		45	5			0.15	0.25	10000	2	SOT-223
TS4264GCW50		45	5			0.15	0.25	1700	2	SOT-223

# SWITCHING REGULATOR

(T<sub>A</sub>=25°C unless otherwise noted)

Part Number	Topology	Synchronous Rectification	Supply Voltage (V <sub>cc</sub> )		Fixed Output Voltage (V <sub>out</sub> )	Adjustable Output Voltage (V <sub>out</sub> )	Switch Output Current I <sub>sw</sub> (Typ.)	Switch Output Current I <sub>sw</sub>	Switching Frequency		Quiescent Current (Typ.)	Package Description
			(Min.)	(Max.)					(Min.)	(Max.)		
			(V)	(V)					(V)	(V)		
TS34063CS	Buck (Step-down)	No	3	40		Adj (1.25V Vref)	1.5		0.1	100	3	SOP-8
TS2509CS	Buck (Step-down)	No	4.5	23		Adj (0.8V Vref)	3			500	3	SOP-8
TS2596SCS50	Buck (Step-down)	No	4.5	24	5.0		2			150	4	SOP-8
TS2596SCS	Buck (Step-down)	No	4.5	24		Adj (1.23V Vref)	2			150	4	SOP-8
TS2596CM533	Buck (Step-down)	No	4.5	40	3.3		3			150	5	TO-263-5L (D <sup>2</sup> -PAK)
TS2596CM550	Buck (Step-down)	No	4.5	40	5.0		3			150	5	TO-263-5L (D <sup>2</sup> -PAK)
TS2596CM5	Buck (Step-down)	No	4.5	40		Adj (1.23V Vref)	3			150	5	TO-263-5L (D <sup>2</sup> -PAK)
TS2581CS	Buck (Step-down)	No	4.5	40		Adj (1V Vref)		External P-MOS		100	3	SOP-8

## AUTOMOTIVE LED DRIVER

(T<sub>A</sub>=25°C unless otherwise noted)

Part Number	Topology	Supply Voltage (V <sub>cc</sub> )		Switch Output Current I <sub>sw</sub> (Typ.)	Dimming	Switching Frequency		Package Description
		(Min.)	(Max.)			(Min.)	(Max.)	
		(V)		A		(kHz)		
TSCR420CX6H •	Linear		40	10~300				SOT-26
TSCR421CX6H •	Linear		4.5	10~300	PWM			SOT-26v
TSCR400CX6H •	Linear		40	0.1~65				SOT-26
TSCR402CX6H •	Linear		40	20~65				SOT-26
TS19605CA20H •	Linear	4.5	70	150	Analog and PWM			TSSOP-20EP
TS19503CB10H •	Buck (Step-down)	4.5	75	2000	PWM and Analog			MSOP-10EP

## VOLTAGE REFERENCE

(T<sub>A</sub>=25°C unless otherwise noted)

Part Number	Supply Voltage (V <sub>cc</sub> ) (Max.)	Reference Voltage V <sub>ref</sub> (V)	Accuracy of Reference Voltage V <sub>ref</sub> (± %)	Operating Cathode Current I <sub>ka</sub>		Operating Temperature T <sub>j</sub>		Package Description
				(Typ.)	(Max.)	(Min.)	(Max.)	
				(mA)	(mA)	(°C)		
TS432BIX	18	1.24	0.5	0.02	0.08	-40	85	SOT-23
TS432BCX	18	1.24	0.5	0.02	0.08	0	70	SOT-23
TS432AIX	18	1.24	1	0.02	0.08	-40	105	SOT-23
TS432ACX	18	1.24	1	0.02	0.08	0	70	SOT-23
TS431BCX	37	2.495	0.5	0.4	0.60	0	70	SOT-23
TS431ACX	37	2.495	1	0.4	0.60	0	70	SOT-23

## AC-DC LED DRIVER

(T<sub>A</sub>=25°C unless otherwise noted)

Part Number	Topology	Active PFC	Supply Voltage (V <sub>cc</sub> )		Switch Output Current I <sub>sw</sub> (Typ.)	Switching Frequency		Package Description
			(Min.)	(Max.)		(Min.)	(Max.)	
			(V)		A		(kHz)	
TS19705CX6	PSR FlyBack/Buck-Boost	Yes	7.8	40	External N-MOS	30	200	SOT-26

## DC-DC LED DRIVER

(T<sub>A</sub>=25°C unless otherwise noted)

Part Number	Topology	Supply Voltage (V <sub>cc</sub> )		Switch Output Current I <sub>sw</sub> (Typ.)	Dimming	Switching Frequency		Package Description
		(Min.)	(Max.)			(Min.)	(Max.)	
		(V)		A		(kHz)		
TS19371CX6	Boost (Step-up)	2.5	18	0.65	PWM	800	1600	SOT-26
TS19376CY5	Buck (Step-down)	8	32	1	PWM		1000	SOT-89-5L

# SENSOR

<b>MAGNETIC SENSOR.....</b>	<b>224</b>
OMNI-POLAR.....	224
UNI-POLAR .....	224
LINEAR.....	224

## OMNI-POLAR

(T<sub>A</sub>=25°C unless otherwise noted)

Part Number	Supply Voltage (V <sub>cc</sub> )		Output Current	Supply Current	Magnetic Field Operating Point (B <sub>op</sub> )		Magnetic Field Release Point (B <sub>rp</sub> )		Package Description
	Min. (V)	Max. (V)	(mA)	Typ. (mA)	Min. (G)	Max. (G)	Min. (G)	Max. (G)	
TSH251CT	1.65	3.5	1	1.4	-55	55	v10	-10	TO-92S
TSH251CX	1.65	3.5	1	1.4	-55	55	10	-10	TSOT-23
TSH253CT	1.8	6	1	2.6	-60	60	5	-5	TO-92S
TSH253CX	1.8	6	1	2.6	-60	60	5	-5	SOT-23
TSH248CX	2.5	3.5	2	2.5	6	60	5	59	TSOT-23
TSHA6151CQ	2.7	30	±500	50	±13	±29	±10	±26	TDFN2x3-6L

## LINEAR

(T<sub>A</sub>=25°C unless otherwise noted)

Part Number	Supply Voltage (V <sub>cc</sub> )		Output Current	Supply Current	Magnetic Field Operating Point (B <sub>op</sub> )		Magnetic Field Release Point (B <sub>rp</sub> )		Package Description
	Min. (V)	Max. (V)	(mA)	Typ. (mA)	Min. (G)	Max. (G)	Min. (G)	Max. (G)	
TSH193CT	2.5	16	13		5	25	-25	-5	TO-92S
TSH193CX	2.5	16	13		5	25	-25	-5	SOT-23
TSH188CT	2.5	24	50	5	5	25	-25	-5	TO-92S
TSH188CX	2.5	24	50	5	5	25	-25	-5	SOT-23
TSH181CT	3.5	20	25	4	5	90	-90	-5	TO-92S
TSH190CT	4	30	25	3	10	110	-110	-10	TO-92S
TSH190CX	4	30	25	3	10	110	-110	-10	SOT-23

## UNI-POLAR

(T<sub>A</sub>=25°C unless otherwise noted)

Part Number	Supply Voltage (V <sub>cc</sub> )		Output Current	Supply Current	Magnetic Field Operating Point (B <sub>op</sub> )		Magnetic Field Release Point (B <sub>rp</sub> )		Package Description
	Min. (V)	Max. (V)	(mA)	Typ. (mA)	Min. (G)	Max. (G)	Min. (G)	Max. (G)	
TSH282CT	3	24	50	2.5	45	100	25	70	TO-92S
TSH282CX	3	24	50	2.5	45	100	25	70	SOT-23



# WIDE BANGAP

GAN TRANSISTOR ..... 226

# GAN TRANSISTOR

( $T_A=25^\circ\text{C}$  unless otherwise noted)

Part Number	$V_{DS}$	$V_{GS}$	$V_{GS(th)}$			$I_D$ Max. (A)	$R_{DS(on)}$ @ 6V		$Q_g$ (nC) @6V	$Q_{gs}$ (nC)	$Q_{rr}$ (nC)	$C_{iss}$ (pF)	$C_{oss}$ (pF)	$C_{rss}$ (pF)	$T_j$ Max. ( $^\circ\text{C}$ )	Package
	(V)	$\pm$ (V)	Min. (V)	Typ. (V)	Max. (V)		Typ. (m $\Omega$ )	Max. (m $\Omega$ )								
TSG65N068CE	650	-10 to +7	1.1	1.7	2.6	30	50	68	6.7	61	0	235	60	0.6	150	PDFN88
TSG65N110CE	650	-10 to +7	1.1	1.7	2.6	18	78	110	4	37	0	132	34	0.4	150	PDFN88
TSG65N195CE	650	-10 to +7	1.1	1.7	2.6	11	150	195	2.2	19	0	70	20	0.4	150	PDFN88
TSG65N190CR	650	-10 to +7	1.1	1.7	2.6	11	150	190	2.2	19	0	70	20	0.4	150	PDFN56

# PACKAGE CODE LIST

REEL PACKING .....	228
AMMO BOX PACKING .....	231
BULK PACKING .....	231
TUBE PACKING .....	232
TRAY PACKING .....	232

## REEL PACKING

Outline (Package)	Reel (pc)	Inner Box (pc)	Carton (pc)	Carton Size (mm)	Gross Weight (kg/Carton)	Reel Size (inch)	Packing Code
0503	4,000	20,000	120,000	397x216x232	3.60	7	RG
0603	4,000	20,000	120,000	397x216x232	3.70	7	RG
0805	10,000	20,000	100,000	380x360x260	4.70	13	RB
0805	5,000	30,000	150,000	395x220x235	7.00	7	RY
1005	4,000	20,000	120,000	397x216x232	4.00	7	RW
1206	10,000	20,000	100,000	380x360x260	5.00	13	RA
1206	5,000	30,000	150,000	395x220x235	7.50	7	RX
0603 (Ceramics)	10,000	20,000	100,000	380x360x260	6.30	13	RC
0603 (Ceramics)	5,000	30,000	150,000	395x220x235	5.70	7	RZ
0603-B	4,000	20,000	120,000	397x216x232	3.70	7	RG
0805 (Ceramics)	10,000	20,000	100,000	380x360x260	6.60	13	RB
0805 (Ceramics)	5,000	30,000	150,000	395x220x235	6.00	7	RY
1206 (Ceramics)	10,000	20,000	100,000	380x360x260	6.90	13	RA
1206 (Ceramics)	5,000	30,000	150,000	395x220x235	6.60	7	RX
2510P10 (DSON10)	3,000	18,000	108,000	385x270x217	5.00	7	RD
DFN1006 (0402)	5,000	30,000	180,000	385x270x217	4.00	7	RJ
DFN1006L	10,000	60,000	360,000	385x270x217	4.06	7	RJ
DFN0603-2L	10,000	100,000	400,000	445x445x240	6.120	7	M7
DFN1006-2L	10,000	50,000	400,000	400x390x290	6.12	7	M5
DFN1006-3L	10,000	60,000	360,000	385x270x217	4.06	7	RN
DFN22	3,000	12,000	144,000	485x410x355	10.00	7	RF
DFN2510-10L	3,000	30,000	120,000	450x445x250	6.84	7	RI
DO-204AL (DO-41)	5,000	5,000	25,000	375x375x425	9.05	14	RO
DO-34	10,000	10,000	50,000	375x375x425	8.93	14	RO
DO-35	10,000	10,000	50,000	375x375x425	9.13	14	RO
MELF	5,000	10,000	50,000	360x355x233	9.60	13	LO

Outline (Package)	Reel (pc)	Inner Box (pc)	Carton (pc)	Carton Size (mm)	Gross Weight (kg/Carton)	Reel Size (inch)	Packing Code
MELF (Plastic)	5,000	10,000	50,000	360x356x230	11.05	13	LO
MMELF	2,500	15,000	90,000	385x270x217	5.79	7	L1
MMELF	10,000	30,000	150,000	360x355x233	8.80	13	LO
MSOP-10EP	5,000	5,000	45,000	385x375x390	7.83	13	RB
PDFN33	5,000	10,000	50,000	475x400x200	7.28	13	RG
PDFN33 Dual	5,000	10,000	50,000	475x400x200	7.28	13	RG
PDFN56	2,500	5,000	25,000	390x380x305	7.90	13	RL
PDFN56	3,000	3,000	45,000	600x390x380	14.87	13	RV
PDFN56 Asymmetric Dual	2,500	5,000	25,000	390x380x305	7.90	13	RL
PDFN56 Dual	2,500	5,000	25,000	390x380x305	7.90	13	RL
PDFN56U	2,500	5,000	25,000	375x290x395	7.98	13	RL
PDFN56U Dual	2,500	5,000	25,000	375x290x395	7.88	13	RL
PDFN88	3,000	3,000	45,000	600x390x380	20.22	13	RV
QMMELF	10,000	30,000	150,000	360x355x233	9.80	13	LO
QMMELF	2,500	15,000	90,000	385x270x217	5.88	7	L1
SOD-123	3,000	45,000	180,000	440x440x230	7.86	7	RH
SOD-123	3,000	30,000	120,000	438x438x220	7.59	7	RI
SOD-123F	3,000	18,000	108,000	385x270x217	4.74	7	RH
SOD-323	3,000	30,000	120,000	440x440x230	6.80	7	RI
SOD-323	3,000	45,000	180,000	438x438x220	9.00	7	RQ
SOD-323	3,000	45,000	180,000	440x440x230	6.94	7	RR
SOD-323	3,000	45,000	180,000	440x440x230	6.94	7	RV
SOD-323	3,000	18,000	108,000	385x270x217	4.10	7	RW
SOD-323F	10,000	30,000	150,000	360x355x233	6.43	13	R9
SOD-323F	3,000	18,000	108,000	385x270x217	4.10	7	RR
SOD-523F	8,000	48,000	288,000	385x270x217	4.39	7	RJ

Remark: All the dimensions and weights mentioned above are described for your reference only; The actual measurement is subject to final confirmation.

## REEL PACKING

Outline (Package)	Reel (pc)	Inner Box (pc)	Carton (pc)	Carton Size (mm)	Gross Weight (kg/Carton)	Reel Size (inch)	Packing Code
SOD-523F	3,000	18,000	108,000	385x270x217	3.67	7	RK
SOD-523F	8,000	120,000	480,000	440x440x230	8.80	7	RS
SOD-523F	3,000	45,000	180,000	440x440x230	6.33	7	RU
SOD-723F	5,000	40,000	200,000	545x202x202	4.09	7	RL
SOP-14	2,500	5,000	25,000	390x380x305	7.90	13	RL
SOP-28	1,500	1,500	12,000	420x355x365	10.50	13	RD
SOP-8	2,500	5,000	25,000	360x355x270	7.60	13	RL
SOP-8	3,000	6,000	30,000	375x285x360	9.00	13	RV
SOP-8EP	2,500	5,000	25,000	390x310x370	8.00	13	RL
SOT-223	2,500	5,000	25,000	390x370x290	8.60	13	RP
SOT-23	10,000	30,000	150,000	360x355x233	7.60	13	R5
SOT-23	3,000	45,000	180,000	438x438x220	8.45	7	RU
SOT-23	3,000	30,000	120,000	438x438x220	8.00	7	RI
SOT-23	3,000	18,000	108,000	385x270x217	4.49	7	RF
SOT-23	3,000	12,000	144,000	380x320x390	8.35	7 <sup>(1)</sup>	RF
	3,000	30,000	120,000	395x295x225	5.25	7 <sup>(1)</sup>	
SOT-23	10,000	20,000	100,000	380x328x390	9.50	13	RK
SOT-25	3,000	18,000	108,000	385x270x217	5.00	7	RF
SOT-25	3,000	12,000	144,000	380x320x390	9.50	7	RF
SOT-26	3,000	45,000	180,000	438x438x220	8.00	7	RP
SOT-26	3,000	18,000	108,000	385x270x217	5.64	7	RF
SOT-26	3,000	12,000	144,000	380x320x390	9.50	7	RF
SOT-26	10,000	20,000	100,000	380x320x390	9.50	13	RK
SOT-323	3,000	45,000	180,000	438x438x220	8.17	7	RV
SOT-323	3,000	18,000	108,000	385x270x217	4.28	7	RF
SOT-363	3,000	45,000	180,000	438x438x220	8.14	7	RE

Outline (Package)	Reel (pc)	Inner Box (pc)	Carton (pc)	Carton Size (mm)	Gross Weight (kg/Carton)	Reel Size (inch)	Packing Code
SOT-363	3,000	18,000	108,000	385x270x217	3.71	7 <sup>(2)</sup>	RF
	3,000	45,000	180,000	440x440x230	7.60	7 <sup>(2)</sup>	
SOT-523	3,000	45,000	180,000	438x438x220	9.00	7	RS
SOT-89	1,000	4,000	48,000	390x290x380	8.50	7	RM
SOT-89-5L	1,000	4,000	48,000	390x290x380	8.50	7	RM
TDFN 2x2	3,000	12,000	144,000	403x387x293	9.00	7	RF
TDFN2x3-6L	3,000	12,000	144,000	403x387x293	8.60	7	M3
TO-252 (D-PAK)	2,500	5,000	25,000	365x365x380	14.91	13	RO
TO-263 (D <sup>2</sup> -PAK)	800	800	4,000	390x360x280	10.00	13	RN
TO-263-2L	800	800	4,000	390x360x280	10.00	13	RN
TO-263-5L (D <sup>2</sup> -PAK)	800	800	4,000	390x360x280	10.00	13	RN
TSOT-23	3,000	12,000	144,000	380x320x390	9.50	7	RF
TSSOP-8	3,000	6,000	30,000	383x360x300	9.00	13	RV
TSSOP-14EP	2,500	5,000	25,000	383x285x390	7.74	13	RL
TSSOP-20EP	2,500	5,000	25,000	383x285x390	8.81	13	RL
A-405	5,000	-	20,000	355x355x363	7.70	13	-
ABS	5,000	10,000	50,000	360x355x245	10.10	13	-
ABS-L	5,000	10,000	50,000	360x355x245	10.10	13	-
D2PAK-D	800	800	6,400	365x355x370	14.80	13	-
DBLS	1,500	3,000	21,000	380x355x383	14.40	13	-
DO-201	1,250	-	5,000	355x355x363	7.70	13	-
DO-201AD	1,250	-	5,000	355x355x363	8.80	13	-
DO-204AC (DO-15)	3,500	-	14,000	355x355x363	8.70	13	-
DO-204AL (DO-41)	5,000	-	20,000	355x355x363	10.00	13	-
DO-214AA (SMB)	3,000	6,000	30,000	360x355x245	7.70	13	-
DO-214AC (SMA)	7,500	15,000	75,000	360x355x245	9.90	13	-

Note (1): Package SOT-23 with special packing (Inner box 3,000 pcs; Carton 120,000 pcs; Carton size: 395x295x225mm; GW:5.25kg) per Device: TSC497CX

Note (2): Package SOT-363 with special packing (Inner box 4,500 pcs; Carton 180,000 pcs; Carton size: 440x440x230mm; GW: 7.6kg) per Device: BAV99S & BAT54T/AD/CD/SD/BR series.

Remark: All the dimensions and weights mentioned above are described for your reference only; The actual measurement is subject to final confirmation.

# REEL PACKING

Outline (Package)	Reel (pc)	Inner Box (pc)	Carton (pc)	Carton Size (mm)	Gross Weight (kg/Carton)	Reel Size (inch)	Packing Code
DO-214AB (SMC)	3,000	6,000	30,000	360x355x245	11.70	13	-
DO-218AB	750	750	3,750	360x355x245	14.10	13	-
TO-269AA (MBS)	3,000	6,000	48,000	355x355x363	13.70	13	-
Micro SMA	12,000	24,000	120,000	360x356x230	5.66	13	-
P2500	800	-	3,200	355x355x363	8.60	13	-
PDFN56	6,000	12,000	60,000	360x356x230	12.70	13	-
R-6	1,000	-	4,000	355x355x363	9.50	13	-
SMAF	7,500	15,000	75,000	360x355x245	7.30	13	-
SMPC4.0	6,000	12,000	60,000	360x356x230	12.70	13	-
TO-277A (SMPC4.6U)	6,000	12,000	60,000	360x356x230	13.11	13	-
TO-277A (SMPC)	6,000	12,000	60,000	360x356x230	12.70	13	-
SOD-123FL	10,000	20,000	100,000	360x355x200	6.08	13	-
SOD-123HE	10,000	20,000	100,000	360x355x200	6.30	13	-
SOD-123W	10,000	20,000	100,000	360x355x200	6.30	13	-
SOD-128	14,000	28,000	140,000	360x355x245	10.10	13	-
Sub SMA	10,000	20,000	100,000	360x355x200	7.00	13	-
TBS	1,800	3,600	25,200	500x360x360	12.80	13	-
Thin SMA	14,000	28,000	140,000	360x355x245	8.80	13	-
ThinDPAK	4,500	9,000	45,000	360x355x245	13.10	13	-
TO-252 (D-PAK)	2,500	5,000	25,000	370x370x290	13.20	13	-
TO-263AB (D <sup>2</sup> -PAK)	800	800	6,400	365x355x370	14.80	13	-
TS-1	5,000	-	20,000	355x355x363	7.10	13	-
YBS	3,000	6,000	42,000	363x363x368	12.75	13	-

Remark: All the dimensions and weights mentioned above are described for your reference only; The actual measurement is subject to final confirmation.

## AMMO BOX PACKING

Outline (Package)	Inner Box (pc)	Carton (pc)	Carton Size (mm)	Gross Weight (kg/Carton)	Packing Code
A-405	3,000	30,000	410x270x247	9.30	A0
A-405	3,000	60,000	595x290x245	15.20	A1
DO-201	500	10,000	413x273x325	12.40	A0
DO-201AD	500	10,000	413x273x325	13.70	A0
DO-204AC (DO-15)	1,500	15,000	410x270x225	8.30	A0
DO-204AL (DO-41)	3,000	30,000	410x270x247	12.70	A0
DO-204AL (DO-41)	3,000	30,000	400x265x195	7.84	A0
DO-204AL (DO-41)	3,000	60,000	595x290x245	19.80	A1
DO-34	5,000	50,000	400x265x195	5.96	A0
DO-34	5,000	50,000	280x276x190	6.45	A2
DO-35	5,000	50,000	400x265x195	6.10	A0
P2500	500	2,500	440x290x205	6.40	A0
R-6	700	3,500	440x290x205	7.45	A0
TO-92	4,000	20,000	360x355x233	6.98	A1
TO-92	2,000	20,000	505x405x240	7.00	A2
TO-92	2,000	20,000	460x340x175	7.40	A3
TO-92S	3,000	30,000	505x405x240	8.00	A3
TS-1	3,000	30,000	410x270x247	8.30	A0
TS-1	3,000	60,000	595x290x245	11.70	A1
TS-1	2,000	24,000	340x340x343	8.20	P0

Remark: All the dimensions and weights mentioned above are described for your reference only; The actual measurement is subject to final confirmation.

## BULK PACKING

Outline (Package)	Inner Box (pc)	Carton (pc)	Carton Size (mm)	Gross Weight (kg/Carton)	Packing Code
TO-92	5,000	50,000	585x190x180	11.1	B1
TO-92	10,000	100,000	525x375x270	24	B2
TO-92	10,000	100,000	520x360x245	24	B0
TO-92S	10,000	100,000	525x375x270	20	B3
TO-92S	10,000	100,000	480x330x400	15.7	B0

## TUBE PACKING

Outline (Package)	Tube (pc)	Inner Box (pc)	Carton (pc)	Carton Size (mm)	Gross Weight (kg/Carton)	Packing Code
DIP-8	50	2,000	20,000	560x310x275	19.42	C3
ITO-220	50	2,000	4,000	565x178x185	11.53	C0
ITO-220S	50	2,000	8,000	600x350x195	21.6	C0
SOP-28	25	1,500	15,000	420x305x195	28.4	C8
TO-220 <sup>(3)</sup>	50	2,000	8,000	600x330x185	24.45	C0
	50	1,000	6,000	630x355x230	18.3	
	50	2,000	4,000	565x178x185	11.87	
TO-247	25	500	2,000	465x427x108	17.22	C1
TO-251 (I-PAK)	75	3,750	30,000	585x350x315	15	C5
TO-251S (I-PAK SL)	75	3,750	30,000	585x350x315	15	X0
TO-262 (I <sup>2</sup> PAK)	50	2,000	4,000	565x178x185	8.3	C0
TO-262S	50	2,000	4,000	565x178x185	8.3	X0
D3K	25	1,500	6,000	411x340x214	15.80	-
DBL	50	5,000	20,000	482x350x335	18.80	-
GBL	25	1,200	2,400	580x193x205	10.20	-
GBU	20	1,000	2,000	501x195x260	12.70	-
I <sup>2</sup> PAK	50	2,000	4,000	565x175x185	10.40	-
ITO-220AB	50	2,000	4,000	580x193x205	11.50	-
ITO-220AC	50	2,000	4,000	580x193x205	11.50	-
TO-220AB	50	2,000	4,000	565x175x185	11.60	-
TO-220AC	50	2,000	4,000	565x175x185	11.60	-
TO-247AD (TO-3P)	30	900	1,800	540x161x250	15.20	-
TS4K	20	1,000	2,000	570x219x227	12.80	-
KBJL	20	1,000	2,000	565x200x185	8.9	-
KBPF	35	2,100	4,200	570x300x110	10.00	-
TS-6P	15	1,200	1,200	505x195x200	12.80	-
TS-6PL	15	750	1,500	500x265x137	11.00	-

Note (3): Package TO-220 with special packing as below:

© Inner box 1,000 pcs; Carton 6,000 pcs; Carton size: 630x355x230mm; GW: 18.3kg per Device: TS2937CZ33, TS2937CZ50, TS2940CZ33, TS2940CZ50, TS79M05CZ.

© Inner box 2,000 pcs; Carton 4,000 pcs; Carton size: 565x178x185mm; GW: 11.87kg per Device: TSM60NB190CZ.

Remark: All the dimensions and weights mentioned above are described for your reference only; The actual measurement is subject to final confirmation.

## TRAY PACKING

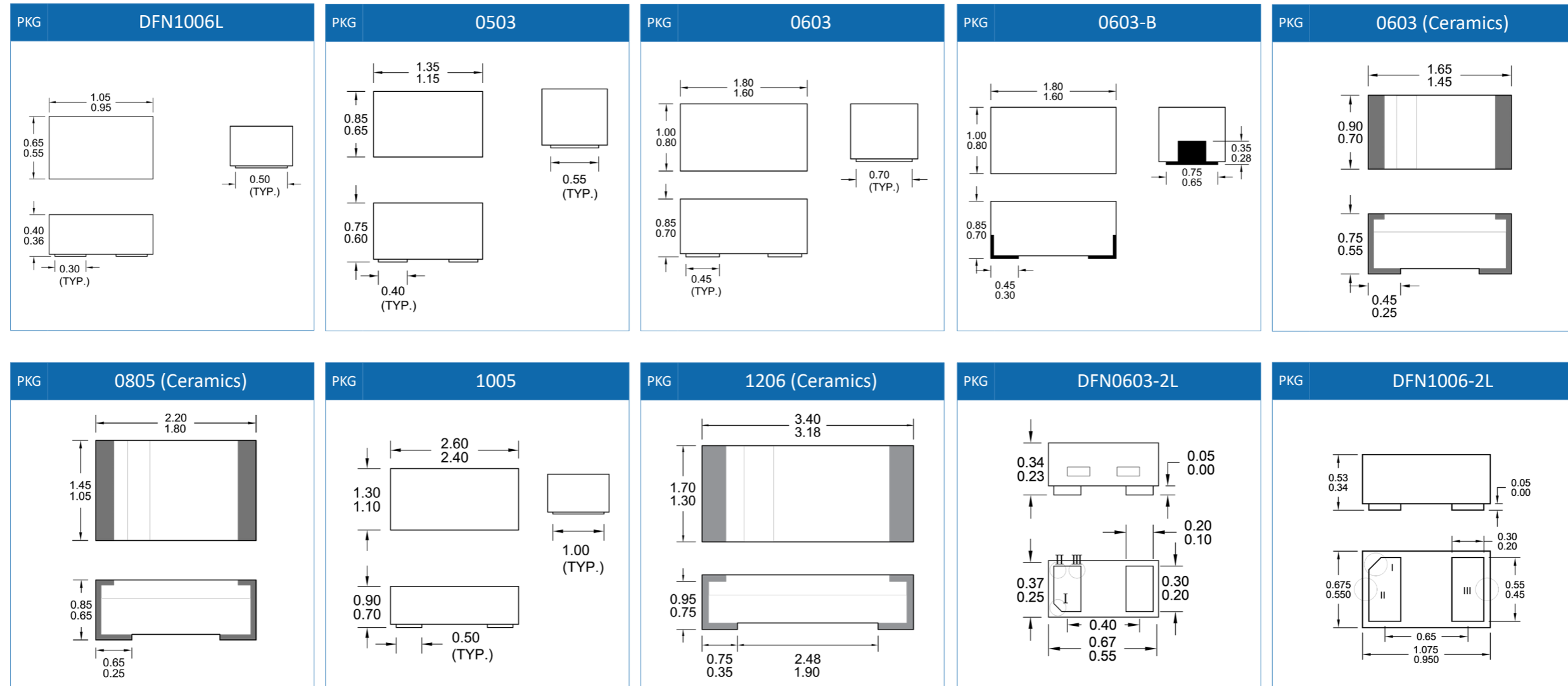
Outline (Package)	Tube (pc)	Inner Box (pc)	Carton (pc)	Carton Size (mm)	Gross Weight (kg/Carton)	Packing Code
KBL	100	1,000	2,000	325x315x295	14.20	-
KBU	100	500	2,000	360x355x245	18.00	-
GBPC-W	50	100	500	360x230x400	11.00	-
GBPC	50	100	500	360x230x400	11.80	-
GBPC40	50	100	500	360x230x400	9.80	-
GBPC-M	50	100	500	360x230x400	11.80	-
GBPC40-M	50	100	500	360x230x400	9.80	-



# OUTLINE DRAWINGS

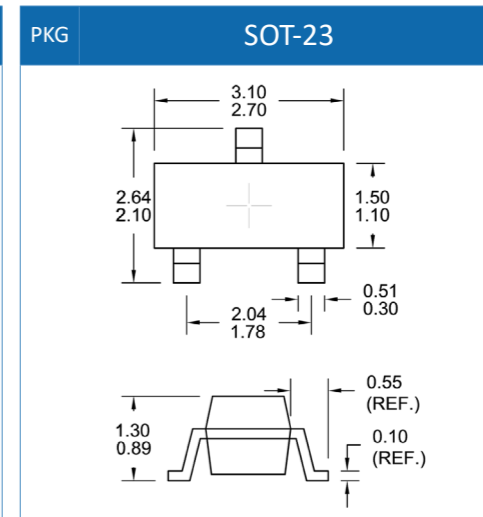
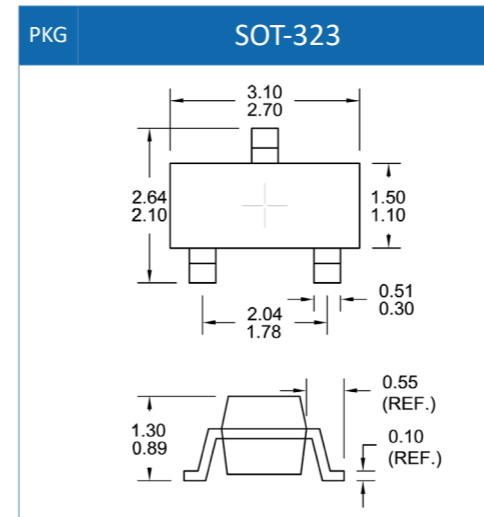
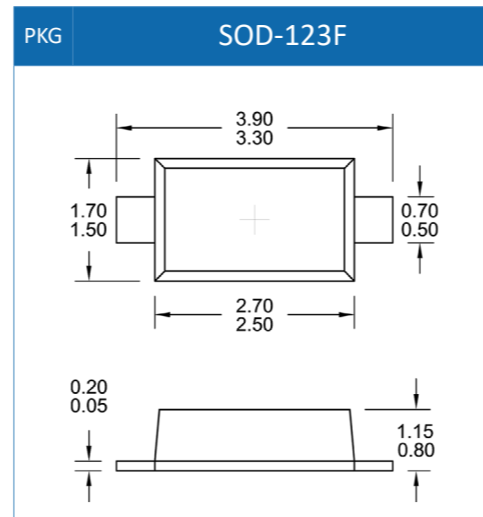
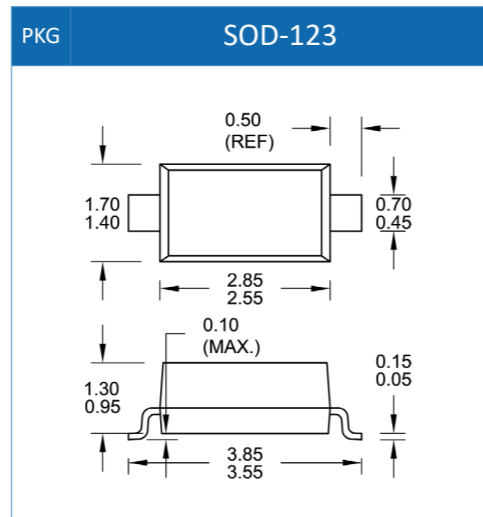
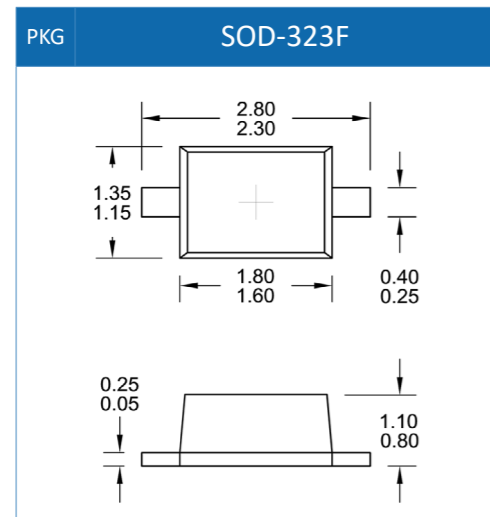
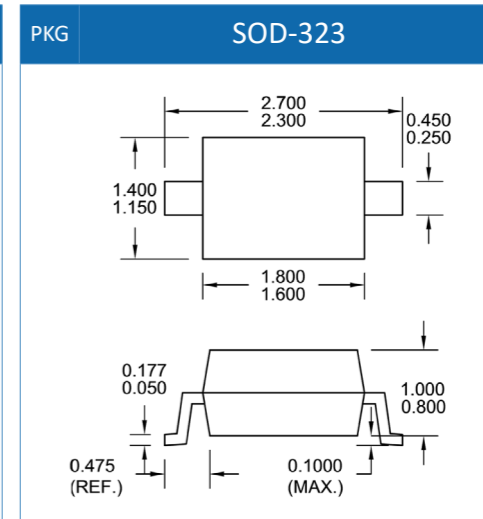
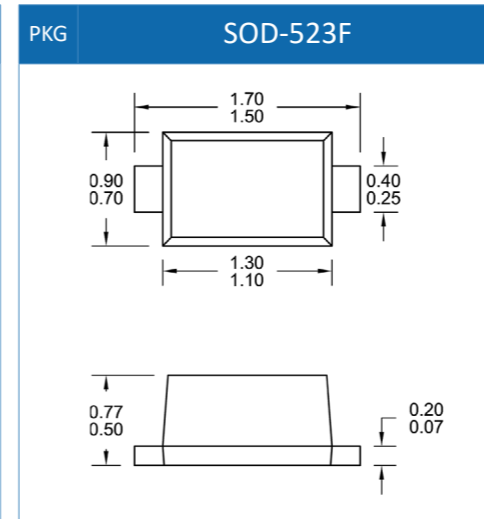
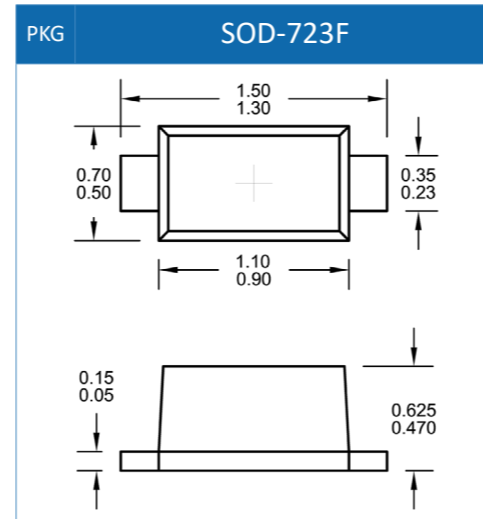
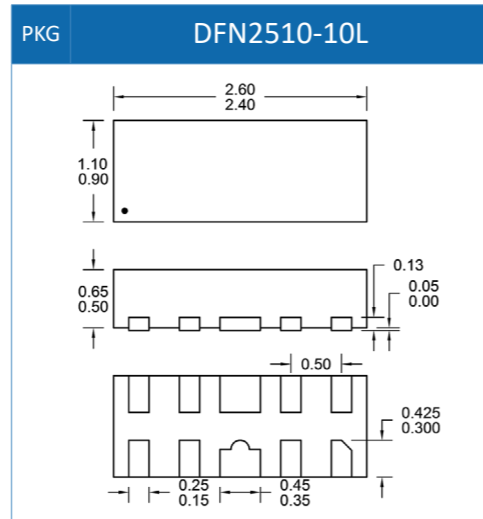
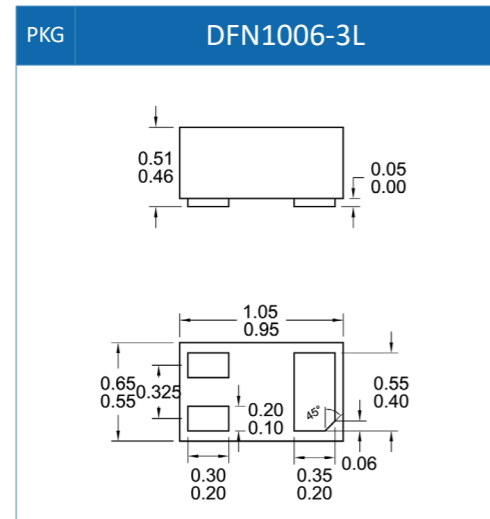
DIODE .....	234
RECTIFIER.....	237
TRANSISTOR .....	243
MOSFET .....	244
IC.....	249
WIDE BANDGAP.....	250

# DIODE



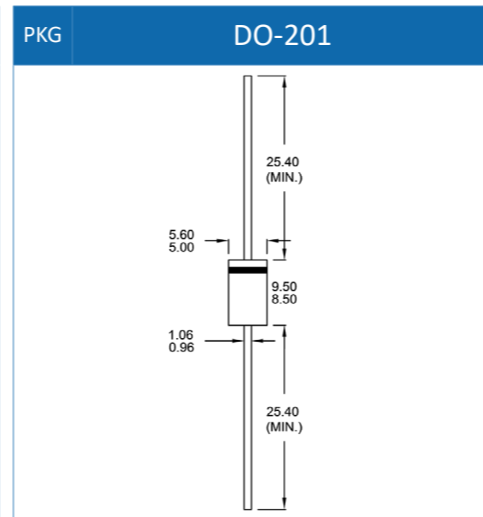
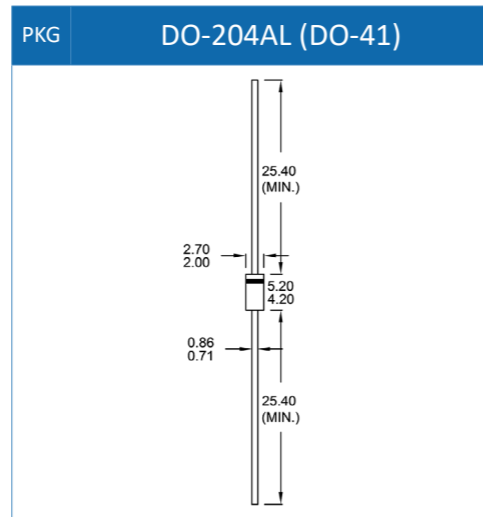
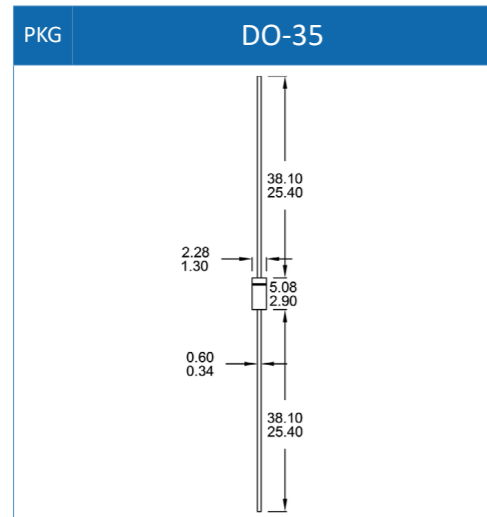
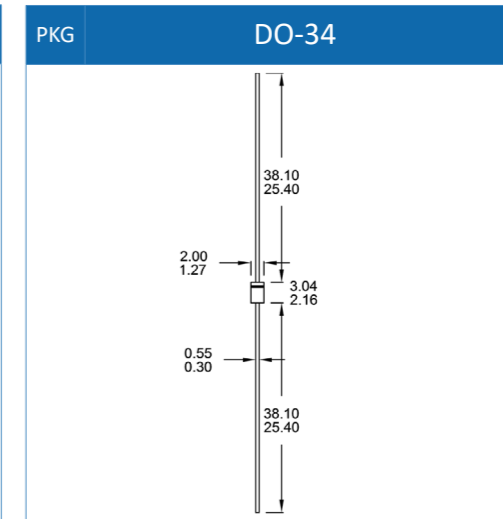
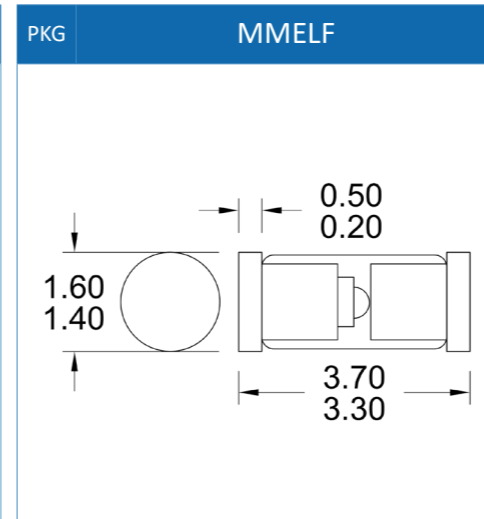
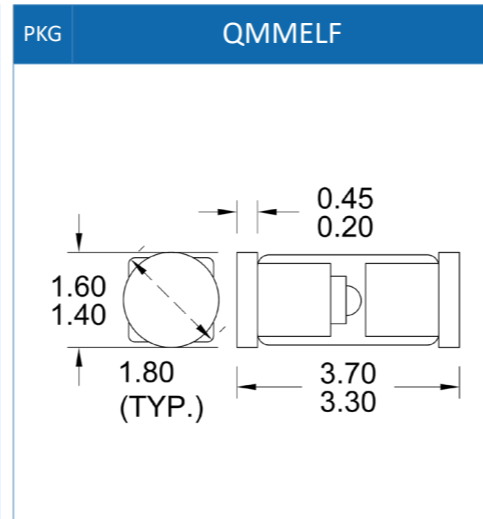
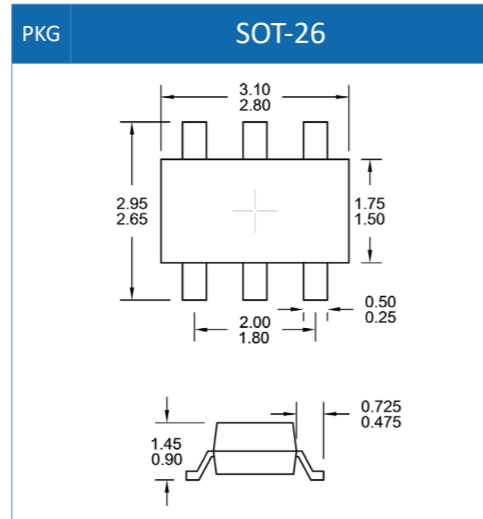
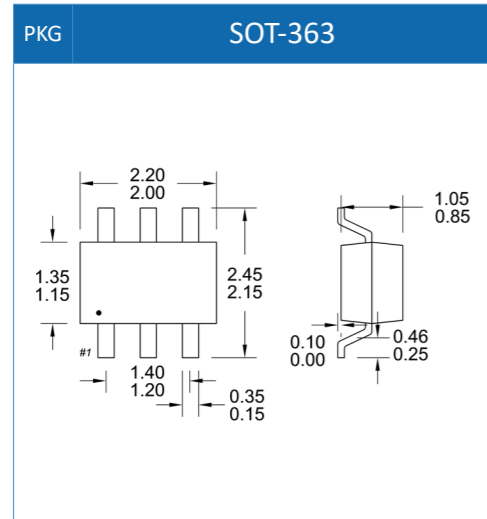
Unit: millimeter

# DIODE



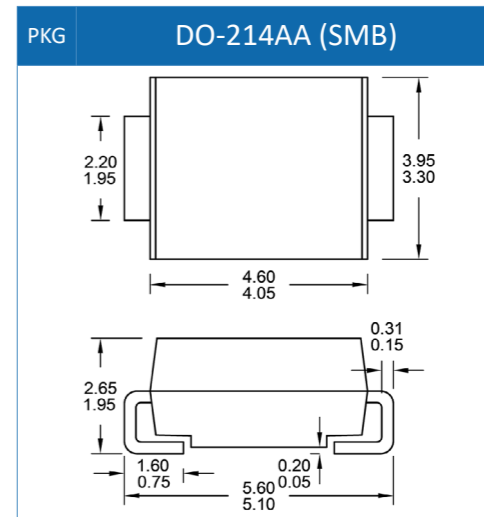
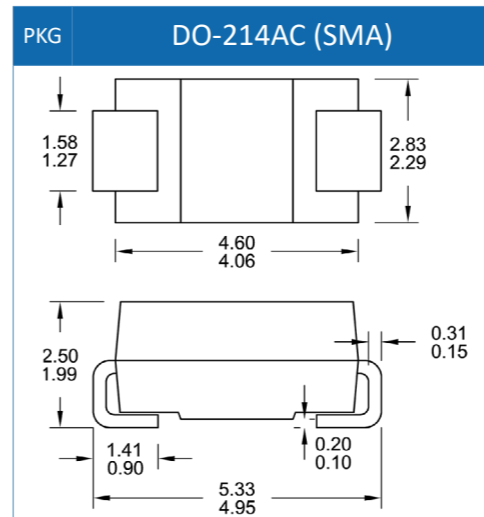
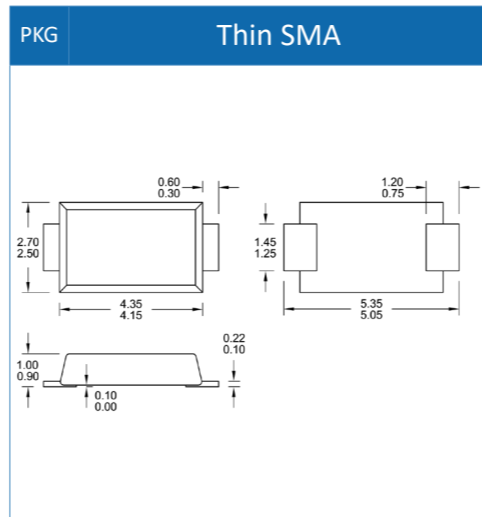
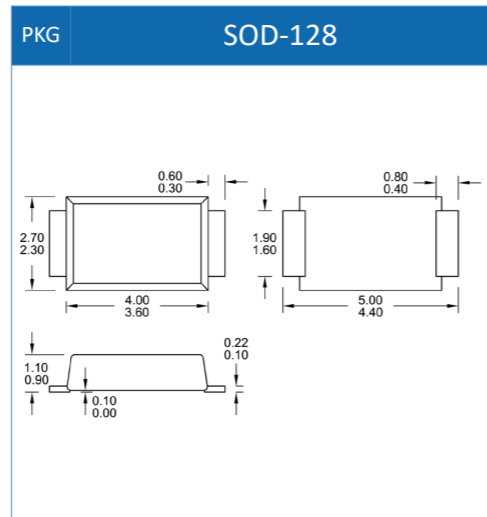
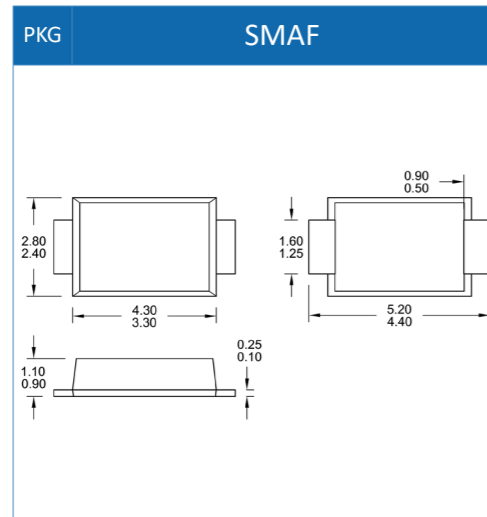
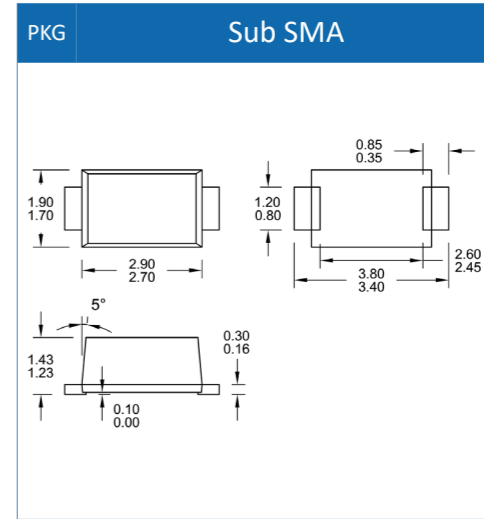
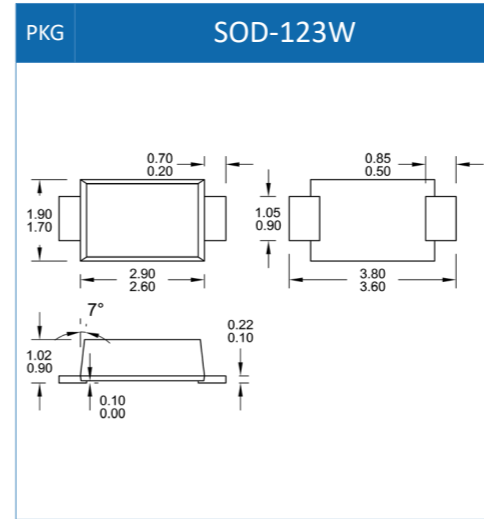
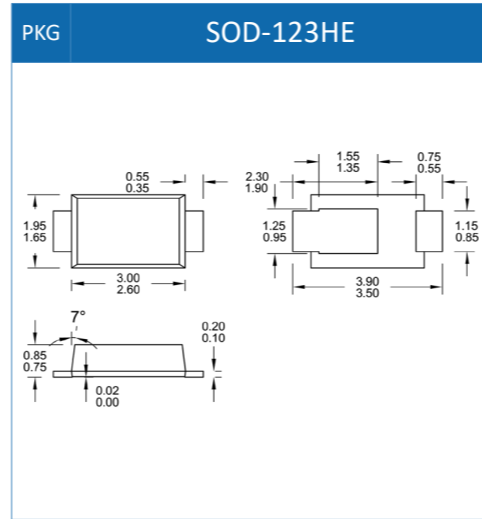
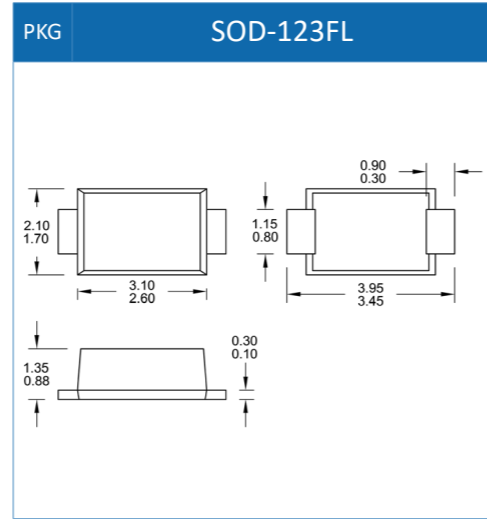
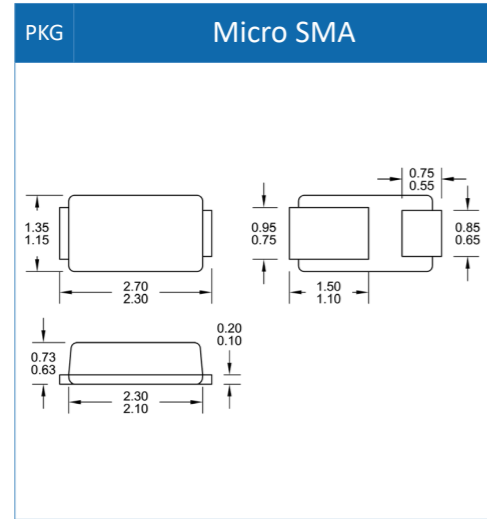
Unit: millimeter

# DIODE



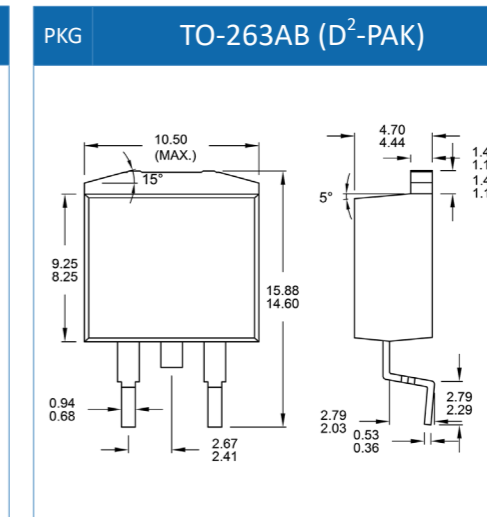
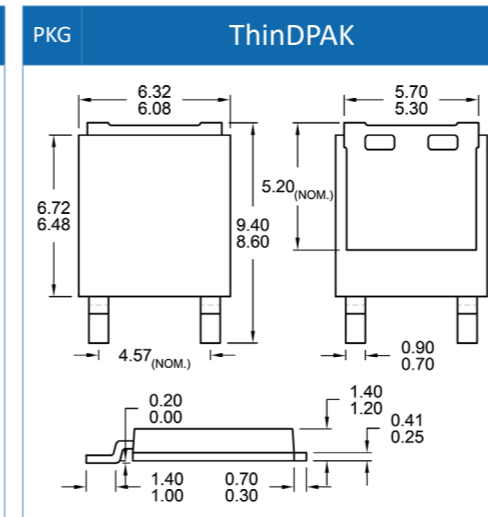
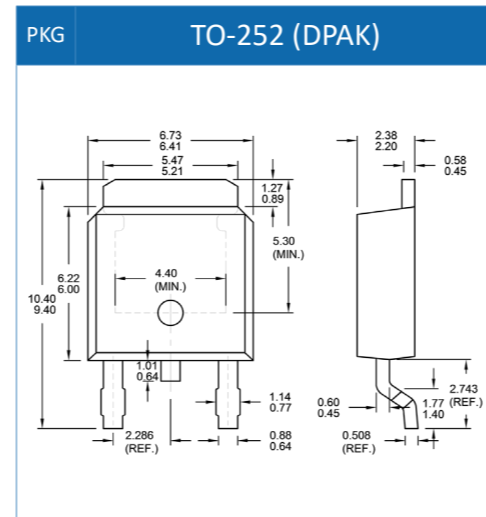
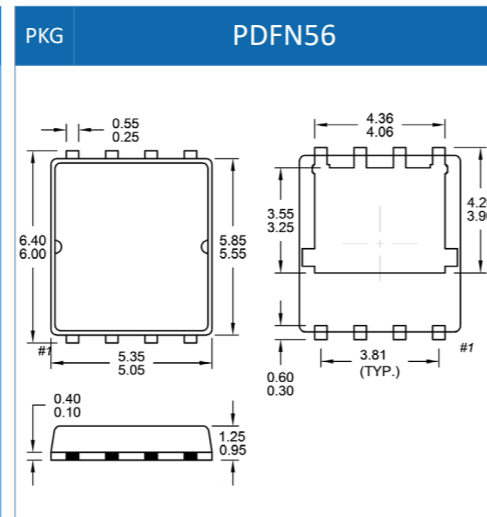
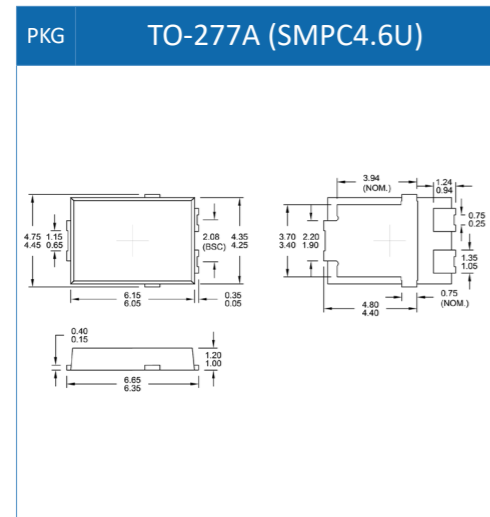
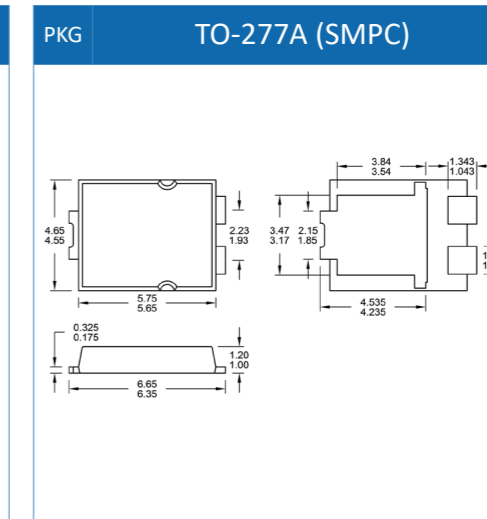
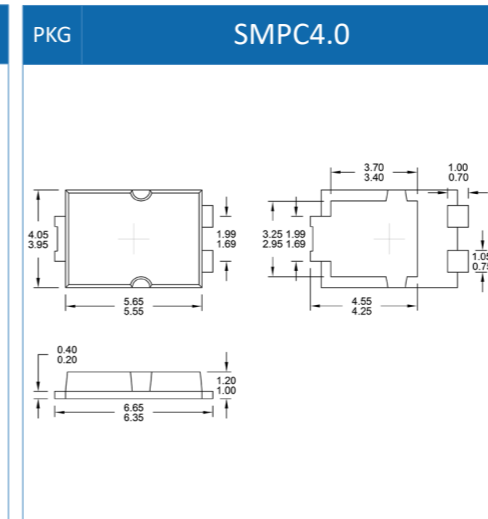
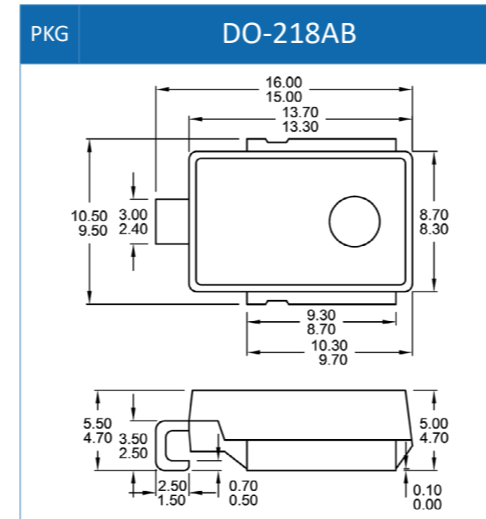
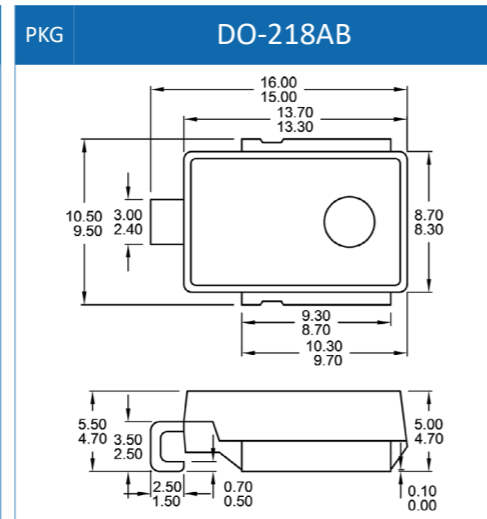
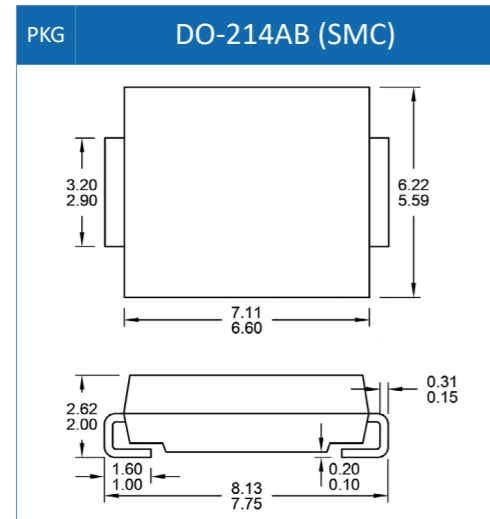
Unit: millimeter

# RECTIFIER



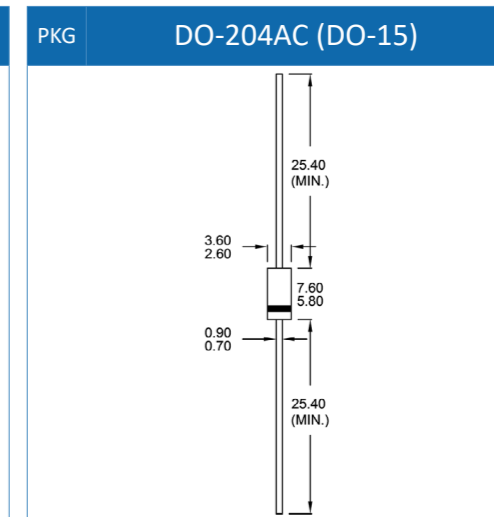
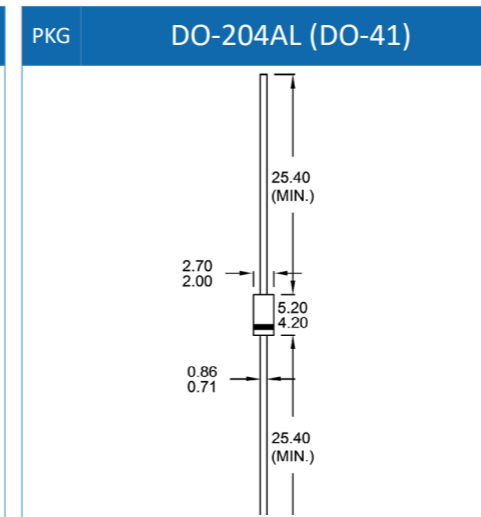
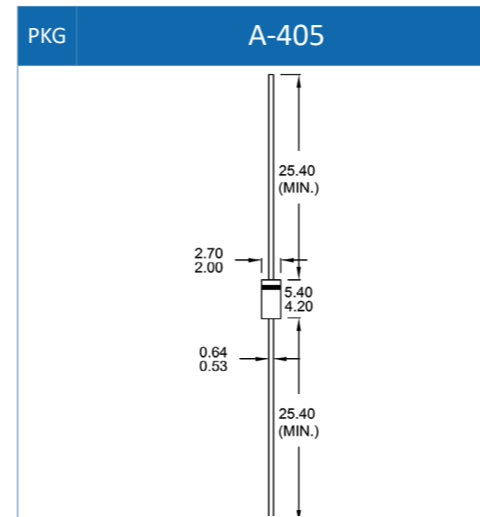
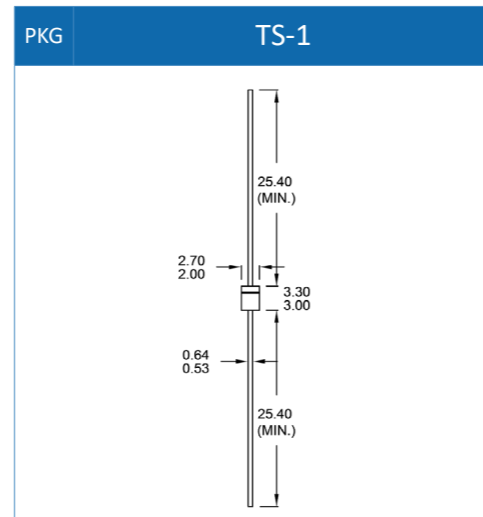
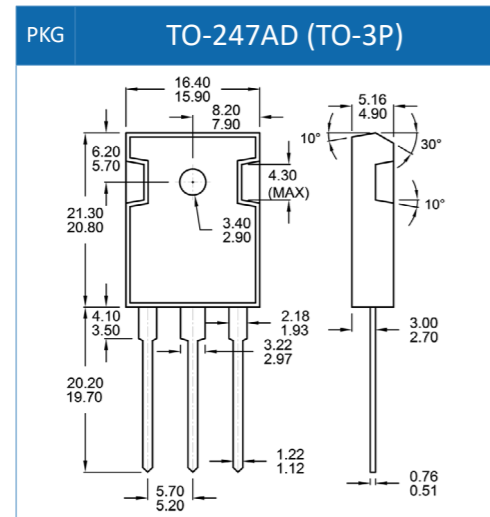
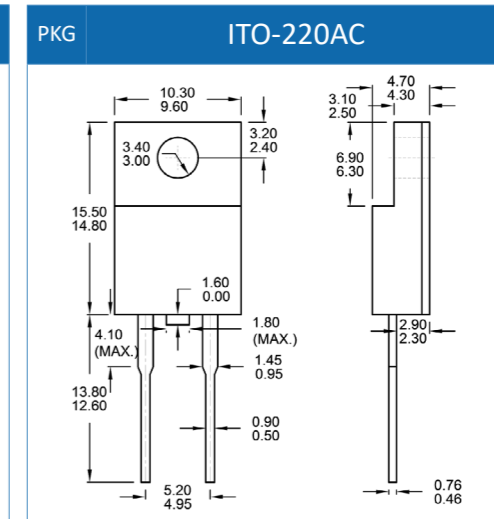
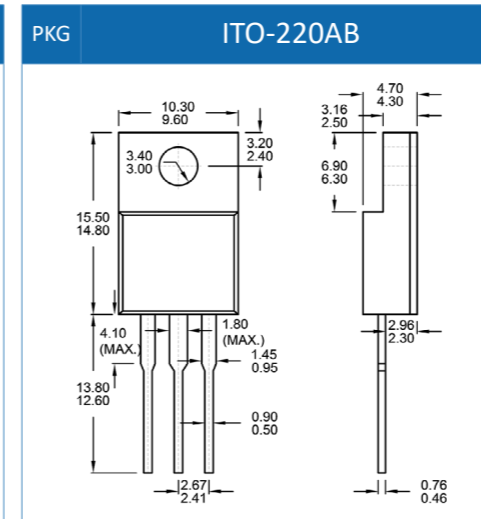
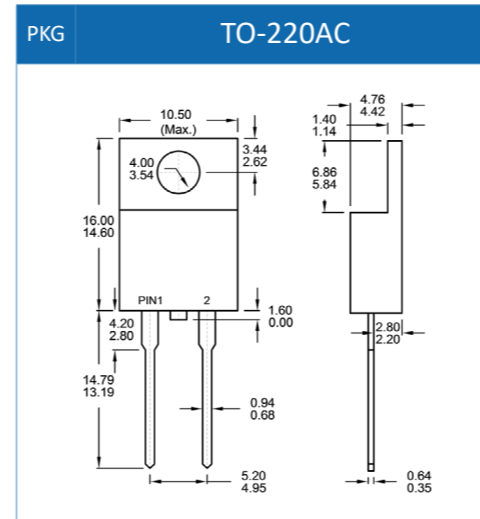
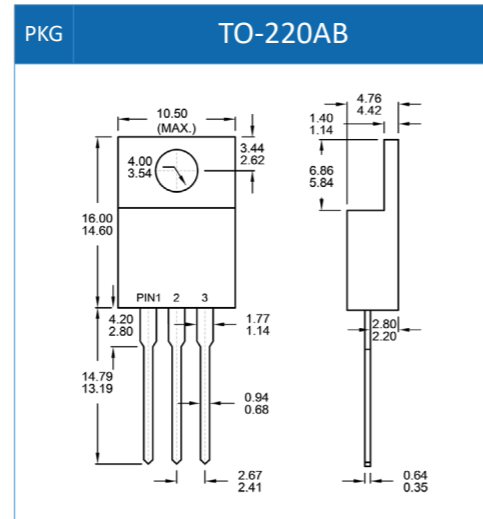
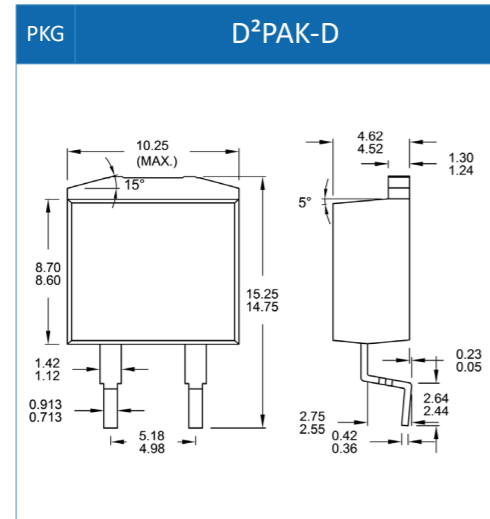
Unit: millimeter

# RECTIFIER



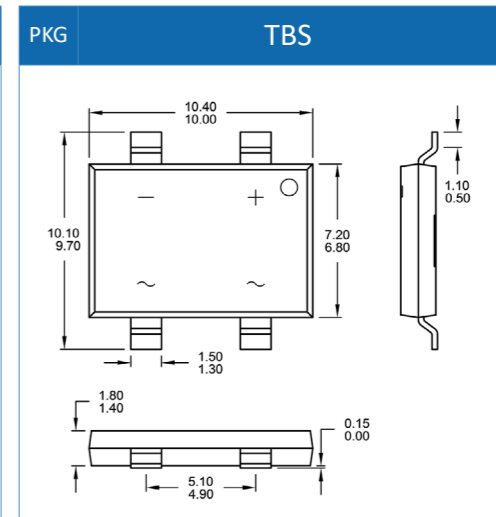
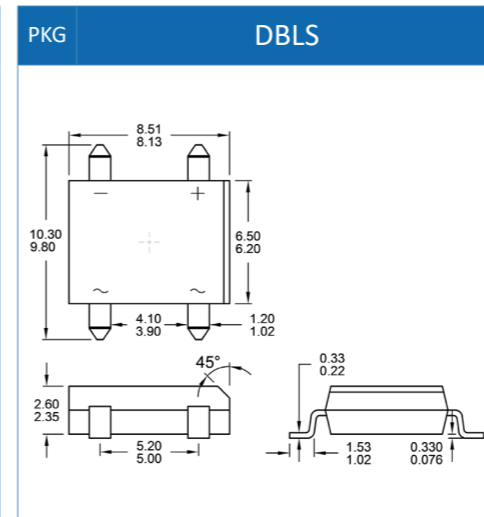
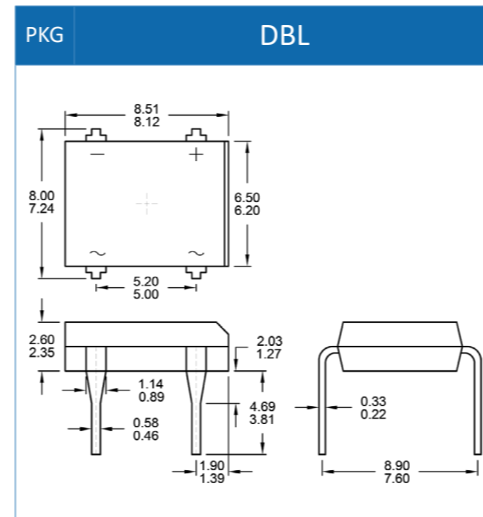
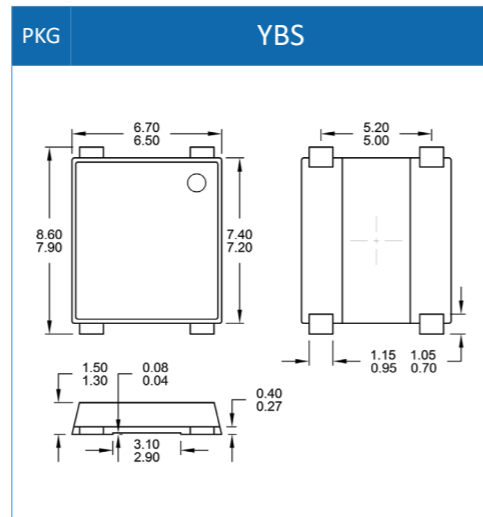
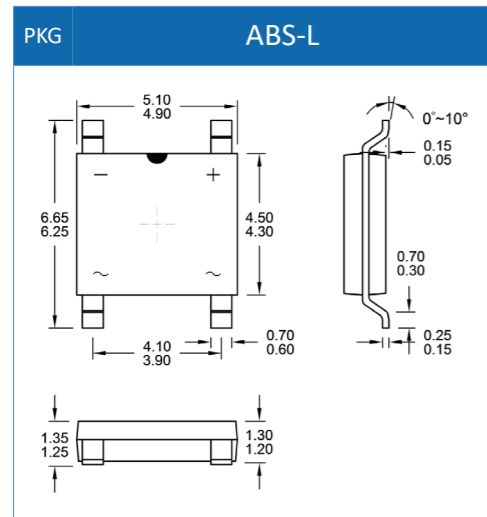
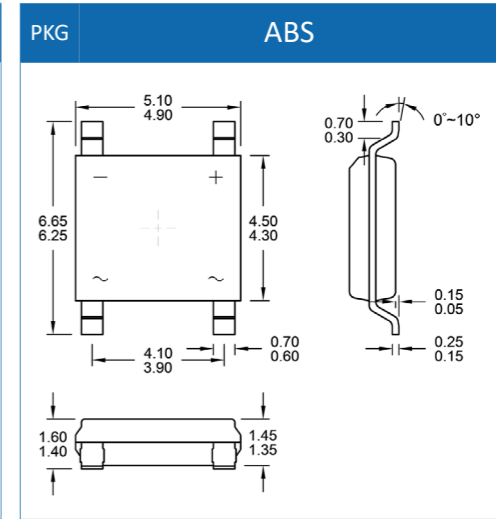
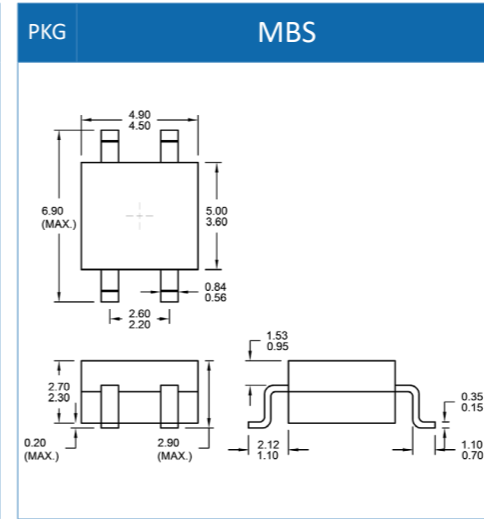
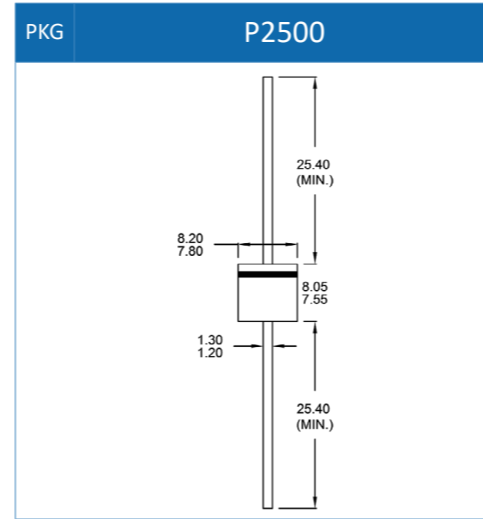
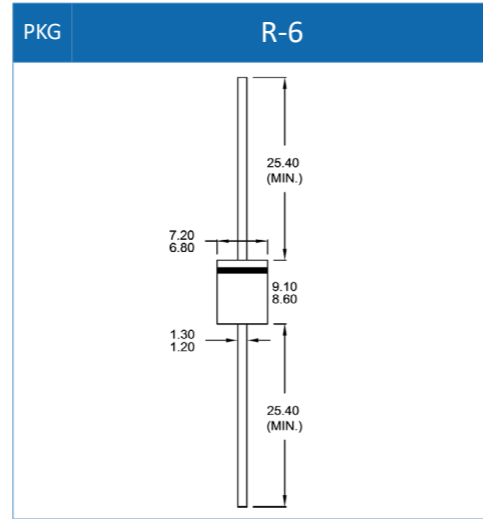
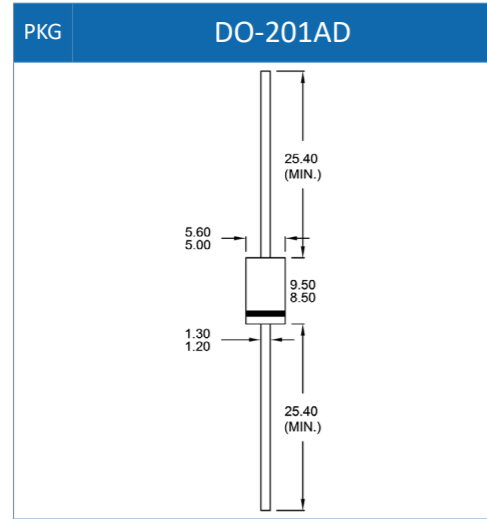
Unit: millimeter

# RECTIFIER



Unit: millimeter

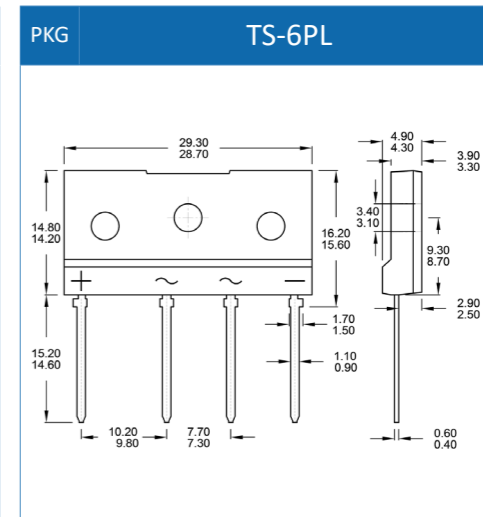
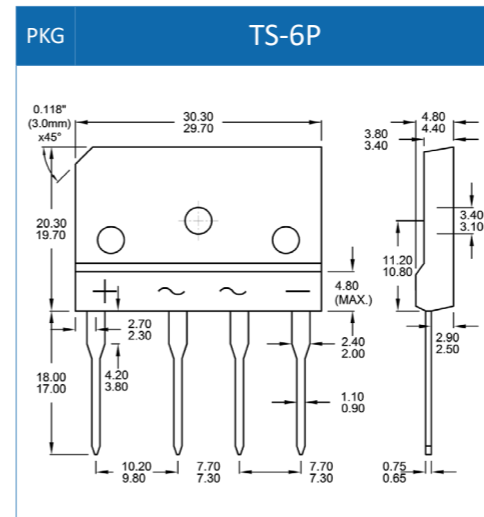
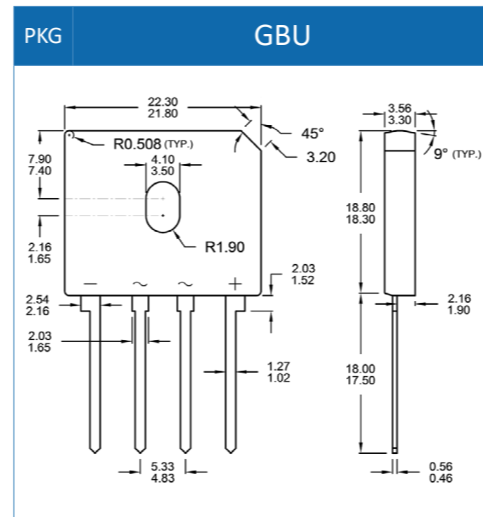
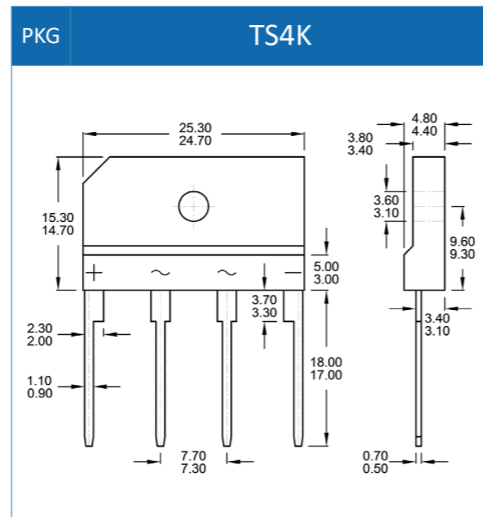
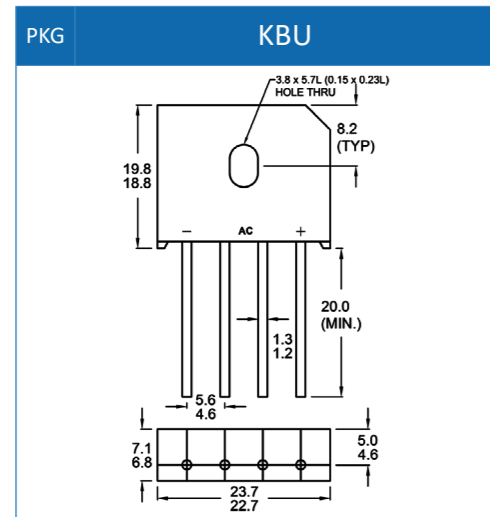
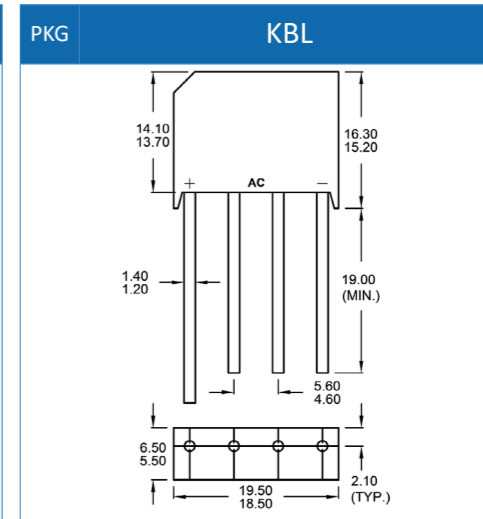
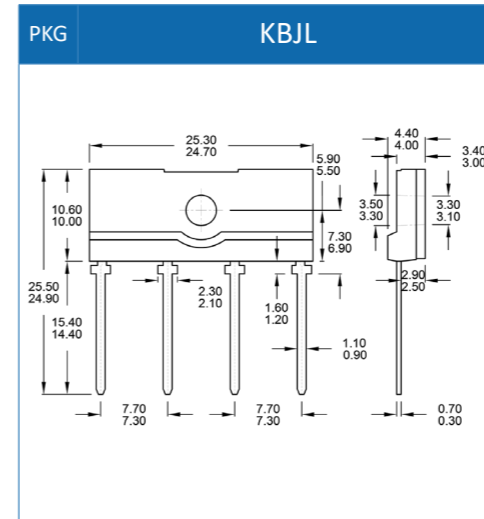
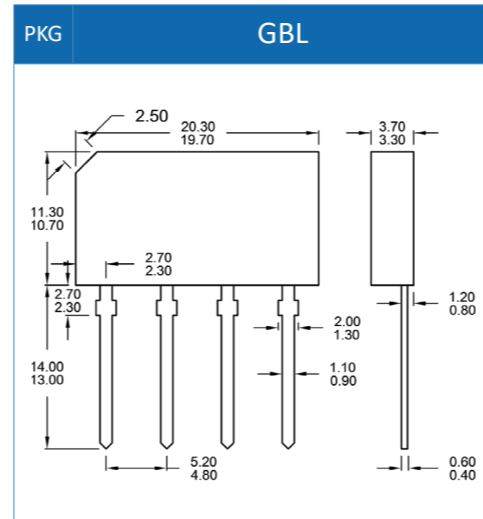
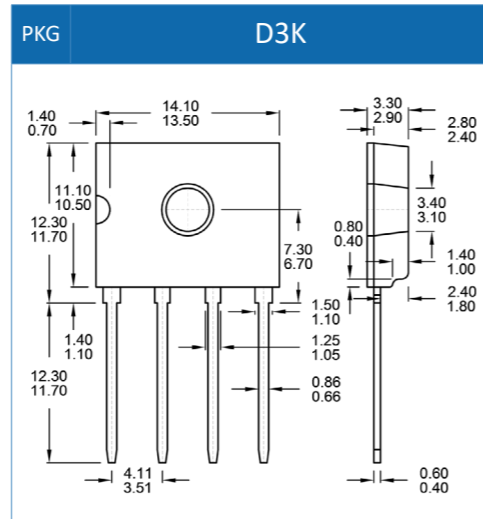
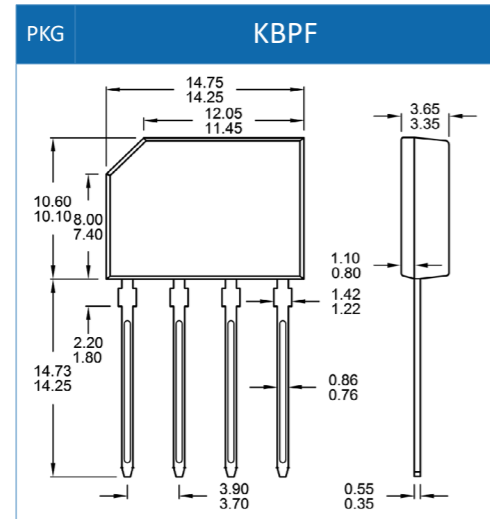
# RECTIFIER



Unit: millimeter

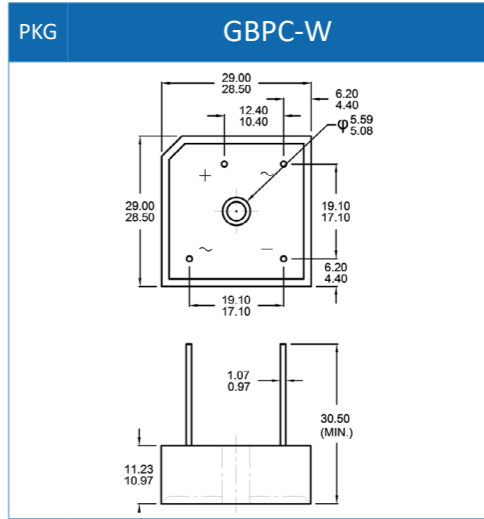
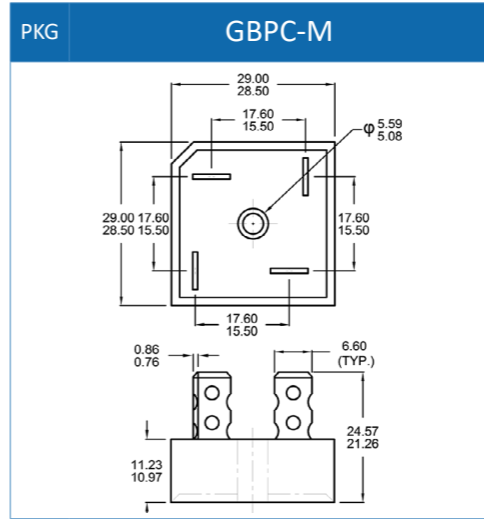
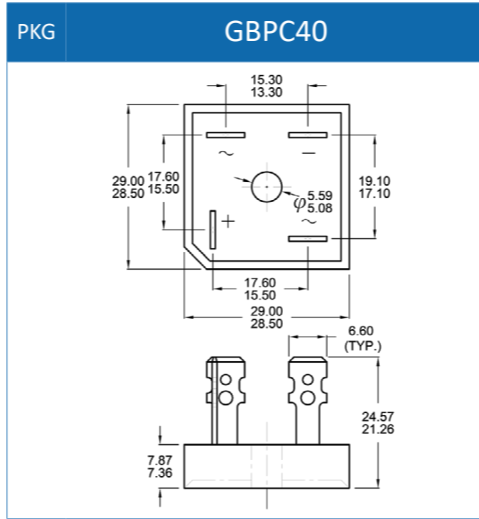
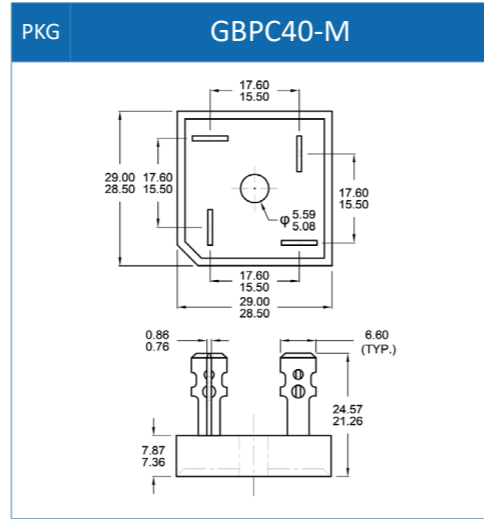
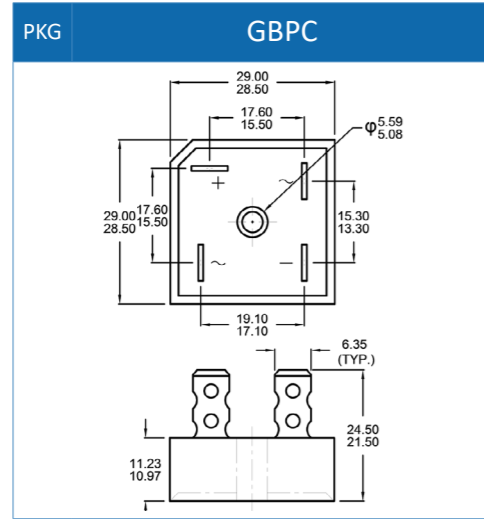


# RECTIFIER



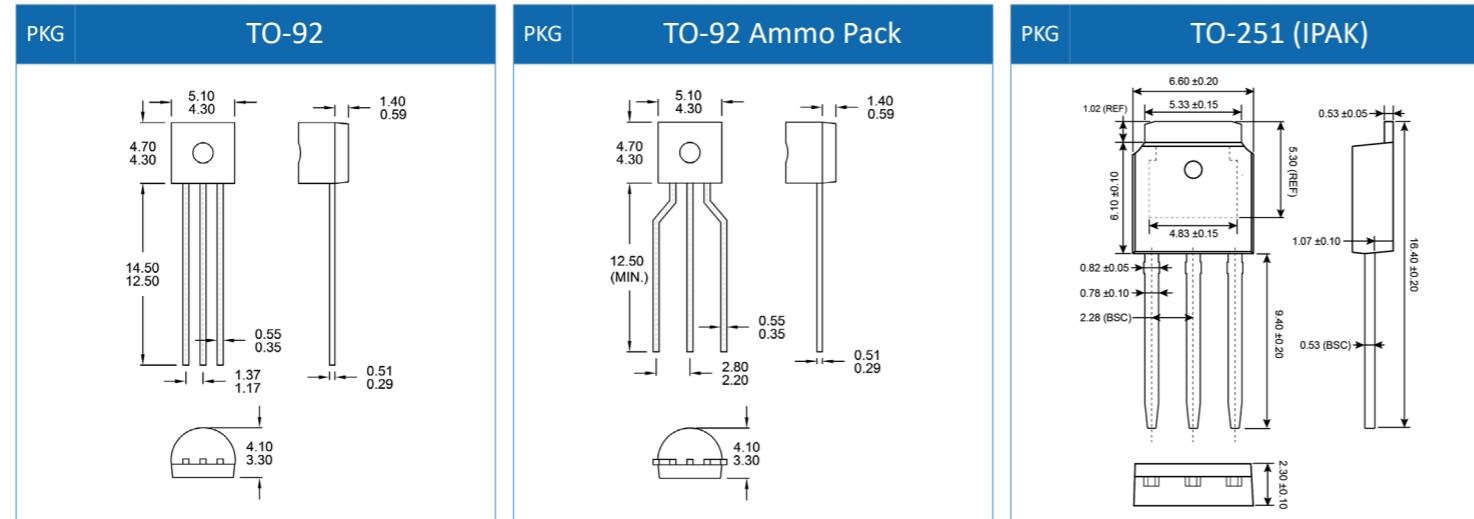
Unit: millimeter

# RECTIFIER



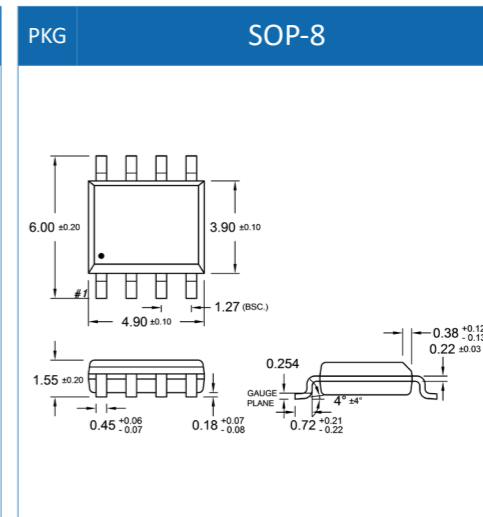
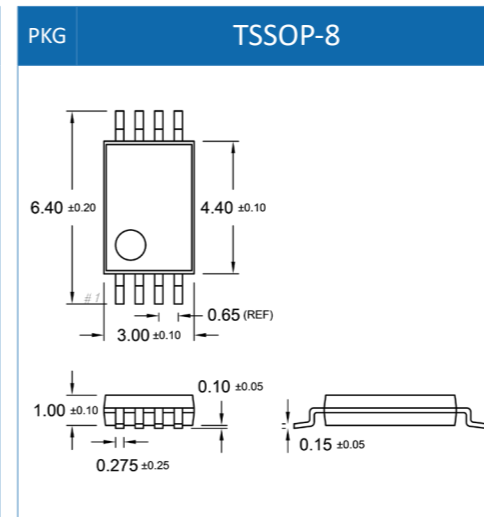
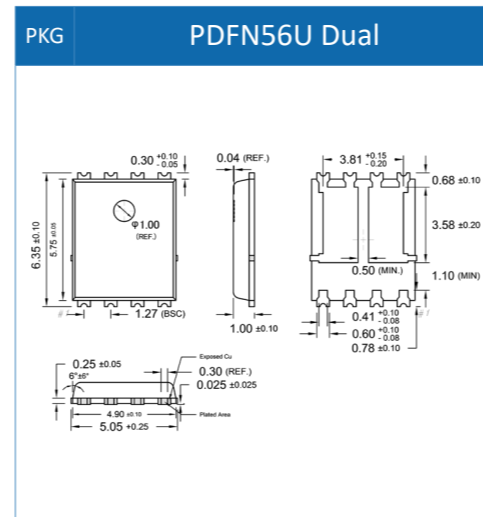
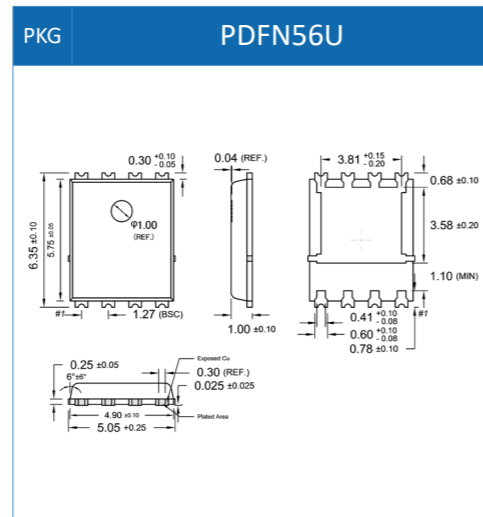
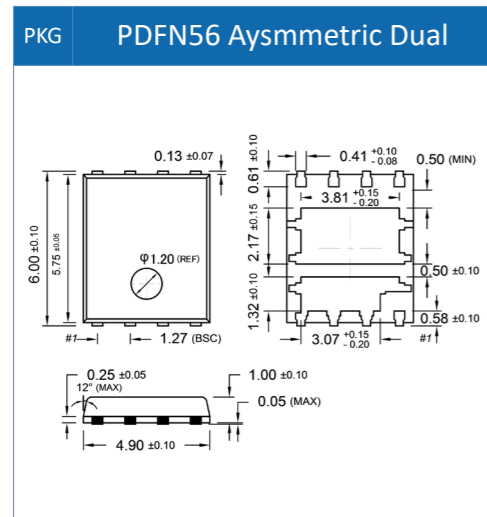
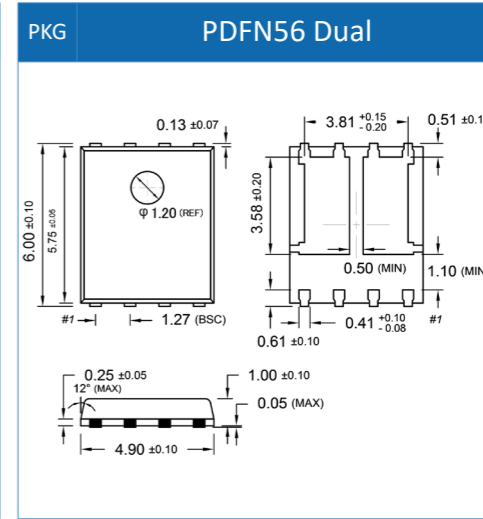
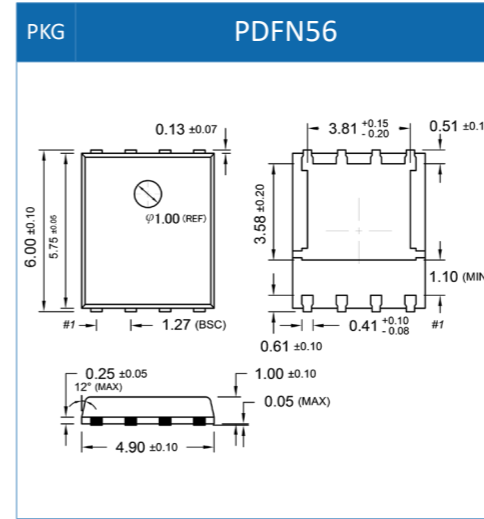
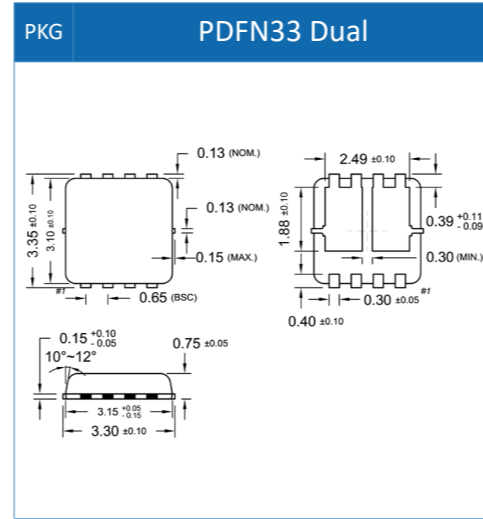
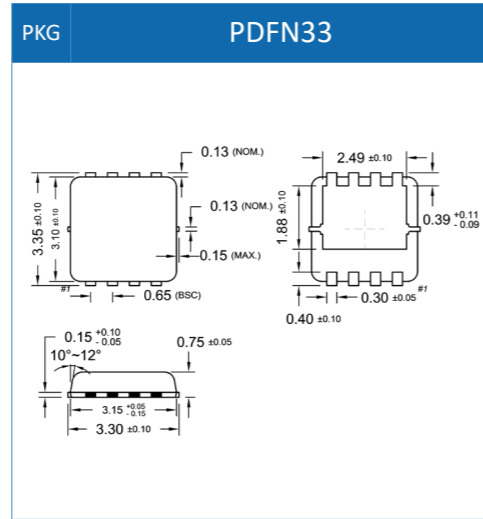
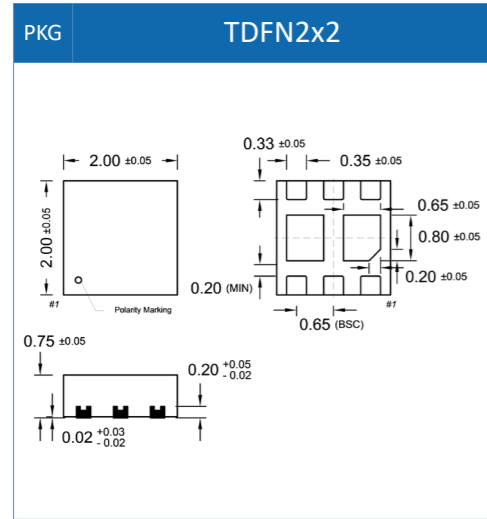
Unit: millimeter

# TRANSISTOR



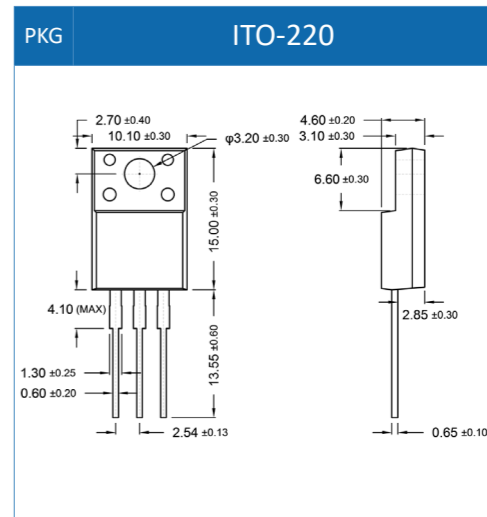
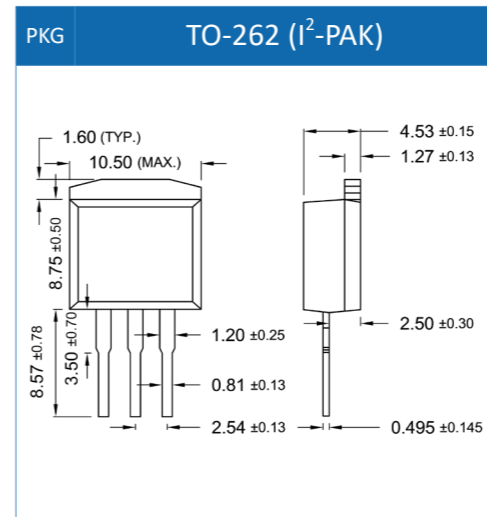
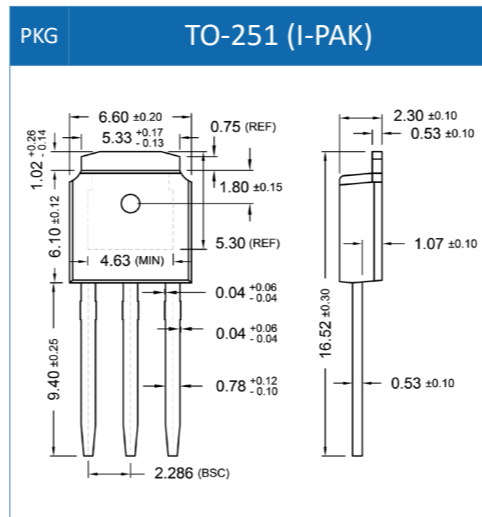
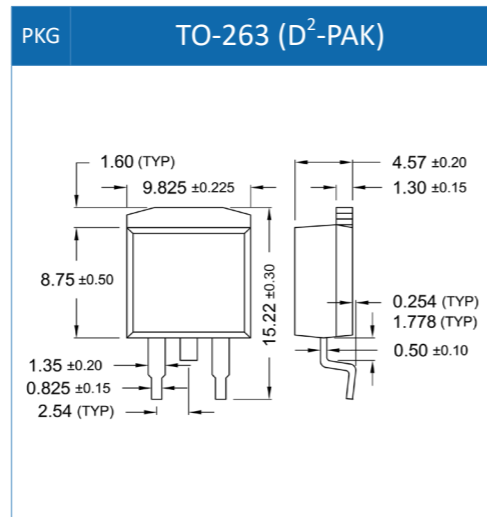
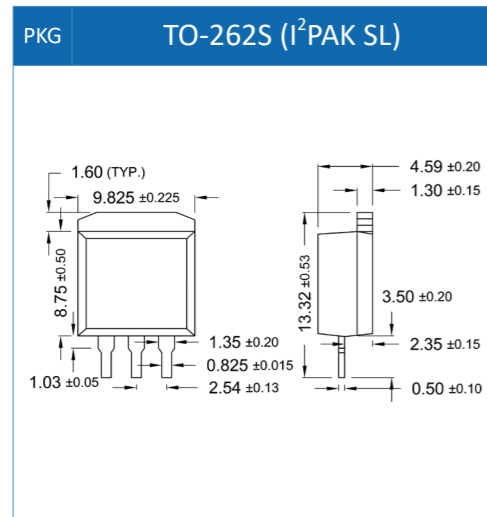
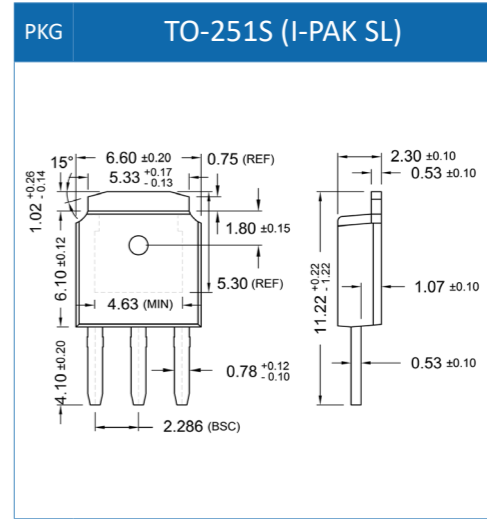
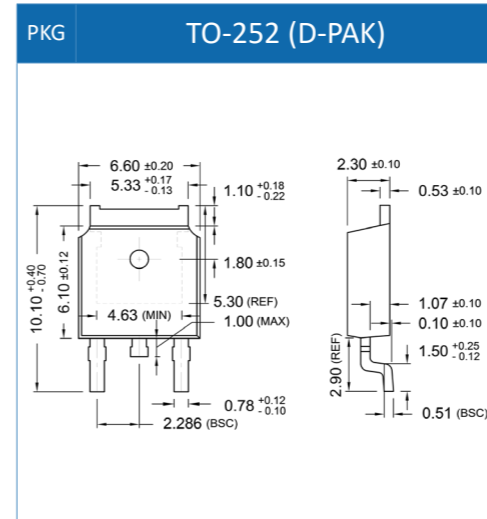
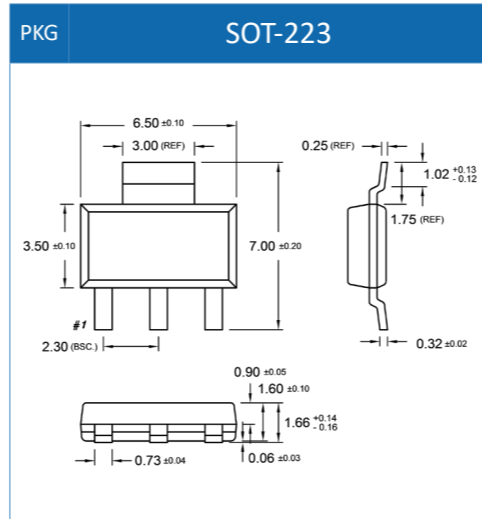
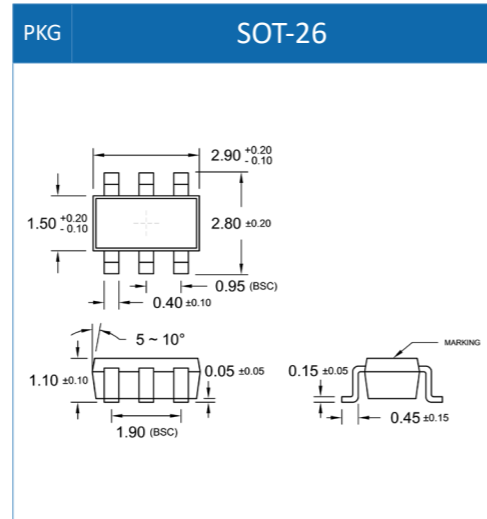
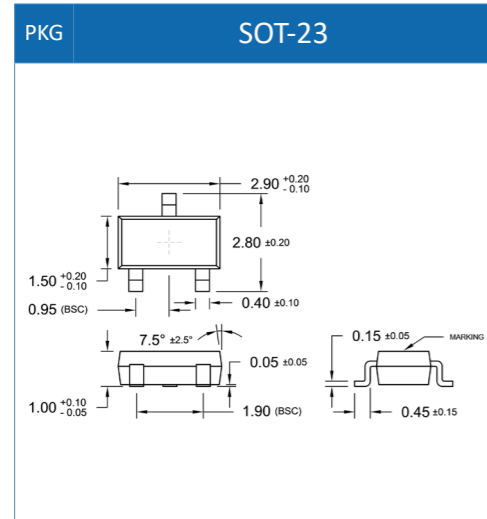
Unit: millimeter

# MOSFET



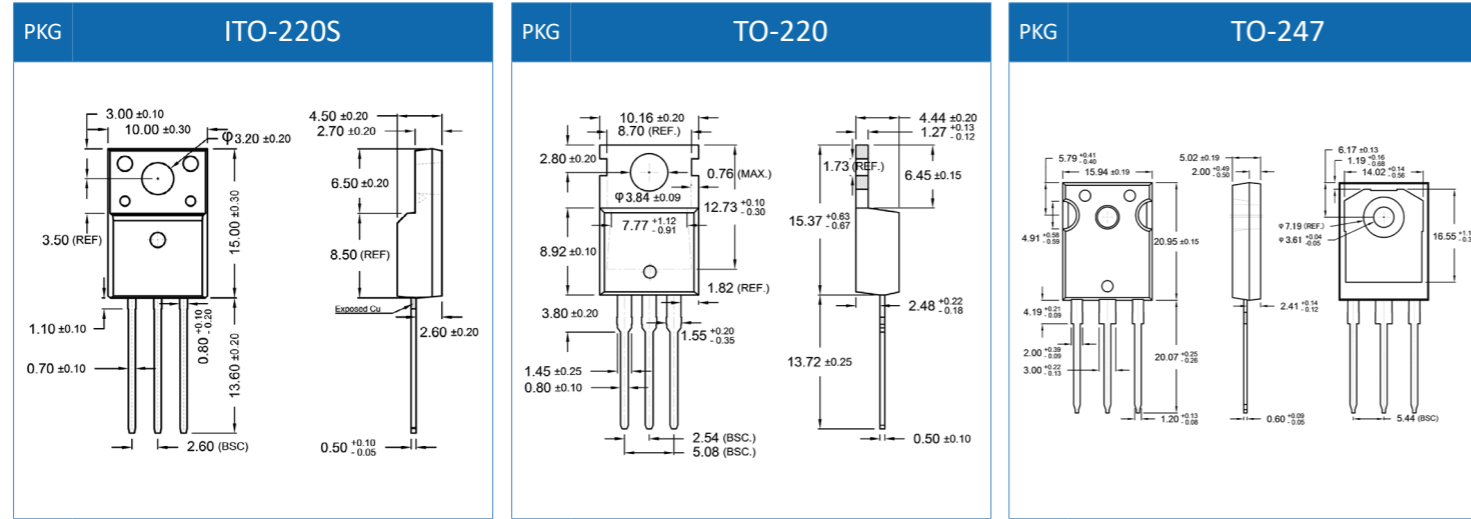
Unit: millimeter

# MOSFET



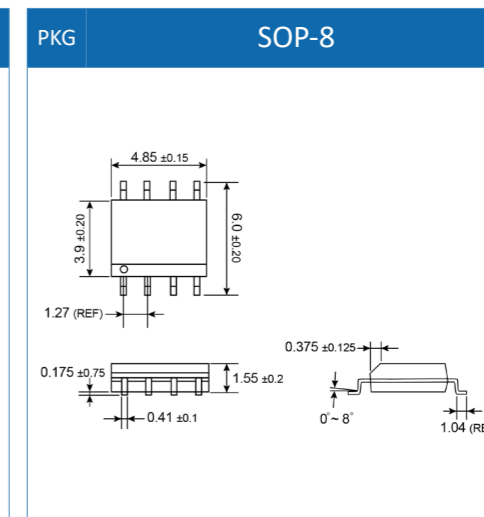
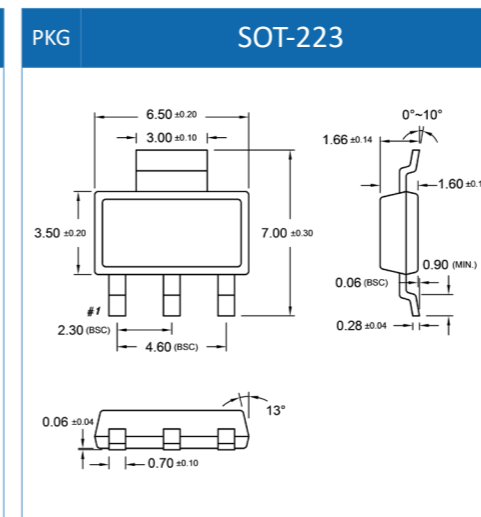
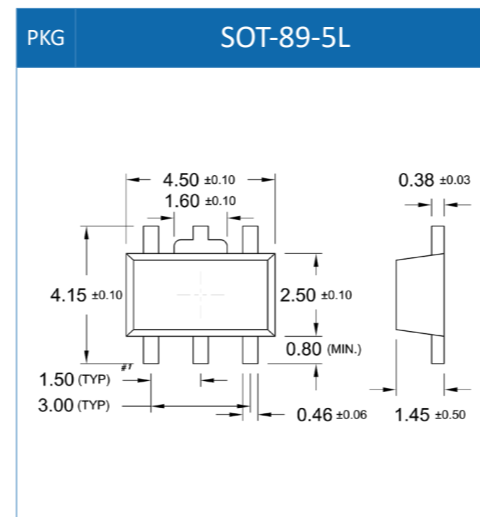
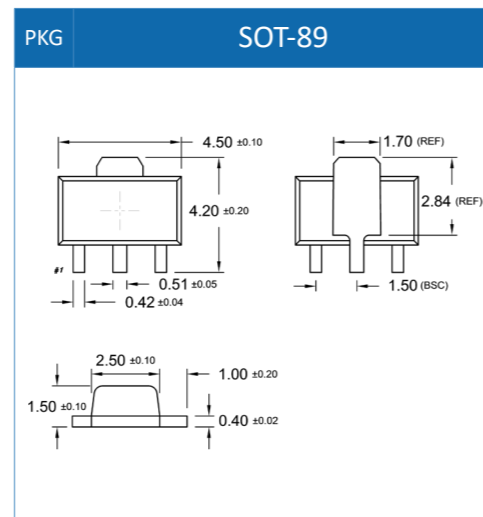
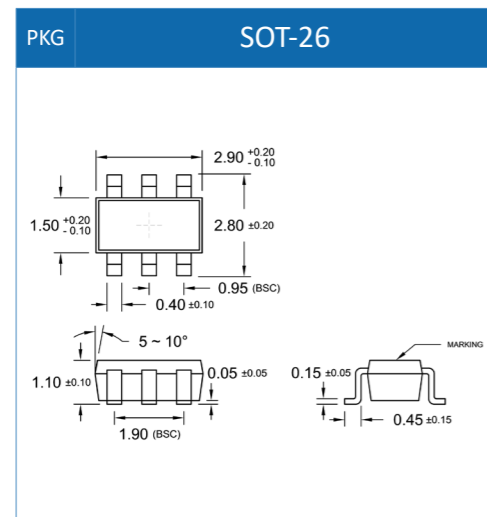
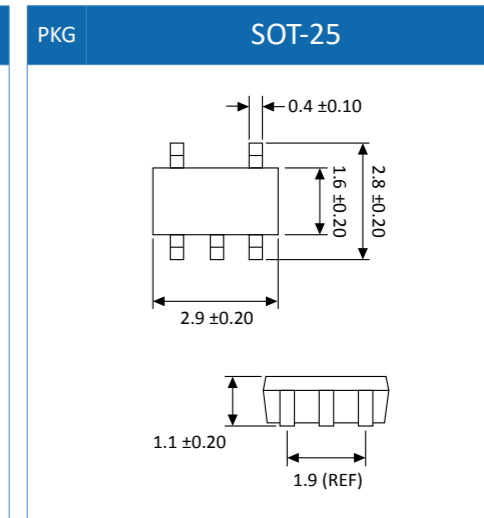
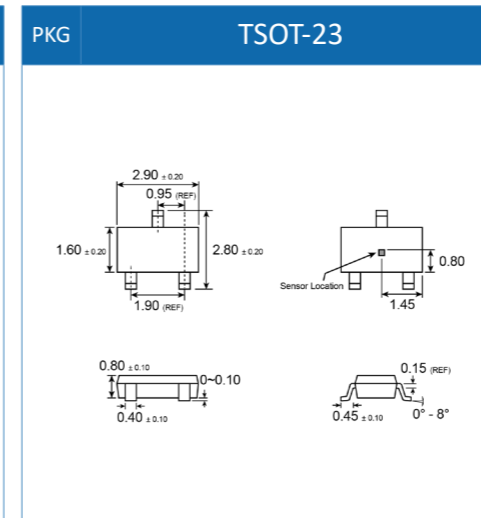
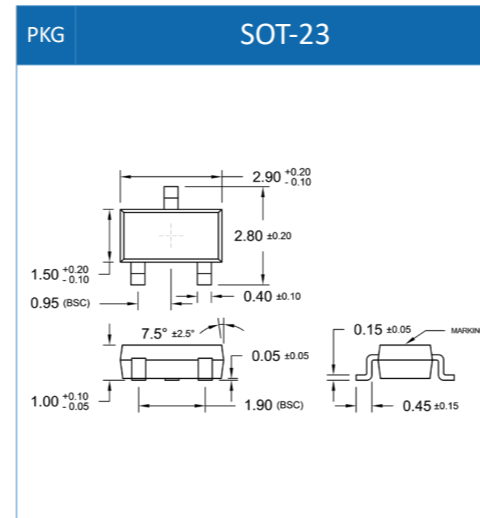
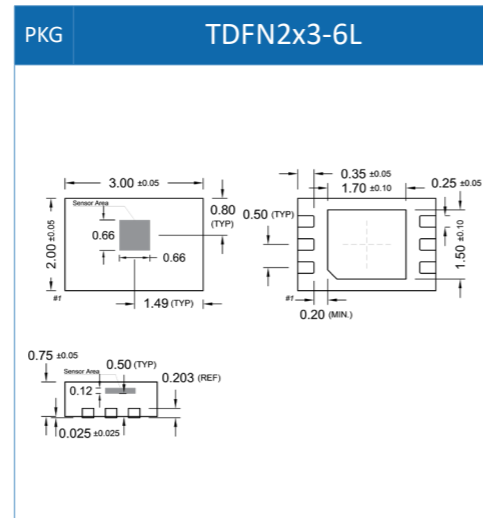
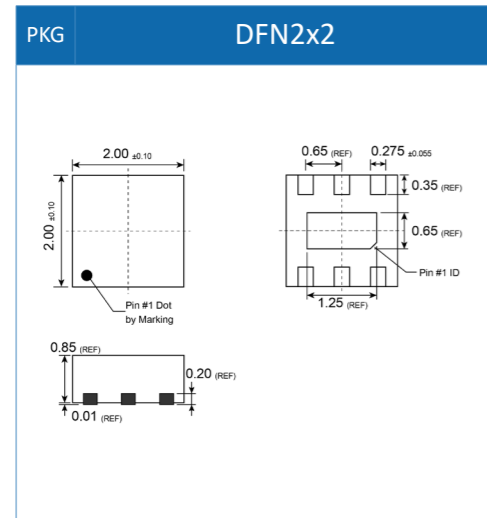
Unit: millimeter

# MOSFET



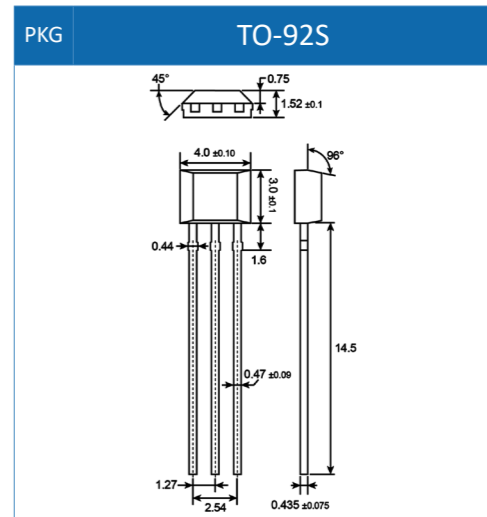
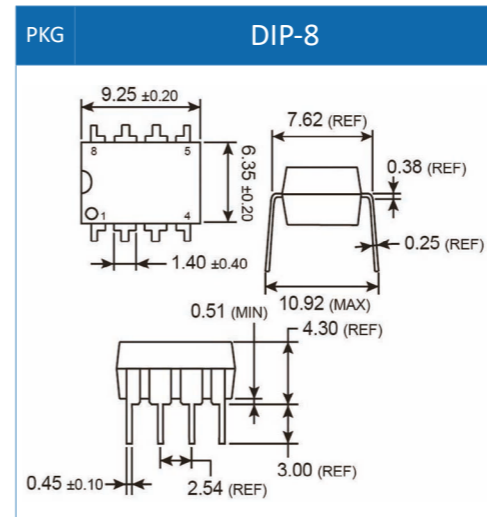
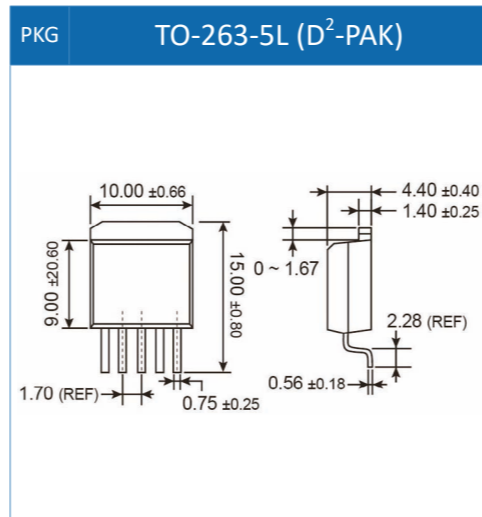
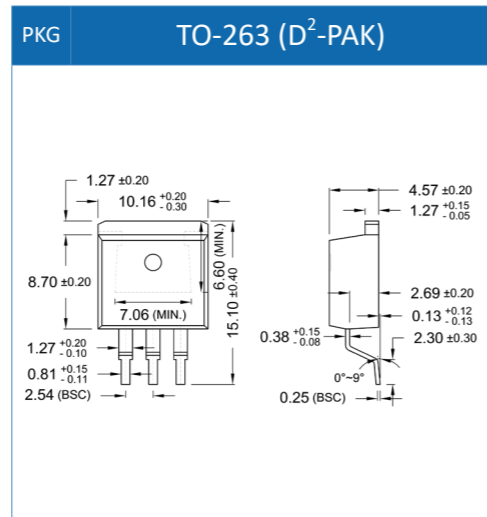
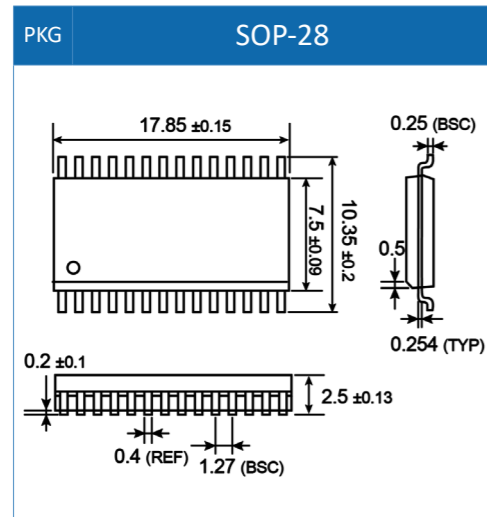
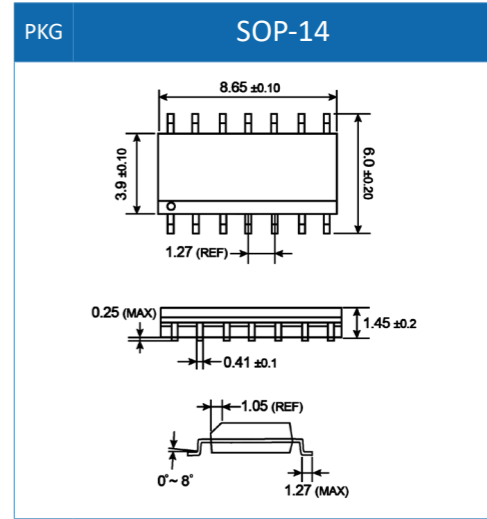
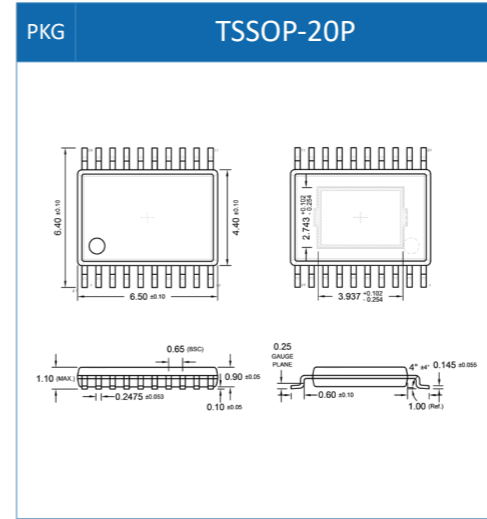
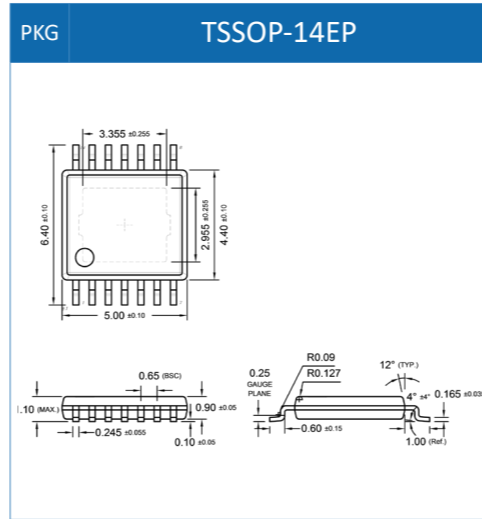
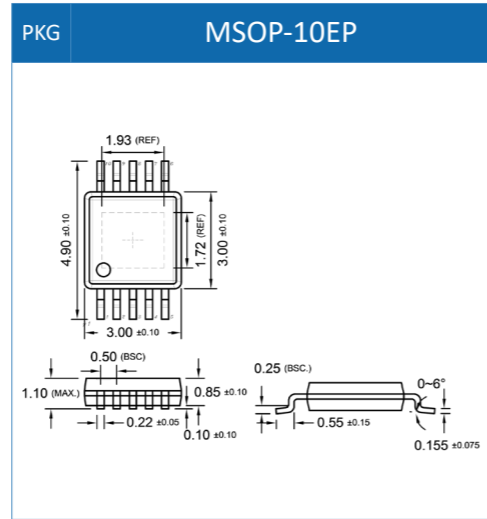
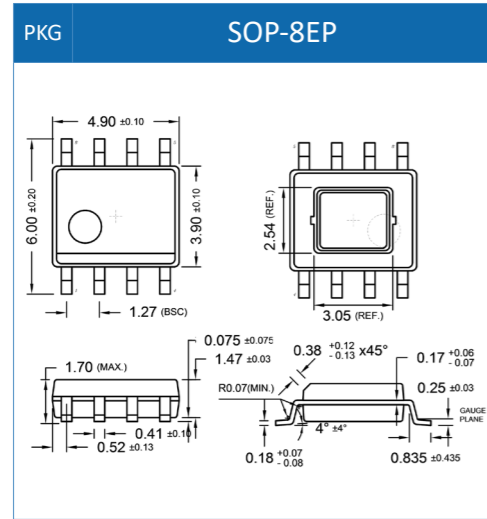
Unit: millimeter

IC



Unit: millimeter

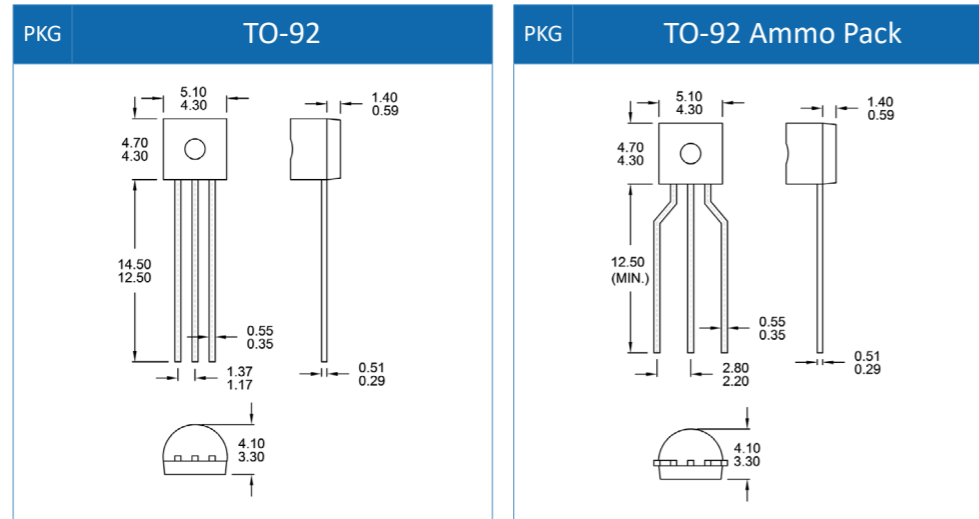
IC



Unit: millimeter

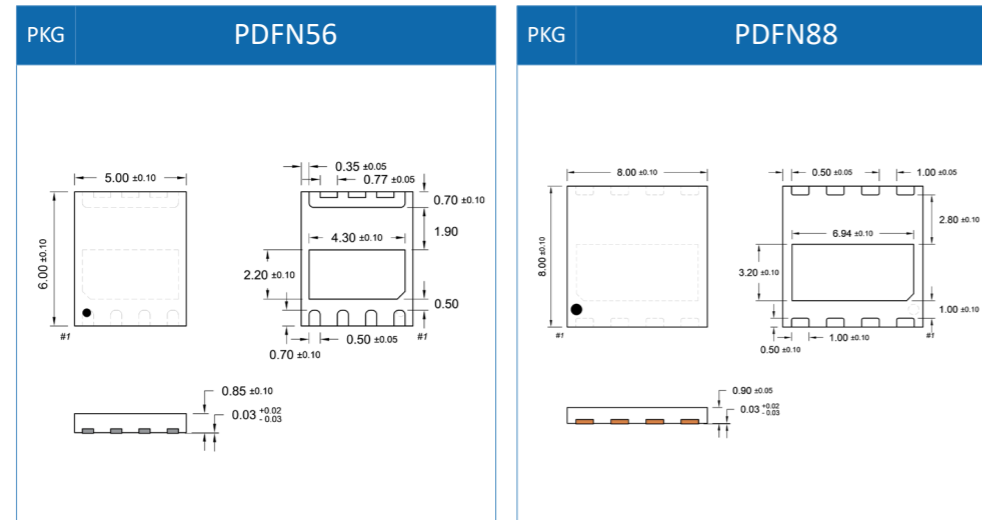


IC



Unit: millimeter

# WIDE BANDGAP



Unit: millimeter

### Global and Asian Headquarters



Taipei (Taiwan) –  
Global and Asian Headquarters

Taiwan Semiconductor Co., Ltd.  
11 Fl., No. 205, Sec. 3, Beishin Rd.  
Xindian Dist., New Taipei City, 231  
Taiwan R.O.C.

Phone: +886 2 8913 1588  
E-Mail: [marketing@ts.com.tw](mailto:marketing@ts.com.tw)

### American Headquarters



Brea (USA) –  
American Headquarters

TSC America Inc.  
3040 Saturn Street, suite 200  
Brea, CA 92821  
USA

Phone: +1 657 258 0800  
E-Mail: [sales@tscus.com](mailto:sales@tscus.com)

### European Headquarters



Munich (Germany) –  
European Headquarters

Taiwan Semiconductor Europe GmbH  
Georg-Wimmer-Ring 8b  
85604 Zorneding  
Germany

Phone: +49 8106 9963 660  
E-Mail: [munich@tsceu.com](mailto:munich@tsceu.com)



[www.taiwansemi.com](http://www.taiwansemi.com)

