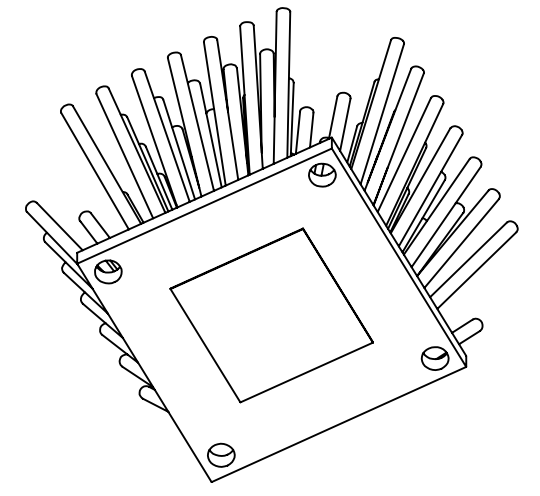
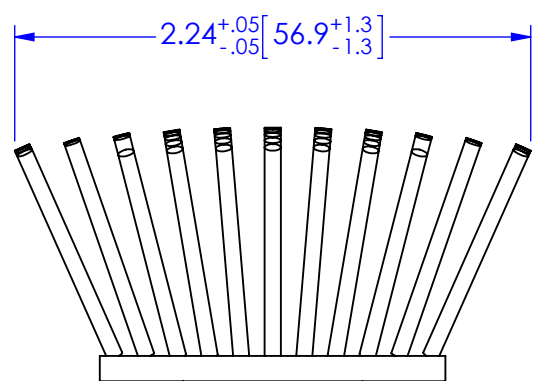
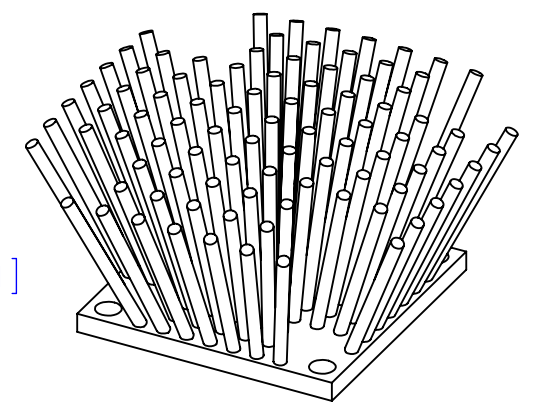
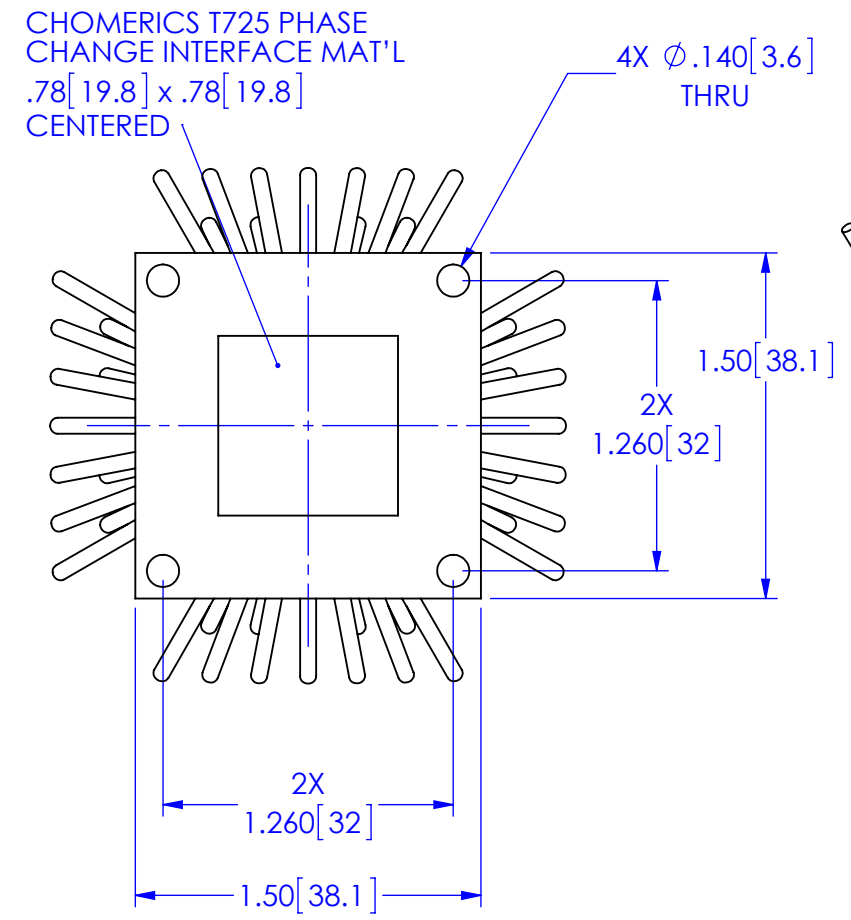
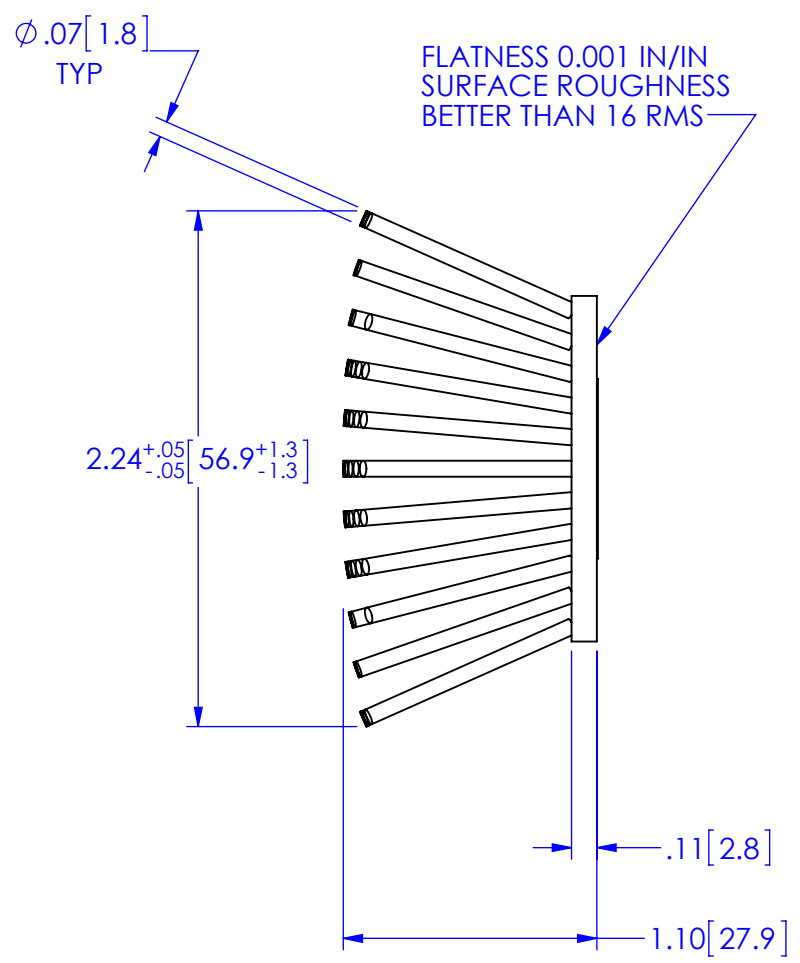
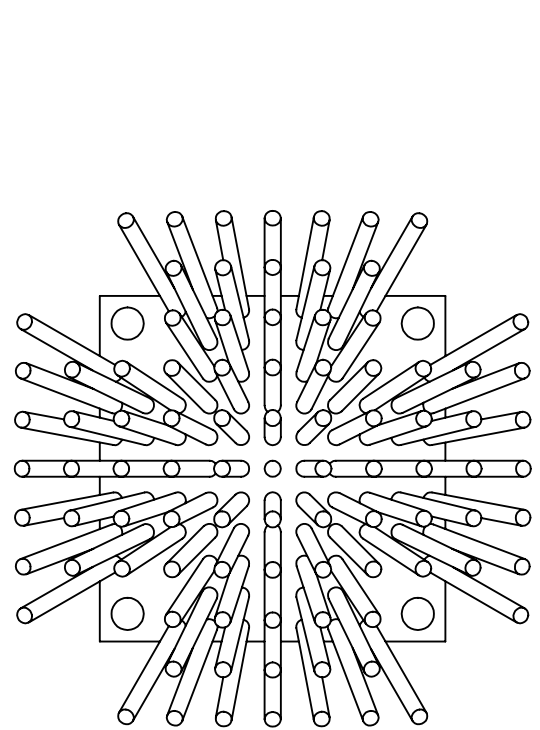
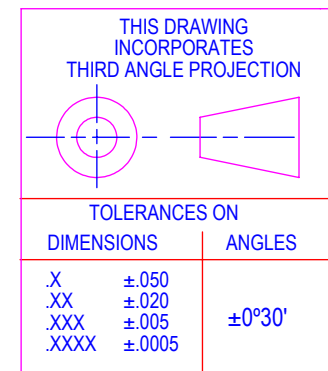


REVISIONS				
ZONE	REV.	DESCRIPTION	DATE	APPROVED



HARDWARE INCLUDED WITH HEATSINK		
QTY	P/N	DESCRIPTION
4	8033-00-9909	PUSH PINS (SEE NOTE 2)

- NOTES:
- MATERIAL: ALUMINUM ALLOY 1100
 - 4X ϕ .118[3.00] HOLES REQUIRED IN PCB AT LOCATIONS SHOWN. PCB THICKNESS: 0.062[1.6] MAX CHIP HEIGHT: .118[3.0]
 - DEBURR SHARP EDGES
 - PLATING: BLACK ANODIZE AS PER MIL-A-8625F, TYPE II, CLASS 2
 - WEIGHT: TBD



- UNLESS OTHERWISE SPECIFIED
- DIMENSIONS ARE IN INCHES
 - FINISH $\frac{63}{\sqrt{}}$ ALL OVER
 - DE-BURR AND BREAK SHARP EDGES
 - ALL THREADS TO BE CLASS 2, PER ANSI B1.13-1979 AFTER FINISHING

APPROVALS		DATE
DRAWN		1/4/2016
CHECKED		
CONTRACT NO.		
ISSUE DATE		

COOL INNOVATIONS 141 CIDERMILL AVE., #2
ADVANCED HEAT SINKS CONCORD, ON, L4K 4G5

TITLE: **3-151511PS73471**

SIZE: **B** FSCM NO. DWG. NO. **2973471-00** REV. **A**

SCALE: **NTS** USED ON: - SHEET: **1 OF 1**

DO NOT SCALE THIS DRAWING