

QUADRON®CrossBoard QUADRON®30Compact QUADRON®60Classic

NH-Reiter-Sicherungs-Lasttrennschalter Gr 000

NH-bus-mounting fuse-switch disconnecter size 000

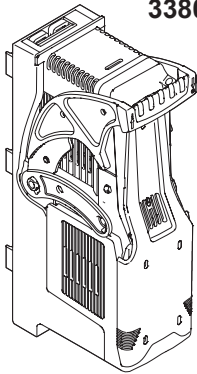
Seccionador bajo carga sobre barras para fusibles NH 000

Interrupteur-sectionneur-fusibles DIN taille 000

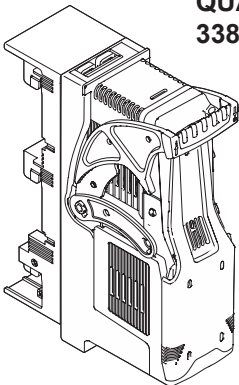
Sezionatore per fusibili NH 000

NH-熔断器负荷隔离开关（母线式），尺寸 000

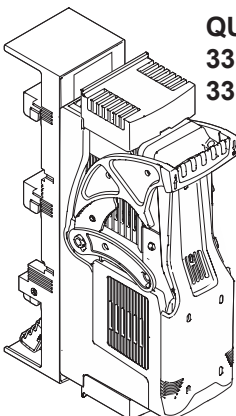
QUADRON®CrossBoard
33800



QUADRON®30Compact
33801



QUADRON®60Classic
33802
33803



Achtung: Vor Installations- oder Servicearbeiten Stromversorgung unterbrechen, um Unfälle zu vermeiden. Die Geräte müssen in einem passenden Gehäuse eingebaut und gegen Verschmutzung geschützt werden. Inbetriebsetzung und Wartung nur durch Fachpersonal!

Attention: To prevent electrical shock, disconnect from power source before installing or servicing. Install in suitable enclosure. Keep free from contaminants. To be commissioned and maintained only by qualified personnel!

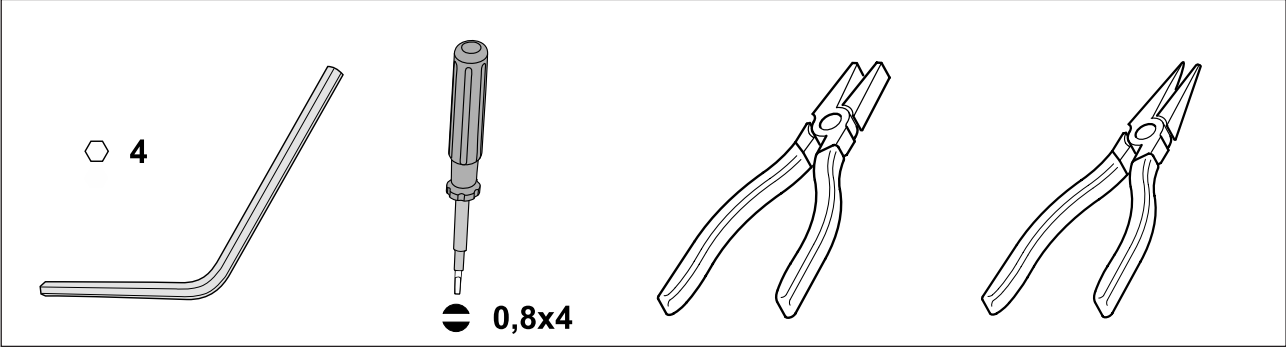
Atención: Con el objeto de evitar accidentes, hay que desconectar la alimentación eléctrica antes de realizar el montaje y la puesta en marcha. Debe instalarse en una caja o armario apropiado. Debe protegerse el producto de los ambientes agresivos. La puesta en marcha y el mantenimiento ha de hacerlo exclusivamente por personal especializado!

Attention: Avant le montage et la mise en service, couper l'alimentation secteur afin d'éviter tout accident. Prévoir une mise en coffret ou armoire appropriée, protéger le produit contre les environnements agressifs. Mise en service en entretien: seulement par du personnel spécialisé!

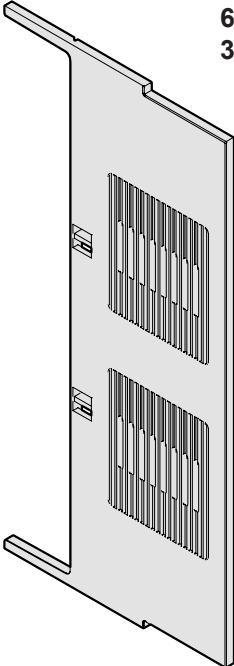
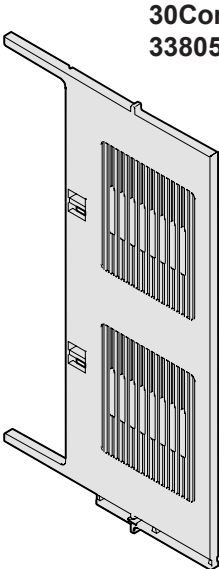
Attenzione: Per prevenire infortuni, togliere tensione prima dell'installazione o manutenzione. Installare in custodia idonea. Tenere lontano da contaminanti. Messa in servizio e manutenzione solo da personale specializzato!

注意: 安装前或检修前应切断电源，以防事故。开关应安装在适合的箱体，同时应做好防污染保护。只有专业人员才能做运行、维护、保养的工作。

Werkzeug Tool

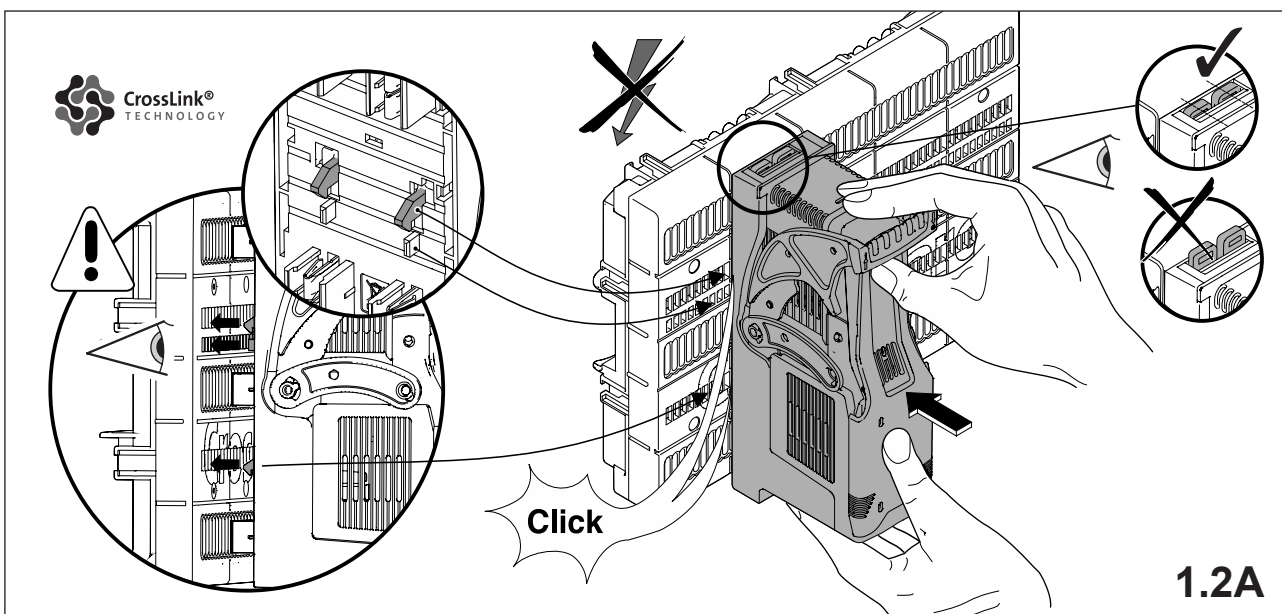
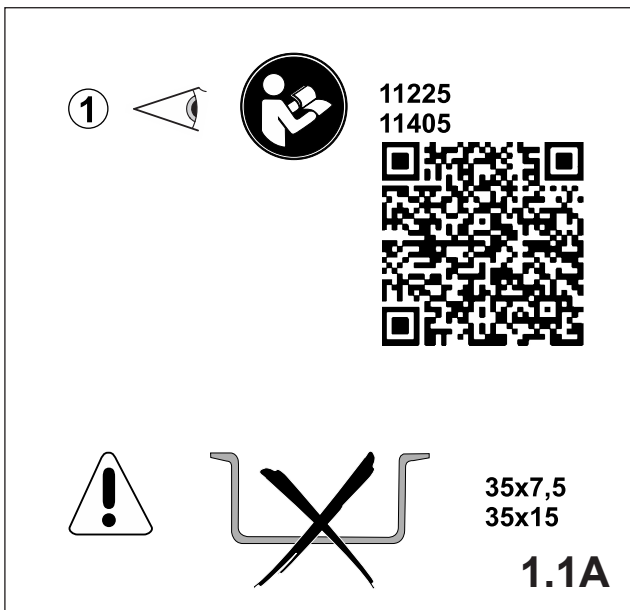


Zubehör Accessories



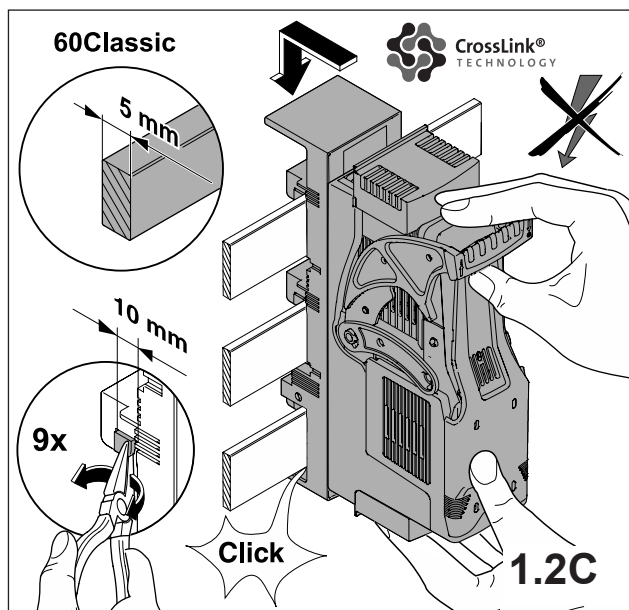
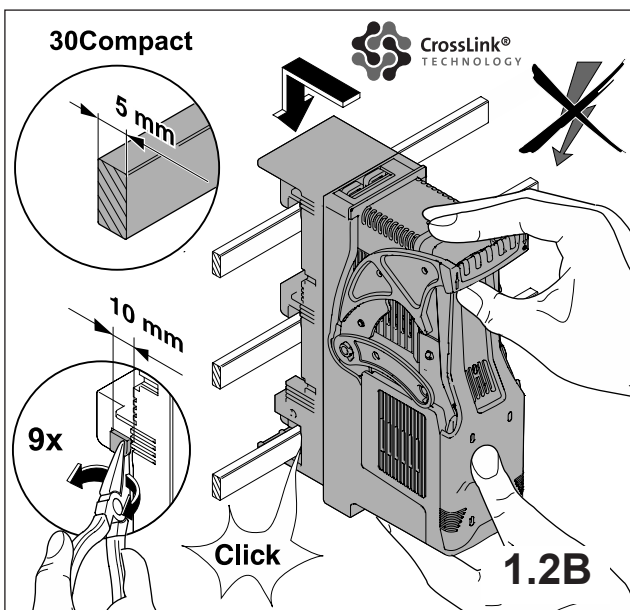
1A. Montage auf CrossBoard®

mounting on CrossBoard®



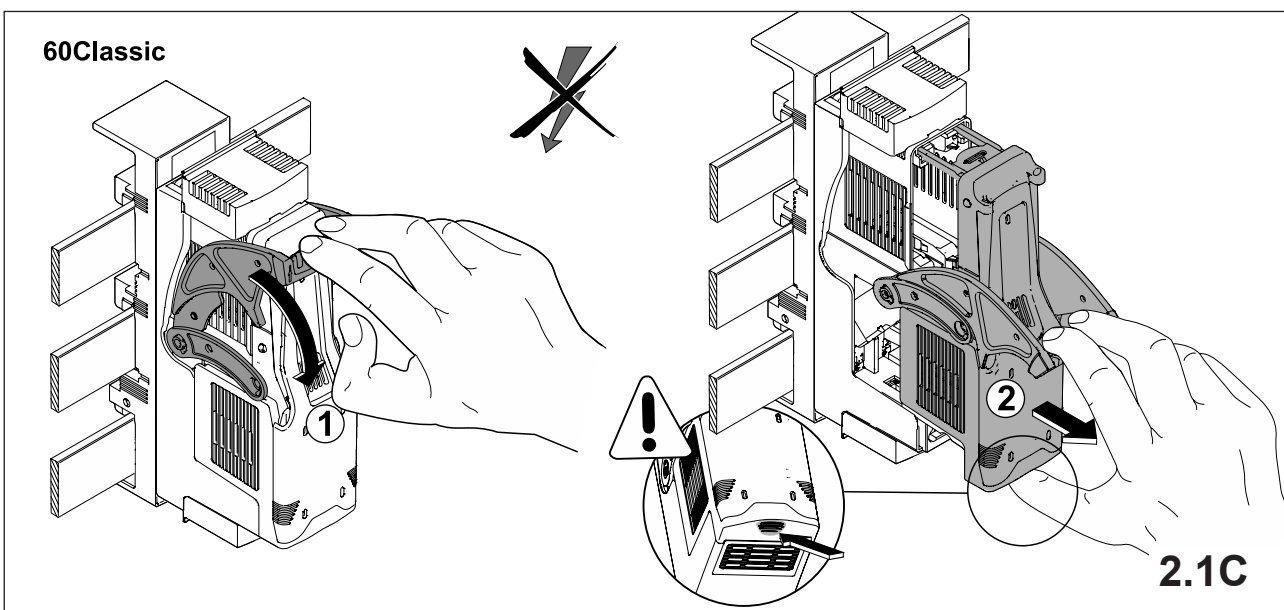
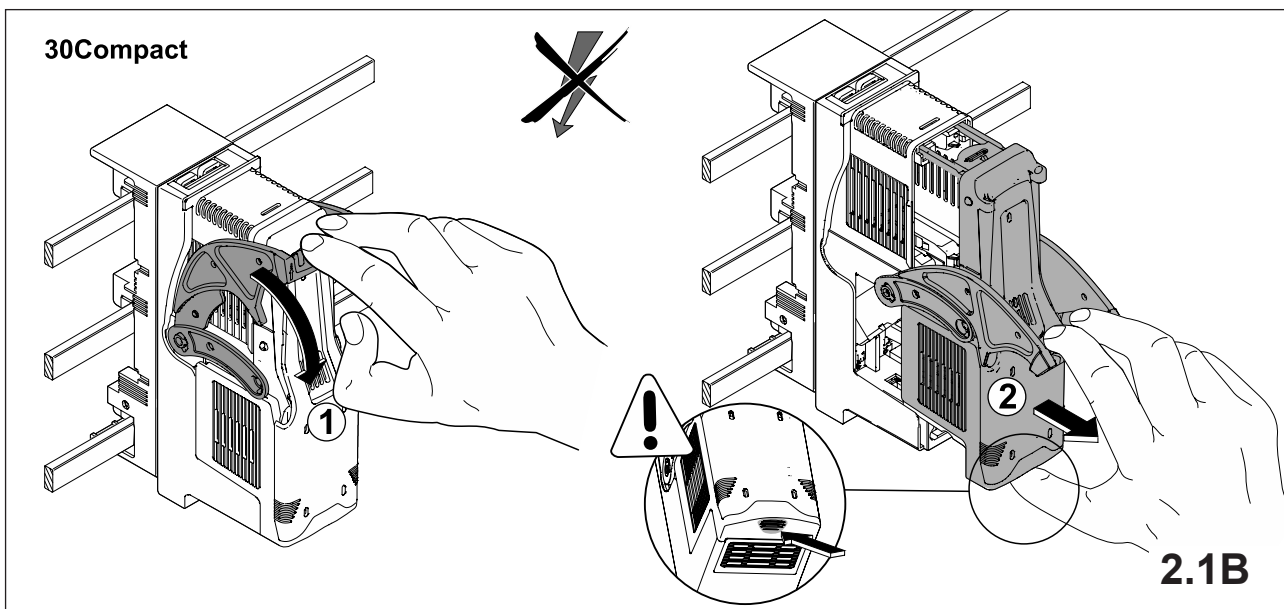
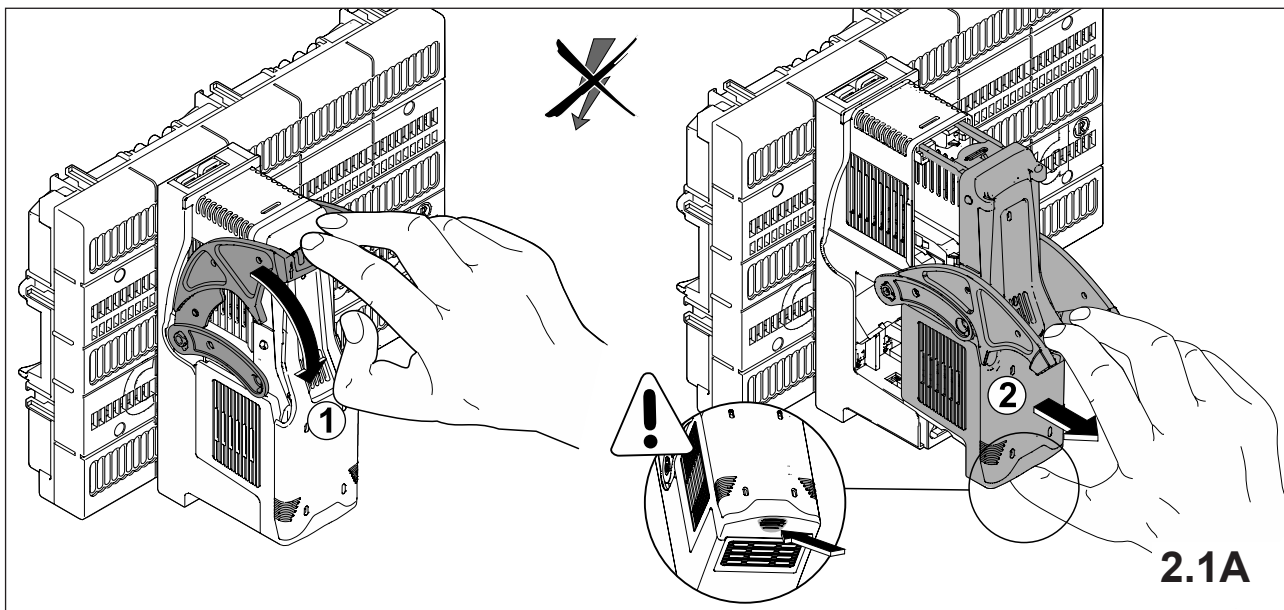
1.2BC Montage auf Schienensystem

mounting on busbar system

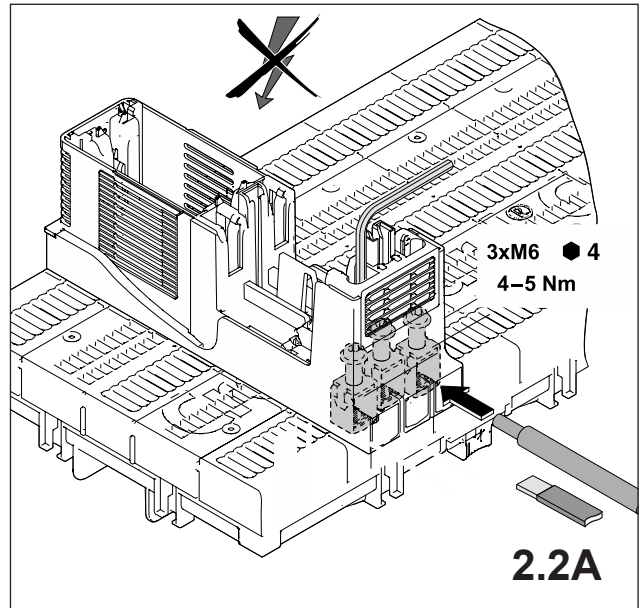
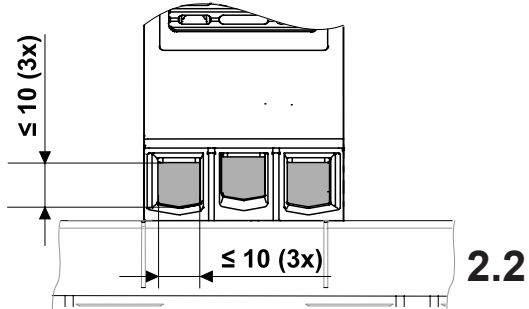
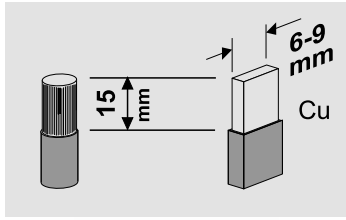


2. Anschlüsse unten

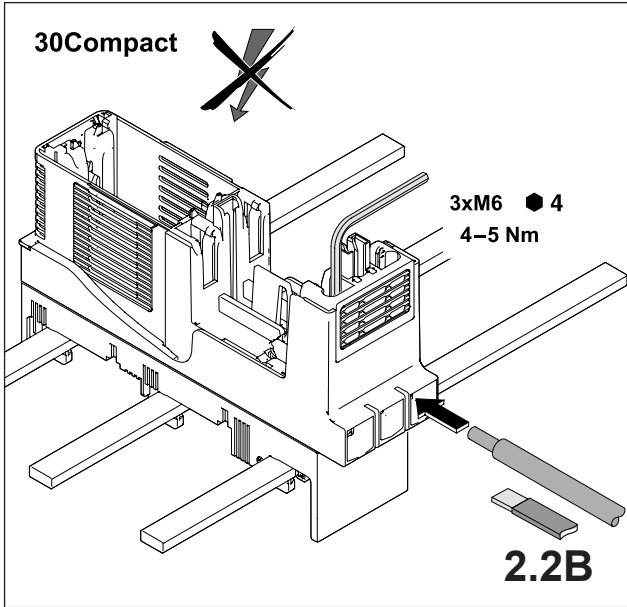
Connection bottom



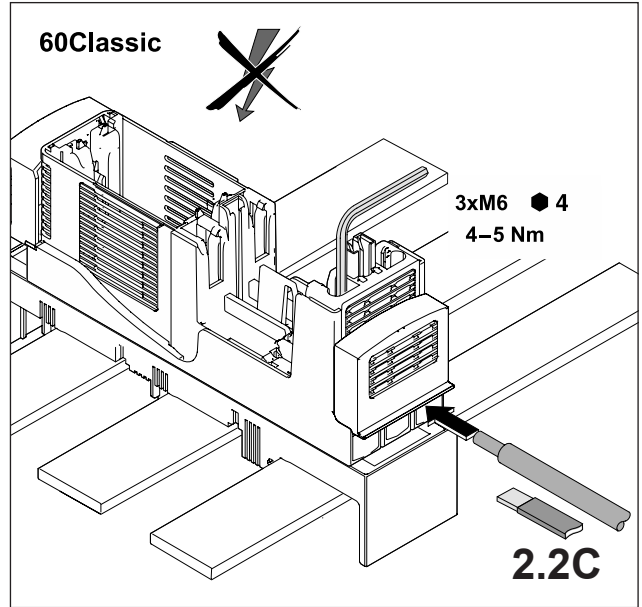
CrossBoard, 30Compact, 60Classic



30Compact

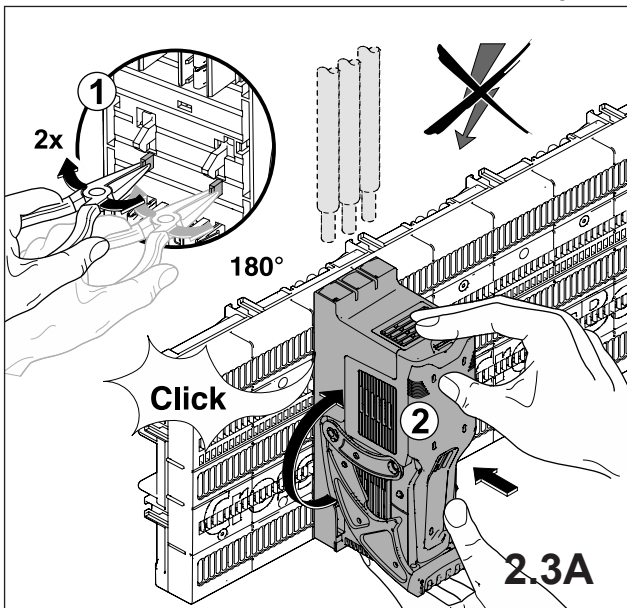


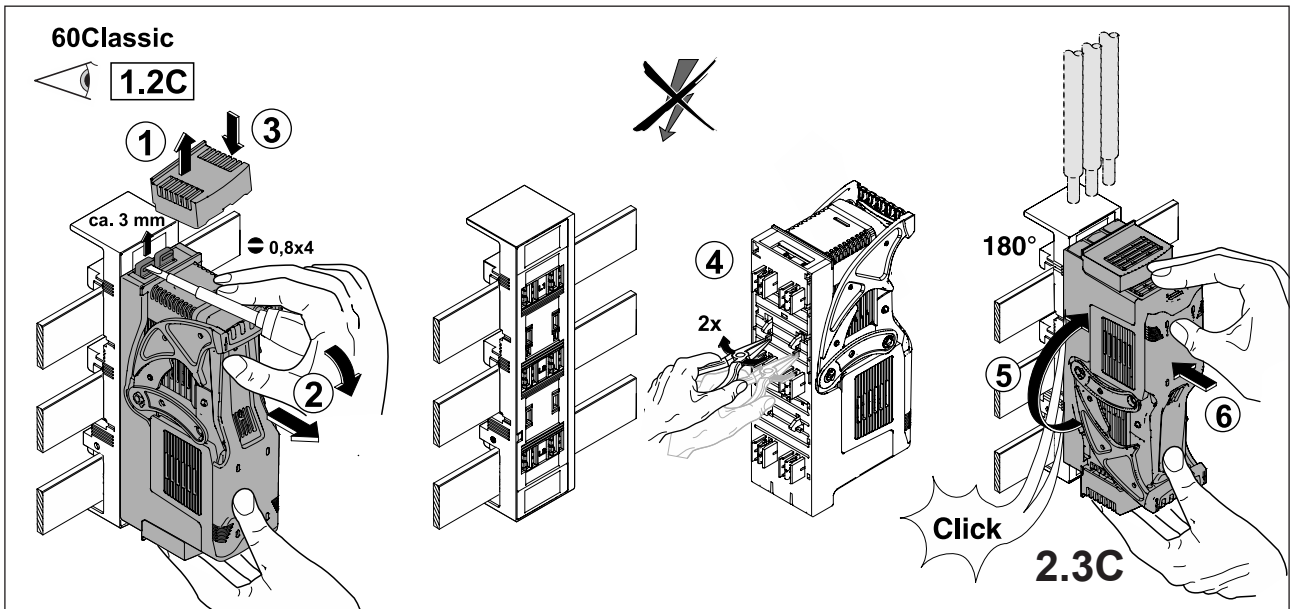
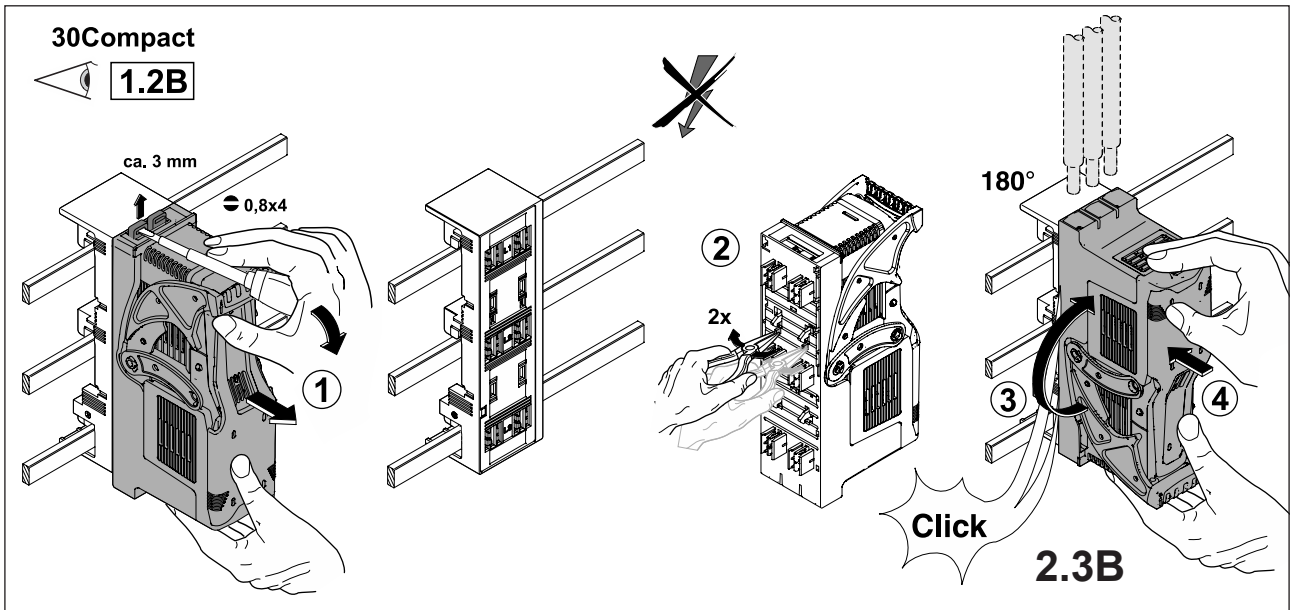
60Classic



Anschlüsse oben

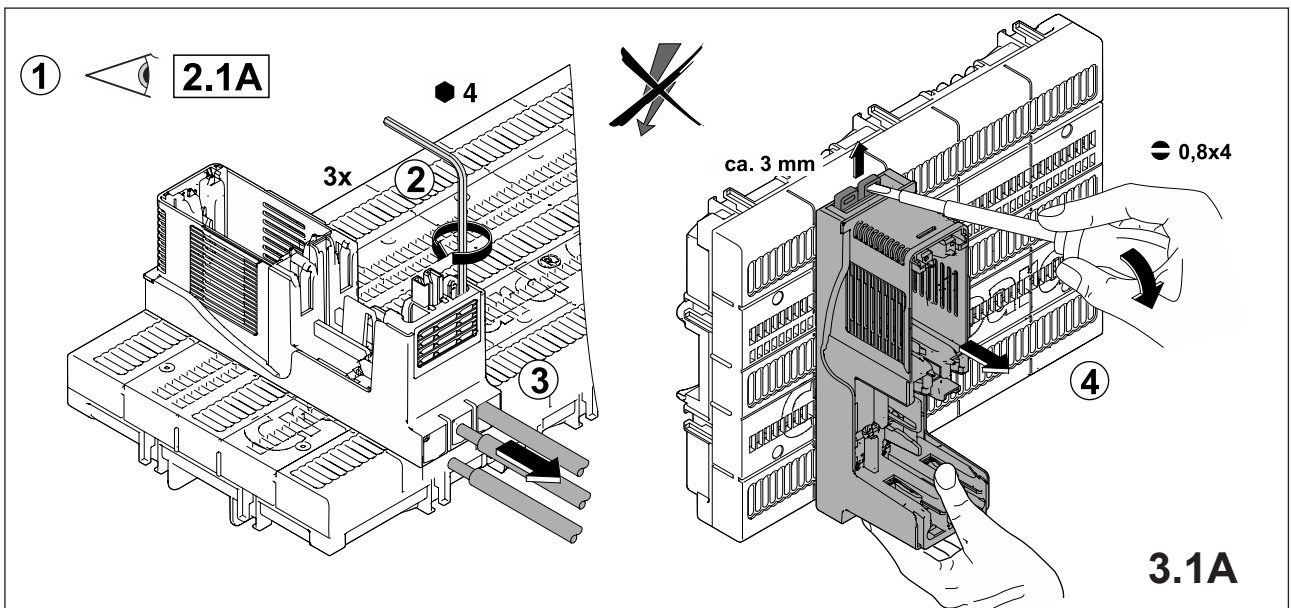
Connection top






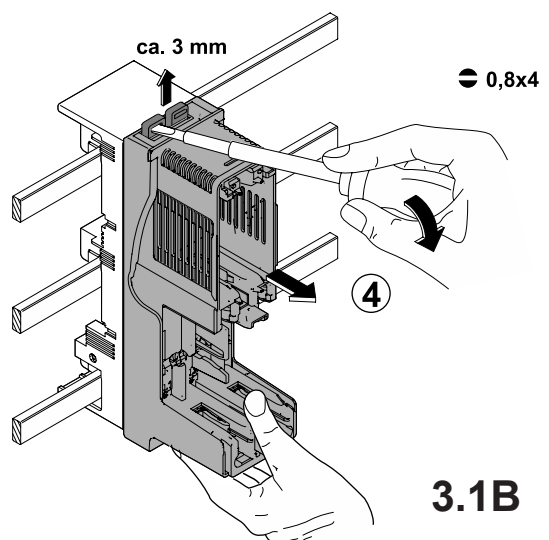
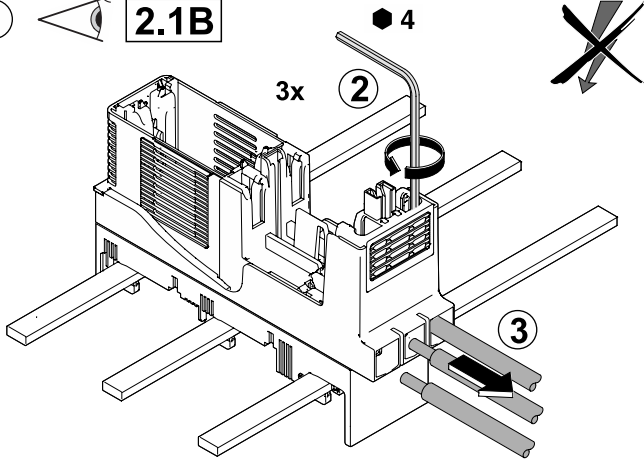
3. Demontage

Disassembly



30Compact

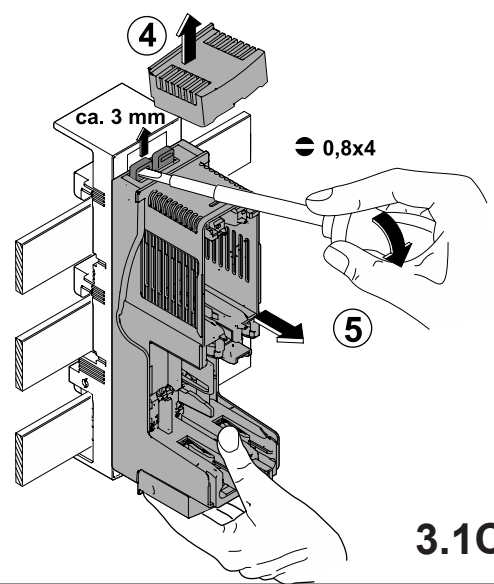
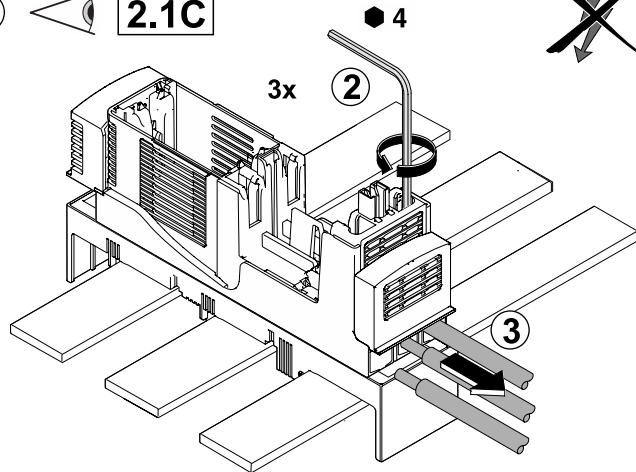
①  **2.1B**



3.1B

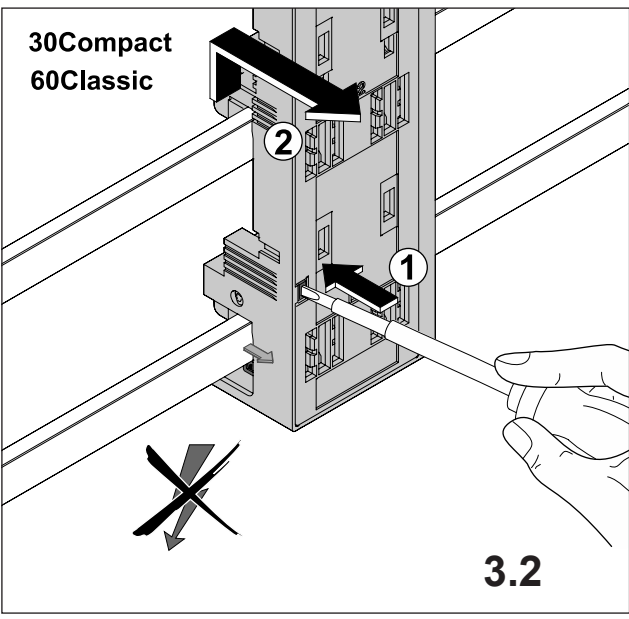
60Classic

①  **2.1C**



3.1C

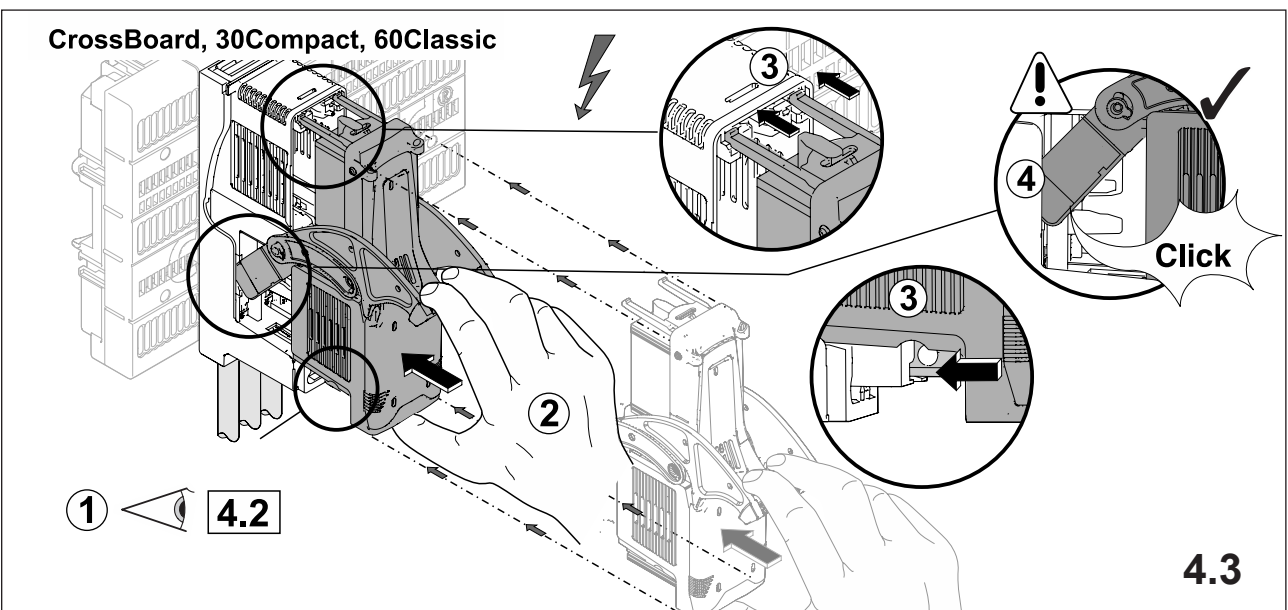
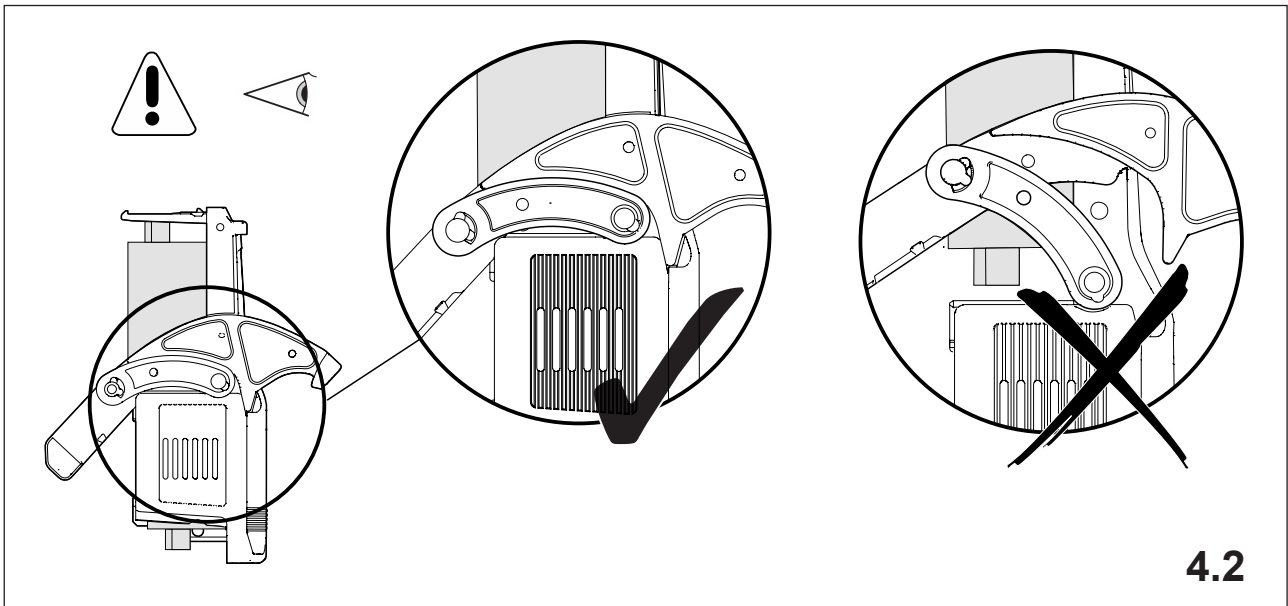
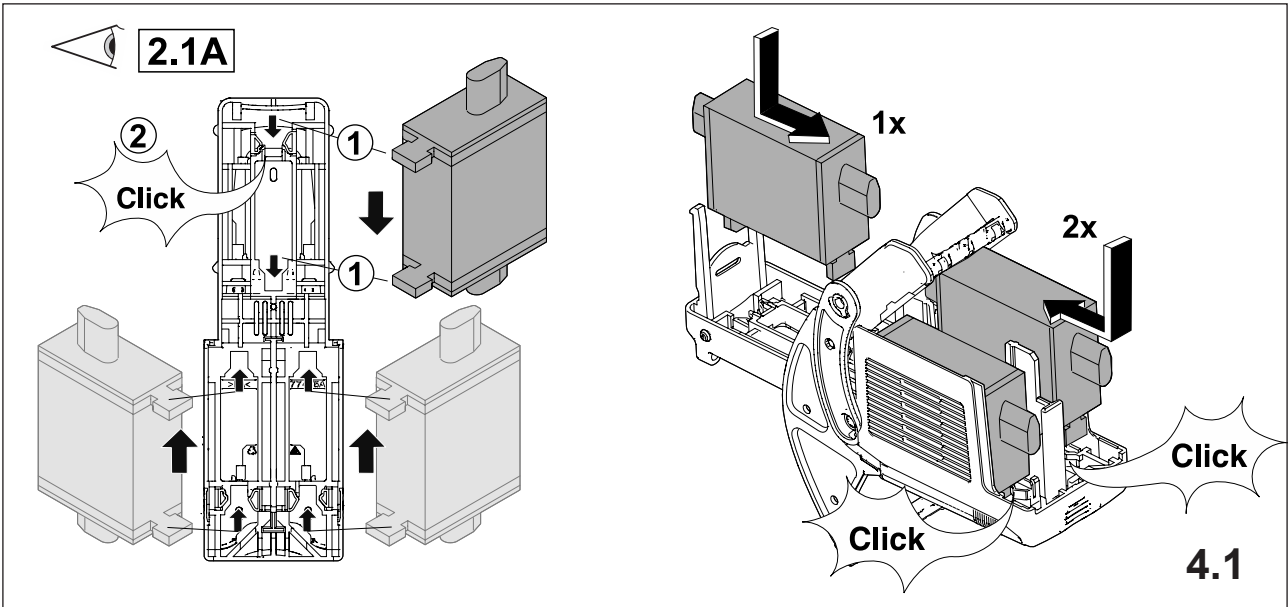
**30Compact
60Classic**

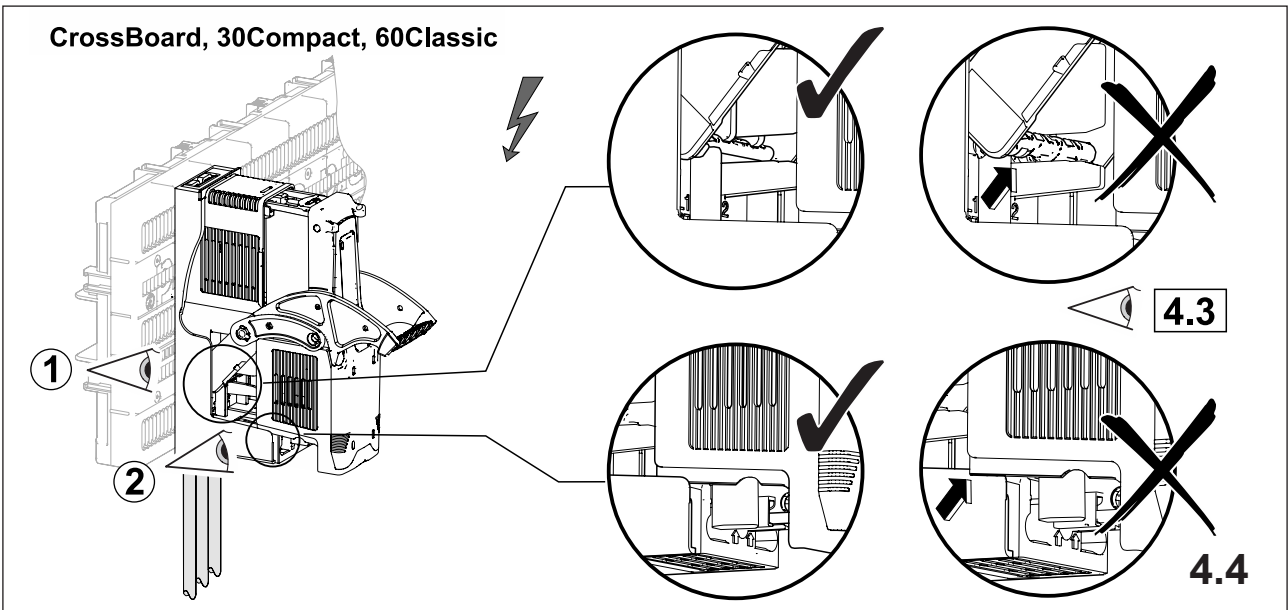


3.2

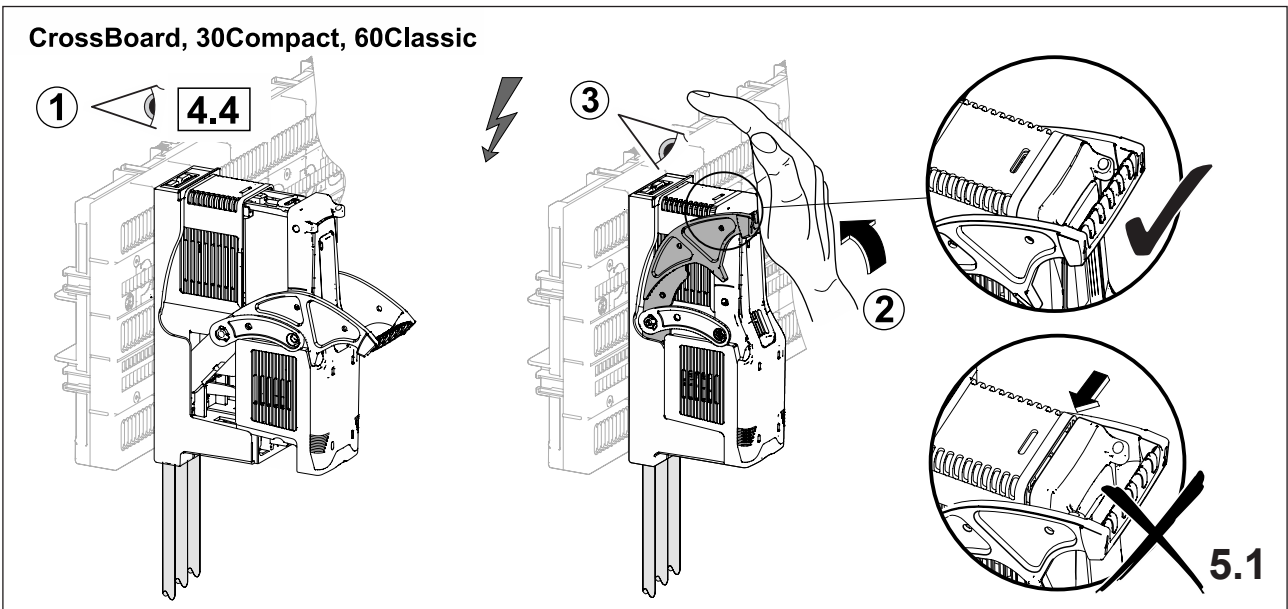
4. Sicherungen einlegen

Insert fuses

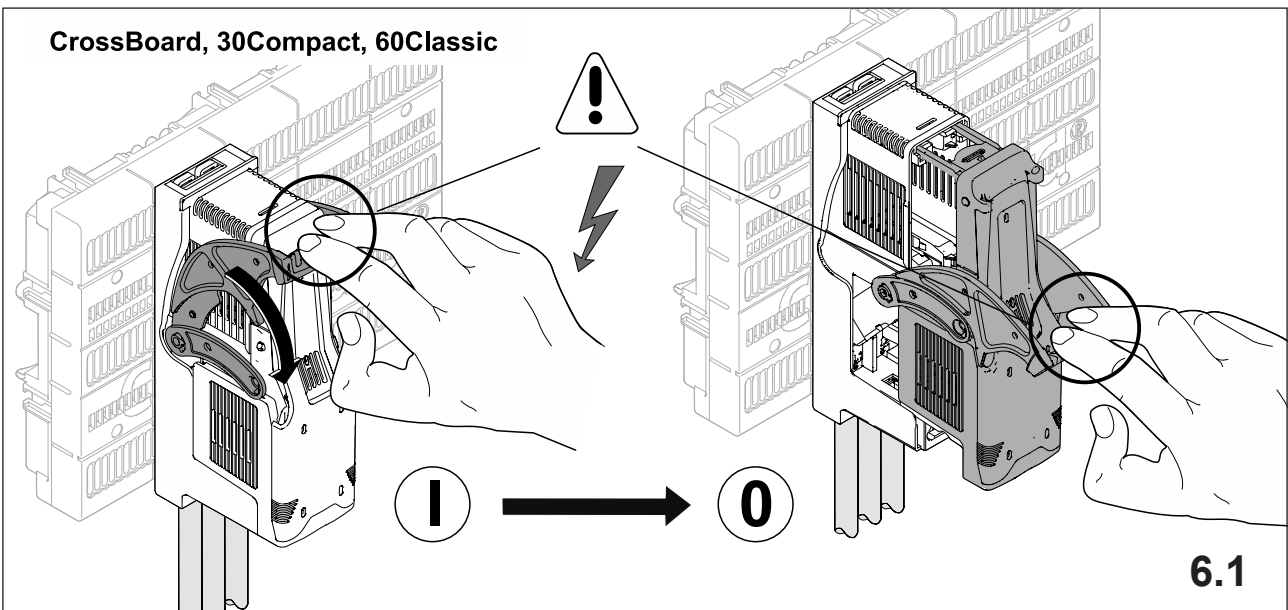




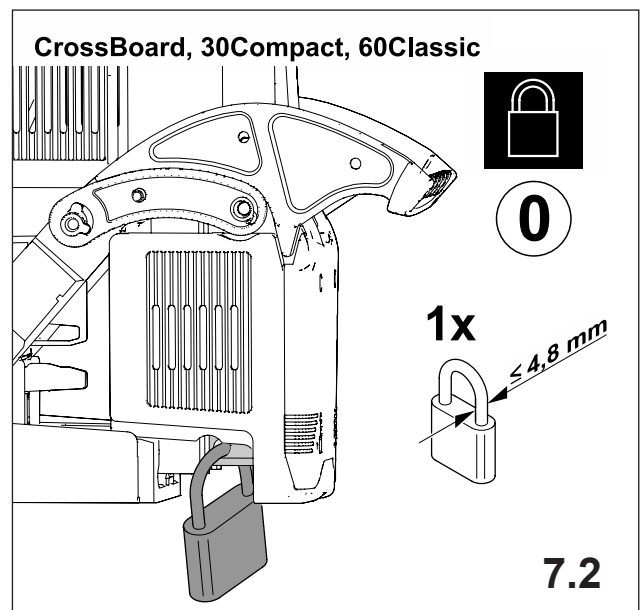
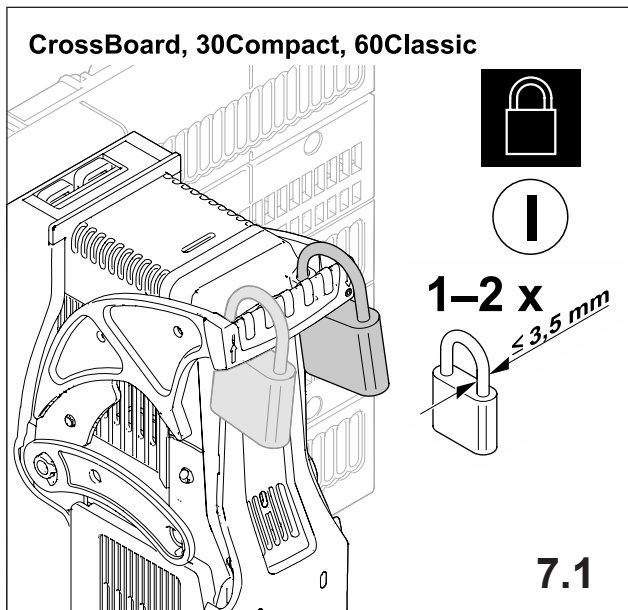
5. Einschalten switch on



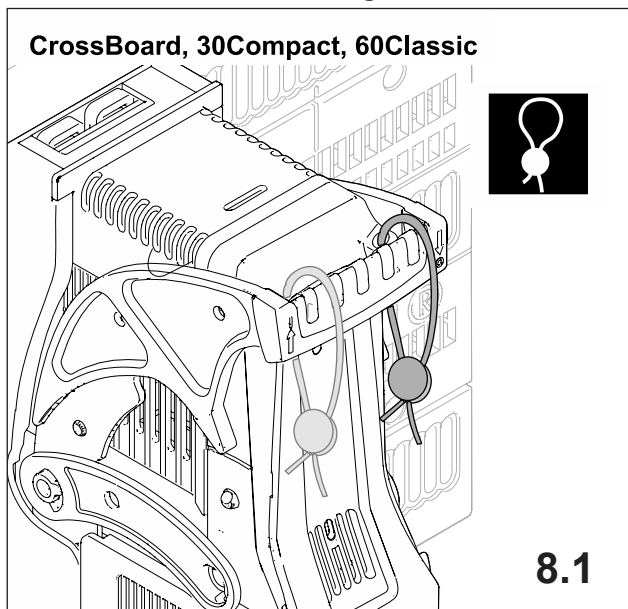
6. Ausschalten switch off



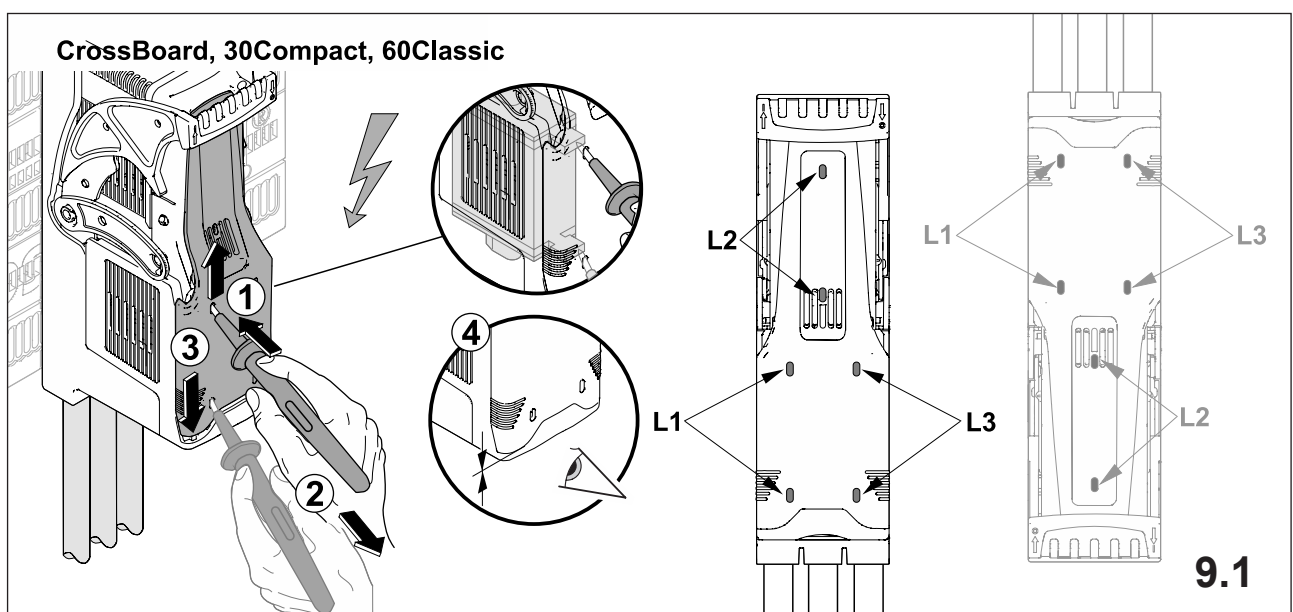
7. Abschließbarkeit looking the fuse holder



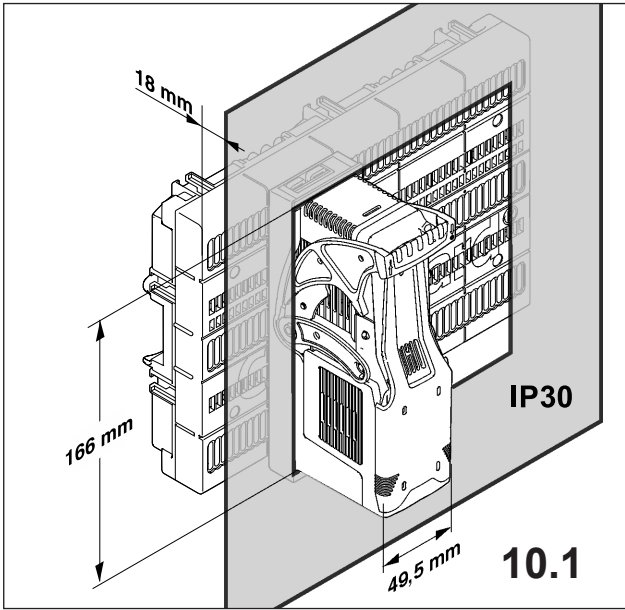
8. Plombieren sealing



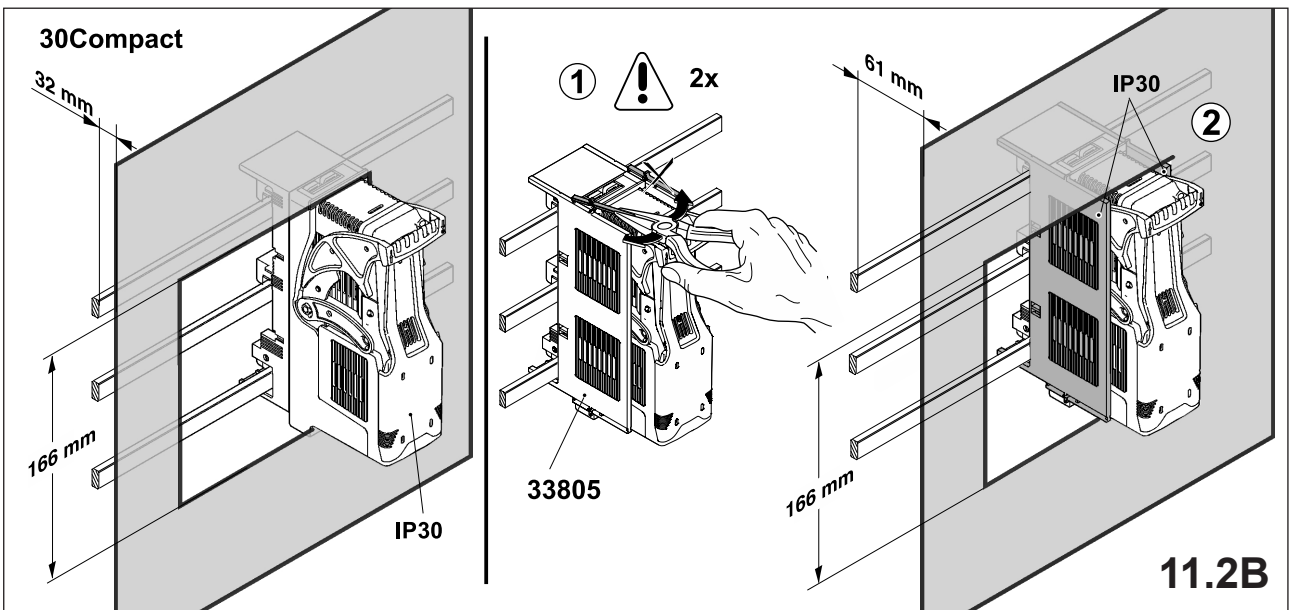
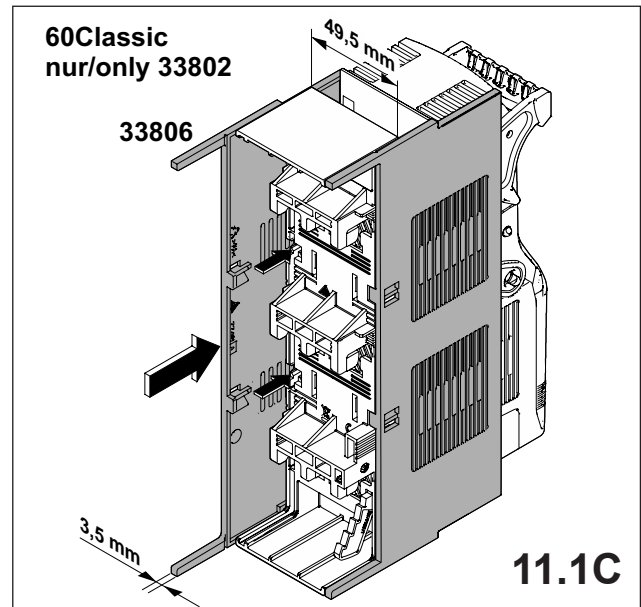
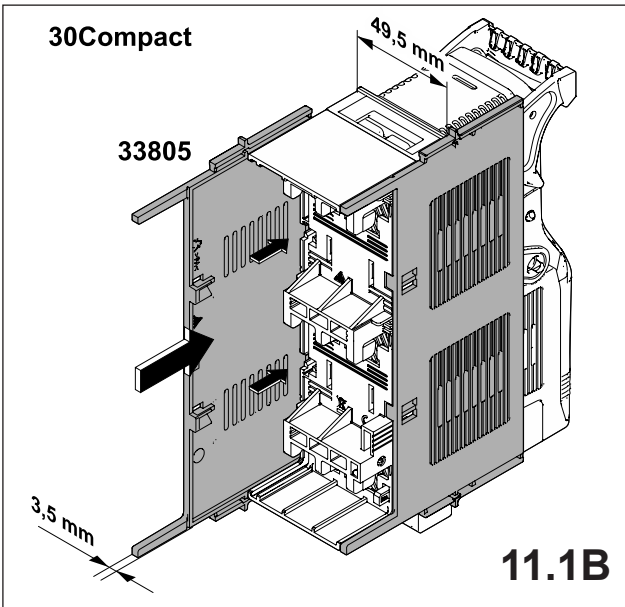
9. Spannungsprüfung voltage test

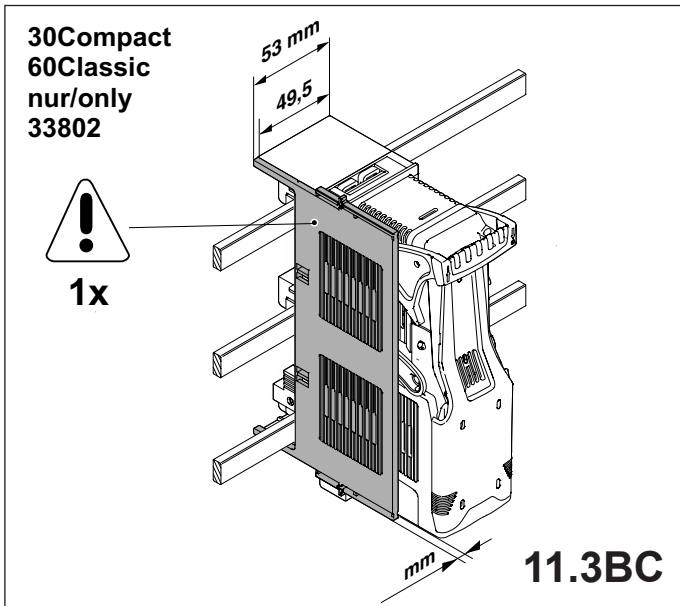
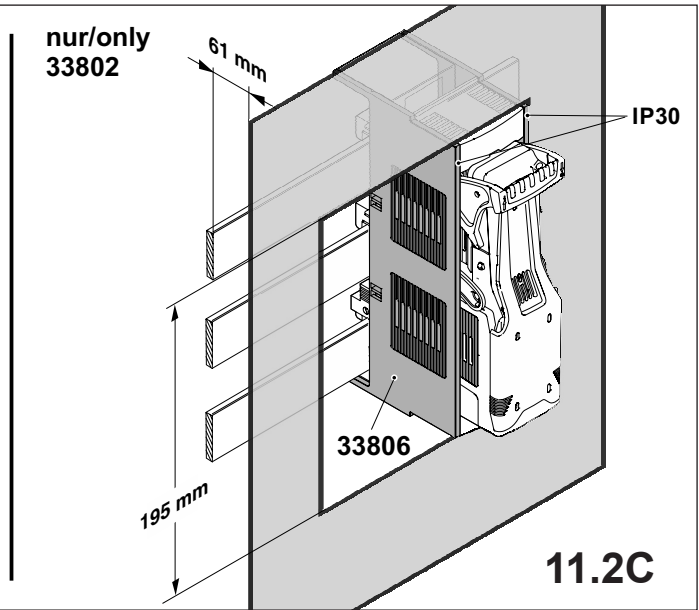
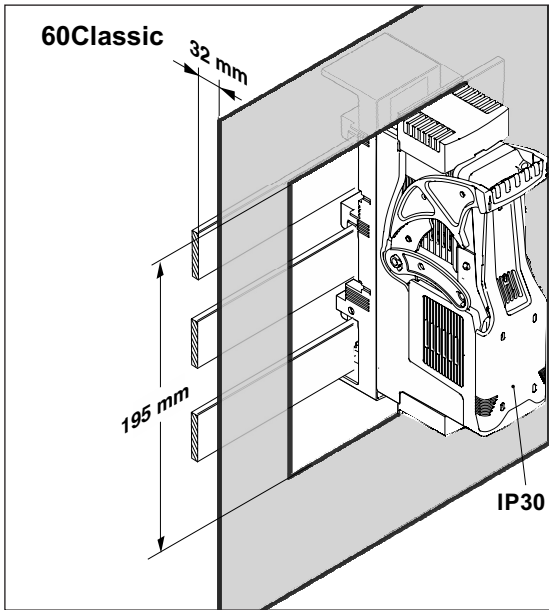


10. Schutzart Safety



11. Zubehör accessories





Text for specification

Description

QUADRON®60Classic
NH fuse switch-disconnector size 000, 125 A
box terminal
60Classic

Standards

IEC 60947-1:2020
IEC 60947-3:2020 AC ratings only

Approvals

CCC

Electrical data

Rated current (IEC): 125 A
rated voltage (IEC) AC: 690 V
rated voltage (IEC) DC: 440 V

AC-21B (690 V / 80 A)
AC-22B (400 V / 125 A)

power dissipation at full load of the item: 10.5 W

rated isolation voltage U_i AC: 800 V
rated surge voltage U_{imp} : 6 kV
max. permitted voltage (IEC) DC: 800 V

In accordance with the specified AC and DC switching properties and in consideration of the overload conditions, certain distances to earthed metal parts are to be adhered to. detailed information upon inquiry

When several devices are used side-by-side in continuous operation, the rated load factor specified in IEC / EN 61439-1, Table 1, must be observed.

Terminal points

box terminal:
1.5 - 50 mm² flexible and flexible with wire-end ferrules*
2.5 - 50 mm² flexible
2.5 - 16 mm² solid round
2.5 - 50 mm² stranded round

Terminal space 10 mm x 10 mm

(*flexible cables of maximum cross-section may not fit when using wire-end ferrule)

Material properties

Body:

temperature stability 125°C,
self-extinguishing in acc. to UL 94,
creepage resistance CTI 600,
halogen-free

Handle:

temperature stability 125°C,
self-extinguishing in acc. to UL 94,
creepage resistance CTI 600

Contacts:

spring-loaded copper contacts, silver plated

Miscellaneous

only 49.5 mm wide rotatable for connection at bottom or top

Brand

Woehner or equivalent

Part No.

33802000A