

# A4BY

Class L

UL/CSA LISTED POWER FUSES

COUNT ON THE HIGH INTERRUPTING RATING  
OF OUR MOST WIDELY USED CLASS L FUSE



When it comes to protecting service entrance equipment, feeder circuits, and circuit breakers, A4BY fuses are the industry's favorite. The A4BY is a 100% rated device and may be applied at continuous currents up to its ampere rating. A 4-second minimum time-delay at 500% rating allows the A4BY to pass normal current surges and to coordinate with ground fault relays.

## FEATURES/BENEFITS:

- Unique dimensions prevent replacement by other fuse classes
- Blade stamped catalog numbers for permanent identification
- Glass melamine body and plated terminals provide superior reliability in harsh environments

## RATINGS:

- **Volts:** 600VAC, 300VDC
- **Amps:** 200 to 6,000A (AC), 200 to 2,500A (DC)
- **IR:** 200kA.I.R. AC, 100kA I.R. DC

## HIGHLIGHTS:

- Current-limiting
- 4-second time-delay
- DC ratings
- Uniform characteristics in all ampere ratings

## APPLICATIONS:

- Mains, feeders
- Circuit breakers
- Load centers
- Panelboards
- Switchboards
- Metering centers

## APPROVALS:

- UL listed to standard 248-10 (601-6000A) File E2137
- CSA certified to standard C22.2 No. 248.10 (601-6000A)
- Self-certified for DC per UL248 (601-6000A)



CATALOG NUMBERS (AMPS)

A4BY200	A4BY700	A4BY1350	A4BY2500
A4BY250	A4BY750	A4BY1400	A4BY3000
A4BY300	A4BY800	A4BY1500	A4BY3001
A4BY350	A4BY801	A4BY1600	A4BY3500
A4BY400	A4BY900	A4BY1601	A4BY4000
A4BY450	A4BY1000	A4BY1800	A4BY4001
A4BY500	A4BY1100	A4BY2000	A4BY4500
A4BY600	A4BY1200	A4BY2001	A4BY5000
A4BY601	A4BY1201	A4BY2200	A4BY6000
A4BY650			

Note: For optional blown fuse trigger indicator add "-TI" to the end of part number.  
Example: A4BY1600-TI. Consult factory for availability.

RECOMMENDED FUSE BLOCKS FOR AMP-TRAP® CLASS L FUSES

Fuse Ampere Rating	Catalog Number 600V or Less 3-Pole
100-800	P48F
801-1200	P412F

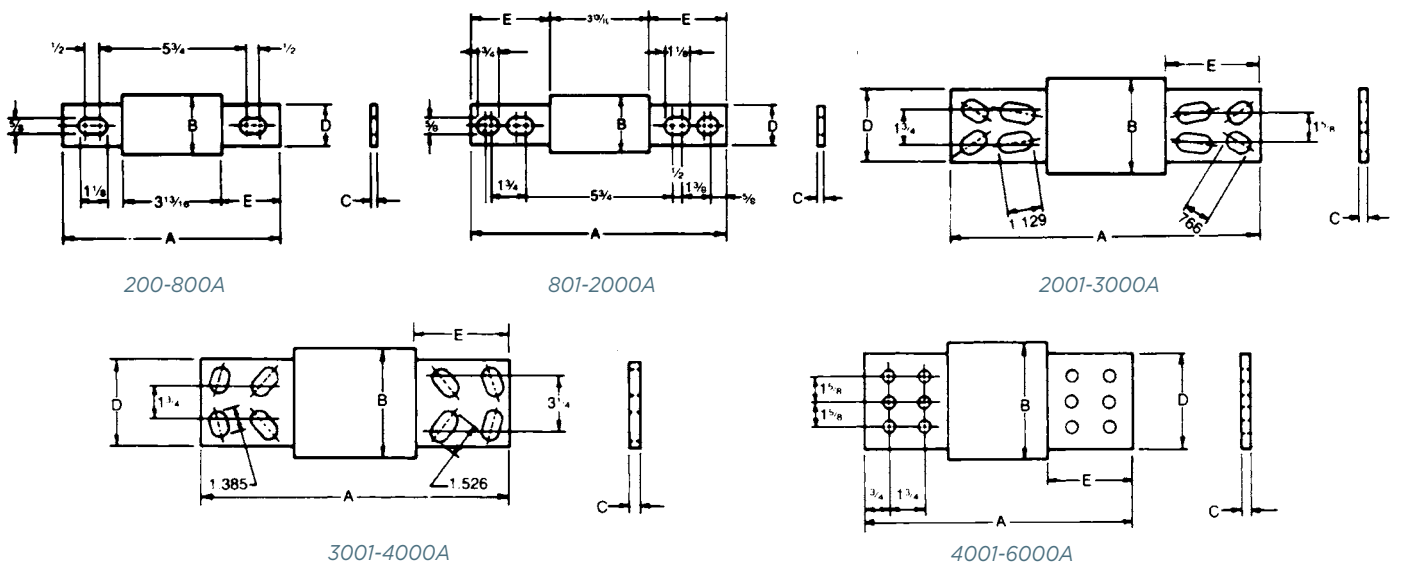
Catalog number P48F is UL recognized  
Catalog number P412F is self-certified

A variety of pole configurations and termination provisions are available. Refer to Section FB for details.

DIMENSIONS

Ampere Rating	A		B		C		D		E	
	in	mm	in	mm	in	mm	in	mm	in	mm
200-600	8-5/8	219	2	51	5/16	8	1-5/8	41	2-13/32	61
601-800	8-5/8	219	2-1/2	63	3/8	9	2	51	2-13/32	61
801-1200	10-3/4	273	2-1/2	63	3/8	9	2	51	3-15/32	88
1201-1600	10-3/4	273	3	76	7/16	11	2-3/8	60	3-15/32	88
1601-2000	10-3/4	273	3-1/2	89	1/2	13	2-3/4	70	3-15/32	88
2001-2500	10-3/4	273	4-1/2	114	3/4	19	3-1/2	89	3-15/32	88
2501-3000	10-3/4	273	5	127	3/4	19	4	102	3-15/32	88
3001-4000	10-3/4	273	5-3/4	146	3/4	19	4-3/4	121	3-15/32	88
4001-5000	10-3/4	273	6-1/4	159	1	25	5-1/4	133	3-15/32	88
5001-6000	10-3/4	273	7-1/8	181	1	25	5-3/4	146	3-15/32	88

Safety Note: Class L fuses are dimensioned for one-way interchangeability.  
A Class L fuse of any lower ampere rating can be substituted for a given Class L fuse.





## DECLARATION OF CONFORMITY

We **Mersen USA EP Corp., 374 Merrimac Street, Newburyport, MA 01950-1998**, Website **ep-us.mersen.com** (this declaration is downloadable),

Certify that products with the registered trade mark Mersen ® or FERRAZ SHAWMUT ®, for

### **UL Class Type L, Fuse Links (please refer to page 2 for items)**

Provided that they are installed, maintained and used in the application for which intended and in accordance with the current installation standards according to manufacturer's recommendations, comply with the following Directives

Low Voltage Directive 2014/35/EU  
RoHS Directive (2011/65/EU) and it's amendment (EU) 2015/863

And are in compliance with the following standard:


IEC 60269-1 Ed.4.2: 2014  
IEC60269-2 Ed 4.0: 2010

Newburyport, MA

Date: 01/10/2020

Name: Frank Nania

Position: VP of Engineering USA

Signature: 

DECLARATION CE N°: 20-0002

*MERSEN USA EP Corp.*

374 MERRIMAC STREET — NEWBURYPORT, MA 01950

T 978 462 6662 — F 978 462 0181 — [info.nby@mersen.com](mailto:info.nby@mersen.com)

[ep.mersen.com](http://ep.mersen.com)



<b>Compliant</b>	<b>Compliant with Exemption 6(c)</b>			
A4BQ100	A4BQ1000	A4BQ3500-TA	A4BY1350	A4BY700
A4BQ150	A4BQ1000-TA	A4BQ3800	A4BY1400	A4BY700-TI
A4BQ200	A4BQ1200	A4BQ3800-TA	A4BY1500	A4BY750
A4BQ250	A4BQ1200-TA	A4BQ4000	A4BY1600	A4BY800
A4BQ300	A4BQ1350	A4BQ4000-TA	A4BY1600-TI	A4BY800-TI
A4BQ350	A4BQ1350-TA	A4BQ5000	A4BY1601	A4BY801
A4BQ400	A4BQ1400	A4BQ6000	A4BY1800	A4BY900
A4BQ450	A4BQ1400-TA	A4BQ601	A4BY2000	A4BY800-TA
A4BQ500	A4BQ1500	A4BQ601-TA	A4BY2001	A4BT1000
A4BQ600	A4BQ1500-TA	A4BQ650	A4BY2001-TI	A4BT1000-TA
	A4BQ1600	A4BQ650-TA	A4BY2200	A4BT1100
	A4BQ1600-TA	A4BQ700	A4BY2500	A4BT1200
	A4BQ1800	A4BQ700-TA	A4BY2500-TI	A4BT1400
	A4BQ1800-TA	A4BQ750	A4BY3000	A4BT1400-TA
	A4BQ1900	A4BQ750-TA	A4BY3000-TI	A4BT1500
	A4BQ2000	A4BQ800	A4BY3001	A4BT1600
	A4BQ2000-TA	A4BQ800-TA	A4BY3500	A4BT1800
	A4BQ2001-TA	A4BQ900	A4BY4000	A4BT2000
	A4BQ2200-TA	A4BQ900-TA	A4BY4000-TI	A4BT2000-TA
	A4BQ2500	A4BY1000	A4BY4001	A4BT601
	A4BQ2500-TA	A4BY1000-TI	A4BY4500	A4BT650
	A4BQ2501	A4BY1100	A4BY5000	A4BT700
	A4BQ3000	A4BY1200	A4BY6000	A4BT750
	A4BQ3000-TA	A4BY1200-TI	A4BY601	A4BT800
	A4BQ3500	A4BY1201	A4BY650	A4BT800-TA
				A4BT900