

LTRS REVISIONS

ORIGINATOR	CHECKER	ENGR APP	MATL AI
RELEASE 8U5T-14A163-AA AELE-E-11890049-008	A. HAAS	20060825	
E. WEBER	A. HAAS		
A1 ADDED RIB 2X			
A2 WAS 10			
A3 WAS 14			
A4 ADDED DIM			
RELEASE 8U5T-14A163-AB AELE-E-11789584-123		20080513	
NJACKSON	RDREICKER		
B1 ADDED DIMENSION			
B2 ADDED PERFORMANCE SPECIFICATION AELE-E-11789584-147		20080721	
NJACKSON	RDREICKER		
C1 WAS 4.0LBS MIN AELE-E-11789584-166		20080923	
NJACKSON	RDREICKER		

UNLESS OTHERWISE SPECIFIED:
 BURRS-SHARP EDGES AND FOREIGN MATERIAL
 RESULTING FROM GOOD MANUFACTURING
 PRACTICES ARE ACCEPTABLE PROVIDING
 THEY ARE NOT DETRIMENTAL TO ASSEMBLY-
 FUNCTION OR SAFE HANDLING AS DETERMINED
 BY ENGINEER PRODUCT ENGINEERING

TO BE USED WITH: $\phi 3-\phi 4$ ROD

INSERTION FORCE OF $\phi 4$ ROD TO RETAINER: 15LBS MAX
 EXTRACTION FORCE OF $\phi 3$ ROD FROM RETAINER: 30LBS MIN
 CORROSION PROTECTION FOR SERVICE PARTS MUST
 COMPLY WITH FORD CUSTOMER SERVICE DIVISION
 (FCSD) PACKAGING AND SHIPPING GUIDE

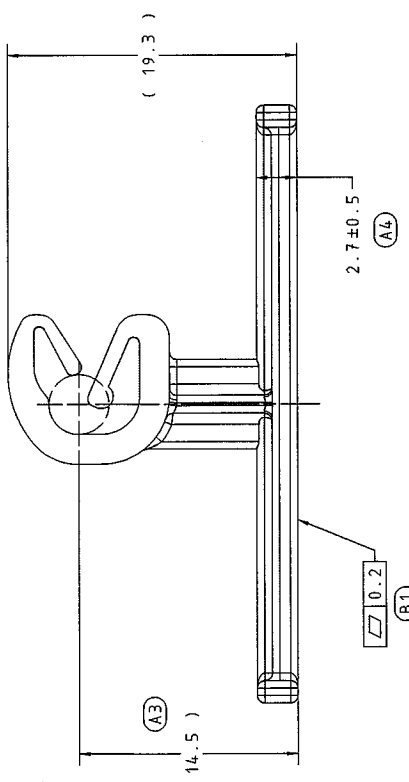
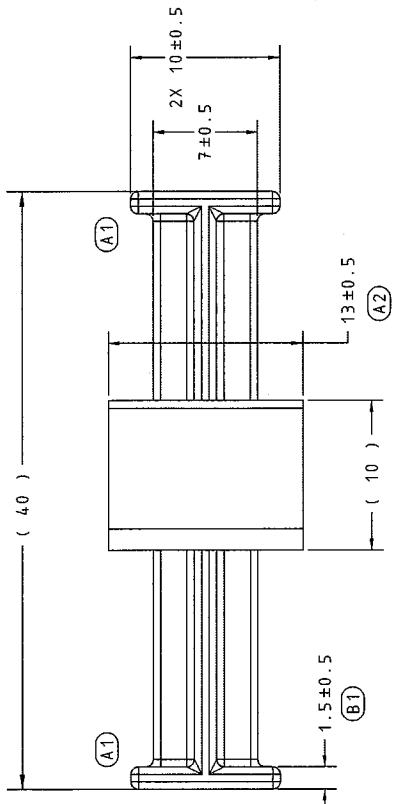
FOR ENGINEERING APPROVED SOURCE, SEE THE
 WERS ENGINEERING NOTICE
 FOR ENGINEERING APPROVAL OF SAMPLES FROM
 EACH SUPPLIER IS REQUIRED PRIOR TO
 AUTHORIZATION OF PART PRODUCTION

CHANGES AFFECTING DESIGN, COMPOSITION OR
 PROCESSING OF THE PART PREVIOUSLY APPROVED
 FOR PRODUCTION REQUIRE PRIOR APPROVAL FROM
 FORD MOTOR COMPANY PRODUCT ENGINEERING.
 REFER TO QS-9000 OR ISO/TS 16949 AS
 APPLICABLE

FOR CURRENT RELEASE STATUS SEE THE WERS
 ENGINEERING NOTICE

MATERIALS DEFINED BY ES/WS-M CALL-OUTS
 REQUIRE PRIOR ENGINEERING APPROVAL. SEE
 FORD MOTOR COMPANY ENGINEERING STANDARDS
 ENGINEERING MATERIAL APPROVED SOURCE LIST

PART MUST COMPLY WITH MATERIAL CONTROL
 BLACK/GRAY BOX PROGRAM WSS-M99P23-B



MATERIAL LIST

ITEM 1:
 MATERIAL: ACETAL
 PER: WSK-M40635-A2
 COLOR: BLACK



PART NUMBER 4179

REFERENCE

PART MUST COMPLY WITH RESTRICTED SUBSTANCE MANAGEMENT STANDARD
 WSS-M99P9999-A1 TO SAFEGUARD HEALTH, SAFETY AND THE ENVIRONMENT
 DRAFTED IN ACCORDANCE WITH FORD MOTOR COMPANY ENGINEERING CAD AND DRAFTING
 STANDARDS VERSION 16

CAD TYPE	CAD LOC.	CAD FILE	DTMC
I-DEAS	METAPH	8U5T-14A163-A	IS MAS
OPER. NO.	UNIT	DRAWING	
-----	-----	8U5T-14A163-AB	

DESIGN	DETAIL	TITLE	SHT
N. JACKSON	E. WEBER	RETAINER - ROD	OF
CHECKED	SAFETY	W/TAPE FLANGE	
A. HAAS	-----		
SCALE	DATE	DIVISION	
4:1	20060828	PLANT	



FORD MOTOR COMPANY