

SWITCH / ANTI-VANDAL SWITCH

## PBM12 M12 BUSHING

ANTI-VANDAL SWITCH, UP TO 0.5A 48VDC, NON-ILLUMINATED TYPE

PDF Download

Get Information



 ZOOM IN

### Feature

---

- IP67 protection level for long case, IP65 level for short case
- Non-illuminated type
- Function with SPST OFF-(ON), & SPDT ON-(ON) & ON-ON
- M12 bushing, screw mounting
- Aluminum alloy, brass or Stainless steel body material
- Curve button for SPST, raised button for SPDT type
- Solder terminals

### Specification

---

- Rating: 0.5A 48VDC, 0.2A 50VDC, 0.2A 250VAC
- Contact resistance: 50m  $\Omega$  (max.) initial
- Insulation resistance: 100M  $\Omega$  (min)
- Dielectric strength : 1,000VAC for 1 minute
- Operating Life: 200,000 cycles

How to Order:

PBM12 — 11M — R R — NNN — A6 — S

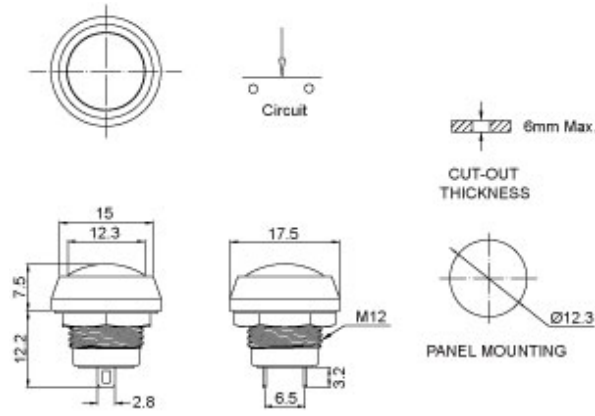
| SERIES SYMBOL                      | FUNCTION               | BUTTON TYPE | BUTTON COLOR  | LAMP             | BODY TYPE  | TERMINAL           |
|------------------------------------|------------------------|-------------|---|------------------|--|--------------------|
| PBM12 SERIES<br>SPST<br>short case | 11M SPST<br>OFF - (ON) | R CURVE     | W WHITE<br>R RED<br>G GREEN<br>U BLUE<br>Y YELLOW<br>B BLACK<br>S NATURAL (METAL) | NNN WITHOUT LAMP | A6 ALUMINUM ALLOY, BLACK OXIDE<br>B1 BRASS, MIRROR CHROME PLATED<br>B2 BRASS, MIRROR NICKEL PLATED<br>SN STAINLESS STEEL | S SOLDER TERMINALS |

PBM12 — 13M — H S — NNN — B1 — S

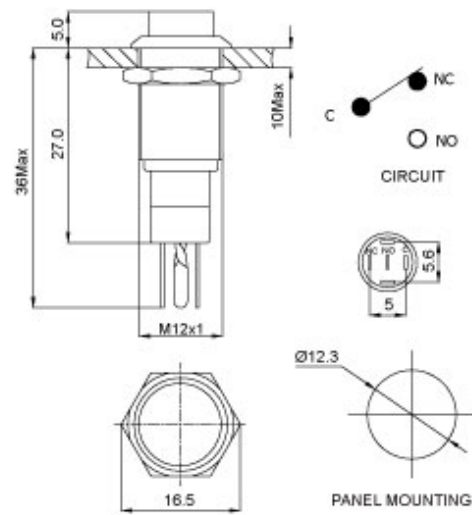
| SERIES SYMBOL                     | FUNCTION                                     | BUTTON TYPE | BUTTON COLOR      | LAMP             | BODY TYPE                          | TERMINAL           |
|-----------------------------------|--|-------------|-------------------|------------------|------------------------------------|--------------------|
| PBM12 SERIES<br>SPDT<br>long case | 13M SPDT<br>ON - (ON)<br>13Z SPDT<br>ON - ON | H RAISED    | S NATURAL (METAL) | NNN WITHOUT LAMP | B1 BRASS WITH MIRROR CHROME PLATED | S SOLDER TERMINALS |

Item

---



**PBM12-12-11M-R\*-NNN-A6-S**



**PBM12-13Z-HS-NNN-B1-S**



PBM12-11M-RR-  
NNN-A6-S



PBM12-11M-RB-  
NNN-A6-S



PBM12-11M-RG-  
NNN-SN-S



PBM12-11M-RS-  
NNN-SN-S



PBM12-11M-RU-  
NNN-B2-S



PBM12-11M-RY-  
NNN-B2-S



PBM12-11M-RW-  
NNN-B2-S



PBM12-13Z-HS-  
NNN-B1-S

 Start Print

Canal Components Inc. Tel:+886-2-29161263 Fax:+886-2-29117574  
Copyright ©2009 Canal Components Inc.. All rights reserved.