

SWITCH / ROCKER SW

R-series
22x30 MOUNTING, DOUBLE POLE
ROCKER SWITCHES UP TO 30A
125/250VAC, 128A INRUSH

DOUBLE POLE ROCKER SWITCHES UP TO 30A 125/250VAC
OR 128A inrush

illuminated or non-lighted, splash-proof cover

Waterproof cover boot, Protected guard as optional accessory

One, dual or three actuator options

UL61058-1 approval available



PDF Download

Get Information

ZOOM IN

Feature



Two positions:

- 20A 125VAC (cURus)
- 16A 125/250VAC(cURus)
- 16(4)A 250V~ T125/55 (cURus ENEC15, CQC)
- 3/4HP 120/250VAC (cURus) optional
- *Optional:* 10(2)A 250~T125/55 5E4 (cURus, ENEC15, CQC)
- *Optional:* 16(8)A 250V~ T125/55 (cURus, ENEC15, CQC)
- *Optional:* 25(8)A 250VAC T125/55 (CQC)
- *Optional:* 8[128]A 250V T55 1E4 (cURus, ENEC15)
- *Optional:* 30(8)A 125/250VAC T125/55 1E4 (cURus, ENEC15)
- *Optional:* 30A 48VDC T125/55 1E4 (cURus, ENEC15)

Three positions:

- 16A 125/250VAC(cURus)
- 16(4)A 250V~ T85/55 (cURus, ENEC15, CQC)

- Initial contact resistance : 20m ohm max.
- Insulation resistance : 100M ohm min, at 500VDC
- Dielectric strength : 1500VAC for 1 minute
- Electrical life: 10000 cycles
- *Optional:* Meeting IEC60335-1 glow wire test 750°C \leq 2Sec.
- Safety approved internationally by cURus in North America, ENEC15 in Europe, CQC in Asia
- Standard 22x30mm snap-in cutout size
- SPST, SPDT, DPST, DPDT
- Quick-connect, solder and screw and PC terminals
- Waterproof cover boot or protecting guard as accessories

Specification

How to Order

R	2	1	0	C	5	W
POLE	FUNCTION	TERMINAL TYPE	ACTUATOR TYPE	MARKING TYPE	MARKING COLOR	
1 SINGLE POLE	1 ON-OFF	0 QUICK CONNECT	C CURVE	1	N NONE	
2 DOUBLE POLE	2 ON-ON	1 SOLDER	F FLAT	2	B BLACK	
	3 ON-OFF-ON	2 PC TERMINAL	T TWIN	3	W WHITE	
	4 (ON)-OFF	3 SCREW		4	R RED	
	5 (ON)-ON			5		
	6 (ON)-OFF-(ON)			6		
	7 (ON)-OFF-ON					

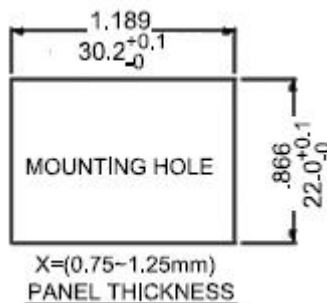
*Ask us for other marks!

L	B	R	B	X
ILLUMINATED TYPE	BASE COLOR	ACTUATOR COLOR	RATING & TEMPERATURE	SUFFIXES
N NONE	A GRAY	Non-illuminated	A 16(4)A 125/250VAC T55	Blank or Letter / Number
L 100~125VAC	B BLACK	A GRAY	B 16(8)A 125/250VAC T55	* Consult us for detailed code
G 200~250VAC	W WHITE	B BLACK	C 30(8)A 125/250VAC T55	
C 100~125VAC WITH CIRCLE LENS		W WHITE	D 16RA (6~30VDC) T55	
D 200~250VAC WITH CIRCLE LENS		R RED	G 30A 48VDC T55	
1 LED 5VDC		illuminated	F 8[128] 250VAC T55 (no lamp)	
2 LED 12VDC		R RED	1 16(4)A 125/250VAC T125/55	
3 LED 24VDC		O ORANGE	2 16(8)A 125/250VAC T125/55	
4 LED 28VDC		G GREEN	3 16(4)A 125/250VAC T85/55	
5 LED 48VDC			4 16RA (6~30VDC) T125/55	
* Ask us for other illuminated type			5 30(8)A 125/250VAC T125/55	
			6 30A 48VDC T125/55	
			9 1/3HP, 3/4HP 125/250VAC 6E3	

Quoted from Wikipedia:

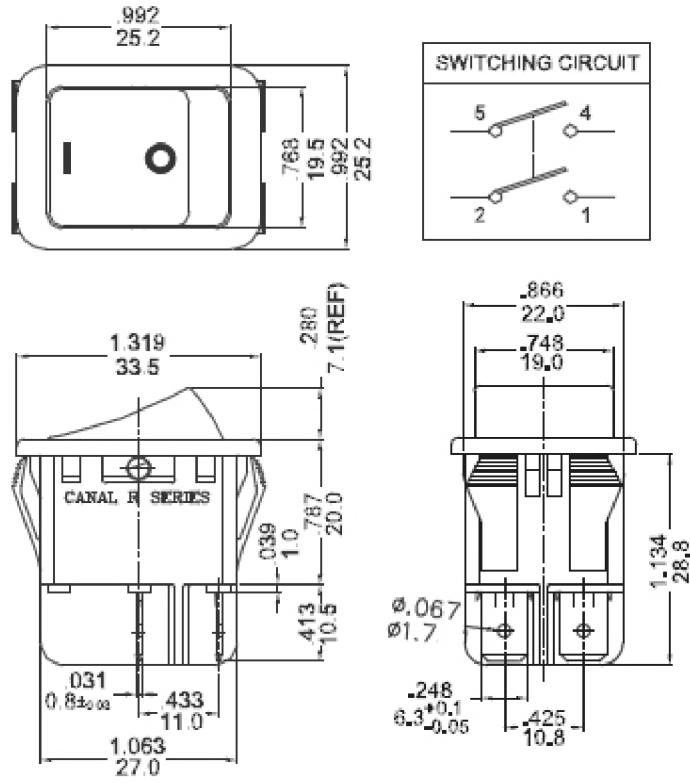
~Inrush current, input surge current or switch-on surge is the maximum, instantaneous input current drawn by an electrical device when first turned on. For example, incandescent light bulbs have high inrush currents until their filaments warm up and their resistance increases. Alternating current electric motors and transformers may draw several times..... ~

Choosing a switch that can have a good capacity for your device is thus very important for your device's safety. Our R series can offer an option up to 8A'L' up to 128A inrush that can be the appropriate switch to ensure your device's life and stability.

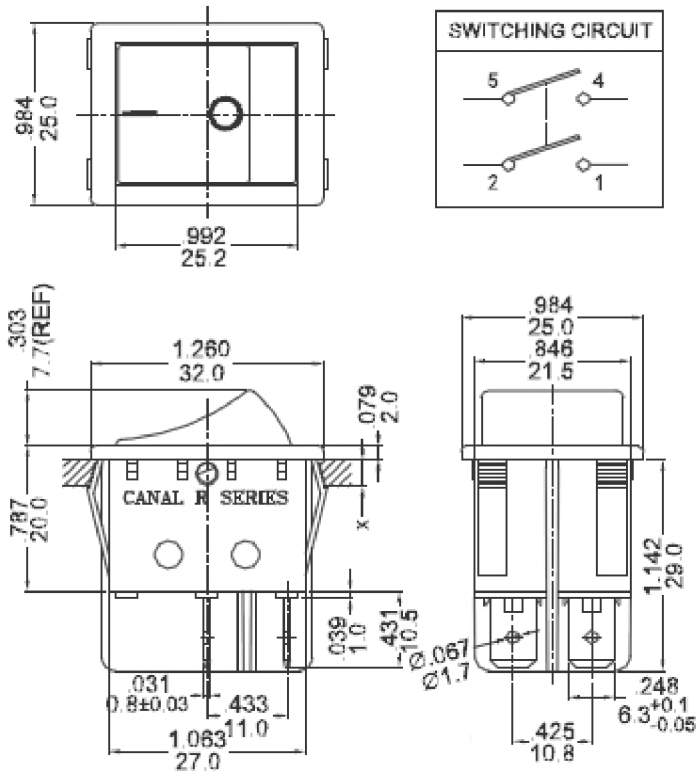




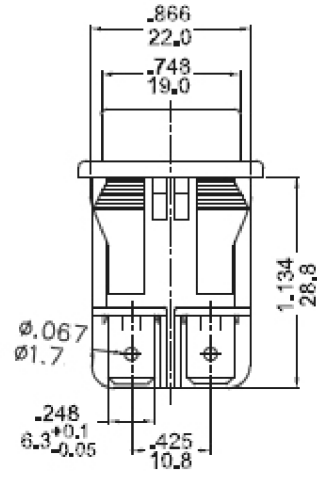
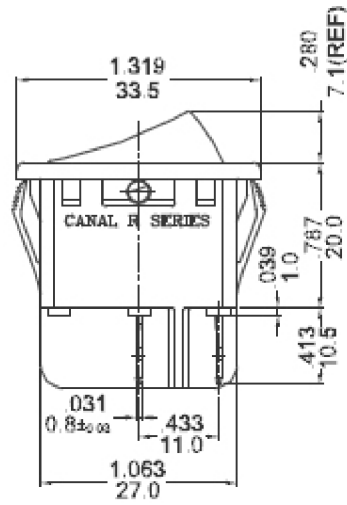
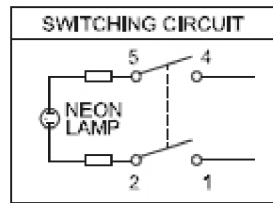
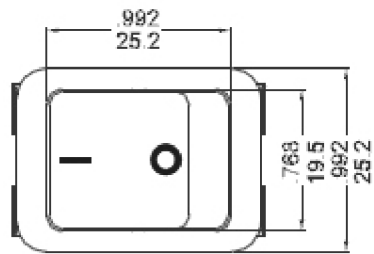
R-210C4W-NBB2



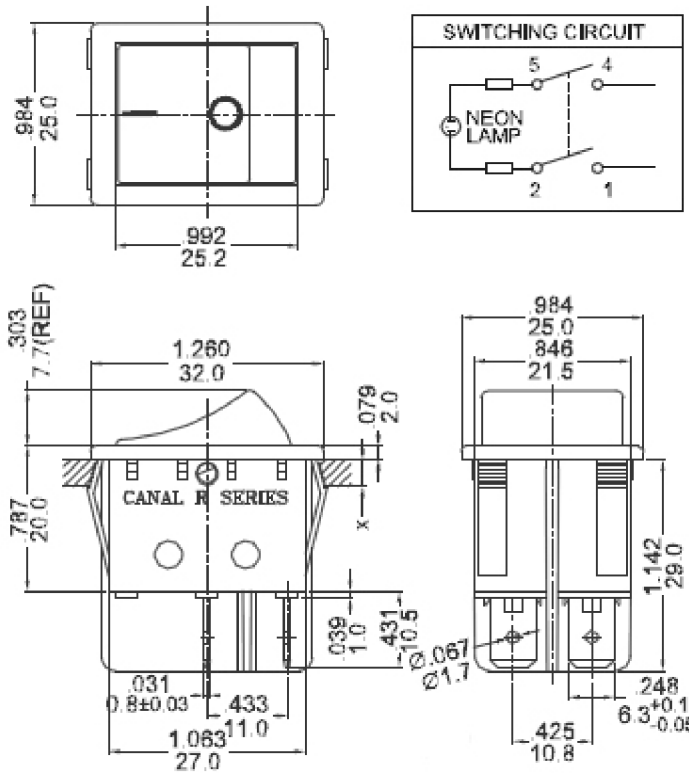
R-210C5W-NBBB



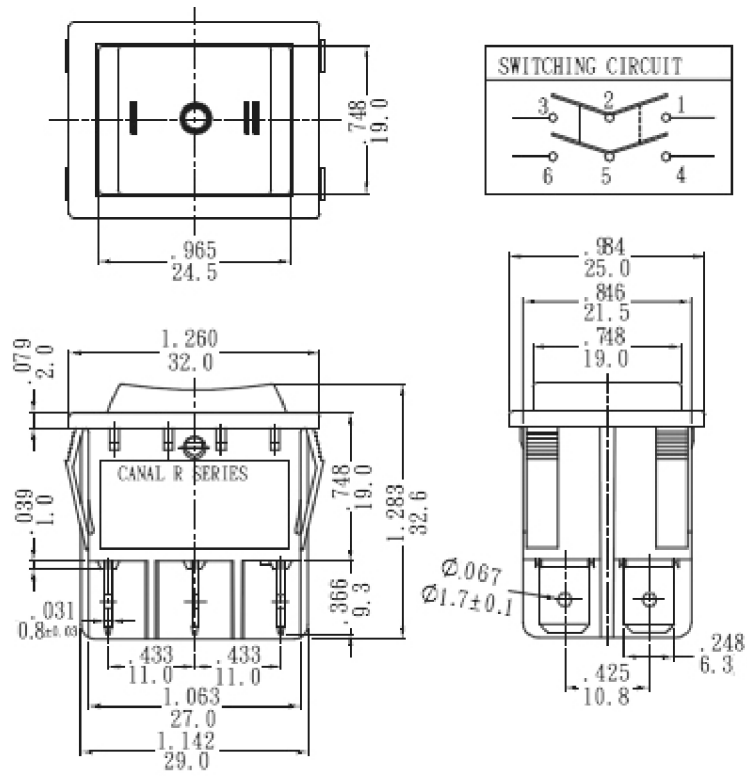
R-210C5W-GBRB



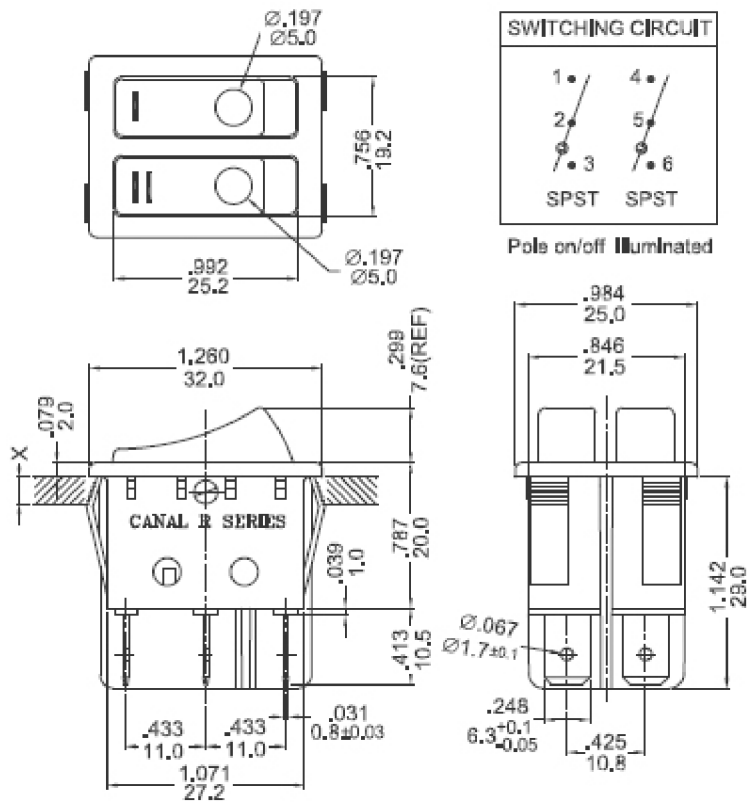
R-210C5W-LBRA



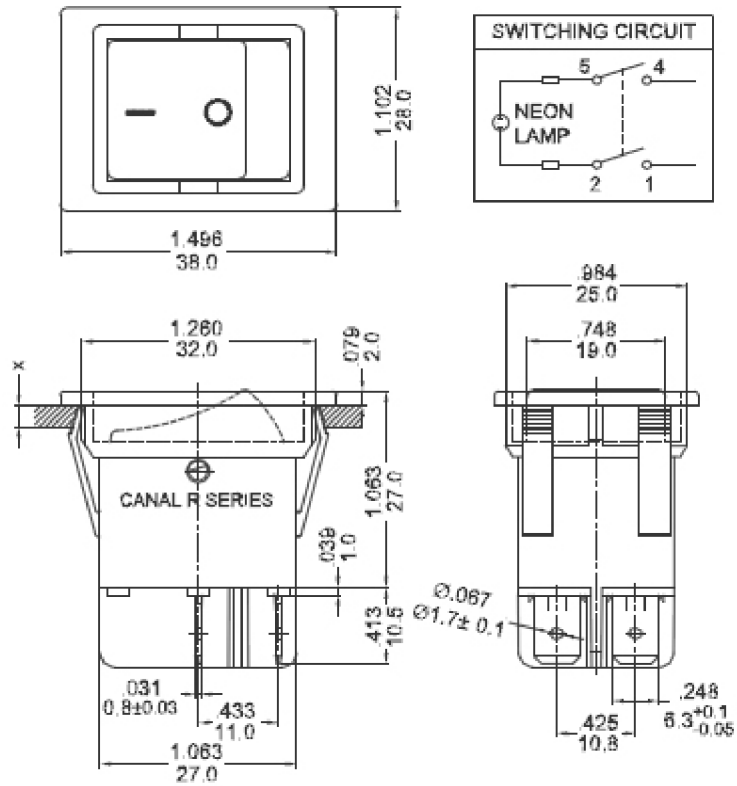
R-230C6W-NBBA



R-210CXN-CBBA



R-210C5W-LBR1



Other extended types:



 Start Print