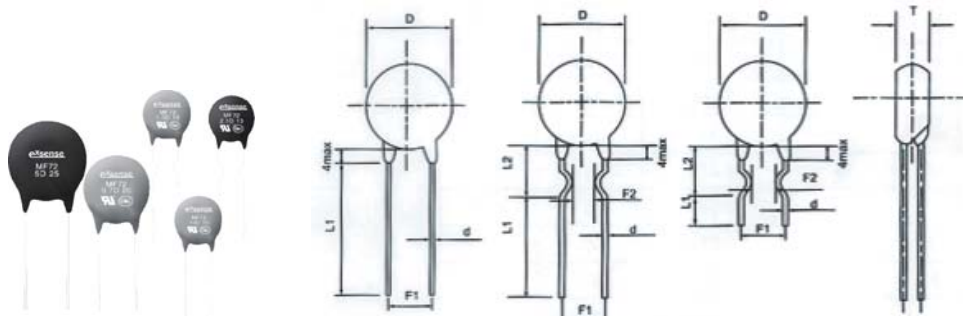


---

## PT Series--Power Type NTC Thermistor



unit : mm

PT series NTC thermistor has to be connected in series to the power source circuit to avoid the surge current at the instant when the electronic circuits are turned on. The device can effectively suppress the surge current, and its resistance and power consumption can be greatly reduced after that through the continuous effect of the current so as not to affect the normal work current. Therefore the Power NTC thermistor is the most convenient and efficient instrument to curb the surge current and protect the electronic devices from being damaged.

### FEATURES

- Strong power and strong capability of surge current protection.
- Fast response to the rapidly surge.
- Big material constance(B value),Small remain resistance
- High reliability.
- Integral series, Extensive operating range.
- Operating temp.  $-55^{\circ}\text{C} \sim +200^{\circ}\text{C}$

### APPLICATION

- Switching power supply
- UPS power supply
- Electric heaters
- Electric heaters electronic energy-saving lamps
- Filament protection of color tubes
- Incandescent lamps and other lights
- Electronic ballasts

## Part Number Identification

NTC	□	D □	①	②	③
①	②	③	Products Code	R <sub>25°C</sub>	Max. Dia.
NTC	Power NTC Thermistor	5	5Ω	D5	5mm
		33	33Ω	D11	11mm
		120	120Ω	D13	13mm

## Electronic Parameter Specification

Part No.	R <sub>25°C</sub> (Ω)	Max. Steady State Current (A)	Approx.R @ Max.Cur (Ω)	Dissipation Factor ( $\delta$ )(mW/°C)	Thermal Time Constant (S)
NTC-5D5	5	1	0.353	6	20
NTC-10D5	10	0.7	0.771	6	20
NTC-60D5	60	0.5	1.878	6	18
NTC-200D5	200	0.1	6.259	6	18
NTC-5D7	5	2	0.283	10	30
NTC-8D7	8	1	0.539	9	28
NTC-10D7	10	1	0.616	9	27
NTC-12D7	12	1	0.816	9	27
NTC-16D7	16	0.7	1.003	9	27
NTC-22D7	22	0.6	1.108	9	27
NTC-33D7	33	0.5	1.485	10	28
NTC-200D7	200	0.2	6.233	11	28
NTC-3D9	3	4	0.120	11	35
NTC-4D9	4	3	0.190	11	35
NTC-5D9	5	3	0.210	11	34
NTC-6D9	6	2	0.315	11	34
NTC-8D9	8	2	0.400	11	32
NTC-10D9	10	2	0.458	11	32
NTC-12D9	12	1	0.652	11	32
NTC-16D9	16	1	0.802	11	31
NTC-20D9	20	1	0.864	11	30
NTC-22D9	22	1	0.950	11	30
NTC-30D9	30	1	1.022	11	30
NTC-33D9	33	1	1.124	11	30
NTC-50D9	50	1	1.252	11	30
NTC-60D9	60	0.8	1.502	11	30
NTC-80D9	80	0.8	2.010	11	30
NTC-120D9	120	0.8	3.015	11	30
NTC-200D9	200	0.5	5.007	11	32
NTC-400D9	400	0.2	9.852	11	32
NTC-2.5D11	2.5	5	0.095	13	43
NTC-3D11	3	5	0.100	13	43

NTC-4D11	4	4	0.150	13	44
NTC-5D11	5	4	0.156	13	45
NTC-6D11	6	3	0.240	13	45
NTC-8D11	8	3	0.255	14	47
NTC-10D11	10	3	0.275	14	47
NTC-12D11	12	2	0.462	14	48
NTC-16D11	16	2	0.470	14	50
NTC-20D11	20	2	0.512	15	52
NTC-22D11	22	2	0.563	15	52
NTC-30D11	30	1.5	0.667	15	52
NTC-33D11	33	1.5	0.734	15	52
NTC-50D11	50	1.5	1.021	15	52
NTC-60D11	60	1.5	1.215	15	52
NTC-80D11	80	1.2	1.656	15	52
NTC-1.3D13	1.3	7	0.062	13	60
NTC-1.5D13	1.5	7	0.073	13	60
NTC-2.5D13	2.5	6	0.088	13	60
NTC-3D13	3	6	0.092	14	60
NTC-4D13	4	5	0.120	15	67
NTC-5D13	5	5	0.125	15	68
NTC-6D13	6	4	0.170	15	65
NTC-7D13	7	4	0.188	15	65
NTC-8D13	8	4	0.194	15	60
NTC-10D13	10	4	0.206	15	65
NTC-12D13	12	3	0.316	16	65
NTC-15D13	15	3	0.335	16	60
NTC-16D13	16	3	0.338	16	60
NTC-20D13	20	3	0.372	16	65
NTC-30D13	30	2.5	0.517	16	65
NTC-47D13	47	2	0.810	17	65
NTC-120D13	120	1.5	2.124	16	65
NTC-1.3D15	1.3	8	0.048	18	68
NTC-1.5D15	1.5	8	0.052	19	69
NTC-3D15	3	7	0.075	18	76
NTC-5D15	5	6	0.112	20	76
NTC-6D15	6	5	0.155	20	80
NTC-7D15	7	5	0.173	20	80
NTC-8D15	9	5	0.178	20	80
NTC-10D15	10	5	0.180	20	75
NTC-12D15	12	4	0.250	20	75
NTC-15D15	15	4	0.268	21	85
NTC-16D15	16	4	0.276	21	70
NTC-20D15	20	4	0.288	17	86
NTC-30D15	30	3.5	0.438	18	75
NTC-47D15	47	3	0.680	21	86
NTC-120D15	120	2.5	1.652	22	87
NTC-0.7D20	0.7	12	0.018	25	112
NTC-1.3D20	1.3	9	0.037	24	113
NTC-3D20	3	8	0.055	24	113
NTC-5D20	5	7	0.087	23	112
NTC-6D20	6	6	0.113	25	114

NTC-8D20	8	6	0.142	25	115
NTC-10D20	10	6	0.162	24	113
NTC-12D20	12	5	0.195	24	114
NTC-16D20	16	5	0.212	25	113
NTC-0.7D25	0.7	13	0.014	30	151
NTC-1.5D25	1.5	10	0.027	30	152
NTC-3D25	3	9	0.044	32	150
NTC-5D25	5	8	0.070	32	151
NTC-8D25	8	7	0.114	33	151
NTC-10D25	10	7	0.130	32	150
NTC-12D25	12	6	0.156	32	150
NTC-16D25	16	6	0.160	35	152

### Dimension

Part NO.	D $\begin{matrix} +1 \\ -2 \end{matrix}$	Tmax	d $\pm 0.05$	F 1 $\pm 1$	F 2 $\pm 1.5$	Streight Lead	Curve Lead	
						Lmin	b L 1 min	L 2 $\pm 2$
NTC-□D5	6.5	5	0.6/0.45	5/2.5	3	25	17/5	8
NTC-□D7	8.5	5	0.6	5	3			
NTC-□D9	10.5	5.5	0.8/0.6	7.5/5	5/3			
NTC-□D11	12.5	5.5	0.8	7.5/5	5/3			
NTC-□D13	14.5	6	0.8	7.5	5			
NTC-□D15	16.5	6	0.8	10/7.5	5			
NTC-□D20	21.5	7	1.0	10/7.5	/	/	/	
NTC-□D25	26.5	8	1.0	10	/	/	/	

◆ “□”: zero-power resistance.

◆ 17/5: “17” for curve shaped long lead, “5” for curve shaped short lead.