

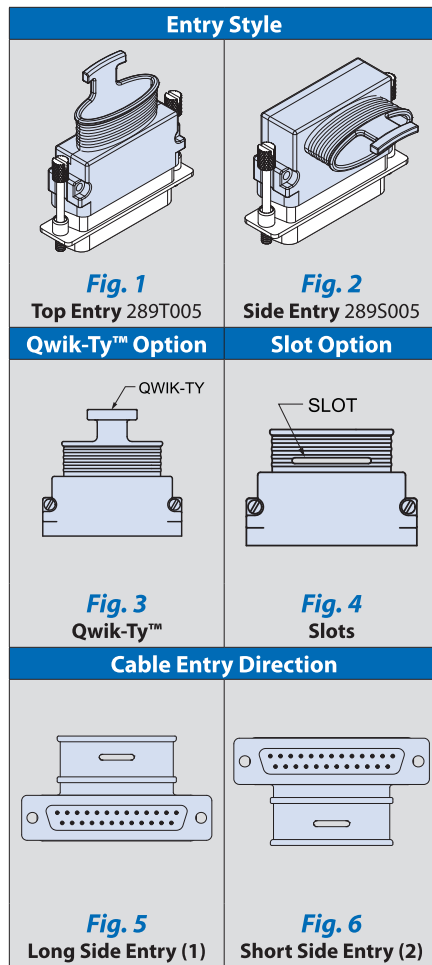
SPACE-GRADE HIPER-D BACKSHELLS

Split-Shell Low-Profile EMI Backshell, Elliptical Entry, Non-environmental

289T005 top entry, 289S005 side entry



289T005
289S005



FOR USE WITH GLENAIR SERIES 28 HIPER-D CONNECTORS

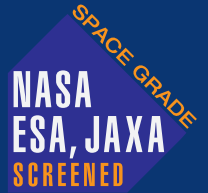
Lightweight, low profile space-saving two piece backshell fits securely into groove in HiPer-D® connectors. Fits standard HiPer-D® pin and socket connectors (280-018P, 280-019S) and Combo HiPer-D® connectors (280-046P and 280-047S). Terminate cable shield with optional Band-Master™ATS clamping band. Elliptical cable entry provides room for large wire bundles. Machined aluminum alloy or stainless steel backshell consists of two interlocking housings and two 300 series stainless steel screws. Overlapping seam improves EMI shielding performance. Compatible with Glenair Series 77 lipped heat-shrink boots. Non-environmental.

Ordering Information							
Sample Part Number	289T005	ME	3	B	-N	N	K
Basic Part Number	289T005 = Top Entry (Fig. 1) 289S005 = Side Entry (Fig. 2)						
Finish	ME = Electroless Nickel (RoHS) Z2 = Gold (RoHS)						
Shell Size	1 = Shell Size 1 2 = Shell Size 2 3 = Shell Size 3 4 = Shell Size 4 5 = Shell Size 5 6 = Shell Size 6						
Entry Size	A, B, C or D See Cable Entry Size Table Below						
Qwik-Ty™ Option	N = Supplied without Qwik-Ty™ T = With Qwik-Ty™ Strain Relief (Fig. 3)						
Slot Option	N = Supplied without Slots S = With Slots for Terminating Individual Shields (Fig. 4)						
EMI/RFI Band	N = Supplied without Band K = Supplied with Pre-Coiled Band (600-052-1)						
Cable Entry Direction	Omit for 289T005. Applies only to 289S005. 1 = Cable Entry on Long Side of Shell Keystone (Fig. 5) 2 = Cable Entry on Short Side of Shell Keystone (Fig. 6)						

Cable Entry Size																
Shell Size	SIZE A				SIZE B				SIZE C				SIZE D			
	E		F		E		F		E		F		E		F	
	In.	mm	In.	mm	In.	mm	In.	mm	In.	mm	In.	mm	In.	mm	In.	mm
1	.143	3.63	.143	3.63	.195	4.95	.195	4.95	.242	6.15	.242	6.15	.438	11.13	.375	9.53
2	.188	4.78	.188	4.78	.256	6.50	.256	6.50	.480	12.19	.375	9.53	.688	17.48	.375	9.53
3	.245	6.22	.245	6.22	.550	13.97	.375	9.53	.780	19.81	.375	9.53	1.125	28.58	.375	9.53
4	.291	7.39	.291	7.39	.800	20.32	.375	9.53	1.260	32.00	.375	9.53	1.813	46.05	.375	9.53
5	.326	8.28	.326	8.28	.770	19.56	.485	12.32	1.250	31.75	.485	12.32	1.750	44.45	.485	12.32
6	.376	9.55	.376	9.55	.863	21.92	.550	13.97	1.323	33.60	.550	13.97	1.875	47.63	.550	13.97

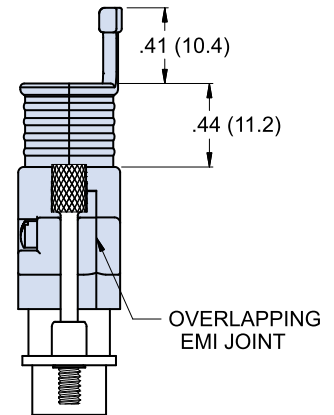
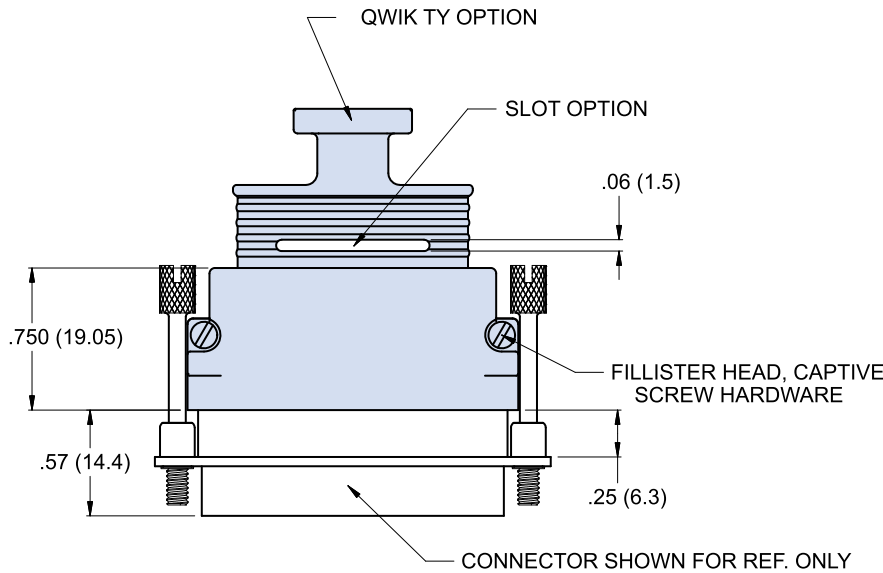
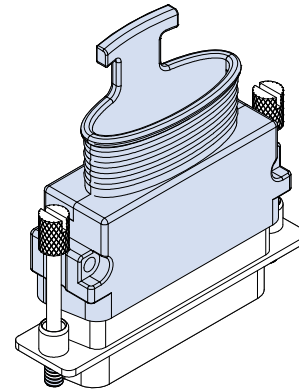
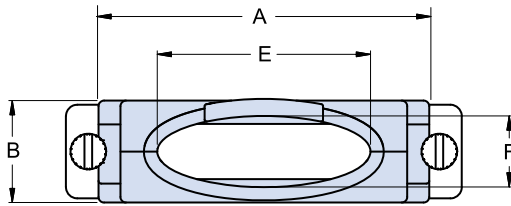
SPACE-GRADE HIPER-D BACKSHELLS

Split-Shell Low-Profile EMI Backshell, Elliptical Entry, Non-environmental



289T005 dimensions

289T005 DIMENSIONS



D-SUBMINIATURE

Dimensions																				
Shell Size	Entry Size A				Entry Size B				Entry Size C				Entry Size D							
	A Max		B Max		E		F		E		F		E		F					
	In.	mm	In.	mm	In.	mm	In.	mm	In.	mm	In.	mm	In.	mm	In.	mm				
1	.894	22.71	.550	13.97	.143	3.63	.143	3.63	.195	4.95	.195	4.95	.242	6.15	.242	6.15	.438	11.13	.375	9.53
2	1.218	30.94	.550	13.97	.188	4.78	.188	4.78	.256	6.50	.256	6.50	.480	12.19	.375	9.53	.688	17.48	.375	9.53
3	1.760	44.70	.550	13.97	.245	6.22	.245	6.22	.550	13.97	.375	9.53	.780	19.81	.375	9.53	1.125	28.58	.375	9.53
4	2.408	61.16	.550	13.97	.291	7.39	.291	7.39	.800	20.32	.375	9.53	1.260	32.00	.375	9.53	1.813	46.05	.375	9.53
5	2.297	58.34	.654	16.61	.326	8.28	.326	8.28	.770	19.56	.485	12.32	1.250	31.75	.485	12.32	1.750	44.45	.485	12.32
6	2.422	61.52	.716	18.19	.376	9.55	.376	9.55	.863	21.92	.550	13.97	1.323	33.60	.550	13.97	1.875	47.63	.550	13.97