

# IS61LV256

## 32K x 8 LOW VOLTAGE CMOS STATIC RAM

June 2005

### FEATURES

- High-speed access times:
  - 8, 10, 12, 15 ns
- Automatic power-down when chip is deselected
- CMOS low power operation
  - 345 mW (max.) operating
  - 7 mW (max.) CMOS standby
- TTL compatible interface levels
- Single 3.3V power supply
- Fully static operation: no clock or refresh required
- Three-state outputs
- Lead-free Available

### DESCRIPTION

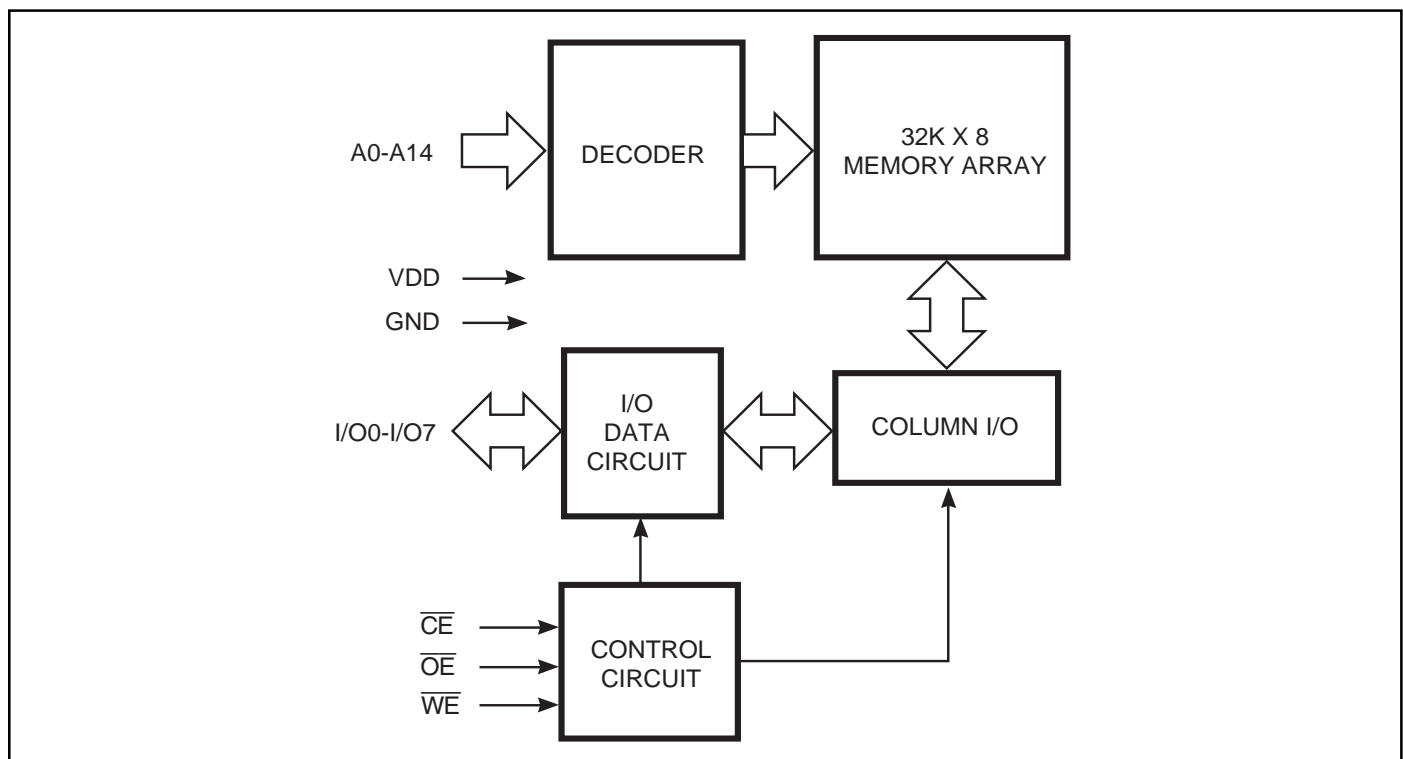
The *ISSI* IS61LV256 is a very high-speed, low power, 32,768-word by 8-bit static RAM. It is fabricated using *ISSI*'s high-performance CMOS technology. This highly reliable process coupled with innovative circuit design techniques, yields access times as fast as 8 ns maximum.

When  $\overline{CE}$  is HIGH (deselected), the device assumes a standby mode at which the power dissipation is reduced to 50  $\mu$ W (typical) with CMOS input levels.

Easy memory expansion is provided by using an active LOW Chip Enable ( $\overline{CE}$ ). The active LOW Write Enable ( $\overline{WE}$ ) controls both writing and reading of the memory.

The IS61LV256 is available in the JEDEC standard 28-pin, 300-mil SOJ and the 450-mil TSOP (Type I) packages.

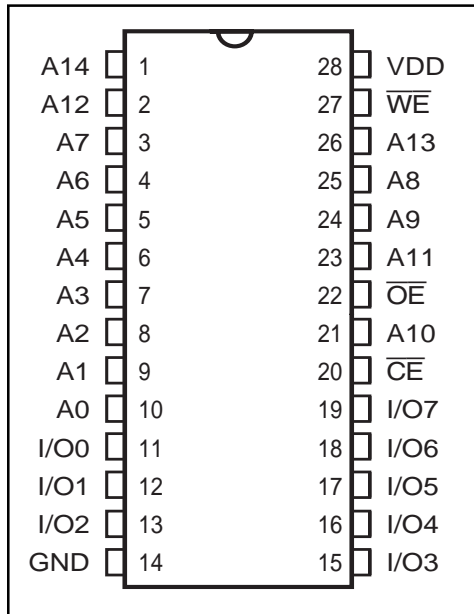
### FUNCTIONAL BLOCK DIAGRAM



Copyright © 2005 Integrated Silicon Solution, Inc. All rights reserved. ISSI reserves the right to make changes to this specification and its products at any time without notice. ISSI assumes no liability arising out of the application or use of any information, products or services described herein. Customers are advised to obtain the latest version of this device specification before relying on any published information and before placing orders for products.

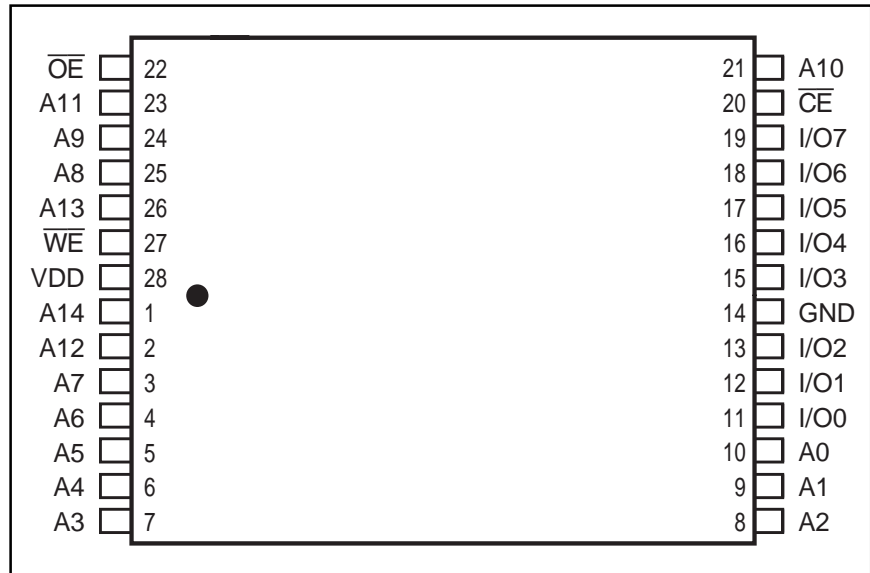
## PIN CONFIGURATION

### 28-Pin SOJ



## PIN CONFIGURATION

### 28-Pin TSOP (Type I)



## PIN DESCRIPTIONS

A0-A14	Address Inputs
$\overline{CE}$	Chip Enable Input
$\overline{OE}$	Output Enable Input
$\overline{WE}$	Write Enable Input
I/O0-I/O7	Input/Output
V <sub>DD</sub>	Power
GND	Ground

## TRUTH TABLE

Mode	$\overline{WE}$	$\overline{CE}$	$\overline{OE}$	I/O Operation	V <sub>DD</sub> Current
Not Selected (Power-down)	X	H	X	High-Z	I <sub>SB1</sub> , I <sub>SB2</sub>
Output Disabled	H	L	H	High-Z	I <sub>CC</sub>
Read	H	L	L	D <sub>OUT</sub>	I <sub>CC</sub>
Write	L	L	X	D <sub>IN</sub>	I <sub>CC</sub>

## ABSOLUTE MAXIMUM RATINGS<sup>(1)</sup>

Symbol	Parameter	Value	Unit
V <sub>DD</sub>	Power Supply Voltage Relative to GND	-0.5 to +4.6	V
V <sub>TERM</sub>	Terminal Voltage with Respect to GND	-0.5 to +4.6	V
T <sub>STG</sub>	Storage Temperature	-65 to +150	°C
P <sub>D</sub>	Power Dissipation	1	W
I <sub>OUT</sub>	DC Output Current	±20	mA

### Notes:

1. Stress greater than those listed under ABSOLUTE MAXIMUM RATINGS may cause permanent damage to the device. This is a stress rating only and functional operation of the device at these or any other conditions above those indicated in the operational sections of this specification is not implied. Exposure to absolute maximum rating conditions for extended periods may affect reliability.

## OPERATING RANGE

Range	Ambient Temperature	Speed (ns)	V <sub>DD</sub>
Commercial	0°C to +70°C	8,10,12	3.3V, +10%, -5%
		15	3.3V ± 10%
Industrial	-40°C to +85°C	10,12	3.3V + 10%, -5%

## DC ELECTRICAL CHARACTERISTICS (Over Operating Range)

Symbol	Parameter	Test Conditions	Min.	Max.	Unit	
V <sub>OH</sub>	Output HIGH Voltage	V <sub>DD</sub> = Min., I <sub>OH</sub> = -2.0 mA	2.4	—	V	
V <sub>OL</sub>	Output LOW Voltage	V <sub>DD</sub> = Min., I <sub>OL</sub> = 4.0 mA	—	0.4	V	
V <sub>IH</sub>	Input HIGH Voltage		2.2	V <sub>DD</sub> + 0.3	V	
V <sub>IL</sub>	Input LOW Voltage <sup>(1)</sup>		-0.3	0.8	V	
I <sub>LI</sub>	Input Leakage	GND ≤ V <sub>IN</sub> ≤ V <sub>DD</sub>	Com.	-1	1	μA
			Ind.	-5	5	
I <sub>LO</sub>	Output Leakage	GND ≤ V <sub>OUT</sub> ≤ V <sub>DD</sub> , Outputs Disabled	Com.	-1	1	μA
			Ind.	-5	5	

## Notes:

- V<sub>IL</sub> (min.) = -0.3V (DC); V<sub>IL</sub> (min.) = -2.0V (pulse width ≤ 2.0 ns).  
V<sub>IH</sub> (max.) = V<sub>DD</sub> + 0.5V (DC); V<sub>IH</sub> (max.) = V<sub>DD</sub> + 2.0V (pulse width ≤ 2.0 ns).
- Not more than one output should be shorted at one time. Duration of the short circuit should not exceed 30 seconds.

POWER SUPPLY CHARACTERISTICS<sup>(1)</sup> (Over Operating Range)

Sym.	Parameter	Test Conditions		-8 ns	-10 ns	-12 ns	-15 ns	Unit		
				Min.	Max.	Min.	Max.		Min.	Max.
I <sub>CC</sub>	V <sub>DD</sub> Dynamic Operating Supply Current	V <sub>DD</sub> = Max., $\overline{CE} = V_{IL}$ I <sub>OUT</sub> = 0 mA, f = f <sub>MAX</sub>	Com.	—	120	—	110	—	100	mA
			Ind.	—	—	—	120	—	110	
I <sub>SB1</sub>	TTL Standby Current (TTL Inputs)	V <sub>DD</sub> = Max., V <sub>IN</sub> = V <sub>IH</sub> or V <sub>IL</sub> $\overline{CE} \geq V_{IH}$ , f = 0	Com.	—	15	—	10	—	10	mA
			Ind.	—	—	—	20	—	20	
I <sub>SB2</sub>	CMOS Standby Current (CMOS Inputs)	V <sub>DD</sub> = Max., $\overline{CE} \leq V_{DD} - 0.2V$ , V <sub>IN</sub> ≥ V <sub>DD</sub> - 0.2V, or V <sub>IN</sub> ≤ 0.2V, f = 0	Com.	—	2	—	2	—	2	mA
			Ind.	—	—	—	5	—	5	

## Notes:

- At f = f<sub>MAX</sub>, address and data inputs are cycling at the maximum frequency, f = 0 means no input lines change.

CAPACITANCE<sup>(1,2)</sup>

Symbol	Parameter	Conditions	Max.	Unit
C <sub>IN</sub>	Input Capacitance	V <sub>IN</sub> = 0V	6	pF
C <sub>OUT</sub>	Output Capacitance	V <sub>OUT</sub> = 0V	5	pF

## Notes:

- Tested initially and after any design or process changes that may affect these parameters.
- Test conditions: T<sub>A</sub> = 25°C, f = 1 MHz, V<sub>DD</sub> = 3.3V.

READ CYCLE SWITCHING CHARACTERISTICS<sup>(1)</sup> (Over Operating Range)

Symbol	Parameter	-8 ns		-10 ns		-12 ns		-15 ns		Unit
		Min.	Max.	Min.	Max.	Min.	Max.	Min.	Max.	
t <sub>RC</sub>	Read Cycle Time	8	—	10	—	12	—	15	—	ns
t <sub>AA</sub>	Address Access Time	—	8	—	10	—	12	—	15	ns
t <sub>OH</sub>	Output Hold Time	2	—	2	—	2	—	2	—	ns
t <sub>ACE</sub>	$\overline{\text{CE}}$ Access Time	—	8	—	10	—	12	—	15	ns
t <sub>DOE</sub>	$\overline{\text{OE}}$ Access Time	—	4	—	5	—	6	—	7	ns
t <sub>LZOE</sub> <sup>(2)</sup>	$\overline{\text{OE}}$ to Low-Z Output	0	—	0	—	0	—	0	—	ns
t <sub>HZOE</sub> <sup>(2)</sup>	$\overline{\text{OE}}$ to High-Z Output	—	4	—	5	—	5	—	6	ns
t <sub>LZCE</sub> <sup>(2)</sup>	$\overline{\text{CE}}$ to Low-Z Output	3	—	3	—	3	—	3	—	ns
t <sub>HZCE</sub> <sup>(2)</sup>	$\overline{\text{CE}}$ to High-Z Output	—	4	—	5	—	6	—	7	ns
t <sub>PU</sub> <sup>(3)</sup>	$\overline{\text{CE}}$ to Power-Up	0	—	0	—	0	—	0	—	ns
t <sub>PD</sub> <sup>(3)</sup>	$\overline{\text{CE}}$ to Power-Down	—	8	—	10	—	12	—	15	ns

**Notes:**

1. Test conditions assume signal transition times of 3 ns or less, timing reference levels of 1.5V, input pulse levels of 0 to 3.0V and output loading specified in Figure 1.
2. Tested with the load in Figure 2. Transition is measured  $\pm 200$  mV from steady-state voltage. Not 100% tested.
3. Not 100% tested.

## AC TEST CONDITIONS

Parameter	Unit
Input Pulse Level	0V to 3.0V
Input Rise and Fall Times	3 ns
Input and Output Timing and Reference Levels	1.5V
Output Load	See Figures 1 and 2

## AC TEST LOADS

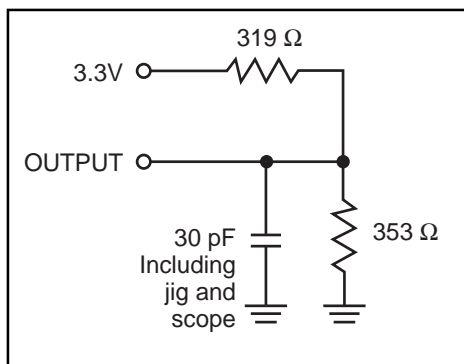


Figure 1.

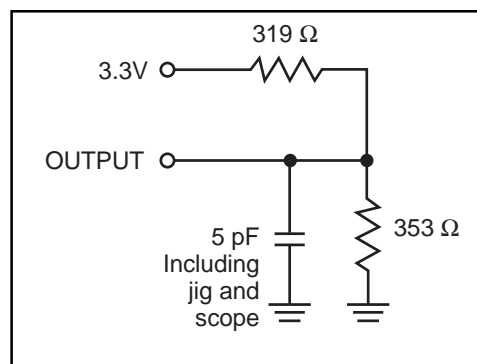
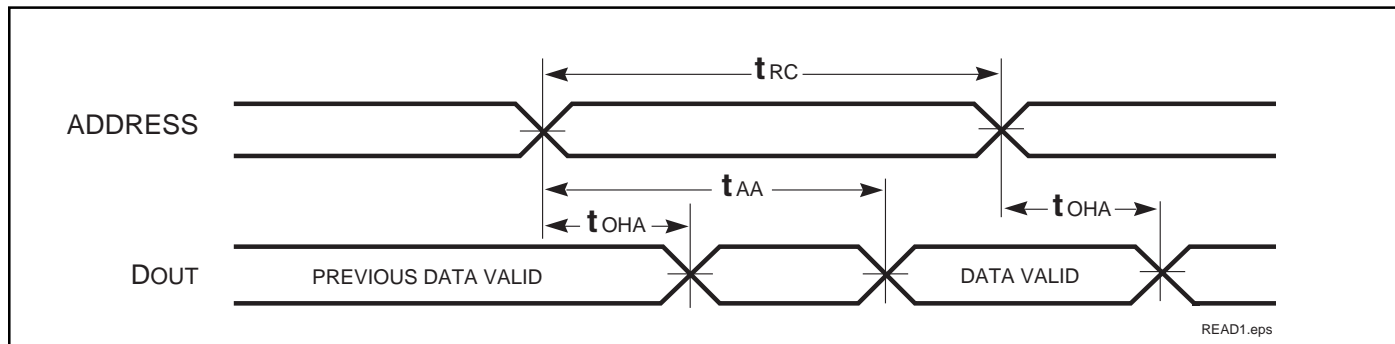


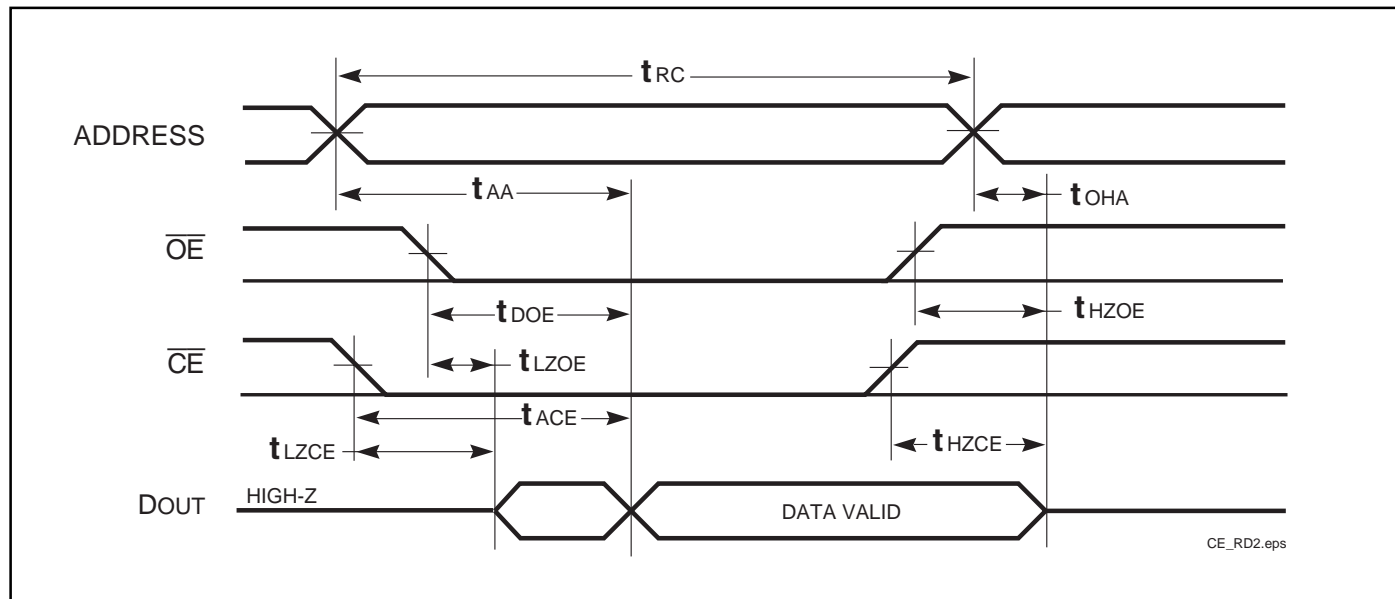
Figure 2.

AC WAVEFORMS

READ CYCLE NO. 1<sup>(1,2)</sup>



READ CYCLE NO. 2<sup>(1,3)</sup>



Notes:

1.  $\overline{WE}$  is HIGH for a Read Cycle.
2. The device is continuously selected.  $\overline{OE}, \overline{CE} = V_{IL}$ .
3. Address is valid prior to or coincident with  $\overline{CE}$  LOW transitions.

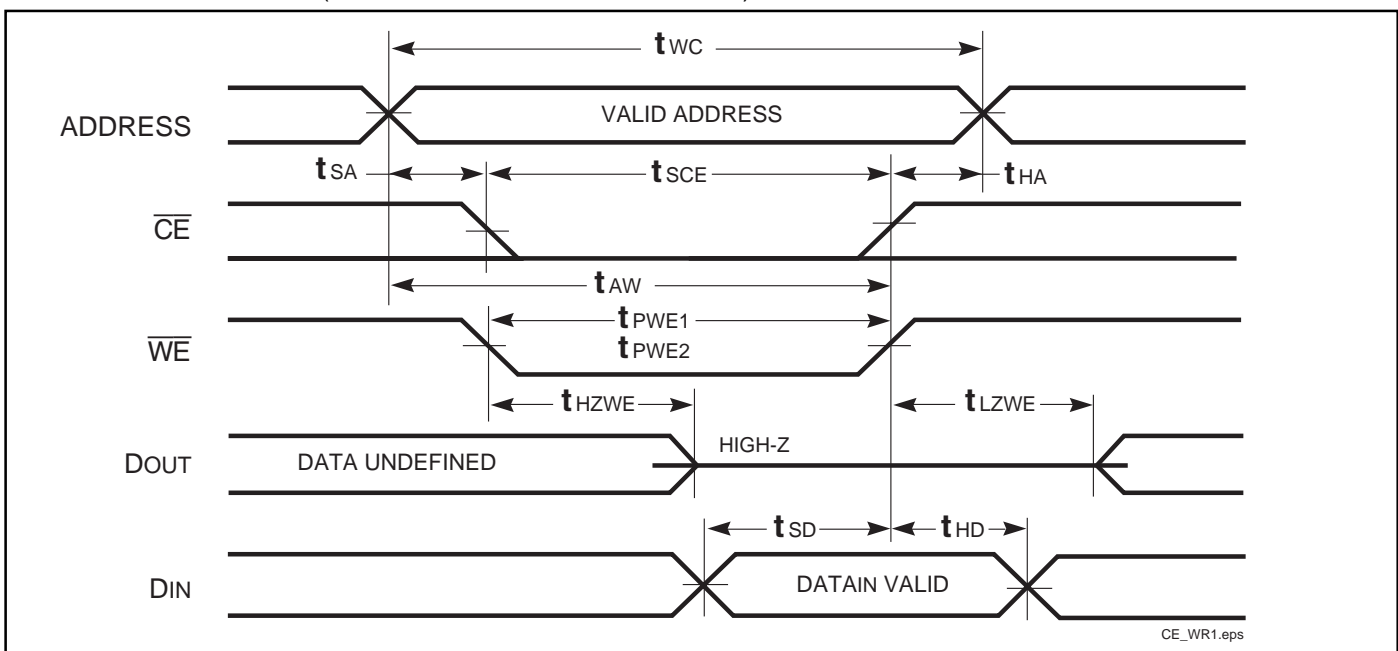
WRITE CYCLE SWITCHING CHARACTERISTICS<sup>(1,2)</sup> (Over Operating Range)

Symbol	Parameter	-8 ns		-10 ns		-12 ns		-15 ns		Unit
		Min.	Max.	Min.	Max.	Min.	Max.	Min.	Max.	
t <sub>WC</sub>	Write Cycle Time	8	—	10	—	12	—	15	—	ns
t <sub>SCE</sub>	$\overline{CE}$ to Write End	6.5	—	8	—	8	—	10	—	ns
t <sub>AW</sub>	Address Setup Time to Write End	6.5	—	8	—	8	—	10	—	ns
t <sub>HA</sub>	Address Hold from Write End	0	—	0	—	0	—	0	—	ns
t <sub>SA</sub>	Address Setup Time	0	—	0	—	0	—	0	—	ns
t <sub>PWE1</sub>	$\overline{WE}$ Pulse Width ( $\overline{OE}$ HIGH)	6.5	—	7	—	8	—	10	—	ns
t <sub>PWE2</sub>	$\overline{WE}$ Pulse Width ( $\overline{OE}$ LOW)	8	—	10	—	12	—	15	—	ns
t <sub>SD</sub>	Data Setup to Write End	5	—	5	—	6	—	7	—	ns
t <sub>HD</sub>	Data Hold from Write End	0	—	0	—	0	—	0	—	ns
t <sub>HZWE</sub> <sup>(3)</sup>	$\overline{WE}$ LOW to High-Z Output	—	3.5	—	4	—	6	—	7	ns
t <sub>LZWE</sub> <sup>(3)</sup>	$\overline{WE}$ HIGH to Low-Z Output	0	—	0	—	0	—	0	—	ns

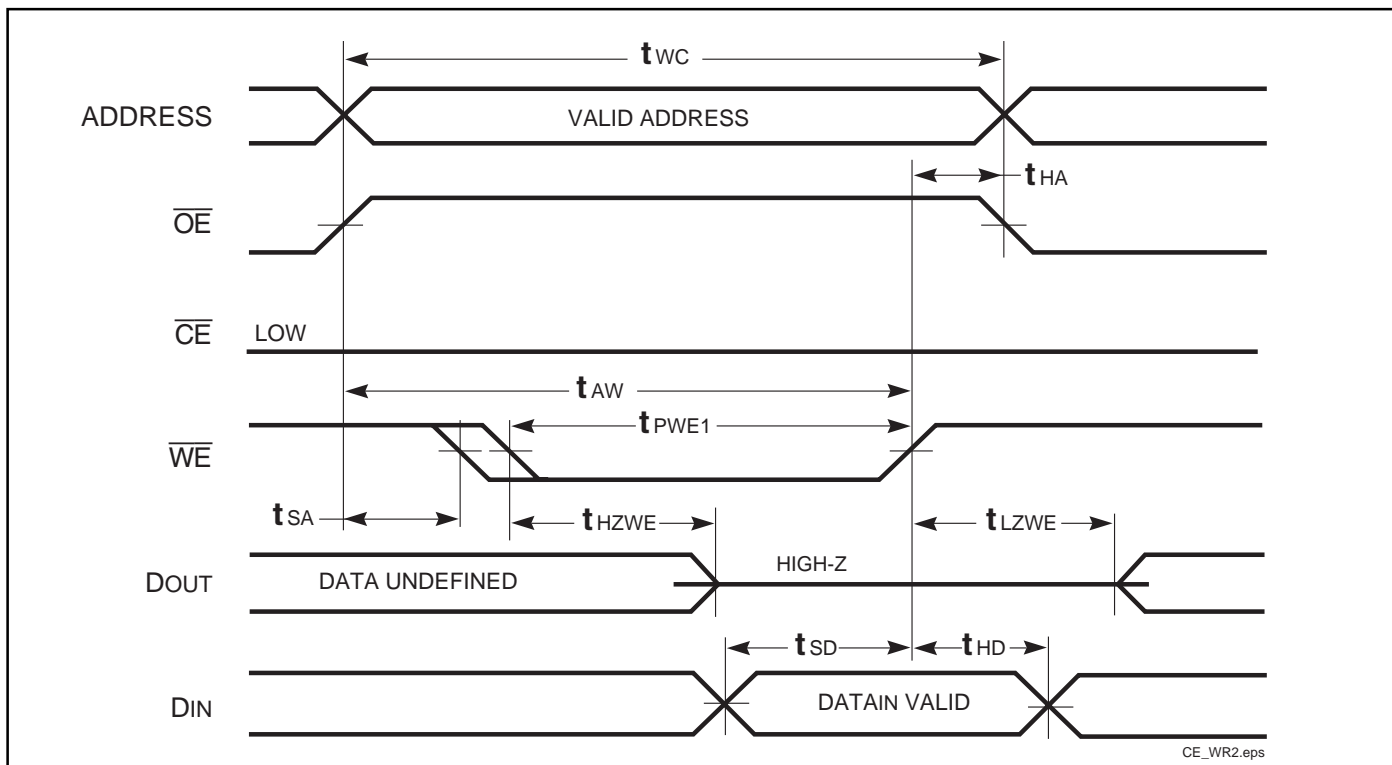
## Notes:

- Test conditions assume signal transition times of 3 ns or less, timing reference levels of 1.5V, input pulse levels of 0 to 3.0V and output loading specified in Figure 1.
- The internal write time is defined by the overlap of  $\overline{CE}$  LOW and  $\overline{WE}$  LOW. All signals must be in valid states to initiate a Write, but any one can go inactive to terminate the Write. The Data Input Setup and Hold timing are referenced to the rising or falling edge of the signal that terminates the Write.
- Tested with the load in Figure 2. Transition is measured  $\pm 500$  mV from steady-state voltage. Not 100% tested.

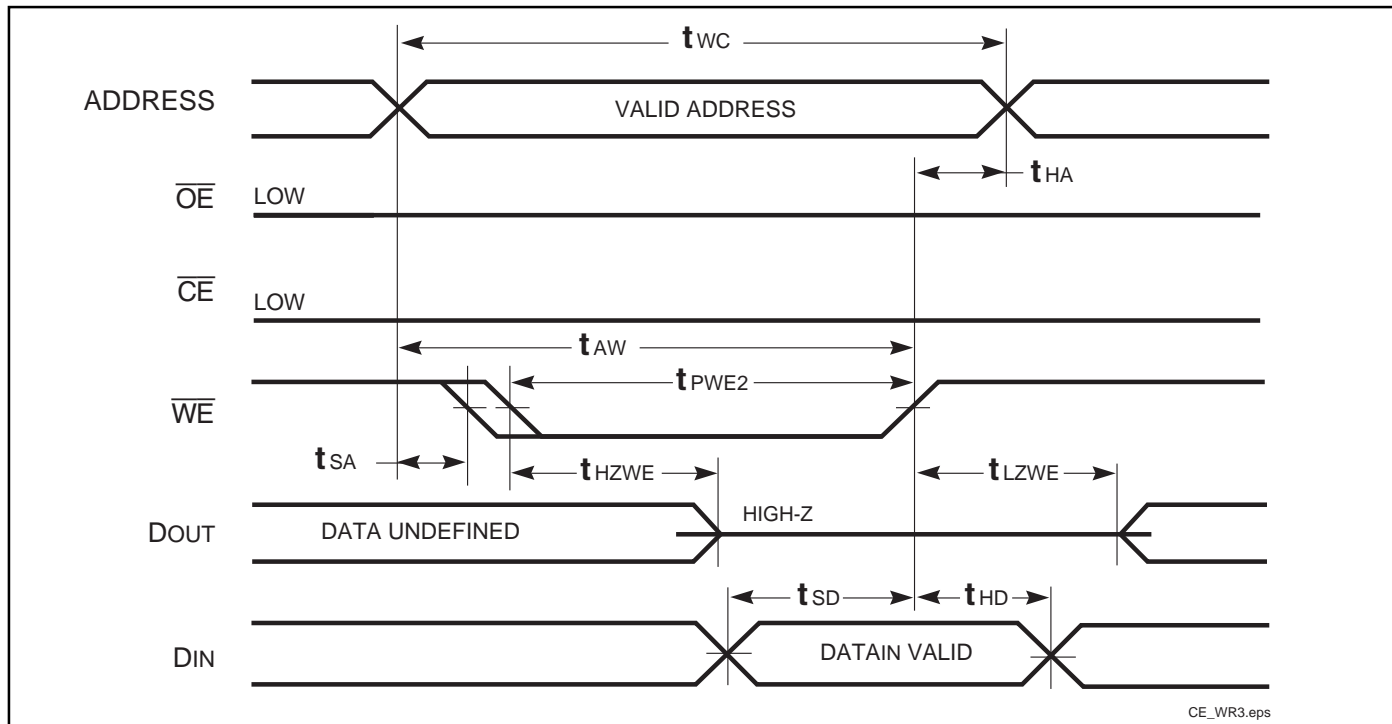
## AC WAVEFORMS

WRITE CYCLE NO. 1 ( $\overline{CE}$  Controlled,  $\overline{OE}$  is HIGH or LOW)<sup>(1)</sup>

**WRITE CYCLE NO. 2** ( $\overline{WE}$  Controlled,  $\overline{OE}$  is HIGH During Write Cycle) <sup>(1,2)</sup>



**WRITE CYCLE NO. 3** ( $\overline{WE}$  Controlled,  $\overline{OE}$  is LOW During Write Cycle) <sup>(1)</sup>



**Notes:**

1. The internal write time is defined by the overlap of  $\overline{CE}$  LOW and  $\overline{WE}$  LOW. All signals must be in valid states to initiate a Write, but any one can go inactive to terminate the Write. The Data Input Setup and Hold timing are referenced to the rising or falling edge of the signal that terminates the Write.
2. I/O will assume the High-Z state if  $\overline{OE} > V_{IH}$ .

**ORDERING INFORMATION****Commercial Range: 0°C to +70°C**

Speed (ns)	Order Part No.	Package
8	IS61LV256-8T	TSOP - Type I
	IS61LV256-8J	300-mil Plastic SOJ
	IS61LV256-8JL	300-mil Plastic SOJ, Lead-free
10	IS61LV256-10T	TSOP - Type I
	IS61LV256-10TL	TSOP - Type I, Lead-free
	IS61LV256-10J	300-mil Plastic SOJ
12	IS61LV256-12T	TSOP - Type I
	IS61LV256-12J	300-mil Plastic SOJ
	IS61LV256-12JL	300-mil Plastic SOJ, Lead free
15	IS61LV256-15T	TSOP - Type I
	IS61LV256-15TL	TSOP - Type I, Lead free
	IS61LV256-15J	300-mil Plastic SOJ
	IS61LV256-15JL	300-mil Plastic SOJ, Lead free

**ORDERING INFORMATION****Industrial Range: -40°C to +85°C**

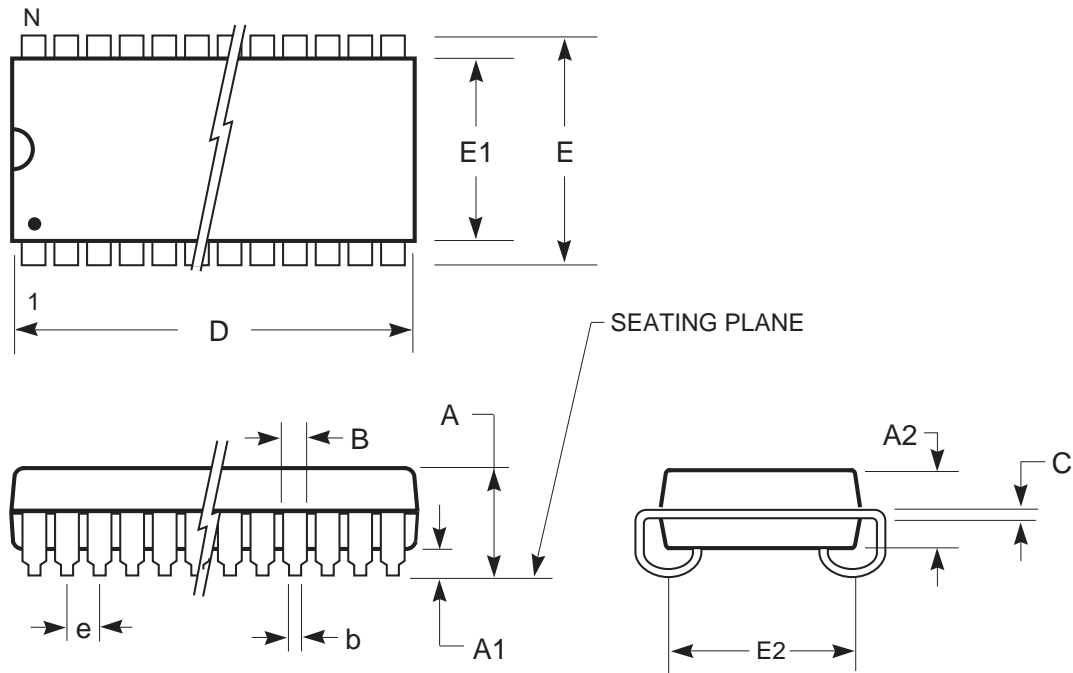
Speed (ns)	Order Part No.	Package
10	IS61LV256-10TI	TSOP - Type I
	IS61LV256-10JI	300-mil Plastic SOJ
12	IS61LV256-12TI	TSOP - Type I
	IS61LV256-12TLI	TSOP - Type I, Lead-free
	IS61LV256-12JI	300-mil Plastic SOJ
	IS61LV256-12JLI	300-mil Plastic SOJ, Lead-free



# PACKAGING INFORMATION

## 300-mil Plastic SOJ

Package Code: J



	MILLIMETERS			INCHES		
Sym.	Min.	Typ.	Max.	Min.	Typ.	Max.
N0. Leads	24/26					
A	—	—	3.56	—	—	0.140
A1	0.64	—	—	0.025	—	—
A2	2.41	—	2.67	0.095	—	0.105
b	0.41	—	0.51	0.016	—	0.020
B	0.66	—	0.81	0.026	—	0.032
C	0.20	—	0.25	0.008	—	0.010
D	17.02	—	17.27	0.670	—	0.680
E	8.26	—	8.76	0.325	—	0.345
E1	7.49	—	7.75	0.295	—	0.305
E2	6.27	—	7.29	0.247	—	0.287
e	1.27 BSC			0.050 BSC		

**Notes:**

1. Controlling dimension: inches, unless otherwise specified.
2. BSC = Basic lead spacing between centers.
3. Dimensions D and E1 do not include mold flash protrusions and should be measured from the bottom of the package.
4. Formed leads shall be planar with respect to one another within 0.004 inches at the seating plane.

# PACKAGING INFORMATION

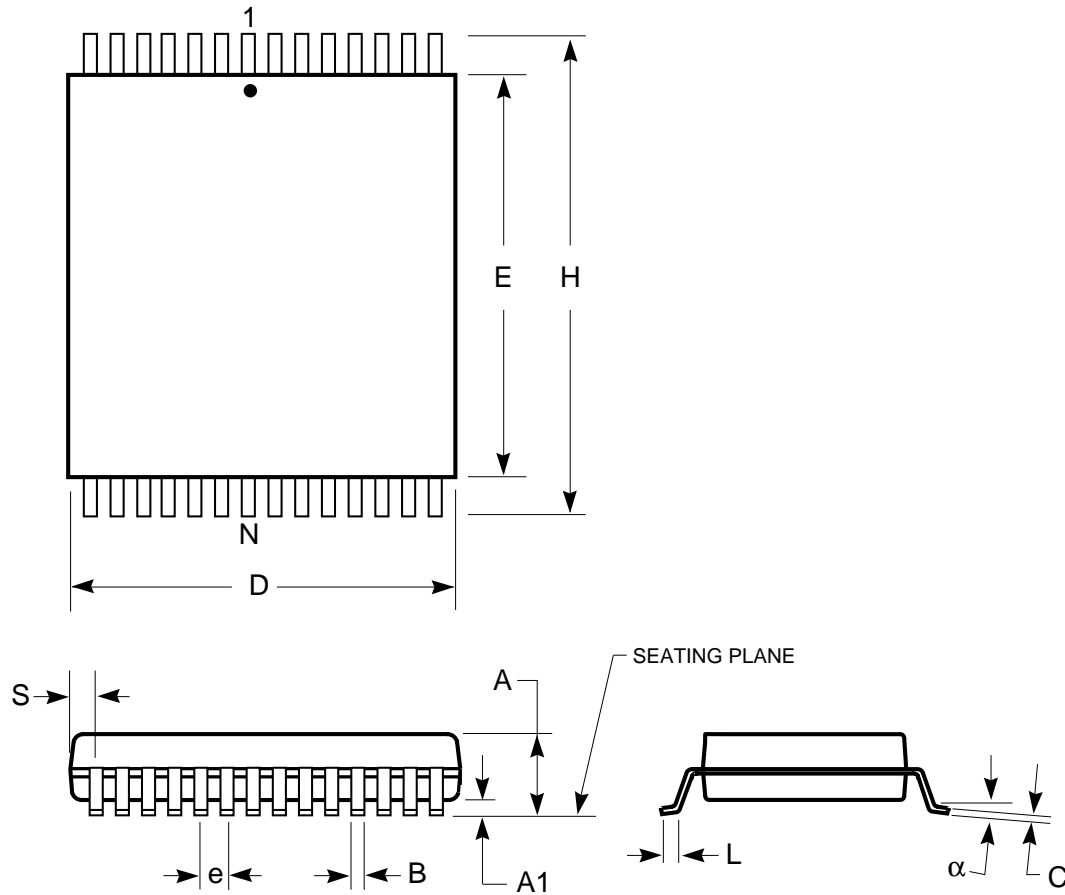


300-mil Plastic SOJ  
Package Code: J

MILLIMETERS				INCHES		
Sym.	Min.	Typ.	Max.	Min.	Typ.	Max.
NO. Leads				28		
A	—	—	3.56	—	—	0.140
A1	0.64	—	—	0.025	—	—
A2	2.41	—	2.67	0.095	—	0.105
b	0.41	—	0.51	0.016	—	0.020
B	0.66	—	0.81	0.026	—	0.032
C	0.20	—	0.25	0.008	—	0.010
D	18.29	—	18.54	0.720	—	0.730
E	8.26	—	8.76	0.325	—	0.345
E1	7.49	—	7.75	0.295	—	0.305
E2	6.27	—	7.29	0.247	—	0.287
e	1.27 BSC			0.050 BSC		

MILLIMETERS				INCHES		
Sym.	Min.	Typ.	Max.	Min.	Typ.	Max.
NO. Leads				32		
A	—	—	3.56	—	—	0.140
A1	0.64	—	—	0.025	—	—
A2	2.41	—	2.67	0.095	—	0.105
b	0.41	—	0.51	0.016	—	0.020
B	0.66	—	0.81	0.026	—	0.032
C	0.20	—	0.25	0.008	—	0.010
D	20.83	—	21.08	0.820	—	0.830
E	8.26	—	8.76	0.325	—	0.345
E1	7.49	—	7.75	0.295	—	0.305
E2	6.27	—	7.29	0.247	—	0.287
e	1.27 BSC			0.050 BSC		

Plastic TSOP - 28-pins  
 Package Code: T (Type I)



Plastic TSOP (T—Type I)				
Symbol	Millimeters		Inches	
	Min	Max	Min	Max
Ref. Std.				
No. Leads	28			
A	1.00	1.20	0.037	0.047
A1	0.05	0.20	0.002	0.008
B	0.16	0.27	0.006	0.011
C	0.10	0.20	0.004	0.008
D	7.90	8.10	0.308	0.316
E	11.70	11.90	0.456	0.465
H	13.20	13.60	0.515	0.531
e	0.55 BSC		0.022 BSC	
L	0.30	0.70	0.011	0.027
α	0°	5°	0°	5°

**Notes:**

1. Controlling dimension: millimeters, unless otherwise specified.
2. BSC = Basic lead spacing between centers.
3. Dimensions D and E do not include mold flash protrusions and should be measured from the bottom of the package.
4. Formed leads shall be planar with respect to one another within 0.004 inches at the seating plane.