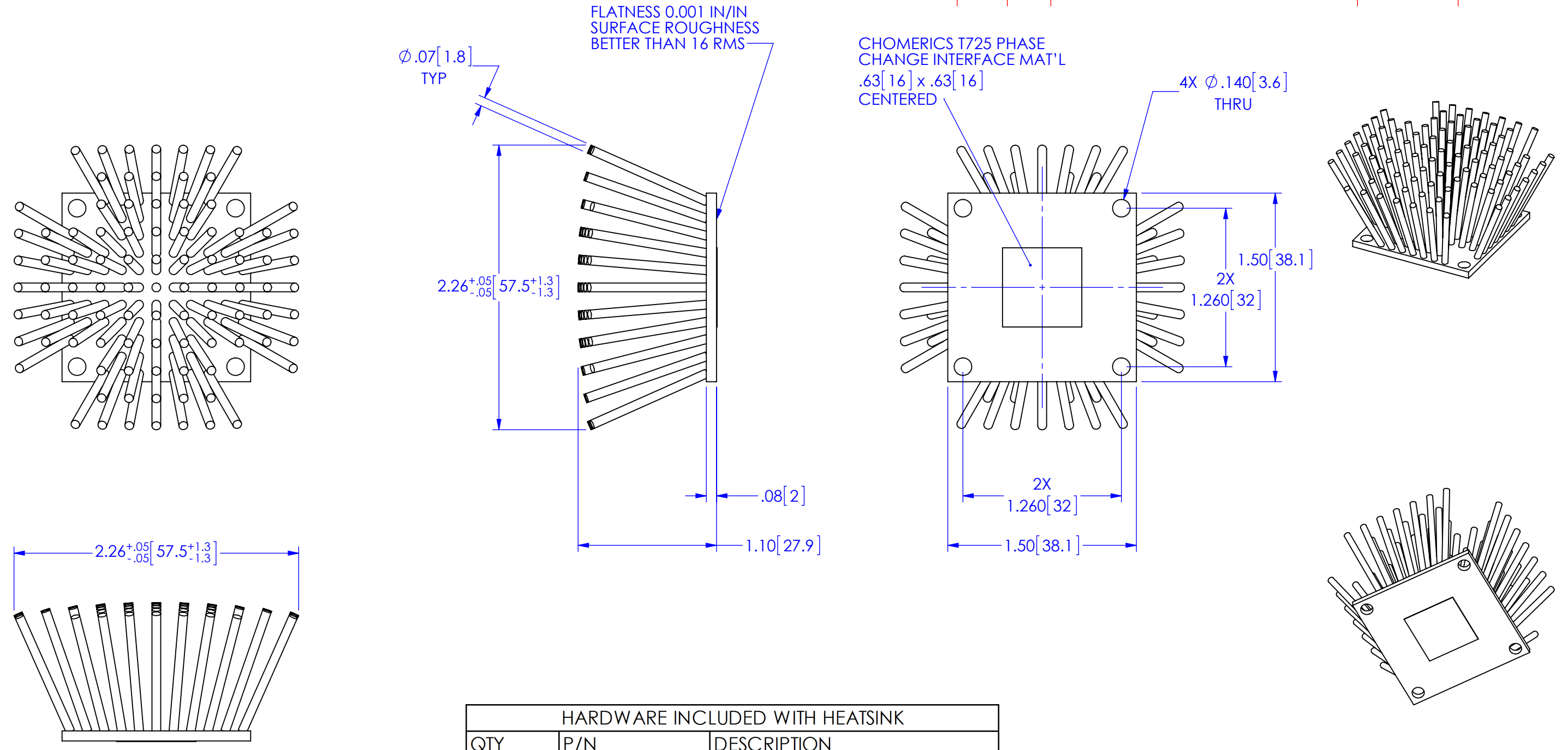


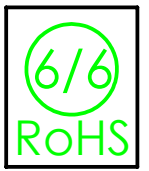
REVISIONS				
ZONE	REV.	DESCRIPTION	DATE	APPROVED



HARDWARE INCLUDED WITH HEATSINK		
QTY	P/N	DESCRIPTION
4	8033-00-9909	PUSH PINS (SEE NOTE 2)

NOTES:

- MATERIAL: ALUMINUM ALLOY 1100
- 4X  $\phi$ .118[3.00] HOLES REQUIRED IN PCB AT LOCATIONS SHOWN. PCB THICKNESS: 0.062[1.6] MAX CHIP HEIGHT: .148[3.76]
- DEBURR SHARP EDGES
- PLATING: BLACK ANODIZE AS PER MIL-A-8625F, TYPE II, CLASS 2
- WEIGHT: TBD



THIS DRAWING INCORPORATES THIRD ANGLE PROJECTION

TOLERANCES ON DIMENSIONS ANGLES

.X	±.050	±0°30'
.XX	±.020	
.XXX	±.005	
.XXXX	±.0005	

- UNLESS OTHERWISE SPECIFIED
- DIMENSIONS ARE IN INCHES
  - FINISH  $\frac{63}{\sqrt{}} ALL OVER$
  - DE-BURR AND BREAK SHARP EDGES
  - ALL THREADS TO BE CLASS 2, PER ANSI B1.13-1979 AFTER FINISHING

APPROVALS		DATE
DRAWN		12/16/2015
CHECKED		
CONTRACT NO.		
ISSUE DATE		

**COOL INNOVATIONS** 141 CIDERMILL AVE., #2  
ADVANCED HEAT SINKS CONCORD, ON, L4K 4G5

TITLE: **3-151511PS73441**

SIZE: <b>B</b>	FSCM NO.	DWG. NO. <b>2973441-00</b>	REV. <b>A</b>
SCALE: <b>NTS</b>	USED ON: -	SHEET: 1 OF 1	

DO NOT SCALE THIS DRAWING