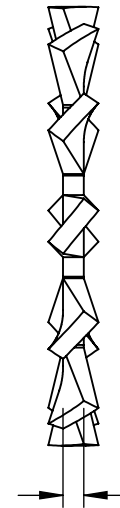
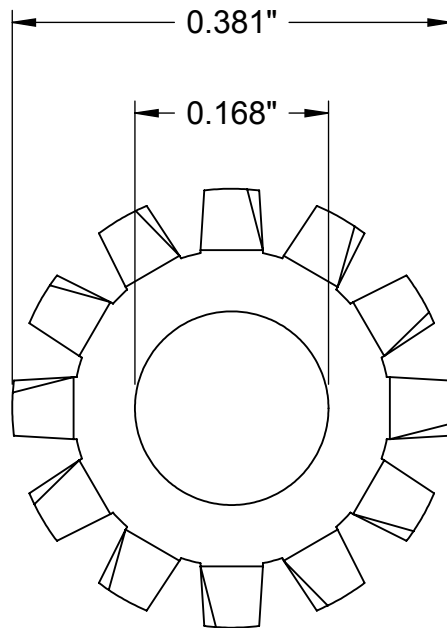
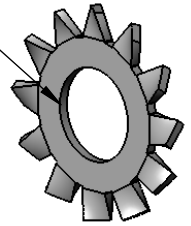


For #8
Screw Size



Washer may vary from
0.018" to 0.023" in thickness.

McMASTER-CARR CAD

PART
NUMBER

95584A203

<http://www.mcmaster.com>
© 2014 McMaster-Carr Supply Company

External-Tooth
Lock Washer

Information in this drawing is provided for reference only.