

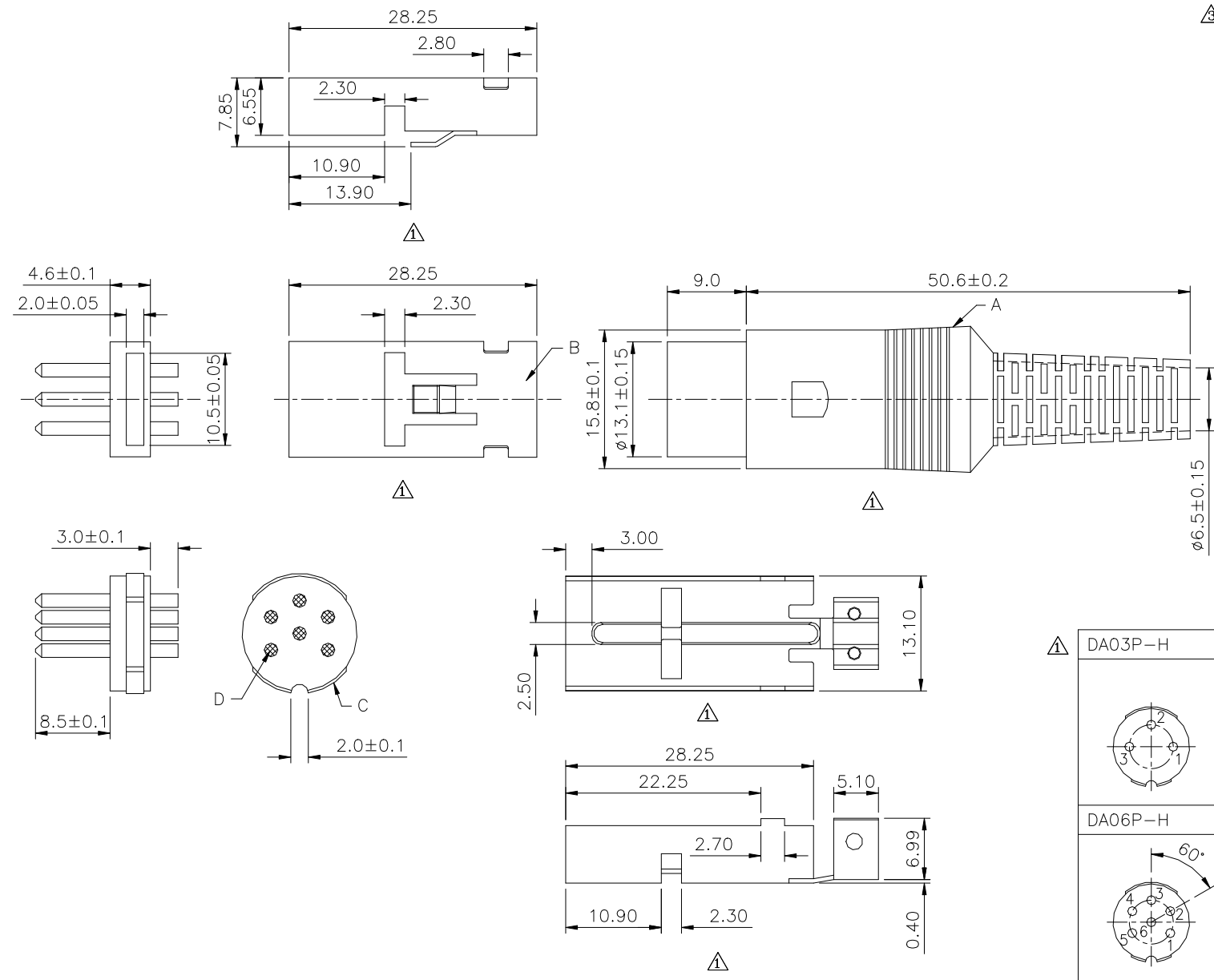
**△△ SPECIFICATION**

Rating:100V AC At 1A Or 12V DC 2A  
 Dielectric Strength:250V AC For 1 Minute  
 Insulation Resistance:100 Megaohms Min.  
 At 500V DC  
 Contact Resistance:20 Milliohms Max.  
 Insertion Force:4.0kg Max.  
 Withdrawal Force:1kg~3.5kg  
 Operation Temperature:-20°C~+85°C  
 Life:1000 Cycles Min. After Testing,Contact Resistance Shall Not Exceed 100 Megaohms

A) Cover:EVA  
 B) Metal Part:Steel,Nickel Plated  
 C) Insulator:PBT  
 D) Pin Contact:Brass,Nickel Plated  
 RoHS Compliant

**△ DA XX P - XXX - H**  
 (1) (2) (3) (4) (5)

- (1) DA: Din Connector Solder Wire Assembly Type
- (2) XX: No. Of Position
- (3) P: Male
- (4) XXX: Special Pin Locking Black: Standard Type 240: 5 Pin 240
- (5) H: RoHS Compliant



△	DA03P-H	DA04P-H	DA05P-H	DA05P-240-H
	DA06P-H	DA07P-H	DA08P-H	

**AUK** A MEMBER OF AUK GROUP  
**太聯事業股份有限公司**  
**AUK CONTRACTORS CO., LTD.**

CATEGORY		APPROVED BY		UNLESS OTHERWISE SPECIFIED TOLERANCES ARE .X ±0.1 .XX ±0.05 ANG.	UNIT mm	NO. REV.	REVISIONS	CHK	DATE				
PART No.	△ DAXXP-XXX-H	MEI								△ B3	Modify Spec.	HZF	04/16/2016
DRAWING No.	△ DAXXP-XXX-H	CYP								△ B2	Add P/N Code	HZF	10/15/2014
SCALE	NONE	REV.	B3							△ B1	Modify P/N: DAXXP --> DAXXP-XXX-H	HZF	10/20/2010
				△ B0	NEW RELEASE	HZF	05/03/2007						