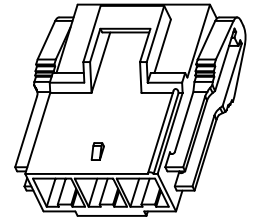


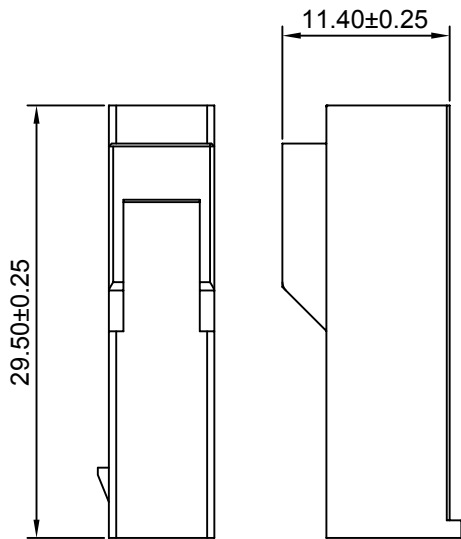
Panel Hole Layout
Thickness: 0.50~2.00mm
2P~4P



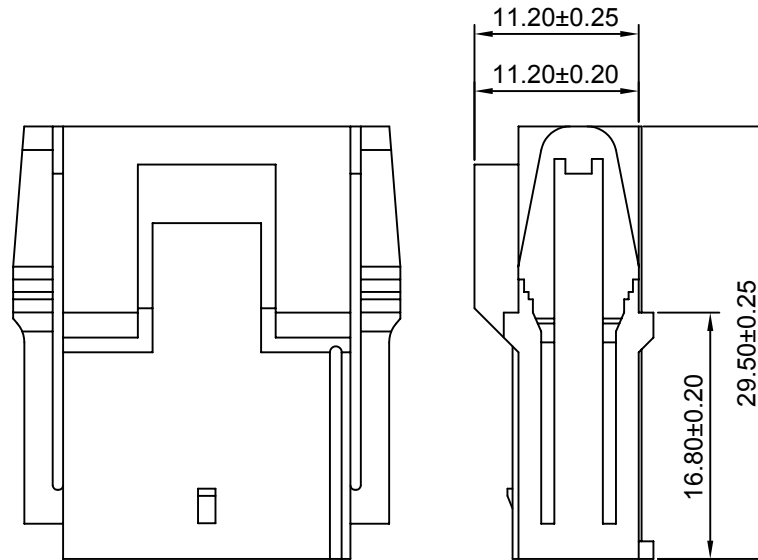
SPECIFICATIONS:
 Current Rating: 20A AC, DC
 Voltage Rating: 600V AC, DC
 Temperature Range: -40°C ~ +105°C
 Contact Resistance: 7mΩ Max.
 Insulation Resistance: 1000MΩ Min.
 Withstanding Voltage: 2000V AC/minute
 Material: Nylon 66, UL94V-0 (White)

Ordering Information & Dimensions

Circuits	Dimensions (mm)		Circuits	Dimensions (mm)	
	A	B		A	B
1P	---	7.20	3P	12.40	19.60
2P	6.20	13.40	4P	18.60	25.80



1P



2P~4P

A1	MODIFY DRAWING	2021.06.23
A0	NEW RELEASE	2015.04.23
REV	DESCRIPTION	DATE

CJTconn

CHANGJIANG CONNECTORS CO., LTD.

Unit	Scale	Sheet
mm	2:1	1 of 1
DRWN	CHK'D	APPR
Dengchun Yi	Diankui Wan	Jack Yin
General Tolerances	THIRD ANGLE PROJECTION	
x.xx±0.25		
x.xxx±0.20		
x.xxxx±0.15		
ANGLES ±1°		

TITLE		DRAWING NO.	REV
6.20mm PITCH HOUSING			
C6201HM-XP		A1	