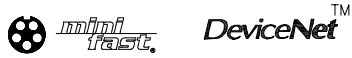
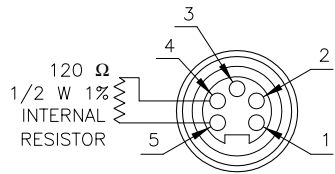
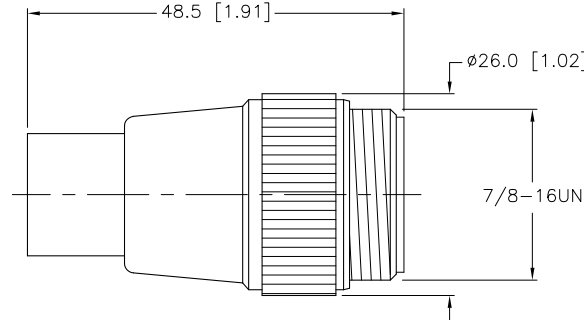


MALE END VIEW



SPECIFICATIONS

MOLDED BODY MATERIAL/COLOR	TPU/BLUE-GRAY
CONTACT CARRIER MATERIAL	TPU/BLUE-GRAY
CONTACT MATERIAL/PLATING	BRASS/GOLD
COUPLING NUT MATERIAL/PLATING	BRASS/NICKEL
RATED VOLTAGE [V]	300 VDC (7.6 VDC MAX. ON PINS WITH RESISTOR)
INTERNAL RESISTOR	120 Ω (1/2 W)
TEMPERATURE RATING	-40°C TO +80°C (-40°F TO +176°F)
PROTECTION CLASS	MEETS NEMA 1,3,4,6P AND IEC IP67



SOURCE DRAWING - FOR REFERENCE ONLY

RELATED DOCUMENTS 1. 2. 3. 4.	3RD ANGLE PROJECTION 	THIS DRAWING IS PROPERTY OF TURCK INC. USE OF THIS DOCUMENT WITHOUT WRITTEN PERMISSION IS PROHIBITED.		TURCK INC High Technology Sensors and Automation Controls 3000 CAMPUS DRIVE MINNEAPOLIS, MN 55441 1-800-544-7769 (763) 553-7300 (763) 553-0708 fax turck.com	
	MATERIAL SEE SPECIFICATIONS	DRFT RWC DATE 10/20/08	DESCRIPTION RSM 57-TR2		
FINISH SEE SPECIFICATIONS	ALL DIMENSIONS DISPLAYED ON THIS DRAWING ARE FOR REFERENCE ONLY CONTACT TURCK FOR MORE INFORMATION	DSGN SCALE 1=1.0	UNIT OF MEASUREMENT MILLIMETER [INCH]		IDENTIFICATION NO. U0102
		DO NOT SCALE THIS DRAWING		REV B	
B	DRAWING PROCESSED AS PART OF ECO 33971	CBM	04/07/11	33971	
REV	DESCRIPTION	BY	DATE	ECO NO.	FILE: U0102 SHEET 1 OF 1