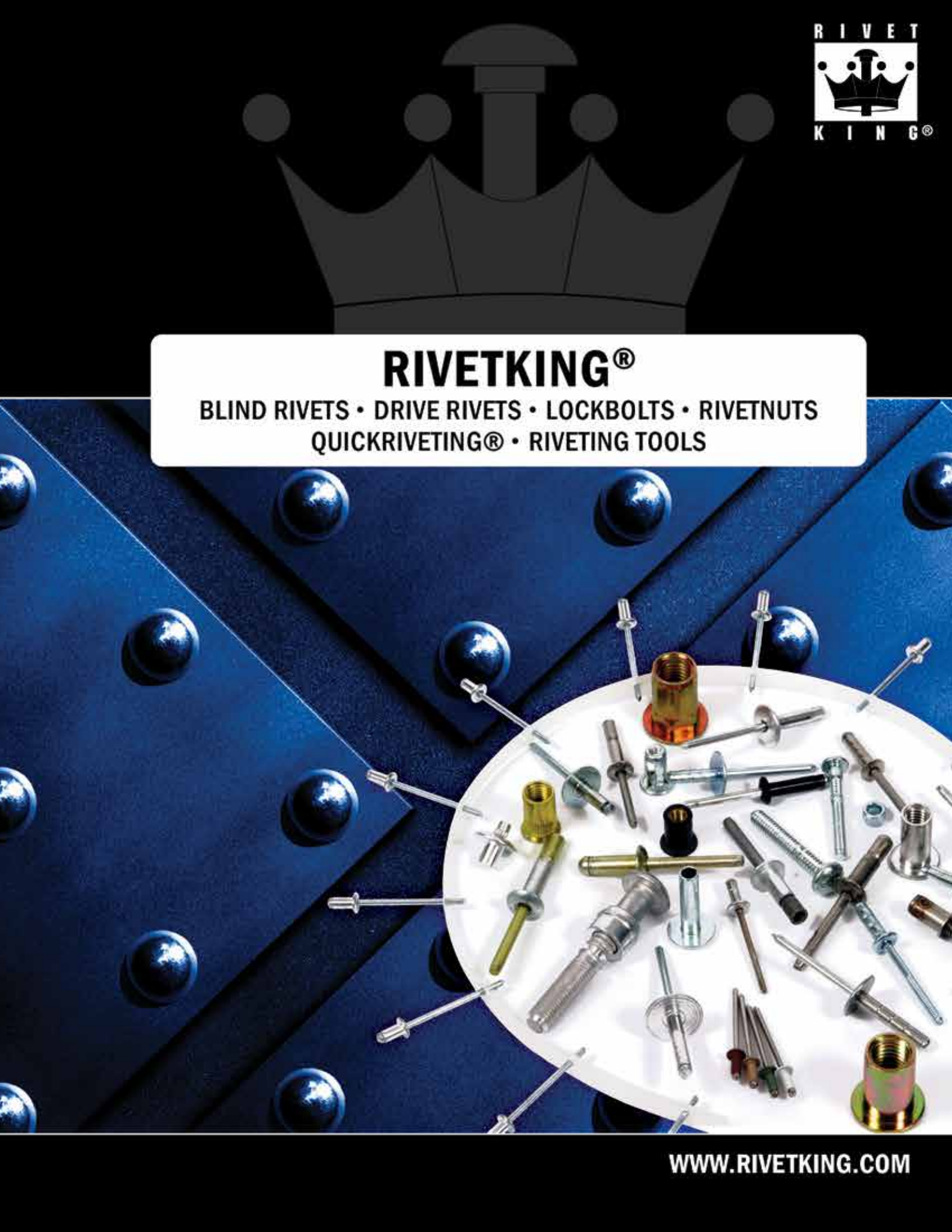




RIVETKING®

**BLIND RIVETS • DRIVE RIVETS • LOCKBOLTS • RIVETNUTS
QUICKRIVETING® • RIVETING TOOLS**



WWW.RIVETKING.COM

RIVETKING® LOCATIONS & TABLE OF CONTENTS



U.S. LOCATIONS

- 1 NORTHVALE, NEW JERSEY
- 2 LOS ANGELES, CALIFORNIA
- 3 BRISTOL, CONNECTICUT
- 4 DENVER, COLORADO
- 5 KANSAS CITY, MISSOURI
- 6 EL PASO, TEXAS
- 7 GRAND PRAIRIE, TEXAS
- 8 SALT LAKE CITY, UTAH
- 9 CHICAGO, ILLINOIS
- 10 BURLINGTON, N. CAROLINA

INTERNATIONAL LOCATIONS

- 11 ONTARIO, CANADA
- 12 JUAREZ, MEXICO
- 13 MADRID, SPAIN
- 14 TAINAN, TAIWAN
- 15 NEUMARKT, GERMANY
- 16 SHANGHAI, CHINA
- 17 MILTON KEYNES, UNITED KINGDOM
- 18 SYDNEY, AUSTRALIA

STOCK IS AVAILABLE FOR SAME DAY SHIPMENT FROM ANY ONE OF OUR MANY LOCATIONS. SALES REPRESENTATIVES AND TECHNICAL SUPPORT STAFF ARE AVAILABLE TO OUR CUSTOMERS NATIONWIDE.

CONTACT

TO ORDER OUR PRODUCTS, OR IF YOU HAVE ANY QUESTIONS, PLEASE CONTACT OUR CUSTOMER SERVICE TEAM.

PHONE: 1.800.BUY.RIVET (1.800.289.7483)
 FAX: 201.750.1050
 WEBSITE: WWW.RIVET.COM



RIVETKING® TIMELINE.....	04
RIVETKING® QUALITY SERVICES.....	05
PERFORMANCE TESTING CAPABILITIES	

TOOLS

BLIND RIVET HAND TOOLS.....	06
PNEUDRAULIC & ELECTRIC	
BLIND RIVET TOOLS - POW.....	07
PNEUMATIC & PNEUDRAULIC	
RIVETNUT TOOLS.....	08
AUTOMATION.....	09
KINGSET™.....	10-11
COLLAR BOLT TOOLS AND TOOL KITS.....	12
RIVETNUT TOOLS.....	13
PNEUMATIC & PNEUDRAULIC	

STANDARD BLIND RIVETS

RIVET IDENTIFICATION GUIDE.....	14
RIVETKING® PRODUCT OVERVIEW.....	15-16
RIVETKING® GUIDE TO SELECTING RIVETS.....	18
ABA SERIES.....	19
ALL ALUMINUM RIVETS • OPEN END	
ABS SERIES.....	20
ALUMINUM/STEEL RIVETS • OPEN END	
SBS SERIES.....	21
ALL STEEL BLIND RIVETS • OPEN END	
FBS SERIES.....	22
STAINLESS/STEEL RIVETS • OPEN END	
FBF SERIES.....	23
ALL STAINLESS RIVETS • OPEN END	
BACK UP WASHERS.....	24
CBB & CBS SERIES.....	25
COPPER/BRASS AND COPPER/STEEL	
ABA-CE SERIES.....	26
ALL ALUMINUM RIVETS • CLOSED END	
ABS-CE SERIES.....	27
ALUMINUM/ STEEL • CLOSED END	
SBS-CE SERIES.....	28
ALL STEEL • CLOSED END	
FBF-CE SERIES.....	29
ALL STAINLESS • CLOSED END	

SPECIAL BLIND RIVETS

MULTIGRIP ABS-RT™ SERIES.....	30
“RING STYLE” • MULTIGRIP-RT™	
MULTIGRIP ABA-RT™ SERIES.....	31
“RING STYLE” • MULTIGRIP-RT™	
MULTIGRIP ABS-CT™ SERIES.....	32
“CRIMP STYLE” • MULTIGRIP-CT™	



RIVETKING® TABLE OF CONTENTS

MULTIGRIP SBS-CT™ SERIES 33	IRL SERIES™ 59
“CRIMP STYLE” • MULTIGRIP-CT™	ROUND BODY (SMOOTH), LARGE HEAD, AMERICAN STANDARD
QUICKSNAP® 33	IRR SERIES™ 60
RKQ® 34	ROUND BODY (SMOOTH), REDUCED HEAD, FOR STANDARD DRILL HOLE SIZES
SELF PLUGGING BLIND RIVET	QUADRAFOLD - IPB/IPN SERIES™ 61
RIVEX® 35	PRE-BULBED AND STRAIGHT SHANK FOR PLASTICS AND THIN SHEETS
HIGH STRENGTH ALL STEEL MULTIGRIP™	JK SERIES™ 62
RIVINOX® 36	STAMPED NUTS, FOR PLASTICS AND THIN SHEETS
STAINLESS STEEL • HIGH SHEAR • REAR FLANGE RIVET	RUBBER NUTS, JF SERIES™ 63
RIVIBULB® 36	NEOPRENE AND EPDM INSERTS
ALL STEEL • HIGH SHEAR • REAR FLANGE RIVET	ISR SERIES™ 64
CHECKMATE® 37	SWAGING SERIES, STRAIGHT KNURL, AMERICAN STANDARD
2 PIECE RIVET • MALE/FEMALE	ISN SERIES™ 64
TRIFIX® 38	SWAGING SERIES, DIAMOND KNURL (FOR PLASTICS), U.S. STANDARD
ALUMINUM TRI FOLDING RIVET	IHF SERIES™ 65
SUPER TRIFIX® 39	HEX BODY, LOW PROFILE HEAD, AMERICAN STANDARD
ALUMINUM STRUCTURAL TRI FOLDING RIVET	EXPENDABLE (THROW AWAY) 66
GROOVED RIVETS™ 39	RIVET NUT INSTALLATION TOOL
PLASTIC TRIFIX® 40	NKL SERIES™ 67
PLASTIC TRI FOLDING RIVET	ROUND BODY, LARGE HEAD, EURO STANDARD
PLR™ PEEL RIVET 41	NKR SERIES™ 68
ALUMINUM/ STEEL	ROUND BODY, REDUCED HEAD, EURO STANDARD
LONG LENGTH RIVET 42	NKC SERIES™ 69
ALUMINUM/ STEEL LONG LENGTH BLIND RIVETS DOME HEAD	COUNTERSUNK HEAD
STRUCTURAL BLIND RIVETS	
STEMLOCK® 43	NSL SERIES™ 70
STRUCTURAL BLIND RIVETS • STEEL / ALUMINUM	SERRATED LARGE HEAD, SMOOTH BODY, EURO STANDARD
TIGERBOLT® 44	NHL SERIES™ 71
STRUCTURAL BLIND RIVET S • EXTERNAL LOCKING	FULL HEX BODY, LARGE HEAD, EURO STANDARD
IN-LOCK® 45	NHR SERIES™ 72
STRUCTURAL BLIND RIVET S • INTERNAL LOCKING	FULL HEX BODY, REDUCED HEAD, EURO STANDARD
RIVBOLT™ 46	CROSS REFERENCE GUIDES 73-74
STEEL / STEEL	
COLLARBOLT™ MULTI-GRIP LOCKBOLT 47	QUICKRIVETING SYSTEM®
COLLARBOLT™ FIXED GRIP LOCKBOLT 48-49	WHAT IS QUICKRIVETING? 76
	RIVETKING® RK-753™ ASSEMBLY TOOL 77
	ZIPRIV® 78
	ZIPSHO® 79
	ZIPSCREW® 80
	MANDREL & SPRING CONSUMABLES 81
	NOSE JAW SELECTION 82
	FASTENER & TOOLING SELECTION 83
	SET-UP & ASSEMBLY PROCESS 84
	CROSS REFERENCE GUIDES 85-87
DRIVE RIVETS	
DRIVE RIVETS 50	
LARGE DIAMETER DRIVE RIVET 51	
TRAILER LINER DRIVE RIVET 52	
RIVETNUTS	
RIVETNUT PICTORIAL CONTENTS 54	
RIVETNUT PRODUCT OVERVIEW 55	
RIVETNUT DESIGN CONSIDERATIONS 56	
IKF SERIES® 57	
ROUND BODY (KNURLED), LOW PROFILE HEAD, AMERICAN STANDARD	
IKR SERIES® 58	
ROUND BODY (KNURLED), REDUCED HEAD, AMERICAN STANDARD	

RIVETKING® TIMELINE

Founded in 1912, Industrial Rivet & Fastener Company has grown from a primarily local operation with four employees to a global distributor, manufacturer and importer with eight international locations, 10 U.S. distribution centers and 48 employees serving customers both around the corner and across the globe.

1912

Established in NYC as a supplier to NY Port Authority for bridges, representing Bethlehem Steel in the NYC area



▶ **1914**

Began carrying stock to support demand

1944 ◀

Developed specialty fasteners to support war efforts



1930

Expanded product line to smaller diameter products

1950 ◀

First documented evidence that IRFCO became known and named by its customers as the "RivetKing"



1962

Sales and marketing developed the RivetKing brand into an entire product line

1968 ◀

General Rivet Manufacturing opened for business and would ultimately be purchased by IRFCO in 1992. General Rivet manufactured solid and semitubular rivets and developed a semitubular product line for small electronics.



1975

Established IRF Taiwan as manufacturing arm for production

1998

Moved corporate headquarters to Northvale, NJ combining manufacturing and distribution functions. Became ISO9001



▶ **2000**

Expanded product line to include blind rivets and blind threaded inserts. Established warehousing in Mexico

2009

IRF Germany opened



▶ **2005**

10 new domestic warehouses opened in Texas, California, Kansas City, Canada, Denver, Salt Lake City, and Chicago

2010

Developed the database logging and live retrieval of force testing, dimensional inspection and salt spray testing data



▶ **2008**

Significant technology upgrade to conform to ISO 17025 in quality control and engineering, including purchase of salt spray, force, and micro hardness testing equipment. All quality systems conform to ISO/TS 16949 and ISO17025

2011

IRF Japan and IRF Australia opened



▶ **2012**

100 Year Anniversary
Launch of Green Initiative



RIVETKING® QUALITY SERVICES

PERFORMANCE TESTING CAPABILITIES

RivetKing® products are quality tested on state of the art inspection equipment. Our capabilities include Salt Spray Testing, Shear Testing, Tensile Testing, Pushout Testing, Mandrel Retention Testing and Lock Strength Testing. Data is gathered across production lots and retained on file for 3 years. Graphic representations of performance are available and provided upon request. Product/Lot/Competitor comparisons are performed regularly.

FORCE TESTING

When needed, we can measure a rivets performance with our MTM, a machine used to detect force. The resulting curve plots load force needed to set or break a rivet. This fingerprint allows us to more exactly determine the holding power of the riveted assembly and/or further evaluate its performance. We can detect small differences in performance and its results go directly to R & D to further improve the performance of our product, and yours.

SALT FOG TESTING

On a regular basis we check all spec finishes with our advanced salt spray testing equipment. Nationally rated and quality certified, we provide test results to measure the effectiveness of our finishes, before and after riveting as necessary. Temperatures are controlled and monitored 24 hours a day, 365 days a year via our windows based control software. Reports are generated regularly for internal use and for customers.



TENSILE TESTING



BREAKLOAD TESTING



SHEAR TESTING



LOCKFORCE TESTING



MANDREL RETENTION TESTING



FORCE TESTING
IFI135 & ISO 14589



SALT SPRAY TESTING
ASTMB117-07A & ISO 9227

WE ARE HERE FOR YOU

Our trained personnel are here to serve our customers. If you have any questions, please call our quality control department or one of our applications engineers. Tap into our capabilities, we're here to serve you.

Industrial Rivet & Fastener Co.
200 Paris Avenue
Northvale, New Jersey 07647
U.S.A.

Tel: (201) 750-1040
Fax: (201) 750-1050
www.rivet.com



RIVETKING® BLIND RIVET HAND TOOLS

TOOLS

RIVETKING® MANUAL BLIND RIVET TOOLS



RK-65 3/16" MAX. NOSEPIECES ONBOARD

RK-65 BLIND RIVETING TOOL

PART NUMBER	DESCRIPTION
RK65	BOX PACKAGING
RK65-A	KIT W/ ALUMINUM RIVETS
RK65-S	KIT W/ STEEL RIVETS
RK65-F	KIT W/ STAINLESS RIVETS



RK-69 3/16" MAX CAPACITY



RK-93 1/4" MAX CAPACITY STRUCTURAL RIVETS



C-6B 3/16" MAX CAPACITY STRUCTURAL RIVETS

RIVETKING® 2 IN 1- BLIND RIVET & RIVET NUT TOOL

WHY BUY TWO TOOLS WHEN YOU ONLY NEED ONE?

This unique tool has the ability to set both blind rivets and rivetnuts. It even has the ability to set 1/4" structural blind rivets and rivetnuts up to 3/8". The changeover from blind rivets to rivet nuts is simple and takes less than 1 minute. It's patented fold away design makes it easy to carry and store. It contains a nose piece for blind rivets and mandrels for rivetnuts in every size and is conveniently stored in the blow molded carry case. Forged Steel arms insure durability while comfort soft touch rubberized grips guarantee comfort.



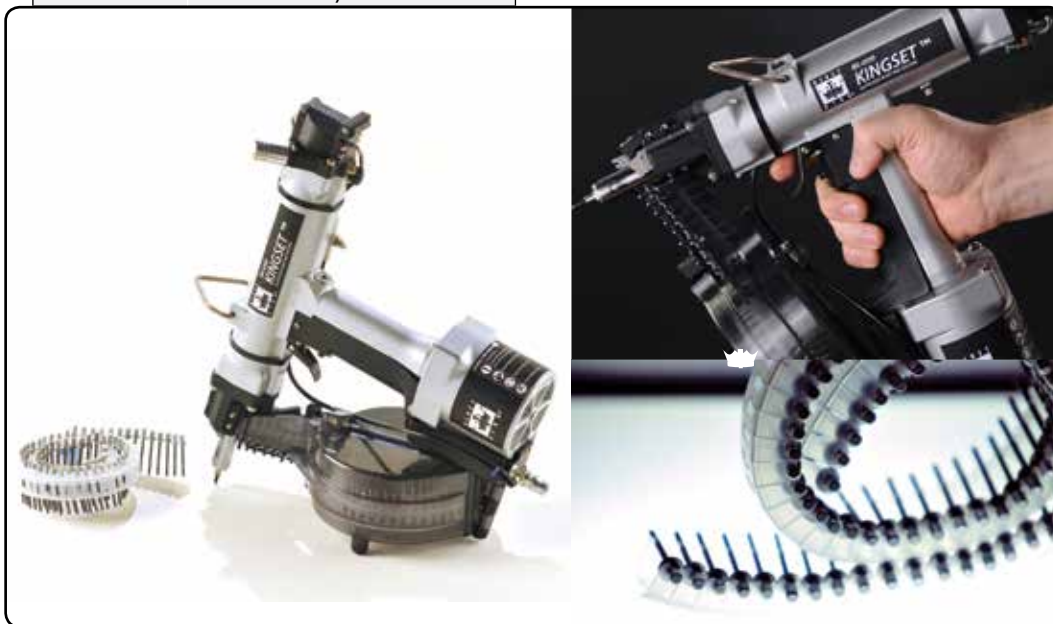
RK-21 BLIND RIVETS = 1/4" & STRUCTURAL RIVET NUTS = 3/8" OR 10MM

KINGSET RIVETING SYSTEM SYSTEMS

Rivets are provided on a continuous feed system. Rivets are factory installed in Polyester film which is fed through the nose of the riveter. Once the rivet is applied the next rivet is fed to the nose. Spent mandrels are drawing into a mandrel catcher located at the rear of the tool. Most standard blind break stem blind rivet can be installed into the Polyester film strips.

AVAILABLE MODELS

RK4500-KS5	1/8" & 5/32"
RK4500-KS6	3/16"



RIVETKING® RIVETS THAT CAN BE INSTALLED INTO POLYESTER FILM STRIPS:

Standard Rivets:

- Open End
- Closed End
- MultiGrip™
- Trifix
- PLR™ Rivet

Semi-Structural Rivets:

- RKQ™
- Rivinox®
- Rivex®
- Rivibulb®
- SuperTriFix™

Structural Rivets:

- In-Lock®



RIVETKING® BLIND RIVET TOOLS • POW

PNEUDRAULIC & ELECTRIC

TOOLS

RK-8000 SERIES RIVETKING® TOOLS

QUICK, LIGHT, ERGONOMIC AND SHOCK RESISTANT.

The RK-8000 Series is the best choice for demanding, high volume production-oriented environments. Triple Jaws, and Vacuum mandrel collection comes standard.

The RK-8000S is perfect for 1/8" diameter rivets, while the RK-8000M is best for 3/16" and 5/32". For extended grip or structural rivet applications, the RK-8000LS is suggested. The RK-8000LS is designed with an extra long stroke to insure that the rivet is applied and mandrel is withdrawn completely from the rivet in almost any grip range.



Power: 1,850 lbsF
Stroke: .787"
Weight: 2.42 lbs

RK-8000S

5/32" MAX.



Power: 2,450 lbsF
Stroke: .787"
Weight: 3.3 lbs

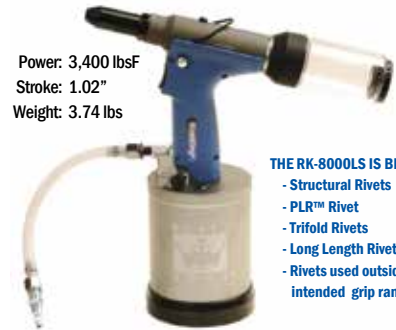
RK-8000M

3/16" MAX. & STRUCTURALS

RIVETKING® LONG STROKE - RK-8000LS

RK-8000LS = LONG STROKE PERFORMANCE!

Extra long stroke, lightweight, ergonomic and shock resistant with triple jaws and vacuum mandrel collection. The RivetKing® RK-8000LS is perfect in long stroke applications such as:



Power: 3,400 lbsF
Stroke: 1.02"
Weight: 3.74 lbs

THE RK-8000LS IS BEST FOR:

- Structural Rivets
- PLR™ Rivet
- Trifold Rivets
- Long Length Rivets
- Rivets used outside the intended grip range

RK-8000LS

1/4" MAX. & STRUCTURALS

BEST



RK-8000-BCS BUCKET COLLECTION SYSTEM

The bucket collection system comes integrated with a high power pneumatic vacuum which is attached via a small hose in place of the mandrel collection cup. It will withdraw spent mandrels up to 10 feet away from the RK-8000 riveter.

RK-400CR BATTERY POWERED CORDLESS RIVET GUN

NEW!

The RK-400CR cordless battery powered riveter is ideal for off-line and outdoor riveting applications where compressed air is not available.

RK-400CR Features:

- 14.4V Lithium battery, cordless electric riveter.
- Sets up to 3/16" rivets in all materials.
- Includes 3 nosepieces for 1/8", 5/32", and 3/16" rivets.
- Compact, lightweight design.
- "Quick Set" trigger mechanism for rapid rivet placement.
- Comes packaged with charger and battery pack in molded plastic carrying case for convenient field use.
- Ideal for off-line and outdoor riveting applications where compressed air is not available.
- Designed with built in mandrel collector.



Capacity: 3/32" (2.4 mm)
3/16" (4.8 mm)
Stroke Length: 0.79" (20 mm)
Traction Power: 1,870 lbs. (850 kg)
Weight with Li-ion: 4.6 lbs. (2.1 kg)
Battery pack:
Battery power: 14.4 V/Li-ion / 3.0 A.h
Charge time: Approximately 60 min.
Tool accepted: Ni-cad / Ni-MH / Li-ion

RK SERIES RIVETKING® ECONOLINE™ TOOLS

BUILT WITH QUALITY AND ECONOMY IN MIND, THE RK SERIES RIVETERS HAVE ENOUGH FORCE TO PULL ANY RIVET. Perfect for DIY market and for situations where abuse or theft is of concern. The RK-6000VS is an ergonomic and lightweight model that has Vacuum Mandrel collection and is a break-away from the traditional design.



Power: 1,980 lbsF
Stroke: .625"
Weight: 3.3 lbs

RK-187

3/16" MAX.



Power: 4,200 lbsF
Stroke: .687"
Weight: 4.3 lbs

RK-250

1/4" MAX. & STRUCTURALS



Power: 2,248 lbsF
Stroke: .669"
Weight: 4.1 lbs

RK-6000VS

ERGONOMIC MODEL



Power: 1,980 lbsF
Stroke: .625"
Weight: 3.3 lbs

RK-INLINE

3/16" MAX.

GOOD

RIVETKING® RIVETNUT TOOLS

TOOLS

RIVETKING® MANUAL BLIND RIVET TOOLS



RK-65 3/16" MAX.
NOSEPIECES ONBOARD

RK-65 BLIND RIVETING TOOL

Part Number	Description
RK65	BOX PACKAGING
RK65-A	KIT W/ ALUMINUM RIVETS
RK65-S	KIT W/ STEEL RIVETS
RK65-F	KIT W/ STAINLESS RIVETS



RK-69 3/16" MAX CAPACITY



RK-93 1/4" MAX CAPACITY
STRUCTURAL RIVETS



C-6B 3/16" MAX CAPACITY
STRUCTURAL RIVETS

RIVETKING® 2 IN 1- BLIND RIVET & RIVET NUT TOOL

WHY BUY TWO TOOLS WHEN YOU ONLY NEED ONE?

This unique tool has the ability to set both blind rivets and rivetnuts. It even has the ability to set 1/4" structural blind rivets and rivetnuts up to 3/8". The changeover from blind rivets to rivet nuts is simple and takes less than 1 minute. It's patented fold away design makes it easy to carry and store. It contains a nose piece for blind rivets and mandrels for rivetnuts in every size and is conveniently stored in the blow molded carry case. Forged Steel arms insure durability while comfort soft touch rubberized grips guarantee comfort.



RK-21 Blind Rivets = 1/4" & Structural Rivet
NUTS = 3/8" OR 10MM

MANUAL RIVETNUT TOOLS



RK-100 1/4-20"
6MM MAX.



RK-100 RIVETNUT TOOLS

Part Number	Description
RK100	BOX PACKAGING
RK100-AK	KIT W/ ALUMINUM RIVETS
RK100-SK	KIT W/ STEEL RIVETS
RK100-3K	KIT W/ STAINLESS RIVETS



RK-21 3/8"
10MM MAX.



CN12
1/4-20" MAX.



CN28B 3/8"
10MM MAX.

CELUS®
MADE IN THE USA
A RIVETKING® BRAND



RIVETKING® AUTOMATION

QUICKRIVETING SYSTEM®

Rivets are provided on magazines called pods with up to 80 rivets on a pod. Pods are easily loaded into a lightweight 3lb riveting handle for installation of up to 1 rivet per second. Rivets are installed by the withdraw of a re-usable mandrel and radially expanding the entire body of the rivet. Because the mandrel is completely withdrawn there is no mandrel waste on the assembly floor. Perfect for electronics applications.

ADDITIONAL ADDED VALUE FEATURES INCLUDE:

- Increased Output
- Reduced Labor
- Minimal Waste
- Improved Ergonomics
- Cost Savings
- Improved Joint Quality and Performance
- Fine Tuning and Flexibility
- Reliability and Consistency



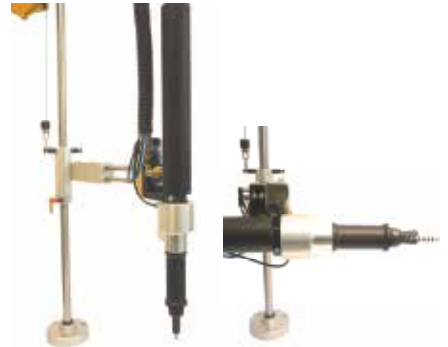
QuickRivets®, ZipRiv®, ZipSho®, ZipScrew®



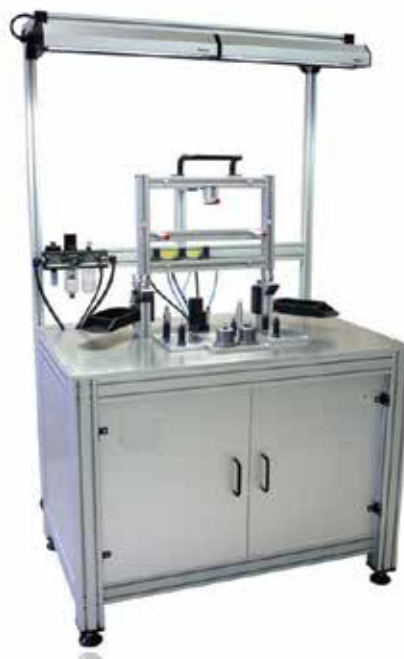
RK-753
STANDARD MODEL



RK-753-I
STANDALONE RIVETING TOOL



RK-753-P3
PANTOGRAPH RIVETING TOOL



RIVETKING® KINGSET™

KINGSET™ – A REVOLUTIONARY RIVET DELIVERY SYSTEM

KINGSET™ IS A SOPHISTICATED HANDHELD RIVETING SYSTEM OFFERING USERS A TRULY UNPRECEDENTED LEVEL OF FUNCTIONALITY.

With auto-feed capabilities – KingSet™ can literally be used to set any type of 1/8", 5/32" and 3/16" breakstem blind rivet pre-loaded on tape. And since KingSet™ has been engineered and designed for different application ranges, it can easily adapt to a variety of manufacturing environments.

The incredible flexibility of our best-in-class rivet delivery system also provides a fast setting operation that includes rapid reload and cycle times. The result is an immediate increase in productivity and significant cost savings with the reduction of in-place installation. For even greater efficiency, an adjustable vacuum system minimizes air consumption based specifically on the size of the rivet being set.

KingSet™ is a fully portable, ergonomically balanced tool that can be suspended either horizontally or vertically. This is combined with a highly engineered, one-touch operation that allows users to set rivets automatically while leaving one hand free to hold work pieces in place. Plus, a built-in Mandrel Collection System (MCS) helps insure work place safety and cleanliness.

Perfect for mid-range to high volume applications, KingSet™ provides a strong, reliable joint while effectively streamlining the assembly of everything from appliances, to automotive products, to electronic chassis, to HVAC and other sheet metal fabrications.



TOOLS

PERSONALIZED SERVICE AND SUPPORT

With eight international locations, ten U.S. distribution centers and nearly fifty employees – RivetKing® is uniquely positioned to deliver a superior and innovative product set backed by exemplary service and unmatched quality. When you choose KingSet™, our Application Engineers will conduct an in-depth evaluation of your operations and make recommendations on how this automated, handheld tool can best work in your environment. In addition, experts are always available by phone or onsite to provide technical support for any product; even another manufacturer's current and past rivet delivery systems.

Simply put, KingSet™ gives you all the reliability you are used to, but with a far greater range of applications with the ability to use our self-feed riveting system with any manufacturer's rivets.



KingSet™ streamlines the assembly of sheet metal fabrications including appliances, automotive products, electronic chassis, outdoor signage, HVAC and more.

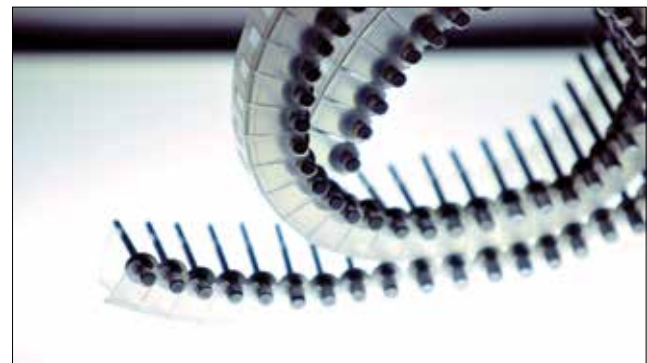


RIVETKING® FOR EVERYTHING YOU NEED

As a world-class manufacturer, distributor and importer – RivetKing® gives you access to the industry's deepest inventory of ready-made rivets. Our extensive knowledge of permanent fasteners and extensive manufacturing network also means we can make custom products in any head style, length, material and finish, including:

- Blind rivets
- Speed rivets
- Rivet nuts
- Solid rivets
- Semi-tubular rivets
- Split rivets
- Shoulder rivets
- Collar rivets
- Drive rivets
- LockBolts

All this is combined with a wide array of innovative rivet delivery systems, including our groundbreaking KingSet™ handheld tool.



RIVETKING® KINGSET™

BENEFITS AT A GLANCE

AUTO-FEED

- Pre-loaded rivets on tape

FAST OPERATION

- Reload time: 8-10 seconds
- Cycle time: 2 seconds

EASY-TO-USE

- One-touch cycle
- Built-in MCS
- Adjustable vacuum

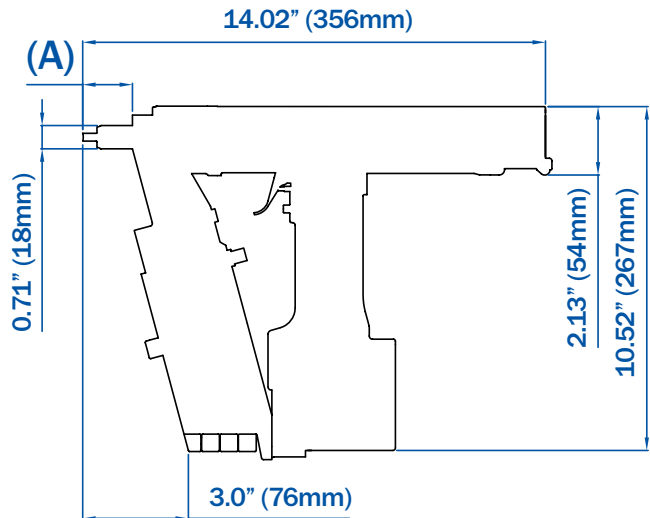
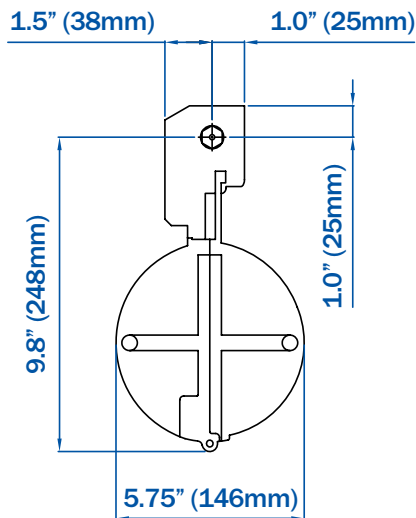
PORTABLE

- One free hand
- Ergonomically weight balanced

RELIABLE

- Three jaw system
- Longer maintenance interval

MODEL	(A) LENGTH
RK4500-KS5	1.33" (34mm)
RK4500-KS6	1.10" (28mm)



RIVETKING®	ABA ALUMINUM/ALUMINUM			ABS ALUMINUM/STEEL			SBS STEEL/STEEL			FBS STEEL/STAINLESS			ABA STAINLESS/STAINLESS		
	1/8"	5/32"	3/16"	1/8"	5/32"	3/16"	1/8"	5/32"	3/16"	1/8"	5/32"	3/16"	1/8"	5/32"	3/16"
	OPEN END	Blue	Blue	Blue	Blue	Blue	Blue	Blue	Blue	Blue	Blue	Blue	Blue	Blue	Blue
CLOSED END	Blue	Blue	Blue	Blue	Blue	Blue	Blue	Blue	Blue	Blue	Blue	Blue	Blue	Blue	Blue
MULTIGRIP CT™	Blue	Blue	Blue	Blue	Blue	Blue	Blue	Blue	Blue	Blue	Blue	Blue	Blue	Blue	Blue
MULTIGRIP RT™	Blue	Blue	Blue	Blue	Blue	Blue	Blue	Blue	Blue	Blue	Blue	Blue	Blue	Blue	Blue
RK-Q®	Blue	Blue	Blue	Blue	Blue	Blue	Blue	Blue	Blue	Blue	Blue	Blue	Blue	Blue	Blue
RIVEX®	Blue	Blue	Blue	Blue	Blue	Blue	Blue	Blue	Blue	Blue	Blue	Blue	Blue	Blue	Blue
RIVIBULB®	Blue	Blue	Blue	Blue	Blue	Blue	Blue	Blue	Blue	Blue	Blue	Blue	Blue	Blue	Blue
RIVINOX®	Blue	Blue	Blue	Blue	Blue	Blue	Blue	Blue	Blue	Blue	Blue	Blue	Blue	Blue	Blue
GENTLESET™	Blue	Blue	Blue	Blue	Blue	Blue	Blue	Blue	Blue	Blue	Blue	Blue	Blue	Blue	Blue
EASY ENTRY	Blue	Blue	Blue	Blue	Blue	Blue	Blue	Blue	Blue	Blue	Blue	Blue	Blue	Blue	Blue
GROOVED RIVETS	Blue	Blue	Blue	Blue	Blue	Blue	Blue	Blue	Blue	Blue	Blue	Blue	Blue	Blue	Blue
PLR RIVETS™	Blue	Blue	Blue	Blue	Blue	Blue	Blue	Blue	Blue	Blue	Blue	Blue	Blue	Blue	Blue
TRIFIX®	Blue	Blue	Blue	Blue	Blue	Blue	Blue	Blue	Blue	Blue	Blue	Blue	Blue	Blue	Blue
INLOCK® STRUCTURAL	Blue	Blue	Blue	Blue	Blue	Blue	Blue	Blue	Blue	Blue	Blue	Blue	Blue	Blue	Blue
TIGERBOLT® STRUCTURAL	Blue	Blue	Blue	Blue	Blue	Blue	Blue	Blue	Blue	Blue	Blue	Blue	Blue	Blue	Blue

Blue: APPROVED FOR USE WITH KINGSET™ (600 MAXIMUM RIVET BODY LENGTH)

Brown: APPLICATION TESTING REQUIRED, SUBJECT TO RIVETKING DESIGN ENGINEERS' APPROVAL

Light Brown: NOT RECOMMENDED FOR USE WITH KINGSET™

Light Blue: NOT APPLICABLE

RIVETKING® COLLAR BOLT TOOLS

TOOLS

COLLAR BOLT INSTALLATION TOOLS



RK-722 1/4" MAX



RK-745 3/8" MAX



RK-756 3/8" MAX

Collar Bolts & Tools for Collar Bolts larger than 3/8" Diameter are available on request.

COLLAR BOLT INSTALLATION KITS

RivetKing® now offers a complete installation kit for 1/4" thru 3/8" NAS Tension and NAS Shear COLLAR BOLTS and 1/4" thru 5/16" Huck and Cherry Blind Bolts.

The RK745/ RK745/KIT contains:

- Collar Bolts straight noses 1/4", 5/16" & 3/8".
- Blind Bolts straight noses 1/4" & 5/16"

All these items are stored in an easy access carrying case with manuals and data sheets.



RK-745/KIT 3/8" MAX

RivetKing® now offers a complete installation kit for 3/16" thru 3/8" MAGNA-GRIP and Maxlok Collar Bolts. The RK756/kit comes with a RK756 installation tool and a set of straight noses.



RK-756/KIT 3/8" MAX

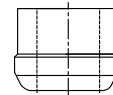
COLLAR BOLTS



COLLAR BOLT™ FIXED GRIP



COLLAR BOLT™ MULTI GRIP



COLLAR



RK-50-SP SERIES · RIVETKING® SPIN-PULL TOOLS

BUILT WITH QUALITY AND ECONOMY IN MIND... THE RK SERIES RIVETERS HAVE ENOUGH FORCE TO PULL ANY RIVET

ECONOMY, VALUE, FUNCTIONALITY

The first spin-pull available for a value. With all the bells and whistles, lightweight, and ergonomic. Mandrels are dog pointed and comes in a unique hard case kit.

The RK-50-SP Series has the capability to pull #8 to 1/2-13 with quick change nose pieces. Stroke adjustment is at the bottom of the tool for convenience. This tool has a 1 button trigger.

THREADED INSERT SELECTION INCLUDED:

Sets: 8-32, 10-24, 10-32, 1/4-20, 5/16-18, 3/8-16

THREADED INSERTS ALSO SOLD SEPARATELY:

Sets: 1/4-28, 5/16-24, 3/8-24, 1/2-13, 1/2-20, M5, M6, M8, M10



Power: 6,565 lbsF
Stroke: .276"
Weight: 5.5 lbs

RK-50-SP 1/2" MAX M12 MAX

RK-LCD SERIES · RIVETKING® INTELLIGENT TOOLS

THE RK-777N AND RK-787N

The first rivet nut tools that have on-board intelligence. This spin-pull riveter can detect and report differences in the air pressure and stroke and can alert the operator if an improper reading is recorded.

Additional information can be recorded and reset such as # of life cycles, # of maintenance cycles and # of shift/job cycles. With this information preventative maintenance can be accurately performed at regular intervals. The LCD is at the left side of the tool. The trigger is 2 button, 2 stage.



NEW! PATENTED!

RIVETKING® REVOLUTION™ LIGHTWEIGHT SPIN-SPIN RIVETNUT TOOLS

RIVETNUT TOOLS, ARE AMONG THE LIGHTEST, ERGONOMIC AND IN THE INDUSTRY.

We have all become accustomed to the heavy, steel and aluminum tools available on the market. NO MORE! Welcome to the world of the patented lightweight comfort design. The 2 stage rocker trigger design is unique and the clamshell housing allows for easy access and repair.

NEW! PATENTED!

1 NOSE PIECE INCLUDED WITH TOOL. OTHERS SOLD SEPERATELY.



AVAILABLE THREAD SIZES FOR THE RK-1500-Q:

- 6/32
- 8/32
- 10/32
- M3
- M4
- M5

RK-1500-Q #10-32 MAX M5 MAX



AVAILABLE THREAD SIZES FOR THE RK-500-Q:

- 1/4-20
- 1/4-28
- 5/16-18
- 5/16-24
- M6
- M8

RK-500-Q 1/4"-20 MAX M8 MAX





AVAILABLE THREAD SIZES FOR THE RK-280:

- 3/8-16
- 1/2-13
- 3/8-24
- M10
- M12

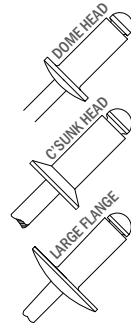
RK-280 1/2"-13 M12 MAX

RIVETKING® RIVET IDENTIFICATION GUIDE

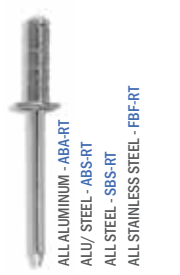

STANDARD BLIND RIVETS

OPEN END	CLOSED END
 <p>ALL ALUMINUM - ABA ALUMINUM / STEEL - ABS</p> <p>ALL STEEL - SBS STAINLESS STEEL / STEEL - FBS</p> <p>ALL STAINLESS - FBF</p> <p>COPPER / BRASS - CBB BRASS - CBB</p> <p>COPPER / STEEL - CBS COPPER PLATED MANDREL</p>	 <p>ALL ALUMINUM - ABA-CE</p> <p>ALU / STEEL - ABS-CE ALL STEEL - SBS-CE</p> <p>ALL STAINLESS - FBF</p>
PAGES 16-21	PAGES 23-26







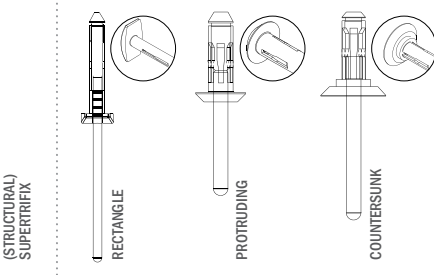
ALL PRODUCTS ARE AVAILABLE IN:








MULTIGRIP™ BLIND RIVETS

MULTIGRIP-RT™	MULTIGRIP-CT™
 <p>ALL ALUMINUM - ABA-RT ALU / STEEL - ABS-RT ALL STEEL - SBS-RT ALL STAINLESS STEEL - FBF-RT</p>	 <p>ALU / STEEL - ABS-RT ALL STEEL - SBS-RT ALL STAINLESS STEEL - FBF-RT</p>
PAGES 27-28	PAGES 29-30

SEMI-STRUCTURAL BLIND RIVETS

RPK®	RIVEX®	RIVINOX®	RIVIBULB®	CHECKMATE® 2PCS	TRI-FIX (TRI-FOLDING) & SUPERTRIFIX™	PLASTIC TRIFIX® RIVETS
 <p>ALL ALUMINUM - ABQ ALL STEEL - SRO ALL STAINLESS - FBQ</p>	 <p>ALL ALUMINUM - SBS-RVX ALL STEEL - ABA-RIX ALL STAINLESS - FBF-RVX</p>	 <p>ALL STAINLESS - FBF-RIVINOX</p>	 <p>ALL STEEL - SBS-RVB</p>	 <p>ALL ALUMINUM - ABACM ALL STEEL - SBS-CM ALUMINUM / STEEL - ABS-CM</p>	 <p>ALL ALUMINUM - ABL</p> <p>PRINTED</p> <p>LARGE FLANGE - ABL-LF16</p> <p>ALL ALUMINUM - ABL-STFX (STRUCTURAL) SUPERTRIFIX</p>	 <p>RECTANGLE</p> <p>PROTRUDING</p> <p>COUNTERSUNK</p>
PAGE 31	PAGE 32	PAGE 33	PAGE 33	PAGE 34	PAGES 35-36	PAGE 53





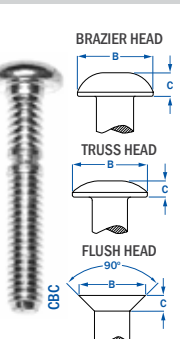
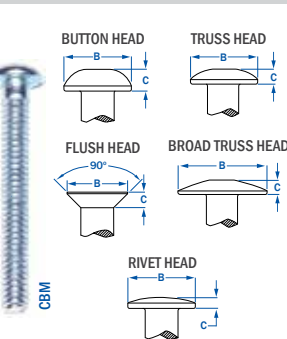

SPECIAL BLIND RIVETS

GROOVED™	PLR™ RIVET	QUICKSNAP®	LONG LENGTH RIVET	DRIVE RIVETS
 <p>ALUMINUM / STEEL - ABS-GROOVED</p>	 <p>ALL STEEL - ABS-PLR</p>	 <p>BRASS, NICKEL PLATED RIVET STAINLESS STEEL MANDREL - BSSH</p>	 <p>ALUMINUM / STEEL - ABS-LONGLENGTH</p>	 <p>ALL MATERIALS - DR</p>
PAGE 36	PAGE 37	PAGE 38	PAGE 39	PAGES 50-52

TRADE NAME CROSS REFERENCE CHART

RIVETKING®	AVDEL®	POP®	HUCK®	MARSON®	GESIPA®
MultiGripCT™	Avex®	Peel	-	MultiGrip™	PolyGrip®
MultiGripRT™	-	-	-	-	-
TriFix™	Bulbex®	LSH®	Tri-Bulb™	-	TriFold
SuperTriFix™	TLR®	-	Magna-Tite™	-	BulbTite®
Checkmate®	Cherrymate™	-	-	-	-
Tigerbolt®	MonoBolt®	-	-	-	-
In-Lock®	Interlock®	-	Magna-lok™	Klik-Lock™	MegaGrip®
StemLock™	Hemlok®	UltraGrip®	Auto-Bulb™	-	-
Rivex®	Stavex®	-	-	-	-
Rivinox®	Avinox®	-	-	-	-
Rivibulb®	AviBulb®	-	-	-	-

STRUCTURAL BLIND RIVETS

TIGERBOLT®	IN-LOCK®	STEMLOCK®	RIVBOLT™	COLLAR BOLT FIXED GRIP	COLLAR BOLT MULTI GRIP	COLLAR
 <p>ALL STEEL - SBS-TB</p> <p>ALL STAINLESS - FBF-TB</p> <p>COUNTERSUNK - SCS-TB</p> <p>ALL ALUMINUM - ABA-TB</p>	 <p>ALL ALUMINUM - ABS-STR</p> <p>ALL STEEL - SBS-STR</p> <p>ALL STAINLESS - FBF-STR</p>	 <p>ALL STEEL - STM</p> <p>ALL ALUMINUM - STMA</p>	 <p>ALL STEEL - RB</p>	 <p>BRAZIER HEAD</p> <p>TRUSS HEAD</p> <p>FLUSH HEAD</p> <p>90°</p> <p>CBC</p>	 <p>BUTTON HEAD</p> <p>TRUSS HEAD</p> <p>FLUSH HEAD</p> <p>BROAD TRUSS HEAD</p> <p>90°</p> <p>CBM</p> <p>RIVET HEAD</p>	
PAGE 40	PAGE 41	PAGE 42	PAGE 43	PAGE 44	PAGE 46	PAGE 44

LSR LOAD® SPREADING, PEEL RIVET®, WELL-NUT®, ULTRAGRIP®, GROOVED RIVETS, JACK-NUT®, HR RIVET®, EASY ENTRY®, POPNUT®, SOFT SET®, CLOSED END, PROSET®, MULTIGRIP™, OPEN END, PRG SERIES, POPMATIC RIVET TOOLS® ARE REGISTERED TRADEMARKS OF POP® EINHART FASTENING TECHNOLOGIES, INDUSTRIAL DIVISION, A BLACK & DECKER COMPANY. GRIPRITE, OPEN END, CLOSED END, MULTI-GRIP®, TRI-BULB®, MAGNATITE®, C&L®, KLK-RIVET NUTS®, MAGNALOK®, CSOL®, KLK-SERTS/POLYNUTS®, AUTO-BULK/MANABULB®, C120L®, 302E / 304E, STRONGHOLD™, MAGNAGRIP®, M SERIES, AUTOCLAMP®, BOM RIVET®, V SERIES, PEEL®, HUCKTAINER®, KLK-FAST®, FLOORTITE, FI SERIES ARE REGISTERED TRADEMARKS OF HUCK® - MARSON®, ALCOA FASTENING SYSTEMS, AVEX®, AVIBULB®/AVINOX®, SUPERSERT®, BULBEX®, EARTHTAB RIVET, GENESIS TOOLS®, KLAMPITTE®/TLR, BRIV®, AVDEL SPEED FASTENING®, MONOBOLT®, CHOBERT®, N RIVET, INTERLOCK®, RIVSCREW®, SR RIVET, HEMLOK®, GROVIT®, Q-RIVETS®, STAVEX®, CHERRYMATE®, AVTRONIC®, AVEDELOK®, MAXLOK®, CAMTAINER®, VERSANUT® ARE REGISTERED TRADEMARKS OF AVDEL®, ACUMENT™ GLOBAL TECHNOLOGIES COMPANY, COPYRIGHT © 2007 ACUMENT™ INTELLECTUAL PROPERTIES LLC. OPEN END, CELUSPLIT®, CEL-NUT®, CLOSED END, TIGERBOLT®, LA COBRA, MULTIGRIP™ ARE REGISTERED TRADEMARKS OF CELUS® BRAND A RIVETKING® COMPANY. OPEN END, CAP RIVETS®, TAURUS, POLYGRIP®, TRI-FOLD®, PH SERIES, GROOVED RIVETS, BULB-TITE®, GAV SYSTEMS®, PEEL, MEGAGRIP® ARE REGISTERED TRADEMARKS OF GESIPA® FASTENERS USA, INC. COPYRIGHT 2008®.



RIVETKING® PRODUCT OVERVIEW

BLIND RIVETS • COLLAR BOLTS • RIVET NUTS • TOOLS • QUICKRIVETS • DRIVE RIVETS



PRODUCT OVERVIEW



BLIND RIVETS

LIGHT DUTY	MEDIUM DUTY	HEAVY DUTY (STRUCTURAL)	FIXED HOLE SIZE	VARIABLE / OVERSIZE HOLE	FIXED GRIP RANGE	VARIABLE GRIP RANGE	EXTRA WIDE GRIP RANGE	WEATHER RESISTANT / WATERTIGHT	FASTENING TO METAL	FOR THIN, SOFT OR BRITTLE MATERIALS	FASTENING TO WOOD	FASTENING TO MANDREL (HIDDEN)	INTERNALLY LOCKED MANDREL (VISIBLE)	EXTERNALLY LOCKED MANDREL	NON-MECHANICAL LOCKED MANDREL	AESTHETIC BACKSIDE PORTUSION	REMOVABLE	INCREASED ASSEMBLY SPEED
------------	-------------	-------------------------	-----------------	--------------------------	------------------	---------------------	-----------------------	--------------------------------	--------------------	-------------------------------------	-------------------	-------------------------------	-------------------------------------	---------------------------	-------------------------------	------------------------------	-----------	--------------------------

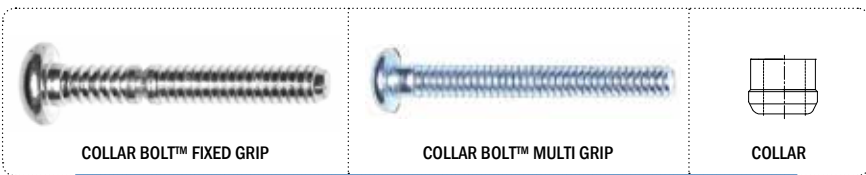
RIVETKING®	POP®	AVDEL®	HUCK®	GESIPA®	MARSON®	CELUS®												
STANDARD BLIND RIVETS																		
OPEN END	OPEN END	N RIVET	GRIPRITE	OPEN END	OPEN END	OPEN END	◆											
CLOSED END	CLOSED END	SR RIVET		CAP RIVETS®	CLOSED END	CLOSED END	◆		◆									
MULTIGRIP™ RIVETS																		
MULTI-GRIP-RT™ MULTI-GRIP-CT™	MULTIGRIP™	AVEX®		POLYGRIP	MULTI-GRIP™	MULTIGRIP™	◆		◆		◆		◆					
TRI-FOLDING / LOAD SPREADING RIVETS																		
TRIFIX™	LSR LOAD@ SPREADING	BULBEX®		TRI-FOLD®	TRI-BULB®	CELUSPLIT®	◆			◆		◆		◆				
SUPERTRIFIX™		KLAMPTITE® / TLR*	MAGNATITE®	BULB-TITE®			◆			◆		◆		◆				
STRUCTURAL BLIND RIVETS																		
TIGERBOLT®		MONOBOLT®				TIGERBOLT®			◆		◆		◆				◆	
IN-LOCK®	ULTRAGRIP®	INTERLOCK®	MAGNALOK®	MEGAGRIP®	KLIK-LOCK®			◆		◆		◆		◆				
STEMLOCK™		HEMLOK®	AUTO-BULB / MAGNABULB®		KLIK-FAST®			◆		◆		◆		◆			◆	
RIVBOLT™			BOM™					◆		◆		◆		◆			◆	
SEMI-STRUCTURAL BLIND RIVETS																		
RKQ™		Q-RIVET®	STRONGHOLD™					◆		◆		◆		◆			◆	
RIVEX®		STAVEX®						◆		◆		◆		◆			◆	
RIVINOX® / RIVIBULB®	HR RIVET®	AVIBULB® / AVINOX®						◆		◆		◆		◆			◆	
EXTRA WIDE GRIP RIVETS																		
CHECKMATE®		CHERRYMATE®						◆		◆		◆		◆				
TUBERIVETS™			AUTOCLAMP®					◆		◆		◆		◆			◆	
SPECIALITY BLIND RIVETS																		
GENTLESET™	SOFT SET®							◆		◆		◆		◆				
EASY ENTRY™	EASY ENTRY®							◆		◆		◆		◆				◆
GROOVED RIVETS	GROOVED RIVETS			GROOVED RIVETS				◆		◆		◆		◆				
PLR™ RIVETS	PEEL RIVET		PEEL	PEEL				◆		◆		◆		◆				
QUIKSNAP®						QUIKSNAP®		◆		◆		◆		◆				
SPEED FASTENING™ / QUICKRIVETING																		
ZIPRIV™		BRIV®						◆		◆		◆		◆			◆	
ZIPSHO™		CHOBERT®						◆		◆		◆		◆			◆	
ZIPSCREW™		RIVSCREW®						◆		◆		◆		◆			◆	
ZIPGROOVE™		GROVIT®						◆		◆		◆		◆			◆	
ZIPTRONIC™		AVTRONIC®						◆		◆		◆		◆			◆	

◆ STANDARD FEATURE ◆ APPLICATION / PRODUCT DEPENDENT

LSR LOAD@ SPREADING, PEEL RIVET®, WELL-NUT®, ULTRAGRIP®, GROOVED RIVETS, JACK-NUT®, HR RIVET®, EASY ENTRY®, POPNUT®, SOFT SET®, CLOSED END, PROSET®, MULTIGRIP™, OPEN END, PRG SERIES, POPMATIC RIVET TOOLS® ARE REGISTERED TRADEMARKS OF POP® EMHART FASTENING TECHNOLOGIES, INDUSTRIAL DIVISION, A BLACK & DECKER COMPANY.
GRIPRITE, OPEN END, CLOSED END, MULTI-GRIP®, TRI-BULB®, KLIK-LOCK®, MAGNATITE®, C6L®, KLIK RIVET NUTS®, MAGNALOK®, C50L®, KLIK-SERTS / POLYNUTS®, AUTO-BULK / MANABULB®, C120L®, 302E / 304E, STRONGHOLD™, MAGNAGRIP®, M SERIES, AUTOCLAMP®, BOM RIVET®, V SERIES, PEEL®, HUCKTAINER®, KLIK-FAST®, FLOORTITE, FI SERIES ARE REGISTERED TRADEMARKS OF HUCK® - MARSON®, ALCOA FASTENING SYSTEMS.
AVEX®, AVIBULB® / AVINOX®, SUPERSERT®, BULBEX®, EARTH TAB RIVET, GENESIS TOOLS®, KLAMPTITE® / TLR, BRIV®, AVDEL SPEED FASTENING®, MONOBOLT®, CHOBERT®, N RIVET, INTERLOCK®, RIVSCREW®, SR RIVET, HEMLOK®, GROVIT®, Q-RIVET®, STAVEX®, CHERRYMATE®, AVTRONIC®, AVEDELOK®, MAXLOK®, CAMTAINER®, VERSANUT® ARE REGISTERED TRADEMARKS OF AVDEL®, ACUMENT™ GLOBAL TECHNOLOGIES COMPANY, COPYRIGHT © 2007 ACUMENT™ INTELLECTUAL PROPERTIES LLC.
OPEN END, CELUSPLIT®, CEL-NUT®, CLOSED END, TIGERBOLT®, LA COBRA, MULTIGRIP™ ARE REGISTERED TRADEMARKS OF CELUS® BRAND A RIVETKING® COMPANY.
OPEN END, CAP RIVETS®, TAURUS, POLYGRIP, TRI-FOLD®, PH SERIES, GROOVED RIVETS, BULB-TITE®, GAV SYSTEMS®, PEEL, MEGAGRIP® ARE REGISTERED TRADEMARKS OF GESIPA® FASTENERS USA, INC. COPYRIGHT 2008®.

RIVETKING® PRODUCT OVERVIEW

BLIND RIVETS • COLLAR BOLTS • RIVET NUTS • TOOLS • QUICKRIVETS • DRIVE RIVETS



COLLAR BOLT™ FIXED GRIP

COLLAR BOLT™ MULTI GRIP

COLLAR

COLLAR BOLTS

RIVETKING®	POP®	AVDEL®	HUCK®	GESIPA®	MARSON®	CELUS®	LIGHT DUTY	MEDIUM DUTY	HEAVY DUTY (STRUCTURAL)	FIXED HOLE SIZE	VARIABLE / OVERSIZE HOLE	FIXED GRIP RANGE	VARIABLE GRIP RANGE	EXTRA WIDE GRIP RANGE	WEATHER RESISTANT / WATERTIGHT	FASTENING TO METAL	FOR THIN, SOFT OR BRITTLE MATERIALS	FASTENING TO WOOD	INTERNALLY LOCKED MANDREL (HIDDEN)	EXTERNALLY LOCKED MANDREL (VISIBLE)	NONMECHANICAL LOCKED MANDREL	NONMECHANICAL LOCKED PORTFUSION	AESTHETIC BACKSIDE PORTFUSION	REMOVABLE	REMOVED ASSEMBLY SPEED
COLLAR BOLT™ 6		AVDELOK®	C6L®				◆	◆	◆	◆	◆	◆	◆	◆	◆	◆	◆	◆	◆	◆	◆	◆	◆	◆	◆
COLLAR BOLT™ 50		AVDELOK®	C50L®				◆	◆	◆	◆	◆	◆	◆	◆	◆	◆	◆	◆	◆	◆	◆	◆	◆	◆	◆
COLLAR BOLT™ 120		AVDELOK®	C120L®				◆	◆	◆	◆	◆	◆	◆	◆	◆	◆	◆	◆	◆	◆	◆	◆	◆	◆	◆
COLLAR BOLT™ MULTIGRIP		MAXLOK®	MAGNAGRIP®				◆	◆	◆	◆	◆	◆	◆	◆	◆	◆	◆	◆	◆	◆	◆	◆	◆	◆	◆



RIVET NUTS

RIVETKING®	POP®	AVDEL®	HUCK®	GESIPA®	MARSON®	CELUS®	LIGHT DUTY	MEDIUM/HEAVY DUTY	FIXED HOLE SIZE	VARIABLE / OVERSIZE HOLE	FIXED GRIP RANGE	VARIABLE GRIP RANGE	EXTRA WIDE GRIP RANGE	WEATHER RESISTANT / WATERTIGHT	OFFERED IN CLOSED END	PLASTISOL CAN BE APPLIED	FASTENING TO METAL	FOR THIN, SOFT OR BRITTLE MATERIALS	FASTENING TO WOOD	VIBRATION RESISTANT	REMOVABLE	
RUBBERNUT™	WELL-NUT®						◆	◆	◆	◆	◆	◆	◆	◆	◆	◆	◆	◆	◆	◆	◆	◆
JK-NUT™	JACK-NUT®						◆	◆	◆	◆	◆	◆	◆	◆	◆	◆	◆	◆	◆	◆	◆	◆
RIVINUTS™	POP NUT®				KLIKRIVET NUTS®	CEL-NUT®	◆	◆	◆	◆	◆	◆	◆	◆	◆	◆	◆	◆	◆	◆	◆	◆
VARINUT™		VERSANUT®					◆	◆	◆	◆	◆	◆	◆	◆	◆	◆	◆	◆	◆	◆	◆	◆
SWAGENUT™		SUPERSERT®			KLIK-SERTS/ POLYNUTS®		◆	◆	◆	◆	◆	◆	◆	◆	◆	◆	◆	◆	◆	◆	◆	◆



TOOLS

RIVETKING®	POP®	AVDEL®	HUCK®	GESIPA®	MARSON®	CELUS®	FOR CONTINUOUS PRODUCTION USE	FOR MAINTENANCE AND REPAIR	DISPOSABLE	HEAVY DUTY	TOOL BALANCER HOOKUP	LIGHT DUTY	BLOW MOLDDED CARRY CASE	3 JAW DESIGN	ERGONOMIC	SHOCK RESISTANT	LIGHTWEIGHT	BODY BOOT & NOSE PIECE STORAGE	HIGH SPEED RIVETING SYSTEMS
RIVETKING® 8000 SERIES	PROSET®	GENESIS TOOLS®	FI SERIES	TAURUS	302E / 304E		◆	◆	◆	◆	◆	◆	◆	◆	◆	◆	◆	◆	◆
ZIPP® ZI™ SERIES	PRG SERIES			PH SERIES	M SERIES		◆	◆	◆	◆	◆	◆	◆	◆	◆	◆	◆	◆	◆
RIVETKING® RK™ SERIES					V SERIES	LA COBRA	◆	◆	◆	◆	◆	◆	◆	◆	◆	◆	◆	◆	◆
RIVETKING® QUICKRIVETING							◆	◆	◆	◆	◆	◆	◆	◆	◆	◆	◆	◆	◆
AUTOFAST®	POP MATIC RIVET TOOLS®	AVDEL SPEED FASTENING®		GAV SYSTEMS®			◆	◆	◆	◆	◆	◆	◆	◆	◆	◆	◆	◆	◆

◆ STANDARD FEATURE ◆ APPLICATION / PRODUCT DEPENDENT



ZIPRIV®

ZIPSHO®

ZIPSCREW®

QUICKRIVETS



LARGE DIAMETER ALUMINUM DRIVE RIVETS

TRAILER LINER RIVETS

TAMPER-RESISTANT, TAMPER-EVIDENT RIVETS

DRIVE RIVETS

LSR LOAD® SPREADING, PEEL RIVET®, WELL-NUT®, ULTRAGRIP®, GROOVED RIVETS, JACK-NUT®, HR RIVET®, EASY ENTRY®, POPNUT®, SOFT SET®, CLOSED END, PROSET®, MULTIGRIP™, OPEN END, PRG SERIES, POPMATIC RIVET TOOLS® ARE REGISTERED TRADEMARKS OF POP® EMHART FASTENING TECHNOLOGIES, INDUSTRIAL DIVISION, A BLACK & DECKER COMPANY.
 GRIPRITE®, OPEN END, CLOSED END, MULTI-GRIP®, TRI-BULB®, KLK-LOCK®, MAGNATITE®, C6L®, KLK-RIVET NUTS®, MAGNALOK®, C50L®, KLK-SERTS/POLYNUTS®, AUTO-BULK/MANABULB®, C120L®, 302E / 304E, STRONGHOLD™, MAGNAGRIP®, M SERIES, AUTOCLAMP®, BOM RIVET®, V SERIES, PEEL®, HUCKTAINER®, KLK-FAST®, FLOORTITE, FI SERIES ARE REGISTERED TRADEMARKS OF HUCK® MARSON® ALCOA FASTENING SYSTEMS.
 AVEX®, AVIBULB®, AVINOX®, SUPERSERT®, BULBEX®, EARTH TAB RIVET, GENESIS TOOLS®, KLAMPTITE®, TLR, BRN®, AVDEL SPEED FASTENING®, MONOBOLT®, CHOBERT®, N RIVET, INTERLOCK®, RIVSCREW®, SR RIVET, HEMLOK®, GROVIT®, Q-RIVET®, STAVE®, CHERRY MATE®, AVTRONIC®, AVDELOK®, MAXLOK®, CAMTAINER®, VERSANUT® ARE REGISTERED TRADEMARKS OF AVDEL®, ACUMENT™ GLOBAL TECHNOLOGIES COMPANY, COPYRIGHT © 2007 ACUMENT™ INTELLECTUAL PROPERTIES LLC.
 OPEN END, CELUSPLIT®, CEL-NUT®, CLOSED END, TIGERBOLT®, LA COBRA, MULTIGRIP™ ARE REGISTERED TRADEMARKS OF CELUS® BRAND A RIVETKING® COMPANY.
 OPEN END, CAP RIVETS®, TAURUS, POLYGRIP, TRI-FOLD®, PH SERIES, GROOVED RIVETS, BULB-TITE®, GAV SYSTEMS®, PEEL, MEGAGRIP® ARE REGISTERED TRADEMARKS OF GESIPA® FASTENERS USA, INC. COPYRIGHT 2008®.





STANDARD BLIND RIVETS

STRUCTURAL BLIND RIVETS

SPECIAL BLIND RIVETS

STRUCTURAL LOCKBOLTS

DRIVE RIVETS

RIVETKING®

STANDARD BLIND RIVETS • SPECIAL BLIND RIVETS • STRUCTURAL BLIND RIVETS
LOCK BOLTS & COLLARS • DRIVE RIVETS



RIVETKING® YOUR GUIDE TO SELECTING RIVETKING® BLIND RIVETS

STRENGTH	RIVET MATERIAL	HOLE SIZE	WORK THICKNESS	RIVET TYPE	HEAD STYLE
Determine the shear and tensile strengths required for your application and then select the best rivet to meet that requirement. Rivet style, material, diameter and fastener spacing all contribute to the ability of a rivet to hold the material properly.	Select a rivet which is made of a similar or compatible metal to the material you are joining. Other factors to consider are the environment in which the finished product will be placed, levels of moisture, high temperatures or corrosive atmosphere.	Our rivets are available in five diameters: <ul style="list-style-type: none"> • 3/32" • 1/8" • 5/32" • 3/16" • 1/4" It is extremely important that the hole size be correct to assure that our rivets perform properly.	Measure the total thickness of the material to be fastened in order to determine the required grip of the rivet. Be sure to select a sufficient grip range to allow the secondary head of the rivet to properly form.	RivetKing® Blind Rivets are available in several styles categorized as: <ul style="list-style-type: none"> • OPEN END • CLOSED END • MULTIGRIP™ • REAR FLANGE • LARGE FLANGE • LOAD SPREADING • LONG GRIP • RADIAL EXPANSION • STRUCTURAL (LOCKING) • HAMMER DRIVE Each type of rivet has its own benefits such as watertight, tri-folding or locking features. For more details on the rivet that is right for your application, consult the Product Overview or the specific product page in this catalog.	Three different head styles are available. Dome head is the standard. Large Flange for increased bearing surface and Countersunk for near flush installation in a countersunk hole.

DOMED HEAD

Industrial Rivet's part numbers are made up of six elements which, when correctly designated, completely describe the desired rivet. For large flange rivets, however, a 7th element (the suffix letter F) are required.



RIVET BODY MATERIAL
S Steel
A Aluminum
F Stainless Steel
C Copper

MANDREL MATERIAL
S Steel
A Aluminum
F Stainless Steel
B Brass

HEAD STYLE
B Domed head
C Countersunk head

DIAMETER*
 (in 32nds)
RIVET

GRIP RANGE*
 (in 16ths)

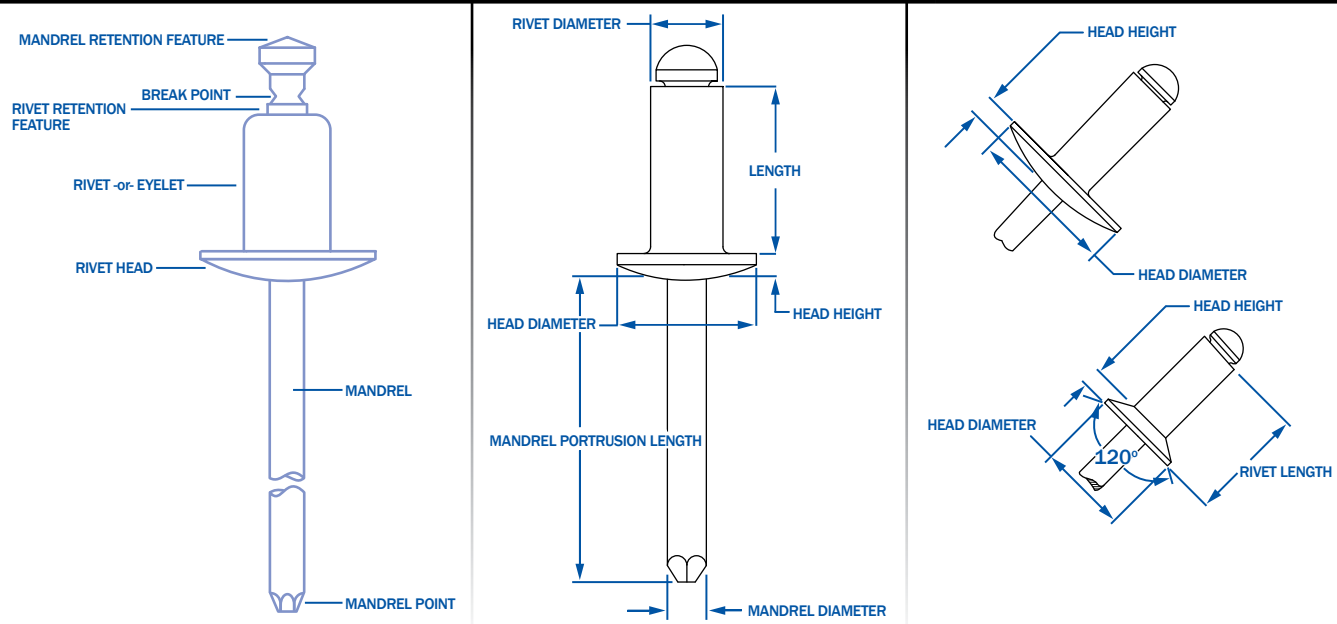
SPECIAL FEATURE
LF Large flange
BK Black
WT White
BR Brown
CR Custom Color
ROHS ROHS Compliant

RIVET TYPE

- IR** Standard
- CE** Closed End
- MG** MultiGrip™ Crimp Type
- MGRT** MultiGrip™ Ring Type
- ABL** TriFix (TriFolding)
- RIVINOX** Rivinox® (Rear Flange)
- RVB** RiviBulb (Rear Flange)
- RVX** Rivex (Hi Strength MultiGrip™)
- STM** StemLock (Rear Flange Structural)
- TB** TigerBolt (External Locking Structural)
- STR** InterLock (Internal Locking Structural)
- RKQ** Q Style Self Plugging
- CM** Checkmate®
- GROOVED** Grooved Rivet
- PLR** PLR™ Rivet

* In some instances these are replaced with a "part code" instead a fractional designation.

BLIND RIVET ANATOMY

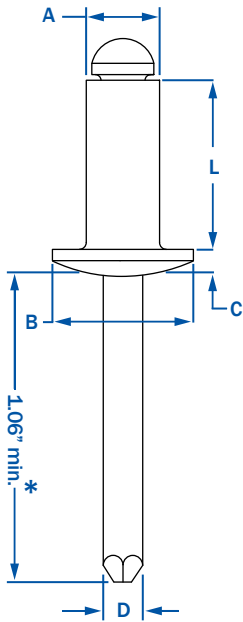


RIVETKING® ABA SERIES • ALL ALUMINUM RIVETS • OPEN END

RIVET: 5052 ALUMINUM • MANDREL: ALUMINUM

STANDARD BLIND RIVETS

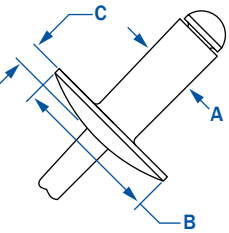
RIVETKING® ALUMINUM/ALUMINUM BLIND RIVETS BRIGHT POLISHED TO IMPROVE OXIDATION RESISTANCE AND OVERALL AESTHETICS OF THE RIVETED PRODUCT. Our rivets are tested to ensure consistent error free application from rivet to rivet. A special treatment applied to the rivet insures the mandrel will be encased by the rivet during application. The blunt diamond point prevents injury while improving application speed. All aluminum rivets are ranked #5 in shear and tensile strength for open end standards. PER IFI-114 GRADE 11.



STANDARD FLANGE-DOME HEAD

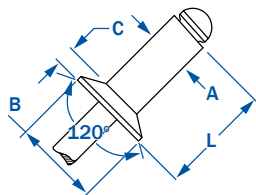
DIA.	PART NUMBER	GRIP RANGE	RIVET LENGTH	HEAD DIA.	HEAD HEIGHT	MANDREL DIA.	HOLE SIZE (DRILL #)	STRENGTH		Wt. lbs/M
								SHEAR	TENSILE	
3/32"	ABA - 32	.020 - .125	.250	.188	.032	.057	.097 - .100 (#41)	70	80	.70
	ABA - 34	.126 - .250	.375							.70
	ABA - 41	.020 - .062	.212							1.00
1/8"	ABA - 42	.063 - .125	.275	.250	.040	.076	.129 - .133 (#30)	120	150	1.10
	ABA - 43	.126 - .187	.337							1.20
	ABA - 44	.188 - .250	.400							1.30
	ABA - 45	.251 - .312	.462							1.30
	ABA - 46	.313 - .375	.525							1.40
	ABA - 48	.376 - .500	.650							1.50
	ABA - 410	.501 - .625	.775							1.67
	ABA - 412	.626 - .750	.900							
	ABA - 52	.020 - .125	.300							
	ABA - 53	.126 - .187	.362							
5/32"	ABA - 54	.188 - .250	.425	.312	.050	.095	.160 - .164 (#20)	190	230	1.88
	ABA - 56	.251 - .375	.550							2.00
	ABA - 58	.376 - .500	.675							2.50
	ABA - 62	.020 - .125	.325							2.50
3/16"	ABA - 63	.126 - .187	.387	.375	.060	.114	.192 - .196 (#11)	260	320	2.80
	ABA - 64	.188 - .250	.450							2.90
	ABA - 66	.251 - .375	.575							3.00
	ABA - 68	.376 - .500	.700							3.40
	ABA - 610	.501 - .625	.825							3.75
	ABA - 612	.626 - .750	.950							4.25
	ABA - 614	.751 - .875	1.075							4.50
	ABA - 616	.876 - 1.00	1.200							5.00
	ABA - 84	.020 - .250	.500							
	ABA - 86	.251 - .375	.625							
1/4"	ABA - 88	.376 - .500	.750	.500	.080	.151	.257 - .261 (F)	460	560	6.50
	ABA - 810	.501 - .625	.875							7.00
	ABA - 812	.626 - .750	1.000							7.50
	ABA - 814	.751 - .875	1.125							8.50
	ABA - 816	.876 - 1.00	1.250							8.50
										10.00

LARGE FLANGE



1/8"	ABA - 42LF	.063 - .125	.275	.375	.065	.076	.129 - .133 (#30)	120	150	1.20
	ABA - 43LF	.126 - .187	.337							1.30
	ABA - 44LF	.188 - .250	.400							1.40
	ABA - 46LF	.313 - .375	.525							1.75
	ABA - 48LF	.376 - .500	.650							1.89
5/32"	ABA - 52LF	.020 - .125	.300	.468	.075	.095	.160 - .164 (#20)	190	230	2.75
	ABA - 54LF	.188 - .250	.425							2.94
	ABA - 56LF	.251 - .375	.550							
	ABA - 62LF	.020 - .125	.325							
3/16"	ABA - 64LF	.188 - .250	.450	.625	.092	.114	.192 - .196 (#11)	260	320	4.67
	ABA - 66LF	.251 - .375	.575							5.00
	ABA - 68LF	.376 - .500	.700							5.00
	ABA - 610LF	.501 - .625	.825							5.50
	ABA - 612LF	.626 - .750	.950							6.00
	ABA - 614LF	.751 - .875	1.075							6.00
	ABA - 616LF	.876 - 1.00	1.200							6.50
	ABA - 88LF	.376 - .500	.750							.750

COUNTERSUNK



1/8"	ACA - 42	.063 - .125	.275	.220	.031	.076	.129 - .133 (#30)	120	150	1.10
	ACA - 43	.126 - .187	.337							1.20
	ACA - 44	.188 - .250	.400							1.30
5/32"	ACA - 54	.188 - .250	.425	.281	.040	.095	.160 - .164	190	230	1.88
3/16"	ACA - 64	.188 - .250	.450	.350	.050	.114	.192 - .196 (#11)	260	320	2.80
	ACA - 66	.251 - .375	.575							2.80

* 1/4" Diameter rivets have a 1.250 mandrel length minimum.

RIVETKING® ABS SERIES • ALUMINUM/STEEL RIVETS • OPEN END

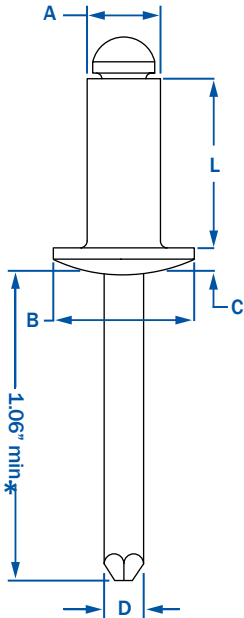
RIVET: 5056 ALUMINUM • MANDREL: STEEL PHOSPHATED - RIVET: 5052 ALUMINUM • MANDREL: STEEL ZINC PLATED

ALUMINUM/STEEL RIVETS ARE OFFERED IN TWO CONFIGURATIONS. CELUS® BRAND, 5056 ALUMINUM WITH STEEL PHOSPHATED MANDREL AND RIVETKING® BRAND 5052 ALUMINUM WITH STEEL ZINC PLATED MANDREL. Phosphated mandrels reduce rivet gun jaw cleaning, while zinc plated mandrels provide for greater rust protection. The aluminum rivet body is bright polished to protect from oxidation. The ABS series is ranked #4 in shear and tensile strength in the standard open end rivet category.



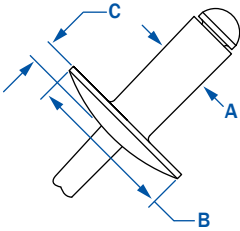
STANDARD BLIND RIVETS

STANDARD FLANGE-DOME HEAD



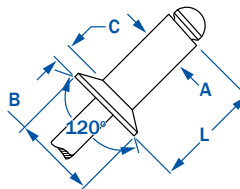
DIA.	PART NUMBER	GRIP RANGE	RIVET LENGTH	HEAD DIA.	HEAD HEIGHT	MANDREL DIA.	HOLE SIZE (DRILL #)	STRENGTH		Wt. lbs/M
								SHEAR	TENSILE	
3/32"	ABS - 32	.020 - .125	.250	.188	.032	.057	.097 - .100 (#41)	90	120	1.30
	ABS - 34	.126 - .250	.375					[70]	[80]	1.30
	ABS - 41	.020 - .062	.212							2.50
	ABS - 42	.063 - .125	.275							2.50
1/8"	ABS - 43	.126 - .187	.337	.250	.040	.076	.129 - .133 (#30)	170 [120]	220 [150]	2.60
	ABS - 44	.188 - .250	.400							2.70
	ABS - 45	.251 - .312	.462							2.70
	ABS - 46	.313 - .375	.525							2.80
	ABS - 48	.376 - .500	.650							3.10
	ABS - 410	.501 - .625	.775							3.10
	ABS - 412	.626 - .750	.900							
5/32"	ABS - 52	.020 - .125	.300	.312	.050	.095	.160 - .164 (#20)	260 [190]	350 [230]	4.25
	ABS - 53	.126 - .187	.362							4.25
	ABS - 54	.188 - .250	.425							4.38
	ABS - 56	.251 - .375	.550							5.17
	ABS - 58	.376 - .500	.675							5.17
	ABS - 62	.020 - .125	.325							6.20
3/16"	ABS - 63	.126 - .187	.387	.375	.060	.114	.192 - .196 (#11)	380 [260]	500 [320]	7.00
	ABS - 64	.188 - .250	.450							7.20
	ABS - 66	.251 - .375	.575							7.75
	ABS - 68	.376 - .500	.700							8.75
	ABS - 610	.501 - .625	.825							9.00
	ABS - 612	.626 - .750	.950							
	ABS - 614	.751 - .875	1.075							
1/4"	ABS - 616	.876 - 1.00	1.200	.500	.080	.151	.257 - .261 (F)	700 [460]	920 [560]	10.33
	ABS - 84	.020 - .250	.500							13.50
	ABS - 86	.251 - .375	.625							14.00
	ABS - 88	.376 - .500	.750							15.00
	ABS - 810	.501 - .625	.875							16.00
	ABS - 812	.626 - .750	1.000							16.00
	ABS - 814	.751 - .875	1.125							21.00
ABS - 816	.876 - 1.00	1.250	21.00							

LARGE FLANGE



1/8"	ABS - 42LF	.063 - .125	.275	.375	.065	.076	.129 - .133 (#30)	170 [120]	220 [150]	2.60
	ABS - 43LF	.126 - .187	.337							2.70
	ABS - 44LF	.188 - .250	.400							2.70
	ABS - 46LF	.313 - .375	.525							3.25
5/32"	ABS - 48LF	.376 - .500	.650	.468	.075	.095	.160 - .164 (#20)	260 [190]	350 [230]	5.00
	ABS - 52LF	.020 - .125	.300							
	ABS - 54LF	.188 - .250	.425							
3/16"	ABS - 56LF	.251 - .375	.550	.625	.092	.114	.192 - .196 (#11)	380 [260]	500 [320]	8.00
	ABS - 62LF	.020 - .125	.325							9.00
	ABS - 64LF	.188 - .250	.450							9.33
	ABS - 66LF	.251 - .375	.575							10.50
	ABS - 68LF	.376 - .500	.700							10.50
	ABS - 610LF	.501 - .625	.825							11.50
	ABS - 612LF	.626 - .750	.950							12.00
ABS - 614LF	.751 - .875	1.075								
ABS - 616LF	.876 - 1.00	1.200								
1/4"	ABS - 88LF	.376 - .500	.750	.750	1.07	.151	.257 - .261	700 [460]	920 [560]	

COUNTERSUNK



1/8"	ACS - 42	.063 - .125	.275	.220	.031	.076	.129 - .133 (#30)	170 [120]	220 [150]	2.60
	ACS - 43	.126 - .187	.337							2.60
	ACS - 44	.188 - .250	.400							2.70
5/32"	ACS - 54	.188 - .250	.425	.281	.040	.095	.160 - .164	260 [190]	350 [230]	4.13
3/16"	ACS - 64	.188 - .250	.450	.350	.050	.114	.192 - .196 (#11)	380 [260]	500 [320]	6.40
	ACS - 66	.251 - .375	.575							7.40

* 1/4" DIAMETER RIVETS HAVE A 1.250 MANDREL LENGTH MINIMUM.

** CELUS® 5056 ALUMINUM/STEEL PHOSPHATED ARE PER IFI 114 GRADE 19 AND DO NOT HAVE A SUFFIX

*** RIVETKING® 5052 ALUMINUM/STEEL ZINC PLATED ARE PER IFI 114 GRADE 18 ARE IN BRACKETED ABOVE AND HAVE /IR AS THE SUFFIX



RIVETKING® SBS SERIES • ALL STEEL BLIND RIVETS • OPEN END

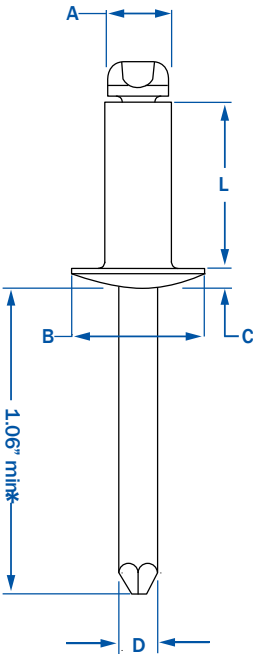
RIVET: STEEL TRIVALENT ZINC PLATED • MANDREL: STEEL TRIVALENT ZINC PLATED

STANDARD BLIND RIVETS

RIVETKING®/CELUS® STEEL/STEEL BLIND RIVETS ARE EQUIPPED WITH PITCHED MANDREL DESIGN THAT IS ENVELOPED BY THE RIVET DURING APPLICATION TO PREVENT MANDREL FALLOUT. Offered in two configurations, RivetKing® Brand All Steel Zinc Plated or Celus® Brand, Steel with Phosphate mandrel. Phosphated mandrels reduce rivet gun jaw cleaning, while zinc plated mandrels provide for greater rust protection. The SBS series is ranked #3 in both shear and tensile strength in the open end blind rivet category. Per IFI -114 Grade 30

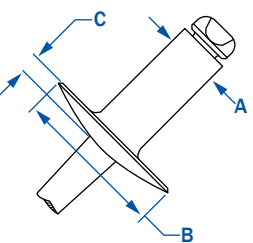


STANDARD FLANGE-DOME HEAD

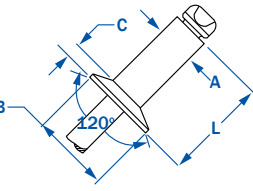


DIA.	PART NUMBER	GRIP RANGE	RIVET LENGTH	HEAD DIA.	HEAD HEIGHT	MANDREL DIA.	HOLE SIZE (DRILL #)	STRENGTH		Wt. lbs/M							
								SHEAR	TENSILE								
3/32"	SBS - 32	.020 - .125	.250	.188	.032	.057	.097 - .100 (#41)	130	170	1.50							
	SBS - 34	.126 - .250	.375							1.70							
	SBS - 41	.020 - .062	.212							2.80							
	SBS - 42	.063 - .125	.275							2.90							
1/8"	SBS - 43	.126 - .187	.337	.250	.040	.076	.129 - .133 (#30)	260	310	3.10							
	SBS - 44	.188 - .250	.400							3.30							
	SBS - 45	.251 - .312	.462							3.60							
	SBS - 46	.313 - .375	.525							3.70							
	SBS - 48	.376 - .500	.650							3.70							
	SBS - 410	.501 - .625	.775							4.78							
5/32"	SBS - 52	.020 - .125	.300	.312	.050	.095	.160 - .164 (#20)	370	470	5.13							
	SBS - 53	.126 - .187	.362							5.25							
	SBS - 54	.188 - .250	.425							5.50							
	SBS - 56	.251 - .375	.550							6.67							
3/16"	SBS - 58	.376 - .500	.675	.375	.060	.114	.192 - .196 (#11)	540	680	6.83							
	SBS - 62	.020 - .125	.325							7.80							
	SBS - 63	.126 - .187	.387							8.20							
	SBS - 64	.188 - .250	.450							8.60							
	SBS - 66	.251 - .375	.575							9.40							
	SBS - 68	.376 - .500	.700							10.75							
	SBS - 610	.501 - .625	.825							11.75							
	SBS - 612	.626 - .750	.950							11.75							
1/4"	SBS - 614	.751 - .875	1.075	.500	.080	.151	.257 - .261 (F)	1000	1240	14.33							
	SBS - 616	.876 - 1.00	1.200							14.67							
	SBS - 84	.020 - .250	.500							16.50							
	SBS - 86	.251 - .375	.625							17.50							
	SBS - 88	.376 - .500	.750							19.00							
	SBS - 810	.501 - .625	.875							23.00							
1/8"	SBS - 812	.626 - .750	1.000	.375	.065	.076	.129 - .133 (#30)	260	310	24.50							
	SBS - 814	.751 - .875	1.125							27.00							
	SBS - 816	.876 - 1.00	1.250							28.00							
	5/32"	SBS - 42LF	.063 - .125							.275	.468	.075	.095	.160 - .164 (#20)	370	470	3.30
		SBS - 43LF	.126 - .187							.337							3.50
		SBS - 44LF	.188 - .250							.400							3.60
		SBS - 46LF	.313 - .375							.525							4.63
	3/16"	SBS - 48LF	.376 - .500							.650	.625	.092	.114	.192 - .196 (#11)	540	680	4.63
		SBS - 52LF	.020 - .125							.300							12.67
		SBS - 54LF	.188 - .250							.425							13.33
		SBS - 56LF	.251 - .375							.550							14.67
		SBS - 62LF	.020 - .125							.325							16.00
SBS - 64LF		.188 - .250	.450	16.00													
1/4"	SBS - 66LF	.251 - .375	.575	.750	1.07	.151	.257 - .261	1000	1240	16.00							
	SBS - 68LF	.376 - .500	.700							17.00							
	SBS - 610LF	.501 - .625	.825							18.00							
	SBS - 612LF	.626 - .750	.950							18.00							
1/8"	SBS - 614LF	.751 - .875	1.075	.220	.031	.076	.129 - .133 (#30)	260	310	17.00							
	SBS - 616LF	.876 - 1.00	1.200							18.00							
	SBS - 88LF	.376 - .500	.750							18.00							
	5/32"	SCS - 42	.063 - .125							.275	.281	.040	.095	.160 - .164	370	470	3.00
		SCS - 43	.126 - .187							.337							3.10
SCS - 44		.188 - .250	.400	3.30													
3/16"	SCS - 54	.188 - .250	.425	.350	.050	.114	.192 - .196 (#11)	540	680	5.25							
	SCS - 64	.188 - .250	.450							8.20							
1/8"	SCS - 66	.251 - .375	.575							9.60							
	SCS - 66	.251 - .375	.575							9.60							

LARGE FLANGE



COUNTERSUNK

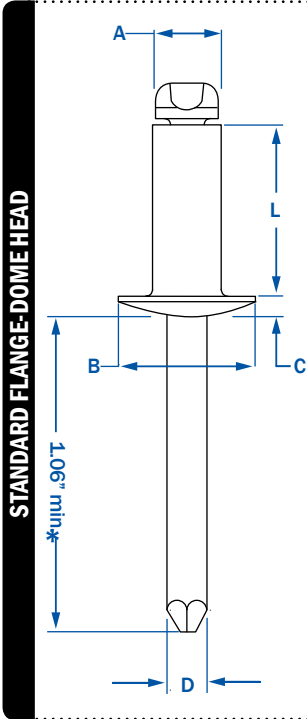


* 1/4" DIAMETER RIVETS HAVE A 1.250 MANDREL LENGTH MINIMUM.
 ** CELUS® STEEL ZINC PLATED RIVET / PHOSPHATED MANDREL DO NOT HAVE A SUFFIX (SPECIAL ORDER)
 *** RIVETKING® STEEL ZINC PLATED RIVET / ZINC PLATED MANDREL HAVE /IR AS A SUFFIX (STOCK)

RIVETKING® FBS SERIES · STAINLESS/STEEL RIVETS · OPEN END

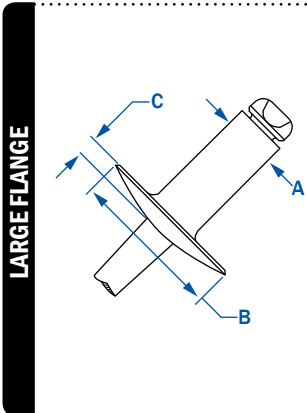
RIVET: 18-8 SERIES STAINLESS STEEL • MANDREL: STEEL TRIVALENT ZINC PLATED

RIVETKING® STAINLESS STEEL RIVET WITH STEEL ZINC PLATED MANDREL (FBS) SERIES IS THE ECONOMICAL ALTERNATIVE TO FBF SERIES. FBS Series offers similar shear and tensile strength and will hold its strength over time in corrosive environments. Because a steel mandrel has the potential to leave a rust trail, for aesthetic applications FBF series is recommended. IFI 114 Grade 50.



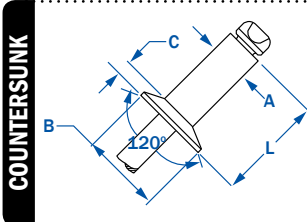
STANDARD FLANGE-DOME HEAD

DIA.	PART NUMBER	GRIP RANGE	RIVET LENGTH	HEAD DIA.	HEAD HEIGHT	MANDREL DIA.	HOLE SIZE (DRILL #)	STRENGTH		Wt. lbs/M
								SHEAR	TENSILE	
3/32"	FBS - 32	.020 - .125	.250	.188	.032	.057	.097 - .100 (#41)	230	280	
	FBS - 34	.126 - .250	.375							
	FBS - 41	.020 - .062	.212							
1/8"	FBS - 42	.063 - .125	.275	.250	.040	.076	.129 - .133 (#30)	420	530	2.60
	FBS - 43	.126 - .187	.337							3.00
	FBS - 44	.188 - .250	.400							3.10
	FBS - 45	.251 - .312	.462							3.20
	FBS - 46	.313 - .375	.525							3.60
	FBS - 48	.376 - .500	.650							3.50
5/32"	FBS - 52	.020 - .125	.300	.312	.050	.095	.160 - .164 (#20)	650	820	5.00
	FBS - 53	.126 - .187	.362							5.25
	FBS - 54	.188 - .250	.425							5.80
	FBS - 56	.251 - .375	.550							
	FBS - 58	.376 - .500	.675							
3/16"	FBS - 510	.501 - .625	.800	.375	.060	.114	.192 - .196 (#11)	950	1200	7.40
	FBS - 62	.063 - .125	.325							8.40
	FBS - 63	.126 - .187	.387							8.80
	FBS - 64	.188 - .250	.450							9.75
	FBS - 66	.251 - .375	.575							11.00
	FBS - 68	.376 - .500	.700							11.75
	FBS - 610	.501 - .625	.825							
	FBS - 612	.626 - .750	.950							
1/4"	FBS - 614	.751 - .875	1.075	.500	.080	.151	.257 - .261 (F)	1700	2100	
	FBS - 84	.063 - .125	.500							
	FBS - 86	.251 - .375	.625							
	FBS - 810	.501 - .625	.875							
	FBS - 812	.626 - .750	1.000							



LARGE FLANGE

1/8"	FBS - 42LF	.020 - .125	.275	.375	.065	.076	.129 - .133 (#30)	420	530	3.30
	FBS - 43LF	.126 - .187	.337							3.50
	FBS - 44LF	.188 - .250	.375							3.60
	FBS - 45LF	.251 - .312	.462							
	FBS - 46LF	.313 - .375	.525							
5/32"	FBS - 52LF	.020 - .125	.300	.468	.075	.095	.160 - .164 (#20)	650	820	
	FBS - 53LF	.126 - .187	.362							
	FBS - 54LF	.188 - .250	.425							
	FBS - 56LF	.251 - .375	.550							
3/16"	FBS - 58LF	.376 - .500	.675	.625	.092	.114	.192 - .196 (#11)	950	1200	10.67
	FBS - 62LF	.063 - .187	.375							11.33
	FBS - 64LF	.188 - .250	.450							11.67
	FBS - 66LF	.251 - .375	.575							13.00
	FBS - 68LF	.376 - .500	.700							14.50
	FBS - 610LF	.501 - .625	.825							



COUNTERSUNK

1/8"	FCS - 42	.063 - .125	.275	.220	.031	.076	.129 - .133 (#30)	420	530	3.00
	FCS - 43	.126 - .187	.337							3.10
	FCS - 44	.188 - .250	.400							3.30
5/32"	FCS - 54	.188 - .250	.425	.281	.040	.095	.160 - .164	650	820	5.36
3/16"	FCS - 64	.188 - .250	.450	.350	.050	.114	.192 - .196 (#11)	950	1200	7.60
	FCS - 66	.251 - .375	.575							9.79

* 1/4" Diameter rivets have a 1.250 mandrel length minimum.

RIVETKING® FBF SERIES • ALL STAINLESS RIVETS • OPEN END

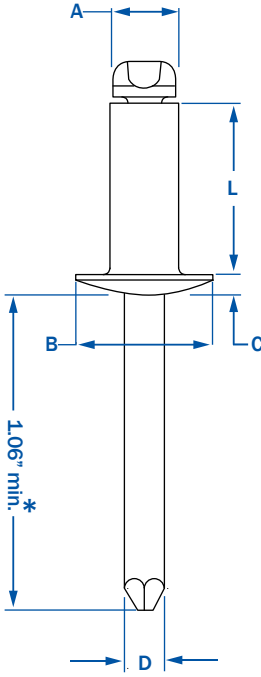
RIVET: 18-8 STAINLESS STEEL • MANDREL: 18-8 STAINLESS STEEL

STANDARD BLIND RIVETS

RIVETKING® ALL STAINLESS STEEL BLIND RIVETS ARE A SURE WAY TO AVOID RUST AND OXIDATION. Produced from the finest grade stainless steel materials and clean polished, the FBF series will look great and last a lifetime in the finished assembly. The mandrels are blunt diamond pointed to insure increased assembly speed and improving safety. The unique mandrel head shape assists in retaining the mandrel within the rivet. All Stainless Blind rivets rank #1 in shear and tensile strength when compared to others in its class. PER IFI-114 GRADE 51.

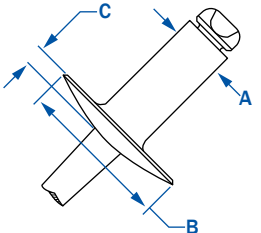


STANDARD FLANGE-DOME HEAD



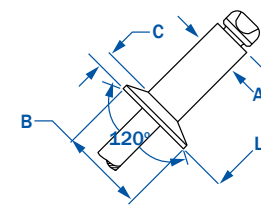
DIA.	PART NUMBER	GRIP RANGE	RIVET LENGTH	HEAD DIA.	HEAD HEIGHT	MANDREL DIA.	HOLE SIZE (DRILL #)	STRENGTH		Wt. lbs/M
								SHEAR	TENSILE	
3/32"	FBF - 32	.020 - .125	.250	.188	.032	.057	.097 - .100 (#41)	230	280	1.53
	FBF - 34	.126 - .250	.375							1.73
	FBF - 41	.020 - .062	.212							2.60
	FBF - 42	.063 - .125	.275							2.90
1/8"	FBF - 43	.126 - .187	.337	.250	.040	.076	.129 - .133 (#30)	420	530	3.00
	FBF - 44	.188 - .250	.400							3.10
	FBF - 45	.251 - .312	.462							3.60
	FBF - 46	.313 - .375	.525							3.30
	FBF - 48	.376 - .500	.650							3.50
	FBF - 410	.501 - .625	.775							4.88
	FBF - 412	.626 - .750	.900							
	FBF - 52	.020 - .125	.300							
5/32"	FBF - 53	.126 - .187	.362	.312	.050	.095	.160 - .164 (#20)	650	820	5.00
	FBF - 54	.188 - .250	.425							5.13
	FBF - 56	.251 - .375	.550							5.83
	FBF - 58	.376 - .500	.675							6.50
3/16"	FBF - 62	.020 - .125	.325	.375	.060	.114	.192 - .196 (#11)	950	1200	7.40
	FBF - 63	.126 - .187	.387							8.36
	FBF - 64	.188 - .250	.450							8.40
	FBF - 66	.251 - .375	.575							8.80
	FBF - 68	.376 - .500	.700							9.75
	FBF - 610	.501 - .625	.825							11.00
	FBF - 612	.626 - .750	.950							11.75
	FBF - 614	.751 - .875	1.075							14.62
1/4"	FBF - 616	.876 - 1.00	1.200	.500	.080	.151	.257 - .261 (F)	1700	2100	22.00
	FBF - 84	.020 - .250	.500							15.00
	FBF - 86	.251 - .375	.625							17.00
	FBF - 88	.376 - .500	.750							18.00
	FBF - 810	.501 - .625	.875							20.00
	FBF - 812	.626 - .750	1.000							20.50
	FBF - 814	.751 - .875	1.125							27.54
	FBF - 816	.876 - 1.00	1.250							28.56

LARGE FLANGE



1/8"	FBF - 42LF	.063 - .125	.275	.375	.065	.076	.129-133 (#30)	420	530	3.30
	FBF - 43LF	.126 - .187	.337							3.50
	FBF - 44LF	.188 - .250	.400							3.60
	FBF - 46LF	.313 - .375	.525							4.72
5/32"	FBF - 48LF	.376 - .500	.650	.468	.075	.095	.160-164 (#20)	650	820	4.72
	FBF - 52LF	.020 - .125	.300							
	FBF - 54LF	.188 - .250	.425							
	FBF - 56LF	.251 - .375	.550							
3/16"	FBF - 62LF	.020 - .125	.325	.625	.092	.114	.192-196 (#11)	950	1200	10.67
	FBF - 64LF	.188 - .250	.450							11.33
	FBF - 66LF	.251 - .375	.575							11.67
	FBF - 68LF	.376 - .500	.700							13.00
	FBF - 610LF	.501 - .625	.825							14.50
	FBF - 612LF	.626 - .750	.950							17.34
	FBF - 614LF	.751 - .875	1.075							18.36
	FBF - 616LF	.876 - 1.00	1.200							
1/4"	FBF - 88LF	.376 - .500	.750	.750	1.07	.151	.257 - .261	1700	2100	

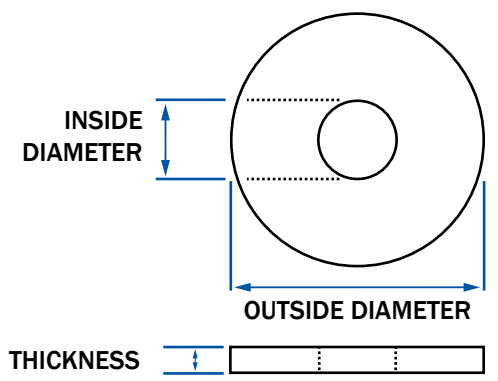
COUNTERSUNK



1/8"	FCF - 42	.063 - .125	.275	.220	.031	.076	.129 - .133 (#30)	420	530	3.00
	FCF - 43	.126 - .187	.337							3.10
	FCF - 44	.188 - .250	.400							3.30
5/32"	FCF - 54	.188 - .250	.425	.281	.040	.095	.160 - .164	650	820	5.36
3/16"	FCF - 64	.188 - .250	.450	.350	.050	.114	.192 - .196 (#11)	950	1200	7.60
	FCF - 66	.251 - .375	.575							9.79

* 1/4" Diameter rivets have a 1.250 mandrel length minimum.

RIVETKING® BACK UP WASHERS



Use Back Up Washers when the hole size or the grip range is out of suggested specification. Also serves as an excellent bearing surface in thin sheet metal or plastics.

OR DON'T USE BACK UP WASHERS AT ALL USE: TRIFIX™, RIVINOX®, OR RIVIBULB®

DIMENSIONS			ALUMINUM	STEEL ZINC PLATED	STAINLESS STEEL 18-8 SERIES
RIVET DIA.	OUTSIDE DIA.	THICKNESS	PART NUMBER	PART NUMBER	PART NUMBER
1/8"	.375	.062	ABUP - 4	SBUP - 4	FBUP - 4
5/32"	.437	.062	ABUP - 5	SBUP - 5	FBUP - 5
3/16"	.500	.062	ABUP - 6	SBUP - 6	FBUP - 6
1/4"	.562	.062	ABUP - 8	SBUP - 8	FBUP - 8



RIVETKING® BLIND RIVET TOOLS

RK-8000 SERIES RIVETKING® TOOLS

QUICK, LIGHT, ERGONOMIC AND SHOCK RESISTANT.
 The RK-8000 Series is the best choice for demanding, high volume production-oriented environments. Triple Jaws, and Vacuum mandrel collection comes standard.

The RK-8000S is perfect for 1/8" diameter rivets, while the RK-8000M is best for 3/16" and 5/32". For extended grip or structural rivet applications, the RK-8000LS is suggested. The RK-8000LS is designed with an extra long stroke to insure that the rivet is applied and mandrel is withdrawn completely from the rivet in almost any grip range.



Power: 1,850 lbsF
 Stroke: .787"
 Weight: 2.42 lbs

RK-8000S
5/32" MAX.



Power: 2,450 lbsF
 Stroke: .787"
 Weight: 3.3 lbs

RK-8000M
3/16" MAX. & STRUCTURALS

RIVETKING® LONG STROKE - RK-8000LS

RK-8000LS = LONG STROKE PERFORMANCE!
 Extra long stroke, lightweight, ergonomic and shock resistant with triple jaws and vacuum mandrel collection. The RivetKing® RK-8000LS is perfect in long stroke applications such as:



Power: 3,400 lbsF
 Stroke: 1.02"
 Weight: 3.74 lbs

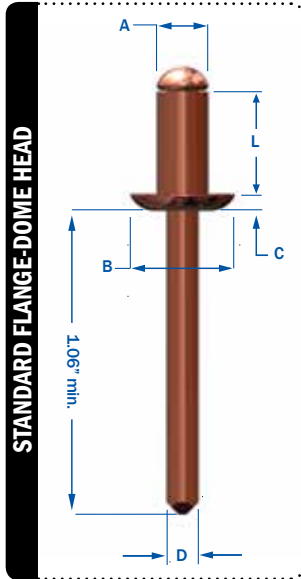
- THE RK-8000LS IS BEST FOR:**
- Structural Rivets
 - PLR™ Rivet
 - Trifold Rivets
 - Long Length Rivets
 - Rivets used outside the intended grip range

RK-8000LS
1/4" MAX. & STRUCTURALS

RIVETKING® COPPER BLIND RIVET

CBS SERIES • RIVET: COPPER • MANDREL: STEEL/COPPER PLATED

RIVETKING® OFFERS COPPER RIVET BODIES WITH STEEL/ COPPER PLATED MANDREL. The steel mandrel configuration is best for gutter or roofing applications or in electronic or decorative applications where cost is of concern. CBS series rivets meet or exceed IFI 114 specifications.



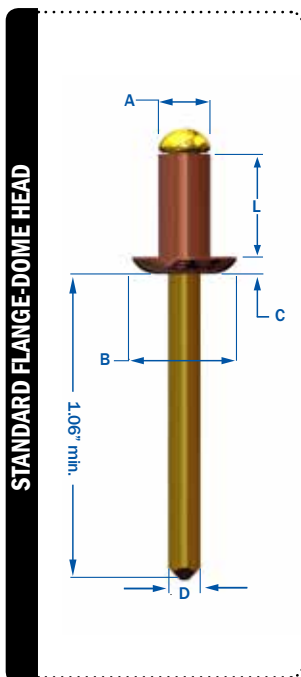
DIA.	PART NUMBER	GRIP RANGE	HOLE SIZE (DRILL #)	A			MANDREL DIA.	STRENGTH		WEIGHT PER M
				L	B	C		SHEAR	TENSILE	
1/8"	CBS - 42	.020 - .125	.129 - .133 (#30)	.275	.250	.040	.076			3.1
	CBS - 43	.126 - .187		.337						3.4
	CBS - 44	.188 - .250		.400						3.4



RIVETKING® COPPER/ BRASS BLIND RIVET

CBB SERIES • RIVET: COPPER • MANDREL: BRASS

RIVETKING® OFFERS COPPER RIVET BODIES WITH A SOLID BRASS MANDREL. The solid brass mandrel configuration is used in electronics applications where superior conductivity is required or in decorative applications where superior corrosion protection is required. CBB series rivets meet or exceed IFI 114 specifications.

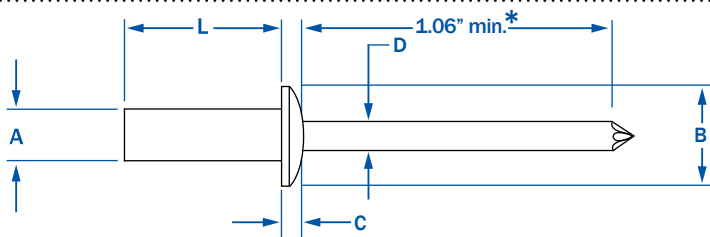


DIA.	PART NUMBER	GRIP RANGE	HOLE SIZE (DRILL #)	A			MANDREL DIA.	STRENGTH		WEIGHT PER M
				L	B	C		SHEAR	TENSILE	
1/8"	CBB - 42	.020 - .125	.129 - .133 (#30)	.275	.250	.040	.076			3.1
	CBB - 43	.126 - .187		.337						3.4
	CBB - 44	.188 - .250		.400						3.4



RIVETKING® ABA-CE SERIES • ALL ALUMINUM RIVETS • CLOSED END

ALL ALUMINUM-DOME HEAD • CLOSED END BLIND RIVET



RIVET: DOME HEAD, POLISHED, 1100 ALUMINUM
 MANDREL: POLISHED, ALUMINUM
 IFI-126 Grade 9

Closed End Rivets are used when a weather proof/leak proof seal is needed. Its completely closed end design prevents liquids, moisture, air and other contaminants from entering the riveted hole and/or the rivet itself. The RivetKing® Closed End rivet design guarantees the mandrel head is fully retained within the rivet. RivetKing® Aluminum/Aluminum Closed End rivets are bright polished for aesthetics and to prevent oxidation. The Aluminum Rivet / Aluminum Mandrel configuration is corrosion resistant.



PART NUMBER	RIVET SIZE	GRIP RANGE		LENGTH MAX	HEAD DIA NOM.	HEAD HEIGHT NOM.	MANDREL DIA NOM.	HOLE SIZE MIN - MAX	SHEAR LBS.F	TENSILE LBS.F	WEIGHT / M LBS/M								
		MIN	MAX																
ABA - 41 - CE	1/8"	.020	.062	.297	.250	.040	.076	.129 - .133 (#30)	100	110	1.2								
ABA - 42 - CE		.063	.125	.360								1.3							
ABA - 43 - CE		.126	.187	.422								1.3							
ABA - 44 - CE		.188	.250	.485								1.4							
ABA - 45 - CE		.251	.312	.547								1.5							
ABA - 46 - CE		.313	.375	.610								1.6							
ABA - 48 - CE		.376	.500	.735								1.7							
ABA - 410 - CE		.501	.625									1.8							
ABA - 412 - CE		.626	.750									1.9							
ABA - 52 - CE	5/32"	.020	.125	.375	.312	.050	.095	.160 - .164 (#20)	130	160	2.0								
ABA - 53 - CE		.126	.187	.437								2.0							
ABA - 54 - CE		.188	.250	.500								2.1							
ABA - 55 - CE		.251	.312	.562								2.2							
ABA - 56 - CE		.313	.375	.625								2.2							
ABA - 58 - CE		.376	.500	.750								2.3							
ABA - 510 - CE		.501	.625									2.4							
ABA - 62 - CE		3/16"	.020	.125								.406	.375	.060	.114	.192 - .196 (#11)	210	250	2.8
ABA - 63 - CE			.126	.187								.468							
ABA - 64 - CE	.188		.250	.531	3.4														
ABA - 66 - CE	.251		.375	.656	4.0														
ABA - 68 - CE	.376		.500	.781	4.4														
ABA - 610 - CE	.501		.625	.906	4.9														
ABA - 612 - CE	.626		.750	1.026	5.5														
ABA - 614 - CE	.751		.875		6.1														
ABA - 616 - CE	.876		1.000		6.8														

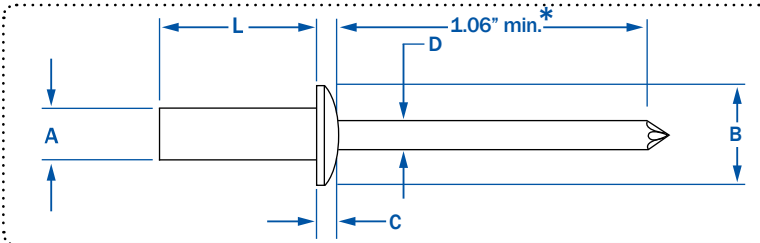
3/32" and 1/4" Diameter Rivets can be quoted on request.



RIVETKING® ABS-CE SERIES • ALUMINUM/ STEEL • CLOSED END

ALUMINUM/STEEL-DOME HEAD • CLOSED END BLIND RIVETS

STANDARD BLIND RIVETS



RIVET: DOME HEAD, POLISHED, 5056 ALUMINUM
 MANDREL: PHOSPHATED, STEEL
 Per IFI-126 Grade 19

Closed End Rivets are used when a weather proof / leak proof seal is needed. Its completely closed end design prevents liquids, moisture, air and other contaminants from entering the riveted hole and/or the rivet itself. The RivetKing® Closed End rivet design guarantees the mandrel head is fully retained within the rivet. Aluminum/Steel Closed End rivets have an aluminum bright polished rivet to resist oxidation and a steel phosphate coated mandrel for improved clamp force during riveting. While the ABS-CE series is an aluminum rivet, be aware that the mandrel is steel and even though withdrawn after riveting, the potential for rust streaks is present. For superior corrosion protection use ABA-CE or FBF-CE.



PART NUMBER	RIVET SIZE	GRIP RANGE		LENGTH MAX	HEAD DIA NOM.	HEAD HEIGHT NOM.	MANDREL DIA NOM.	HOLE SIZE MIN - MAX	SHEAR LBS.F	TENSILE LBS.F	WEIGHT LBS/M APPROX.
		MIN	MAX								
ABS - 41 - CE	1/8"	.020	.063	.297	.250	.040	.076	.129 - .133 (#30)	240	280	2.1
ABS - 42 - CE		.063	.125	.360							2.2
ABS - 43 - CE		.126	.187	.422							2.2
ABS - 44 - CE		.188	.250	.485							2.5
ABS - 45 - CE		.251	.312	.547							2.6
ABS - 46 - CE		.313	.375	.610							2.6
ABS - 48 - CE		.376	.500	.735							2.7
ABS - 410 - CE		.501	.625								2.8
ABS - 412 - CE		.626	.750								2.9
ABS - 52 - CE	5/32"	.020	.125	.375	.312	.050	.095	.160 - .164 (#20)	350	480	3.8
ABS - 53 - CE		.126	.187	.437							3.9
ABS - 54 - CE		.188	.250	.500							3.9
ABS - 55 - CE		.251	.312	.562							4.0
ABS - 56 - CE		.313	.375	.625							4.0
ABS - 58 - CE		.376	.500	.750							4.1
ABS - 510 - CE		.501	.625								4.3
ABS - 62 - CE	3/16"	.020	.125	.406	.375	.060	.114	.192 - .196 (#11)	500	690	5.4
ABS - 63 - CE		.126	.187	.468							5.8
ABS - 64 - CE		.188	.250	.531							6.2
ABS - 66 - CE		.251	.375	.656							6.4
ABS - 68 - CE		.376	.500	.781							7.0
ABS - 610 - CE		.501	.625	.906							7.3
ABS - 612 - CE		.626	.750	1.026							7.5
ABS - 614 - CE		.751	.875								8.0
ABS - 616 - CE		.876	1.000								8.5
ABS - 82 - CE	1/4"	.020	.125	.445	.500	.080	.151	.257 - .261 (F)	900	1100	11.3
ABS - 84 - CE		.125	.250	.570							11.5
ABS - 86 - CE		.251	.375	.695							11.5
ABS - 88 - CE		.376	.500	.820							12.5
ABS - 810 - CE		.501	.625	.945							13.5
ABS - 812 - CE		.626	.750	1.070							14.5
ABS - 814 - CE		.751	.875	1.195							15.5
ABS - 816 - CE		.876	1.000	1.320							16.5

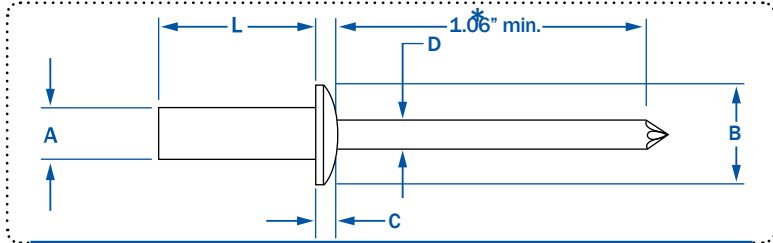


* 1/4" Diameter rivets have a 1.250 mandrel length minimum.

RIVETKING® SBS-CE SERIES • ALL STEEL • CLOSED END

ALL STEEL • DOME HEAD • CLOSED END BLIND RIVETS

STANDARD BLIND RIVETS



RIVET: DOME HEAD, ZINC PLATED, C-1002 STEEL
 MANDREL: ZINC PLATED, STEEL
 Per IFI-126 Grade 30

Closed End Rivets are used when a weather proof / leak proof seal is needed. Its completely closed end design prevents liquids, moisture, air and other contaminants from entering the riveted hole and/or the rivet itself. The RivetKing® Closed End Rivet design guarantees the mandrel head is fully retained within the rivet. Steel/Steel Closed End rivets are trivalent zinc plated.

FOR SUPERIOR CORROSION PROTECTION USE ABA-CE OR FBF-CE.



PART NUMBER	A	GRIP RANGE	L	B	C	D	HOLE SIZE	SHEAR	TENSILE
	RIVET SIZE		MIN - MAX	MAX	HEAD DIA	HEAD HEIGHT			
				NOM.	NOM.	NOM.	MIN - MAX	LBS.F	LBS.F
SBS - 42 - CE	1/8"	.063 - .125	.360	.250	.040	.076	129 - .133 (#30)	240	270
SBS - 43 - CE		.126 - .187	.422						
SBS - 44 - CE		.188 - .250	.485						
SBS - 45 - CE		.251 - .312	.547						
SBS - 46 - CE		.313 - .375	.610						
SBS - 48 - CE		.376 - .500	.735						
SBS - 52 - CE	5/32"	.020 - .125	.375	.312	.050	.095	.160 - .164 (#20)	390	420
SBS - 53 - CE		.126 - .187	.437						
SBS - 54 - CE		.188 - .250	.500						
SBS - 56 - CE		.251 - .375	.562						
SBS - 58 - CE		.376 - .500	.625						
SBS - 510 - CE	.501 - .625	.750							
SBS - 62 - CE	3/16"	.020 - .125	.406	.375	.060	.114	.192 - .196 (#11)	550	640
SBS - 63 - CE		.126 - .187	.468						
SBS - 64 - CE		.188 - .250	.531						
SBS - 66 - CE		.251 - .375	.656						
SBS - 68 - CE		.376 - .500	.781						
SBS - 610 - CE		.501 - .625	.906						
SBS - 612 - CE	.626 - .750	1.026							



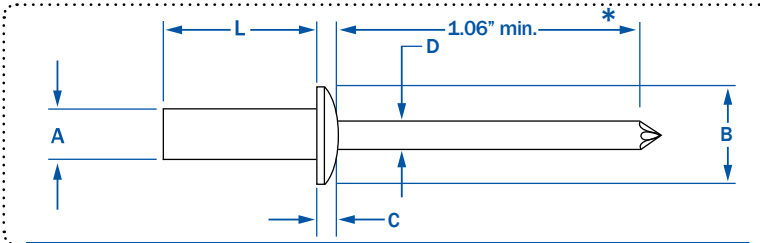
3/32" and 1/4" Diameter Rivets can be quoted on request.



RIVETKING® FBF-CE SERIES • ALL STAINLESS • CLOSED END

CLOSED END • RIVET: 18-8 STAINLESS • MANDREL: STAINLESS

STANDARD BLIND RIVETS



Closed End Rivets are used when a weather proof / leak proof seal is needed. Its completely closed end design prevents liquids, moisture, air and other contaminants from entering the riveted hole and/or the rivet itself. The RivetKing® Closed End rivet design guarantees the mandrel head is fully retained within the rivet. Stainless/Stainless Closed End rivets are bright polished and contain a grooved mandrel which improves jaw life and maintains positive stroke of the riveter. The All-Stainless configuration is corrosion resistant.

RIVET: DOME HEAD, POLISHED, 300 SERIES STAINLESS STEEL
 MANDREL: POLISHED, 400 SERIES STAINLESS STEEL
 Per IFI-126 Grade 51

300 SERIES STAINLESS STEEL MANDREL/ 300 SERIES STAINLESS STEEL RIVET
 AVAILABLE ON REQUEST BY SPECIAL ORDER ONLY.



PART NUMBER	RIVET SIZE	A		L		B		C		D	
		GRIP RANGE		LENGTH		HEAD DIA		HEAD HEIGHT		MANDREL DIA	
		MIN	MAX	MIN	MAX	NOM.	NOM.	NOM.	NOM.	MIN	MAX
FBF - 42 - CE	1/8"	.063	.125	.360							
FBF - 43 - CE		.126	.187	.422							
FBF - 44 - CE		.188	.250	.485					.129	.133	400
FBF - 45 - CE		.251	.312	.547		.250	.040	.076		(#30)	450
FBF - 46 - CE		.313	.375	.610							
FBF - 48 - CE		.376	.500	.735							
FBF - 52 - CE	5/32"	.020	.125	.375							
FBF - 53 - CE		.126	.187	.437							
FBF - 54 - CE		.188	.250	.500					.160	.164	700
FBF - 56 - CE		.251	.375	.562		.312	.050	.095		(#20)	800
FBF - 58 - CE		.376	.500	.625							
FBF - 510 - CE		.501	.625	.750							
FBF - 62 - CE	3/16"	.020	.125	.406							
FBF - 63 - CE		.126	.187	.468							
FBF - 64 - CE		.188	.250	.531					.192	.196	850
FBF - 66 - CE		.251	.375	.656		.375	.060	.114		(#11)	900
FBF - 68 - CE		.376	.500	.781							
FBF - 610 - CE		.501	.625	.906							
FBF - 612 - CE		.626	.750	1.026							
FBF - 82 - CE	1/4"	.020	.125	.445							
FBF - 84 - CE		.125	.250	.570							
FBF - 86 - CE		.251	.375	.695							
FBF - 88 - CE		.376	.500	.820					.257	.261	1520
FBF - 810 - CE		.501	.625	.945		.500	.080	.151		(F)	1955
FBF - 812 - CE		.626	.750	1.070							
FBF - 814 - CE		.751	.875	1.195							
FBF - 816 - CE		.876	1.000	1.320							

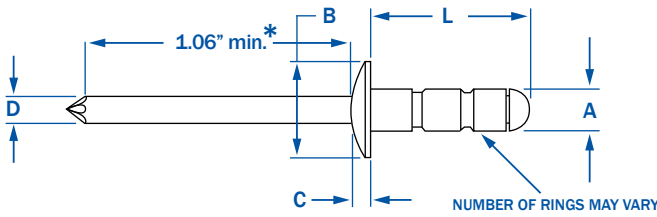


* 1/4" Diameter rivets have a 1.250 mandrel length minimum.

RIVETKING® ABS-RT™ SERIES • “RING STYLE” • MULTIGRIP-RT™

ALUMINUM/STEEL MULTIGRIP™ “RING STYLE”

SPECIAL BLIND RIVETS



RIVET: ALUMINUM
MANDREL: STEEL, TRIVALENT ZINC CLEAR PLATED

The benefit of a MultiGrip™ is that they offer a wider grip range than traditional blind rivets assisting the users in inventory reduction and part consolidation efforts. The RT™ series has aesthetic appeal to the backside of the assembly. TS-16949 produced and when applicable on steel, trivalent zinc plated for ROHS and GMW3044 compliance.



HEAD STYLE	PART NUMBER	RIVET SIZE	A	L	B	C	D	HOLE SIZE	SHEAR	TENSILE
			GRIP RANGE	LENGTH	HEAD DIA	HEAD HEIGHT	MANDREL DIA			
			MIN. - MAX.	MAX.	NOM.	NOM.	NOM.	MIN. - MAX.	LBS.F	LBS.F
DOVE HEAD	ABS - 41 - 42MGRT	1/8"	.020 - .125	.313	.250	.043	.075	.129 - .133 (#30)	122	176
	ABS - 41 - 43MGRT		.039 - .187	.389						
	ABS - 43 - 44MGRT		.156 - .250	.500						
	ABS - 43 - 45MGRT		.196 - .330	.586						
	ABS - 45 - 47MGRT	.236 - .445	.704	.312	.051	.088	.160 - .164 (#20)	198	354	
	ABS - 51 - 53MGRT	.032 - .157	.393							
	ABS - 52 - 54MGRT	.047 - .276	.512							
	ABS - 53 - 55MGRT	.156 - .354	.590							
	ABS - 54 - 58MGRT	.276 - .472	.708	.375	.062	.114	.192 - .196 (#11)	331	486	
	ABS - 62 - 64MGRT	.062 - .250	.519							
	ABS - 63 - 67MGRT	.187 - .456	.716							
	ABS - 66 - 69MGRT	.275 - .598	.875							
	ABS - 66 - 610MGRT	.393 - .670	.952	.511	.070	.141	.257 - .261 (F)	630	900	
	ABS - 610 - 612MGRT	.500 - .787	1.070							
	ABS - 82 - 84MG	.062 - .250	.472							
	ABS - 84 - 86MG	.156 - .375	.590							
ABS - 86 - 88MG	.250 - .750	.708								
LARGE FLANGE	ABS - 41 - 43LFMGRT	1/8"	.020 - .125	.313	.375	.043	.075	.129 - .133 (#30)	122	176
	ABS - 43 - 44LFMGRT	5/32"	.156 - .250	.500	.500	.051	.088	.160 - .164	198	354
	ABS - 52 - 54LFMGRT		.047 - .276	.512						
	ABS - 62 - 64LFMGRT	3/16"	.062 - .250	.519	.612	.062	.114	.192 - .196 (#11)	331	486
	ABS - 63 - 67LFMGRT		.187 - .456	.716						
ABS - 66 - 69LFMGRT	.275 - .598		.875							
C'SUNK	ACS - 43 - 44MGRT	1/8"	.093 - .250	.383	.209	.029	.057	.129 - .138	165	230
	ACS - 53 - 55MGRT	5/32"	.110 - .312	.470	.252	.049	.086	.161 - .169	255	375
	ACS - 62 - 65MGRT	3/16"	.062 - .312	.500	.345	.051	.108	.192 - .200	350	530
	ACS - 66 - 68MGRT		.250 - .500	.690						

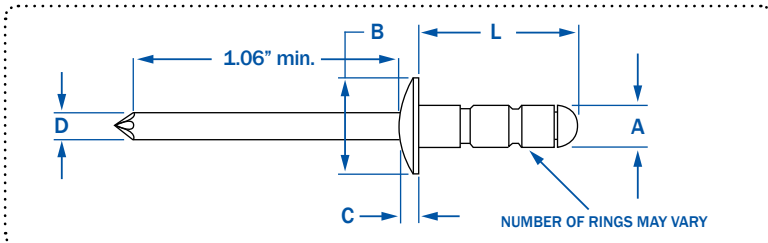
*1/4" Diameter rivets have a 1.250 mandrel length minimum.



RIVETKING® ABA-RT™ SERIES • “RING STYLE” • MULTIGRIP-RT™

ALUMINUM/ALUMINUM MULTIGRIP™ “RING STYLE”

SPECIAL BLIND RIVETS



The benefit of a MultiGrip™ is that they offer a wider grip range than traditional blind rivets assisting the users in inventory reduction and part consolidation efforts. The RT series has aesthetic appeal to the backside of the assembly. TS-16949 produced and when applicable on steel, trivalent zinc plated for ROHS and GMW3044 compliance.

RIVET: ALUMINUM
MANDREL: ALUMINUM ALLOY

HEAD STYLE	PART NUMBER	RIVET SIZE	A		L		B	C	D	HOLE SIZE	SHEAR	TENSILE				
			GRIP RANGE	LENGTH	HEAD DIA	HEAD HEIGHT	MANDREL DIA	MIN - MAX	LBS.F				LBS.F			
DOME HEAD	ABA41 - 43MGRT	1/8"	.039 - .187	.313	.390	.055	.076	.129 - .142 (#30)	65	85						
	ABA43 - 45MGRT		.157 - .312	.573												
	ABA45 - 47MGRT		.251 - .437	.594												
	ABA62 - 64MGRT	3/16"	.063 - .250	.425							.390	.055	.114	.192 - .205 (#11)	145	205
	ABA63 - 66MGRT		.188 - .375	.605												
	ABA66 - 68MGRT		.251 - .500	.716												
	ABA68 - 612MGRT		.438 - .750	1.050												
LARGE FLANGE	ABA41 - 43LFMGRT	1/8"	.039 - .187	.313	.650	.083	.114	.129 - .142 (#30)	65	85						
	ABA62 - 64LFMGRT	3/16"	.063 - .250	.425												
	ABA63 - 66LFMGRT		.188 - .375	.605												
	ABA68 - 612LFMGRT		.438 - .750	1.050												



RIVETKING® MANUAL RIVETERS

RIVETKING® 2 IN 1- BLIND RIVET & RIVET NUT TOOL

WHY BUY TWO TOOLS WHEN YOU ONLY NEED ONE?

This unique tool has the ability to set both blind rivets and rivetnuts. It even has the ability to set 1/4" structural blind rivets and rivetnuts up to 3/8". The changeover from blind rivets to rivet nuts is simple and takes less than 1 minute. It's patented fold away design makes it easy to carry and store. It contains a nose piece for blind rivets and mandrels for rivetnuts in every size and is conveniently stored in the blow molded carry case. Forged Steel arms insure durability while comfort soft touch rubberized grips guarantee comfort.



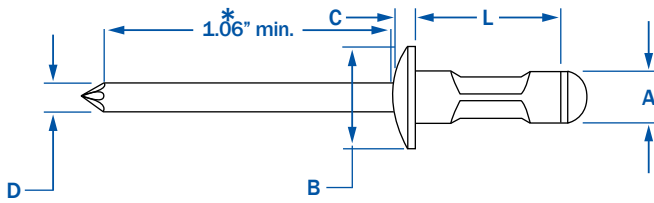
FIND THIS!
Plus More on
Page 8

RK-21 BLIND RIVETS = 1/4" & STRUCTURAL RIVET
NUTS = 3/8" OR 10MM

RIVETKING® ABS-CT™ SERIES • “CRIMP STYLE” • MULTIGRIP-CT™

RIVET: 5056 ALUMINUM • MANDREL: STEEL TRIVALENT ZINC PLATED

SPECIAL BLIND RIVETS



The benefit of a MultiGrip™ is that they offer a wider grip range than traditional blind rivets assisting the users in inventory reduction and part consolidation efforts. The CT series has excellent hole fill ability and strength as compared to Standard Blind Rivets and RT series MultiGrips™. TS-16949 produced and when applicable on steel, trivalent zinc plated for ROHS and GMW3044 compliance.

RIVET: ALUMINUM
MANDREL: STEEL TRIVALENT ZINC PLATED



HEAD STYLE	PART NUMBER	RIVET SIZE	A		L		B		C		D	
			GRIP RANGE	LENGTH	HEAD DIA	HEAD HEIGHT	MANDREL DIA	HOLE SIZE	SHEAR	TENSILE		
			MIN. - MAX.	MAX	NOM.	NOM.	NOM.	NOM.	MIN. - MAX.	TYPICAL LBS.F	TYPICAL LBS.F	
DOME HEAD	ABS - 41 - 43MG	1/8"	.020 - .187	.315	.250	.037	.057		.129 - .138	165	230	
	ABS - 42 - 44MG		.046 - .250	.375								
	ABS - 43 - 45MG		.156 - .312	.438								
	ABS - 45 - 46MG		.216 - .375	.500								
	ABS - 51 - 52MG	5/32"	.020 - .156	.270	.312	.047	.086		.161 - .169	255	375	
	ABS - 52 - 54MG		.040 - .250	.375								
	ABS - 54 - 56MG		.156 - .375	.500								
	ABS - 56 - 58MG		.250 - .500	.666								
	ABS - 62 - 64MG	3/16"	.062 - .250	.406	.386	.057	.108		.192 - .200	350	530	
	ABS - 63 - 67MG		.187 - .437	.595								
	ABS - 66 - 68MG		.250 - .500	.666								
	ABS - 68 - 610MG		.330 - .625	.760								
	ABS - 610 - 612MG		.500 - .750	.978								
	ABS - 82 - 84MG	1/4"	.062 - .250	.472	.511	.070	.141		.257 - .261	630	900	
	ABS - 84 - 86MG		.156 - .375	.590								
ABS - 86 - 88MG	.250 - .750		.708									
LARGE FLANGE	ABS - 42 - 43LFMG	1/8"	.031 - .187	.315	.325	.039	.057		.129 - .138	165	230	
	ABS - 42 - 44LFMG		.046 - .250	.375								
	ABS - 44 - 45LFMG		.156 - .312	.438								
	ABS - 52 - 54LFMG	5/32"	.062 - .250	.375	.375	.051	.086		.161 - .169	255	375	
	ABS - 53 - 55LFMG		.125 - .312	.438								
	ABS - 55 - 58LFMG		.251 - .500	.690								
	ABS - 62 - 64LFMG	3/16"	.062 - .250	.406	.625	.069	.108		.192 - .200	350	530	
	ABS - 66 - 68LFMG		.250 - .500	.666								
ABS - 610 - 612LFMG	.500 - .781		.978									
C'SUNK	ACS - 43 - 44MG	1/8"	.093 - .250	.383	.209	.029	.057		.129 - .138	165	230	
	ACS - 53 - 55MG	5/32"	.110 - .312	.470	.252	.049	.086		.161 - .169	255	375	
	ACS - 62 - 65MG	3/16"	.062 - .312	.500	.345	.051	.108		.192 - .200	350	530	
	ACS - 66 - 68MG		.250 - .500	.690								

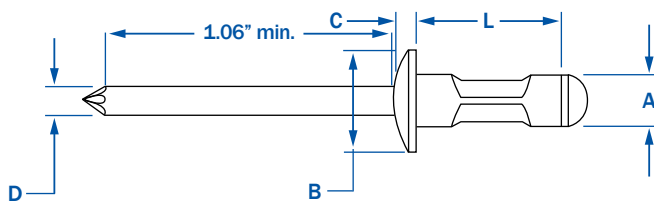
* 1/4" Diameter rivets have a 1.250 mandrel length minimum.

STAINLESS STEEL MULTIGRIP-CT™ ARE AVAILABLE, SEE RIVETKING® RIVEX®, ON PAGE 32.



RIVETKING® SBS-CT™ SERIES • “CRIMP STYLE” • MULTIGRIP-CT™

STEEL/STEEL MULTIGRIP™ “CRIMP STYLE”



The benefit of a MultiGrip™ is that they offer a wider grip range than traditional blind rivets assisting the users in inventory reduction and part consolidation efforts. The CT series has excellent hole fill ability and strength as compared to standard blind rivets and RT series MultiGrips™. TS-16949 produced and when applicable on steel, trivalent zinc plated for ROHS and GMW3044 compliance.



RIVET: STEEL TRIVALENT ZINC PLATED
MANDREL: STEEL TRIVALENT ZINC PLATED

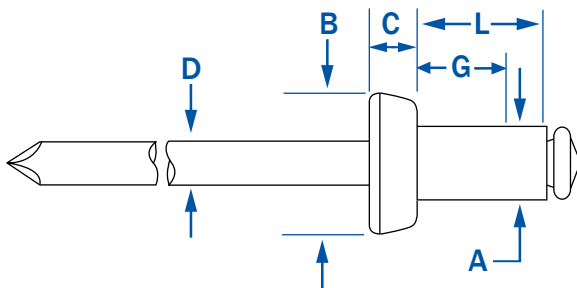


SPECIAL BLIND RIVETS

HEAD STYLE	PART NUMBER	RIVET SIZE	GRIP RANGE		LENGTH	HEAD DIA	HEAD HEIGHT	MANDREL DIA	HOLE SIZE	SHEAR	TENSILE
			MIN - MAX	MAX	NOM.	NOM.	NOM.	MIN - MAX	LBS.F	LBS.F	
DOME HEAD	SBS - 41 - 43MG	1/8"	.043 - .250		.355	.283	.033	.057	.129 - .133 (#30)	340	385
	SBS - 42 - 44MG		.125 - .250		.407						
	SBS - 52 - 53MG	5/32"	.056 - .196		.433	.319	.047	.108	.160 - .164 (#20)	440	530
	SBS - 62 - 63MG	3/16"	.062 - .187		.405	.386	.069	.133	.192 - .196 (#11)	450	787
	SBS - 63 - 64MG		.125 - .250		.511						

RIVETKING® QUIKSNAP®

NICKEL PLATED BRASS HEAD/ STAINLESS MANDREL



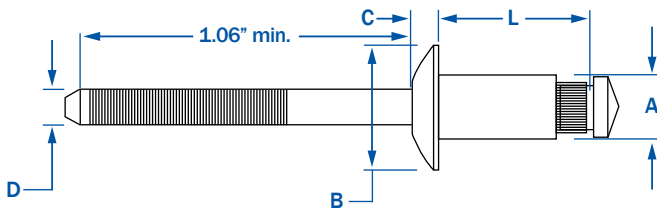
The innovative RivetKing® Quick-Snap™ is the ideal companion to the standard canvas snap used on truck bodies, convertibles, boats, cars and many other applications. The snap head is brass, with a bright nickel plating. The mandrel is stainless steel. Requires T105-734 Nosepiece.

The extract force is a minimum of 5 lbs.

RIVET SIZE	HOLE SIZE AND	MANDREL DIA.	FLANGE DIA.	HEAD HEIGHT	BARREL LENGTH	PART NUMBER	GRIP RANGE	TYPICAL ULTIMATE STRENGTH		CARTON	
	DRILL NO.	NOM.	NOM.	MAX.	MAX.			SHEAR LBS	TENSILE LBS	QTY. M	WT. LBS
1/8"	.129-.133	.076	.395	.170	.337	B/SS43SH	.020-.087	.260	.310	10	43
3.2	#30				.525	B/SS46SH	.188-.375			10	49

Special nose piece required.





The RKQ® offers is self plugging and offers an interference fit between the knurled mandrel, the rivet body and the hole diameter of the work piece. Its self plugging properties insure that the mandrel is locked within the shear plane which results in superior shear and tensile strength. The RKQ® has a grooved, rattle resistant mandrel which breaks flush with the head in the ideal grip range.

AVAILABLE IN STEEL *, STAINLESS STEEL AND ALUMINUM
 *Steel Parts are plated with clear trivalent zinc
 Per IFI-119



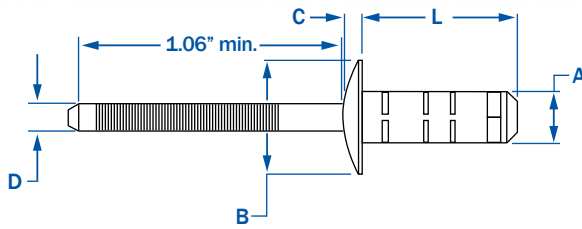
MATERIAL	HEAD STYLE	PART NUMBER	A		L		B		C		D	
			RIVET SIZE	GRIP RANGE	LENGTH	HEAD DIA	HEAD HEIGHT	MANDREL DIA	HOLE SIZE	SHEAR	TENSILE	
				MIN - MAX	MAX	NOM.	NOM.	NOM.	MIN. - MAX.	LBS.F	LBS.F	
STEEL	DOME	SBQ - 42	1/8"	.063 - .125	.275	.250	.040	.074	.129 - .133 (#30)	450	350	
		SBQ - 43		.094 - .187	.337							
		SBQ - 44		.126 - .250	.400							
		SBQ - 52	5/32"	.062 - .125	.300	.312	.050	.095	.160 - .164 (#20)	525	500	
		SBQ - 54		.126 - .250	.425							
		SBQ - 56		.251 - .375	.550							
		SBQ - 62	3/16"	.062 - .125	.325	.375	.060	.059	.192 - .196 (#11)	900	700	
		SBQ - 64		.126 - .250	.450							
		SBQ - 66		.251 - .375	.575							
		SBQ - 68		.376 - .500	.700							
SBQ - 68	.376 - .500	.700										
STAINLESS STEEL	DOME	FBQ - 42	1/8"	.063 - .125	.275	.250	.040	.074	.129 - .133 (#30)	550	530	
		FBQ - 43		.094 - .187	.337							
		FBQ - 44		.126 - .250	.400							
		FBQ - 52	5/32"	.062 - .125	.300	.312	.050	.095	.160 - .164 (#20)	850	820	
		FBQ - 54		.126 - .250	.425							
		FBQ - 56		.251 - .375	.550							
		FBQ - 62	3/16"	.062 - .125	.325	.375	.060	.059	.192 - .196 (#11)	1325	1200	
		FBQ - 64		.126 - .250	.450							
		FBQ - 66		.251 - .375	.575							
		FBQ - 68		.376 - .500	.700							
FBQ - 68	.376 - .500	.700										
ALUMINUM	DOME	ABQ - 42	1/8"	.063 - .125	.275	.250	.040	.074	.129 - .133 (#30)	220	180	
		ABQ - 43		.094 - .187	.337							
		ABQ - 44		.126 - .250	.400							
		ABQ - 52	5/32"	.062 - .125	.300	.312	.050	.095	.160 - .164 (#20)	340	300	
		ABQ - 54		.126 - .250	.425							
		ABQ - 56		.251 - .375	.550							
		ABQ - 62	3/16"	.062 - .125	.325	.375	.060	.059	.192 - .196 (#11)	480	400	
		ABQ - 64		.126 - .250	.450							
		ABQ - 66		.251 - .375	.575							
		ABQ - 68		.376 - .500	.700							
ABQ - 68	.376 - .500	.700										



RIVETKING® RIVEX®

THE FOLLOWING PRODUCT IS COVERED UNDER THE FOLLOWING PATENT/TRADENAME: 3,504,672

HIGH STRENGTH MULTIGRIP™



The Rivex® is an advanced MultiGrip™ with increased performance and functionality as compared to standard steel MultiGrip™ rivets. It is also the only MultiGrip™ that is offered in stainless steel. Rivex® rivets consist of a wider grip range and a higher shear and tensile strength. The Rivex® rivet contains an easy entry mandrel head that is grooved and blunt pointed. Its design is rattle resistant and will break flush with the head in the ideal grip range. Its virtual closed end and flush mandrel break makes this rivet leak resistant.

AVAILABLE IN STEEL* AND STAINLESS STEEL
 * Steel Parts are plated with clear trivalent zinc



SPECIAL BLIND RIVETS

MATERIAL	HEAD STYLE	PART NUMBER	A	GRIP RANGE	L	B	C	D	HOLE SIZE	SHEAR 1	SHEAR 2	TENSILE
			RIVET SIZE		LENGTH	HEAD DIA	HEAD HEIGHT	MANDREL DIA		STEM IN SHEAR PLANE	STEM OUTSIDE SHEAR PLANE	
				MIN. - MAX.	MAX.	MAX.	MAX.	MAX.	MIN. - MAX.	LBS.F	LBS.F	LBS.F
STEEL	DOME	SBS - 0414 - RVX	1/8"	.040 - .276	.560	.300	.044	.087	.129 - .133	293	225	315
		SBS - 0516 - RVX	5/32"	.079 - .315	.620	.330	.060	.110	.161 - .165	518	338	450
		SBS - 0612 - RVX	3/16"	.059 - .200	.480	.398	.063	.118	.193 - .197	945	608	653
		SBS - 0614 - RVX		.059 - .250	.540							
		SBS - 0618 - RVX		.059 - .375	.670							
		SBS - 0622 - RVX		.251 - .500	.791							
		SBS - 4844 - RVX	1/4"	.059 - .201	.480	.516	.106	.158	.260 - .272	1508	698	810
STEEL	LARGE FLANGE	SBS - 0614LF - RVX	3/16"	.059 - .250	.540	.638	.083	.118	.193 - .197	945	608	653
		SBS - 0618LF - RVX		.059 - .375	.670							
		SBS - 0622LF - RVX		.251 - .500	.791							
STEEL	C'SUNK	SCS - 0614 - RVX	3/16"	.059 - .250	.540	.346	.055	.118	.193 - .197	945	608	653
		SCS - 0618 - RVX		.059 - .375	.670							
		SCS - 0622 - RVX		.251 - .500	.792							
STAINLESS STEEL	DOME	FBF - 0612 - RVX	3/16"	.059 - .200	.480	.398	.063	.118	.193 - .197	945	608	653
		FBF - 0614 - RVX		.059 - .250	.540							
		FBF - 0618 - RVX		.059 - .375	.670							
		FBF - 0622 - RVX		.251 - .500	.791							

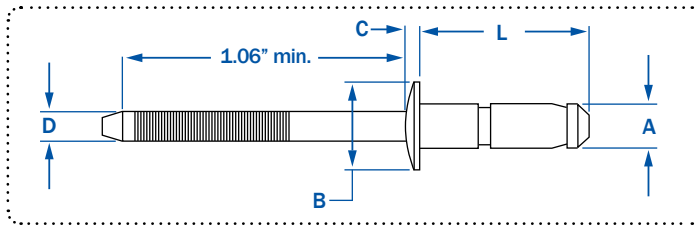


RIVETKING® RIVINOX®

THE FOLLOWING PRODUCT IS COVERED UNDER THE FOLLOWING PATENT/TRADENAME 3,504,634

STAINLESS STEEL • HIGH SHEAR • REAR FLANGE RIVET

SPECIAL BLIND RIVETS



The Rivinox® rivet provides for an aesthetic secondary rear flange at the back side of the application. Perfect for thin sheet metals or plastics where rivet pull through is of concern. The mandrel will break nearly flush with the head and contains a locked mandrel to prevent vibration. 18-8 stainless steel constructions provides a corrosion resistant joint.

RIVET: 18-8 STAINLESS
MANDREL: 18-8 STAINLESS



PART NUMBER	RIVET SIZE	GRIP RANGE		LENGTH	HEAD DIA	HEAD HEIGHT	MANDREL DIA	HOLE SIZE	SHEAR	TENSILE
		MIN - MAX	NOM.	MAX.	MAX.	NOM.	MIN - MAX	LBS.F	LBS.F	
FBF - 0408 /RIVINOX	1/8"	.040 - .118	.350	.250	.043	.082	.129 - .134	719	450	
FBF - 0411 /RIVINOX		.118 - .197	.450							
FBF - 0414 /RIVINOX		.197 - .276	.540							
FBF - 0509 /RIVINOX	5/32"	.039 - .118	.400	.312	.060	.104	.161 - .169	1169	899	
FBF - 0512 /RIVINOX		.118 - .197	.480							
FBF - 0516 /RIVINOX		.197 - .276	.600							
FBF - 0611 /RIVINOX	3/16"	.059 - .138	.510	.375	.070	.127	.193 - .201	1236	1124	
FBF - 0614 /RIVINOX		.138 - .236	.610							
FBF - 0618 /RIVINOX		.236 - .335	.730							

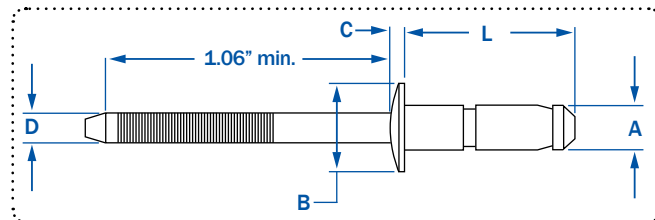


SPECIAL SIZES AVAILABLE ON REQUEST

RIVETKING® RIVIBULB®

THE FOLLOWING PRODUCT IS COVERED UNDER THE FOLLOWING PATENT/TRADENAME 3,666,122

ALL STEEL • HIGH SHEAR • REAR FLANGE RIVET



The Rivibulb® rivet provides for an aesthetic secondary rear flange at the back side of the application. Perfect for thin sheet metals or plastics where rivet pull through is of concern. The mandrel will break nearly flush with the head and contains a locked mandrel to prevent vibration. Trivalent Zinc Plated for ROHS compliance.

RIVET: C-1010 STEEL, TRIVALENT ZINC CLEAR PLATED
MANDREL: HIGH CARBON STEEL, TRIVALENT ZINC PLATED



PART NUMBER	RIVET SIZE	GRIP RANGE		LENGTH	HEAD DIA	HEAD HEIGHT	MANDREL DIA	HOLE SIZE	SHEAR	TENSILE
		MIN - MAX	NOM.	MAX.	MAX.	NOM.	MIN - MAX	LBS.F	LBS.F	
SBS - 0408 /RVB	1/8"	.039 - .118	.360	.268	.055	.083	.129 - .134	270	292	
SBS - 0411 /RVB		.118 - .197	.461							
SBS - 0414 /RVB		.197 - .276	.551							
SBS - 0509 /RVB	5/32"	.039 - .118	.410	.315	.059	.102	.161 - .169	539	629	
SBS - 0512 /RVB		.118 - .197	.510							
SBS - 0516 /RVB		.197 - .276	.620							
SBS - 0611 /RVB	3/16"	.059 - .138	.480	.378	.059	.126	.193 - .201	809	855	
SBS - 0614 /RVB		.138 - .236	.580							
SBS - 0618 /RVB		.236 - .335	.695							
SBS - M6X10 /RVB	6mm	.060 - .156	.413	.472	.078	.156	.240 - .248	945	1215	
SBS - M6X13 /RVB		.118 - .236	.532							
SBS - M6X16 /RVB		.236 - .354	.650							
SBS - M6X19 /RVB		.354 - .472	.768							



SPECIAL SIZES AVAILABLE ON REQUEST



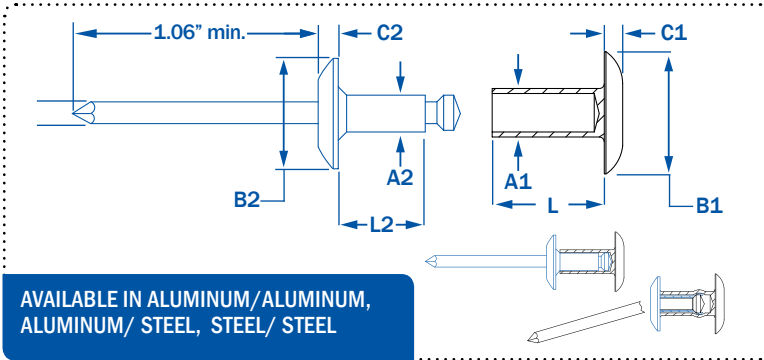
RIVETKING® CHECKMATE®

THE FOLLOWING PRODUCT IS COVERED UNDER THE FOLLOWING PATENT/TRADEMARK 3,504,664

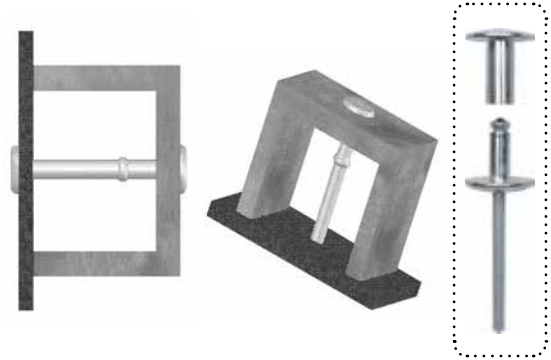
2 PIECE RIVET • MALE/FEMALE

SPECIAL BLIND RIVETS

The RivetKing® Checkmate® is the only breakstem permanent fastener to have near flush and aesthetically appealing installation on both sides. A true head on both sides of the rivet. This rivet is offered in extended lengths and has one of the longest grip ranges available.



AVAILABLE IN ALUMINUM/ALUMINUM, ALUMINUM/STEEL, STEEL/STEEL



NOM. BODY DIA.	PART CODE	GRIP RANGE		LENGTH MAX.	FEMALE COMPONENT			MALE COMPONENT			L2
		MIN.	MAX.		FEMALE DIA. A1	HEAD DIA. B1	HEAD HEIGHT C1	MALE DIA. A2	HEAD DIA. B2	HEAD HEIGHT C2	
3/16"	6 - 12 - CM	0.625	0.750	0.585	0.187	0.375	0.060	.125	.375	.060	.525
	6 - 14 - CM	0.687	0.875	0.647							
	6 - 17 - CM	0.875	1.062	0.825							
	6 - 20 - CM	1.062	1.250	1.012							
	6 - 23 - CM	1.250	1.437	1.200							
	6 - 26 - CM	1.437	1.625	1.387							
	6 - 29 - CM	1.625	1.812	1.575							
	6 - 32 - CM	1.812	2.000	1.762							
	6 - 35 - CM	2.000	2.187	1.950							
1/4"	8 - 12 - CM	0.625	0.750	0.580	0.250	0.625	.100	0.187	.625	.100	.608
	8 - 14 - CM	0.750	0.875	0.695							
	8 - 18 - CM	0.875	1.125	0.820							
	8 - 22 - CM	1.125	1.375	1.070							
	8 - 26 - CM	1.375	1.625	1.320							
	8 - 30 - CM	1.625	1.875	1.570							
	8 - 34 - CM	1.875	2.125	1.820							
	8 - 38 - CM	2.125	2.375	2.070							
	8 - 42 - CM	2.375	2.625	2.320							
	8 - 46 - CM	2.625	2.875	2.570							
	8 - 50 - CM	2.875	3.125	2.820							
	8 - 54 - CM	3.125	3.375	3.070							
	8 - 58 - CM	3.375	3.625	3.320							
	8 - 62 - CM	3.625	3.875	3.570							

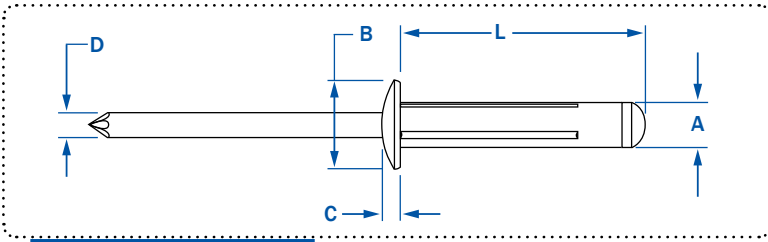
MATERIALS	
ALL STEEL	SBS
ALL ALUMINUM	ABA
ALUMINUM STEEL	ABS

INSTALLED VALUES				
INSTALLED VALUES IN NOMINAL GRIP (lbs.)				
RIVET/MANDREL/TUBULAR COMPONENT:				
		ALUM/ALUM/ALUM	STEEL/STEEL/STEEL	ALUM/STEEL/ALUM
3/16"	TENSILE	100	200	300
1/4"	TENSILE	200	350	450

RIVETKING® TRIFIX™

ALL ALUMINUM • TRI-FOLDING RIVET

SPECIAL BLIND RIVETS



RIVET: ALUMINUM
MANDREL: ALUMINUM

Perfect for inconsistent grip ranges or oversize out-of-round holes that are typical in plastics. RivetKing® Trifix™ is designed to work like a moly-bolt in that it splits out into three legs at the backside. Its extended bearing surface spreads the load over a wider area to prevent pullout in plastics or other similar soft or thin sheet materials. Bright polished and stocked in white, black and almond colors.



STOCK COLORS



HEAD STYLE	PART NUMBER	RIVET SIZE	GRIP RANGE		LENGTH	HEAD DIA	HEAD HEIGHT	MANDREL DIA	HOLE SIZE	SHEAR	TENSILE
			MIN - MAX	REF.	NOM.	NOM.	NOM.	MIN - MAX	TYPICAL LBS.F	TYPICAL LBS.F	
DOME HEAD	ABL - 0516	5/32"	.040 - .118	.605	.315	.032	.094	.165 - .178	134	224	
	ABL - 0523		.040 - .275	.810							
	ABL - 0530		.157 - .472	1.070							
	ABL - 0619	3/16"	.040 - .157	.684	.386	.062	.114	.196 - .209	202	269	
	ABL - 0625		.040 - .354	.906							
	ABL - 0630		.157 - .472	1.070							
	ABL - 0640		.157 - .625	1.200							
LARGE FLANGE	ABL - 0523LF	5/32"	.040 - .275	.810	.472	.055	.094	.165 - .178	134	224	
	ABL - 0625LF14	3/16"	.040 - .354	.906	.551	.062	.114	.196 - .209	202	269	
	ABL - 0625LF16				.625	.070					
PAINTED DOME HEAD	ABL - 0523/ BA	5/32"	.040 - .275	.810	.315	.032	.094	.165 - .178	134	224	
	ABL - 0625/ WHT	3/16"	.040 - .354	.906	.386	.386	.114	.196 - .209	202	269	
	ABL - 0625/ ALM										
	ABL - 0625/ BA										
	ABL - 0630/ WHT	3/16"	.157 - .472	1.070	.386	.386	.114	.196 - .209	202	269	
	ABL - 0630/ ALM										
ABL - 0630/ BA											



Sample color of the TriFix™



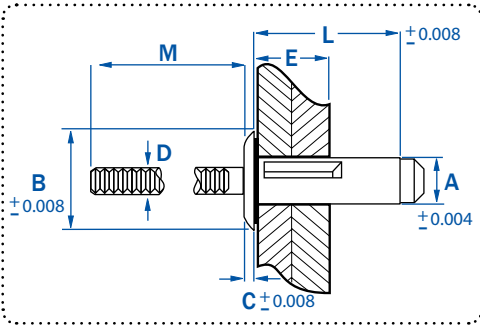
* Can color match to Pantone, RAL or sample upon request.



RIVETKING® SUPER TRIFIX™

ALL ALUMINUM • HIGH STRENGTH TRI-FOLDING RIVET

SPECIAL BLIND RIVETS



The Super Trifix™ is designed for use in thin sheet metal or soft materials where strength of the riveted joint is of concern. Typically used in repair and replacement of solid rivets in truck bodies, these rivets offer superior shear and tensile strength then that of the standard Tri-Fix™. The mandrel stays within the shear plane and breaks flush with the head. A neoprene washer is affixed under the head to make a weather tight seal. Due to the externally locked mandrel, a special nose piece is required for the installation tool.

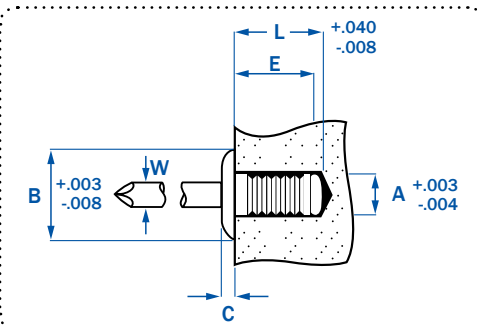


PART NUMBER	RIVET SIZE	LENGTH	HEAD DIA	HEAD HEIGHT	MANDREL DIA	OVERALL LENGTH	GRIP RANGE	HOLE SIZE	SHEAR	TENSILE
									LBS. F	LBS. F
ABL0623/ STFX	3/16"	.807 (20.5)	.449 (11.4)	.079 (2.00)	.122 (3.10)	.935 (23.75)	.012 - .197 (0.5 - 5.0)	.209 - .220 (5.30 - 5.60)	733	427
ABL0633/ STFX	(5.2)*	1.043 (26.5)				1.171 (29.75)	.177 - .433 (4.5 - 11.0)			

*3/16"

These rivets are made according to a DIN standard in which the body diameter is actually .205 (5.2mm). The 3/16" inch designation has been applied as a reference only as the actual rivet is .205 diameter. Please insure the hole design is .208 - .221 to accommodate the rivet.

RIVETKING® GROOVED RIVETS™



Grooved Rivets are designed to be installed within a hole made of a fibered material such as wood and some low-medium density plastics. When set properly, the annular rings of the grooved rivet will bite into the wood or plastic and will radially expand within the hole. Keep in mind, this rivet is designed to expand within a hole and not at the rear side like most blind rivets. Only one fibered material is necessary as long as it is the final substrate. Other materials can be fastened to wood products as long as it is between the head and the wood. In this case be sure there is enough material thickness of the fiber material so the rivet can seat properly.

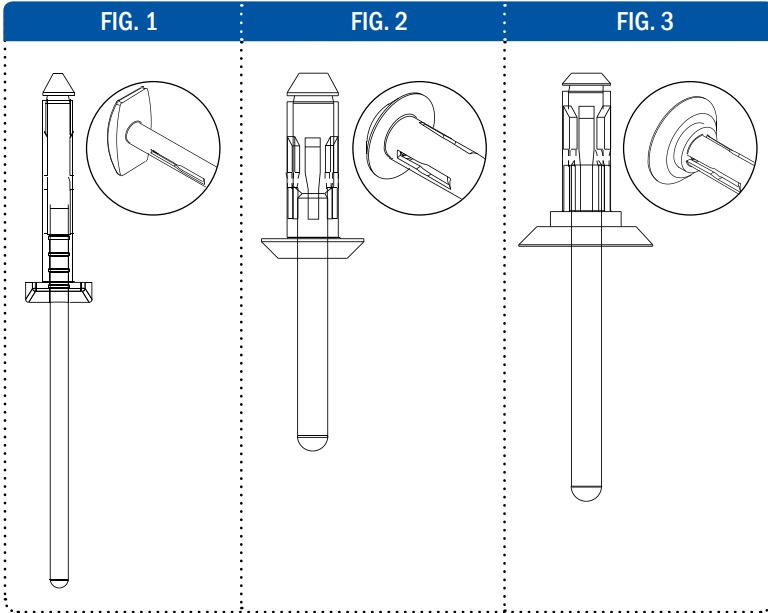
RIVET: ALUMINUM
MANDREL: STEEL, TRIVALENT ZINC PLATED



RIVET DIA.	PART NUMBER	GRIP RANGE	LENGTH	HEAD DIA	HEAD HEIGHT	MANDREL DIA	SHEAR	TENSILE
1/8"	ABSM3.2X6/GROOVED	.039	.236	.256	.031	.071	134	180
	ABSM4.0X8/GROOVED	.157	.315					
5/32"	ABSM4.0X12/GROOVED	.236	.472	.315	.039	.087	202	315
	ABSM4.0X16/GROOVED	.315	.630					
3/16"	ABSM4.8X8/GROOVED	.157	.315	.374	.043	.108	360	585
	ABSM4.8X10/GROOVED	.236	.394					
	ABSM4.8X12/GROOVED	.315	.472					
	ABSM4.8X14/GROOVED	.394	.551					
	ABSM4.8X18/GROOVED	.512	.709					
	ABSM4.8X21/GROOVED	.591	.827					
	ABSM4.8X24/GROOVED	.787	.945					

RIVETKING® PLASTIC TRIFIX® RIVETS

SPECIAL BLIND RIVETS

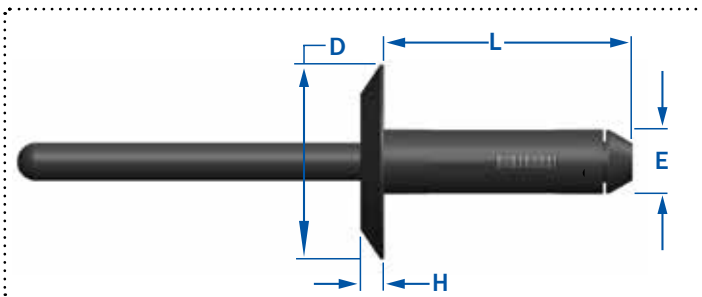


Plastic TRIFIX® Rivets are typically used to fasten fabric composites for automotive interiors panels. Produced of black Supertough Nylon and Acetal grade, the TriFix® has been tested for shear/tensile strength and can withstand vibration for the life of the fastener. Other industrial applications include fastening plastics, metal, fiberglass, plastic composites, fabric, and glass. Plastic fasteners are non-conductive, non-corrosive and contain UV inhibitor layer to prevent UV light deterioration.

RIVETS CAN BE SET WITH THE **NEW RK-PL** (TOOL SHOWN)



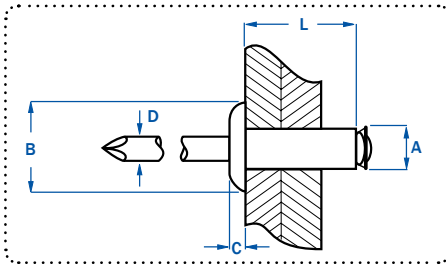
PART NUMBER	D		H		E	L	HOLE SIZE	HEAD STYLE	REF. DRAWING	SHEAR	TENSILE
	RIVET DIAMETER		HEAD DIAMETER		HEAD HEIGHT	LENGTH					
	NOMINAL	GRIP RANGE	NOMINAL	NOMINAL	MAX.						
	INCH	(METRIC)	INCH	(METRIC)	INCH	(METRIC)	INCH	(METRIC)	LBSF (N)	LBSF (N)	
APL-R286	0.154 (3.91)	.236 - .419 (6.0 - 10.6)	.315 (8.0)	.098 (2.5)	1.024 (26.0)	0.156 (4.0)	Rectangle	Fig. 1	40 (177)	82 (364)	
APL-D305	0.195 (4.95)	.059 - .177 (1.5 - 4.5)	.472 (12.0)	.130 (3.3)	.728 (18.5)	0.197 (5.0)	Protruding	Fig.2	68 (302)	120 (533)	
APL-D236	0.195 (4.95)	.118 - .236 (3.0 - 6.0)	.472 (12.0)	.071 (1.8)	.787 (20.0)	0.197 (5.0)	Protruding	Fig.2	68 (302)	120 (533)	
APL-D177	0.195 (4.95)	.118 - .177 (3.0 - 4.5)	.472 (12.0)	.071 (1.8)	.787 (20.0)	0.197 (5.0)	Protruding	Fig.2	68 (302)	120 (533)	
APL-D308	0.195 (4.95)	.236 - .394 (6.0 - 10.0)	.472 (12.0)	.071 (1.8)	.984 (25.0)	0.197 (5.0)	Protruding	Fig.2	68 (302)	120 (533)	
APL-D309	0.195 (4.95)	.118 - .157 (3.0 - 4.0)	.354 (9.0)	.071 (1.8)	.650 (16.5)	0.197 (5.0)	Protruding	Fig.2	68 (302)	120 (533)	
APL-D330	0.234 (5.94)	.157 - .335 (4.0 - 8.5)	.512 (13.0)	.098 (2.5)	1.102 (28.0)	0.236 (6.0)	Protruding	Fig.2	110 (489)	181 (805)	
APL-L349	0.246 (6.25)	.157 - .236 (4.0 - 6.0)	.669 (17.0)	.098 (2.5)	.709 (18.0)	0.250 (6.35)	Protruding	Fig.2	121 (538)	194 (862)	
APL-L350	0.246 (6.25)	.157 - .394 (4.0 - 10.0)	.669 (17.0)	.098 (2.5)	1.102 (28.0)	0.250 (6.35)	Protruding	Fig.2	121 (538)	194 (862)	
APL-L351	0.246 (6.25)	.157 - .394 (4.0 - 10.0)	.512 (13.0)	.098 (2.5)	1.102 (28.0)	0.250 (6.35)	Protruding	Fig.2	121 (538)	194 (862)	
APL-C353	0.246 (6.25)	.028 - .193 (0.7 - 4.9)	.670 (17.0)	.098 (2.5)	.682 (17.4)	0.250 (6.35)	Protruding	Fig.2	121 (538)	194 (862)	
APL-C354	0.246 (6.25)	.028 - .178 (0.7 - 4.5)	.670 (17.0)	.098 (2.5)	.682 (17.4)	0.250 (6.35)	Countersunk	Fig.3	121 (538)	194 (862)	
APL-D385	0.258 (6.55)	.098 - .197 (2.5 - 5.0)	.512 (13.0)	.098 (2.5)	.787 (20.0)	0.260 (6.6)	Countersunk	Fig.3	137 (609)	219 (974)	
APL-L386	0.258 (6.55)	.098 - .197 (2.5 - 5.0)	.709 (18.0)	.098 (2.5)	.787 (20.0)	0.26 (6.6)	Protruding	Fig.2	137 (609)	219 (974)	



RIVETKING® PLR™ RIVET

ALUMINUM/ STEEL

SPECIAL BLIND RIVETS



RivetKing® PLR™ Rivet work great in plastic and soft materials with out of round holes. The rivet is scored by the mandrel and split into three parts. TS-16949 produced and when applicable on steel, trivalent zinc plated for ROHS and GMW3044 compliance.

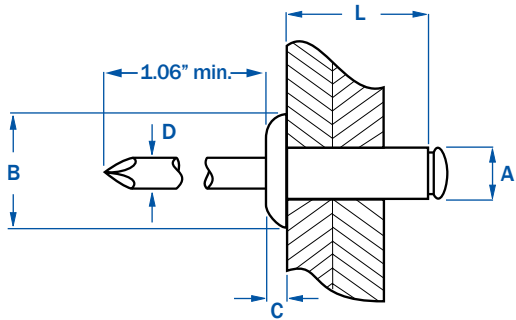


RIVET SIZE	PART NUMBER	GRIP RANGE MAX.	A		B		C	L		HOLE SIZE	SHEAR	TENSILE
			SHANK DIAMETER		HEAD DIAMETER		HEAD HEIGHT	LENGTH				
			MIN.	MAX.	MIN.	MAX.	MAX.	MIN.	MAX.			
1/8"	ABSM3.2X8/PLR	.138	.121	.129	.229	.264	.051	.315	.354	.129	225	270
	ABSM3.2X10/PLR	.197	.121	.129	.229	.264	.051	.394	.433			
	ABSM3.2X12/PLR	.275	.121	.129	.229	.264	.051	.472	.511			
	ABSM3.2X14/PLR	.354	.121	.129	.229	.264	.051	.551	.590			
	ABSM3.2X16/PLR	.433	.121	.129	.229	.264	.051	.630	.669			
ABSM3.2X18/PLR	.512	.121	.129	.229	.264	.051	.709	.748				
5/32"	ABSM4X8/PLR	.157	.152	.158	.272	.331	.067	.315	.354	.165	324	325
	ABSM4X10/PLR	.236	.152	.158	.272	.331	.067	.394	.433			
	ABSM4X12/PLR	.315	.152	.158	.272	.331	.067	.472	.511			
	ABSM4X14/PLR	.393	.152	.158	.272	.331	.067	.551	.590			
	ABSM4X16/PLR	.479	.152	.158	.272	.331	.067	.630	.669			
	ABSM4X18/PLR	.551	.152	.158	.272	.331	.067	.709	.748			
	ABSM4X20/PLR	.630	.152	.158	.272	.331	.067	.787	.826			
ABSM4X25/PLR	.826	.152	.158	.272	.331	.067	.984	1.023				
3/16"	ABSM4.8X10/PLR	.197	.183	.193	.327	.398	.079	.394	.433	.196	405	353
	ABSM4.8X12/PLR	.275	.183	.193	.327	.398	.079	.472	.511			
	ABSM4.8X14/PLR	.354	.183	.193	.327	.398	.079	.551	.590			
	ABSM4.8X16/PLR	.433	.183	.193	.327	.398	.079	.630	.669			
	ABSM4.8X18/PLR	.512	.183	.193	.327	.398	.079	.709	.748			
	ABSM4.8X21/PLR	.630	.183	.193	.327	.398	.079	.827	.865			
	ABSM4.8X24/PLR	.748	.183	.193	.327	.398	.079	.945	.984			
	ABSM4.8X27/PLR	.866	.183	.193	.327	.398	.079	1.063	1.102			
	ABSM4.8X30/PLR	.984	.183	.193	.327	.398	.079	1.181	1.220			
	ABSM4.8X32/PLR	1.063	.183	.193	.327	.398	.079	1.260	1.248			
	ABSM4.8X35/PLR	1.181	.183	.193	.327	.398	.079	1.378	1.417			
	ABSM4.8X40/PLR	1.260	.183	.193	.327	.398	.079	1.575	1.614			
	ABSM4.8X45/PLR	1.456	.183	.193	.327	.398	.079	1.772	1.810			
ABSM4.8X51/PLR	1.653	.183	.193	.327	.398	.079	1.968	2.007				
5MM	ABSM5X40/PLR	1.260	.193	.201	.342	.413	.079	1.575	1.614	.204	450	472
	ABSM5X45/PLR	1.456	.193	.201	.342	.413	.079	1.772	1.810			
	ABSM5X50/PLR	1.653	.193	.201	.342	.413	.079	1.968	2.007			
	ABSM5X55/PLR	1.850	.193	.201	.342	.413	.079	2.165	2.204			
	ABSM5X60/PLR	2.047	.193	.201	.342	.413	.079	2.362	2.401			
	ABSM5X65/PLR	2.244	.193	.201	.342	.413	.079	2.559	2.598			
	ABSM5X70/PLR	2.440	.193	.201	.342	.413	.079	2.756	2.795			
	ABSM5X75/PLR	2.677	.193	.201	.342	.413	.079	2.952	2.991			
	ABSM5X80/PLR	2.834	.193	.201	.342	.413	.079	3.149	3.188			
	ABSM5X90/PLR	3.149	.193	.201	.342	.413	.079	3.543	3.582			
	ABSM5X100/PLR	3.543	.193	.201	.342	.413	.079	3.937	3.976			
	ABSM5X110/PLR	3.937	.193	.201	.342	.413	.079	4.330	4.369			
	ABSM5X120/PLR	4.330	.193	.201	.342	.413	.079	4.724	4.763			
	ABSM5X130/PLR	4.724	.193	.201	.342	.413	.079	5.118	5.157			
	ABSM5X140/PLR	5.119	.193	.201	.342	.413	.079	5.512	5.551			
	ABSM5X150/PLR	5.511	.193	.201	.342	.413	.079	5.905	5.944			
	ABSM5X160/PLR	5.905	.193	.201	.342	.413	.079	6.299	6.338			
ABSM5X170/PLR	6.299	.193	.201	.342	.413	.079	6.693	6.732				
ABSM5X180/PLR	6.692	.193	.201	.342	.413	.079	7.086	7.125				
ABSM5X190/PLR	7.086	.193	.201	.342	.413	.079	7.480	7.519				
1/4"	ABSM6.4X35/PLR	1.181	.246	.256	.457	.528	.106	1.378	1.417	.260	550	786
	ABSM6.4X50/PLR	1.653	.246	.256	.457	.528	.106	1.968	2.007			
	ABSM6.4X80/PLR	2.834	.246	.256	.457	.528	.106	3.149	3.188			
	ABSM6.4X100/PLR	3.543	.246	.256	.457	.528	.106	3.937	3.976			
	ABSM6.4X120/PLR	4.330	.246	.256	.457	.528	.106	4.724	4.763			
	ABSM6.4X150/PLR	5.511	.246	.256	.457	.528	.106	5.905	5.944			
	ABSM6.4X175/PLR	6.496	.246	.256	.457	.528	.106	6.890	6.928			
ABSM6.4X200/PLR	7.480	.246	.256	.457	.528	.106	7.874	7.913				

RIVETKING® LONG LENGTH RIVET

ALUMINUM/ STEEL LONG LENGTH BLIND RIVETS DOME HEAD

SPECIAL BLIND RIVETS



Long length blind rivets are used in areas that require a thick grip range that goes beyond standard sizes. Used in insulation, roofing or other industrial extended grip, blind side applications.



RIVET: ALUMINUM
MANDREL: STEEL, TRIVALENT ZINC PLATED

PART NUMBER	A	GRIP RANGE MIN-MAX	L	B	C	D	HOLE SIZE MAX	SHEAR LBS.	TENSILE LBS.
	RIVET SIZE		LENGTH MAX	HEAD DIA NOM.	HEAD HEIGHT NOM.	MANDREL DIA NOM.			
01050004035	5/32"	1.02 - 1.25	1.38	.300	.047	.083	.161	180	220
01050004040									
01050005040									
01050005045									
01050005050									
01050005055									
01050005060									
01050005065									
01050005070									
01050005075									
01050005080									
01050005090									
010500050100									
010500050110									
010500050120	3/16" **	2.95 - 3.35	3.54	.366	.060	.108	.200	450	618
010500050130									
010500050140									
010500050150									
010500050160									
010500050170									
010500050180									
010500050190									
01050006480									
010500064100									
010500064120	1/4"	1.65 - 2.87	3.15	.512	.079	.142	2.56	550	765
010500064150									
010500064175									
010500064200									
010500064200									

3/16" **

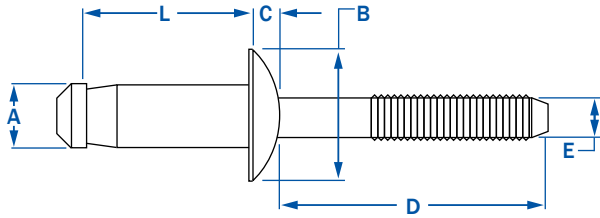
The 3/16" rivets are made according to din7337 standard in which the body diameter is actually 5mm (.196). The 3/16" inch designation has been applied as a reference only as the actual rivet is .196 diameter. Please insure the hole design is greater then .200 to accommodate the rivet.

RIVETKING® STEMLOCK®

THE FOLLOWING PRODUCT IS COVERED UNDER THE FOLLOWING PATENT/TRADENAME: 3,504,665

STRUCTURAL BLIND RIVETS • STEEL/ ALUMINUM

STRUCTURAL BLIND RIVETS



The Stemlock® is an advanced structural fastening solution that has among the highest shear and tensile values available because the mandrel is locked into the shear plane. The internal locking mechanism insures positive mandrel retention and will break flush with the head. The Stemlock® is designed to form a bearing surface flange at the rear side of the substrate. This rear flange is perfect for thin sheets or imperfect holes offering impressive clamp up forces without deforming the substrate.

AVAILABLE MATERIALS: ALL STEEL, ALL ALUMINUM DOME HEAD



RIVET SIZE	PART NUMBER	GRIP RANGE MIN. - MAX.	RIVET LENGTH MAX	STANDARD FLANGE			MANDREL DIA. DIA.	BACKSIDE CLEARANCE MIN.	SHEAR STRENGTH LBF	TENSILE STRENGTH LBF	
				A	B	C					E
				BODY DIA.	HEAD DIA. MAX.	HEAD HEIGHT MAX.					
1/4"	STMS-0812	.068 - .138	.539	.263 .271	.530	.110	N/R	.480	2,360	1,978	
	STMS-0813	.110 - .189	.590						2,698		
	STMS-0814	.132 - .211	.612						2,810		
	STMS-0815	.189 - .268	.669						2,810		
	STMS-0817	.268 - .346	.747						3,147		
	STMS-0818	.295 - .374	.775						3,372		
	STMS-0819	.346 - .425	.826						3,597		
	STMS-0821	.425 - .504	.905						3,597		
1/4"	STMA-0812	.068 - .138	.539	.263 .271	.530	.110	N/R	.480	1,124	600	
	STMA-0813	.110 - .189	.590						1,349		
	STMA-0814	.132 - .211	.612						1,394		
	STMA-0815	.189 - .268	.669						1,460		
	STMA-0817	.268 - .346	.747						1,574		
	STMA-0818	.295 - .374	.775						1,574		
	STMA-0819	.346 - .425	.826						1,574		
	STMA-0821	.425 - .504	.905						1,574		



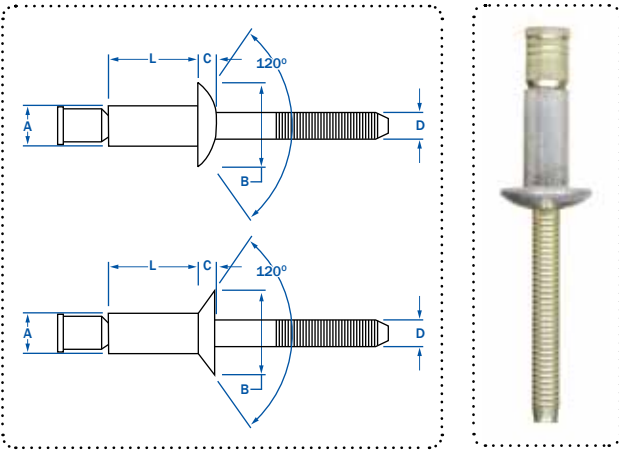
RIVETKING® TIGERBOLT®

THE FOLLOWING PRODUCT IS COVERED UNDER THE FOLLOWING PATENT/TRADENAME: 2,386,588

STRUCTURAL BLIND RIVETS • EXTERNAL LOCKING

AVAILABLE IN STEEL, ALUMINUM, AND STAINLESS STEEL

* A Special nose piece is required to set externally locked structural blind rivets.



The RivetKing® Tigerbolt® is a structural rivet with an external locking feature. This locking feature is visible after the rivet is applied. When applied, the special nose piece that is required to set the rivet creates a small expansion of a shoulder on the mandrel in a pocket located on the surface of the rivet head. The locking feature can then be inspected and confirmed to be effective during assembly. The Tigerbolt® has a stronger clamp up than the In-lock® and is tighter at minimum grip. The mandrel is retained within the shear plane yielding high strength under shear loads and the external lock insures positive mandrel retention which results in high strength under pullout loads. Typically used in the manufacturing or repair of truck bodies, the Tigerbolt® is leak resistant and has excellent clamp-up force. The Tigerbolt® has a wide grip range and is offered in two diameters and two lengths. The mandrel breaks flush with the head when applied and is set with a special nose piece.



MATERIAL	PART NUMBER	RIVET SIZE	GRIP RANGE		HEAD STYLE	LENGTH	HEAD DIA	HEAD HEIGHT	MANDREL DIA	HOLE SIZE	SHEAR	TENSILE	MANDREL PUSHOUT
			MIN. - MAX.	MAX									
ALUMINUM	ABA - 64 - TB	3/16"	.062 - .250	Dome	.416	.400	.090	.118	.194 - .204 (#10)	674	495	50	
	ABA - 67 - TB		.062 - .437	Dome	.577								
	ABA - 86 - TB	1/4"	.080 - .375	Dome	.556	.530	.117	.157	.261 - .276 (G)	1349	944	100	
	ABA - 810 - TB		.080 - .625	Dome	.847								
	ACA - 88 - TB		.125 - .500	C'sunk	.722								.420
STEEL	SBS - 64 - TB	3/16"	.062 - .250	Dome	.297	.400	.090	.118	.194 - .204 (#10)	1438	1147	100	
	SBS - 67 - TB		.062 - .437	Dome	.360								
	SBS - 86 - TB	1/4"	.080 - .375	Dome	.422	.530	.117	.157	.261 - .276 (G)	2675	2360	250	
	SBS - 810 - TB		.080 - .625	Dome	.485								
	SCS - 88 - TB		.125 - .500	C'sunk	.547								.420
STAINLESS	FBF - 64 - TB	3/16"	.062 - .250	Dome	.375	.400	.090	.118	.194 - .204 (#10)	1438	1146	100	
	FBF - 67 - TB		.062 - .437	Dome	.437								
	FBF - 86 - TB	1/4"	.080 - .375	Dome	.500	.530	.117	.157	.261 - .276 (G)	2630	2360	250	
	FBF - 810 - TB		.080 - .625	Dome	1.195								
	FCF - 88 - TB		.125 - .500	C'sunk	1.320								.420

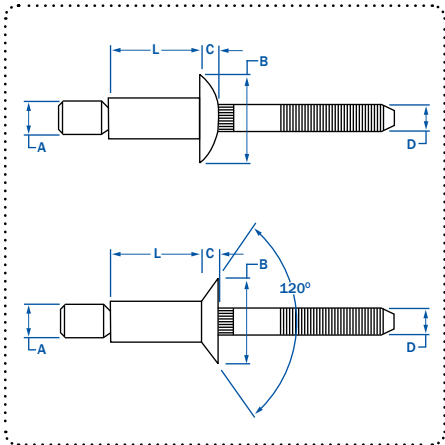


STRUCTURAL BLIND RIVETS • INTERNAL LOCKING

AVAILABLE IN STEEL, ALUMINUM, AND STAINLESS STEEL

* Any nose piece can be used. No special requirement.

COMPLIANT WITH IFI 134



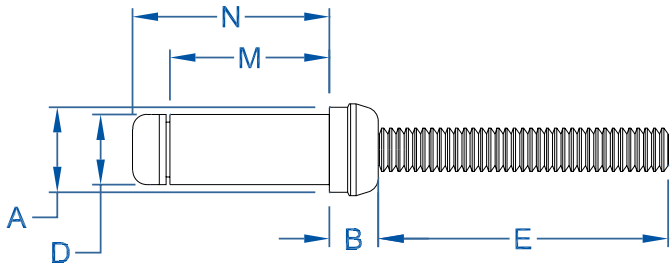
The RivetKing® In-Lock® is a structural rivet with an internal locking feature. The locking feature is not visible when the rivet is applied. The mandrel is retained within the shear plane yielding high strength under shear loads and the internal lock insures positive mandrel retention which results in high strength under pullout loads. Typically used in the manufacturing or repair of truck bodies, the In-Lock® is leak resistant and has excellent clamp-up force. The In-Lock® has a wide grip range and is offered in two diameters and two lengths. The mandrel breaks flush with the head when applied and is set without a special nose piece.

MATERIAL	PART NUMBER	A		HEAD STYLE	L		B	C	D		SHEAR	TENSILE	MANDREL PUSHOUT
		RIVET SIZE	GRIP RANGE		LENGTH	HEAD DIA.	HEAD HEIGHT	MANDREL DIA.	HOLE SIZE				
			MIN. - MAX.		MAX.	NOM.	NOM.	REF.	MIN. - MAX.	LBS.F	LBS.F	LBS.F	
ALUMINUM	ABA - 64 - STR	3/16"	.062 - .270	Dome	.415	.385	.085	.118	.191 - .201 (#10)	550	450	50	
	ABA - 67 - STR		.214 - .437	Dome	.572								
	ABA - 67E - STR		.062 - .437	Dome	.572								
	ABA - 86 - STR	1/4"	.080 - .375	Dome	.560	.525	.117	.157	.261 - .272 (G)	1270	830	100	
	ABA - 810 - STR		.350 - .625	Dome	.810								
	ABA - 810E - STR		.080 - .625	Dome	.810								
	ACA - 88 - STR	NEW!	.160 - .475	C'sunk	.660	.405	.070 Ref	.157					
	ABA - 1212 - STR	3/8"	.120 - .560	Dome	.843	.770	.177 MAX	.232	.392 - .408	2950	1900	250	
STEEL	SBS - 64 - STR	3/16"	.062 - .270	Dome	.415	.385	.085	.118	.194 - .204 (#10)	1300	1000	150	
	SBS - 67 - STR		.214 - .437	Dome	.572								
	SBS - 67E - STR		.062 - .437	Dome	.572								
	SBS - 86 - STR	1/4"	.080 - .375	Dome	.560	.525	.117	.157	.261 - .276 (G)	2400	1850	300	
	SBS - 810 - STR		.350 - .625	Dome	.810								
	SBS - 810E - STR		.080 - .625	Dome	.810								
	SCS - 88 - STR	NEW!	.160 - .475	C'sunk	.660	.405	.070 Ref.	.157					
	SBS - 1212 - STR	3/8"	.120 - .560	Dome	.843	.770	.177 MAX	.232	.392 - .408	5600	4000	650	
STAINLESS	FBF - 64 - STR	3/16"	.062 - .270	Dome	.415	.385	.090	.118	.194 - .204 (#10)	1300	1000	100	
	FBF - 67 - STR		.214 - .437	Dome	.572								
	FBF - 67E - STR		.062 - .437	Dome	.572								
	FBF - 86 - STR	1/4"	.080 - .375	Dome	.560	.525	.117	.157	.261 - .276 (G)	2400	1850	200	
	FBF - 810 - STR		.350 - .625	Dome	.810								
	FBF - 810E - STR		.080 - .625	Dome	.810								
	FCF - 88 - STR		.160 - .475	C'sunk	.660	.405	.070 Ref	.157					

RIVETKING® RIVBOLT™

THE FOLLOWING PRODUCT IS COVERED UNDER THE FOLLOWING PATENT/TRADENAME: 3,504,676

STEEL/ STEEL



The RivetKing® RivBolt™ is ideal for high strength blind precision applications. The RivetKing® RivBolt™ is engineered for the truck/trailer, HVAC, automotive, rail car and structural racking systems. The RivetKing® RivBolt™ has a high shear and tensile value with clamp up for vibration resistance.

Tamper proof easy install from one side of the application with RivetKing® RK-756 or RK-745 tools. The RivetKing® RivBolt™ will break flush in the proper grip range.

MINIMUM VALUES IN NOMINAL GRIP**

PART NUMBER	DIAMETER	GRIP RANGE	A	B	C	D	E	M	N	SHEAR	TENSILE	HOLE DIAMETER
					MAX.			REF.	MAX.			
RB6-2	3/16"	.093-.156	.276-.286	.152-.168	.015	.196-.206	.785	.376	.500	2800	1800	.208-.222
RB6-3	3/16"	.157-.219	.276-.286	.152-.168	.015	.196-.206	.785	.439	.562	2800	1800	.208-.222
RB6-4	3/16"	.220-.281	.276-.286	.152-.168	.015	.196-.206	.785	.501	.625	2800	1800	.208-.222
RB6-5	3/16"	.282-.344	.276-.286	.152-.168	.015	.196-.206	.785	.564	.687	2800	1800	.208-.222
RB6-6	3/16"	.345-.406	.276-.286	.152-.168	.015	.196-.206	.785	.626	.750	2800	1800	.208-.222
RB6-7	3/16"	.407-.469	.276-.286	.152-.168	.015	.196-.206	.785	.689	.812	2800	1800	.208-.222
RB6-8	3/16"	.470-.531	.276-.286	.152-.168	.015	.196-.206	.785	.751	.875	2800	1800	.208-.222
RB6-9	3/16"	.532-.594	.276-.286	.152-.168	.015	.196-.206	.785	.814	.937	2800	1800	.208-.222
RB6-10	3/16"	.595-.656	.276-.286	.152-.168	.015	.196-.206	.785	.876	1.000	2800	1800	.208-.222
RB6-11	3/16"	.657-.719	.276-.286	.152-.168	.015	.196-.206	.785	.939	1.062	2800	1800	.208-.222
RB6-12	3/16"	.720-.781	.276-.286	.152-.168	.015	.196-.206	.785	1.001	1.125	2800	1800	.208-.222
RB8-2	1/4"	.093-.156	.368-.380	.205-.225	.020	.262-.275	.860	.460	.620	5100	3250	.277-.292
RB8-3	1/4"	.157-.219	.368-.380	.205-.225	.020	.262-.275	.860	.523	.682	5100	3250	.277-.292
RB8-4	1/4"	.220-.281	.368-.380	.205-.225	.020	.262-.275	.860	.585	.745	5100	3250	.277-.292
RB8-5	1/4"	.282-.344	.368-.380	.205-.225	.020	.262-.275	.860	.648	.807	5100	3250	.277-.292
RB8-6	1/4"	.345-.406	.368-.380	.205-.225	.020	.262-.275	.860	.710	.870	5100	3250	.277-.292
RB8-7	1/4"	.407-.469	.368-.380	.205-.225	.020	.262-.275	.860	.773	.932	5100	3250	.277-.292
RB8-8	1/4"	.470-.531	.368-.380	.205-.225	.020	.262-.275	.860	.835	.995	5100	3250	.277-.292
RB8-9	1/4"	.532-.594	.368-.380	.205-.225	.020	.262-.275	.860	.898	1.057	5100	3250	.277-.292
RB8-10	1/4"	.595-.656	.368-.380	.205-.225	.020	.262-.275	.860	.960	1.120	5100	3250	.277-.292
RB8-11	1/4"	.657-.719	.368-.380	.205-.225	.020	.262-.275	.860	1.023	1.182	5100	3250	.277-.292
RB8-12	1/4"	.720-.781	.368-.380	.205-.225	.020	.262-.275	.860	1.085	1.245	5100	3250	.277-.292
RB10-4	5/16"	.188-.312	.468-.478	.266-.278	.025	.332-.346	1.285	.695	.875	8050	5200	.348-.368
RB10-6	5/16"	.313-.437	.468-.478	.266-.278	.025	.332-.346	1.285	.820	1.000	8050	5200	.348-.368
RB10-8	5/16"	.438-.562	.468-.478	.266-.278	.025	.332-.346	1.285	.945	1.125	8050	5200	.348-.368
RB10-10	5/16"	.563-.687	.468-.478	.266-.278	.025	.332-.346	1.285	1.070	1.250	8050	5200	.348-.368
RB10-12	5/16"	.688-.812	.468-.478	.266-.278	.025	.332-.346	1.285	1.195	1.375	8050	5200	.348-.368
RB10-14	5/16"	.813-.937	.468-.478	.266-.278	.025	.332-.346	1.285	1.320	1.500	8050	5200	.348-.368
RB10-16	5/16"	.938-1.062	.468-.478	.266-.278	.025	.332-.346	1.285	1.445	1.625	8050	5200	.348-.368
RB12-4	3/8"	.188-.312	.553-.563	.315-.327	.030	.393-.411	1.230	.766	.969	11100	7250	.413-.435
RB12-6	3/8"	.313-.437	.553-.563	.315-.327	.030	.393-.411	1.230	.891	1.094	11100	7250	.413-.435
RB12-8	3/8"	.438-.562	.553-.563	.315-.327	.030	.393-.411	1.230	1.016	1.219	11100	7250	.413-.435
RB12-10	3/8"	.563-.687	.553-.563	.315-.327	.030	.393-.411	1.230	1.141	1.344	11100	7250	.413-.435
RB12-12	3/8"	.688-.812	.553-.563	.315-.327	.030	.393-.411	1.230	1.266	1.469	11100	7250	.413-.435
RB12-14	3/8"	.813-.937	.553-.563	.315-.327	.030	.393-.411	1.230	1.391	1.594	11100	7250	.413-.435
RB12-16	3/8"	.938-1.062	.553-.563	.315-.327	.030	.393-.411	1.230	1.516	1.719	11100	7250	.413-.435
RB12-18	3/8"	1.063-1.187	.553-.563	.315-.327	.030	.393-.411	1.230	1.641	1.844	11100	7250	.413-.435
RB12-20	3/8"	1.188-1.312	.553-.563	.315-.327	.030	.393-.411	1.230	1.766	1.969	11100	7250	.413-.435

**These are minimum shear and tensile strengths, in pounds, of installed fasteners, when tested in a grip equal to or greater than one and one half the fastener diameter.



RIVETKING® COLLAR BOLT MULTI-GRIP

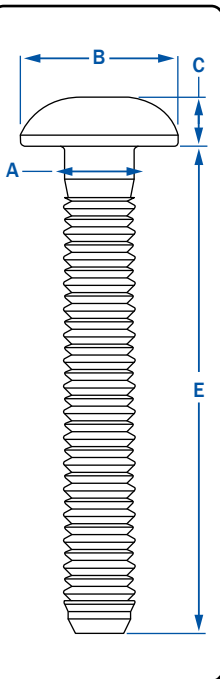
GRIPS

NOM. BODY DIA.	PART NUMBER				GRIP RANGE		LENGTH	MANDREL DIA.	MAX HOLE SIZE
	CATEGORY	HEAD	MATERIAL	DIA-GRIP	MIN.	MAX.			
3/16"	CBMRP	T	R	6 - 10	0.062	0.625	1.788	.183 - .187	0.203
	CBMGP	T	R	6 - 20	0.312	1.250	2.730		
1/4"	CBMGP	T	R	8 - 10	0.063	0.625	1.965	.245 - .249	0.265
	CBMGP	T	R	8 - 20	0.312	1.250	2.560		
5/16"	CBMGP	T	R	10 - 12	0.125	0.750	2.340	.307 - .311	0.328
	CBMGP	T	R	10 - 22	0.625	1.375	2.840		
3/8"	CBMGP	T	R	12 - 14	0.125	0.875	2.875	.369 - .375	0.390
	CBMGP	T	R	12 - 26	0.812	1.625	3.500		

HEADS

BUTTON HEAD		TRUSS HEAD		FLUSH HEAD		BROAD TRUSS HEAD		RIVET HEAD			
NOM. HEAD DIAMETER	HEAD DIAMETER	HEAD DIAMETER	HEAD HEIGHT	HEAD DIAMETER	HEAD HEIGHT	HEAD DIAMETER	HEAD HEIGHT	HEAD DIAMETER	HEAD HEIGHT	HEAD DIAMETER	HEAD HEIGHT
3/16"	10	.356 - .394	.113 - .125	N/A	N/A	.323 - .359	.092 - .102	N/A	N/A	.450 - .488	.91 - .105
	20	.356 - .394	.113 - .125	N/A	N/A	.323 - .359	.076 - .087	N/A	N/A	.450 - .488	.91 - .105
1/4"	10	.475 - .525	.136 - .152	.531 - .594	.103 - .115	.433 - .478	.119 - .128	**	.138 - .162	N/A	N/A
	20	.475 - .525	.136 - .152	.531 - .594	.103 - .115	.433 - .478	.102 - .115	**	.138 - .162	N/A	N/A
5/16"	12	.594 - .656	.181 - .201	.703 - .797	.127 - .141	.542 - .594	.149 - .162	N/A	N/A	N/A	N/A
	22	.594 - .656	.181 - .201	.703 - .797	.127 - .141	.542 - .594	.129 - .142	N/A	N/A	N/A	N/A
3/8"	14	.713 - .787	.223 - .248	.828 - .922	.152 - .168	.651 - .714	.178 - .195	1.188 - 1.25	.188 - .212	N/A	N/A
	26	.713 - .787	.223 - .248	.828 - .922	.190 - .200	.651 - .714	.153 - .170	1.188 - 1.25	.188 - .212	N/A	N/A

** STEEL .937 ALUMINUM 1.063



COLLAR DIMENSIONS

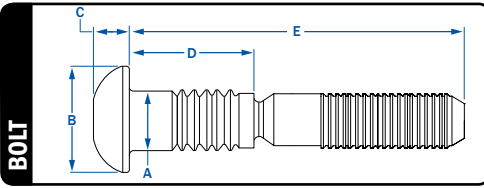
MGC		MGC-S		MGC-W		
COLLAR	DIAMETER	HOLE DIAMETER (F)	BODY DIAMETER (B)	OVERALL LENGTH (H)	HEAD HEIGHT (J)	FLANGE DIAMETER (K)
MGC	3/16"	.189 - .195	.307 - .313	.265 - .285	.040 - .052	.365 - .385
MGC	1/4"	.250 - .260	.399 - .405	.360 - .390	.055 - .070	.480 - .520
MGC	5/16"	.312 - .320	.501 - .509	.430 - .446	.069 - .086	.605 - .645
MGC	3/8"	.376 - .384	.603 - .611	.490 - .520	.086 - .100	.730 - .770
MGC-S	3/16"	.189 - .195	.308 - .315	.290 - .320	.085 - .115	.495 - .535
MGC-W	3/16"	.189 - .195	.307 - .314	.290 - .320	.090 - .115	.640 - .754
MGC-W	1/4"	.250 - .260	.399 - .405	.432 - .462	.115 - .145	.855 - 1.00

MATERIALS

NOM. BODY DIA.		STEEL (SZ)	ALUMINUM 6061 (A6)
3/16"	SHEAR	1725	750
	TENSILE	1400	900
1/4"	SHEAR	2200	1200
	TENSILE	2550	1620
5/16"	SHEAR	3000	2200
	TENSILE	3910	2500
3/8"	SHEAR	4200	3000
	TENSILE	5625	4000



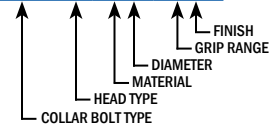
RIVETKING® COLLAR BOLT FIXED GRIP



COLLAR BOLT
Industrial Rivet's part numbers are made up of six elements which, when correctly designated, completely describe the desired rivet.

SAMPLE PART NUMBER

CBC6LT - R6 - 2G



GRIPS		PART NUMBER				GRIP RANGE		NOTCH LENGTH	OVERALL LENGTH	MAX HOLE SIZE
NOM. BODY DIA.	CATEGORY	HEAD	MATERIAL	DIA-GRIP	PLATING	MIN.	MAX.			
3/16"	CBC6L	T	R	6-2	G	0.063	0.188	0.394	1.404	0.203
	CBC6L	T	R	6-3	G	0.125	0.250	0.457	1.466	
	CBC6L	T	R	6-4	G	0.188	0.313	0.519	1.529	
	CBC6L	T	R	6-5	G	0.250	0.375	0.582	1.591	
	CBC6L	T	R	6-6	G	0.313	0.438	0.644	1.654	
	CBC6L	T	R	6-7	G	0.375	0.500	0.707	1.716	
	CBC6L	T	R	6-8	G	0.438	0.563	0.769	1.779	
	CBC6L	T	R	6-9	G	0.500	0.625	0.832	1.841	
	CBC6L	T	R	6-10	G	0.563	0.688	0.894	1.904	
	CBC6L	T	R	6-11	G	0.625	0.750	0.957	1.966	
	CBC6L	T	R	6-12	G	0.688	0.813	1.019	2.029	
	CBC6L	T	R	6-13	G	0.750	0.875	1.082	2.091	
	CBC6L	T	R	6-14	G	0.813	0.938	1.144	2.154	
	CBC6L	T	R	6-15	G	0.875	1.000	1.207	2.216	
	CBC6L	T	R	6-16	G	0.938	1.063	1.269	2.279	
	CBC6L	T	R	6-17	G	1.000	1.125	1.332	2.341	
	CBC6L	T	R	6-18	G	1.063	1.188	1.394	2.404	
	CBC6L	T	R	6-19	G	1.125	1.250	1.457	2.466	
	CBC6L	T	R	6-20	G	1.188	1.313	1.519	2.529	
1/4"	CBC6L	T	R	8-2	G	0.063	0.188	0.485	1.520	0.266
	CBC6L	T	R	8-3	G	0.125	0.250	0.548	1.583	
	CBC6L	T	R	8-4	G	0.188	0.313	0.610	1.645	
	CBC6L	T	R	8-5	G	0.250	0.375	0.673	1.708	
	CBC6L	T	R	8-6	G	0.313	0.438	0.735	1.770	
	CBC6L	T	R	8-7	G	0.375	0.500	0.798	1.833	
	CBC6L	T	R	8-8	G	0.438	0.563	0.860	1.895	
	CBC6L	T	R	8-9	G	0.500	0.625	0.923	1.958	
	CBC6L	T	R	8-10	G	0.563	0.688	0.985	2.020	
	CBC6L	T	R	8-11	G	0.625	0.750	1.048	2.083	
	CBC6L	T	R	8-12	G	0.688	0.813	1.110	2.145	
	CBC6L	T	R	8-13	G	0.750	0.875	1.173	2.208	
	CBC6L	T	R	8-14	G	0.813	0.938	1.235	2.270	
	CBC6L	T	R	8-15	G	0.875	1.000	1.298	2.333	
	CBC6L	T	R	8-16	G	0.938	1.063	1.360	2.395	
	CBC6L	T	R	8-17	G	1.000	1.125	1.423	2.458	
	CBC6L	T	R	8-18	G	1.063	1.188	1.485	2.520	
	CBC6L	T	R	8-19	G	1.125	1.250	1.548	2.583	
	CBC6L	T	R	8-20	G	1.188	1.313	1.610	2.645	
5/16"	CBC6L	T	R	10-4	G	0.125	0.375	0.749	1.910	0.328
	CBC6L	T	R	10-6	G	0.250	0.500	0.874	2.035	
	CBC6L	T	R	10-8	G	0.375	0.625	0.999	2.160	
	CBC6L	T	R	10-10	G	0.500	0.750	1.124	2.285	
	CBC6L	T	R	10-12	G	0.625	0.875	1.249	2.410	
	CBC6L	T	R	10-14	G	0.750	1.000	1.374	2.535	
	CBC6L	T	R	10-16	G	0.875	1.125	1.499	2.660	
	CBC6L	T	R	10-18	G	1.000	1.250	1.624	2.785	
	CBC6L	T	R	10-20	G	1.125	1.375	1.749	2.910	
	3/8"	CBC6L	T	R	12-4	G	0.125	0.375	0.934	
CBC6L		T	R	12-6	G	0.250	0.500	0.934	2.246	
CBC6L		T	R	12-8	G	0.375	0.625	1.059	2.371	
CBC6L		T	R	12-10	G	0.500	0.750	1.184	2.496	
CBC6L		T	R	12-12	G	0.625	0.875	1.309	2.621	
CBC6L		T	R	12-14	G	0.750	1.000	1.434	2.746	
CBC6L		T	R	12-16	G	0.875	1.125	1.559	2.871	
CBC6L		T	R	12-18	G	1.000	1.250	1.684	2.996	
CBC6L		T	R	12-20	G	1.125	1.375	1.809	3.121	

RK-722 TOOL



RK-745 TOOL



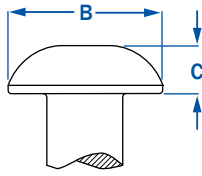
RK-756 TOOL



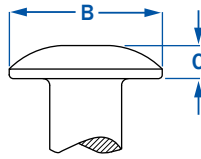
RIVETKING® COLLAR BOLT FIXED GRIP

HEADS

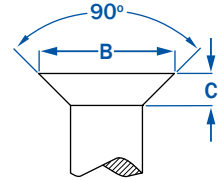
BRAZIER HEAD



TRUSS HEAD



FLUSH HEAD



NOM. BODY DIA.	BRAZIER HEAD (B)		TRUSS HEAD (T)		FLUSH HEAD (90)	
	HEAD DIAMETER (B)	HEAD HEIGHT (D)	HEAD DIAMETER (B)	HEAD HEIGHT (D)	HEAD DIAMETER (B)	HEAD HEIGHT (D)
3/16"	.394 - .356	.125 - .113	.469 - .406	.088 - .078	.354 - .328	.085 - .075
1/4"	.525 - .475	.152 - .136	.594 - .531	.115 - .103	.473 - .437	.113 - .101
5/16"	.656 - .594	.201 - .181	.797 - .703	.141 - .127	.589 - .547	.141 - .127
3/8"	.787 - .713	.248 - .223	.922 - .828	.168 - .152	.709 - .656	.168 - .152

Capacity to 1 1/8" Diameter on request

MATERIALS

NOM. BODY DIA.		STEEL (R)	ALUMINUM 2024 (C)	ALUMINUM 6061 (F)	STAINLESS Steel 18-8 (U)
		3/16"	SHEAR	1725	1050
	TENSILE	1650	1000	530	1455
1/4"	SHEAR	3050	1875	1375	3550
	TENSILE	3000	1800	975	3750
5/16"	SHEAR	4725	2925	2125	5525
	TENSILE	4600	2850	1550	4250
3/8"	SHEAR	6825	4200	3050	7950
	TENSILE	6500	4200	2400	6100

Capacity to 1 1/8" Diameter on request

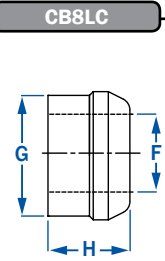
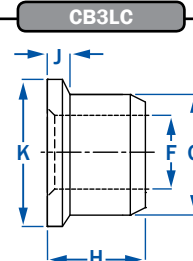
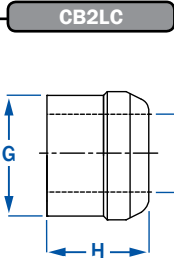
RK-745/KIT • MAX 3/8"



RK-756/KIT • MAX 3/8"



COLLAR DIMENSIONS

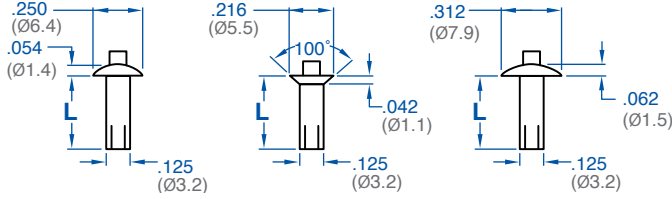


COLLAR	DIAMETER	HOLE DIAMETER (F)	BODY DIAMETER (G)	OVERALL LENGTH (H)	HEAD HEIGHT (J)	HEAD DIAMETER (K)
STANDARD	3/16"	.187 - .196	.311 - .304	.220 - .260		
	1/4"	.256 - .265	.409 - .402	.320 - .290		
	5/16"	.304 - .312	.494 - .485	.380 - .350		
	3/8"	.375 - .385	.600 - .590	.460 - .430		
FLANGE	3/16"	.187 - .196	.311 - .304	.280 - .250	.062 - .031	.391 - .359
	1/4"	.256 - .267	.409 - .402	.379 - .349	.078 - .047	.516 - .484
	5/16"	.304 - .312	.507 - .498	.426 - .394	.094 - .062	.641 - .609
	3/8"	.378 - .390	.610 - .599	.532 - .502	.125 - .062	.781 - .719
LOW PROFILE	3/16"	.187 - .196	.311 - .304	.162 - .132	0.094	
	1/4"	.256 - .265	.409 - .402	.202 - .172	0.125	
	5/16"	.304 - .312	.494 - .485	.255 - .225	0.125	
	3/8"	.375 - .385	.600 - .590	.295 - .310	0.156	

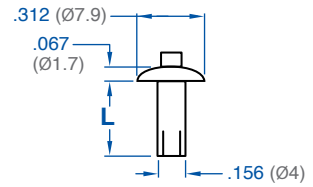
RIVETKING® DRIVE RIVETS

DRIVE RIVETS

1/8" (Ø 3.2)

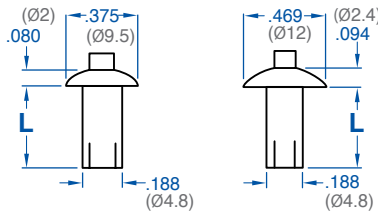


5/32" (Ø 4)

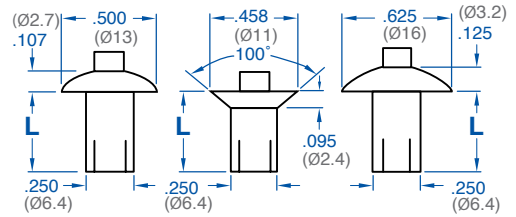


PART NUMBERS			GRIP				PART NUMBERS	
UNIVERSAL HEAD	100° CSK HEAD	FULL BRAZIER HEAD	L	MIN.	NOM.	MAX.	L	UNIVERSAL HEAD
DR38-104-02-13			.156 (4)	.047 (1.2)	.063 (1.6)	.078 (2)	.188 (4.8)	
DR38-104-03-13	DR38-504-03-13	DR38-204-03-13	.188 (4.8)	.078 (2)	.094 (2.4)	.109 (2.8)	.219 (5.6)	DR38-105-03-13
DR38-104-04-13		DR38-204-04-13	.219 (5.6)	.109 (2.8)	.125 (3.2)	.141 (3.6)	.250 (6.4)	DR38-105-04-13
DR38-104-05-13	DR38-504-05-13	DR38-204-05-13	.250 (6.4)	.141 (3.6)	.156 (4)	.172 (4.4)	.281 (7.1)	DR38-105-05-13
DR38-104-06-13		DR38-204-06-13	.281 (7.1)	.172 (4.4)	.188 (4.8)	.203 (5.2)	.313 (7.9)	DR38-105-06-13
DR38-104-07-13	DR38-504-07-13	DR38-204-07-13	.313 (7.9)	.203 (5.2)	.219 (5.6)	.234 (6)	.344 (8.7)	DR38-105-07-13
DR38-104-08-13			.344 (8.7)	.234 (6)	.250 (6.4)	.266 (6.8)	.375 (9.5)	DR38-105-08-13
DR38-104-09-13	DR38-504-09-13		.375 (9.5)	.266 (6.8)	.281 (7.1)	.297 (7.5)	.406 (10.3)	DR38-105-09-13
DR38-104-10-13			.406 (10.3)	.297 (7.5)	.313 (7.9)	.328 (8.3)	.438 (11.1)	DR38-105-10-13
DR38-104-11-13			.438 (11.1)	.328 (8.3)	.344 (8.7)	.359 (9.1)	.469 (11.9)	
DR38-104-12-13		DR38-204-12-13	.469 (11.9)	.359 (9.1)	.375 (9.5)	.391 (9.9)	.500 (12.7)	DR38-105-11-13
				.453 (11.5)	.469 (11.9)	.484 (12.3)	.594 (15.1)	DR38-105-12-13
				.484 (12.3)	.500 (12.7)	.516 (13.1)	.625 (15.9)	DR38-105-13-13
				.609 (15.5)	.625 (15.9)	.641 (16.3)	.750 (19.1)	DR38-105-14-13

3/16" Ø 4.8



1/4" (Ø 6.4)



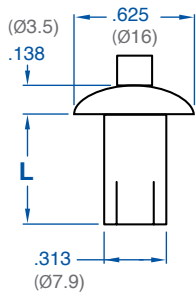
PART NUMBERS			GRIP				PART NUMBERS		
UNIVERSAL HEAD	FULL BRAZIER HEAD	L	MIN.	NOM.	MAX.	L	UNIVERSAL HEAD	100° CSK HEAD	FULL BRAZIER HEAD
DR38-106-02-16	DR38-206-02-16	.250 (6.4)	.047 (1.2)	.094 (2.4)	.141 (3.6)	.250 (6.4)	DR38-108-02-16		DR38-208-02-16
DR38-106-04-16	DR38-206-04-16	.281 (7.1)	.078 (2)	.125 (3.2)	.172 (4.4)	.281 (7.1)	DR38-108-04-16		DR38-208-04-16
DR38-106-06-16	DR38-206-06-16	.344 (8.7)	.141 (3.6)	.188 (4.8)	.234 (6)	.344 (8.7)	DR38-108-06-16		DR38-208-06-16
DR38-106-08-16	DR38-206-08-16	.406 (10.3)	.203 (5.2)	.250 (6.4)	.297 (7.5)	.416 (10.6)	DR38-108-08-16	DR38-508-08-16	DR38-208-08-16
DR38-106-10-16	DR38-206-10-16	.469 (11.9)	.266 (6.8)	.313 (7.9)	.359 (9.1)	.469 (11.9)	DR38-108-10-16	DR38-508-10-16	DR38-208-10-16
DR38-106-12-16	DR38-206-12-16	.531 (13.5)	.328 (8.3)	.375 (9.5)	.422 (10.7)	.531 (13.5)	DR38-108-12-16	DR38-508-12-16	DR38-208-12-16
DR38-106-14-16	DR38-206-14-16	.594 (15.1)	.391 (9.9)	.438 (11.1)	.484 (12.3)	.594 (15.1)	DR38-108-14-16	DR38-508-14-16	DR38-208-14-16
DR38-106-16-16	DR38-206-16-16	.656 (16.7)	.453 (11.5)	.500 (12.7)	.547 (13.9)	.656 (16.7)	DR38-108-16-16	DR38-508-16-16	DR38-208-16-16
DR38-106-18-16	DR38-206-18-16	.719 (18.3)	.516 (13.1)	.563 (14.3)	.609 (15.5)	.719 (18.3)	DR38-108-18-16	DR38-508-18-16	DR38-208-18-16
DR38-106-20-16	DR38-206-20-16	.781 (19.8)	.578 (14.7)	.625 (15.9)	.672 (17.1)	.781 (19.8)	DR38-108-20-16	DR38-508-20-16	DR38-208-20-16
			.641 (16.3)	.688 (17.5)	.734 (18.7)	.844 (21.4)		DR38-508-22-16	
			.703 (17.9)	.750 (19.1)	.797 (20.3)	.906 (23)	DR38-108-24-16	DR38-508-24-16	DR38-208-24-16
	DR38-206-26-16	.969 (24.6)	.766 (19.4)	.813 (20.6)	.859 (21.8)	.969 (24.6)		DR38-508-26-16	
DR38-106-28-16		1.031 (26.2)	.828 (21)	.875 (22.2)	.922 (23.4)	1.031 (26.2)	DR38-108-28-16	DR38-508-28-16	DR38-208-28-16
DR38-106-32-16	DR38-206-32-16	1.156 (29.4)	.953 (24.2)	1.000 (25.4)	1.047 (26.6)	1.156 (29.4)			DR38-208-32-16
			1.078 (27.4)	1.125 (28.6)	1.171 (29.7)	1.281 (32.5)			DR38-208-36-16
			1.328 (33.7)	1.375 (34.9)	1.421 (36.1)	1.531 (38.9)			DR38-208-44-16



RIVETKING® DRIVE RIVETS

Large Diameter Aluminum Drive Rivets

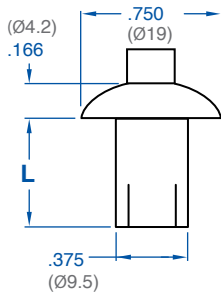
5/16" (Ø 7.9)



GRIP			L	PART NUMBERS
MIN.	NOM.	MAX.		UNIVERSAL HEAD
.132 (3.4)	.188 (4.8)	.242 (6.2)	.438 (11.1)	DR38-110-06-16
.226 (5.7)	.281 (7.1)	.336 (8.5)	.531 (13.5)	DR38-110-09-16
.320 (8.1)	.375 (9.5)	.430 (10.9)	.625 (15.9)	DR38-110-12-16
.414 (10.5)	.469 (11.9)	.523 (13.3)	.719 (18.3)	DR38-110-15-16
.508 (12.9)	.563 (14.3)	.617 (15.7)	.813 (20.6)	DR38-110-18-16
.601 (15.3)	.656 (16.7)	.711 (18.1)	.906 (23)	DR38-110-21-16
.695 (17.7)	.750 (19.1)	.804 (20.5)	1.000 (25.4)	DR38-110-24-16
.789 (20)	.844 (21.4)	.898 (22.8)	1.094 (27.8)	DR38-110-27-16
.882 (22.4)	.938 (23.8)	.992 (25.2)	1.188 (30.2)	DR38-110-30-16



3/8" (Ø 9.5)



GRIP			L	PART NUMBERS
MIN.	NOM.	MAX.		UNIVERSAL HEAD
.125 (3.2)	.188 (4.8)	.250 (6.4)	.500 (12.7)	DR38-112-06-16
.219 (5.5)	.281 (7.1)	.344 (8.7)	.594 (15.1)	DR38-112-09-16
.313 (7.9)	.375 (9.5)	.438 (11.1)	.688 (17.5)	DR38-112-12-16
.406 (10.3)	.469 (11.9)	.531 (13.5)	.781 (19.8)	DR38-112-15-16
.500 (12.7)	.563 (14.3)	.625 (15.9)	.875 (22.2)	DR38-112-18-16
.594 (15.1)	.656 (16.7)	.719 (18.3)	.969 (24.6)	DR38-112-21-16

MATERIAL AND FINISH

.125 (Ø 3.2) and .156 (Ø 4)
RIVET: Aluminum, natural.
PIN: 302 Stainless steel, natural.

.188 (Ø 4.8) and .250 (Ø 6.4)
RIVET: Aluminum, natural.
PIN: 7075 Aluminum, natural.

.313 (Ø 7.9) and .375 (Ø 9.5)
RIVET: Aluminum, natural.
PIN: 7075 Aluminum, natural.

Installation for RivetKing® Drive Rivets



INSTALLATION INSTRUCTIONS

1. Use a carbide tipped spiral masonry drill, same diameter as rivet [.250 (Ø 6.4) or .188 (Ø 4.8)]. Drill to any depth, deep enough to permit full insertion of rivet.

2. Insert rivet through material to be attached and into wall. No other parts to apply-rivet works like a nail.

3. Drive the pin just flush with rivet head, using ordinary hammer. Rivet prongs expand deep in masonry where it is strongest.

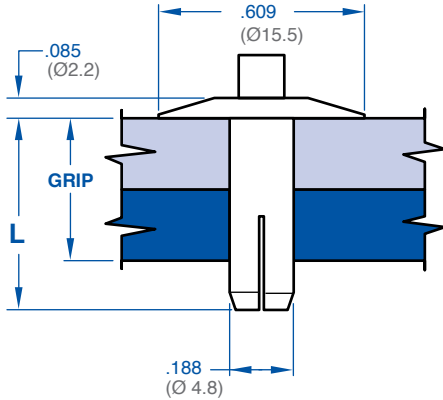
4. That's all. Attachment is complete. To remove, drill head off or, if hole is deep enough, drive pin through and pull rivet out.

RIVETKING® DRIVE RIVETS

DRIVE RIVETS

Trailer Liner Rivets

- FAST, EFFICIENT TRAILER LINING • LOW PROFILE, NON-SNAG HEAD DESIGN • SIX SIZES

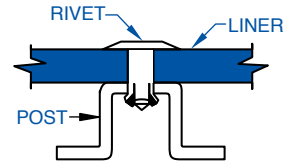


*Grip equals total thickness of all layers to be fastened.

GRIP			PART NUMBERS
MIN.	NOM.	L	UNIVERSAL HEAD
.075 (1.9)	.175 (4.4)	.281 (7.1)	DR10-11-706-13
.175 (4.4)	.275 (7)	.391 (9.9)	DR10-12-706-13
.275 (7)	.375 (9.5)	.484 (12.3)	DR10-13-706-13
.375 (9.5)	.475 (12.1)	.578 (14.7)	DR10-14-706-13
.475 (12.1)	.575 (14.6)	.688 (17.5)	DR10-15-706-13
.575 (14.6)	.675 (17.1)	.781 (19.8)	DR10-16-706-13

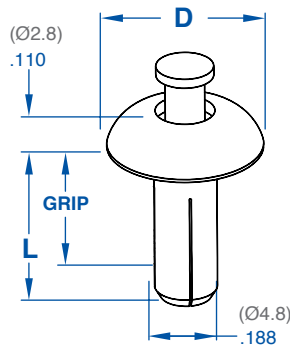


MATERIAL AND FINISH
 RIVET: 2117 Aluminum, natural.
 PIN: 7075 Aluminum, natural.



Tamper-Resistant, Tamper-Evident Rivets

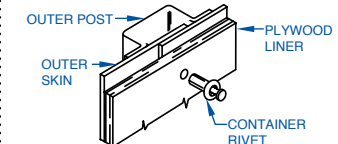
- RECESSED PIN RESISTS BEING DRIVEN THROUGH OR DRILLED OUT
- REMOVAL IS DIFFICULT AND TIME CONSUMING
- NON-SNAG HEAD DESIGN
- AVAILABLE IN 2 DIAMETERS AND 4 GRIP RANGES



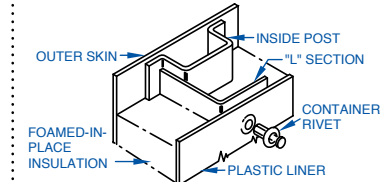
GRIP			PART NUMBERS	
MIN.	MAX.	L	.468 (Ø 12) HEAD	.615 (Ø 16) HEAD
.075 (1.9)	.175 (4.4)	.281 (7.1)	DR10-99-106-11	DR10-99-108-11
.175 (4.4)	.275 (7)	.391 (9.9)	DR10-99-106-12	DR10-99-108-12
.275 (7)	.375 (9.5)	.484 (12.3)	DR10-99-106-13	DR10-99-108-13
.375 (9.5)	.475 (12.1)	.578 (14.7)	DR10-99-106-14	DR10-99-108-14



MATERIAL AND FINISH
 RIVET: 5052 Aluminum, natural.
 PIN: 5556 Aluminum, natural.

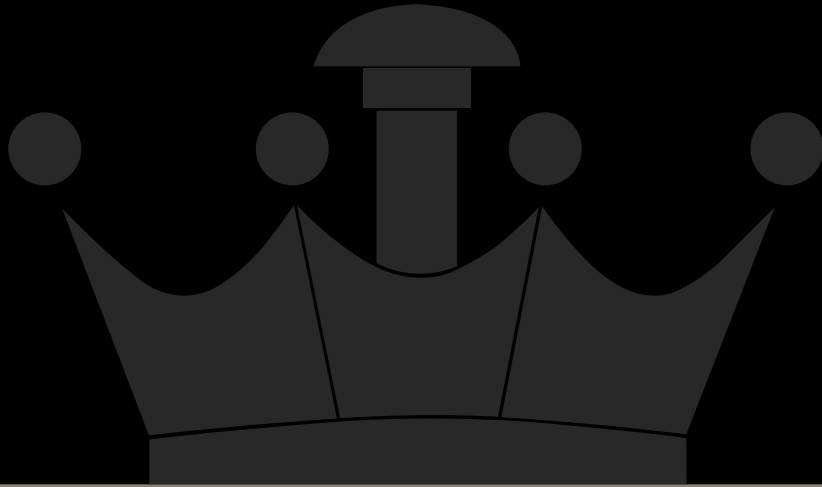


DRY CARGO CONTAINER LINER INSTALLATION



F.I.P. REEFER LINER INSTALLATION





RIVETKING® RIVETNUTS



RIVETKING® RIVETNUT PICTORIAL CONTENTS

<p>IKF SERIES® STANDARD RIVETNUT RIBBED BODY • LOW PROFILE HEAD</p>  <p>PAGES 03,04,06</p>	<p>IKR SERIES® STANDARD RIVETNUT • RIBBED BODY • REDUCED HEAD</p>  <p>PAGE 11</p>	<p>IRL SERIES™ STANDARD RIVETNUT • SMOOTH BODY • LARGE HEAD</p>  <p>PAGE 02</p>	<p>IRR SERIES™ STANDARD RIVETNUT • SMOOTH BODY • REDUCED HEAD</p>  <p>PAGE 11</p>
--	---	--	---

<p>ISR SERIES™ STANDARD RIVETNUT • SWAGING • STRAIGHT KNURL</p>  <p>PAGES 03,04,06</p>	<p>ISN SERIES® STANDARD RIVETNUT • SWAGING • DIAMOND KNURL (FOR PLASTICS)</p>  <p>PAGE 11</p>	<p>IHF SERIES™ STANDARD RIVETNUT • HALF HEX BODY • LOW PROFILE HEAD</p>  <p>PAGE 02</p>	<p>NKL SERIES™ EUROPEAN STANDARD RIVETNUT • RIBBED BODY • LARGE HEAD</p>  <p>PAGE 11</p>
--	---	--	--

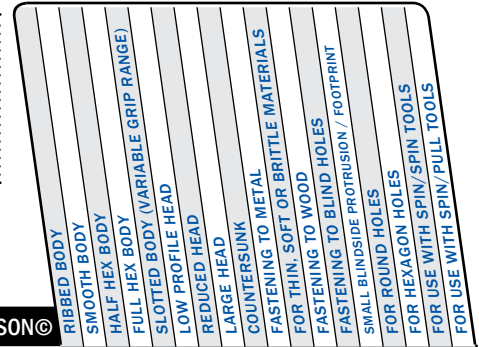
<p>NKR SERIES™ EUROPEAN STANDARD RIVETNUT • RIBBED BODY • REDUCED HEAD</p>  <p>PAGES 03,04,06</p>	<p>NKC SERIES™ EUROPEAN STANDARD RIVETNUT • RIBBED BODY • COUNTERSUNK HEAD</p>  <p>PAGE 11</p>	<p>NSL SERIES™ EUROPEAN STANDARD RIVETNUTS • SMOOTH BODY • LARGE SERRATED HEAD</p>  <p>PAGE 02</p>	<p>NHL SERIES™ EUROPEAN STANDARD RIVETNUTS • FULL HEX BODY • LARGE HEAD</p>  <p>PAGE 11</p>
---	--	---	---

<p>NHR SERIES™ EUROPEAN STANDARD RIVETNUT • FULL HEX BODY • REDUCED HEAD</p>  <p>PAGES 03,04,06</p>	<p>IPB SERIES™ STANDARD RIVETNUT • QUADRANUT • PRE-BULBED SHANK</p>  <p>PAGE 11</p>	<p>IPN SERIES™ STANDARD RIVETNUT • QUADRANUT • STRAIGHT SHANK</p>  <p>PAGE 02</p>	<p>JK SERIES™ STANDARD RIVETNUT • QUADRANUT • STAMPED</p>  <p>PAGE 11</p>	<p>JF SERIES™ STANDARD RIVETNUT • RUBBERNUT</p>  <p>PAGE 11</p>
---	---	---	--	---

RIVETKING® RIVETNUT PRODUCT OVERVIEW



RIVET NUTS



RIVETNUTS

									RIBBED BODY	SMOOTH BODY	HALF HEX BODY	PULL HEX BODY (VARIABLE GRIP RANGE)	SLOTTED BODY	LOW PROFILE HEAD	REDUCED HEAD	LARGE HEAD	COUNTERSUNK	FASTENING TO METAL	FOR THIN, SOFT OR BRITTLE MATERIALS	FASTENING TO WOOD	FASTENING TO BLIND HOLES	FASTENING TO PROTRUSION / FOOTPRINT	SMALL BLINDSIDE HOLES	FOR ROUND HOLES	FOR HEXAGON HOLES	FOR USE WITH SPIN/SPIN TOOLS	FOR USE WITH SPIN/PULL TOOLS
RIVETKING®	AVK®	BOLHOFF®	AVDEL®	SHEREX®	ATLAS®	POP®	MARSON®																				
AMERICAN STANDARD, INCH AND METRIC																											
IKF™	AMERINUT™	A-L	-	DL	CAL	AEL	TL	573	◆																		
IKR™	AMERINUT™	A-K	-	DK	CAK	AEK	TK		◆																		
IRL™	AMERINUT™	R-N	RIVNUT® (FLAT HEAD)	-	CA	AES	ST	571 / 572	◆																		
IRR™	AMERINUT™	A-O	-	9654/9655	CAO	AEO		574 / 575	◆																		
IHF™	AMERINUT™	A-H	-	-	CAH	AEH	TH			◆																	
ISR™	SWAGENUT™	A-T	-	SUPERSERT® (FB08)	CFT	AET		578 / 579	◆																		
ISNT™	SWAGENUT™	A-W	-	-	CFW																						
IPNT™	QUADRANUT™	A-R	PLUSNUT® (SXP-N-P)	VERSANUT® (VN21)	CPN	AES-P																					
IPBT™	QUADRANUT™	A-R	PLUSNUT® (SXP-NB)	VERSANUT® (VN21)	CPB	AES-P-PB																					
JK™	JK NUT™	-	-	-	-	-	JACKNUT®																				
JN™	RUBBERNUT™	-	-	-	-	-	WELLNUT®																				
EUROPEAN STANDARD, INCH AND METRIC																											
NKL™	EURONUT™	-	EZ (6211)	EUROSERT®*	CLM				◆																		
NKR™	EURONUT™	-	EZ (6212)	EUROSERT®*	CKM				◆																		
NKC™	EURONUT™	-	RIVNUT® (C'SUNK HEAD)	TSN®*	UFO RS				◆																		
NSL™	EURONUT™	-	-	TSN®*	UPO					◆																	
NHL™	EURONUT™	-	EZ (6221)	HEXSERT®*	CFM						◆																
NHR™	EURONUT™	-	EZ (6222)	HEXSERT®*	CFSM							◆															

◆ STANDARD FEATURE ◆ APPLICATION / PRODUCT DEPENDENT

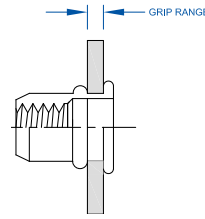
RIVETING TOOLS

RIVETKING®	AVK®	BOLHOFF®	AVDEL®	SHEREX®	ATLAS®	POP®	MARSON®
MANUAL HAND TOOLS							
RK-100	AA170					PNT110	39200
RK-21	AA480	BRK10		LHF	L6000	PNT310	325RN
TR-200	AA480	BRK10			L6000	PNT310	325RN
TR-208	AA510*	BRK10			L6000	PNT310	325RN
TR-212	AA510	BRK10			L6000	PNT310	325RN
TR-300							
RK-EX	AA181	C845		RNHT	HEXWRENC		
SPIN-SPIN PNEUMATIC TOOLS							
RK-1500SS-Q	ARO	C350		SSG-801	AE-801		
RK-500SS-Q	ARO			SSG-802	AE-802		
RK-280SS	ARO			SSG-803	AE-803		
SPIN-PULL PNEUDRAULIC TOOLS							
TR-1000	RNPT751	P330	74200	MS50		PNT800A	140SP
TR-2000		P330		MS100	AE-40	PNT1000	150SP
RK-50SP	RNPT751	P803					

RIVETKING® RIVETNUT DESIGN CONSIDERATIONS

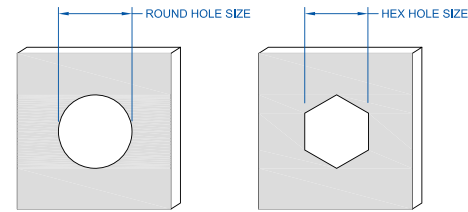
A. GRIP RANGE

Determining the length of the rivet is critical to insure the rivetnut will function as it was designed. If the rivetnut is applied over or under its intended grip range, it will not work properly. Be sure to accommodate for the “theoretical” grip versus the “actual” grip. While two pieces of sheet metal each are .055 thick, it doesn’t necessarily mean that the actual grip will be .110. Burrs or bends in the sheet metal could affect the theoretical grip.



B. HOLE SIZE & SHAPE

The Rivetnut will only work if it is within the prescribed hole size. Additionally, the design engineer should calculate the manufacturing tolerances of the hole to insure proper fit so that interference issues will not surface at a later time. Holes should be round for round body rivet nuts, and hex for hex body rivet nuts. Oval, Square or out-of-round shapes require a rivetnut to be custom produced.

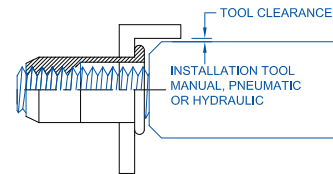


CLEARANCES

This is one of the most common oversights occurring in product designs.

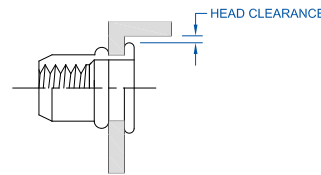
C. TOOL CLEARANCE

Sufficient clearances (above the hole) for which the rivet will go through so that riveting equipment can sufficiently access the hole to be riveted without interference. Be sure to select the riveting equipment in the design phase to prevent the need for customized and potentially costly tooling modifications.



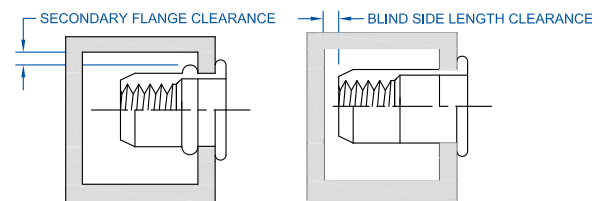
D. HEAD CLEARANCE

Axial access is required on the primary sheet to be riveted to allow for the flange to overlap the hole without interference. When designing the primary hole, make sure to calculate the head diameter and its tolerances and layout the foot print of the head on the hole. This is especially critical when riveting on brackets, near other hardware, or next to bends, folds, extrusions and/or cutouts on the sheet metal.



E. BLIND SIDE CLEARANCE

Since the blind side of the rivet nut is designed to form into a secondary flanged bearing surface, it is important to leave room for the flange to expand and to seat properly. Additionally, the collapsed height is shorter than the height before installation. Make sure the backside can accommodate the entire rivet before riveting. Testing should be done in the design phase to calculate what distances are needed.



GALVANIC ACTION

Galvanic action is seldom considered in design but can often be one of the hidden causes of failures. Galvanic corrosion is accelerated electromechanical corrosion produced when a noble metal is in contact with another less noble metal, both being in corroding medium (such as damp air). The less-noble metal corrodes at faster rate than normal while the noble metal acquires greater corrosion protection. For an example, an aluminum (less-noble metal) rivet in copper (more-noble metal) would cause aluminum to corrode at an accelerated rate while the copper would be virtually unattacked. Should you be in a position of having to join two dissimilar metals, be sure to consult the galvanic series table.

CORROSION PROTECTION

The corrosion factor of a particular rivet is dependent on the corrosivity of the base metal, the protection layer (plating), and the conversion layer (chromate). Being that the most cost effective material to produce is steel, most prefer to protect the steel with a plating such as Zinc and a chromate. Rivetnuts require a specialized plating & wax therefore it is highly suggested the manufacturer perform this task. Do not attempt to reprocess rivetnuts! For standard performance a SST rating (salt spray test) is about 48 hours until Red Rust. Other platings such as Zinc alloy's (ZnNi, ZnFe, ZnTi) that are available which can extend the SST rating to 840 hours until red rust. Be sure the plating is tested by the manufacturer per ASTM B 117 standard and that the manufacturers' lab is proficiency tested semi-annually.

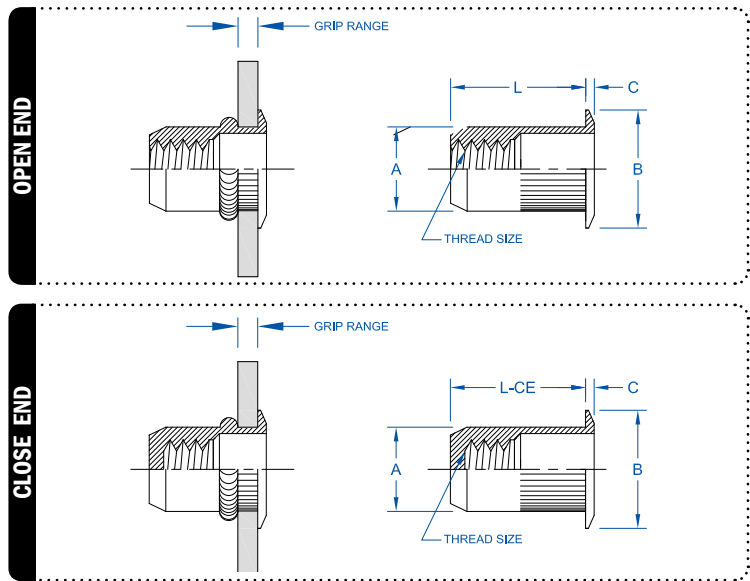


IKF SERIES® LOW PROFILE HEAD - KNURLED BODY

THINWALL AMERICAN STANDARD RIVETNUTS



The RivetKing IKF Series is a thinwall Rivetnut with a low profile head. Its design is such that spin/spin tools can easily collapse and properly set the rivet nut. The low profile head is nearly flush and offers greater bearing surface compared with IKR series. Spin-Spin or Spin-Pull tools can be used to apply IKF series rivetnuts.



INCH

PART CODE	THREAD SIZE	GRIP CODE	GRIP RANGE	L LENGTH +/- .015	L-CE LENGTH +/- .015	B HEAD DIA +/- .010	C HEAD HT +/- .003	A BODY DIA MAX	HOLE SIZE +.006/- .000
6C1IKF	6-32 UNC	#1	.020 - .080	.420	.740	.390	.030	.265	.266
6C2IKF	6-32 UNC	#2	.080 - .130	.470	.740	.390	.030	.265	.266
8C1IKF	8-32 UNC	#1	.020 - .080	.420	.740	.390	.030	.265	.266
8C2IKF	8-32 UNC	#2	.080 - .130	.470	.740	.390	.030	.265	.266
10C1IKF	10-24 UNC	#1	.020 - .130	.475	.990	.415	.030	.296	.297
10C2IKF	10-24 UNC	#2	.130 - .225	.585	.990	.415	.030	.296	.297
10F1IKF	10-32 UNF	#1	.020 - .130	.475	.990	.415	.030	.296	.297
10F2IKF	10-32 UNF	#2	.130 - .225	.585	.990	.415	.030	.296	.297
25C1IKF	1/4-20 UNC	#1	.027 - .165	.580	1.190	.500	.030	.390	.391
25C2IKF	1/4-20 UNC	#2	.165 - .260	.680	1.190	.500	.030	.390	.391
25F1IKF	1/4-28 UNF	#1	.027 - .165	.580	1.190	.500	.030	.390	.391
25F2IKF	1/4-28 UNF	#2	.165 - .260	.680	1.190	.500	.030	.390	.391
31C1IKF	5/16-18 UNC	#1	.027 - .150	.690	1.390	.685	.035	.530	.531
31C2IKF	5/16-18 UNC	#2	.150 - .312	.805	1.390	.685	.035	.530	.531
31F1IKF	5/16-24 UNF	#1	.027 - .150	.690	1.390	.685	.035	.530	.531
31F2IKF	5/16-24 UNF	#2	.150 - .312	.805	1.390	.685	.035	.530	.531
37C1IKF	3/8-16 UNC	#1	.027 - .150	.690	1.390	.685	.035	.530	.531
37C2IKF	3/8-16 UNC	#2	.150 - .312	.805	1.390	.685	.035	.530	.531
37F1IKF	3/8-24 UNC	#1	.027 - .150	.690	1.390	.685	.035	.530	.531
37F2IKF	3/8-24 UNC	#2	.150 - .312	.805	1.390	.685	.035	.530	.531
50C1IKF	1/2-13 UNC	#1	.062 - .200	1.150	2.365	.865	.047	.685	.687
50C2IKF	1/2-13 UNC	#2	.200 - .350	1.300	2.365	.865	.047	.685	.687
50C3IKF	1/2-13 UNC	#3	.350 - .500	1.450	2.365	.865	.047	.685	.687

THE PART NUMBER IS COMPLETE BY ADDING THE MATERIAL AND FINISH CODES AS A SUFFIX TO THE PART CODE:

MATERIAL/FINISH CODES: SY = STEEL, ZINC YELLOW ROHS †
 SZ = STEEL, ZINC CLEAR ROHS
 SC = STEEL, CAD YELLOW PLATED
 AP = ALUMINUM, PLAIN †
 3P = 18-8 STAINLESS STEEL, PLAIN †

EXAMPLE:
 Part Code 6C1IKF in Steel,
 Zinc Yellow Plating is... 6C1IKFSY

† Indicates stocked configurations

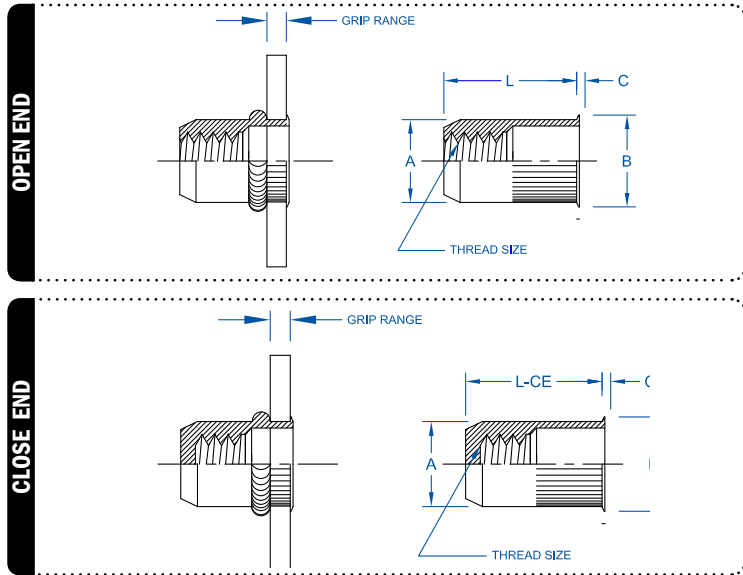
IKR SERIES® REDUCED HEAD - KNURLED BODY

THINWALL AMERICAN STANDARD RIVETNUTS

RIVETNUT RIVETS



The RivetKing IKR Series is a thinwall Rivetnut with a reduced head. Its design is such that spin/spin tools can easily collapse and properly set the rivet nut. The reduced head provides for a completely flush installation in the sheet metal. Spin-Spin or Spin-Pull tools can be used to apply IKF series rivetnuts.



INCH									
PART CODE	THREAD SIZE	GRIP CODE	GRIP RANGE	L LENGTH +/- .015	L-CE LENGTH +/- .015	B HEAD DIA +/- .010	C HEAD HT +/- .003	A BODY DIA MAX	HOLE SIZE +.006/- .000
6C1IKR	6-32 UNC	#1	.020 - .080	.420	.740	.310	.019	.265	.266
6C2IKR	6-32 UNC	#2	.080 - .130	.470	.740	.310	.019	.265	.266
8C1IKR	8-32 UNC	#1	.020 - .080	.420	.740	.310	.019	.265	.266
8C2IKR	8-32 UNC	#2	.080 - .130	.470	.740	.310	.019	.265	.266
10C1IKR	10-24 UNC	#1	.020 - .130	.475	.990	.340	.019	.296	.297
10C2IKR	10-24 UNC	#2	.130 - .225	.585	.990	.340	.019	.296	.297
10F1IKR	10-32 UNF	#1	.020 - .130	.475	.990	.340	.019	.296	.297
10F2IKR	10-32 UNF	#2	.130 - .225	.585	.990	.340	.019	.296	.297
25C1IKR	1/4-20 UNC	#1	.027 - .165	.580	1.190	.455	.022	.390	.391
25C2IKR	1/4-20 UNC	#2	.165 - .260	.680	1.190	.455	.022	.390	.391
25F1IKR	1/4-28 UNF	#1	.027 - .165	.580	1.190	.455	.022	.390	.391
25F2IKR	1/4-28 UNF	#2	.165 - .260	.680	1.190	.455	.022	.390	.391
31C1IKR	5/16-18 UNC	#1	.027 - .150	.690	1.390	.595	.022	.530	.531
31C2IKR	5/16-18 UNC	#2	.150 - .312	.805	1.390	.595	.022	.530	.531
31F1IKR	5/16-24 UNF	#1	.027 - .150	.690	1.390	.595	.022	.530	.531
31F2IKR	5/16-24 UNF	#2	.150 - .312	.805	1.390	.595	.022	.530	.531
37C1IKR	3/8-16 UNC	#1	.027 - .150	.690	1.390	.595	.022	.530	.531
37C2IKR	3/8-16 UNC	#2	.150 - .312	.805	1.390	.595	.022	.530	.531
37F1IKR	3/8-24 UNF	#1	.027 - .150	.690	1.390	.595	.022	.530	.531
37F2IKR	3/8-24 UNF	#2	.150 - .312	.805	1.390	.595	.022	.530	.531

THE PART NUMBER IS COMPLETE BY ADDING THE MATERIAL AND FINISH CODES AS A SUFFIX TO THE PART CODE:

MATERIAL/FINISH CODES: **SY** = STEEL, ZINC YELLOW ROHS †
SZ = STEEL, ZINC CLEAR ROHS
SC = STEEL, CAD YELLOW PLATED
AP = ALUMINUM, PLAIN †
3P = 18-8 STAINLESS STEEL, PLAIN †

EXAMPLE:
 Part Code 6C1ISR in Steel,
 Zinc Yellow Plating is... 6C1ISRSY

† Indicates stocked configurations



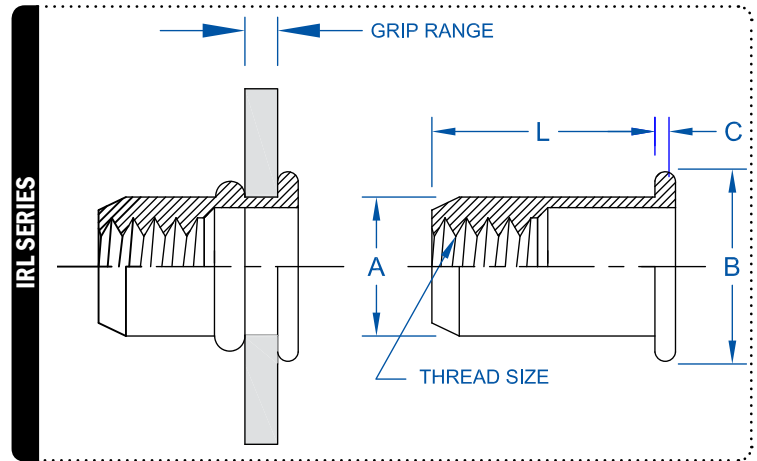
IRL SERIES™ LARGE HEAD - HEAVY DUTY - SMOOTH BODY

THICKWALL AMERICAN STANDARD RIVETNUTS • FOR HEAVY DUTY APPLICATIONS

RIVETNUT RIVETS



The RivetKing IRL Series is a heavywall/thickwall Rivetnut. This robust design upgrades the thickness of both the body and the head height. The robust IRL series offers higher pullout resistance and increased endurance of the joint and assembly. Spin-Pull tools are recommended for installation of IRL series rivetnuts.



PART CODE	THREAD SIZE (INCH)	GRIP CODE	GRIP RANGE	LENGTH +/- .015	HEAD DIA +/- .015	HEAD HEIGHT NOMINAL	BODY DIA. +.000/- .004	HOLE SIZE +.003/- .000
4C1IRL	4-40 UNC	#1	.010 - .060	.345	.270	.025	.155	.155
4C2IRL	4-40 UNC	#2	.060 - .085	.370	.270	.025	.155	.155
4C3IRL	4-40 UNC	#3	.085 - .110	.400	.270	.025	.155	.155
6C1IRL	6-32 UNC	#1	.010 - .075	.438	.325	.032	.189	.189
6C2IRL	6-32 UNC	#2	.075 - .120	.500	.325	.032	.189	.189
6C3IRL	6-32 UNC	#3	.120 - .160	.500	.325	.032	.189	.189
8C1IRL	8-32 UNC	#1	.010 - .075	.438	.357	.032	.221	.221
8C2IRL	8-32 UNC	#2	.075 - .120	.500	.357	.032	.221	.221
8C3IRL	8-32 UNC	#3	.120 - .160	.500	.357	.032	.221	.221
10C1IRL	10-24 UNC	#1	.010 - .080	.531	.406	.038	.250	.250
10C2IRL	10-24 UNC	#2	.080 - .130	.594	.406	.038	.250	.250
10C3IRL	10-24 UNC	#3	.130 - .180	.641	.406	.038	.250	.250
10F1IRL	10-32 UNF	#1	.010 - .080	.531	.406	.038	.250	.250
10F2IRL	10-32 UNF	#2	.080 - .130	.594	.406	.038	.250	.250
10F3IRL	10-32 UNF	#3	.130 - .180	.641	.406	.038	.250	.250
25C1IRL	1/4-20 UNC	#1	.020 - .080	.625	.475	.058	.332	.332
25C2IRL	1/4-20 UNC	#2	.080 - .140	.687	.475	.058	.332	.332
25C3IRL	1/4-20 UNC	#3	.140 - .200	.750	.475	.058	.332	.332
31C1IRL	5/16-18 UNC	#1	.030 - .125	.750	.665	.062	.413	.413
31C2IRL	5/16-18 UNC	#2	.125 - .200	.875	.665	.062	.413	.413
31C3IRL	5/16-18 UNC	#3	.200 - .275	.937	.665	.062	.413	.413
37C1IRL	3/8-16 UNC	#1	.030 - .125	.844	.781	.088	.490	.490
37C2IRL	3/8-16 UNC	#2	.125 - .200	.938	.781	.088	.490	.490
37C3IRL	3/8-16 UNC	#3	.200 - .275	1.031	.781	.088	.490	.490
50C1IRL	1/2-13 UNC	#1	.050 - .150	.906	.906	.085	.625	.625
50C2IRL	1/2-13 UNC	#2	.150 - .250	1.031	.906	.085	.625	.625
50C3IRL	1/2-13 UNC	#3	.250 - .350	1.141	.906	.085	.625	.625

THE PART NUMBER IS COMPLETE BY ADDING THE MATERIAL AND FINISH CODES AS A SUFFIX TO THE PART CODE:

MATERIAL/FINISH CODES: SY = STEEL, ZINC YELLOW ROHS †
 SZ = STEEL, ZINC CLEAR ROHS
 SC = STEEL, CAD YELLOW PLATED
 AP = ALUMINUM, PLAIN †
 3P = 18-8 STAINLESS STEEL, PLAIN †

EXAMPLE:
 Part Code 6C1IRL in Steel,
 Zinc Yellow Plating is... 6C1IRLSZ

† Indicates stocked configurations

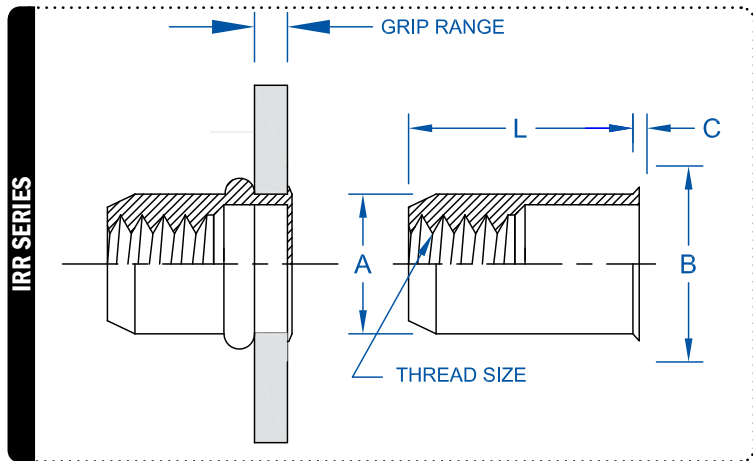
IRR SERIES™ REDUCED HEAD - SMOOTH BODY

THINWALL AMERICAN STANDARD RIVET NUTS • FOR STANDARD HOLE SIZES

RIVETNUTS



The RivetKing IRR Series is a thinwall insert that has been designed specifically for convenience. Often the holes of hardware are pre-drilled or pre-punched to a standard hole size. This may cause difficulties with traditional rivetnuts which require an off-standard hole diameter. The IRR series have been produced to fit in common hole sizes that may be found in pre-designed hardware and assemblies.



INCH	PART NUMBER	THREAD SIZE (INCH)	GRIP RANGE	LENGTH +/- .015	HEAD DIA +/- .010	HEAD HEIGHT +/- .003	BODY DIA. MAX.	HOLE SIZE +.006/- .000
		6C1IRR	6-32 UNC	.020-.080	.385	.295	.018	.249
	8C1IRR	8-32 UNC	.020-.080	.385	.295	.018	.249	.250
	10C1IRR	10-24 UNC	.020-.130	.440	.320	.020	.280	.281
	10F1IRR	10-32 UNC	.020-.130	.440	.320	.020	.280	.281
	25C1IRR	1/4-20 UNC	.030-.165	.580	.425	.022	.374	.375
	25F1IRR	1/4-28 UNF	.030-.165	.580	.425	.022	.374	.375
	31C1IRR	5/16-18 UNC	.040-.200	.690	.560	.022	.499	.500
	31F1IRR	5/16-24 UNF	.040-.200	.690	.560	.022	.499	.500
	37C1IRR	3/8-16 UNC	.040-.200	.690	.560	.022	.499	.500
	37F1IRR	3/8-24 UNF	.040-.200	.690	.560	.022	.499	.500

METRIC	PART NUMBER	THREAD SIZE (METRIC)	GRIP RANGE	LENGTH +/- .4	HEAD DIA +/- .25	HEAD HEIGHT +/- .1	BODY DIA. MAX.	HOLE SIZE +.05/- 0
		.30C1IRR	M3	0.50 - 1.50	8.70	5.40	0.30	4.92
	.40C1IRR	M4	0.50 - 2.00	10.40	6.70	0.30	6.30	6.40
	.50C1IRR	M5	0.50 - 3.00	11.50	7.90	0.40	7.10	7.20
	.60C1IRR	M6	0.70 - 3.00	14.50	10.20	0.40	9.50	9.60
	.80C1IRR	M8	0.80 - 4.50	16.00	11.30	0.40	10.50	10.60

THE PART NUMBER IS COMPLETE BY ADDING THE MATERIAL AND FINISH CODES AS A SUFFIX TO THE PART CODE:

MATERIAL/FINISH CODES: SY = STEEL, ZINC YELLOW ROHS †
 SZ = STEEL, ZINC CLEAR ROHS
 SC = STEEL, CAD YELLOW PLATED
 AP = ALUMINUM, PLAIN †
 3P = 18-8 STAINLESS STEEL, PLAIN †

EXAMPLE:
 Part Code 6C1IRL in Steel,
 Zinc Yellow Plating is... 6C1IRLSZ

† Indicates stocked configurations



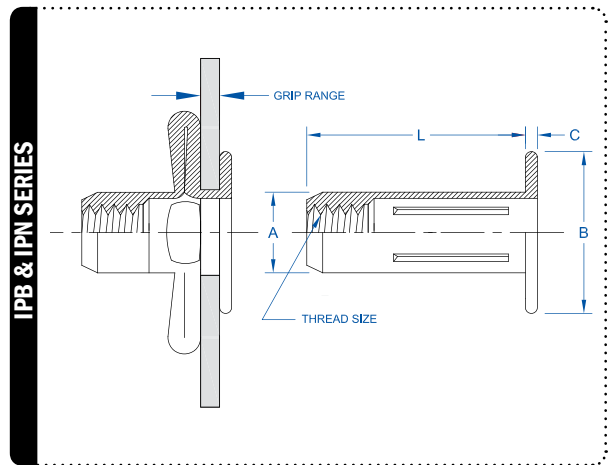
IPB & IPN SERIES™ QUADRAFOLD™ RIVETNUT

PRE-BULBED & STRAIGHT SHANK QUAD FOLDING RIVETNUTS

IPB SERIES - PRE-BULBED



IPN SERIES - STRAIGHT SHANK



The RivetKing IPB and IPN Series Rivetnuts do what traditional rivet nuts cannot. This series is designed for soft materials such as plastics, fiberglass and thin sheet metal where increased pullout resistance is required. The fastener performance is dictated by the four folding tines that are extended during the riveting process. The result is an upset of metal that is nearly three times the diameter of the hole. This series is offered in both pre-bulbed & straight shank versions. The pre-bulbed version is designed to work with spin-spin tools, while the straight shank version is designed to work with spin-pull tools only.

	PART CODE (PRE-BULBED)	PART CODE (STRAIGHT SHANK)	THREAD SIZE (INCH)	GRIP CODE	GRIP RANGE	LENGTH MAX.	HEAD DIAMETER MAX.	HEAD HEIGHT +/- .005	BODY DIAMETER MAX.	HOLE SIZE +.006/- .000
INCH	10C1IPB	10C1IPN*	10-24 UNC	#1	.020 - .175	.843	.510	.038	.329 (.272)*	.336 (.273)*
	10C2IPB	10C2IPN*	10-24 UNC	#2	.175 - .320	.936	.510	.038	.329 (.272)*	.336 (.273)*
	10F1IPB	10F1IPN*	10-32 UNF	#1	.020 - .175	.843	.510	.038	.329 (.272)*	.336 (.273)*
	10F2IPB	10F2IPN*	10-32 UNF	#2	.175 - .320	.936	.510	.038	.329 (.272)*	.336 (.273)*
	25C1IPB	25C1IPN*	1/4-20 UNC	#1	.020 - .280	1.015	.645	.059	.382 (.346)*	.390 (.347)*
	25C2IPB	25C2IPN*	1/4-20 UNC	#2	.280 - .500	1.249	.645	.059	.382 (.346)*	.390 (.347)*
	31C1IPB	31C1IPN*	5/16-18 UNC	#1	.020 - .280	1.156	.770	.062	.495 (.437)*	.500 (.438)*
	31C2IPB	31C2IPN*	5/16-18 UNC	#2	.280 - .500	1.390	.770	.062	.495 (.437)*	.500 (.438)*

	PART CODE (PRE-BULBED)	PART CODE (STRAIGHT SHANK)	THREAD SIZE (INCH)	GRIP CODE	GRIP RANGE	LENGTH MAX.	HEAD DIAMETER MAX.	HEAD HEIGHT +/- 0.13	BODY DIAMETER MAX.	HOLE SIZE +0.15/-0.00
METRIC	.50C1IPB	.50C1IPN*	M5	#1	0.50 - 4.45	21.41	12.95	0.96	8.35 (7.47)*	8.55 (7.48)*
	.50C2IPB	.50C2IPN*	M5	#2	4.45 - 8.10	24.18	12.95	0.96	8.35 (7.47)*	8.55 (7.48)*
	.60C1IPB	.60C1IPN*	M6	#1	0.50 - 7.10	25.78	16.38	1.50	9.70 (8.79)*	10.00 (8.80)*
	.60C2IPB	.60C2IPN*	M6	#2	7.10 - 12.70	31.70	16.38	1.50	9.70 (8.79)*	10.00 (8.80)*
	.80C1IPB	.80C1IPN*	M8	#1	0.50 - 7.10	29.33	19.65	1.57	12.57 (11.10)*	12.70 (11.11)*
	.80C2IPB	.80C2IPN*	M8	#2	7.10 - 12.70	35.28	19.65	1.57	12.57 (11.10)*	12.70 (11.11)*

THE PART NUMBER IS COMPLETE BY ADDING THE MATERIAL AND FINISH CODES AS A SUFFIX TO THE PART CODE:

MATERIAL/FINISH CODES: SY = STEEL, ZINC YELLOW ROHS †
 SZ = STEEL, ZINC CLEAR ROHS
 SC = STEEL, CAD YELLOW PLATED
 SZN = STEEL, ZINC NICKEL 800 HOURS

EXAMPLE:
 Part Code 6C1IPB in Steel,
 Zinc Yellow Plating is... 6C1IPBSY

† Indicates stocked configurations

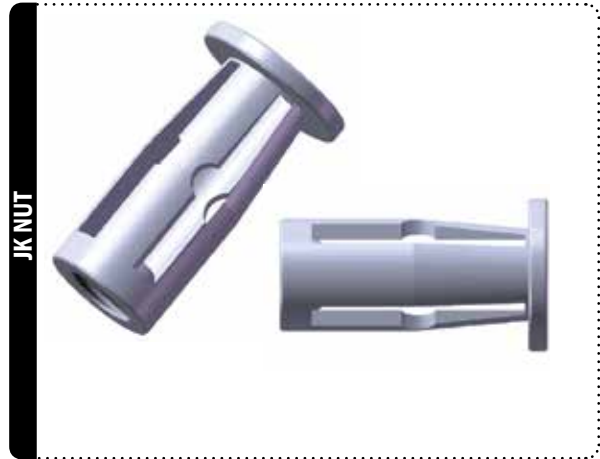
JK SERIES™ JK NUT

AMERICAN STANDARD

RIVETNUTS



The RivetKing JK Series, JK Nut is a low cost alternative to IPB Series in non-load bearing applications. Ideal applications for JK Nuts are when they can be applied to paperboard, cardboard, or thin plastics. For weather resistance, the JK nuts can be coated in vinyl in any color.



	PART CODE	THREAD SIZE (INCH)	GRIP CODE	GRIP RANGE	LENGTH REF.	HEAD DIAMETER REF.	HEAD HEIGHT REF.	BODY DIAMETER REF.	HOLE SIZE +/- .006 +/- .009*
INCH	JK-0401	6-32 UNC	#1	.010 - .060	.663	.469	.073	.308	.324
	JK-0402	6-32 UNC	#2	.060 - .085	.900	.469	.073	.308	.324
	JK-0501	10-24 UNC	#1	.075 - .120	.703	.531	.073	.378	.391*
	JK-0502	10-24 UNC	#2	.120 - .160	.875	.531	.073	.378	.391*
	JK-0601	1/4-20 UNC	#1	.010 - .075	.718	.625	.073	.438	.444
	JK-0602	1/4-20 UNC	#2	.250 - .350	.906	.625	.073	.438	.444

	PART CODE	THREAD SIZE (INCH)	GRIP CODE	GRIP RANGE	LENGTH REF.	HEAD DIAMETER REF.	HEAD HEIGHT REF.	BODY DIAMETER REF.	HOLE SIZE +/- .015 +/- .024*
METRIC	JK-0401M	M4	#1	3.81 - 4.75	16.84	11.91	1.85	8.08	8.23
	JK-0402M	M4	#2	4.75 - 9.53	22.86	12.91	1.85	8.08	8.23
	JK-0501M	M5	#1	3.81 - 4.75	17.86	13.49	1.85	9.70	9.94*
	JK-0502M	M5	#2	4.75 - 9.53	22.23	13.49	1.85	9.70	9.94+
	JK-0601M	M6	#1	3.81 - 4.75	18.24	15.89	1.85	11.13	11.28
	JK-0602M	M6	#2	4.75 - 9.53	23.01	15.89	1.85	11.13	11.28

THE PART NUMBER IS COMPLETE BY ADDING THE MATERIAL AND FINISH CODES AS A SUFFIX TO THE PART CODE:

MATERIAL/FINISH CODES: NO SUFFIX = STEEL, ZINC CLEAR ROHS †
BP = BRASS, PLAIN

EXAMPLE:
Part Code JK-0401 in Steel,
Zinc Clear Plating is... JK-0401

† Indicates stocked configurations

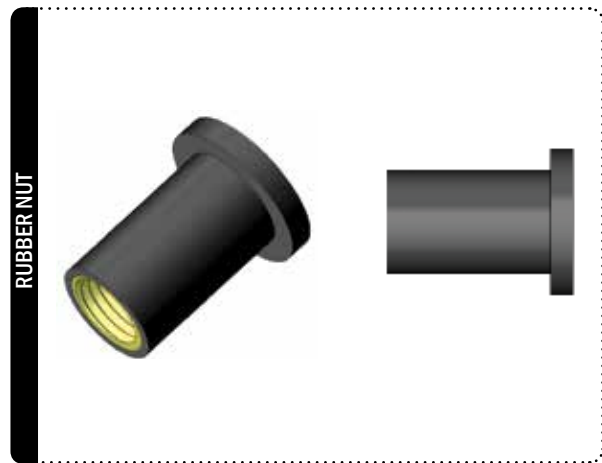


JF SERIES™ RUBBER NUT

AMERICAN STANDARD



The RivetKing JF Series Rubber Nut are used as a removable rivetnut. Installation is performed with the bolt or screw itself. To remove the rivet nut, just remove the bolt or screw. Rubnuts can also be used as vibration isolators to prevent the rattle and pullout. Typical applications are for the installation of mirrors or other hardware in utility trucks, compressors, and engines.



RIVETNUTS

PART CODE	THREAD SIZE (INCH)	GRIP CODE	GRIP RANGE	LENGTH REF.	HEAD DIAMETER REF.	HEAD HEIGHT REF.	BODY DIAMETER REF.	HOLE SIZE +.002/- .000
JF-3100	6-32 UNC	#1	.015 - .156	.499	.452	.062	.312	.312
JF-3250	6-32 UNC	#2	.375 - .607	.981	.554	.035	.240	.250
JF-4100	8-32 UNC	#1	.015 - .156	.499	.438	.052	.312	.312
JF-4140	8-32 UNC	#2	.015 - .172	.560	.750	.060	.312	.312
JF-5150	10-32 UNF	#1	.015 - .192	.554	.500	.036	.377	.377
JF-5170	10-32 UNF	#2	.035 - .232	.665	.562	.040	.377	.377
JF-5190	10-32 UNF	#3	.030 - .227	.807	.750	.187	.377	.377
JF-5250	1/4-20 UNC	#1	.015 - .111	.630	.630	.051	.500	.500
JF-6200	1/4-20 UNC	#2	.031 - .187	.831	.740	.187	.500	.500
JF-6250	1/4-20 UNC	#3	.250 - .457	1.051	.635	.051	.500	.500
JF-8200	5/16-18 UNC	#1	.016 - .156	.725	.875	.125	.562	.562
JF-8250	5/16-18 UNC	#2	.156 - .375	1.100	.875	.225	.562	.562
JF-1027	3/8-16 UNC	#2	.015 - .437	1.062	1.250	.187	.750	.750

PART CODE	THREAD SIZE (INCH)	GRIP CODE	GRIP RANGE	LENGTH REF.	HEAD DIAMETER REF.	HEAD HEIGHT REF.	BODY DIAMETER REF.	HOLE SIZE +.002/- .000
JF-3100M	M3-0.5	#1	0.40 - 4.00	12.60	11.00	1.40	7.90	7.90
JF-3250M	M3-0.5	#2	9.50 - 15.40	24.90	14.00	0.90	6.10	6.10
JF-4100M	M4-0.7	#1	0.40 - 4.00	12.60	11.00	1.40	7.90	7.90
JF-4140M	M4-0.7	#2	0.40 - 4.40	14.20	19.05	1.50	7.90	7.90
JF-5150M	M5-0.8	#1	0.40 - 4.90	14.10	12.70	0.90	9.60	9.60
JF-5170M	M5-0.8	#2	0.85 - 5.90	17.00	14.00	1.00	9.60	9.60
JF-5190M	M5-0.8	#3	0.80 - 5.80	20.95	18.95	4.40	9.60	9.60
JF-5250M	M5-0.8	#1	7.90 - 16.00	26.50	14.00	1.30	9.60	9.60
JF-6200M	M6-1.0	#2	0.80 - 4.70	21.10	19.05	4.75	12.70	12.70
JF-6250M	M6-1.0	#3	6.40 - 11.50	26.70	16.30	2.00	12.70	12.70
JF-8200M	M8-1.25	#1	0.40 - 4.00	18.30	21.50	3.20	15.90	15.90
JF-8250M	M8-1.25	#2	3.95 - 9.50	27.90	21.50	5.70	15.90	15.90
JF-1027M	M10-1.5	#2	0.38 - 11.10	27.00	29.50	4.75	19.05	19.05

THE PART NUMBER IS COMPLETE BY ADDING THE MATERIAL AND FINISH CODES AS A SUFFIX TO THE PART CODE:

MATERIAL/FINISH CODES: **NO SUFFIX = BRASS/EPDM †**
 BE = BRASS/EPDM
 3N = STAINLESS/NEOPRENE
 3E = STAINLESS/EPDM

EXAMPLE:
 Part Code JF-3100 in
 Brass/Neoprene is... JK-0401

† Indicates stocked configurations

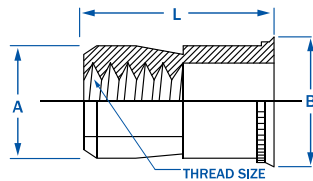
ISR & ISN SWAGING SERIES™

AMERICAN STANDARD RIVETNUTS • FOR BLIND HOLES OR LARGE GRIP RANGE

RIVETNUTS

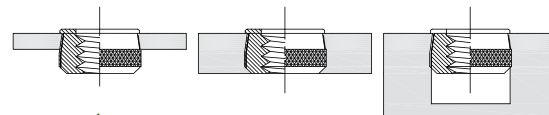
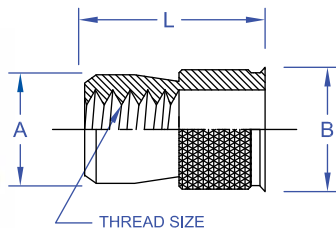
The RivetKing ISN/ISR Series has the grip range that most rivetnuts lack. It has an unlimited maximum grip range which will work in all thickness above .030 (ISR Series) and .062 (ISN Series). The ISR series is designed for use in any metal, while the ISN series is designed for use in any material softer than itself such as plastics, fiberglass, and plywood.

ISR SWAGING SERIES™ STRAIGHT KNURL - FOR METALS



PART CODE	THREAD SIZE	HEAD DIA +/- .005	LENGTH +/- .015	BODY DIA. MAX.	RECOMMENDED HOLE SIZE			
					MATERIAL THICKNESS .030-.090	MATERIAL THICKNESS .091-.124	MATERIAL THICKNESS .125-.186	MATERIAL THICKNESS .187- OVER
4C1ISR	4-40 UNC	0.211	0.370	0.1875	0.1875	0.1935	0.1935	0.1960
6C1ISR	6-32 UNC	0.240	0.370	0.2185	0.2188	0.2210	0.2280	0.2280
8C1ISR	8-32 UNC	0.269	0.370	0.2495	0.2500	0.2570	0.2656	0.2656
10C1ISR	10-24 UNC	0.306	0.370	0.2805	0.2812	0.2900	0.2900	0.2969
10F1ISR	10-32 UNF	0.306	0.370	0.2805	0.2812	0.2900	0.2900	0.2969
25C1ISR	1/4-20 UNC	0.400	0.515	0.3745	0.3750	0.3750	0.3860	0.3906
31C1ISR	5/16-18 UNC	0.528	0.615	0.4995	0.5000	0.5000	0.5156	0.5156
37C1ISR	3/8-16 UNC	0.588	0.745	0.5165	0.5625	0.5625	0.5781	0.5781
50C1ISR	1/2-13 UNC	0.800	0.935	0.7485	0.7500	0.7656	0.7810	0.7970

ISN SWAGING SERIES™ DIAMOND KNURL - FOR PLASTICS / SOFT MATERIALS



PART CODE	THREAD SIZE	HEAD DIA +/- .005	LENGTH +/- .015	BODY DIA MAX.	HOLE SIZE +.005/-.000	MATERIAL THICKNESS
6C1ISN	6-32 UNC	0.255	0.370	0.233	0.234	.062 MIN.
8C1ISN	8-32 UNC	0.285	0.370	0.264	0.266	.062 MIN.
10C1ISN	10-24 UNC	0.320	0.370	0.295	0.297	.062 MIN.
10F1ISN	10-32 UNF	0.320	0.370	0.295	0.297	.062 MIN.
25C1ISN	1/4-20 UNC	0.415	0.515	0.389	0.391	.062 MIN.
31C1ISN	5/16-18 UNC	0.550	0.615	0.528	0.531	.062 MIN.
37C1ISN	3/8-16 UNC	0.615	0.740	0.590	0.594	.062 MIN.

THE PART NUMBER IS COMPLETE BY ADDING THE MATERIAL AND FINISH CODES AS A SUFFIX TO THE PART CODE:

MATERIAL/FINISH CODES: SC1 = STEEL, CAD CLEAR PLATED
 SC2 = STEEL, CAD YELLOW PLATED
 ST = STEEL, TIN PLATED ROHS
 BP = BRASS, PLAIN FINISH

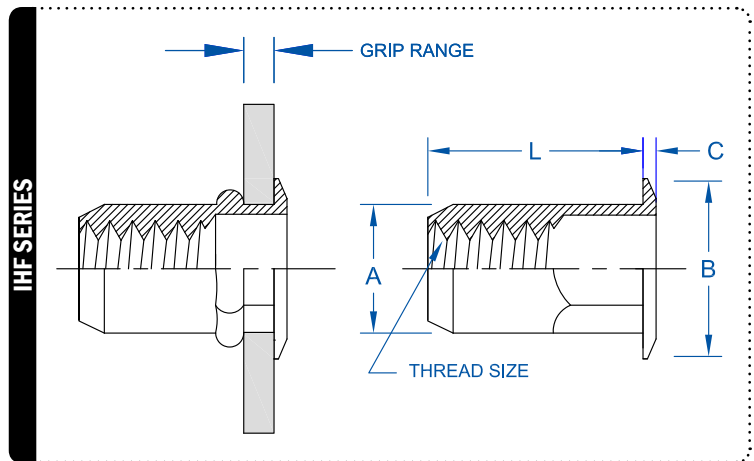
EXAMPLE:
 Part Code 6C1ISN in Steel,
 Tin ROHS Plating is... 6C1ISNST

IHF SERIES™ HALF HEX BODY - LOW PROFILE HEAD

THINWALL AMERICAN STANDARD RIVETNUTS • FOR USE WITH SPIN-SPIN TOOLS



The RivetKing IHF Series is a thinwall half hex insert for use in hexagon holes. The half hex thinwall rivetnut is designed for use with spin-spin tools. The torque to set is far less than the full hex heavy wall inserts. The low profile head is wide and thin and allows for a near flush installation. Spin-Spin or Spin-Pull tools can be used to set the IHF series.



PART CODE	THREAD SIZE (INCH)	GRIP CODE	GRIP RANGE	LENGTH +/- .015	HEAD DIA +/- .010 +/- .025*	HEAD HEIGHT +/- .003	BODY DIA. MAX	HEX HOLE SIZE (ACROSS FLATS) +/- .004/- .000
6C1IHF	6-32 UNC	#1	.020-.080	.385	.375	.027	.249	.250
6C2IHF	6-32 UNC	#2	.080-.130	.435	.375	.027	.249	.250
8C1IHF	8-32 UNC	#1	.020-.080	.385	.375	.027	.249	.250
8C2IHF	8-32 UNC	#2	.080-.130	.435	.375	.027	.249	.250
10C1IHF	10-24 UNC	#1	.020-.130	.435	.390	.027	.280	.281
10C2IHF	10-24 UNC	#2	.130-.225	.535	.390	.027	.280	.281
10F1IHF	10-32 UNF	#1	.020-.130	.435	.390	.027	.280	.281
10F2IHF	10-32 UNF	#2	.130-.225	.535	.390	.027	.280	.281
25C1IHF	1/4-20 UNC	#1	.027-.165	.585	.510	.030	.374	.375
25C2IHF	1/4-20 UNC	#2	.165-.260	.685	.510	.030	.374	.375
25F1IHF	1/4-28 UNF	#1	.027-.165	.585	.510	.030	.374	.375
25F2IHF	1/4-28 UNF	#2	.165-.260	.685	.510	.030	.374	.375
31C1IHF	5/16-18 UNC	#1	.027-.150	.685	.655*	.035	.499	.500
31C2IHF	5/16-18 UNC	#2	.150-.312	.845	.655*	.035	.499	.500
31F1IHF	5/16-24 UNF	#1	.027-.150	.685	.655*	.035	.499	.500
31F2IHF	5/16-24 UNF	#2	.150-.312	.845	.655*	.035	.499	.500
37C1IHF	3/8-16 UNC	#1	.027-.150	.685	.655*	.035	.499	.500
37C2IHF	3/8-16 UNC	#2	.150-.312	.845	.655*	.035	.499	.500
37F1IHF	3/8-24 UNF	#1	.027-.150	.685	.655*	.035	.499	.500
37F2IHF	3/8-24 UNF	#2	.150-.312	.845	.655*	.035	.499	.500

THE PART NUMBER IS COMPLETE BY ADDING THE MATERIAL AND FINISH CODES AS A SUFFIX TO THE PART CODE:

MATERIAL/FINISH CODES: SZ = STEEL, ZINC CLEAR ROHS
 SY = STEEL, ZINC YELLOW ROHS †
 SC = STEEL, CAD YELLOW PLATED
 ST = STEEL, TIN PLATED
 BP = BRASS, PLAIN FINISH

EXAMPLE:
 Part Code 6C1IRR in Steel,
 Zinc Clear Plating is... 6C1IRRSY

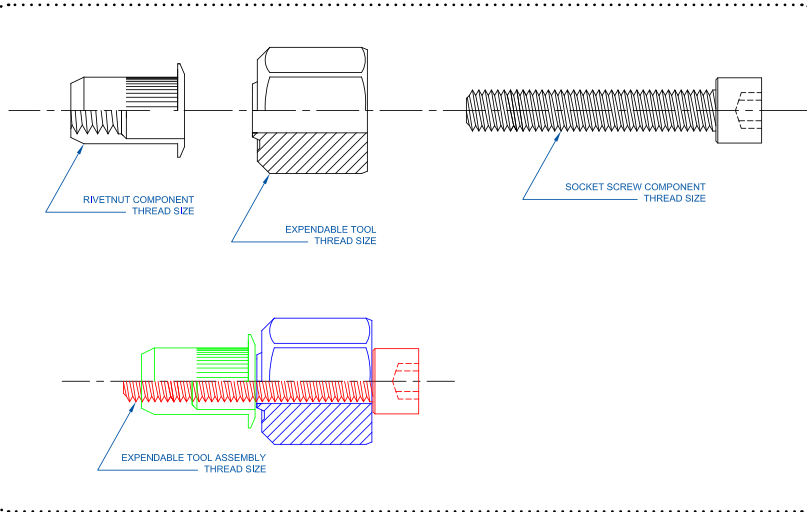
† Indicates stocked configurations

EXPENDABLE (THROW AWAY)

RIVET NUT INSTALLATION TOOL

RIVETNUTS

IRL SERIES



COMPLETE ASSEMBLY PART#	THREAD SIZE (INCH)	SCREW PART#	EXPENDABLE TOOL PART#	WRENCH SIZE	SOCKET SIZE
AA184-632	6-32 UNC	6C-KCS	AA184-3	9/16"	7/64"
AA184-832	8-32 UNC	8C-KCS	AA184-4	9/16"	9/64"
AA184-1024	10-24 UNC	10C-KCS	AA184-5	9/16"	5/32"
AA184-1032	10-32 UNF	10F-KCS	AA184-5	9/16"	5/32"
AA184-1420	1/4-20 UNC	25C-KCS	AA184-6	9/16"	3/16"
AA184-51618	5/16-18 UNC	31C-KCS	AA184-8	9/16"	1/4"
AA184-51624	5/16-24 UNF	31F-KCS	AA184-8	9/16"	1/4"
AA184-3816	3/8-16 UNC	37C-KCS	AA184-10	9/16"	5/16"
AA184-3824	3/8-24 UNF	37F-KCS	AA184-10	9/16"	5/16"
AA184-M3	M3	.30C-KCS	AA184-3	9/16"	2.5MM
AA184-M4	M4	.40C-KCS	AA184-4	9/16"	3.0MM
AA184-M5	M5	.50C-KCS	AA184-5	9/16"	4.00MM
AA184-M6	M6	.60C-KCS	AA184-6	9/16"	5.00MM
AA184-M8	M8	.80C-KCS	AA184-8	9/16"	6.00MM
AA184-M10	M10	.100C-LCS	AA184-10	9/16"	8.00MM

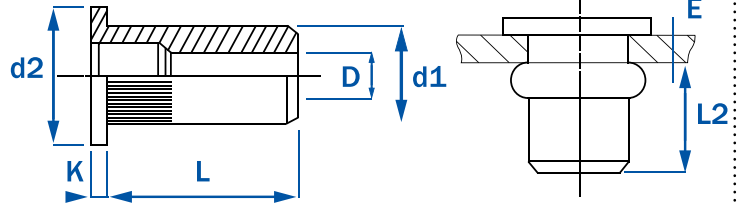


NKL SERIES™ KNURLED BODY - LARGE HEAD

EUROPEAN STANDARD RIVETNUTS • HEAVYWALL RIVETNUTS



NKL SERIES



The RivetKing NKL Series is a heavywall European Style Rivetnut. This robust design upgrades the thickness of both the body and the head height. The robust IRL series offers higher pullout resistance and increased endurance of the joint and assembly. The NIK series has a large head and a knurled body which resist spin out. Spin-Pull tools are recommended for installation of NIK series rivetnuts.



INCH	PART CODE	THREAD SIZE (INCH)	GRIP CODE	GRIP RANGE	OVERALL LENGTH REF	HEAD DIA REF.	HEAD HEIGHT REF.	BODY DIA. REF.	HOLE SIZE +.000/-0.004
		6C1NKL	6-32 UNC	#1	.027 - .125	.445	.354	.032	.2335
	8C1NKL	8-32 UNC	#1	.027 - .125	.445	.354	.032	.2335	.238
	8C2NKL	8-32 UNC	#2	.125 - .224	.551	.354	.032	.2335	.238
	10F1NKL	10-32 UNC	#1	.027 - .125	.543	.406	.038	.2715	.276
	10F2NKL	10-32 UNC	#2	.125 - .224	.650	.406	.038	.2715	.276
	25C1NKL	1/4-20 UNC	#1	.027 - .125	.594	.475	.057	.3315	.336
	25C2NKL	1/4-20 UNC	#2	.125 - .224	.701	.475	.057	.3315	.336
	31C1NKL	5/16-18 UNC	#1	.027 - .125	.744	.665	.062	.4125	.417
	31C2NKL	5/16-18 UNC	#2	.125 - .224	.850	.665	.062	.4125	.417
	37C1NKL	3/8-16 UNC	#1	.030 - .140	.906	.781	.088	.4915	.496
	37C2NKL	3/8-16 UNC	#2	.140 - .240	1.012	.781	.088	.4915	.496
	50C1NKL	1/2-13 UNC	#1	.039 - .157	1.063	.905	.088	.6285	.634

METRIC	PART CODE	THREAD SIZE (METRIC)	GRIP CODE	GRIP RANGE	LENGTH REF.	HEAD DIA REF.	HEAD HEIGHT REF.	BODY DIA. REF.	HOLE SIZE +.00/-0.01
		.30C1NKL	M3	#1	0.25 - 2.00	9.75	7.50	1.00	5.00
	.40C1NKL	M4	#1	0.25 - 3.00	9.50	9.00	1.00	6.00	6.10
	.40C2NKL	M4	#2	3.00 - 4.50	12.25	9.00	1.00	6.00	6.10
	.50C1NKL	M5	#1	0.25 - 3.00	12.00	10.00	1.00	6.90	7.10
	.50C2NKL	M5	#2	3.00 - 5.50	15.00	10.00	1.00	6.90	7.10
	.60C1NKL	M6	#1	0.50 - 3.00	14.50	13.00	1.50	8.90	9.10
	.60C2NKL	M6	#2	3.00 - 5.50	16.50	13.00	1.50	8.90	9.10
	.80C1NKL	M8	#1	0.50 - 3.00	16.50	16.00	1.50	10.90	11.10
	.80C2NKL	M8	#2	3.00 - 5.50	18.50	16.00	1.50	10.90	11.10
	.100C1NKL	M10	#1	0.50 - 3.50	19.50	19.00	2.00	13.00	13.10
	.100C2NKL	M10	#2	3.50 - 6.00	21.50	19.00	2.00	13.00	13.10
	.120C1NKL	M12	#1	1.00 - 4.00	25.00	23.00	2.00	16.00	16.10

THE PART NUMBER IS COMPLETE BY ADDING THE MATERIAL AND FINISH CODES AS A SUFFIX TO THE PART CODE:

MATERIAL/FINISH CODES: SY = STEEL, ZINC YELLOW ROHS
 SZ = STEEL, ZINC CLEAR ROHS †
 SC = STEEL, CAD YELLOW PLATED
 SZN = STEEL, ZINC NICKEL 800 HOURS
 BP = BRASS, PLAIN FINISH

EXAMPLE:
 Part Code 6C1NKL in Steel,
 Zinc Clear Plating is... 6C1NKL SZ

† Indicates stocked configurations

NKR SERIES™ KNURLED BODY - REDUCED HEAD

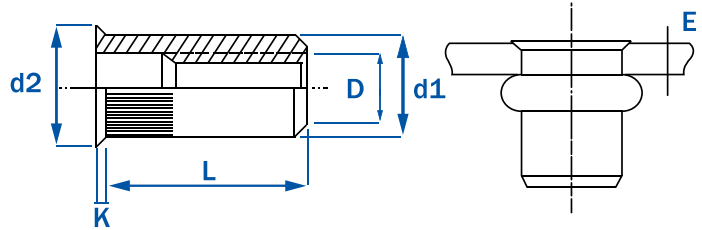
EUROPEAN STANDARD RIVETNUTS • HEAVYWALL RIVETNUTS

RIVETNUTS



The RivetKing NKR Series is a heavywall European Style Rivetnut. This robust design upgrades the thickness of both the body. The NKR series offers higher pullout resistance and increased endurance of the joint and assembly. The NKR series has a reduced head and a knurled body which resist spin out. Spin-Pull tools are recommended for installation of NIK series rivetnuts.

NKR SERIES



	PART CODE	THREAD SIZE (INCH)	GRIP CODE	GRIP RANGE	OVERALL LENGTH REF	HEAD DIA REF.	HEAD HEIGHT REF.	BODY DIA. REF.	HOLE SIZE +.000/- .004
INCH	6C1NKR	6-32 UNC	#1	.027 - .125	.445	.261	.012	.2335	.238
	8C1NKR	8-32 UNC	#1	.027 - .125	.445	.261	.012	.2335	.238
	8C2NKR	8-32 UNC	#2	.125 - .224	.551	.261	.012	.2335	.238
	10F1NKR	10-32 UNC	#1	.027 - .125	.543	.311	.016	.2715	.276
	10F2NKR	10-32 UNC	#2	.125 - .224	.650	.311	.016	.2715	.276
	25C1NKR	1/4-20 UNC	#1	.027 - .125	.594	.371	.016	.3315	.336
	25C2NKR	1/4-20 UNC	#2	.125 - .224	.701	.371	.016	.3315	.336
	31C1NKR	5/16-18 UNC	#1	.027 - .125	.744	.453	.016	.4125	.417
	31C2NKR	5/16-18 UNC	#2	.125 - .224	.850	.453	.016	.4125	.417
	37C1NKR	3/8-16 UNC	#1	.030 - .140	.906	.531	.020	.4915	.496
	37C2NKR	3/8-16 UNC	#2	.140 - .240	1.012	.531	.020	.4915	.496
	50C1NKR	1/2-13 UNC	#1	.039 - .157	1.063	.669	.024	.6285	.634

	PART CODE	THREAD SIZE (METRIC)	GRIP CODE	GRIP RANGE	LENGTH REF.	HEAD DIA REF.	HEAD HEIGHT REF.	BODY DIA. REF.	HOLE SIZE +.00/- .01
METRIC	.30C1NKR	M3	#1	0.25 - 2.00	9.75	6.00	0.30	5.00	5.10
	.40C1NKR	M4	#1	0.25 - 3.00	9.50	7.00	0.30	6.00	6.10
	.40C2NKR	M4	#2	3.00 - 4.50	12.25	7.00	0.30	6.00	6.10
	.50C1NKR	M5	#1	0.25 - 3.00	12.00	8.00	0.40	6.90	7.10
	.50C2NKR	M5	#2	3.00 - 5.50	15.00	8.00	0.40	6.90	7.10
	.60C1NKR	M6	#1	0.50 - 3.00	14.50	10.00	0.40	8.90	9.10
	.60C2NKR	M6	#2	3.00 - 5.50	16.50	10.00	0.40	8.90	9.10
	.80C1NKR	M8	#1	0.50 - 3.00	16.50	12.00	0.40	10.90	11.10
	.80C2NKR	M8	#2	3.00 - 5.50	18.50	12.00	0.40	10.90	11.10
	.100C1NKR	M10	#1	0.50 - 3.50	19.50	14.00	0.50	13.00	13.10
	.100C2NKR	M10	#2	3.50 - 6.00	21.50	14.00	0.50	13.00	13.10
	.120C1NKR	M12	#1	1.00 - 4.00	25.00	17.00	0.60	16.00	16.10

THE PART NUMBER IS COMPLETE BY ADDING THE MATERIAL AND FINISH CODES AS A SUFFIX TO THE PART CODE:

MATERIAL/FINISH CODES: SY = STEEL, ZINC YELLOW ROHS
 SZ = STEEL, ZINC CLEAR ROHS †
 SC = STEEL, CAD YELLOW PLATED
 SZN = STEEL, ZINC NICKEL 800 HOURS
 BP = BRASS, PLAIN FINISH

EXAMPLE:
 Part Code 6C1NKR in Steel,
 Zinc Clear Plating is... 6C1NKR SZ

† Indicates stocked configurations



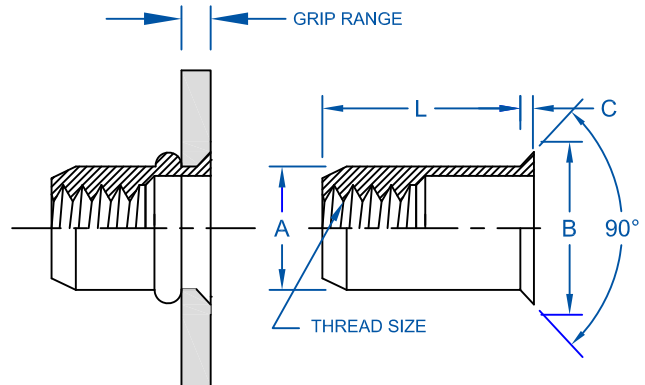
NKC SERIES™ COUNTERSUNK HEAD - KNURLED BODY

EUROPEAN STANDARD RIVETNUTS • HEAVYWALL RIVETNUTS



The RivetKing NKC Series is a heavywall/thickwall Rivetnut. This robust design upgrades the thickness of both the body and the head height. Additionally it features a thick countersunk head for high strength and flush installation. The robust NKC series offers higher pullout resistance and increased endurance of the joint and assembly. Spin-Pull tools are recommended for installation of NSL series rivetnuts.

NKC SERIES



RIVETNUTS

PART CODE	THREAD SIZE (METRIC)	GRIP CODE	GRIP RANGE	LENGTH REF.	HEAD DIA REF.	HEAD HEIGHT REF.	BODY DIA. REF.	HOLE SIZE +.003/-.000
.40C1NKC	M4	#1	1.00 - 3.00	9.50	9.00	1.00	6.00	6.10
.50C1NKC	M5	#1	1.50 - 4.00	12.00	10.00	1.00	7.00	7.10
.60C1NKC	M6	#1	1.50 - 4.00	14.50	13.00	1.50	9.00	9.10
.80C1NKC	M8	#1	1.50 - 4.00	25.00	23.00	2.00	16.00	16.10

THE PART NUMBER IS COMPLETE BY ADDING THE MATERIAL AND FINISH CODES AS A SUFFIX TO THE PART CODE:

MATERIAL/FINISH CODES: SY = STEEL, ZINC YELLOW ROHS
 SZ = STEEL, ZINC CLEAR ROHS †
 SC = STEEL, CAD YELLOW PLATED
 SZN = STEEL, ZINC NICKEL 800 HOURS
 BP = BRASS, PLAIN FINISH

EXAMPLE:
 Part Code 6C1NKR in Steel,
 Zinc Clear Plating is... 6C1NKRSZ

† Indicates stocked configurations

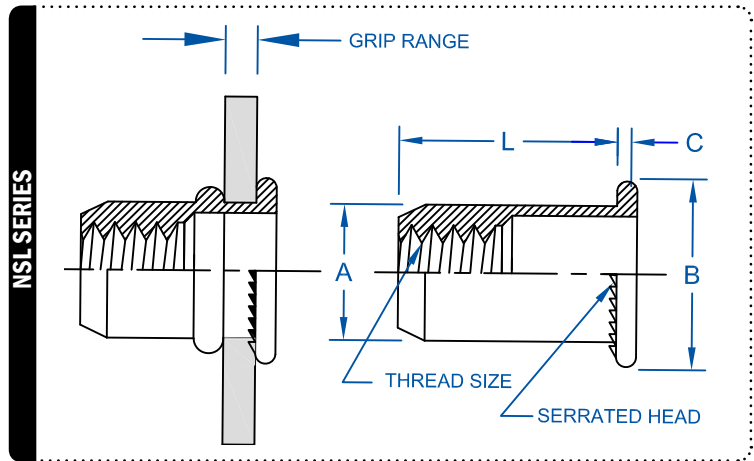
NSL SERIES™ SERRATED LARGE HEAD - SMOOTH BODY

EUROPEAN STANDARD RIVETNUTS • HEAVYWALL RIVETNUTS

RIVETNUTS



The RivetKing NSL Series is a heavywall/thickwall Rivetnut. This robust design upgrades the thickness of both the body and the head height. Additionally it features a serrated head which reduces the possibility of spin out. The robust NSL series offers higher pullout resistance and increased endurance of the joint and assembly. Spin-Pull tools are recommended for installation of NSL series rivetnuts.



PART CODE	THREAD SIZE (METRIC)	GRIP CODE	GRIP RANGE	LENGTH REF.	HEAD DIA REF.	HEAD HEIGHT REF.	BODY DIA. REF.	HOLE SIZE +.003/- .000
.40C1NSL	M4	#1	0.25 - 3.00	9.50	9.00	1.00	6.00	6.10
.40C2NSL	M4	#2	3.00 - 4.50	12.25	9.00	1.00	6.00	6.10
.50C1NSL	M5	#1	0.25 - 3.00	12.00	10.00	1.00	7.00	7.10
.50C2NSL	M5	#2	3.00 - 5.50	15.00	10.00	1.00	7.00	7.10
.60C1NSL	M6	#1	0.50 - 3.00	14.50	13.00	1.50	9.00	9.10
.60C2NSL	M6	#2	3.00 - 5.50	16.50	13.00	1.50	9.00	9.10
.80C1NSL	M8	#1	0.50 - 3.00	16.50	16.00	1.50	11.00	11.10
.80C2NSL	M8	#2	3.00 - 5.50	18.50	16.00	1.50	11.00	11.10
.100C1NSL	M10	#1	1.00 - 3.50	17.50	16.00	1.70	12.00	12.10
.120C1NSL	M12	#1	1.00 - 4.00	25.00	23.00	2.00	16.00	16.10

THE PART NUMBER IS COMPLETE BY ADDING THE MATERIAL AND FINISH CODES AS A SUFFIX TO THE PART CODE:

MATERIAL/FINISH CODES: SY = STEEL, ZINC YELLOW ROHS
 SZ = STEEL, ZINC CLEAR ROHS †
 SC = STEEL, CAD YELLOW PLATED
 SZN = STEEL, ZINC NICKEL 800 HOURS
 BP = BRASS, PLAIN FINISH

EXAMPLE:
 Part Code 6C1NKR in Steel,
 Zinc Clear Plating is... 6C1NKRSZ

† Indicates stocked configurations



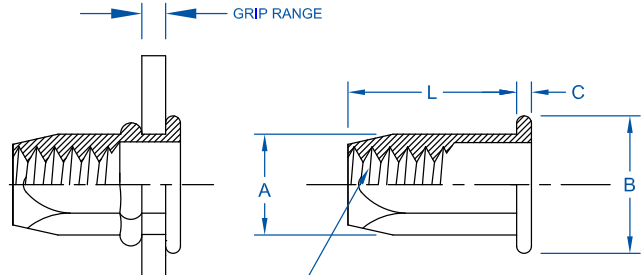
NHL SERIES™ FULL HEX BODY - LARGE HEAD

EUROPEAN STANDARD RIVETNUTS • HEAVYWALL RIVETNUTS



The RivetKing NHL Series is a heavywall European Style Rivetnut. This robust design upgrades the thickness of both the body and the head height which provides higher pullout resistance and increased endurance of the joint and assembly. NIK series has a large head and a full hex shaped body which resist spin out. Spin-Pull tools are recommended for installation of NHL series rivetnuts.

NHL SERIES



INCH	PART CODE	THREAD SIZE (INCH)	GRIP CODE	GRIP RANGE	OVERALL LENGTH REF.	HEAD DIAMETER REF.	HEAD HEIGHT REF.	BODY DIAMETER ACROSS FLATS REF.	HOLE SIZE ACROSS FLATS +.000/-0.004
		8C1NHL	8-32 UNC	#1	.027 - .125	.402	.354	.039	.235
	10F1NHL	10-32 UNF	#1	.027 - .125	.571	.394	.039	.275	.280
	25C1NHL	1/4-20 UNC	#1	.027 - .125	.638	.512	.059	.354	.361
	31C1NHL	5/16-18 UNC	#1	.027 - .125	.717	.630	.059	.432	.440
	31C2NHL	5/16-18 UNC	#2	.125 - .220	.827	.630	.059	.432	.440
	37C1NHL	3/8-16 UNC	#1	.030 - .140	.906	.748	.079	.511	.519

METRIC	PART CODE	THREAD SIZE (METRIC)	GRIP CODE	GRIP RANGE	LENGTH REF.	HEAD DIAMETER REF.	HEAD HEIGHT REF.	BODY DIAMETER ACROSS FLATS REF.	HOLE SIZE ACROSS FLATS +.00/-0.01
		.40C1NHL	M4	#1	0.25 - 2.00	10.00	9.00	1.00	6.00
	.50C1NHL	M5	#1	0.50 - 3.00	13.00	10.00	1.00	7.00	7.10
	.60C1NHL	M6	#1	0.50 - 3.00	14.50	13.00	1.50	9.00	9.10
	.80C1NHL	M8	#1	0.50 - 3.00	16.50	16.00	1.50	11.00	11.10
	.80C2NHL	M8	#2	3.00 - 5.50	19.50	16.00	1.50	11.00	11.10
	.100C1NHL	M10	#1	1.00 - 3.50	21.00	19.00	2.00	13.00	13.10
	.120C1NHL	M12	#1	1.00 - 4.00	25.00	23.00	2.00	16.00	16.10

THE PART NUMBER IS COMPLETE BY ADDING THE MATERIAL AND FINISH CODES AS A SUFFIX TO THE PART CODE:

MATERIAL/FINISH CODES: SY = STEEL, ZINC YELLOW ROHS
 SZ = STEEL, ZINC CLEAR ROHS †
 SC = STEEL, CAD YELLOW PLATED
 SZN = STEEL, ZINC NICKEL 800 HOURS
 BP = BRASS, PLAIN FINISH

EXAMPLE:
 Part Code 6C1NHL in Steel,
 Zinc Clear Plating is... 6C1NHLSZ

† Indicates stocked configurations

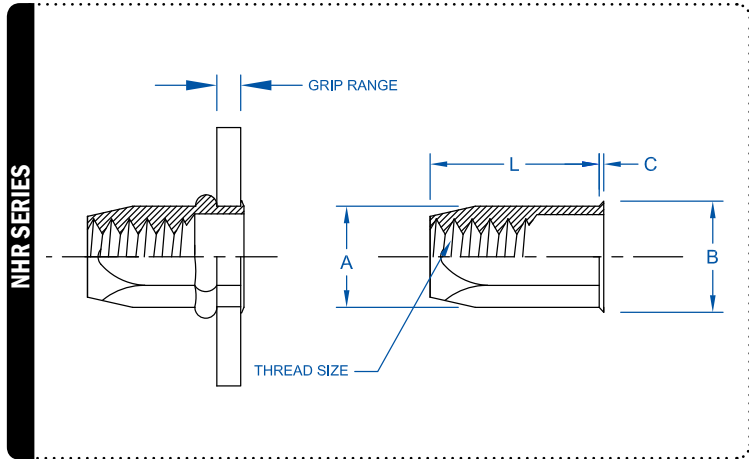
NHR SERIES™ FULL HEX BODY - REDUCED HEAD

EUROPEAN STANDARD RIVETNUTS • HEAVYWALL RIVETNUTS

RIVETNUTS



The RivetKing NHR Series is a heavywall European Style Rivetnut. This robust design upgrades the thickness of both the body which provides increased endurance of the joint and assembly. NHR series has a reduced head and a full hex shaped body which resist spin out. Spin-Pull tools are recommended for installation of NHR series rivetnuts.



INCH	PART CODE	THREAD SIZE (INCH)	GRIP CODE	GRIP RANGE	OVERALL LENGTH REF	HEAD DIA ACROSS FLATS REF.	HEAD HEIGHT REF.	BODY DIAMETER ACROSS FLATS REF.	HOLE SIZE ACROSS FLATS +.000/- .004
		8C1NHR	8-32 UNC	#1	.027 - .125	.402	.260	.012	.235
	10F1NHR	10-32 UNF	#1	.027 - .125	.571	.311	.016	.275	.280
	25C1NHR	1/4-20 UNC	#1	.027 - .125	.638	.390	.016	.354	.361
	31C1NHR	5/16-18 UNC	#1	.027 - .125	.717	.457	.016	.432	.440
	31C2NHR	5/16-18 UNC	#2	.125 - .220	.827	.457	.016	.432	.440
	37C1NHR	3/8-16 UNC	#1	.030 - .140	.906	.559	.020	.511	.519

METRIC	PART CODE	THREAD SIZE (METRIC)	GRIP CODE	GRIP RANGE	LENGTH REF.	HEAD DIA ACROSS FLATS REF.	HEAD HEIGHT REF.	BODY DIAMETER ACROSS FLATS REF.	HOLE SIZE ACROSS FLATS +.00/- .01
		.40C1NHR	M4	#1	0.25 - 2.00	10.00	6.60	.30	6.00
	.50C1NHR	M5	#1	0.50 - 3.00	13.00	7.70	.40	7.00	7.10
	.60C1NHR	M6	#1	0.50 - 3.00	14.50	9.80	.40	9.00	9.10
	.80C1NHR	M8	#1	0.50 - 3.00	16.50	11.80	.40	11.00	11.10
	.80C2NHR	M8	#2	3.00 - 5.50	19.50	11.80	.40	11.00	11.10
	.100C1NHR	M10	#1	1.00 - 3.50	21.00	14.00	.50	13.00	13.10
	.120C1NHR	M12	#1	1.00 - 4.00	25.00	17.50	.60	16.00	16.10

THE PART NUMBER IS COMPLETE BY ADDING THE MATERIAL AND FINISH CODES AS A SUFFIX TO THE PART CODE:

MATERIAL/FINISH CODES: SY = STEEL, ZINC YELLOW ROHS
 SZ = STEEL, ZINC CLEAR ROHS †
 SC = STEEL, CAD YELLOW PLATED
 SZN = STEEL, ZINC NICKEL 800 HOURS
 BP = BRASS, PLAIN FINISH

EXAMPLE:
 Part Code 6C1NHR in Steel,
 Zinc Clear Plating is... 6C1NHRSZ

† Indicates stocked configurations



CROSS REFERENCE TABLE BY PART NUMBER

RIVETKING®	AVK®	ATLAS®	SHEREX®	MARSON®	CELUS®	POP®
6C1KFSY	ALS4-632-80	AELS-632-80	CAL2-0632-080	57310		TLS1-632-80
6C2KFSY	ALS4-632-130	AELS-632-130	CAL2-0632-130	57312		TLS1-632-130
8C1KFSY	ALS4-832-80	AELS-832-80	CAL2-0832-080	57320		TLS1-832-80
8C2KFSY	ALS4-832-130	AELS-832-130	CAL2-0832-130	57321		TLS1-832-130
10C1KFSY	ALS4-1024-130		CAL2-1024-130	57330		TLS1-1024-130
10C2KFSY	ALS4-1024-225		CAL2-1024-225	57332		TLS1-1024-225
10F1KFSY	ALS4-1032-130	AELS-1032-130	CAL2-1032-130	57340		TLS1-1032-130
10F2KFSY	ALS4-1032-225	AELS-1032-225	CAL2-1032-225	57342		TLS1-1032-225
25C1KFSY	ALS4-420-165	AELS-420-165	CAL2-2520-165	57350		TLS1-420-165
25C2KFSY	ALS4-420-260	AELS-420-260	CAL2-2520-260	57354		TLS1-420-260
31C1KFSY	ALS4-518-150	AELS-518-150	CAL2-3118-150	57371		TLS1-518-150
31C2KFSY	ALS4-518-312	AELS-518-312	CAL2-3118-312	57374		TLS1-518-312
37C1KFSY	ALS4-616-150	AELS-616-150	CAL2-3716-150	57381		TLS1-616-150
37C2KFSY	ALS4-616-312	AELS-616-312	CAL2-3716-312	57382		TLS1-616-312
50C1KFSY	ALS4-813-200	AELS-813-200	CAL2-5013-200			TLS1-813-200
50C2KFSY	ALS4-813-350	AELS-813-350	CAL2-5013-350			TLS1-813-350
6C1KRSY	AKS4-632-080	AEKS-632-80	CAK2-0632-080	56810		TKS1-632-80
6C2KRSY	AKS4-632-130	AEKS-632-130	CAK2-0632-130	56812		TKS1-632-130
8C1KRSY	AKS4-832-080	AEKS-832-80	CAK2-0832-080	56820		TKS1-832-80
8C2KRSY	AKS4-832-130	AEKS-832-130	CAK2-0832-130	56821		TKS1-832-130
10C1KRSY	AKS4-1024-130		CAK2-1024-130	56830		TKS1-1024-130
10C2KRSY	AKS4-1024-225		CAK2-1024-225	56832		TKS1-1024-225
10F1KRSY	AKS4-1032-130	AEKS-1032-130	CAK2-1032-130	56840		TKS1-1032-130
10F2KRSY	AKS4-1032-225	AEKS-1032-225	CAK2-1032-225	56842		TKS1-1032-225
25C1KRSY	AKS4-420-165	AEKS-420-165	CAK2-2520-165	56850		TKS1-420-165
25C2KRSY	AKS4-420-260	AEKS-420-260	CAK2-2520-260	56854		TKS1-420-260
31C1KRSY	AKS4-518-150	AEKS-518-150	CAK2-3118-150	56871		TKS1-518-150
31C2KRSY	AKS4-518-312	AEKS-518-312	CAK2-3118-312	56874		TKS1-518-312
37C1KRSY	AKS4-616-150	AEKS-616-150	CAK2-3716-150	56881		TKS1-616-150
37C2KRSY	AKS4-616-312	AEKS-616-312	CAK2-3716-312	56882		TKS1-616-312
4C1IRLSZ	RNS-440-60		CA-0440S-060			
4C2IRLSZ	RNS-440-85		CA-0440S-085			
4C3IRLSZ	RNS-440-110		CA-0440S-110			
6C1IRLSZ	RNS-632-75		CA-0632S-075	57110		
6C2IRLSZ	RNS-632-120		CA-0632S-120			
6C3IRLSZ	RNS-632-160		CA-0632S-160			
8C1IRLSZ	RNS-832-75		CA-0832S-075	57120		
8C2IRLSZ	RNS-832-120		CA-0832S-120	57121		
8C3IRLSZ	RNS-832-160		CA-0832S-160			
10C1IRLSZ			CA-1024S-080	57130		
10C2IRLSZ			CA-1024S-130	57132		
10C3IRLSZ			CA-1024S-180			
10F1IRLSZ	RNS-1032-80		CA-1032S-080	57140		
10F2IRLSZ	RNS-1032-130		CA-1032S-130	57142		
10F3IRLSZ	RNS-1032-180		CA-1032S-180			
25C1IRLSZ	RNS-420-80		CA-2520S-080	57150		STS1-420-80
25C2IRLSZ	RNS-420-140		CA-2520S-140	57152		STS1-420-140
25C3IRLSZ	RNS-420-200		CA-2520S-200	57154		STS1-420-200
31C1IRLSZ	RNS-518-125		CA-3118S-125	57171		STS1-518-125
31C2IRLSZ	RNS-518-200		CA-3118S-200	57174		STS1-518-200
31C3IRLSZ	RNS-518-275		CA-3118S-275			-
37C1IRLSZ	RNS-616-115		CA-3716S-115	57181		STS1-616-115
37C2IRLSZ	RNS-616-200		CA-3716S-200	57184		STS1-616-200
37C3IRLSZ	RNS-616-285		CA-3716S-285			-
50C1IRLSZ	RNS-813-150		CA-5013S-150			STS1-813-150
50C2IRLSZ	RNS-813-250		CA-5013S-250			STS1-813-250
50C3IRLSZ	RNS-813-350		CA-5013S-350			
6C1IRRSZ	AOS4-632-80	AEOS-632-80	CAO2-0632-080	57415	CS632-080-SF	
8C1IRRSZ	AOS4-832-80	AEOS-832-80	CAO2-0832-080	57425	CS832-080-SF	
10C1IRRSZ	AOS4-1024-130	AEOS-1024-130	CAO2-1024-130	57435	CS1024-130-SF	
10F1IRRSZ	AOS4-1032-130	AEOS-1032-130	CAO2-1032-130	57445	CS1032-130-SF	
25C1IRRSZ	AOS4-420-165	AEOS-420-165	CAO2-2520-165	57455	CS1420-165-SF	
31C1IRRSZ	AOS4-518-200	AEOS-518-200	CAO2-3118-200	57475	CS51618-200-SF	
37C1IRRSZ	AOS4-616-200	AEOS-616-200	CAO2-3716-200	57485	CS3816-200-SF	
6C1IRRAP				57510	CA632-080-SF	
8C1IRRAP				57520	CA832-080-SF	
10C1IRRAP				57530	CA1024-130-SF	
10F1IRRAP				57540	CA1032-130-SF	
25C1IRRAP				57550	CA1420-165-SF	
31C1IRRAP				57575	CA51618-200-SF	
37C1IRRAP				57585	CA3816-200-SF	

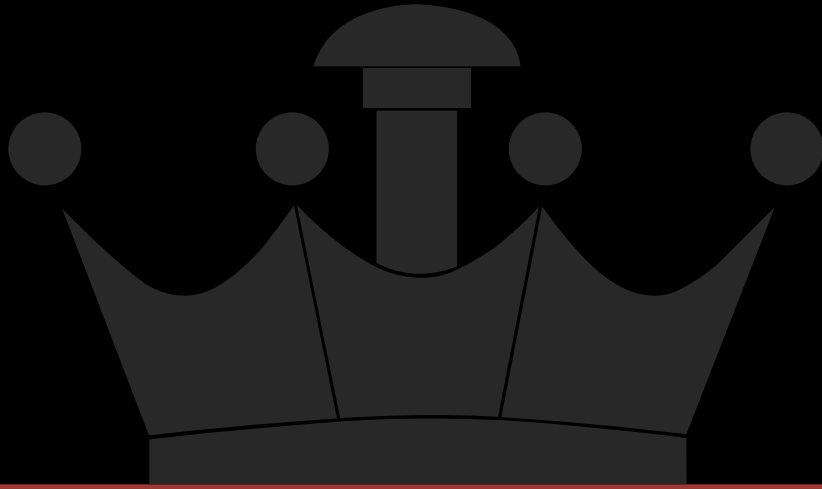
AVK® IS A REGISTERED TRADEMARK OF SRS® FASTENERS, A DIVISION OF POPCO® COMPANY. ATLAS® IS A REGISTERED TRADEMARK OF PENN ENGINEERING®. SHEREX® IS A REGISTERED TRADEMARK OF SHEREX FASTENING SOLUTIONS®. POPCO® IS A REGISTERED TRADE MARK OF EMHART CORPORATION®, A DIVISION OF BLACK & DECKER®. MARSON® IS A REGISTERED TRADE MARK OF FALCOH®. CELUS® AND RIVENING® IS A REGISTERED TRADEMARK OF THE INDUSTRIAL NUT & FASTENER COMPANY, INC.

CROSS REFERENCE TABLE BY PART NUMBER

AVK® IS A REGISTERED TRADEMARK OF SPS® FASTENERS, A DIVISION OF PCC® COMPANY. ATLAS® IS A REGISTERED TRADEMARK OF PENN ENGINEERING®. SHEREX® IS A REGISTERED TRADEMARK OF SHEREX FASTENING SOLUTIONS®. POP® IS A REGISTERED TRADEMARK OF ENHART CORPORATION®. A DIVISION OF BLACK & DECKER®. MARSON® IS A REGISTERED TRADE MARK OF ALCOA®. CELUS® AND RIVETING® IS A REGISTERED TRADEMARK OF THE INDUSTRIAL RIVET & FASTENER COMPANY, INC.

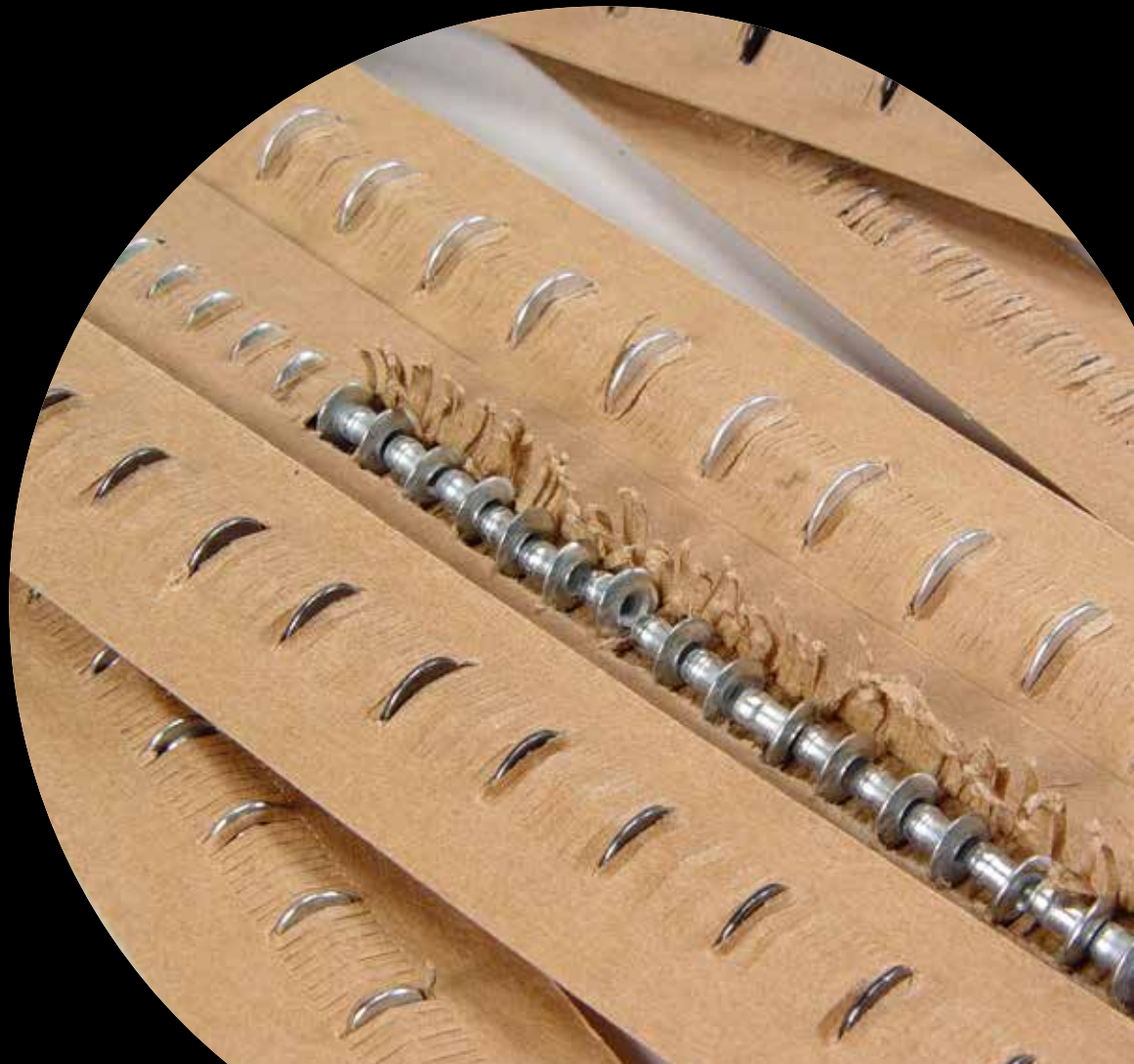
RIVETKING®	AVK®	ATLAS®	SHEREX®	MARSON®	CELUS®	POP®
6C1ISNSZ	AWS2-632		CFW2-0632			
8C1ISNSZ	AWS2-832		CFW2-0832			
10C1ISNSZ	AWS2-1024		CFW2-1024			
10F1ISNSZ	AWS2-1032		CFW2-1032			
25C1ISNSZ	AWS2-420		CFW2-2520			
31C1ISNSZ	AWS2-518		CFW2-3118			
37C1ISNSZ	AWS2-616		CFW2-3716			
4C1ISRSZ	ATS2-440	AETS-440	CFT2-0440			
6C1ISRSZ	ATS2-632	AETS-632	CFT2-0632	57810		
8C1ISRSZ	ATS2-832	AETS-832	CFT2-0832	57820		
10C1ISRSZ	ATS2-1024	AETS-1024	CFT2-1024	57830		
10F1ISRSZ	ATS2-1032	AETS-1032	CFT2-1032	57840		
25C1ISRSZ	ATS2-420	AETS-420	CFT2-2520	57850		
31C1ISRSZ	ATS2-518	AETS-518	CFT2-3118	57871		
37C1ISRSZ	ATS2-616	AETS-616	CFT2-3716	57881		
50C1ISRSZ	ATS2-813	AETS-813	CFT2-5013			
6C1IHFSY	AHS4-632-80	AEHS-632-80	CAH2-0632-080	52610		THS1-632-80
6C2IHFSY	AHS4-632-130	AEHS-632-130	CAH2-0632-130	52612		THS1-632-130
8C1IHFSY	AHS4-832-80	AEHS-832-80	CAH2-0832-080	52620		THS1-832-80
8C2IHFSY	AHS4-832-130	AEHS-832-130	CAH2-0832-130	52621		THS1-832-130
10C1IHFSY	AHS4-1024-130		CAH2-1024-130	52630		THS1-1024-130
10C2IHFSY	AHS4-1024-225		CAH2-1024-225	52632		THS1-1024-225
10F1IHFSY	AHS4-1032-130	AEHS-1032-130	CAH2-1032-130	52640		THS1-1032-130
10F2IHFSY	AHS4-1032-225	AEHS-1032-225	CAH2-1032-225	52642		THS1-1032-225
25C1IHFSY	AHS4-420-165	AEHS-420-165	CAH2-2520-165	52650		THS1-420-165
25C2IHFSY	AHS4-420-260	AEHS-420-260	CAH2-2520-260	52654		THS1-420-260
31C1IHFSY	AHS4-518-150	AEHS-518-150	CAH2-3118-150	52671		THS1-518-150
31C2IHFSY	AHS4-518-312	AEHS-518-312	CAH2-3118-312	52674		THS1-518-312
37C1IHFSY	AHS4-616-150	AEHS-616-150	CAH2-3716-150	52681		THS1-616-150
37C2IHFSY	AHS4-616-312	AEHS-616-312	CAH2-3716-312	52684		THS1-616-312
JF-3100						E632
JF-3250						C632
JF-4100						B832
JF-5150						10S
JF-5170						Q1032
JF-5190						H1032
JF-5250						10SL
JF-6150						1/4S
JF-6200						D1420
JF-6250						J1420
JF-8200						E51618
JF-8250						F51618
JF-1027						A3816
JK-0401						4SJN
JK-0402						4LJN
JK-0501						6SJN
JK-0502						6LJN
JK-0601						8SJN
JK-0602						8LJN
10F1IPBSY			CPB2-1032-175			
10F2IPBSY			CPB2-1032-320			
25C1IPBSY	ARS4-420-280	AES25P280PB	CPB2-2520-280			
25C2IPBSY	ARS4-420-500	AES25P500PB	CPB2-2520-500			
31C1IPBSY	ARS4-518-280	AES31P280PB	CPB2-3118-280			
31C2IPBSY	ARS4-518-500	AES31P500PB	CPB2-3118-500			
.50C1IPBSY			CPB2-580-4.45			
.50C2IPBSY			CPB2-580-8.1			
.60C1IPBSY	ARS4-610-7.1	AESM6P7.1PB	CPB2-610-7.1			
.60C2IPBSY	ARS4-610-12.7	AESM6P12.7PB	CPB2-610-12.7			
.80C1IPBSY	ARS4-8125-7.1	AESM8P7.1PB	CPB2-8125-7.1			
.80C2IPBSY	ARS4-8125-12.7	AESM8P12.7PB	CPB2-8125-12.7			
10F1IPNSY			CPN2-1032-175			
10F2IPNSY			CPN2-1032-320			
25C1IPNSY	ARS4-420-280		CPN2-2520-280			
25C2IPNSY	ARS4-420-500		CPN2-2520-500			
31C1IPNSY	ARS4-518-280		CPN2-3118-280			
31C2IPNSY	ARS4-518-500		CPN2-3118-500			
.50C1IPNSY			CPN2-580-4.45			
.50C2IPNSY			CPN2-580-8.1			
.60C1IPNSY	ARS4-610-7.1		CPN2-610-7.1			
.60C2IPNSY	ARS4-610-12.7		CPN2-610-12.7			
.80C1IPNSY	ARS4-8125-7.1		CPN2-8125-7.1			
.80C2IPNSY	ARS4-8125-12.7		CPN2-8125-12.7			





 QUICKRIVETING SYSTEM

RIVETKING® QUICKRIVETING SYSTEM®



WHAT IS QUICKRIVETING?

THE MODERN, FASTER, LOW FINISHED COST SUCCESSOR TO BLIND RIVETING.

QuickRivets are permanent fastener designed for blind or 1 sided riveting in medium and high volume applications. Rivets are aligned in a paper strip called a pod or magazine so that the rivets can be automatically fed into the quickriveter. The result? An increased output, lower assembly cost and labor saving permanent fastening solution.

WHY QUICKRIVETING?

Increased Output

QuickRivets can be installed up to 4 times faster than traditional blind rivets or screws. Cycle times are limited to less than 2 seconds and installation speeds can reach up to 30 ppm (Semi-Automatic) and 60 ppm (Fully Automatic).

Reduced Labor

Many users require additional labor to pre-install standard rivets or screws for faster assembly. The QuickRivet eliminates this task, by allowing the user to feed the rivets themselves. And in those applications where the user is installing the standard blind rivet or screw individually by hand, the QuickRivet offers the increased assembly speed because the feed of the tool occurs once per pod, as apposed to once per rivet. The increased output leads to a reduction the number of assemblers required to meet the manufacturing demand of your product.

Minimal Wasted, Improved Safety

Standard blind rivets have a disposable nail or mandrel that can pose a safety problem when dropped on the floor. The QuickRivet System employs a re-usable mandrel that can be used for up to 50K rivets. The only waste generated is that of the paper pods (made of recycled paper), which can again be recycled.

Cost Savings

Increased Output & Production Capacity, Reduced Labor Cost, Minimized Waste and Improved Safety equals overall cost savings to the user.

Improved Joint Quality and Performance

Permanent fastening offers a higher clamp up value then that of screws. In addition, because of the clamping force applied, the joint is more secure when under shear and tension loads as well as resists vibration.

Fine Tuning and Flexibility

Due to the variety of rivet types, materials, front jaw assemblies, and mandrel sizes, the QuickRiveting System® can be fine tuned to work perfectly with your application. Whether a tight clinch for good hole fill or a light clinch for use as a pivot or when used with fragile PCB's. The QuickRivet System is completely customizable, yet can be interchanged with other QuickRiveting products for use on other assembly lines.

Reliability and Consistency

When the proper QuickRiveting Components are selected, you can be sure that the rivets will perform consistently both during and after assembly, eliminating the need for frequent adjustments.

Perfect for Electronic and PCB Applications

A Typical problem in standard blind riveting for electronic applications is due to the remaining portion of the nail or mandrel left in the rivet after assembly. Under the right conditions this small piece of the mandrel can fall out of the rivet into the electronic component causing a short circuit. QuickRivets are not affected by this condition because the mandrel is completely withdrawn from the rivet during assembly. In addition, QuickRivets are a great catalyst in dispersing heat generated in electronic components which makes it perfect for high temperature environments such as HeatSinks, Rambus Fixtures and Microchips.



DOME HEAD

COUNTERSUNK HEAD

ZIPRIV®



ZIPSHO®



ZIPSCREW®

RIVETKING® RK-753™ ASSEMBLY TOOL

RK-753 QUICKRIVETING HAND TOOL

BUILT WITH SPEED, POWER, AND RELIABILITY IN MIND, THE RK-753™ IS YOUR TURNKEY SOLUTION TO INSTALLING ZIPRIV®, ZIPSHO®, ZIPScrew®, AND ZIPGROOVE™ QUICKRIVETING PRODUCTS.

The RK-753 HydraPneumatic QuickRiveter™ separates the nose of the tool from the weight of the tool body, therefore, the operator carries only 2.37 lbs, while the heavier remote intensifier is stored at ground level. In addition, an on-board oil reservoir allows for proper lubrication during use. Applicable nose pieces, mandrels, springs, and spare parts are always available from your local distributor.



RK-753-P3 QUICKRIVETING HAND TOOL



TECHNICAL SPECIFICATION AND PERFORMANCE DATA

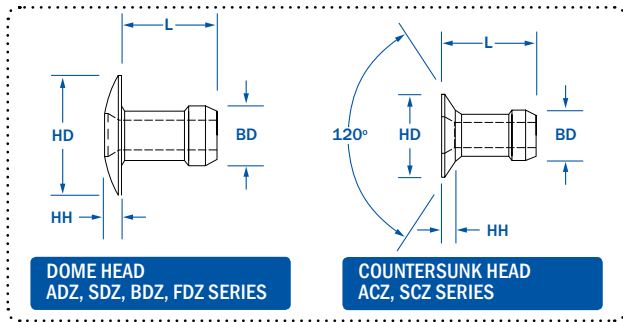
Setting Capacity:	3/32" (2.4) - 1/8" (3.2) - 5/32" (4.0) - 3/16" (4.8)
Rivet Types:	Rivetking® Zipriv®, Zipsho®, ZipScrew®, ZipGroove™ and ZipTronic™, Avdel®, Briv®, Chobert®, Rivscrew®, Grovit® and Avlug®, Avtronic®
Air Supply Pressure:	72.5 - 101.5 psi
Free Air Pressure:	74 psi with 158.66 in
Traction Power @ 90psi:	874 lb/f
Stroke Length:	1.18" Minimum
Cycle Time:	1-2 Seconds
Weight:	2.376 lbs
Vibration:	2.7 m/s
Overall Length:	18.70" Inches
Noise Level:	70 dBa Max.
Intensification Ratio:	30:1

1) ZIPRIV®, ZIPSHO®, ZIPScrew®, ZIPGROOVE™ AND ZIPTRONIC™ ARE REGISTERED TRADEMARKS OF INDUSTRIAL RIVET & FASTENER CO.

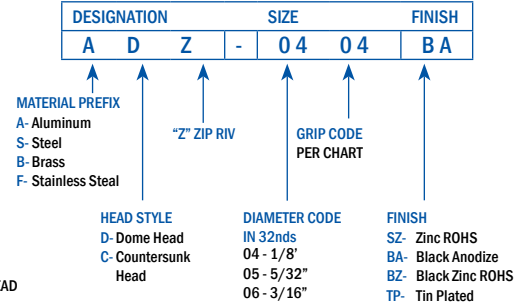
2) BRIV®, CHOBERT®, RIVSCREW®, GROVIT® AND AVLUG®, AVTRONIC® ARE REGISTERED TRADEMARKS OF AVDEL®, ACUMENT™ GLOBAL TECHNOLOGIES COMPANY, COPYRIGHT © 2007 ACUMENT™ INTELLECTUAL PROPERTIES LLC.

3) INDUSTRIAL RIVET & FASTENER CO. AND RIVETKING® ARE IN NO WAY ASSOCIATED WITH AVDEL®, ACUMENT™ GLOBAL TECHNOLOGIES COMPANY, COPYRIGHT © 2007 ACUMENT™ INTELLECTUAL PROPERTIES LLC.

Extensively used in sheet metal fabrication, ZipRiv® offers a high clamp up to steel, brass, aluminum and some plastic substrates. The ZipRiv® can be identified by its bulge towards the tail of the rivet. Offered in dome and countersunk head styles in a variety of materials and finishes.



BUILDING A ZIPRIV PART NUMBER



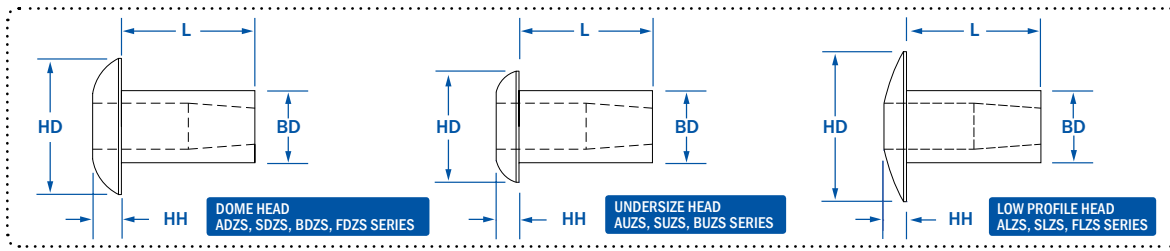
	PART NUMBER	GRIP RANGE	LENGTH LENGTH MAX.	PCS/ POD PCS/ POD +/-1	HOLE SIZE		BD BODY DIA MAX	HD HEAD DIA MAX	HH HEAD HEIGHT MAX	
					MIN	MAX				
DOMES HEAD	3/32" (2.4)	(X)DZ - 0304	.045-.095 (1.14-2.42)	.157 (3.98)	64	.093 (2.36)	.096 (2.44)	.0923 (2.35)	.162 (4.30)	.035 (0.89)
		(X)DZ - 0306	.085-.135 (2.15-3.43)	.197 (5.00)	52					
		(X)DZ - 0308	.125-.175 (3.17-4.45)	.237 (6.02)	44					
	1/8" (3.2)	(X)DZ - 0403	.025-.075 (0.64-1.91)	.152 (3.86)	59	.1285 (3.26)	.1315 (3.34)	.1235 (3.14)	.257 (6.60)	.039 (0.99)
		(X)DZ - 0404	.045-.095 (1.14-2.42)	.172 (4.37)	58					
		(X)DZ - 0405	.065-.115 (1.65-2.87)	.192 (4.87)	50					
		(X)DZ - 0406	.085-.135 (2.15-3.43)	.212 (5.39)	48					
		(X)DZ - 0408	.125-.175 (3.17-4.45)	.252 (6.41)	42					
		(X)DZ - 0410	.165-.215 (4.19-5.47)	.292 (7.42)	37					
		(X)DZ - 0412	.215-.255 (5.20-6.48)	.332 (8.44)	33					
	5/32" (4.0)	(X)DZ - 0414	.245-.295 (6.22-7.50)	.372 (9.45)	29	.1562 (3.97)	.1592 (4.04)	.1525 (3.88)	.332 (8.30)	.039 (0.99)
		(X)DZ - 0505	.062-.115 (1.57-2.93)	.193 (4.91)	52					
		(X)DZ - 0507	.105-.155 (2.66-3.94)	.233 (5.92)	44					
		(X)DZ - 0509	.145-.195 (3.68-4.96)	.273 (6.94)	39					
		(X)DZ - 0511	.185-.235 (4.69-5.97)	.313 (7.95)	34					
		(X)DZ - 0513	.225-.275 (5.71-6.99)	.353 (8.97)	31					
		(X)DZ - 0515	.265-.315 (6.73-8.00)	.393 (9.98)	26					
	3/16" (4.8)	(X)DZ - 0606	.065-.130 (1.65-3.30)	.212 (5.39)	46	.191 (4.85)	.194 (4.93)	.1875 (4.77)	.382 (9.80)	.046 (1.17)
		(X)DZ - 0607	.080-.155 (2.03-3.94)	.240 (6.10)	42					
		(X)DZ - 0609	.145-.205 (3.68-5.21)	.290 (7.37)	35					
(X)DZ - 0611		.195-.255 (4.95-6.48)	.340 (8.64)	31						
(X)DZ - 0613		.245-.305 (6.22-7.75)	.390 (9.91)	27						
(X)DZ - 0615		.295-.355 (7.49-9.02)	.440 (11.18)	24						
(X)DZ - 0617		.345-.405 (8.76-10.29)	.490 (12.45)	22						
(X)DZ - 0619	.395-.455 (10.03-11.56)	.530 (13.46)	20							
COUNTERSUNK HEAD	1/8" (3.2)	(X)CZ - 0404	.057-.067 (1.45-1.70)	.165 (4.19)	72	.1285 (3.26)	.1315 (3.34)	.1245 (3.17)	.230 (5.50)	0.027 (0.74)
		(X)CZ - 0405	.050-.090 (1.27-2.29)	.170 (4.32)	72					0.029 (0.69)
		(X)CZ - 0406	.060-.110 (1.52-2.79)	.188 (4.77)	64					0.03 (0.76)
		(X)CZ - 0407	.100-.150 (2.54-3.81)	.228 (5.79)	52					
		(X)CZ - 0408	.140-.190 (3.56-4.83)	.268 (6.81)	44					
		(X)CZ - 0410	.180-.230 (4.57-5.84)	.308 (7.82)	38					
		(X)CZ - 0411	.220-.270 (5.59-6.86)	.348 (8.84)	33					
	5/32" (4.0)	(X)CZ - 0505	.062-.115 (1.57-2.93)	.204 (5.18)	59	.1562 (3.97)	.1592 (4.04)	.1535 (3.90)	.240 (6.50)	0.04 (1.02)
		(X)CZ - 0506	.086-.135 (2.15-3.43)	.224 (5.69)	54					
		(X)CZ - 0507	.105-.155 (2.66-3.94)	.244 (6.19)	49					
		(X)CZ - 0509	.145-.195 (3.68-4.96)	.284 (7.21)	42					
		(X)CZ - 0511	.185-.235 (4.69-5.97)	.324 (8.22)	36					
		(X)CZ - 0513	.225-.275 (5.71-6.99)	.364 (9.24)	32					

NOTE: SHEAR AND TENSILE DATA VARIES BASED ON HOLE SIZE, ACTUAL GRIP AND SUBSTRATE MATERIAL SELECTION. FOR REFERENCE DATA PLEASE CONTACT THE ENGINEERING DEPARTMENT. FOR CRITICAL APPLICATIONS, WE SUGGEST OUR ENGINEERING DEPARTMENT PERFORM TESTING ON THE ACTUAL MATERIALS TO BE RIVETED. RESULTING DATA WILL BE PROVIDED UPON REQUEST.

METRIC DIMENSIONS ARE IN PARENTHESIS



Typically used in soft or brittle materials, ZipSho® is designed for fastening applications that may be sensitive to clamping force and shock. ZipSho® assembles materials such as acrylic, plastic, vinyl, rubber wood or brittle metals that can crack or break under extreme clamping pressure. An internally tapered hole uses controlled radial expansion of the tail which firmly fastens without adversely affecting the riveted substrates.



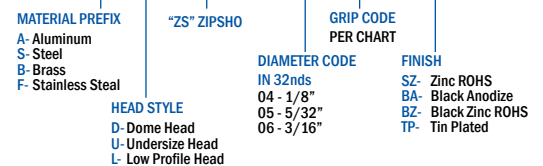
	PART NUMBER	GRIP RANGE	LENGTH LENGTH MAX.	PCS/ POD PCS/ POD +/-1	HOLE SIZE	BD BODY DIA MAX	HD HEAD DIA MAX	HH HEAD HEIGHT MAX								
DOME HEAD	3/32" (2.4)	(X)DZS-0304	.001-.062 (0.00-1.57)	.125 (3.17)	73	.098 (2.49)	.1005 (2.55)	.0975 (2.48)	.163 (4.3)	.037 (1.0)						
		(X)DZS-0306	.062-.125 (1.57-3.17)	.187 (4.75)	52											
		(X)DZS-0308	.125-.187 (3.17-4.75)	.250 (6.35)	41											
	1/8" (3.2)	(X)DZS-0404	.000-.062 (0.00-1.57)	.125 (3.17)	71	.129 (3.28)	.1315 (3.34)	0.1285 (3.27)	.217 (5.5)	.045 (1.2)						
		(X)DZS-0406	.062-.125 (1.57-3.17)	.187 (4.75)	51											
		(X)DZS-0408	.125-.187 (3.17-4.75)	.250 (6.35)	39											
		(X)DZS-0410	.187-.250 (4.75-6.35)	.312 (7.92)	32											
		(X)DZS-0412	.250-.312 (6.35-7.92)	.375 (9.52)	27											
		(X)DZS-0506	.062-.125 (1.57-3.17)	.187 (4.75)	47											
	5/32" (4.0)	(X)DZS-0508	.125-.187 (3.17-4.75)	.250 (6.35)	38	.161 (4.09)	0.164 (4.16)	.1595 (4.06)	.257 (6.5)	.058 (1.5)						
		(X)DZS-0510	.187-.250 (4.75-6.35)	.312 (7.92)	31											
		(X)DZS-0512	.250-.312 (6.35-7.92)	.375 (9.52)	27											
		(X)DZS-0514	.312-.375 (7.92-9.52)	.437 (11.1)	23											
		(X)DZS-0516	.375-.437 (9.52-11.10)	.500 (12.7)	21											
		(X)DZS-0605	.000-.062 (0.00-1.57)	.156 (3.96)	50											
	3/16" (4.8)	(X)DZS-0607	.062-.125 (1.57-3.17)	.219 (5.56)	38	.191 (4.85)	.194 (4.93)	.1895 (4.82)	.351 (8.9)	.071 (1.8)						
		(X)DZS-0609	.125-.187 (3.17-4.75)	.281 (7.17)	33											
		(X)DZS-0611	.187-.250 (4.75-6.35)	.344 (8.74)	28											
(X)DZS-0613		.250-.312 (6.35-7.92)	.406 (10.31)	24												
(X)DZS-0615		.312-.375 (7.92-9.52)	.469 (11.91)	21												
(X)DZS-0617		.375-.437 (9.52-11.10)	.531 (13.49)	19												
(X)DZS-0619		.437-.500 (11.10-12.70)	.594 (15.09)	17												
UNDERSIZE HEAD		1/8" (3.2)	(X)UZS-0404	.000-.062 (0.00-1.57)	.125 (3.17)						71	.120 (3.048)	.123 (3.124)	.1185 (3.01)	.217 (5.52)	.045 (1.15)
			(X)UZS-0406	.062-.125 (1.57-3.17)	.187 (4.75)						51					
	(X)UZS-0408		.125-.187 (3.17-4.75)	.250 (6.35)	39											
	(X)UZS-0410		.187-.250 (4.75-6.35)	.312 (7.92)	32											
	(X)UZS-0412		.250-.312 (6.35-7.92)	.375 (9.52)	27											
LOW PROFILE HEAD	1/8" (3.2)	(X)LZS-0404	.000-.062 (0.00-1.57)	.125 (3.17)	71	.129 (3.28)	.1315 (3.34)	0.1285 (3.27)	.262 (6.66)	.041 (1.05)						
		(X)LZS-0406	.062-.125 (1.57-3.17)	.187 (4.75)	51											
		(X)LZS-0408	.125-.187 (3.17-4.75)	.250 (6.35)	39											
		(X)LZS-0410	.187-.250 (4.75-6.35)	.312 (7.92)	32											
		(X)LZS-0412	.250-.312 (6.35-7.92)	.375 (9.52)	27											
		(X)LZS-0605	.000-.062 (0.00-1.57)	.156 (3.96)	50											
	3/16" (4.8)	(X)LZS-0607	.062-.125 (1.57-3.17)	.219 (5.56)	38	.191 (4.85)	.194 (4.93)	.1895 (4.82)	.396 (10.06)	.065 (1.66)						
		(X)LZS-0609	.125-.187 (3.17-4.75)	.281 (7.17)	33											
		(X)LZS-0611	.187-.250 (4.75-6.35)	.344 (8.74)	28											
		(X)LZS-0613	.250-.312 (6.35-7.92)	.406 (10.31)	24											
		(X)LZS-0615	.312-.375 (7.92-9.52)	.469 (11.91)	21											
		(X)LZS-0617	.375-.437 (9.52-11.10)	.531 (13.49)	19											
		(X)LZS-0619	.437-.500 (11.10-12.70)	.594 (15.09)	17											

NOTE: SHEAR AND TENSILE DATA VARIES BASED ON HOLE SIZE, ACTUAL GRIP AND SUBSTRATE MATERIAL SELECTION. FOR REFERENCE DATA PLEASE CONTACT THE ENGINEERING DEPARTMENT. FOR CRITICAL APPLICATIONS, WE SUGGEST OUR ENGINEERING DEPARTMENT PERFORM TESTING ON THE ACTUAL MATERIALS TO BE RIVETED. RESULTING DATA WILL BE PROVIDED UPON REQUEST.

METRIC DIMENSIONS ARE IN PARENTHESIS

BUILDING A ZIPSHO PART NUMBER

DESIGNATION	SIZE	FINISH
A D ZS -	04 06	BA



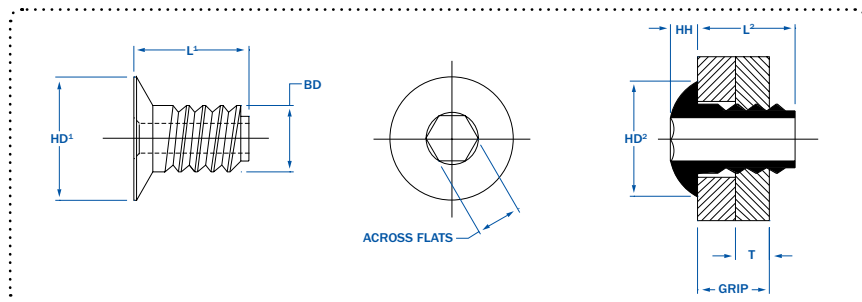
RIVETKING® ZIPSCREW®

THE FOLLOWING PRODUCT IS COVERED UNDER THE FOLLOWING PATENT/TRADemark: 3,668,000

ROHS COMPLIANT

QUICKRIVETING SYSTEM

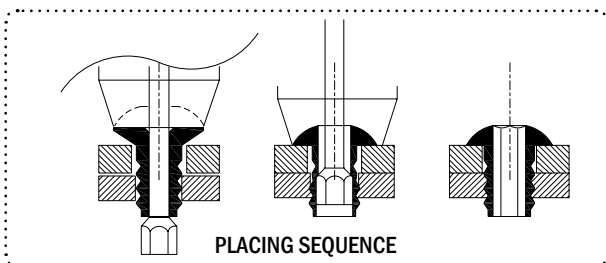
The RivetKing® ZipScrew® is a unique fastener which allows for the continuous removal and replacement after it is installed. Most often its used in electronics where the removal and replacement of microchips, chipsets, mosfets, access doors and other areas where the removal of the rivet by the end user may be required. Often times the ZipScrew® is preferred over traditional screws since the user benefits from the installation speed of a rivet and the removability of a screw. Once installed, the user can use a standard hex key to remove the rivet, and later reinstall the rivet just like a screw. The ZipScrew® radial expands resulting in a vibration resistant assembly. Can be used in materials with less than 105 Hv5 hardness.



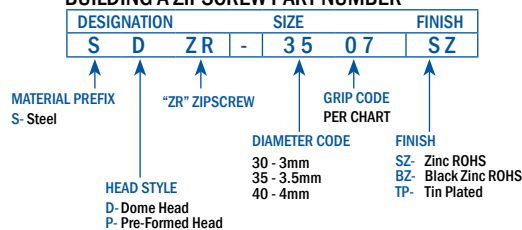
	PART NUMBER	GRIP RANGE	L1 LENGTH AS INSTALLED	L2 LENGTH AS INSTALLED	PCS/POD	HOLE SIZE FRONT SHEET		HOLE SIZE REAR SHEET		BD BODY DIA	HD HEAD DIA AS SUPPLIED	HD2 BODY DIA AS INSTALLED	HH HEAD HEIGHT AS INSTALLED	T THICKNESS REAR SHEET
		MAX	MAX	MAX		+/-1	MIN	MAX	MIN		MAX	MAX	MAX	MAX
3.0mm	SDZR - 3006	.112 (2.85)	.202 (5.2)	.157 (4.0)	62									
	SDZR - 3007	.151 (3.85)	.241 (6.1)	.196 (5.0)	52									
	SDZR - 3009	.190 (4.83)	.280 (7.1)	.235 (6.0)	43									
	SDZR - 3010	.229 (5.82)	.319 (8.1)	.274 (7.0)	38	.121 (3.07)	.124 (3.15)	.111 (2.82)	.114 (2.89)	.1107 (2.8)	.230 (5.7)	.240 (6.1)	.055 (1.4)	.064 (1.62)
	SDZR - 3011	.268 (6.81)	.359 (9.1)	.314 (8.0)	34									
	SDZR - 3012	.307 (7.80)	.397 (10.1)	.352 (9.0)	30									
	SDZR - 3016	.422 (10.72)	.515 (13.1)	.467 (11.9)	23									
3.5mm	SDZR - 3506	.112 (2.85)	.202 (5.2)	.157 (4.0)	62									
	SDZR - 3507	.151 (3.85)	.241 (6.1)	.196 (5.0)	52									
	SDZR - 3509	.190 (4.83)	.280 (7.1)	.235 (6.0)	43									
	SDZR - 3510	.229 (5.82)	.319 (8.1)	.274 (7.0)	38	.138 (3.50)	.141 (3.58)	.122 (3.10)	.125 (3.17)	.1215 (3.1)	.235 (5.8)	.240 (6.1)	.055 (1.4)	.064 (1.62)
	SDZR - 3511	.268 (6.81)	.359 (9.1)	.314 (8.0)	34									
	SDZR - 3512	.307 (7.80)	.397 (10.1)	.352 (9.0)	30									
	SDZR - 3517	.463 (11.76)	.553 (14.1)	.508 (12.9)	21									
4.0mm	SDZR - 4006	.112 (2.85)	.202 (5.2)	.157 (4.0)	62									
	SDZR - 4007	.151 (3.85)	.241 (6.1)	.196 (5.0)	52									
	SDZR - 4009	.190 (4.83)	.280 (7.1)	.235 (6.0)	43									
	SDZR - 4010	.229 (5.82)	.319 (8.1)	.274 (7.0)	38	.165 (4.19)		.142 (3.61)	.145 (3.68)	.1415 (3.6)	.235 (6.0)	.250 (6.4)	.055 (1.4)	.064 (1.62)
	SDZR - 4011	.268 (6.81)	.359 (9.1)	.314 (8.0)	34									
	SDZR - 4012	.307 (7.80)	.397 (10.1)	.352 (9.0)	30									
	SDZR - 4015	.385 (9.78)	.475 (12.1)	.430 (11.0)	25									

NOTE: SHEAR AND TENSILE DATA VARIES BASED ON HOLE SIZE, ACTUAL GRIP AND SUBSTRATE MATERIAL SELECTION. FOR REFERENCE DATA PLEASE CONTACT THE ENGINEERING DEPARTMENT. FOR CRITICAL APPLICATIONS, WE SUGGEST OUR ENGINEERING DEPARTMENT PERFORM TESTING ON THE ACTUAL MATERIALS TO BE RIVETED. RESULTING DATA WILL BE PROVIDED UPON REQUEST.

METRIC DIMENSIONS ARE IN PARENTHESIS



BUILDING A ZIPSCREW PART NUMBER



RIVETKING® Mandrel & Spring Consumables

PRODUCT	RIVET DIAMETER	MANDREL PART NUMBER	DESCRIPTION	MINIMUM APPLICATION HOLE SIZE	TIP COLOR IDENTIFIER	DIMENSIONS		SPRING PART NUMBER
						TD	L	
ZipRiv® Alu./St/Al/Brass	3/32" (2.4)	ZRTM-093-S	Standard Tip, Standard Length	.093" (2.36)	Green	.072" (1.83)	19" (483)	ZSTS-093
		ZRTM-093-1	#1 Oversize Tip, Standard Length	.097" (2.46)	Yellow	.076" (1.93)		
		ZRTM-093-2	#2 Oversize Tip, Standard Length	.101" (2.56)	Blue	.079" (2.01)		
ZipRiv® Alu./Steel/Brass	1/8" (3.2)	ZRTM-125-S	Standard Tip, Standard Length	.1285" (3.26)	Green	.092" (2.34)	19" (483)	ZRTS-125
		ZRTM-125-1	#1 Oversize Tip, Standard Length	.1335" (3.39)	Yellow	.097" (2.46)		
		ZRTM-125-2	#2 Oversize Tip, Standard Length	.1385" (3.51)	Blue	.102" (2.59)		
ZipRiv® Alu./Steel/Brass	5/32" (4.0)	ZRTM-156-S	Standard Tip, Standard Length	.1562" (3.97)	Green	.110" (2.79)	19" (483)	ZRTS-156
		ZRTM-156-1	#1 Oversize Tip, Standard Length	.1612" (4.1)	Yellow	.115" (2.92)		
		ZRTM-156-2	#2 Oversize Tip, Standard Length	.1662" (4.22)	Blue	.120" (3.05)		
ZipRiv® Alu./Steel/Brass	3/16" (4.8)	ZRTM-187-S	Standard Tip, Standard Length	.191" (4.85)	Green	.140" (3.58)	19" (483)	ZRTS-187
		ZRTM-187-1	#1 Oversize Tip, Standard Length	.196" (4.98)	Yellow	.145" (3.71)		
		ZRTM-187-2	#2 Oversize Tip, Standard Length	.201" (5.1)	Blue	.151" (3.84)		
		ZRTM-187-3	#3 Oversize Tip, Standard Length	.203" (5.15)	Red	.153" (3.85)		
ZipRiv® Stainless Steel	All Sizes	Contact our application engineering department. A broachload test must be conducted by RivetKing staff to determine the best mandrel for the application. Warning: Use of standard mandrels in stainless steel ZipRiv® can cause a potentially hazardous condition.						
ZipSho®	3/32" (2.4)	ZSTM-093-S	Standard Tip, Standard Length	.098 (2.49)	Green	.0725" (1.84)	19" (483)	ZRTS-093
		ZSTM-093-1	#1 Oversize Tip, Standard Length	.0995 (2.53)	Yellow	.074" (1.88)		
		ZSTM-093-2	#2 Oversize Tip, Standard Length	.1015 (2.58)	Blue	.076" (1.93)		
ZipSho®	1/8" (3.2)	ZSTM-125-S	Standard Tip, Standard Length	.129 (3.28)	Green	.088" (2.24)	19" (483)	ZRTS-125
		ZSTM-125-1	#1 Oversize Tip, Standard Length	.133 (3.38)	Yellow	.092" (2.34)		
		ZSTM-125-2	#2 Oversize Tip, Standard Length	.139 (3.53)	Blue	.098" (2.49)		
		ZSTM-125-3	#3 Oversize Tip, Standard Length	.143 (3.63)	Red	.102" (2.59)		
ZipSho®	5/32" (4.0)	ZSTM-156-S	Standard Tip, Standard Length	.161 (4.09)	Green	.107" (2.72)	19" (483)	ZRTS-156
		ZSTM-156-1	#1 Oversize Tip, Standard Length	.169 (4.29)	Yellow	.115" (2.92)		
		ZSTM-156-2	#2 Oversize Tip, Standard Length	.176 (4.47)	Blue	.122" (3.10)		
		ZSTM-156-3	#3 Oversize Tip, Standard Length	.186 (4.72)	Red	.132" (3.35)		
ZipSho®	3/16" (4.8)	ZSTM-187-S	Standard Tip, Standard Length	.191 (4.85)	Green	.132" (3.35)	19" (483)	ZRTS-187
		ZSTM-187-1	#1 Oversize Tip, Standard Length	.205 (5.2)	Yellow	.146" (3.71)		
		ZSTM-187-2	#2 Oversize Tip, Standard Length	.215 (5.45)	Blue	.156" (3.96)		
ZipScrew®	3.0mm	ZWTM-300-S	Standard Tip, Standard Length	See ZipScrew®	Green	.065" (1.65)	19" (483)	ZWTS-300
ZipScrew®	3.5mm	ZWTM-350-S	Standard Tip, Standard Length	See ZipScrew®	Yellow	.0825" (2.10)		ZWTS-350
ZipScrew®	4.0mm	ZWTM-400-S	Standard Tip, Standard Length	See ZipScrew®	Blue	.103" (2.62)		ZWTS-400

NOTE: LONG MANDRELS AND LONG SPRINGS ARE AVAILABLE. FOR LONG MANDRELS AND SPRINGS ADD THE FOLLOWING TO THE PART NUMBER.

- Standard Mandrels 19" (483) or Standard Springs: Specified Above
- Long Mandrels 20" (508) or Long Springs: Add "L" to the Part Number
- Extra Long Mandrels 21" (533): Add "XL" to the Part Number

METRIC DIMENSIONS ARE IN PARENTHESIS

ZIPRIV® MANDREL



ZIPSHO® MANDREL



ZIPSHO® SHORT REACH MANDREL **** SPECIAL ORDER **** FOR SHORT REACH MANDRELS ADD "SR" AS A SUFFIX TO THE PART NUMBER.



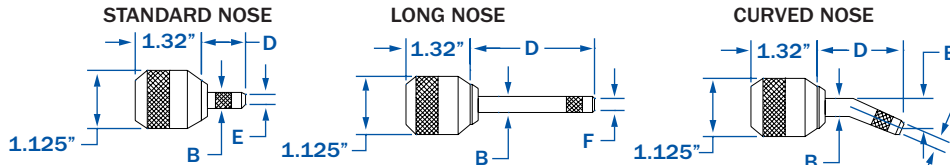
ZIPSCREW® MANDREL



RIVETKING® NOSE JAW SELECTION

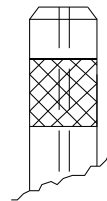
ROHS COMPLIANT

The nose jaw is an integral part of the QuickRiveting System®. The type of nose jaw you select is application dependent. While the flat end form is most common, the recessed end form allows for high clamp up or can be used to deform a countersunk head into a dome head. Long nose jaws are used in hard to reach or limited access areas. Nose jaws can be designed to fit your application. Contact our applications engineering department for custom designs and application assistance.

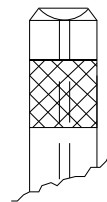


RIVET DIA.	PART NUMBER	NOSE TYPE & FORM	DIMENSIONS		
			B	D	E
3/32" (2.4)	Z-7150-3003	Standard Flat	.36" (9.14)	1.3" (33.02)	.16" (4.06)
	Z-7150-4003	Long Flat	.41" (10.41)	2.3" (58.42)	.16" (4.06)
	Z-7150-5003	Curved Long Flat	.41" (10.41)	2.28" (57.91)	.16" (4.06)
1/8" (3.2)	Z-7150-3004	Standard Flat	.41" (10.41)	1.18" (29.97)	.20" (5.08)
	Z-7170-3004	Standard Recessed	.41" (10.41)	1.20" (30.48)	.30" (7.62)
	Z-7150-4004	Long Flat	.41" (10.41)	2.18" (55.37)	.20" (5.08)
	Z-7170-3204	Long Recessed	.41" (10.41)	2.18" (55.37)	.30" (7.62)
	Z-7150-5004	Curved Long Flat	.41" (10.41)	2.22" (56.39)	.20" (5.08)
5/32" (4.0)	Z-7170-3304	Curved Long Recessed	.41" (10.41)	2.22" (56.39)	.30" (7.62)
	Z-7150-3005	Standard Flat	.48" (12.19)	1.30" (33.02)	.24" (6.10)
	Z-7170-3005	Standard Recessed	.48" (12.19)	1.32" (35.53)	.41" (10.41)
	Z-7150-4005	Long Flat	.48" (12.19)	2.30" (58.42)	.24" (6.10)
	Z-7170-3205	Long Recessed	.48" (12.19)	2.30" (58.42)	.41" (10.41)
	Z-7150-5005	Curved Long Flat	.48" (12.19)	2.23" (56.64)	.24" (6.10)
3/16" (4.8)	Z-7170-3305	Curved Long Recessed	.48" (12.19)	2.23" (56.64)	.41" (10.41)
	Z-7150-3006	Standard Flat	.56" (14.22)	1.18" (29.97)	.33" (8.38)
	Z-7170-3006	Standard Recessed	.56" (14.22)	1.20" (30.48)	.47" (11.94)
	Z-7150-4006	Long Flat	.56" (14.22)	2.30" (58.42)	.33" (8.38)
	Z-7170-3206	Long Recessed	.56" (14.22)	2.30" (58.42)	.47" (11.94)
	Z-7150-5006	Curved Long Flat	.56" (14.22)	2.21" (56.13)	.33" (8.38)
	Z-7170-3306	Curved Long Recessed	.56" (14.22)	2.21" (56.13)	.47" (11.94)

FLAT END FORM



RECESSED END FORM



METRIC DIMENSIONS ARE IN PARENTHESIS

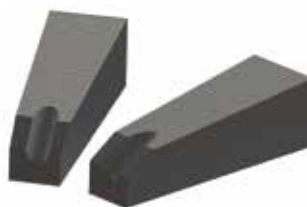
CONSUMABLE TOOLING - MISCELLANEOUS

REF. NO.	PART NUMBER	NOSE TYPE & FORM
1	ZRTM-IC	CURSOR
2	ZRTM-VJ	VICE JAWS
3	ZRTM-HO	HYDRAULIC OIL

CURSOR



VICE JAWS



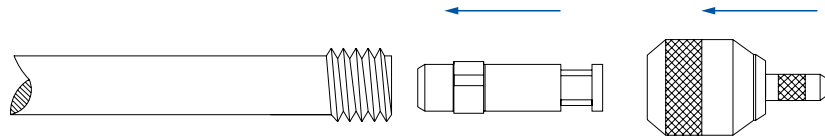
HYDRAULIC OIL



RIVETKING® SET-UP & ASSEMBLY PROCESS

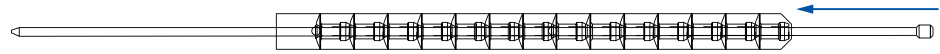
STEP 1:

Install the indexing cursor into the barrel portion of the rivet tool making sure it is facing the proper direction. Then screw on the Nose Jaw assembly on to the barrel.



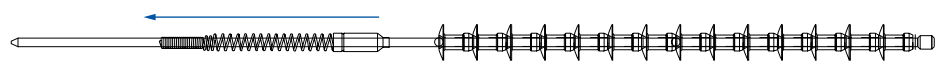
STEP 2:

Insert the mandrel into the hole of the podded rivets. Then tear off and dispose of the podding paper.



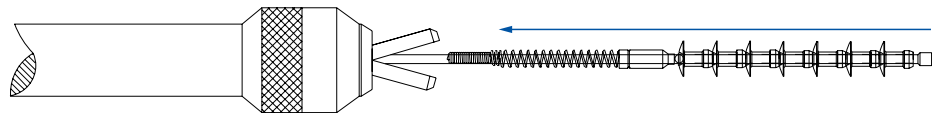
STEP 3:

Insert the mandrel spring onto the mandrel in the proper direction.



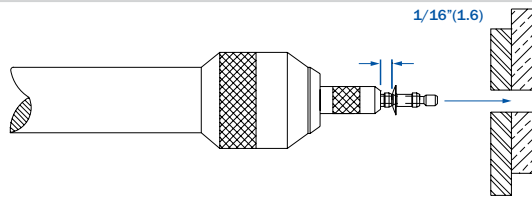
STEP 4:

Split the nose jaw open and insert the mandrel assembly (mandrel, spring and rivets), inside the nose jaw until the last rivet remains outside of the nose jaw.



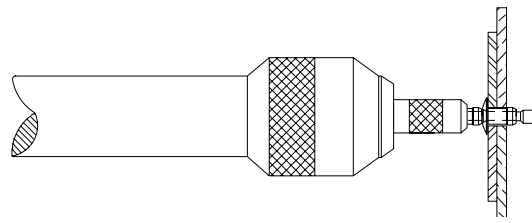
STEP 5:

Make sure the head of the rivet is about 1/16" away from the front of the nose jaw. Proper spacing must be assured.



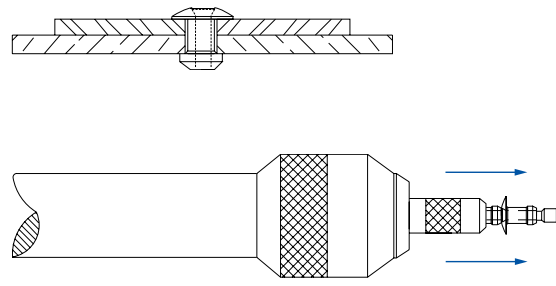
STEP 6:

Using the handle of the tool, insert the rivet and mandrel through the hole of your work piece until the head is sitting flush on the bearing surface. Pull the trigger to actuate the tools cycle and clinch the rivet.



STEP 7:

After proper assembly, the next rivet will automatically feed through the nose jaw to advance the next rivet.



RIVETKING®	POP®	MARSON®	CELUS®	AVDEL®	GESIPA®	CHERRY®
ABA32	AD32ABS	AB3 - 2A	A/A32D		GAMD32A	AAP32
ABS32	AD32BS	AB3 - 2	A/S32D		GSMD32A	BSP - 32
ABA34	AD34ABS	AB3 - 4A	A/A34D		GAMD34A	AAP34
ABS34	AD34BS	AB3 - 4	A/S34D		GSMD34A	BSP - 34
ABA36	AD36ABS					
ABA410	AD410ABS					
ABS410	AD410BS	AB4 - 10	A/S410D		GSMD410A	BSP - 410
ABS41 - 43MGRT	AD41 - 43BS			1691 - 0410		
ABS41 - 43LFMGRT	AD41 - 43BSLF			1692 - 0410		
ABA41	AD41ABS	AB4 - 1A	A/A41D		GAMD41A	AAP41
ABS41	AD41BS	AB4 - 1	A/S41D		GSMD41A	BSP - 41
ABS41CE	AD41H	AB4 - 1CLD			GSMD41AC	
ABA42	AD42ABS	AB4 - 2A	A/A42D		GAMD42A	AAP42
ABA42L	AD42ABSLF	ABL4 - 2A	A/A42LF		GAML42A	AAL42
ABA42CE	AD42AH		A42AD - CE			
ABS42	AD42BS	AB4 - 2	A/S42D		GSMD42A	BSP - 42
ABS42L	AD42BSLF	ABL4 - 2	A/S42LF		GSML42A	BSL - 42
ABS42CE	AD42H	AB4 - 2CLD	A42D - CE	SROI - 3265	GSMD42AC	
ABS43 - 45MGRT	AD43 - 45BS			1691 - 0414		
ABS43 - 45LFMGRT	AD43 - 45BSLF			1692 - 0414		
ABA43	AD43ABS	AB4 - 3A	A/A43D		GAMD43A	AAP43
ABA43CE	AD43AH		A43AD - CE			
ABS43	AD43BS	AB4 - 3	A/S43D		GSMD43A	BSP - 43
ABS43LF	AD43BSLF					
ABS43CE	AD43H	AB4 - 3CLD	A43D - CE	SROI - 3280	GSMD43AC	
ABA44	AD44ABS	AB4 - 4A	A/A44D		GAMD44A	AAP44
ABA44L	AD44ABSLF	ABL4 - 4A	A/A44LF			AAL44
ABA44CE	AD44AH		A44AD - CE			
ABS44	AD44BS	AB4 - 4	A/S44D		GSMD44A	BSP - 44
ABS44L	AD44BSLF	ABL4 - 4	A/S44LF		GSML44A	BSL - 44
ABS44CE	AD44H	AB4 - 4CLD	A44D - CE	SROI - 3295	GSMD44AC	
ABS45 - 47MGRT	AD45 - 47BS			1691 - 0416		
ABA45	AD45ABS	AB4 - 5A	A/A45D		GAMD45A	AAP45
ABS45	AD45BS	AB4 - 5	A/S45D		GSMD45A	BSP - 45
ABS45CE	AD45H	AB4 - 5CLD	A45D - CE	SROI - 3211	GSMD45AC	
ABA46	AD46ABS	AB4 - 6A	A/A46D		GAMD46A	AAP46
ABS46	AD46BS	AB4 - 6	A/S46D		GSMD46A	BSP - 46
ABS46CE	AD46H		A46D - CE	SROI - 3212		
ABA48	AD48ABS	AB4 - 8A	A/A48D		GAMD48A	AAP48
ABS48	AD48BS	AB4 - 8	A/S48D		GSMD48A	BSP - 48
ABS48CE	AD48H					
ABS52 - 54MGRT	AD52 - 54BS			1691 - 0512		
ABS52 - 54LFMGRT	AD52 - 54BSLF					
ABA52	AD52ABS	AB5 - 2A	A/A52D		GAMD52A	AAP52
ABS52	AD52BS	AB5 - 2	A/S52D		GSMD52A	BSP - 52
ABS52CE	AD52H	AB5 - 2CLD		SROI - 4080	GSMD52AC	
ABS53 - 55MGRT	AD53 - 55BS			1691 - 0514		
ABS53 - 55LFMGRT	AD53 - 55BSLF			1692 - 0514		
ABA53	AD53ABS	AB5 - 3A	A/A53D		GAMD53A	AAP53
ABS53	AD53BS	AB5 - 3	A/S53D		GSMD53A	BSP - 53
ABS53CE	AD53H	AB5 - 3CLD		SROI - 4095	GSMD53AC	
ABA54	AD54ABS	AB5 - 4A	A/A54D		GAMD54A	AAP54
ABA54L	AD54ABSLF		A/A54LF			AAL54
ABA54CE	AD54AH		A54AD - CE			
ABS54	AD54BS	AB5 - 4	A/S54A		GSMD54A	BSP - 54
ABS54LF	AD54BSLF					
ABS54CE	AD55H	AB5 - 5CLD	A54D - CE	SROI - 4011	GSMD54AC	
ABA56	AD56ABS	AB5 - 6A	A/A56D	SROI - 4012	GSMD55AC	
ABA56LF	AD56ABSLF				GAMD56A	AAP56
ABS56	AD56BS	AB5 - 6	A/S56D		GSMD56A	BSP - 56
ABA58	AD58ABS	AB5 - 8A	A/A58D		GAMD58A	AAP58
ABA56L	AD58ABSLF		A/A56LF			AAL56
ABS58	AD58BS	AB5 - 8	A/S58D		GSMD58A	BSP - 58
ABA610	AD610ABS	AB6 - 10A	A/A610D		GAMD610A	AAP610
ABA610L	AD610ABSLF	AB6 - 10A	A/A610LF		GAML610A	AAL610
ABS610	AD610BS	AB6 - 10	A/S610D		GSMD610A	BSP610
ABS610L	AD610BSLF	ABL6 - 10	A/S610LF		GSML610A	BSL610
ABA612	AD612ABS	AB6 - 12A			GAMD612A	AAP612
ABA612L	AD612ABSLF	AB6 - 12A	A/A612LF		GAML612A	AAL612
ABS612	AD612BS	AB6 - 12	A/S612D		GSMD612A	BSP612
ABS612L	AD612BSLF	ABL6 - 12	A/S612LF		GSML612A	BSL612
ABS614	AD614BS					
ABS62 - 64MGRT	AD61 - 64SSBS			1663 - 0613		
ABA616	AD616ABS					
ABS616	AD616BS					
ABS616LF	AD616BSLF					
TABS6203	AD6187FBBS				GSMD63ADP	BSPT - 6 - 156
ABS62 - 64MGRT	AD62 - 64BS			1691 - 0613		BSPT - 6 - 187
ABS62 - 64LFMGRT	AD62 - 64BSLF			1692 - 0613		
ABF62 - 64LFMGRT	AD62 - 64SSBSLF			1643 - 0613		
ABA64/STR	AD6270UG			2774 - 0613	RV6900 - 6 - 4	BAPV - 64
ABA64LF/STR	AD6270UGLF					
ABA62	AD62ABS	AB6 - 2A	A/A62D		GAMD62A	AAP62
ABA62CE	AD62AH		A62AD - CE			
ABS62	AD62BS	AB6 - 2	A/S62D		GSMD62A	BSP62

AVEY®, MONOBOLT®, BULBEK®, TL®, CHERMATE®, MONOBOLT®, INTERLOCK®, HEMLOCK®, HEMLOCK®, STAVEY®, AVINOX®, AND AVIBULB® ARE REGISTERED TRADEMARKS OF TETRON FASTENING SYSTEMS AND ACCUMUL GLOBAL TECHNOLOGIES INC. LSH® AND ULTRA-CHIP® IS A REGISTERED TRADEMARK OF ENHART FASTENING TECHNOLOGIES. TRILUB®, MAGNA-TITE®, AUTO-BULB® AND KLIK-LOCK® ARE REGISTERED TRADEMARKS OF ALCOA FASTENING SYSTEMS. CELUSSPLIT® AND TIGERBOLT® ARE REGISTERED TRADEMARKS OF CELUS FASTENERS.

RIVETKING®	POP®	MARSON®	CELUS®	AVDEL®	GESIPA®	CHERRY®
ABS62CE	AD62H	AB6 - 2CLD	A62D - CE	SR01 - 4880	GSMD62AC	
ABS63 - 67MGRT	AD63 - 66BS			1691 - 0619		
ABA67S/STR	AD6437UG			2774 - 0617	RV6900 - 6 - 7	BAPV - 67
ABA67SLF/STR	AD6437UGLFX					
ABA67LF/STR	AD6437UGLFX					
ABA67/STR	AD6437UGX					
ABS63 - 67MGRT	AD64 - 68SSBSLF			1643 - 0621		
ABA64	AD64ABS	AB6 - 4A	A/A64D		GAMD64A	AAP64
ABA64L	AD64ABSLSF		A/A64LF		GAML64A	AAL64
ABA64CE	AD64AH		A64AD - CE			
ABS64	AD64BS	AB6 - 4	A/S64D		GSMD64A	BSP64
ABS64LF	AD64BSLSF	ABL6 - 4	A/S64LF		GSML64A	BSL64
ABS64CE	AD64H	AB6 - 4CLD	A64D - CE	SR01 - 4895	GSMD63AC	
ABF66CE	AD64SSH			SR01 - 4811	GSMD64AC	
						BSPT - 6 - 468
TABS6500	AD6519TFBS				GSMD68ADP	BSPT - 6 - 500
ABS66 - 69MGRT	AD66 - 68BS			1691 - 0621		
ABS66 - 69LFMGRT	AD66 - 68BSLSF			1692 - 0621		
ABA66	AD66ABS	AB6 - 6A	A/A66D		GAMD66A	AAP66
ABA66L	AD66ABSLSF	AB6 - 6A	A/A66LF		GAML66A	AAL66
ABA66CE	AD66AH		A66AD - CE			
ABS66	AD66BS	AB6 - 6	A/S66D		GSMD66A	BSP66
ABS66L	AD66BSLSF	ABL6 - 6	A/S66LF		GSML66A	BSL66
					GSMD65AC	
ABS6CE	AD66H	AB6 - 6CLD	A66D - CE	SR01 - 4812	GSMD66AC	
ABF66CE	AD66SSH					
ABS610 - 612MGRT*	AD68 - 612BS			1691 - 0631		
ABF610 - 612MFGRT*	AD68 - 612SSBSLF			1643 - 0631		
ABA68	AD68ABS	AB6 - 8A	A/A68D		GAMD68A	AAP68
ABA68L	AD68ABSLSF	AB6 - 8A	A/A68LF		GAML68A	AAL68
ABA68CE	AD68AH		A68AD - CE			
ABS68	AD68BS	AB6 - 8	A/S68D		GSMD68A	BSP68
ABS68L	AD68BSLSF	ABL6 - 8	A/S68LF		GSML68A	BSL68
				SR01 - 4814		
ABS68CE	AD68H	AB6 - 8CLD	A68D - CE	SR01 - 4816	GSMD68AC	
ABS810	AD810BS		A/S810D		GSMD810A	BSP810
ABA812	AD812ABS	AB8 - 12A	A/A812D		GAMD812A	AAP812
ABS812	AD812BS	AB8 - 12	A/S812D		GSMD812A	BSP812
ABS816	AD816BS					
ABA86/STR	AD8375UG			2774 - 0817	RV6900 - 8 - 6	BAPV - 86
ABA86LF/STR	AD8375UGLFX					
ABA84	AD84ABS	AB8 - 4A	A/A84D		GAMD84A	AAP84
ABS84	AD84BS	AB8 - 4	A/S84D		GSMD84A	BSP84
ABS84CE	AD84H	AB8 - 4CLD				
ABA810S/STR	AD8625UG				RV6900 - 8 - 10	BAPV - 810
ABA810SLF/STR	AD8625UGLFX					
ABA810LF/STR	AD8625UGLFX					
ABA810/STR	AD8625UGX			2774 - 0824	RV6900 - 8 - 10XC	
ABA86	AD86ABS	AB8 - 6A	A/A86D		GAMD86A	AAP86
ABS86	AD86BS	AB8 - 6	A/S86D		GSMD86A	BSP86
ABS86CE	AD86H	AB8 - 6CLD				
ABS88	AD88BS	AB8 - 8	A/S88D		GSMD88A	BSP88
No Equal	ADS46ABS					
				BF01 - 0516		
ABL - 0516	ADS54ABSL			BF01 - 0523		
ABL - 0523	ADS58ABSL			BF01 - 0523		
				BF01 - 0619		
				BF01 - 0625		
ABL - 0619*	ADS64ABSL			BF01 - 0630		BAPK - 64
				BF01 - 0619		
ABL - 0625*				BF01 - 0625		
ABL - 0630*	ADS66ABS			BF01 - 0630		BAPK - 66
ABS66	ADS66BS					
ACS41 - 44MG/RT	AK41 - 44BS			1682 - 0412		
ACS41CE	AK41H					
ACA42	AK42ABS	AC4 - 2A	A/A42C		GAMC42A	AAC42
ACS42	AK42BS	AC4 - 2	A/S42C		GSMC42A	BSC - 42
ACS42CE	AK42H					
ACS43	AK43BS	AC4 - 3	A/S43C		GSMC43A	BSC - 43
ACS43CE	AK43H					
ACS44	AK44BS	AC4 - 4	A/S44C		GSMC44A	BSC - 44
ACS44CE	AK44H					
ACS45	AK45BS					BSC - 45
ACS45CE	AK45H					
ACS53CE	AK53H					
ACS54	AK54BS					
ACS56	AK56BS					
ACA66/STR	AK6331UG					
ACF64 - 66MG	AK64 - 66SSBS					
ACS64	AK64BS					
ACS64CE	AK64H					
ACS69/STR	AK6500UG					
ACS66CE	AK66H					
ACA88/STR	AK8475UG					
ACA812/STR	AK8725UG					

AVEX®, MONOBOLT®, BULLBEK®, TL® CHERRYMADE, MONOBOLT®, INTERLOCK®, HEMLOCK®, STAVEY®, AVING®, AND AVIRBULB® ARE REGISTERED TRADEMARKS OF TEXTRON FASTENING SYSTEMS AND OCCUPANT GLOBAL TECHNOLOGIES INC. LSH® AND ULTRA-CLIP® IS REGISTERED TRADEMARK OF ENHART FASTENING TECHNOLOGIES. TR-F-BULB®, MAGNA-TITE®, AUTO-BULB® AND NUT-LOC® ARE REGISTERED TRADEMARKS OF ALCOA FASTENING SYSTEMS. CELUSSPLIT® AND TIGENBOLT® ARE REGISTERED TRADEMARKS OF CELUS FASTENERS.



RIVETKING®	POP®	MARSON®	CELUS®	AVDEL®	GESIPA®	CHERRY®
CBS42	CD42BS	CB4 - 2	C/S42D		GSMD42C	USP42
CBS43CE	CD43H					
CBS44	CD44BS	CB4 - 4	C/S44D		GSMD44C	USP44
SBS32	SD32BS	SB3 - 2	S/S32D		GSMD32S	SSP32
SBS34	SD34BS	SB3 - 4	S/S34D		GSMD34S	SSP34
SBS41	SD41BS	SB4 - 1	S/S41D		GSMD41S	SSP41
SBS42	SD42BS	SB4 - 2	S/S42D		GSMD42S	SSP42
SBS42LF	SD42BSLF	SBL4 - 2	S/S42LF		GSML42S	SSL42
SBS43	SD43BS	SB4 - 3	S/S43D		GSMD43S	SSP43
SBS44	SD44BS	SB4 - 4	S/S44D		GSMD44S	SSP44
SBS44LF	SD44BSLF	SBL4 - 4	S/S44LF		GSML44S	SSL44
SBS45	SD45BS	SB4 - 5	S/S45D		GSMD45S	SSP45
SBS46	SD46BS	SB4 - 6	S/S46D		GSMD46S	SSP46
SBS48	SD48BS	SB4 - 8	S/S48D		GSMD48S	SSP48
SBS52	SD52BS	SB5 - 2	S/S52D		GSMD52S	SSP52
SBS53	SD53BS	SB5 - 3	S/S53D		GSMD53S	SSP53
SBS54	SD54BS	SB5 - 4	S/S54D		GSMD54S	SSP54
SBS54LF	SD54BSLF					
SBS56	SD56BS	SB5 - 6	S/S56D		GSMD56S	SSP56
SBS610	SD610BS	SB6 - 10	S/S610D		GSMD610	SSP610
SBS610LF	SD610BSLF	SBL6 - 10	S/S610LF		GSML610S	SSL610
SBS612	SD612BS	SB6 - 12	S/S612D		GSMD612	SSP612
SBS612LF	SD612BSLF	SBL6 - 12	S/S612LF		GSML612S	SSL612
SBS616	SD616BS					
SBS64/STR	SD6270UG			2771 - 0613	RV6977 - 6 - 4	SSPV - 64
SBS64LF/STR	SD6270UGLF					
SBS62	SD62BS	SB6 - 2	S/S62D		GSMD62S	SSP62
SBS67S/STR	SD6437UG			2771 - 0617	RV6977 - 6 - 7	SSPV - 67
SBS67SLF/STR	SD6437UGLF					
SBS67LF/STR	SD6437UGLFX					
SBS67/STR	SD6437UGX					
SBS64	SD64BS	SB6 - 4	S/S64D		GSMD64S	SSP64
SBS64L	SD64BSLF		S/S64LF		GSML64S	SSL64
SBS66	SD66BS	SB6 - 6	S/S66D		GSMD66S	SSP66
SBS66L	SD66BSLF	SBL6 - 6	S/S66LF		GSML66S	SSL66
SBS68	SD68BS	SB6 - 8	S/S68D		GSMD68S	SSP68
SBS68L	SD68BSLF	SBL6 - 8	S/S68LF		GSML68S	SSL68
SBS810	SD810BS	SB8 - 10	S/S810D		GSMD810S	SSP810
SBS812	SD812BS	SB8 - 12	S/S812D		GSMD812S	SSP812
SBS816	SD816BS					
SBS86/STR	SD8375UG			2771 - 0817	RV6977 - 8 - 6	SSPV - 86
SBS86LF/STR	SD8375UGLF					
SBS84	SD84BS	SB8 - 4	S/S84D		GSMD84S	SSP84
SBS810S/STR	SD8625UG				RV6977 - 8 - 10	SSPV - 810
SBS810SLF/STR	SD8625UGLF					
SBS810/STR	SD8625UGLFX					
SBS810LF/STR	SD8625UGX			2771 - 0824	RV6977 - 8 - 10XG	
SBS86	SD86BS	SB8 - 6	S/S86D		GSMD86S	SSP86
SBS88	SD88BS	SB8 - 8	S/S88D		GSMD88S	SSP88
SCS42	SK42BS	SC4 - 2	S/S42C		GSMD42S	SSC42
SCS44	SK44BS	SC4 - 4	S/S44C		GSMD44S	SSC44
SCS66/STR	SK6331UG					
SCS69/STR	SK6500UG					
SCS88/STR	SK8475UG					
SCS812/STR	SK8725UG					
FBS42	SSD41BS	SSB4 - 1	SS/S41D			CSP41
FBS43	SSD42BS	SSB4 - 2	SS/S42D		GSMD42SS	CSP42
FBS42LF	SSD42BSLF		SS/S42LF			CSL42
FBF42	SSD42SSBS	SSB4 - 2S	SS/SS42D		GSSMD42SS	CCP42
FBF42LF	SSD42SSBSLF					CCL42
FBS44	SSD43BS	SSB4 - 3	SS/S43D		GSMD43SS	CSP43
FBS43LF	SSD43BSLF					
FBF43	SSD43SSBS	SSB4 - 3S	SS/SS43D		GSSMD43SS	CCP43
FBF43LF	SSD43SSBSLF					
FBF43CE	SSD43SSH					
FBS46	SSD44BS	SSB4 - 4	SS/S44D		GSMD44SS	CSP44
FBS44LF	SSD44BSLF					CSL44
FBF44	SSD44SSBS	SSB4 - 4S	SS/SS44D		GSSMD44SS	CCP44
FBF44LF	SSD44SSBSLF					CCL44
FBS48	SSD46BS	SSB4 - 6	SS/S46D		GSMD46SS	CSP46
FBF46	SSD46SSBS	SSB4 - 6S	SS/SS46D		GSSMD46SS	CCP46
FBS48	SSD48BS	SSB4 - 8	SS/S48D		GSMD48SS	CSP48
FBF48	SSD48SSBS	SSB4 - 8S	SS/SS48D		GSSMD48SS	CCP48
FBS52	SSD52BS	SSB5 - 2	SS/S52D		GSMD52SS	CSP52
FBF52	SSD52SSBS	SSB5 - 2S	SS/SS52D		GSSMD52SS	CCP52
FBF53CE	SSD53SSH					
FBS54	SSD54BS	SSB5 - 4	SS/S54D		GSMD54SS	CSP54
FBF54	SSD54SSBS					CCP54
FBS56	SSD56BS	SSB5 - 6	SS/S56D		GSMD56SS	CSP56
FBF56	SSD56SSBS	SSB5 - 6S	SS/SS56D		GSSMD56SS	CCP56
FBF64/STR	SSD6270UG					
FBS62	SSD62BS	SSB6 - 2	SS/S62D		GSMD62SS	CSP62
FBF62	SSD62SSBS	SSB6 - 2S	SS/SS62D		GSSMD62SS	CCP62
FBF62CE	SSD62SSH					
FBS64	SSD64BS	SSB6 - 4	SS/S64D		GSMD64SS	CSP64
FBF64	SSD64SSBS		SS/SS64D			CCP64
FBF64CE	SSD64SSH		SS64SSDCE			
FBS66	SSD66BS	SSB6 - 6	SS/S66D		GSMD66SS	CSP66
FBF66	SSD66SSBS		SS/SS66D			CCP66
FBS68	SSD68BS	SSB6 - 8	SS/S68D		GSMD68SS	CSP68
FBF68	SSD68SSBS		SS/SS68D			CCP68
FBF86/STR	SSD8375UG					
FCF66/STR	SSK6331UG					
FCF88/STR	SSK8475UG					

AVEX®, MONOBOLT®, BULBEX®, TLR®, CHERRYMATE®, MONOBOLT®, INTERLOCK®, HEMLOCK®, STAVE®, AMINOX®, AND AVIBUL® ARE REGISTERED TRADEMARKS OF TETRON FASTENING SYSTEMS AND ACCUMENT GLOBAL TECHNOLOGIES, INC. LSH® AND ULTRA-GRIP® IS A REGISTERED TRADEMARK OF EMHART FASTENING TECHNOLOGIES. TRI-BULB®, MAGNA-TITE®, AUTO-BULB® AND KLIK-LOCK® ARE REGISTERED TRADEMARKS OF ALCOA FASTENING SYSTEMS. CELUSSPLIT® AND TIGERBOLT® ARE REGISTERED TRADEMARKS OF CELUS FASTENERS.

PHONE: 800.289.7483 FAX: 201.750.1050
200 PARIS AVENUE, NORTHVALE, NEW JERSEY 07647 USA



WWW.RIVETKING.COM