

TJO 7

Outdoor voltage transformer



The TJO 7 is a robust voltage transformer that uses ResiVolt™ transient resistant technology for line-to-ground applications, with an enhanced design for operation in renewable and frequent line switching installations. The TJO 7 is equivalent to type VOG-20BR.

—
01
TJO 7 in upright position

Product features:

- 34.5 kV, outdoor
- 200 kV BIL, 60 Hertz
- Creep: 44.1" (1120 mm)
- Strike distance: 27.8" (106 mm)
- Approximate weight: 115-121 lbs (52-55 kg)

Industry leading performance

- Superior withstand capability against steep wave power network transients for improved reliability and increased safety in renewable metering and recloser applications, as well as areas where increased line switching is present
- Enhanced creep distance and intelligent shed design minimize flashover potential and provide superior heat dissipation
- Encapsulated in field-proven HCEP material (hydrophobic cycloaliphatic epoxy) to deliver unparalleled performance in outdoor applications, including heavily polluted and coastal environments

Application

- Designed with ResiVolt technology to withstand challenging environments where very fast transient over-voltages (VFTO) are present, such as those caused by inverters and line switching devices
- Optimal solution for line-to-ground metering applications; offers superior performance and compact design

Terminals

The primary H1 bushing features an M12 metric stud type terminal. The H2 terminal is internally grounded to the baseplate. The secondary terminals are M6 metric clamp type and are located in a secondary junction box. The TJO 7 is available with two variants of junction box - aluminum box with metric PG21 conduit hubs as shown or non-metallic junction box with a sealed plastic cover, the same as the VOG-20BR. Terminal markings are per IEEE C57.13 (H1, X1).

Mounting

- Unit can be mounted in the following positions:
 - upright
 - cantilever
 - upside down
- Stress relief devices should be used to support cable connections where applicable
- Aluminum baseplate with the same mounting dimensions as VOG-20B and VOG-20BR

Standards

- The transformers are designed and manufactured to conform with the requirements and recommendations of the following standards: IEEE C57.13-2016, IEC, EN, VDE, ANSI, BS, GOST, ČSN and PN-EN.
- Meets and exceeds IEC 61869-3, clause 7.2.3 and CAN/CSA 411.1, clause 6.6 requirements for basic impulse and fast impulse transient withstand.

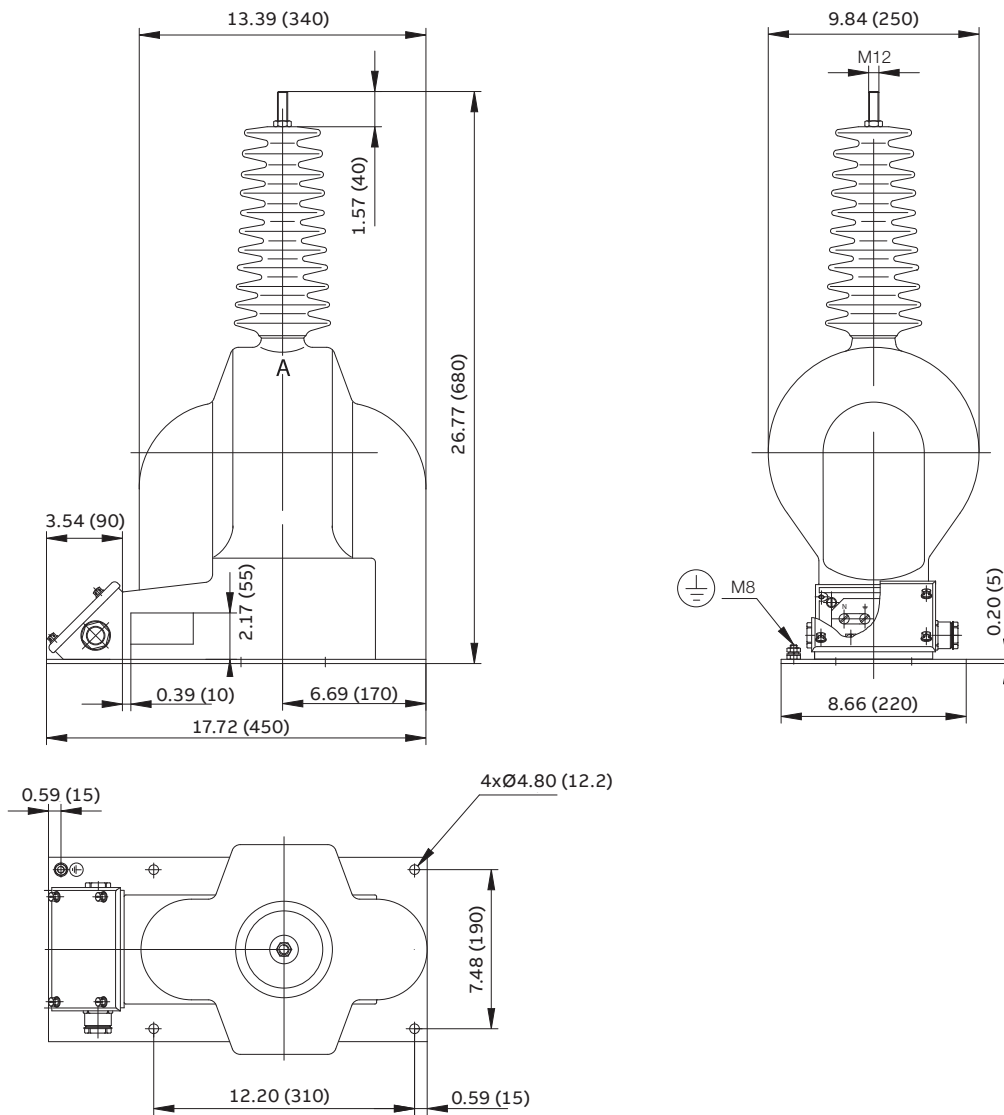
TJO 7 selection guide

Primary voltage	Secondary voltage	Winding ratio	Metering accuracy	Thermal rating at 30° C	Rated voltage factor (RVF)	Style number
20125/34500GY	115	175:1	0.3Y	1500	1.9	E-923A602G01-CZ
19920/34500GY	120	166:1	0.3Y	1500	1.9	E-923A602G02-CZ
20125/34500GY	115/67.08	175/300:1	0.3Y/0.3Y	1500	1.9	E-923A611G02-CZ
20125/34500GY	115/67 & 115/67	175/300 & 175/300:1	0.3Y	1500	1.9	E-923A663G01-CZ
20125/34500GY	115 & 67.08	175 & 300:1	0.3Y	1500	1.9	E-923A687G01-CZ
20125/34500GY	115 & 115	175 & 175:1	0.3Y	1500	1.9	E-923A687G02-CZ

Dimension drawings

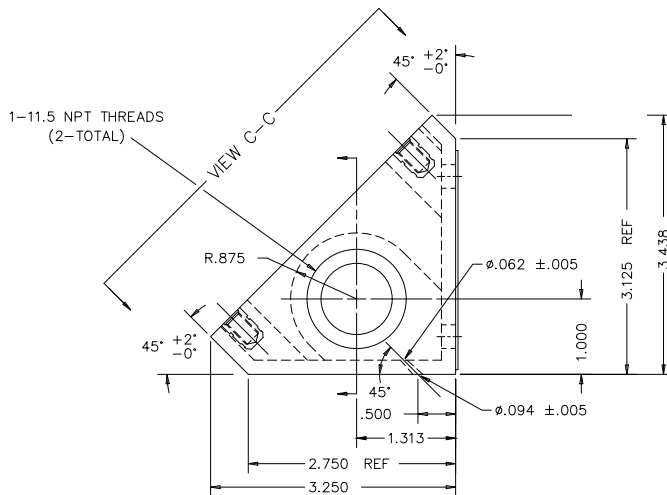
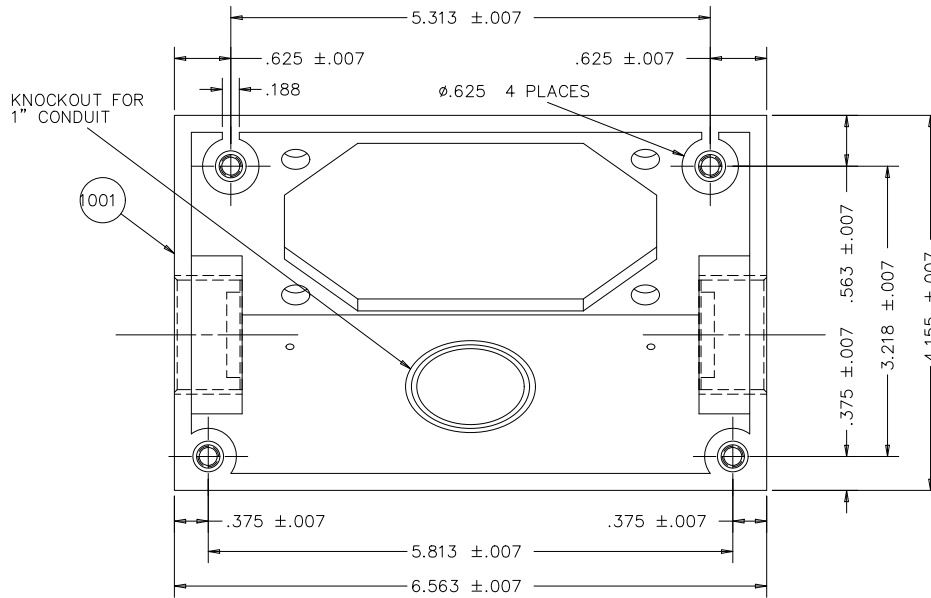
Inches (mm)

weight: 115-121 lbs (52-55 kg)
creepage distance: 44.1" (1120 mm)



Dimension drawings of NAM junction box

Inches



NOTE
 Additional styles available upon request.
 Contact your ABB sales representative or call
 +1-252-827-3212 for more product information
 or comparison with VOG-20B and VOG-
 20BR.

CONTACT US
 ABB s.r.o.
 ELDS Brno
 Videnska 117, 619 00 Brno,
 Czech Republic
 Tel.: +420 547 152 021
 +420 547 152 854
 Fax: +420 547 152 626
 E-mail: kontakt@cz.abb.com

NOTE
 We reserve the right to make technical
 changes or modify the contents of this docu-
 ment without prior notice. With regard to
 purchase orders, the agreed particulars shall
 prevail. ABB does not accept any responsibil-
 ity whatsoever for potential errors or possi-
 ble lack of information in this document.

We reserve all rights in this document and in
 the subject matter and illustrations con-
 tained therein. Any reproduction, disclosure
 to third parties or utilization of its contents -
 in whole or in parts - is forbidden without
 prior written consent of ABB.

Copyright© 2021 ABB
 All rights reserved