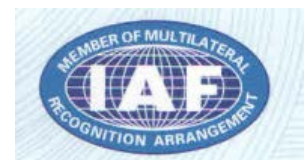


深圳市维拓精电科技有限公司
WTL International Limited

APPROVAL SHEET

DESCRIPTION :	2.0*1.6mm 4 Pads SMD crystal			
NOMINAL FREQ.:	32.000MHz			
WTL P/N:	WTL1M25424CH			
REVISION:	0			
DATE:	2018.04.18			
Customer	Customer P/N			
IBS Electronics Inc	/			
Customer Signature	WTL			
	Approved by: <i>Xo Xo Lee</i>			
	Checked by: <i>Susan He</i>			
	Issued by: <i>Shengbiao</i>			
REVISION HISTORY				
Revised Page	Revision Content	Date	Ref. No.	Reviser



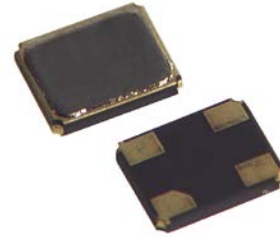
P/N: WTL1M25424CH

SEAM SEALED CERAMIC 2.0 X 1.6mm SMD



FEATURE

- High precision and high frequency stability
- Excellent heat resistance and environmental characteristics.



ELECTRICAL SPECIFICATIONS

Output Frequency Range	32.000 MHz
Mode	Fundamental
Frequency Tolerance (at 25 °C)	±10ppm
Frequency Stability Over Operating Temperature Characteristics	±20ppm
Operating Temperature Range	-40 °C to +85 °C
Storage Temperature Range	-55 °C to + 125 °C
Shunt Capacitance (C ₀)	3.0 pF Max
Drive Level (Typical)	10µW ~ 100µW
Load Capacitance(C _L)	10pF
Aging @25 °C 1 st year (Max)	±3ppm/year
Shock Resistance	Drop test of 3 times on 2mm stainless plate from 75cm height

REMARK: SPECIFICATIONS SUBJECT TO CHANGE WITHOUT PRIOR NOTICE. PLEASE CONFIRM WITH OUR SALES ENGINEER.

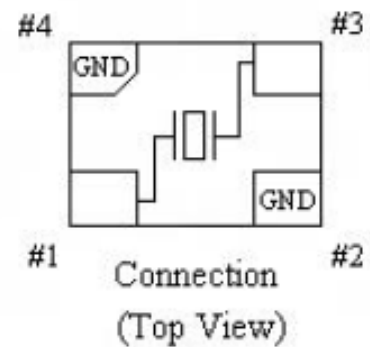
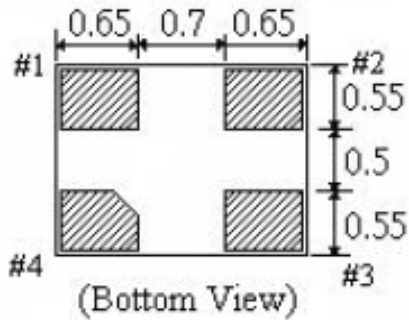
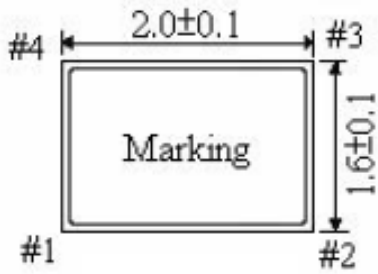
EQUIVALENT SERIES RESISTANCE (ESR) (Table 1)

Frequency	E.S.R(Ω)	Mode
32.000MHz	80 Ω Max	AT/Fundamental

P/N: WTL1M25424CH
SEAM SEALED CERAMIC 2.0 X 1.6mm SMD



Dimension:



Recommended Soldering Pattern

.REFLOW CONDITION:

