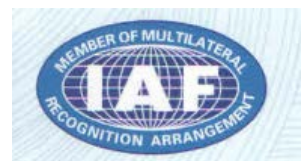


**深圳市维拓精电科技有限公司**  
**WTL International Limited**

**APPROVAL SHEET**

DESCRIPTION :	2.5*2.0mm 4 Pad SMD Quartz Crystal			
NOMINAL FREQ.:	40.000MHz			
WTL P/N:	WTL2M25423CH			
VERSION:	1			
DATE:	2018.04.18			
Customer		Customer P/N		
IBS Electronics Inc		/		
Customer Signature		WTL		
	Approved by:	<i>Xo Xo Lee</i>		
	Checked by:	<i>Susan He</i>		
	Issued by:	<i>Shengbiao</i>		
<b>REVISION HISTORY</b>				
Revised Page	Revision Content	Date	Ref. No.	Reviser

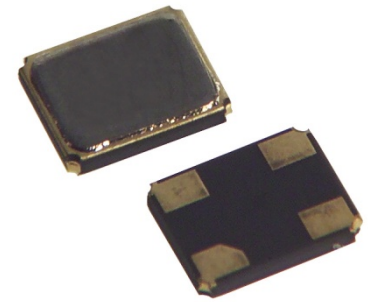


**P/N: WTL2M25423CH**  
**SEAM SEALED CERAMIC 2.5 X 2.0mm SMD**



**FEATURE**

- Ultra thin, thickness 1.0mm
- Leadless type
- High precision characteristic covering up to high frequency range
- Designed for automatic mounting and reflow soldering
- Embossed tape packaging
- The best choice of Bluetooth wireless communication sets. DSN, PDA and mobile phone.

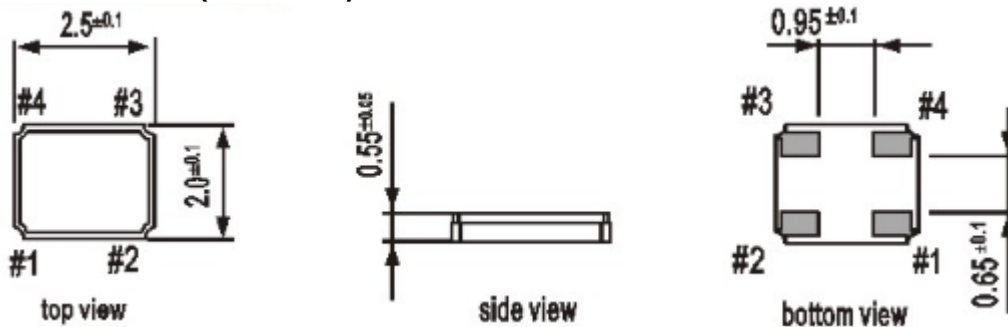


**ELECTRICAL SPECIFICATIONS**

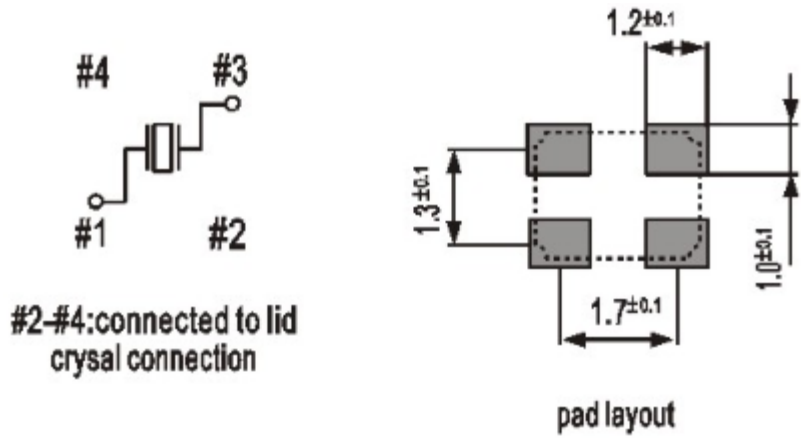
Output Frequency Range	40.000MHz
Mode	Fundamental/AT
Frequency Tolerance (at 25°C)	±30ppm
Frequency Stability Over Operating Temperature Characteristics	±30ppm
Operating Temperature Range	-40°C~+85°C
Storage Temperature Range	-55°C~+125°C
Shunt Capacitance (C <sub>0</sub> )	5.0pF Max
Driver Level (Typical)	100μW Max
Load Capacitance(C <sub>L</sub> )	8pF
Aging @25°C 1 <sup>st</sup> year	±3ppm Max
ESR	60Ω Max

REMARK: SPECIFICATIONS SUBJECT TO CHANGE WITHOUT PRIOR NOTICE. PLEASE CONFIRM WITH OUR SALES ENGINEER.

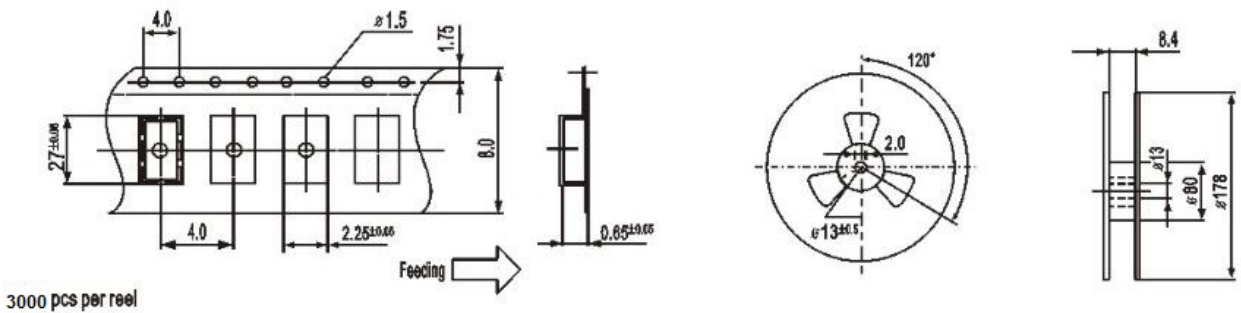
**DIMENSIONS (Unit: mm)**



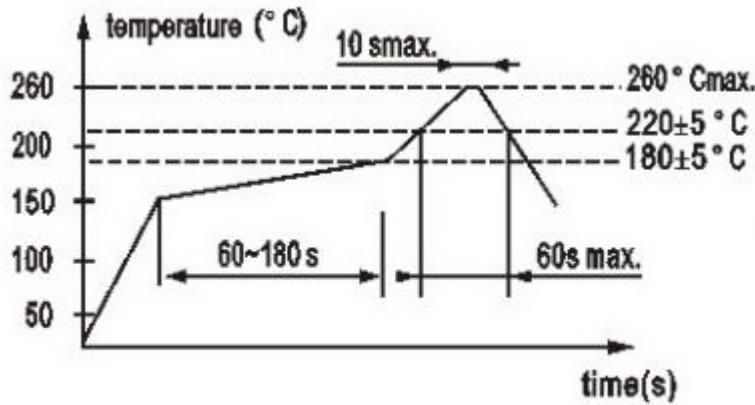
**P/N: WTL2M25423CH**  
**SEAM SEALED CERAMIC 2.5 X 2.0mm SMD**



**TAPE SPECIFICATION**



**REFLOW CONDITION**



note: parts are also suitable for soldering systems with lead(pb)content