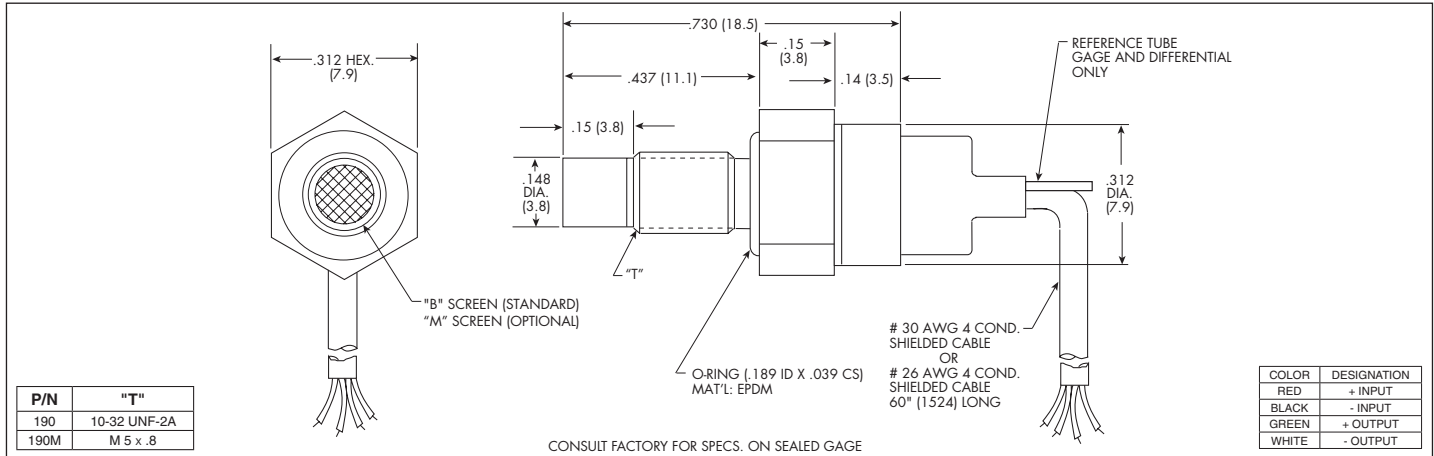
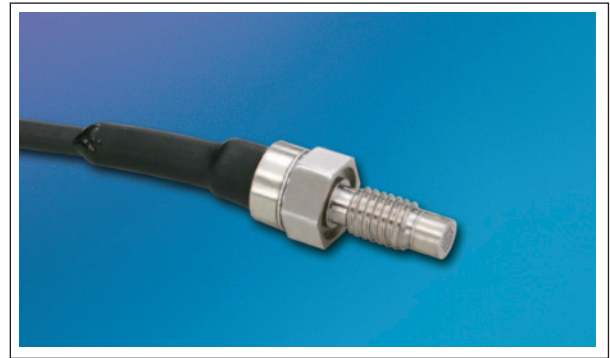




# RUGGEDIZED AUTOMOTIVE IS® PRESSURE TRANSDUCERS

## XTL-123A-190 (M) SERIES

- Easy Installation
- High Natural Frequency
- Patented Leadless Technology VIS®
- 10-32 UNF or M 5 x .8 Thread
- Wide Temperature Range
- Compatible With All Automotive Fluids



INPUT Pressure Range	1.0 15	1.7 25	3.5 50	7 100	17 250	35 500	70 1000	100 1500	210 BAR 3000 PSI
Operational Mode	Absolute, Sealed Gage, Gage, Differential					Absolute, Sealed Gage			
Over Pressure	2 Times Rated Pressure to a Maximum of 4500 PSI (315 BAR)								
Burst Pressure	3 Times Rated Pressure to a Maximum of 4500 PSI (315 BAR)								
Pressure Media	All Nonconductive, Noncorrosive Liquids or Gases (Most Conductive Liquids and Gases - Please Consult Factory)								
Rated Electrical Excitation	10 VDC								
Maximum Electrical Excitation	15 VDC								
Input Impedance	1000 Ohms (Min.), 5000 Ohms (Max.)								
<b>OUTPUT</b> Output Impedance	2000 Ohms (Max.)								
Full Scale Output (FSO)	100 mV ± 10 mV								
Residual Unbalance	± 5mV (Typ.)								
Combined Non-Linearity, Hysteresis and Repeatability	± 0.1% FSO BFSL (Typ.), ± 0.5% FSO (Max.)								
Resolution	Infinitesimal								
Natural Frequency (KHz) (Typ.)	Greater Than 175 KHz								
Acceleration Sensitivity % FS/g Perpendicular Transverse	6.5x10 <sup>-4</sup> 1.0x10 <sup>-4</sup>	5.0x10 <sup>-4</sup> 6.0x10 <sup>-5</sup>	3.0x10 <sup>-4</sup> 4.0x10 <sup>-5</sup>	1.5x10 <sup>-4</sup> 2.0x10 <sup>-5</sup>	1.0x10 <sup>-4</sup> 9.0x10 <sup>-6</sup>	6.0x10 <sup>-5</sup> 6.0x10 <sup>-6</sup>	4.5x10 <sup>-5</sup> 3.0x10 <sup>-6</sup>	3.5x10 <sup>-5</sup> 2.7x10 <sup>-6</sup>	2.0x10 <sup>-5</sup> 2.0x10 <sup>-6</sup>
Insulation Resistance	100 Megohm Min. @ 50 VDC								
<b>ENVIRONMENTAL</b> Operating Temperature Range	-65°F to +400°F (-55°C to +204°C)								
Compensated Temperature Range	-40°F to +350°F (-40°C to +175°C)								
Thermal Zero Shift	± 1% FS/100°F (Typ.)								
Thermal Sensitivity Shift	± 1% /100°F (Typ.)								
Linear Vibration	100g Peak, Sine Up to 5000 Hz								
Humidity	100% Relative Humidity								
Mechanical Shock	100g half Sine Wave 11 msec. Duration								
<b>PHYSICAL</b> Electrical Connection	4 Conductor 30 AWG Shielded Cable or 4 Conductor 26 AWG Shielded Cable 60" Long								
Weight	5 Grams (Nom.) Excluding Cable								
Pressure Sensing Principle	Fully Active Four Arm Wheatstone Bridge Dielectrically Isolated Silicon on Silicon Patented Leadless Technology								
Mounting Torque	15 Inch-Pounds								

Note: Custom pressure ranges, accuracies and mechanical configurations available. Dimensions are in inches. Dimensions in parenthesis are in millimeters. Continuous development and refinement of our products may result in specification changes without notice - all dimensions nominal. (E)