

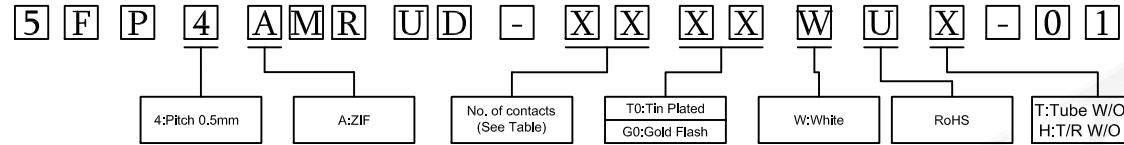
**SPECIFICATION**

Current Rate:0.5 AMP  
 Insulation Resistance:100M Ω Min.  
 Contact Resistance:30m Ω Max.  
 Dielectric Voltage:250V AC/Minute  
 Operation Temperature:-20° C to +85° C

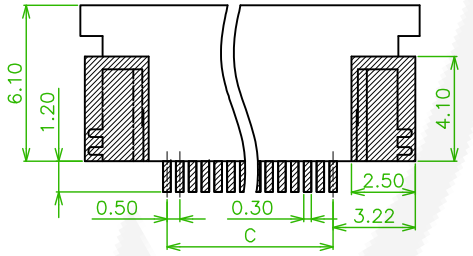
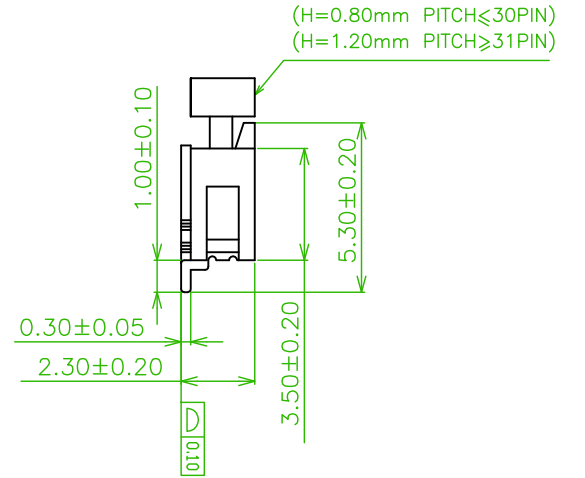
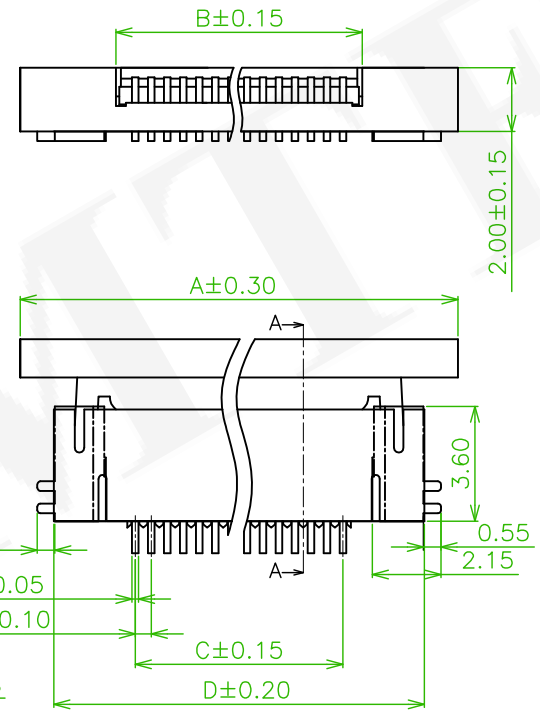
**MATERIAL**

Insulator:High Temperature Thermoplastic,UL 94V-0  
 Contact Pin:Copper Alloy

**ORDER INFORMATION**



PIN	Dimension				PIN	Dimension				PIN	Dimension			
	A	B	C	D		A	B	C	D		A	B	C	D
4	8.7	2.7	1.5	6.6	25	19.2	13.2	12.0	17.1	45	29.2	23.2	22.0	27.1
5	9.2	3.2	2.0	7.1	26	19.7	13.7	12.5	17.6	46	29.7	23.7	22.5	27.6
6	9.7	3.7	2.5	7.6	27	20.2	14.2	13.0	18.1	48	30.7	24.7	23.5	28.6
8	10.7	4.7	3.5	8.6	28	20.7	14.7	13.5	18.6	50	31.7	25.7	24.5	29.6
9	11.2	5.2	4.0	9.1	29	21.2	15.2	14.0	19.1	51	32.2	26.2	25.0	30.1
10	11.7	5.7	4.5	9.6	30	21.7	15.7	14.5	19.6	53	33.2	27.2	26.0	31.1
11	12.2	6.2	5.0	10.1	31	22.2	16.2	15.0	20.1	54	33.7	27.7	26.5	31.6
12	12.7	6.7	5.5	10.6	32	22.7	16.7	15.5	20.6	55	34.2	28.2	27.0	32.1
13	13.2	7.2	6.0	11.1	33	23.2	17.2	16.0	21.1	56	34.7	28.7	27.5	32.6
14	13.7	7.7	6.5	11.6	34	23.7	17.7	16.5	21.6	57	35.2	29.2	28.0	33.1
15	14.2	8.2	7.0	12.1	35	24.2	18.2	17.0	22.1	59	36.2	30.2	29.0	34.1
16	14.7	8.7	7.5	12.6	36	24.7	18.7	17.5	22.6	60	36.7	30.7	29.5	34.6
17	15.2	9.2	8.0	13.1	37	25.2	19.2	18.0	23.1	61	37.2	31.2	30.0	35.1
18	15.7	9.7	8.5	13.6	38	25.7	19.7	18.5	23.6					
19	16.2	10.2	9.0	14.1	39	26.2	20.2	19.0	24.1					
20	16.7	10.7	9.5	14.6	40	26.7	20.7	19.5	24.6					
21	17.2	11.2	10.0	15.1	41	27.2	21.2	20.0	25.1					
22	17.7	11.7	10.5	15.6	42	27.7	21.7	20.5	25.6					
23	18.2	12.2	11.0	16.1	43	28.2	22.2	21.0	26.1					
24	18.7	12.7	11.5	16.6	44	28.7	22.7	21.5	26.6					



Recommended PCB Board Hole Layout

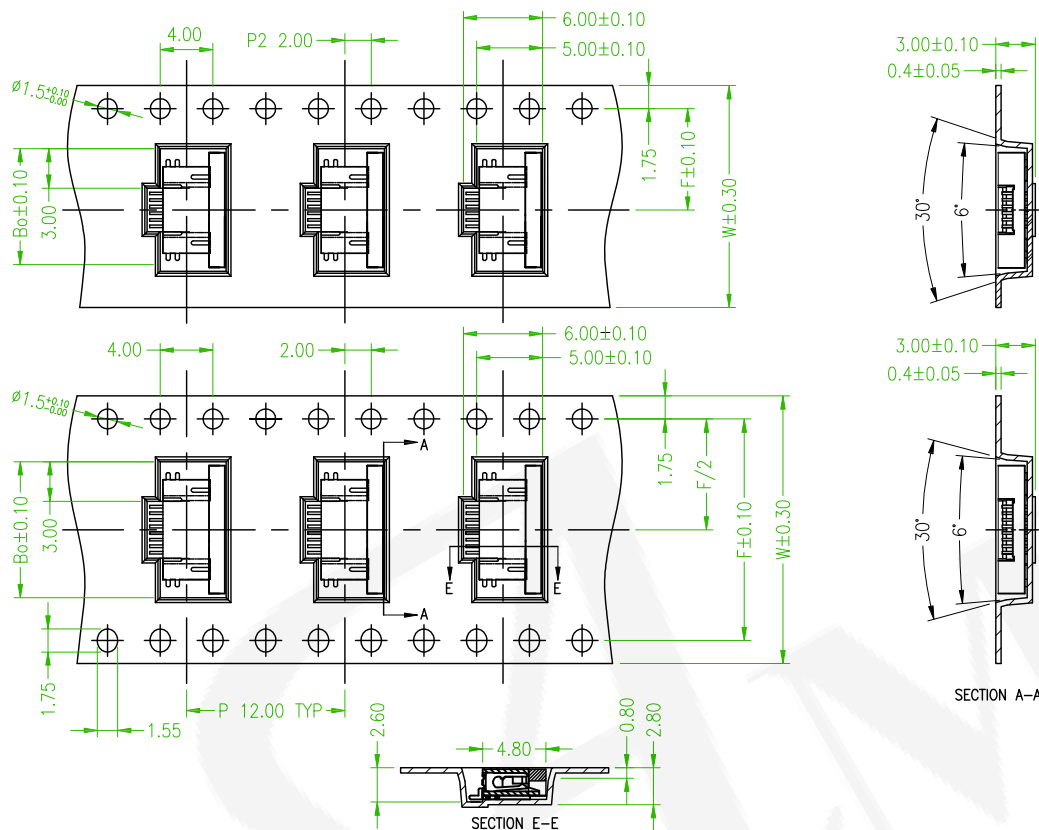
FPC/FFC T=0.30±0.03mm

Old Part No. : FPC4AMR6-XX-U-U

△	Add the Reel Package	Mia	2017/12/11
△	Revise the drawing	Roy	2016/05/30
REV.	ECN NO. OR DESCRIPTION	REVISED	DATE

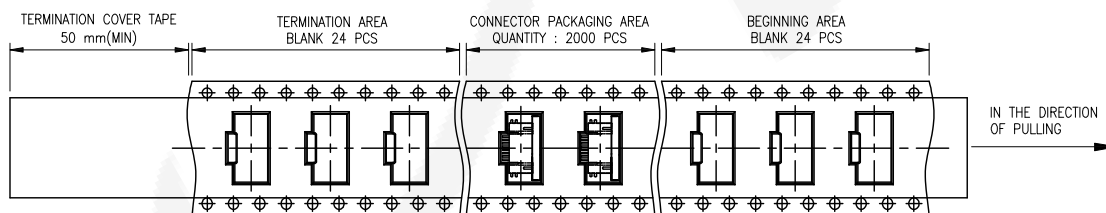
TEL: 886-2-2260-6878  
 FAX: 886-2-2260-8030

品名 TITLE	FPC/FFC 0.5mm Zif R/A SMT Type				頁數 Page	1/3
品號 PART NO.	5FP4AMRUD-XXXXWUX-01				繪圖 DRAWN	Roy 2015/09/24
圖號 DRAWING NO.	GN033-MC815	版本 REV.	C	核對 CHECKED	John 2015/09/24	
客戶品號 CUSTOMER P/N		比例 SCALE	None	承認 APPROVED	John 2015/09/24	
公差 TOLERANCE	.X ±0.20 .XX ±0.10	.X°±3	單位 UNIT	mm	THIRD ANGLE PROJECTION	



NO. OF POS	ITEM			NO. OF POS	ITEM		
	Bo	W	F		Bo	W	F
3	8.7	24	11.5	33	23.7	44	40.4
4	9.2	24	11.5	34	24.2	44	40.4
5	9.7	24	11.5	35	24.7	44	40.4
6	10.2	24	11.5	36	25.2	44	40.4
7	10.7	24	11.5	37	25.7	44	40.4
8	11.2	24	11.5	38	26.2	44	40.4
9	11.7	24	11.5	39	26.7	44	40.4
10	12.2	24	11.5	40	27.2	44	40.4
11	12.7	24	11.5	41	27.7	44	40.4
12	13.2	24	11.5	42	28.2	44	40.4
13	13.7	24	11.5	43	28.7	44	40.4
14	14.2	24	11.5	44	29.2	44	40.4
15	14.7	24	11.5	45	29.7	44	40.4
16	15.2	24	11.5	46	30.2	44	40.4
17	15.7	32	28.4	47	30.7	44	40.4
18	16.2	32	28.4	48	31.2	44	40.4
19	16.7	32	28.4	49	31.7	56	52.4
20	17.2	32	28.4	50	32.2	56	52.4
21	17.7	32	28.4	51	32.7	56	52.4
22	18.2	32	28.4	52	33.2	56	52.4
23	18.7	32	28.4	53	33.7	56	52.4
24	19.2	32	28.4	54	34.2	56	52.4
25	19.7	44	40.4	55	34.7	56	52.4
26	20.2	44	40.4	56	35.2	56	52.4
27	20.7	44	40.4	57	35.7	56	52.4
28	21.2	44	40.4	58	36.2	56	52.4
29	21.7	44	40.4	59	36.7	56	52.4
30	22.2	44	40.4	60	37.2	56	52.4
31	22.7	44	40.4	61	37.7	56	52.4
32	23.2	44	40.4				

- 10 sprocket hole pitch cumulative tolerance  $\pm 0.2\text{mm}$ .
- A measured on a plane 0.3mm above the bottom of the pocket.
- Material: Transparent Conductive Polystyrene.
- Thickness:  $0.40 \pm 0.05\text{mm}$  /  $W56: 0.50 \pm 0.05$ .
- Packing length per 22" reel: 24.60 Meters.
- Component loader 13" reel: 2000 pcs.
- For tape width (dimension W) 24mm a pilot hole is provided on one side. For tape width (dimension W) 32mm and 44mm, 56mm pilot holes are provided on both side.
- The top tape all of pull about 0.1N to 1.3N (10g to 130g).



COMPOSITION OF PACKAGING

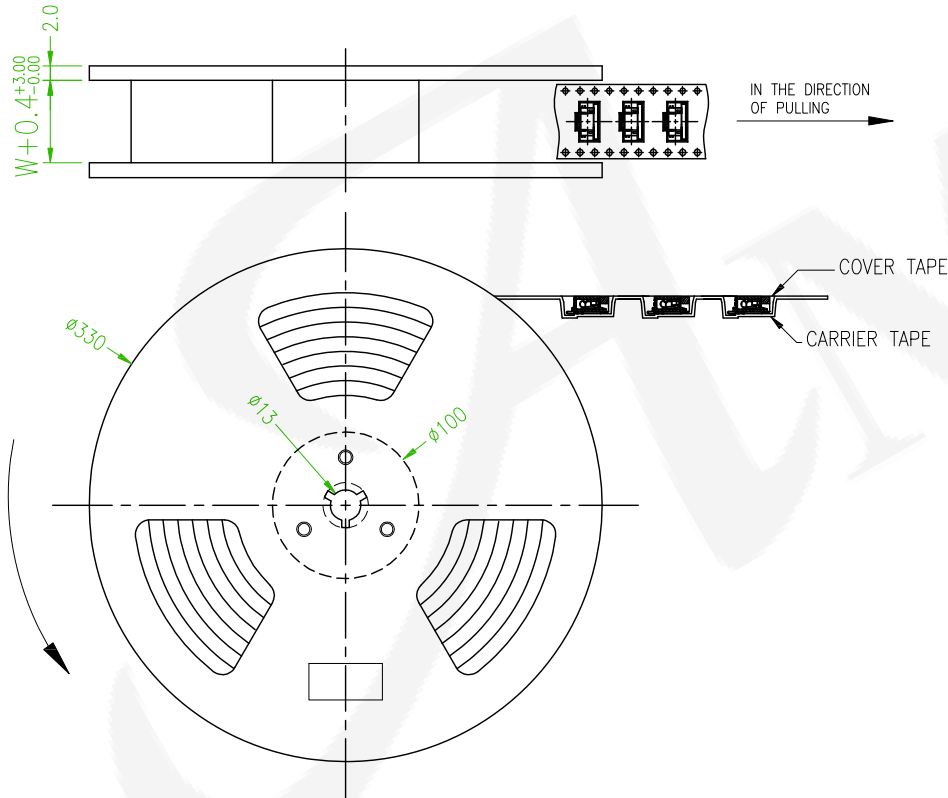
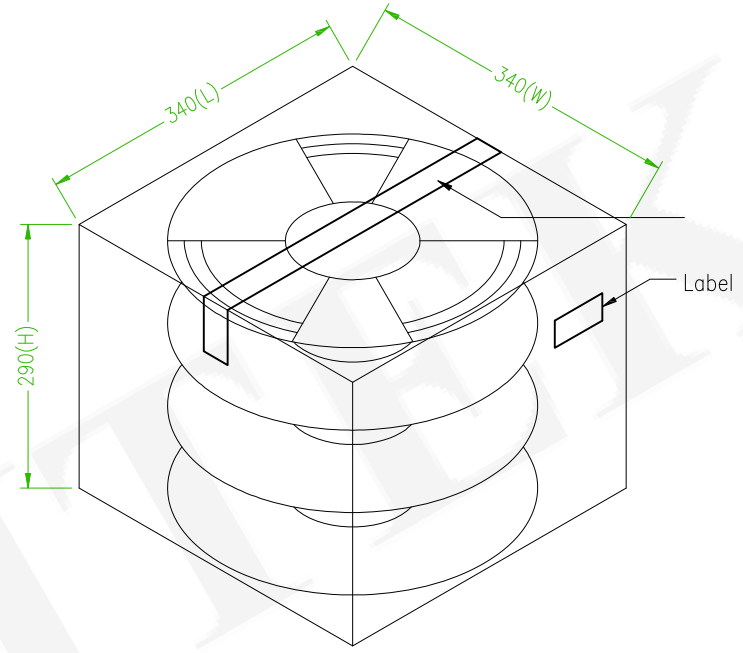
REV.	ECN NO. OR DESCRIPTION	REVISED	DATE
△	Add the Reel Package	Mia	2017/12/11
△	Revise the drawing	Roy	2016/05/30

糧德精密有限公司  
Amtek Technology Co., Ltd.  
TEL: 886-2-2260-6878  
FAX: 886-2-2260-8030

品名 TITLE	FPC/FFC 0.5mm Zif R/A SMT Type				頁數 Page	2/3
品號 PART NO.	5FP4AMRUD-XXXXWUX-01				繪圖 DRAWN	Roy 2015/09/24
圖號 DRAWING NO.	GN033-MC815		版本 REV.	C	核對 CHECKED	John 2015/09/24
客戶品號 CUSTOMER P/N			比例 SCALE	None	承認 APPROVED	John 2015/09/24
公差 TOLERANCE			單位 UNIT	mm	THIRD ANGLE PROJECTION	

NOTE:

1. REEL MATERIAL: PS
2. CARRIER MATERIAL: PS
3. COVER TAPE MATERIAL: PS
4. COVER TAPE REEL STRENGTH: 13"
5. QUANTITY: 2000pcs/REEL  
DETAIL QUANTIT: SEE TABLE
6. CARTON: 340\*340\*290mm



DIMENSION TABLE

NO. OF POS	NO.OF REEL	PACKAGING QUANTITY(PCS)
3~16	10	20000
17~24	8	16000
25~48	6	12000
49~61	4	8000

REV.	ECN NO. OR DESCRIPTION	REVISED	DATE
△	Add the Reel Package	Mia	2017/12/11
△	Revise the drawing	Roy	2016/05/30

**糧德精密有限公司**  
 Amtek Technology Co., Ltd.  
 TEL: 886-2-2260-6878  
 FAX: 886-2-2260-8030

品名 TITLE	FPC/FFC 0.5mm Zif R/A SMT Type				頁數 Page	3/3
品號 PART NO.	5FP4AMRUD-XXXXWUX-01				繪圖 DRAWN	Roy 2015/09/24
圖號 DRAWING NO.	GN033-MC815	版本 REV.	C	核對 CHECKED	John 2015/09/24	
客戶品號 CUSTOMER P/N		比例 SCALE	None	承認 APPROVED	John 2015/09/24	
公差 TOLERANCE		單位 UNIT	mm	THIRD ANGLE PROJECTION		