

SPECIFICATION

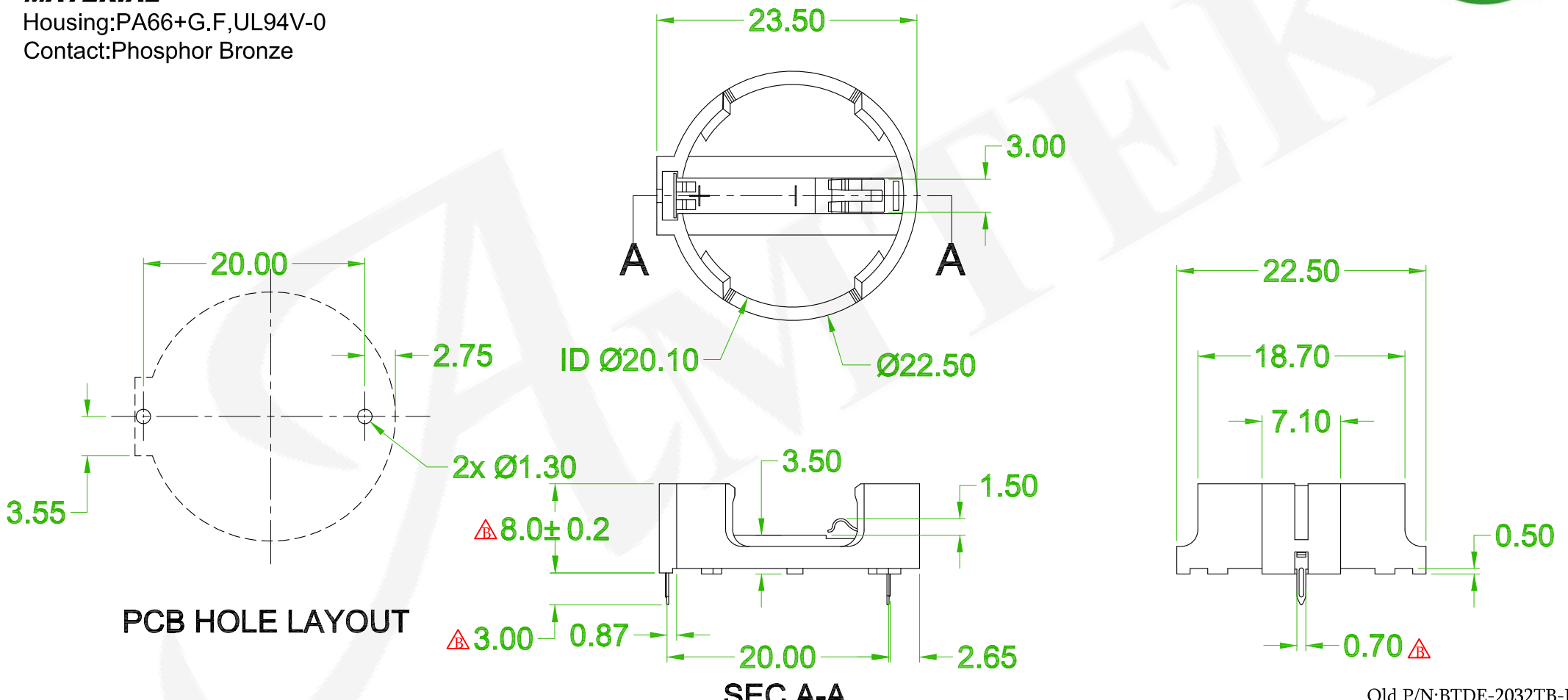
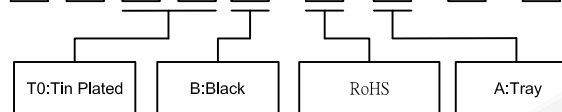
Contact Resistance:30mΩ Max.
 Insulator Resistance:1000 MΩ Min.
 Dielectric Voltage:500V AC for one minute
 Operating Temperature:-10°C to +120°C

MATERIAL

Housing:PA66+G.F,UL94V-0
 Contact:Phosphor Bronze

ORDER INFORMATION

5 S B D 2 0 3 2 D F - T 0 B L A - A 0 1



Old P/N:BTDE-2032TB-L

REV.	ECN NO. OR DESCRIPTION	REVISED	DATE
△x3	Revise the drawing	Nick	2019/04/30

耀德精密有限公司
 Amtek Technology Co., Ltd.
 TEL: 886-2-2260-6878
 FAX: 886-2-2260-8030

品名 TITLE	BATTERY HOLDER				頁數 Page	1/1
品號 PART NO.	5SBD2032DF-T0BLA-A01				繪圖 DRAWN	Roy 2017/06/15
圖號 DRAWING NO.		版本 REV.	B	核對 CHECKED	Jerry 2017/06/15	
客戶品號 CUSTOMER P/N		比例 SCALE	None	承認 APPROVED	Jerry 2017/06/15	
公差 TOLERANCE	.X ± 0.38 .XX ± 0.25	X°±3°	單位 UNIT	mm	THIRD ANGLE PROJECTION	