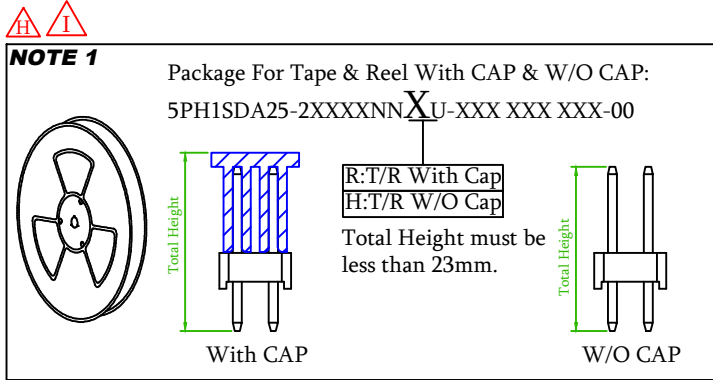
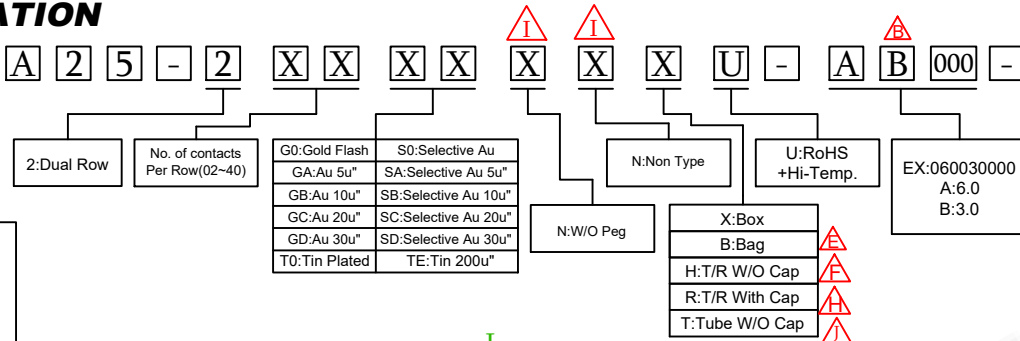


# MATERIAL

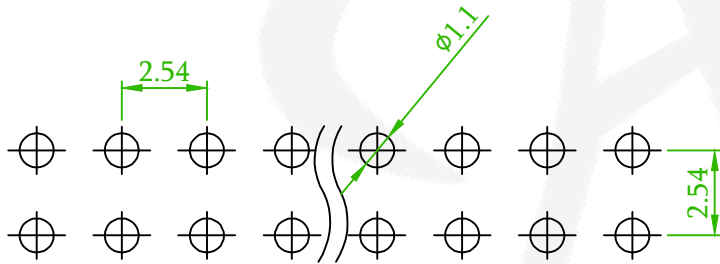
Insulator: Nylon 9T, UL94V-0, Black   
 Contacts Pin: Brass

# ORDER INFORMATION

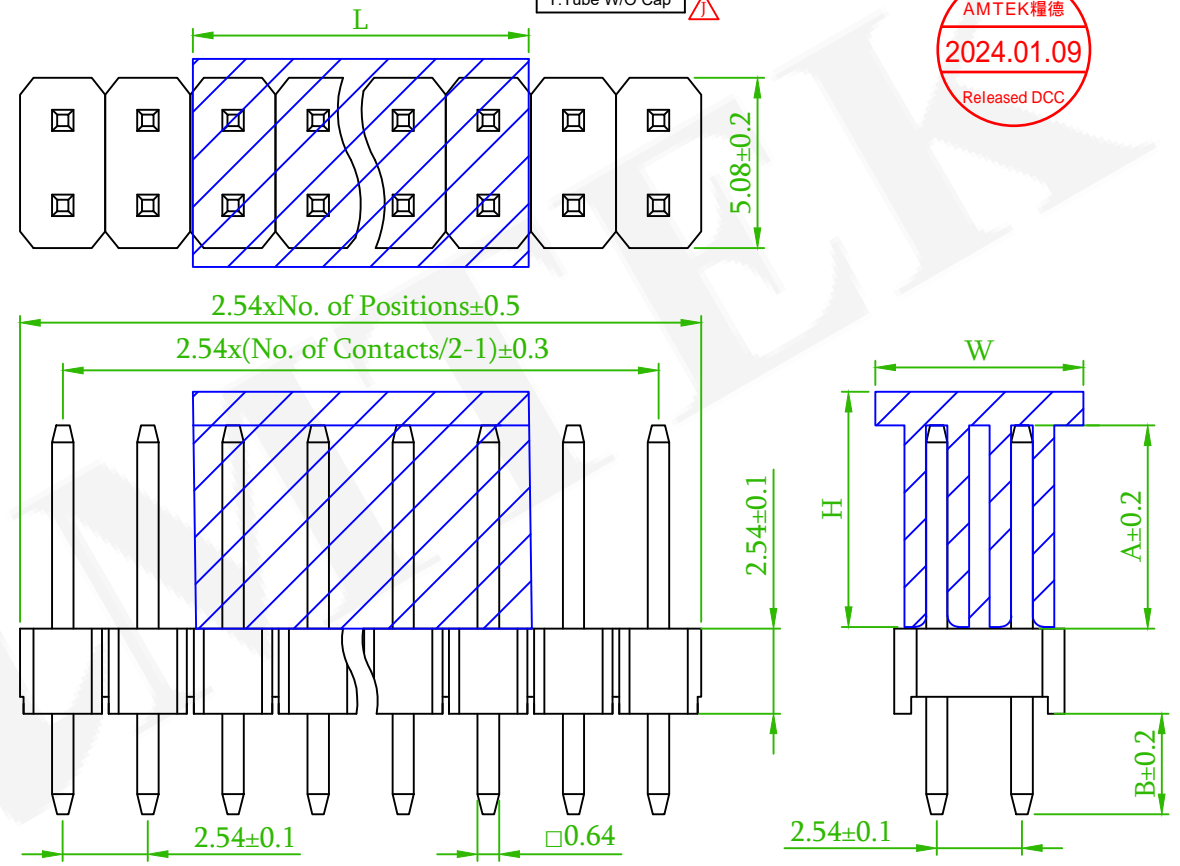
5 P H 1 S D A 2 5 - 2 X X X X X X X U - A B 000 - 0 0



CAP	L	W	H (Ref.)
> 2 x 4 Pin	10.0	6.3	7.0
≤ 2 x 4 Pin	5.08	6.3	7.0



Recommended PCB Layout  
 (PCB TOLERANCE ±0.1)



Old Part No. :PH1S25-2XX-U

 糧德精密有限公司 Amtek Technology Co., Ltd. TEL: 886-2-2260-6878 FAX: 886-2-2260-8030	品名 TITLE	PIN HEADER 2.54mm D/R V/T DIP TYPE			頁數 Page	1/1	
	品號 PART NO.	5PH1SDA25-2XXXXXXXU -XXXXXX000-00	繪圖 DRAWN	Mia	2015/08/24		
	圖號 DRAWING NO.	GN016-GA176	版本 REV.	J	核對 CHECKED	Josh 2018/03/22	
	客戶品號 CUSTOMER P/N		比例 SCALE	None	承認 APPROVED	Jason 2018/03/22	
	公差 TOLERANCE	.X ± 0.38 .XX ± 0.25	單位 UNIT	mm	THIRD ANGLE PROJECTION		

	EasyFlow:202401090002	Alice	2024/01/09
x4	Revise the Drawing	Rex	2023/03/13
x2	Add the package option & NOTE 1	Benson	2022/10/19
REV.	ECN NO. OR DESCRIPTION	REVISED	DATE