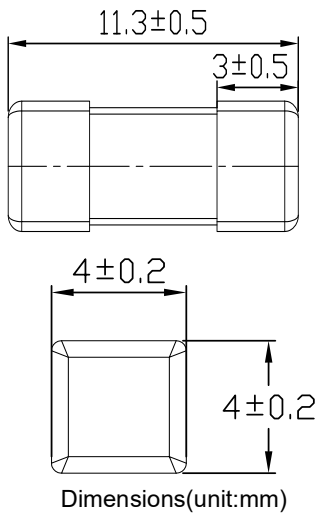


475 Brick Fuse



Main Characteristics

Brick fuse; Fast-Acting(F)

Standard

UL248-14

Materials

Body: Ceramic
End Caps: Copper plated with silver

Operating Temperature

-55°C to +125°C

Stock Temperature

+10°C to +60°C
Relative humidity: ≤75% yearly average
Without dew, maximum 30 days at 95%

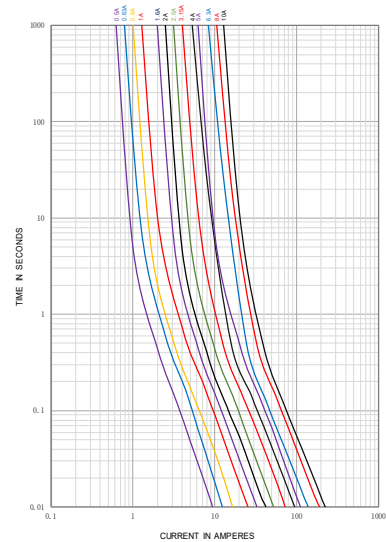
Vibration Resistance

24 cycles at 15 min. each (60068-6)
10-60Hz at 0.75mm amplitude
60-2000Hz at 10g acceleration

Soldering Parameters

260°C. ≤10 sec (Wave Soldering)
300°C. ≤2 sec (Hand Soldering)
Soldering Peak:
260°C. 10 sec.
280°C. 5 sec. (IEC 60068-20)

Average Time Current(I-T Curve)



Time vs Current Characteristics: UL248-14

Rated Current	100%	200%
400mA~10A	>4H	<60s



Electrical Characteristics at 25°C

Amp Code	Rated Current	Rated Voltage	Max. Voltage Drop (mV)	Breaking Capacity	Typical Melting I ² t(A ² sec)	Typical Cold Resistance (mΩ)	Approval
							cURus
0400	400mA	125V AC 250V AC 125V DC 250V DC 400V DC	1000	150A@125V AC 150A@250V AC 150A@125V DC 150A@250V DC 100A@400V DC	0.11	1820	•
0500	500mA		700		0.14	912	•
0630	630mA		500		0.15	512	•
0800	800mA		500		0.32	418	•
1100	1.00A		300		0.47	147	•
1125	1.25A		200		0.90	106	•
1160	1.60A		200		1.88	71.4	•
1200	2.00A		150		1.84	52.4	•
1250	2.50A		150		2.69	40.2	•
1315	3.15A		150		4.38	31.0	•
1400	4.00A	125V AC 250V AC 125V DC 250V DC	150	150A@125V AC 150A@250V AC 150A@125V DC 150A@250V DC	8.10	22.7	•
1500	5.00A	120	18.5	15.4	•		
1630	6.30A	125V AC 250V AC	120	150A@125V AC 150A@250V AC	25.8	12.0	•
1800	8.00A		120		49.0	8.60	•
2100	10.00A		120		72.3	7.00	•

Note: (1) Permissible continuous operating current is ≤100% at ambient temperature of 23° C (73.4° F)
(2) The current values used for calculating I²T should be within the standard range of 8ms~10ms.

Ordering Information

Series	Amp Code	Supplementary Code	Qty
475			



Sales Contact
sls01@betterfuse.com

Technical Support
kenny@betterfuse.com

National High-tech Enterprise
SC 32C National Technical Committee Member of China
Intertek ISO 9001 Certified Company
Intertek ISO 14001 Certified Company
Intertek QC 080000 Certified Company
NQA IATF 16949 Certified Company

国家高新技术企业
SC 32C 国内专家组成员单位
ISO 9001 认证企业
ISO 14001 认证企业
QC 080000 认证企业
IATF 16949 认证体系