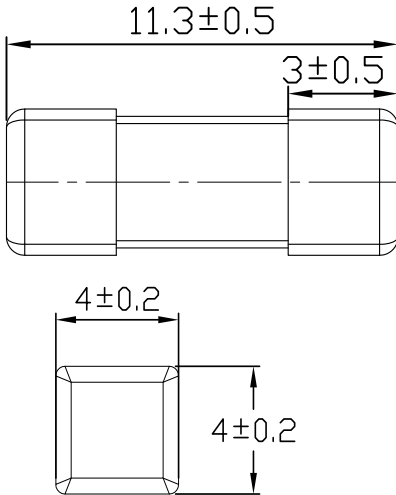


# 477 Brick Fuse



Dimensions(unit:mm)

### Main Characteristics

Brick fuse; Time-Lag(T)

### Standard

UL248-14

### Materials

Body: Ceramic  
End Caps: Copper plated with silver

### Operating Temperature

-55°C to +125°C

### Stock Temperature

+10°C to +60°C

Relative humidity: ≤75% yearly average  
Without dew, maximum 30 days at 95%

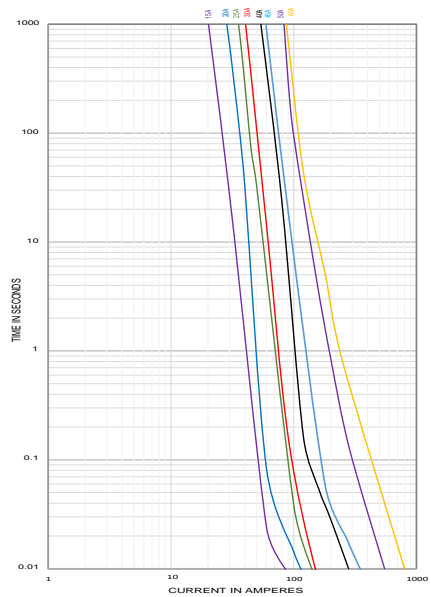
### Vibration Resistance

24 cycles at 15 min. each (60068-6)  
10-60Hz at 0.75mm amplitude  
60-2000Hz at 10g acceleration

### Soldering Parameters

260°C. ≤10 sec (Wave Soldering)  
300°C. ≤2 sec (Hand Soldering)  
Soldering Peak:  
260°C. 10 sec.  
280°C. 5 sec. (IEC 60068-20)

Average Time Current(I-T Curves)



### Time vs Current Characteristics: UL248-14

| Rated Current | 100% | 200%  |
|---------------|------|-------|
| 15~40A        | >4H  | <60s  |
| 45~60A        | >4H  | <240s |



### Electrical Characteristics at 25°C

| Amp Code | Rated Current | Rated Voltage                          | Max. Voltage Drop (mV) | Breaking Capacity   | Typical Melting I <sup>2</sup> t(A <sup>2</sup> sec) | Typical Cold Resistance (mΩ) | Approval |
|----------|---------------|--|------------------------|---|--|------------------------------|----------|
|          |               |  |                        |   |  |                              | cURus    |
| 2150     | 15A           | 125V AC<br>250V AC<br>32V DC<br>72V DC | 90                     | 150A@125V AC<br>150A@250V AC<br>1000A@32V DC<br>500A@72V DC | 72.3   | 3.65                         | •        |
| 2200     | 20A           |  | 90                     |   | 132  | 2.78                         | •        |
| 2250     | 25A           |  | 75                     |   | 196  | 2.16                         | •        |
| 2300     | 30A           |  | 70.2                   |   | 225  | 1.78                         | •        |
| 2400     | 40A           |  | 68.5                   |   | 756.25   | 1.16                         | •        |
| 2450     | 45A           | 125V AC<br>32V DC<br>60V DC            | 60                     | 250A@125V AC<br>1000A@32V DC<br>500A@60V DC                 | 1198.8   | 0.93                         | •        |
| 2500     | 50A           |  | 50                     |   | 3025   | 0.55                         | •        |
| 2600     | 60A           |  | 50                     |   | 6400   | 0.50                         | •        |

Note: (1) Permissible continuous operating current is ≤100% at ambient temperature of 23°C (73.4°F)

(2) The current values used for calculating I<sup>2</sup>T should be within the standard range of 8ms ~ 10ms.

### Ordering Information

| Series | Amp Code | Supplementary Code | Qty |
|--------|----------|--------------------|-----|
| 477    |          |                    |     |



Sales Contact  
sis01@beterfuse.com

Technical Support  
Kenny@betterfuse.com

National High-tech Enterprise  
SC 32C National Technical  
Committee Member of China  
Intertek ISO 9001 Certified Company  
Intertek ISO 14001 Certified Company  
Intertek QC 080000 Certified Company  
NQA IATF 16949 Certified Company

国家高新技术企业  
SC 32C 国内专家组成员单位  
ISO 9001 认证企业  
ISO 14001 认证企业  
QC 080000 认证企业  
IATF 16949 认证体系