

SWITCH / ROCKER SW

MR6
DPST Mini-rocker switches, 20A 125VAC in
UL/CUL, High inrush current up to 141A

MR6 SERIES OFFER A SOFT FEELING BUT STRONG CHARACTER OF
HIGH CURRENT

High Inrush Current up to 141A on request

DOUBLE POLE ROCKER SWITCHES UP TO 20A 125VAC

Soldering, PCB or Quick Connecting Terminals



[PDF Download](#)

[Get Information](#)

 [Print this page](#)

 ZOOM IN

Feature



- UL61058-1 (cURus , ENEC15)
12(4)A 125/250V ~T55, T125/55 6E3, 1E4
16(8)A 125/250V ~T55, T125/55 6E3, 1E4
16A 6~30VDC, ~T55, T125/55 6E3, 1E4
8[128]A 250V~ T55, 1E4
TV-10 /125V~T55, 25E3
- UL1054 approved: (cURus)
20A 125VAC, 16A 250VAC 6E3
TV-10 /125VAC 25E3
- Initial contact resistance : 20m ohm (max.)
- Insulation resistance : 100M ohm (min,) at 500VDC
- Dielectric strength : 1,500VAC for 1 minute
- Safety approved internationally by cURus in North America, ENEC15 in Europe
- Standard 12.9x19.2mm snap-in cutout size
- DPST, SPST circuitry
- With or without illuminated type
- Complete terminals options quick-connect, solder and PCB pins
- Waterproof cover boot as optional accessory

What is Inrush Current? And why MR6?

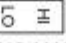

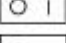
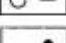


Quoted from Wekipedia:

~Inrush current, input surge current or switch-on surge is the maximum, instantaneous input current drawn by an electrical device when first turned on. For example, incandescent light bulbs have high inrush currents until their filaments warm up and their resistance increases. Alternating current electric motors and transformers may draw several times..... ~

Choosing a switch that can have a good capacity for your device is thus very important for your device's safety. Our MR6 series can offer an option up to TV10 or equivalent to 141A inrush that can be the appropriate switch to ensure your device's life and stability.

Specification

How to Order:

MR6 - 2	1	0	C	5	W -	N
POLE	FUNCTION	TERMINAL TYPE	ACTUATOR TYPE	MARKING TYPE	MARKING COLOR	ILLUMINATED TYPE
1 SINGLE 2 DOUBLE	1 ON-OFF	0 QUICK CONNECT 1 SOLDER 2 PC TERMINALS	C CURVE	1  2 NO MARK 3  4  5  6  9 	N NO B BLACK W WHITE R RED	N NON-LAMP L ILLUMINATED 100-125VAC G ILLUMINATED 200-250VAC 1 TUNGSTEN BULB DC30V

Panel Cutout



Snap-in Panel Cutout
X=Panel Thickness

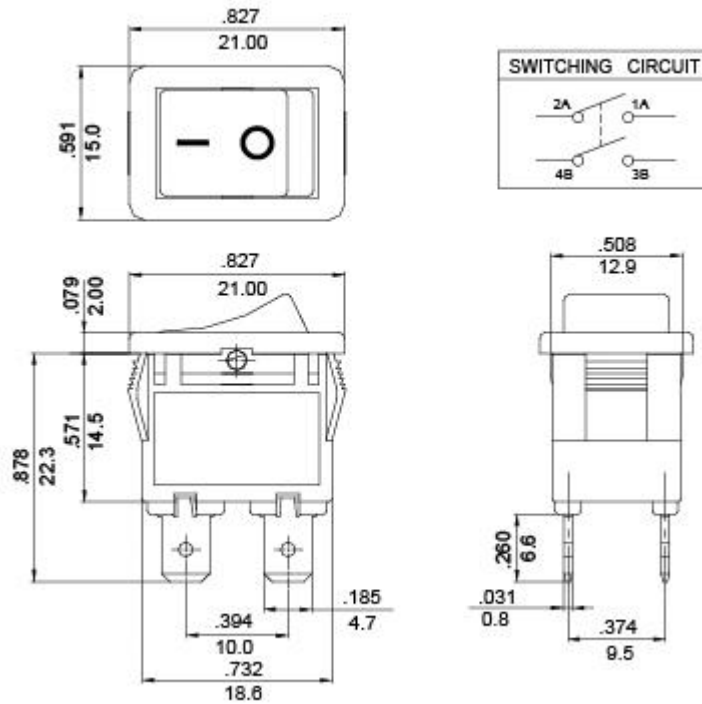
X	Dim.Y	Dim.Z
0.75 to 1.25mm	19.2 + 0 / -0.1	12.9 + 0.15 / - 0
1.25 to 2 mm	19.4 + 0 / -0.1	12.9 + 0.15 / - 0
2 to 3 mm	19.8 + 0 / -0.1	12.9 + 0.15 / - 0

B	B	B
BASE COLOR	ACTUATOR COLOR	RATING TEMPERATURE
B BLACK W WHITE A GRAY	B BLACK W WHITE A GRAY O ORANGE G GREEN R RED	A 12(4)A 125/250VAC T55 B 16(8)A 125/250VAC T55 (Std.) D 16A (6~30VDC) T55 E TV-10 125VAC T55 (non-lamp type) F 8[128]A 250VAC T55 (non-lamp type) 1 12(4)A 125/250VAC T125/55 2 16(8)A 125/250VAC T125/55 4 16A (6~30VDC) T125/55

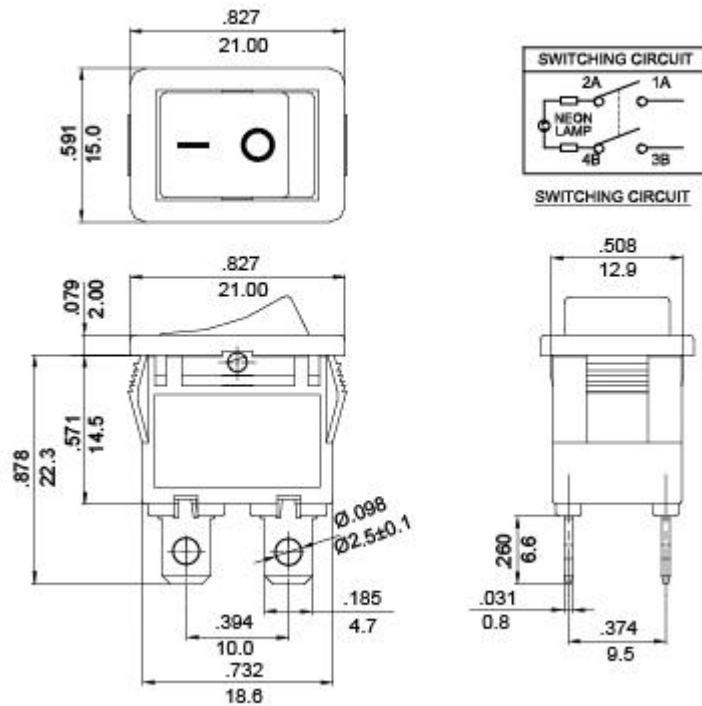
Item



MR6-210C5W-NBBB

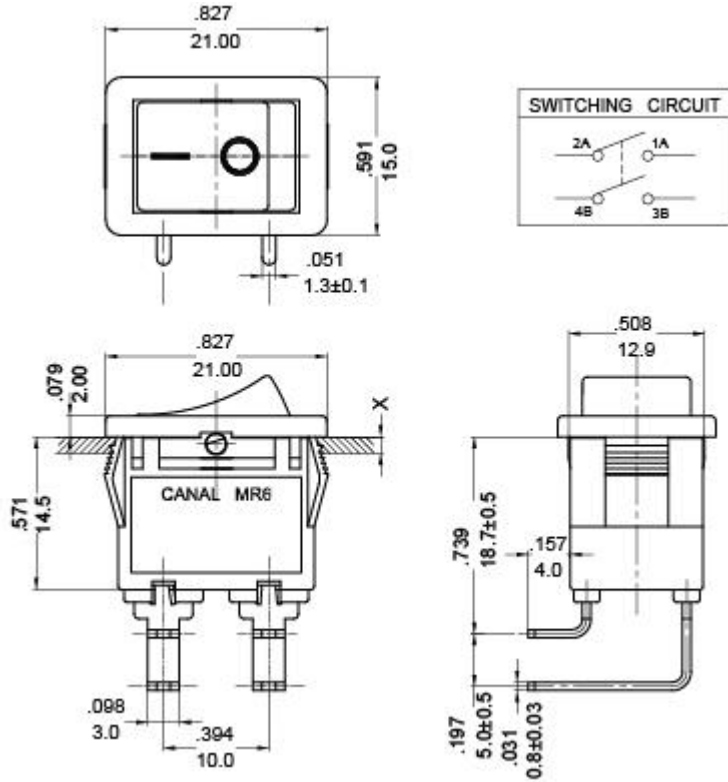


MR6-211C5W-GBRB





MR6-212C5W-NBBB



MR6-211C2N-LBWB

