

SWITCH / ROCKER SW

## MR-series Standard mini-rocker switches, 13x19mm, DPST, SPST Up to 16(4)A 125/250VAC

Double pole or single pole mini-rocker switches up to 16(4)A 125/250VAC

SPST, DPST, illuminated or non-illuminated

Can be offered with optional soft outlook

Fit international panel cutout ( 13x19mm )

Splash-protection cover available



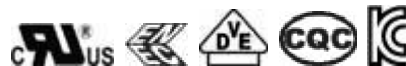
PDF Download

Get Information

 [Print this page](#)

### Feature

---



- Non-illuminated type: (cURus , ENEC15)
  - 16(4)A 125/250V ~T125/55, 1E4
  - 12(4)A 125/250V ~T125/55, 1E4
  - 10(4)A 125/250V ~T125/55, 1E4
  - 16RA 30VDC MAX ~T155/55, 1E4
- Illuminated type: (cURus , ENEC15)
  - 16(4)A 125/250V~T55, 1E4
  - 12(4)A 125/250V~T55, 1E4
  - 10(4)A 125/250V~T55, 1E4
  - 12RA 30VDC MAX T55, 1E4
- UL1054 approved: (cURus)
  - 10A 125VAC, 8A 250VAC 1/4HP
- VDE, ENEC10, CQC (GB15092.1/GB8898)
  - 10(4)A 250V~T125/55 1E4
- KC (Korea)
  - 10(4)A 250V , 1E4 (for specific model)
- Initial contact resistance : 20m ohm MAX.
- Insulation resistance : 100M ohm MIN. at 500VDC
- Safety approved internationally by cURus in North America, VDE& ENEC10 or ENEC15 in Europe, CQC& KC in Asia
- DPST, SPST circuitry
- Terminals options: quick-connect, solder and PCB pins
- Optional IEC60335-1 glow wire test 750 degree C <=2 Sec
- Built in with optional neon lamp, DC LED lamp upon request
- Waterproof cover boot as optional accessory

### Specification

---

[How to order](#)

MR	2	1	1	C	5	W
SERIES SYMBOL	POLE	FUNCTION	TERMINAL TYPE	ACTUATOR TYPE	MARKING TYPE	MARKING COLOR
MR SERIES	1 SINGLE POLE 2 DOUBLE POLE H HALF BODY POLE	1 ON-OFF	0 QUICK CONNECT 1 SOLDER 2 PC TERMINALS	C CURVE	1 HI LO 2 NO MARKING 3 ON OFF 4 ○   5 ○ —	N NO B BLACK W WHITE R RED

L	B	R	A	X
ILLUMINATED TYPE	BASE COLOR	ACTUATOR COLOR	RATING TEMPERATURE	SUFFIXES
N NO LAMP L ILLUMINATED 100-125VAC G ILLUMINATED 200-250VAC 6 LED DC6V 7 LED DC12V 8 LED DC24V	B BLACK W WHITE A GRAY	B BLACK W WHITE A GRAY • O ORANGE • G GREEN • R RED	A 10(4)A 125/250VAC T55 B 12(4)A 125/250VAC T55 C 16(4)A 125/250VAC T55 D 16A (6-30VDC) T55 1 10(4)A 125/250VAC T125/55 2 12(4)A 125/250VAC T125/55 3 16(4)A 125/250VAC T125/55 4 16A (6-30VDC) T125/55 <i>* Standard Rating B</i>	BLANK OR LETTER/NUMBER  <b>Consult us for detailed code</b>

**Note:**

1. " \* " can apply to PC material
2. The products options may be too many to be listed fully above, kindly consult our sales directly for more information.
3. This tree is based on standard UL61058-1

Panel Cutout



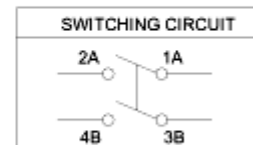
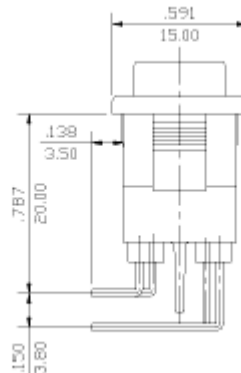
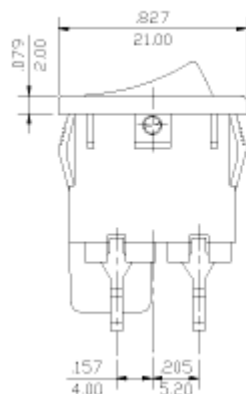
Snap-in Panel Cutout  
X=Panel Thickness

X	Dim.Y	Dim.Z
0.75 to 1.25mm	19.2 + 0 / -0.1	12.9 + 0.15 / - 0
1.25 to 2 mm	19.4 + 0 / -0.1	12.9 + 0.15 / - 0
2 to 3 mm	19.8 + 0 / -0.1	12.9 + 0.15 / - 0

Item

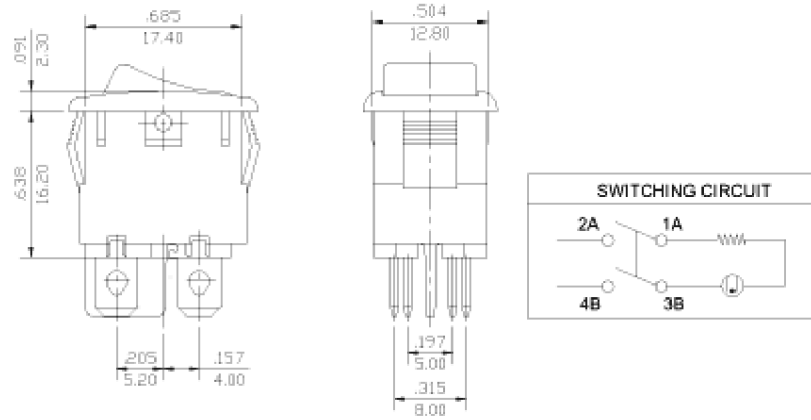


MR-212C5W-NBBB-B2N

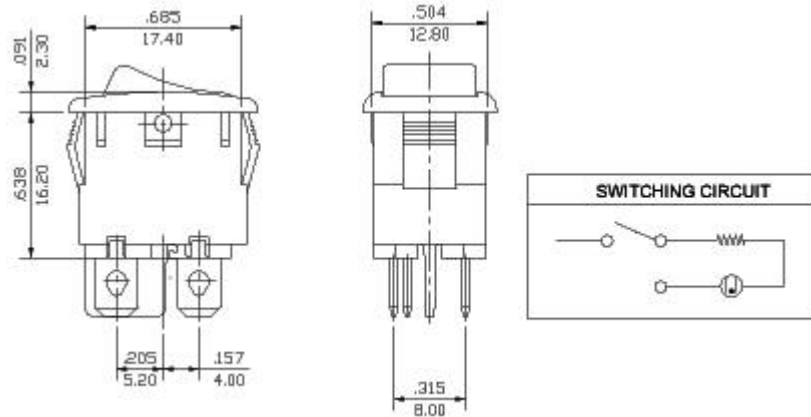




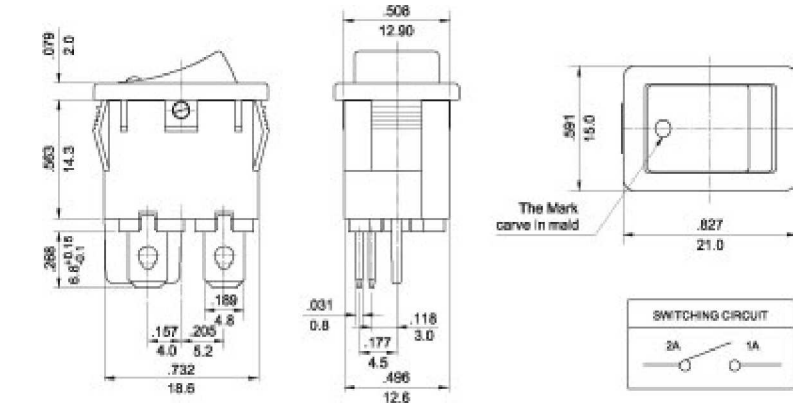
MR-211C2N-LBRN-1LN  
Soft Outlook, DPST



MR-111C5N-LBRN-1LN  
Soft Outlook, SPST



MR-111C6W-NBBB-12N



MR-211C2N-NBBB-13N  
with "Cross" insulation barrier

