

X7-Series IP67 Single Pole or Double Pole Rocker Switch, Twin-lens Illumination, full protection, up to 25(8)A

Full body protection, sealed to IP67 protection, Double LEDs, ON-ON, ON-OFF or ON-OFF-ON

Single Pole or Double Pole Rocker Switch

Twin-Len Illumination



 ZOOM IN

[PDF Download](#)

[Get Information](#)

 [Print this page](#)

Feature

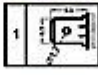
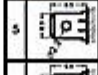
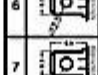
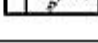


- 16(8)A 125/250V~T55, T125/55 (cURus, ENEC, CQC)
- 20(8)A 125/250V~T55, T125/55 (cURus, ENEC, CQC)
- 25(8)A 125/250V~T55 (cURus, ENEC, CQC)
- 16A 6~48VDC T55, 40T125/55 (cURus, ENEC, CQC)
- 20A 6~36VDC T55, 40T125/55 (cURus, ENEC, CQC)
- Dielectric strength : 1,500VAC for 1 min.
- Insulation resistance : 100M ohm MIN. at 500VDC
- Initial contact resistance : 20m ohm MAX
- Electrical life : 10,000 cycles
- ON-OFF-ON, ON-ON, ON-OFF or other momentary functions available
- Two LEDs for custom color selection
- quick connecting terminals
- Plastic housing and actuator
- Suitable for outdoor application
- Sealed to protection level IP67 (passing MIRDC's TAF laboratory test)
- China Patent No.:
201220728673.5
201430551972.0
201430551924.1

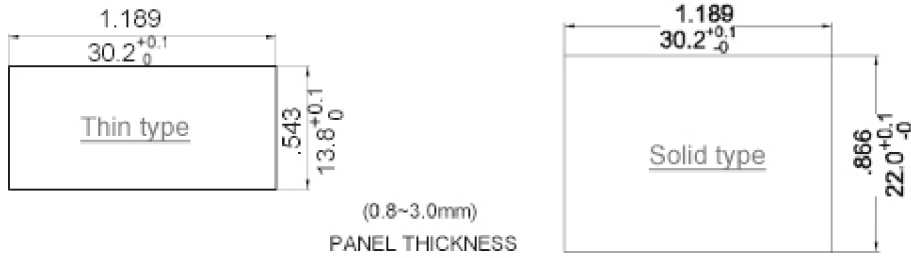
Specification

How to Order

X7	2	1	1	F	2	N	L
	POLE	FUNCTION	TERMINAL	ACTUATOR	MARKING	MARKING COLOR	ILLUMINATED VOLTAGE
	1 SINGLE POLE 2 DOUBLE POLE H SINGLE POLE	1 ON-OFF 2 ON-ON 3 ON-OFF-ON 4 (ON)-OFF 5 (ON)-ON 6 (ON)-OFF-(ON) 7 (ON)-OFF-ON	0 QUICK - CONNECT 1 SOLDER	F FLAT	2 NONE * Consult the factory	N NONE B BLACK W WHITE	N NONE L 100-125VAC G 200-250VAC 1 LED DC12V 2 LED DC24V

B	B	A	1	W	W	C
BASE COLOR	ACTUATOR COLOR	RATING	TERMINAL TYPE	LIGHT COLOR	PROTECTION	SPECIAL
B BLACK W WHITE	B BLACK W WHITE	A 16(8)A 125/250V~ T55, IP67 B 20(8)A 125/250V~ T55, IP67 C 25(8)A 125/250V~ T55, IP67 D 16A 6~48VDC T55, IP67 E 20A 6~36VDC T55, IP67 1 16(8)A 125/250V~ T125/55 2 20(8)A 125/250V~ T125/55 4 16A 6~48VDC 40T125/55 5 20A 6~36VDC 40T125/55	(Quick connect)  (Solder)   	N NONE R RED W WHITE G GREEN * Others or two colors	W FULL WATERPROOF	C DATECODE

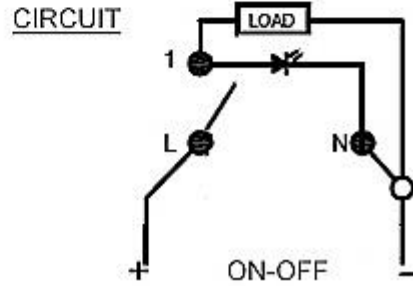
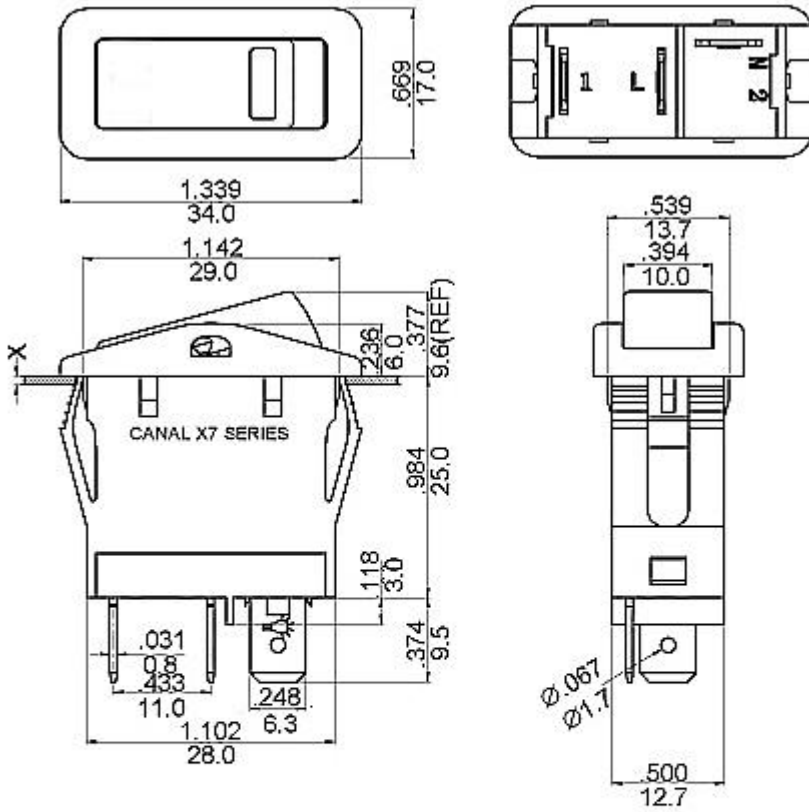
Two Panel Cutouts, Thin Type or Solid Type:



Item



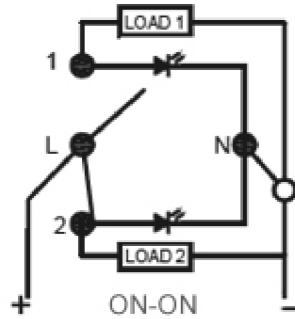
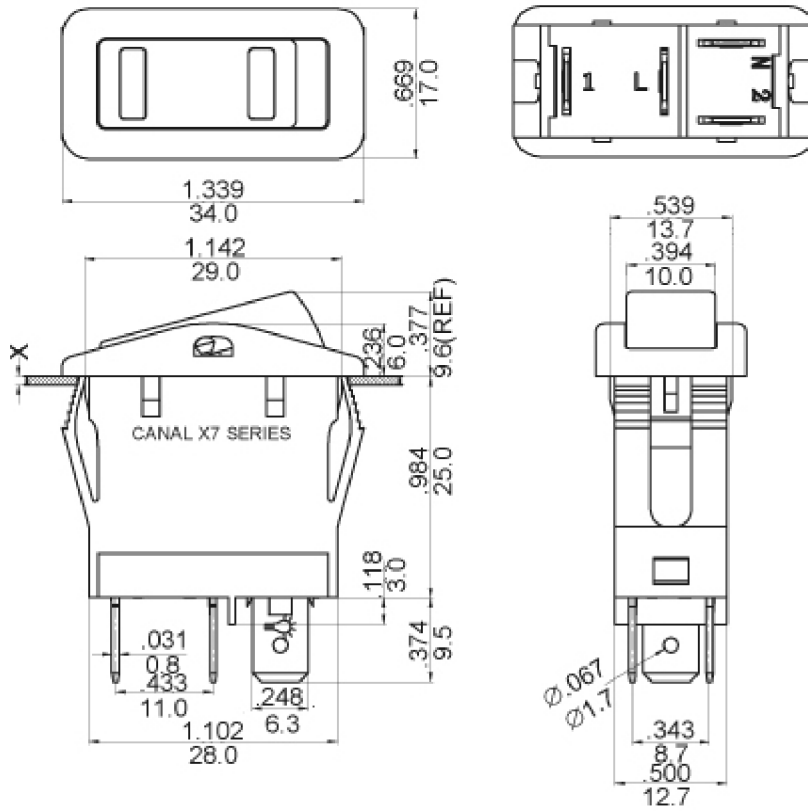
X7-H10F2N-1BBD-1*WC
(ON-OFF, 2 position)



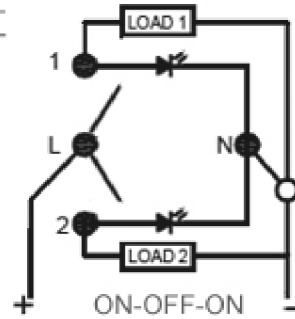


X7-H20F2N-LBBA-1*WC
(ON-ON, 2 positions)

X7-H30F2N-LBBA-1*WC
(ON-OFF-ON, 3 positions)

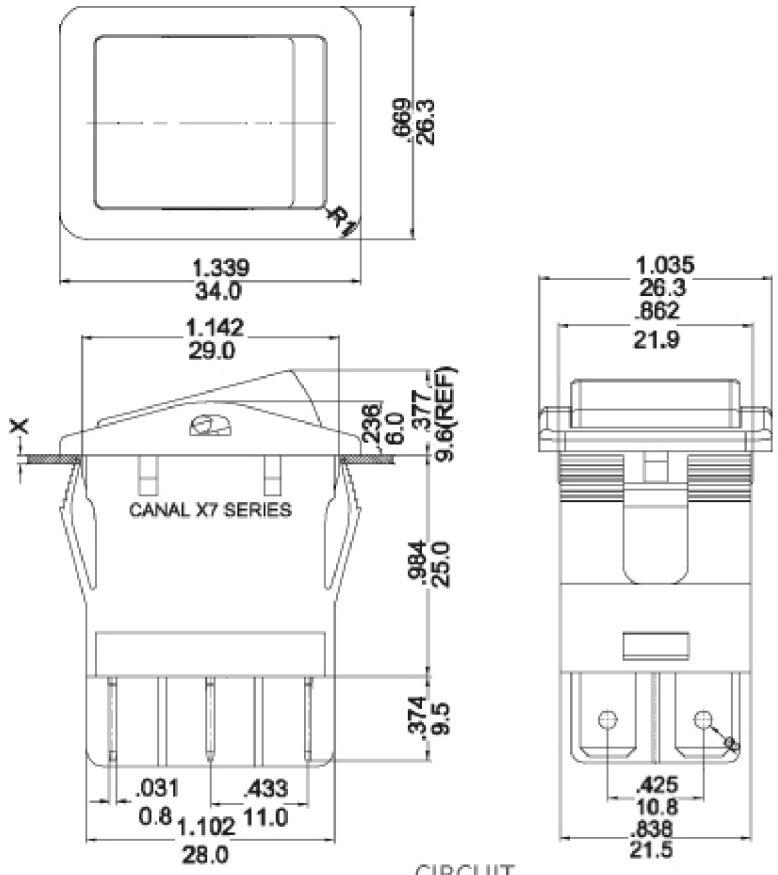


CIRCUIT

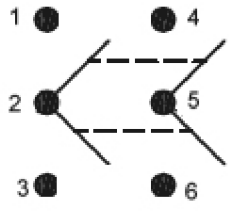


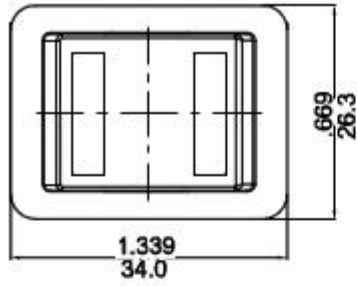


X7-230F2N-NWWB-1NWC
(ON-OFF-ON, 3 Positions)

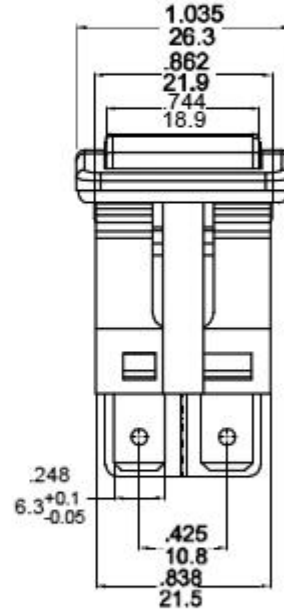
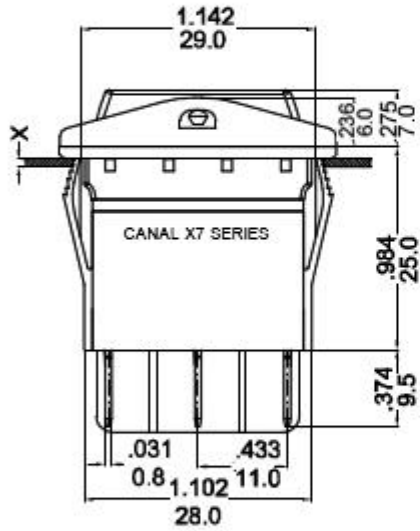


CIRCUIT





X7-230F2N-1BBD-1*WC
(ON-OFF-ON, 3 Positions)



CIRCUIT

