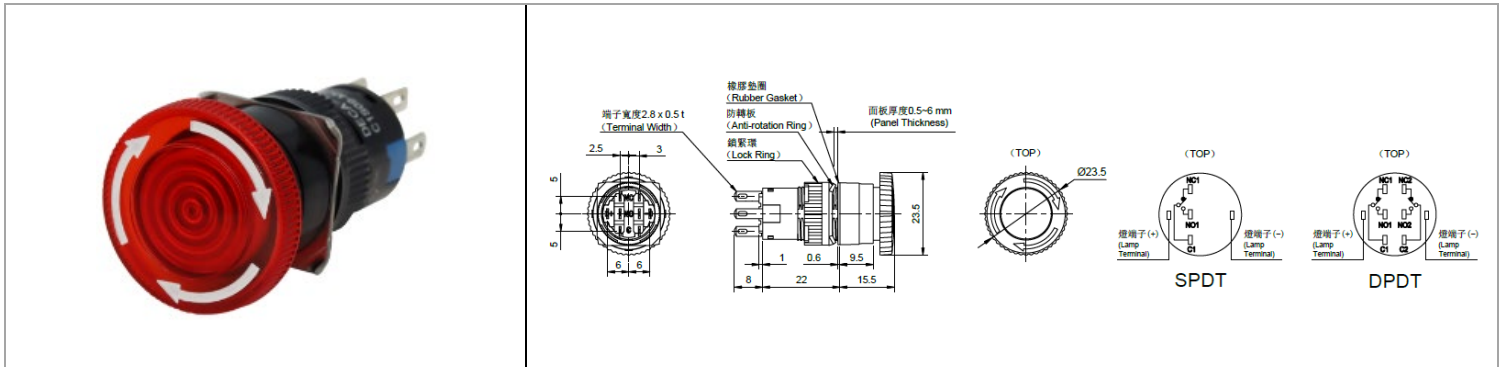


C1S09-XXXX-X

工業開關 > 金屬開關



目錄僅供參考，實際規格仍依照產品工程圖面為準

產品介紹 Product Description

應用標準 Application Standards

UL (UL508, CSA-C22.2 No. 14)	
AC General	125V/5A, 250V/5A
AC resistance	125V/5A, 250V/5A
DC resistance	24V/1A, 125V/0.2A, 250V/0.1A
CCC (GB/T14048.5-2017)	
Ui	250V
Ith	5A
Uimp	1.5kV
AC -12	12V/5A, 30V/5A, 125V/4A, 250V/2A
AC -15	12V/5A, 30V/5A, 125V/3A, 250V/1.5A
DC -12	12V/1A, 30V/1A, 125V/0.32A / 250V/0.16A
DC -13	12V/1A / 30V/1A / 125V/0.22A / 250V/0.11A
IP	IP40, IP65

C1S	□	-	□	□	□	-	□
Function	Shape	Degree of Protection	Lamp Operating Voltage	Color	Contant		
04: Pushlock Turn Clockwise to Reset	MC: Mushroom	1: IP40 2: IP65	0: Without Lamp (For C1S04) 1: Pushbutton H: LED 6V AC/DC J: LED 12V AC/DC K: LED 24V AC/DC	R: Red	H10: DPDT (For C1S04) H11: SPDT (For C1S04) H01: DPDT (For C1S09) H02: SPDT (For C1S09)		
09: Illuminated Pushlock Turn Clockwise to Reset							

技術規格 Technical Data

Dielectric Strength	Switch Unit	<p>Between live part and dead metal part: 2,000V AC, 1 min.</p> <p>Between terminals of different poles: 1,500V AC, 1 min.</p> <p>Between terminals of the same poles: 1,500V AC, 1 min.</p> <p>Between Contact and lamp terminals: 1,500V AC, 1 min.</p>
	Illuminated Unit	<p>Between Live Part and ground: 2,000V AC, 1 min.</p>
Contact Resistance		50 mΩ maximum (initial value)
Insulation Resistance		100 MΩ minimum
Operating Humidity		45 to 85% RH (no condensation)
Storage Temperature		-30 to +80°C (no freezing)
Operating Temperature		-25 to +55°C (no freezing)
LED Operating Temperature		-25 to +55°C (no freezing)
Vibration Resistance		5 to 55 Hz, amplitude 0.75 mm
Shock Resistance		Damage limits: 500 m/s ² Operating extremes: 200 m/s ²
Mechanical Life		Momentary: 1,000,000 Maintained: 100,000
Electrical Life		50,000
Terminal Style		Solder terminal
Button travel (nominal)		2.8mm
Operating Force (nominal)		For 1NO1NC: 2 N For 2NO2NC: 3 N
Weight(approx.)		9g(C1C)
		10g(C1C) (Illuminated)
		6g(C1P)
		7g(C1S)
		8g(C1S) (Illuminated)
		9g(C1S04, C1S09) 9g(C1K)