

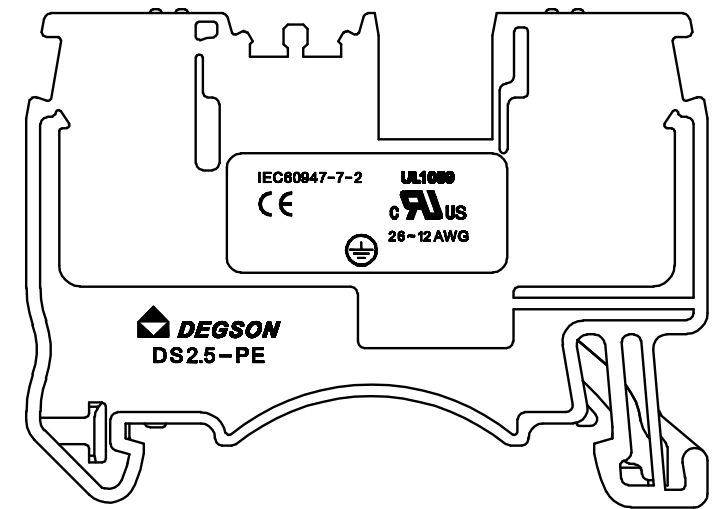
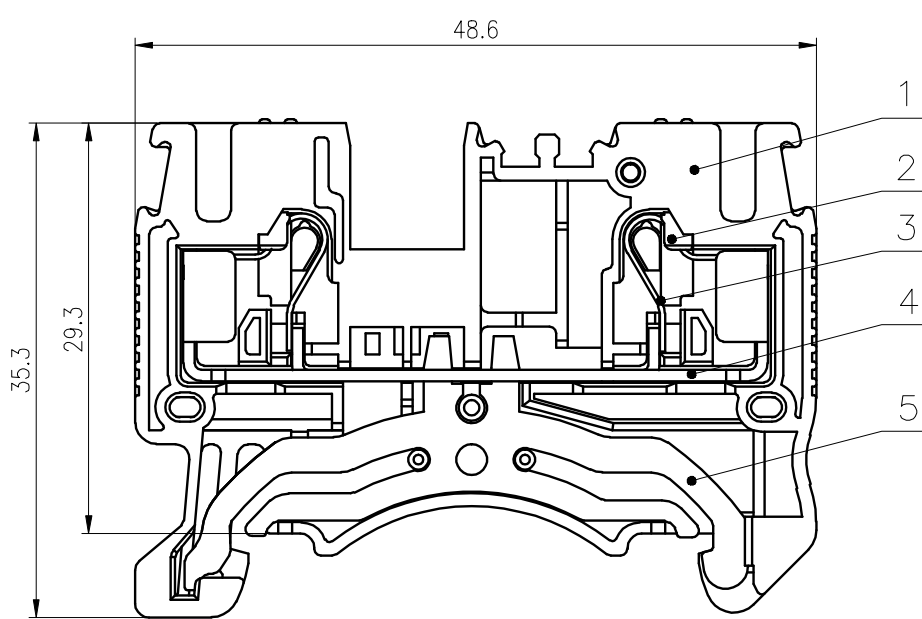
未注公差/General tolerances(mm)											D 0.1/10		
0	>3	>6	>10	>18	>30	>50	>80	>120	>180	>250		>315	>400
±0.12	±0.18	±0.22	±0.26	±0.31	±0.37	±0.57	±0.80	±0.93	±1.05	±1.15	±1.60	±2.20	±2.50

A

B

C

D



UL 标准/UL Standard:	B	C	D
额定电压/电流/Rated Voltage(V)/Current(A)	/	/	/
IEC 标准/IEC Standard:			
过压类别/Overvoltage Category/污染等级/Pollution Degree	III/3	/	/
额定电压/电流/Rated Voltage(V)/Current(A)	/	/	/
额定脉冲电压(KV)/Rate Impulse Voltage(KV)	8.0	/	/
线径范围(硬线和软线)/Wire Range(rigid and flexible)(mm <sup>2</sup> /AWG)	0.2~2.5&4(SOL)/26~12		
间距/Pitch(mm)	5.2		
剥线长度/Stripping length(mm)	10~12		
使用温度范围/Operating temperature(°C)	-40~+105		
符合RoHS环保要求/Conform to RoHS	Yes		
标准颜色编号/Standard color number: PANTONE / RAL	/		

MATERIAL: /	SURFACE: /		
MAT NO.: /	<b>宁波高松电子有限公司</b> <b>NINGBO DEGSON ELECTRICAL CO., LTD</b>		
STATUS: /			
APPD: Li GL 2020.04.02			
CHKD: Mao J 2020.04.02			
DRFT:Wang LX 2020.04.02	NAME: DS2.5-PE-01P-1C-00A(H)	DRAWING NO.: DS2.5-PE-C01	REV T1
④	SIZE: A4	TYPE: CUSTOMER DRAWING	SCALE: 2:1 SHEET 1/1

5	Grounding	Copper alloy	Sn Plated
4	Current carrier	Copper	Sn Plated
3	Spring	Stainless steel	
2	Button	PA66-GF	UL94V-0
1	Housing	PA66	UL94V-0
ITEM	NAME OF PART	MATERIAL	NOTES

REV	ECN	DESCRIPTION	DRFT	DATE

**IEC Electrical parameters** □

Rated voltage (III / 3)	/
Rated current (III / 3)	/

**UL Electrical parameters** □

Rated voltage	/
Rated current	/

**Wiring data** □

Conductor cross section flexible (ferrule without plastic sleeve)	0.14-2.5mm <sup>2</sup>
Conductor cross section flexible (ferrule with plastic sleeve)	0.14-2.5mm <sup>2</sup>
2 flexible conductors with a TWIN ferrule	0.5mm <sup>2</sup>
Strip length	10~12mm
Conductor cross section solid	0.14~4mm <sup>2</sup>
Conductor cross section flexible	0.14~2.5 mm <sup>2</sup>
Conductor cross section solid AWG	26~12

**Environmental conditions** □

Ambient temperature (storage / transport)	-25°C~60°C
---	------------

Ambient temperature (operation)	-40 °C ~ 105 °C (depending on derating curve)
Relative humidity (storage/transport)	25%~75%
<b>IEC Electrical parameters</b> □	
Rated surge voltage	8KV
<b>Safety test</b> □	
Anti-finger touch	Passed the test
<b>Mechanical performance test</b> □	
Mechanical strength	Passed the test
Fixing support	Passed the test
Rotational Pull Test	Passed the test
<b>Environmental protection</b> □	
REACH SVHC	Lead 7439-92-1
RoHS	No excessive harmful substances
<b>Electrical performance test</b> □	
Voltage drop	≤3.2mV
Temperature rise test	≤45 K
<b>Dimension</b> □	

Height	29.3mm
NS 35/7,5 Height	36.8mm
End plate width	1.5mm
NS 35/15 Height	44.3mm
length	48.6mm
width	5.2mm

#### Overview

Insulating material group	I
standard test	IEC60947-7-2
Connection type	In line connection
Number of rows	1
number of connections	2
Open-end side panels	Yes
Insulation Materials	PA
Flame retardant grade, in line with UL 94	V0

**Push-in Din-Rail TB, connector method: Push-in connector, Number of connectors: 2, Number of potentials: 1, Cross section: 0.2 mm<sup>2</sup> - 4 mm<sup>2</sup>, AWG: 26 - 12, Width: 5.2 mm, Color: green-yellow, Mounting type: NS35/7.5, NS35/15**