

Fuse Blocks Series

HF-001 to HF-003 Series

<p>HF-001 PCB TYPE FUSE BLOCK FOR 5X20MM FUSE</p>	<p>HF-003 (RoHS) FUSE BLOCK FOR 5X20MM FUSE WITH TRANSPARENT COVER</p>
<p>HF-001/A (RoHS) PCB TYPE FUSE BLOCK FOR 5X20MM FUSE</p>	<p>HF-003/A (RoHS) FUSE BLOCK FOR 5X20MM FUSE</p>
<p>HF-001/B FUSE BLOCK FOR 5X20MM FUSE</p>	<p>HF-003/B (RoHS) FUSE BLOCK FOR 5X20MM FUSE WITHOUT COVER</p>
<p>HF-001/C FUSE BLOCK FOR 5X20MM FUSE</p>	<p>HF-003/BC (RoHS) FUSE BLOCK FOR 5X20MM FUSE WITH COVER</p>
<p>HF-002/A PCB TYPE FUSE BLOCK FOR 6X32MM FUSE</p>	<p>HF-003/C (RoHS) FUSE BLOCK FOR 5X20MM FUSE WITH COVER</p>

単位 Unit:mm

Products Specifications

- Suitable fuse: 5x20 and 6x32- Panel-mounted fuse holders - Inline fuse holders
- Variety of clips - PCB/solder-type fuse holders- Fuse blocks with or without cover
- Tapped-type fuse clip

Fuse Clips Series

HF-004 & HF-005 Series

<p>HF-004 (RoHS) (HF-004/N) FUSE CLIP FOR 5X20MM FUSE</p>	<p>HF-004/J (RoHS) FUSE CLIP FOR 5X20MM FUSE NICKEL PLATED OR TIN PLATED</p>
<p>HF-004/A (RoHS) FUSE CLIP FOR 5X20MM FUSE PHOSPHOR BRONZE, NICKEL PLATED OR TIN PLATED</p>	<p>HF-004/P (RoHS) FUSE CLIP FOR 5X20MM FUSE PHOSPHOR BRONZE, TIN PLATED</p>
<p>HF-004/B (RoHS) FUSE CLIP FOR 5x20MM FUSE</p>	<p>HF-004/PT (RoHS) FUSE CLIP FOR 5X20MM FUSE, TAPED TYPE PHOSPHOR BRONZE, TIN PLATED</p>
<p>HF-004/C (RoHS) FUSE CLIP FOR 5x20MM FUSE</p>	<p>HF-005/N (NICKEL PLATED) HF-005/T (TIN PLATED) (RoHS) FUSE CLIP FOR 6X32MM FUSE</p>
<p>HF-004/D (RoHS) FUSE CLIP FOR 5X20MM FUSE NICKEL PLATED OR TIN PLATED</p>	<p>HF-005/I (RoHS) FUSE CLIP FOR 5X20MM FUSE NICKEL PLATED OR TIN PLATED</p>

Products Specifications

- Suitable fuse: 5x20 and 6x32
- Variety of clips
- Tapped-type fuse clip
- Panel-mounted fuse holders
- PCB/solder-type fuse holders
- In-line fuse holders
- Fuse blocks with or without cover

Inline Fuse Holders Series

HF-011 to HF-014

<p>HF-011 INLINE FUSE HOLDER FOR 5 × 20MM FUSE WITH 180MM WIRE</p>	<p>HF-012 INLINE FUSE HOLDER FOR 6 × 32MM FUSE WITH 180MM WIRE</p>
<p>HF-011/I INLINE FUSE HOLDER FOR 5X20MM & 6X32MM FUSE (UL APPROVED MATERIALS)</p>	<p>HF-013 INLINE FUSE HOLDER FOR 5 × 20MM FUSE WITH 180MM LEAD WIRE</p>
<p>単位 Unit:mm</p>	<p>HF-014 INLINE FUSE HOLDER FOR 6 × 32MM FUSE WITH 180MM LEAD WIRE</p>

Products Specifications

- Suitable fuse: 5x20 and 6x32
- Variety of clips
- Tapped-type fuse clip
- Panel Mount Fuse Holders Series - Fuse Holder P.C. Type
- Panel-mounted fuse holders
- PCB/solder-type fuse holders
- Inline fuse holders
- Fuse blocks with or without cover


HF-006 to HF-009, HF-015 to HF-019, HF-101, HF-102

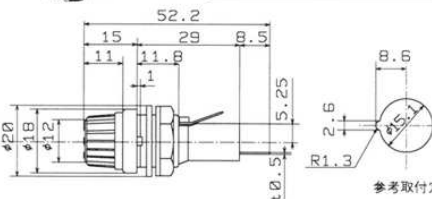
<p>HF-006 PANEL MOUNT FUSE HOLDER FOR 5 × 20MM FUSE</p>	<p>HF-016 FUSE HOLDER FOR 6 × 32MM FUSE</p>
<p>HF-007 PANEL MOUNT FUSE HOLDER FOR 5 × 20MM FUSE</p>	<p>HF-018 FUSE HOLDER FOR 5 × 20MM FUSE</p>
<p>HF-008 PANEL MOUNT FUSE HOLDER FOR 6 × 32MM FUSE</p>	<p>HF-019 FUSE HOLDER FOR 5 × 20MM FUSE</p>
<p>HF-009 PANEL MOUNT FUSE HOLDER FOR 6 × 32MM FUSE</p> <p>MOUNTING HOLE</p>	<p>HF-101 (RoHS) FUSE HOLDER FOR 5X20MM FUSE</p>
<p>HF-015 FUSE HOLDER FOR 5 × 20MM FUSE</p>	<p>HF-102 (RoHS) FUSE HOLDER FOR 5X20MM FUSE</p>

Products Specifications		
- Suitable fuse: 5x20 and 6x32	- PCB/solder-type fuse holders	- Fuse blocks with or without cover
- Variety of clips	- Inline fuse holders	
- Tapped-type fuse clip	- Panel-mounted fuse holders	

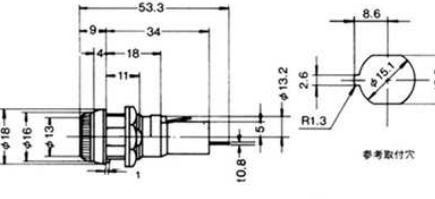
Fuse Holders w/Approvals Series


FH-001AF to FH-S07 Series, FH-B01 to FH-061F Series

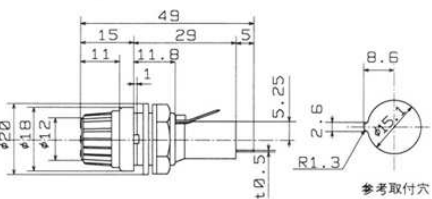
FH-001AF  Rating : 15A
定 格 : 15A
Matching Fuse : $\phi 6.35 \times 31.8$
適合ヒューズ : $\phi 6.4 \times 30$






FH-S04 Rating : 10A
定 格 : 10A
Matching Fuse : $\phi 6.35 \times 31.8$
適合ヒューズ : $\phi 6.4 \times 30$

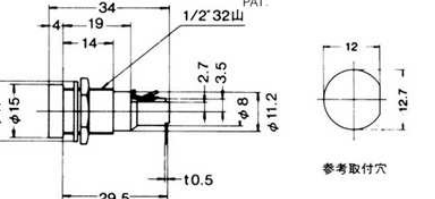



FH-001AFH  Rating : 15A
定 格 : 15A
Matching Fuse : $\phi 6.35 \times 31.8$
適合ヒューズ : $\phi 6.4 \times 30$

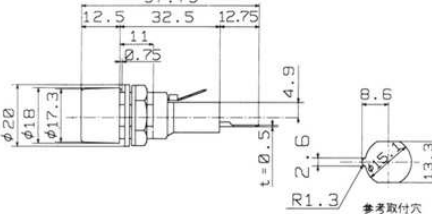




FH-B02    Rating : 10A (6.3A)
定 格 : 10A (6.3A)
(RoHS)
Matching Fuse : $\phi 5.2 \times 20$
適合ヒューズ : $\phi 5.2 \times 20$
UR/CSA/SEMKO/TÜV/VDE Approval

BAYONET TYPE

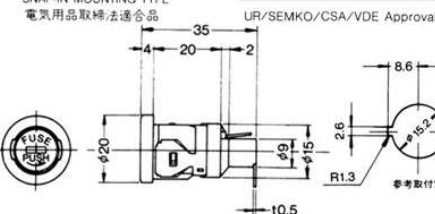



FH-032AF  Rating : 15A
定 格 : 15A
Matching Fuse : $\phi 6.35 \times 31.8$
適合ヒューズ : $\phi 6.4 \times 30$

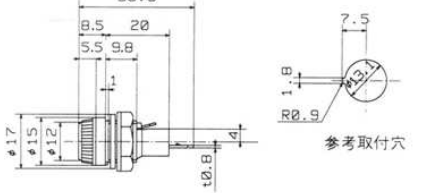




FH-B12   Rating : 10A (6.3A)
定 格 : 10A (6.3A)
Matching Fuse : $\phi 5.2 \times 20$
適合ヒューズ : $\phi 5.2 \times 20$
Thickness of mounting board : 0.8/1.0/1.2
取付板厚 : 1.6/2.0
UR/SEMKO/CSA/VDE Approval

SNAP-IN MOUNTING TYPE
電気用品取締法適合品

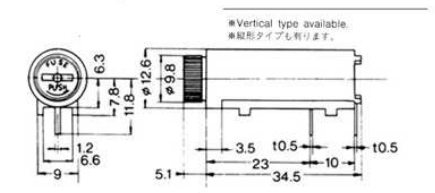




FH-043A  Rating : 10A
定 格 : 10A
Matching Fuse : $\phi 5.2 \times 20$
適合ヒューズ : $\phi 5.2 \times 20$

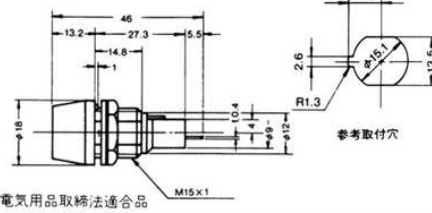


FH-B13HA   Rating : 10A
定 格 : 10A
Matching Fuse : $\phi 5.2 \times 20$
適合ヒューズ : $\phi 5.2 \times 20$
UR/CSA/VDE Approval



※Vertical type available.
※縦型タイプも有ります。



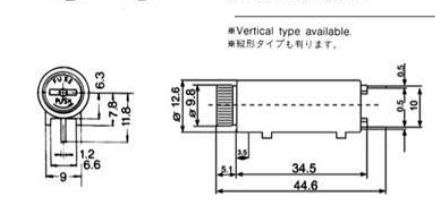
FH-033   Rating : 10A
定 格 : 10A
Matching Fuse : $\phi 5.2 \times 20$
適合ヒューズ : $\phi 5.2 \times 20$
UR/CSA Approval





電気用品取締法適合品 M15x1

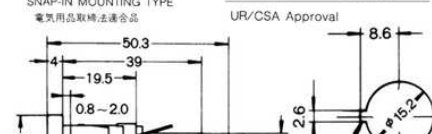
FH-B13VA   Rating : 10A
定 格 : 10A
Matching Fuse : $\phi 5.2 \times 20$
適合ヒューズ : $\phi 5.2 \times 20$
UR/CSA/VDE Approval

※Vertical type available.
※縦型タイプも有ります。



FH-S07   Rating : 10A
定 格 : 10A
Matching Fuse : $\phi 6.35 \times 31.8$
適合ヒューズ : $\phi 6.4 \times 30$
Thickness of mounting board : 0.8/1.0/1.2
取付板厚 : 1.6/2.0
UR/CSA Approval

SNAP-IN MOUNTING TYPE
電気用品取締法適合品



Products Specifications			
- Suitable fuse: 5x20 and 6x32	- PCB/solder-type fuse holders	- Tapped-type fuse clip	- Fuse blocks with or without cover
- Variety of clips	- Inline fuse holders	- Panel-mounted fuse holders	