



CONNECT AND PROTECT

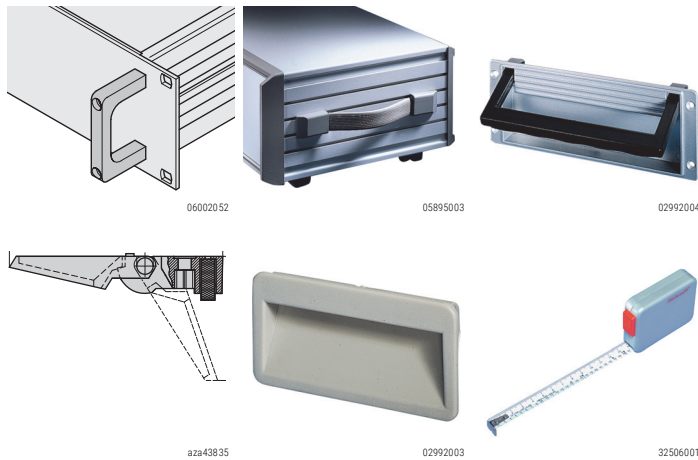
Accessories

nvent

SCHROFF

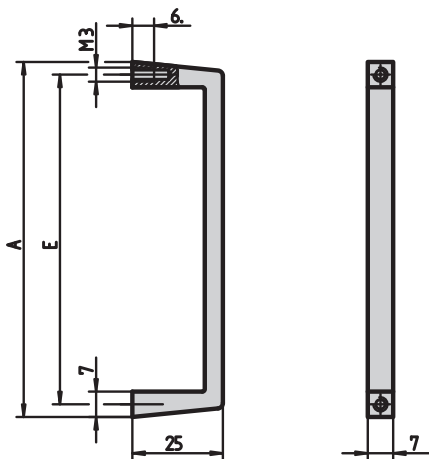
Desk-top cases – Accessories

CONTENTS



- Front handles see page 5.108
- Strap handles see page 5.110
- Tip-up carrying handles, see page 5.111
- Folding handles see page 5.112
- Tray handle see page 5.113
- Feet, see page 5.113
- Screwdriver (Torx) 5.115
- Measuring tape, see page 5.115

FRONT HANDLE, ONE-PIECE, WIDTH 7 MM



BZA42318

- Static load-carrying capacity 10 kg/pair
- Bolted from rear

DELIVERY COMPRISES (kit)

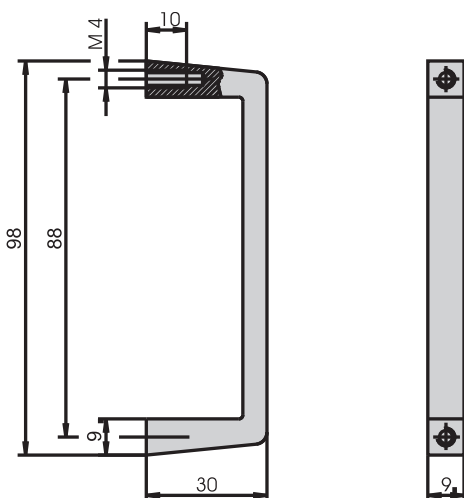
Item	Qty	Description
1	1	Front handle, Al extrusion, anodised

ORDER INFORMATION

A	E	Part no.
mm	mm	
48	40	10501-001
98	90	10501-002

Delivery is exclusively in Standard Pack Quantity (SPQ):
Please order at least 10 pieces or a multiple.
Pricing is per individual item.

FRONT HANDLE, ONE-PIECE, WIDTH 9 MM



BZA42330

- Static load-carrying capacity 30 kg/pair
- Bolted from rear

DELIVERY COMPRISES (kit)

Item	Qty	Description
1	1	Front handle, Al extrusion, anodised

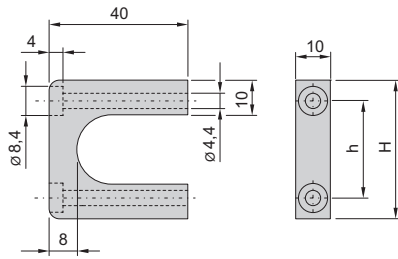
ORDER INFORMATION

Description	Part no.
Front handle	10501-003
Pozidrive countersunk screw 14 x 10, zinc-plated, PU 100 pieces	21101-381

Delivery is exclusively in Standard Pack Quantity (SPQ):
Please order at least 10 front handles or a multiple.
Pricing is per individual item.

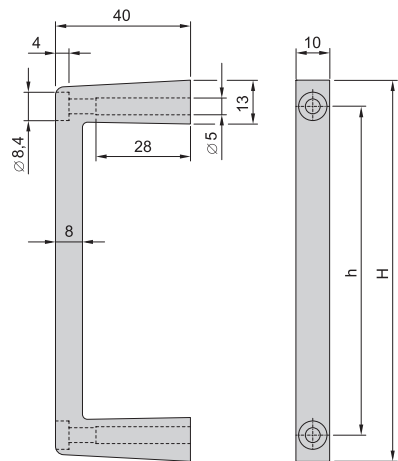
Desk-top cases – Accessories

FRONT HANDLE, ONE-PIECE, WIDTH 10 MM



H = 1 U

02905050



H ≥ 2 U

02905051

- Static load-carrying capacity 30 kg/pair
- Bolted from front

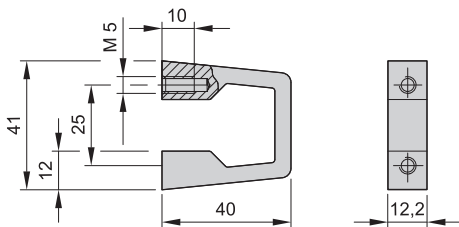
DELIVERY COMPRISES (kit)

Item	Qty	Description
1	2	Front handle, Al extrusion, anodised
2	1	Assembly kit

ORDER INFORMATION

Height H U	Height H mm	Height h mm	Part no.
1	40	28	20860-256
2	69	53	20860-257
3	113	97.5	20860-258
4	157.45	141.9	20860-259
5	201.9	186.4	20860-260

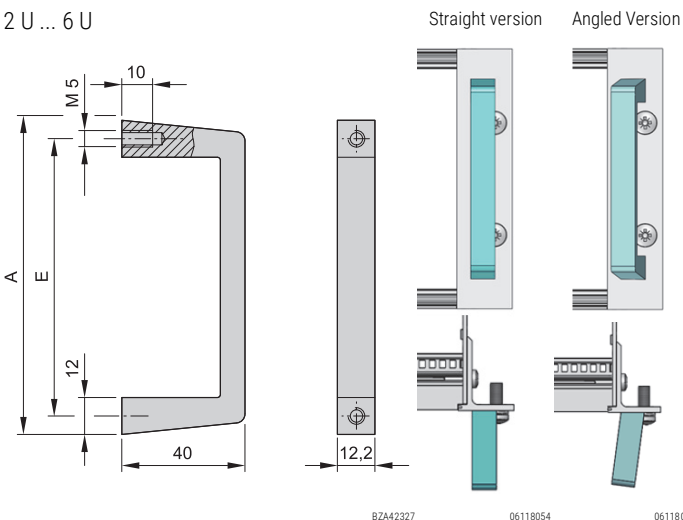
FRONT HANDLE, ONE-PIECE, WIDTH 12.2 MM



1 U

BZA42316

2 U ... 6 U



BZA42327

06118054

06118056

- Static load-carrying capacity 30 kg/pair
- Bolted from rear
- Angled version for easy access to screws

DELIVERY COMPRISES

Item	Qty	Description
1	1	Front handle, Al extrusion, anodised

ORDER INFORMATION

A	E	clear anodised Angled Version Part No.	Straight version Part No.	black anodised Straight version Part No.
41	25	–	10501-116	–
57.5	44.5	–	10501-016	–
69	55	–	10501-004	10501-025
102	88	10501-020	10501-005	10501-026
132	120	–	10501-006	10501-027
146.4	133.4	10501-021	10501-018	–
194	180	–	10501-007	10501-028
249	235	10501-022	10501-008	10501-029

Accessories

Panhead pozidrive screw self-locking, M5 × 12, zinc-plated, PU 100 pieces	21100-788
Torx countersunk screw M5 × 12, zinc-plated, 100 pieces	24560-183

Delivery is exclusively in Standard Pack Quantity (SPQ):
Please order at least 10 front handles or a multiple. Pricing is per individual item.

NOTE

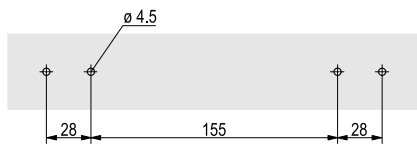
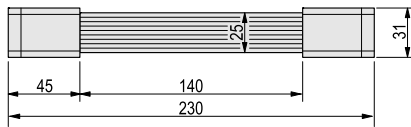
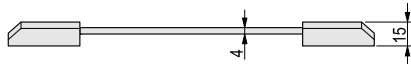
- Please order panhead screws separately

Desk-top cases – Accessories

STRAP HANDLE, WIDTH 25 MM



05895003



02902050

- Static load-carrying capacity 20 kg

DELIVERY COMPRISES (kit)

Item	Qty	Description
1	1	Band, spring steel, handle, flexible plastic, grey, RAL 7016
2	2	Cover, grey, RAL 7016
3	1	Assembly kit

ORDER INFORMATION

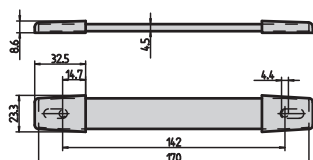
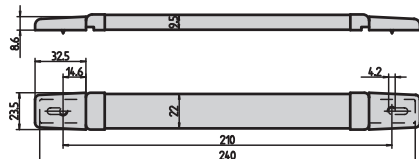
Length mm	Part no.
230	20850-249

STRAP HANDLE, WIDTH 22 MM



02992006

Length 240 mm/170 mm



BZA42368

- Static load-carrying capacity 20 kg

DELIVERY COMPRISES (kit)

Item	Qty	Description
1	1	Band, spring steel, plastic-coated, black
2	2	Cover cap, St, chrome-plated
3	1	Assembly kit

ORDER INFORMATION

Length mm	Part no.
170	10504-002
240	10504-003

Desk-top cases – Accessories

TIP-UP CARRYING HANDLE IN SEPARATE PARTS



02992002

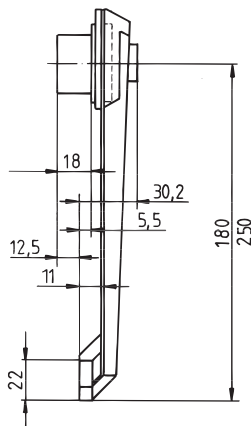
02992001

- Static load-carrying capacity 25 kg (with handle bars of 450 mm length)

LATERAL HANDLE PARTS



02992002



A4-2361

- Handle can be adjusted in 30° grid by pressing button

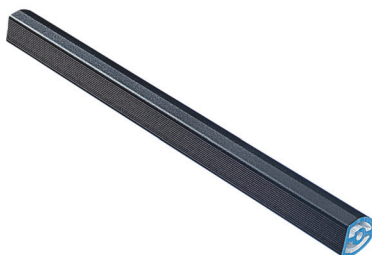
DELIVERY COMPRISES (kit)

Item	Qty	Description
1	2	Lateral parts, die-cast zinc, painted (chrome decor)
2	2	Safety inserts, St, 1.5 mm, black
3	2	Adaptor/locking brackets
4	1	Assembly kit

ORDER INFORMATION

Length mm	Part no.
180	10502-297
250	10502-296

HANDLE BAR



DELIVERY COMPRISES (kit)

Item	Qty	Description
1	1	Handle bar, Al, black anodised

ORDER INFORMATION

Length mm	Part no.
1000	30502-191



02992001

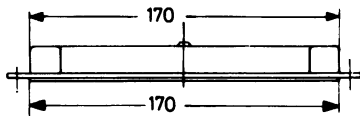
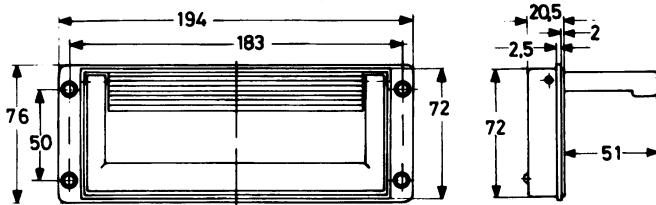
A4-2367

Desk-top cases – Accessories

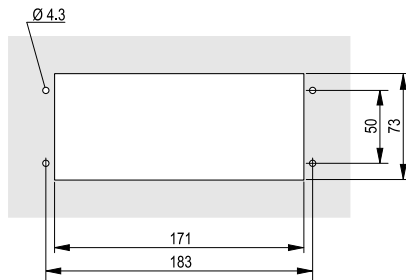
FOLDING METAL HANDLE



02992004



A4-2369



A4-2370

- Static load-carrying capacity 30 kg/pair
- For case ingress protection to IP 40
- Locks in folded and opened positions
- Equal cut-out for fitting in front of or behind case wall

DELIVERY COMPRISES (kit)

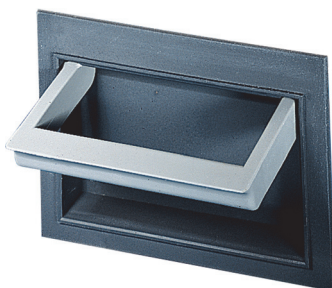
Item	Qty	Description
1	1	Handle, Al die-cast, RAL 9005, black
2	1	Handle shell, Al die-cast, RAL 9006, silver

ORDER INFORMATION

Description	Part no.
Folding metal handle	20505-032

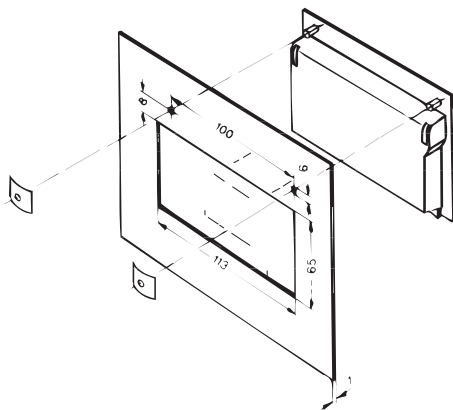
Delivery is exclusively in Standard Pack Quantity (SPQ): Please order at least 10 pieces or a multiple. Pricing is per individual item.

FOLDING PLASTIC HANDLE



02992005

Folding plastic handle



A2-123

- Static load-carrying capacity 20 kg/pair
- For case ingress protection to IP 40
- Locks in folded and opened positions
- External mounting only

DELIVERY COMPRISES (kit)

Item	Qty	Description
1	1	Handle, PA, light grey
2	1	Handle shell, PA, dark grey
3	1	Assembly kit

ORDER INFORMATION

Description	Part no.
Folding plastic handle	10505-014

Delivery is exclusively in Standard Pack Quantity (SPQ): Please order at least 10 pieces or a multiple. Pricing is per individual item.

Desk-top cases – Accessories

TRAY HANDLE



- Static load-carrying capacity 30 kg/pair

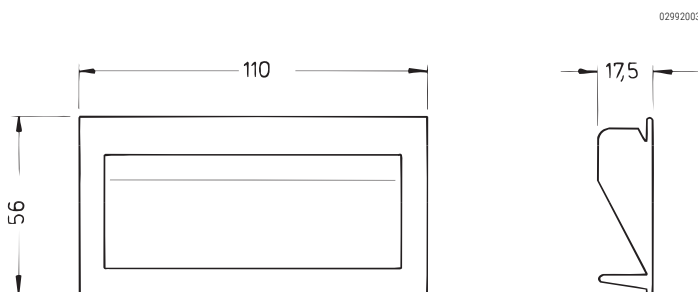
DELIVERY COMPRISES

Item	Qty	Description
1	1	Handle shell, black ABS, UL 94 V-0
2	2 / 3	Spring clip Size 1 / 2

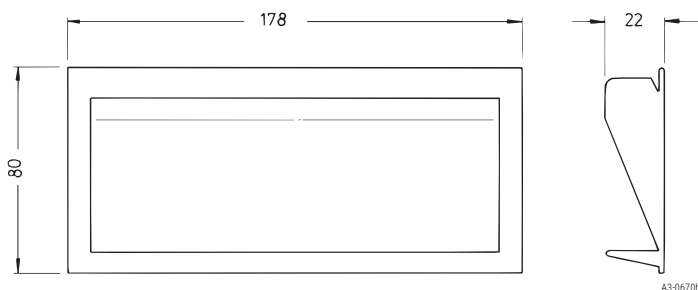
ORDER INFORMATION

Description	Part No.
Size 1 for material thickness 1.5 mm	60229-004
Size 2 for material thickness 1.5 mm	60225-012

Delivery is exclusively in Standard Pack Quantity (SPQ):
Please order a minimum of 10 tray handles or a multiple.
Pricing is per individual item.

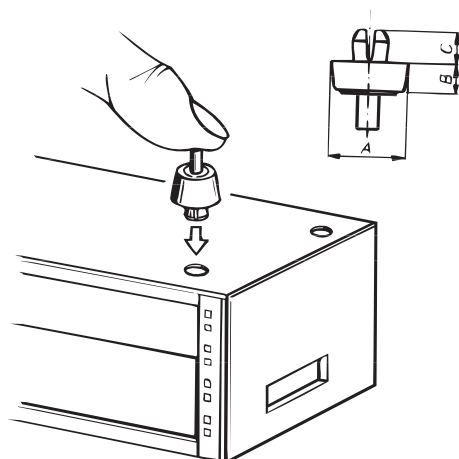


Size 1, case cut-out 49 x 104 mm



Size 2, case cut-out 73 x 171 mm

PLASTIC FOOT



DELIVERY COMPRISES

Pos.	Menge	Beschreibung
1	1	Plastic foot, PC, UL 94 V-0, black

ORDER INFORMATION

Description	Dimensions			Hole diameter	Part no.
	A	B	C		
For material thickness 1 ... 3	16	7.2	4	7	60224-009
For material thickness 1.5 ... 3	21	15	7	7.7	60224-011

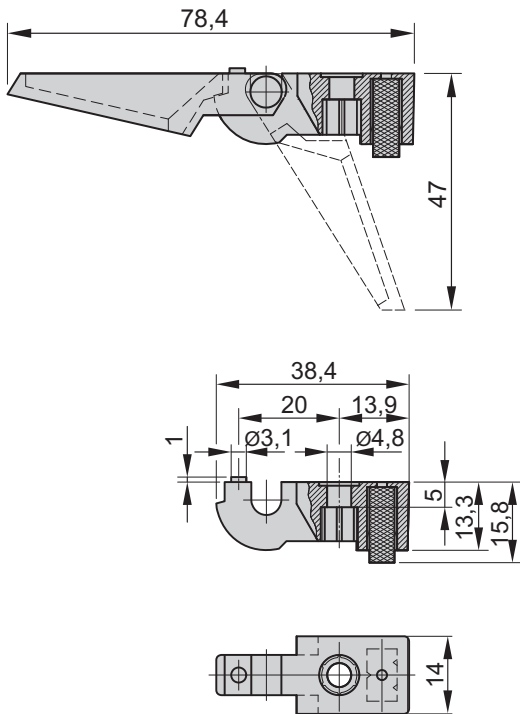
Delivery is exclusively in Standard Pack Quantity (SPQ):
Please order at least 50 pieces or a multiple. Pricing is per individual item.

NOTE

- Foot is inserted into mounting hole and then fixed by pressing in the expanding pin

Desk-top cases – Accessories

PLASTIC TIP-UP FOOT



- Static load-carrying capacity 25 kg per foot
- Can be used instead of standard feet
- Fixing holes provided in bottom of case

ORDER INFORMATION

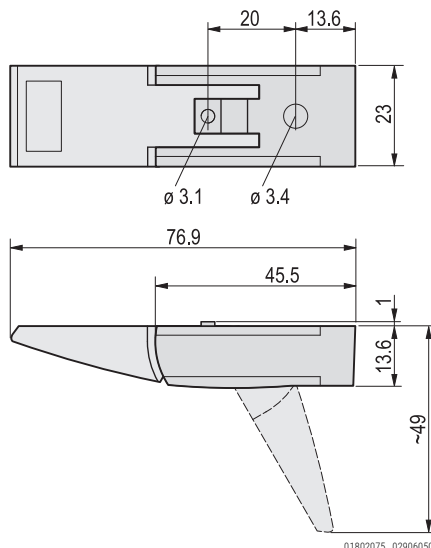
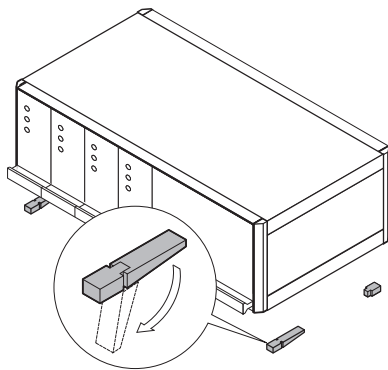
Description	Qty/PU	grey Part no.	black Part no.
Foot with tip-up, PA, UL 94 HB	1	10603-023	10603-025
Foot without tip-up, PA, UL 94 HB	1	10603-024	10603-026
Pozidrive flathead screw M4 x 10, St, zinc-plated, PU 100 pieces			21100-513
Hexagon nut M4, St, zinc-plated, PU 100 pieces			21100-211
Spring washer A4, St, zinc-plated, PU 100 pieces			21100-207

Delivery is exclusively in Standard Pack Quantity (SPQ):
Please order a minimum of 10 feet or a multiple.
Pricing is per individual item.

NOTE

- Please order assembly kit separately.

PLASTIC TIP-UP FEET



- Static load-carrying capacity 25 kg per foot
- Can be used instead of standard feet
- Fixing holes provided in bottom of case

DELIVERY COMPRISES (kit)

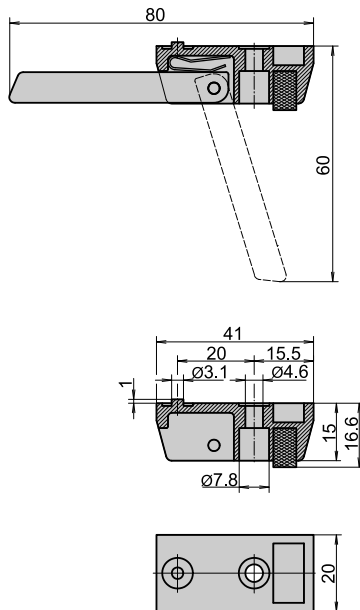
Item	Qty	Description
1	4	Foot, PA, UL 94 V-0
2	4	Anti-slip protection, TPE
3	2	Tip-up device, PA, UL 94 V-0
4	1	Assembly kit

ORDER INFORMATION

Description	RAL 7016 anthra- cite Part no.	RAL 9006 silver Part no.
Plastic tip-up foot	20603-002	20603-001

Desk-top cases – Accessories

AL DIE-CAST TIP-UP FOOT



AZA43836

- Static load-carrying capacity 50 kg per foot
- Can be used instead of standard feet
- Fixing holes provided in bottom of case

ORDER INFORMATION

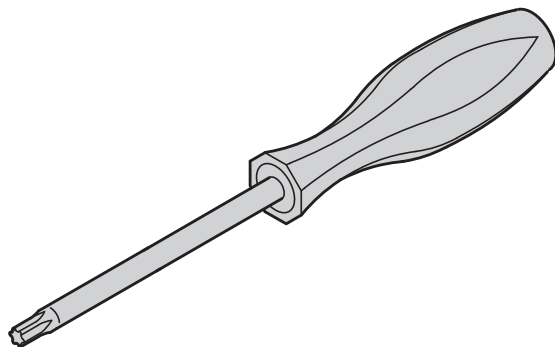
Description	Qty	Part no.
Foot without tip-up, Al die-cast, silver	1 piece (SPQ 10) ¹⁾	10603-001
Foot with tip-up, Al die-cast, silver	1 piece (SPQ 10) ¹⁾	10603-002

Accessories

Cheesehead screw with slot M4 × 12, St, zinc-plated, PU 100 pieces	21101-211
Hexagon nut M4, St, zinc-plated, PU 100 pieces	21100-211
Spring washer A4, St, zinc-plated, PU 100 pieces	21100-207

1) Delivery is exclusively in Standard Pack Quantity (SPQ):
Please order at least 10 pieces or a multiple. Pricing is per individual item.

SCREWDRIVER



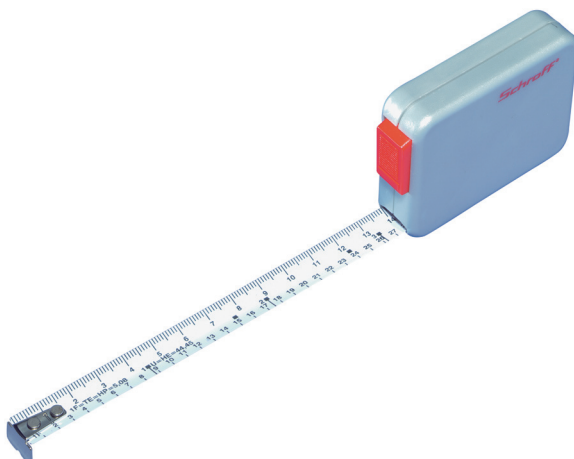
AZA45925

- T8: For mounting guide rails to horizontal rails
- T10: To fix the top cover locking
- T20: For mounting horizontal rails and rear hoods to side panels, cover plates, support brackets and front handles

ORDER INFORMATION

Torx screwdriver	Qty/PU pieces	Part no.
M2.5 T 8 Torx	1	64560-026
M3 T 10 Torx	1	64560-230
M4 T 20 Torx	1	64560-027

MEASURING TAPE



32506001

- Measuring tape with cm, U-, HP-division (length 2 m)
- Plastic cases, metal measuring tape with automatic collection

ORDER INFORMATION

Description	Qty/PU	Part no.
Measuring tape	1	89009-001

North America

Warwick, RI, USA

Tel +1.800.525.4682

San Diego, CA, USA

Tel +1.800.854.7086

Europe, Middle East & India

Straubenhardt, Germany

Tel +49 7082 794 0

Betschdorf, France

Tel +33 3 88 90 64 90

Warsaw, Poland

Tel +48 22 209 98 35

Hemel Hempstead,

Great Britain

Tel +44 1442 24 04 71

Lainate, Italy

Tel +39 02 932 714 1

Dubai, United Arab Emirates

Tel +971 4 37 81 700

Bangalore, India

Tel +91 80 67152000

Istanbul, Turkey

Tel +90 216 250 7374

Asia Pacific

Shanghai, China

Tel +86 21 2412 6943

Singapore

Tel +65 6768 5800

Shin-Yokohama, Japan

Tel +81 45 476 0271

Our powerful portfolio of brands:

CADDY ERICO HOFFMAN RAYCHEM SCHROFF TRACER



[nVent.com/SCHROFF](https://www.nVent.com/SCHROFF)