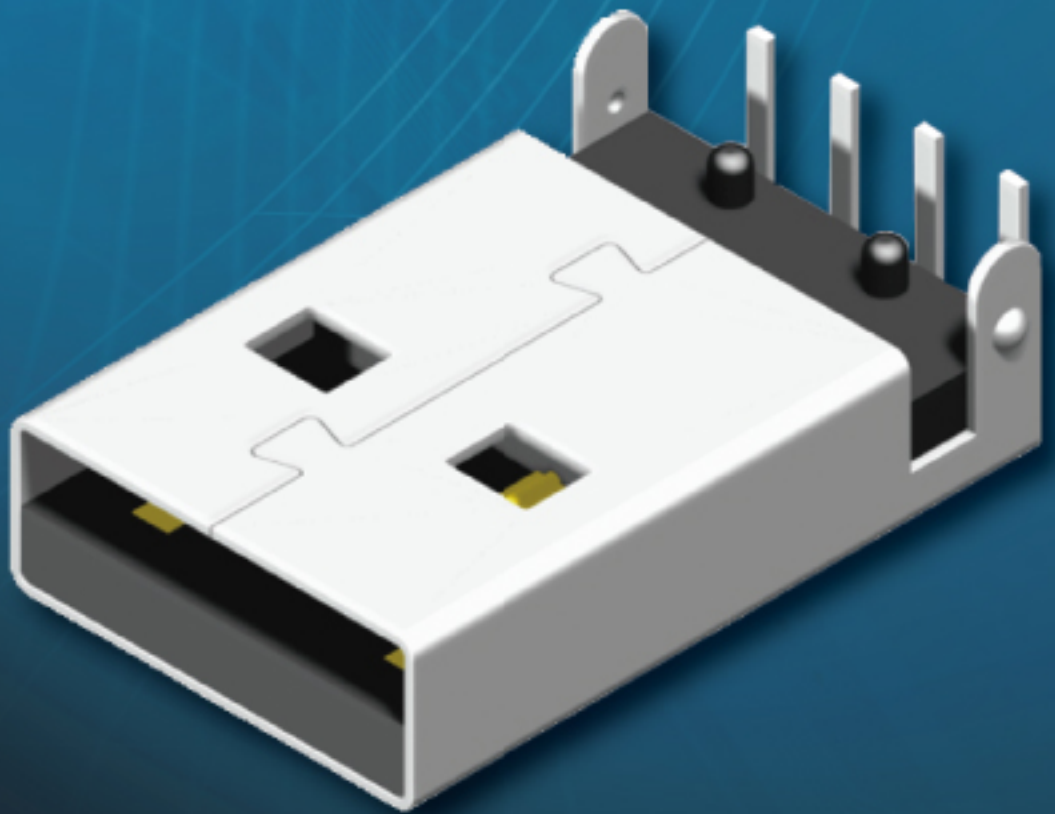


USB Connectors

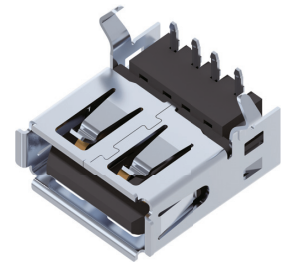
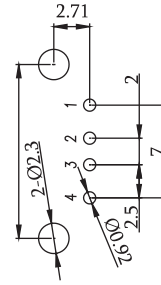
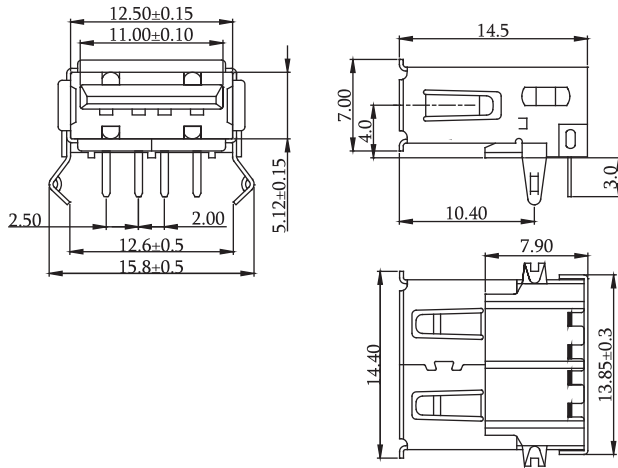
6-8~6-20 • USB



AMTEK Technology Co., Ltd



USB A Type Female Dip Right Angle Type 4P



Recommended PCB Layout
(PCB TOLERANCE ±0.05)

No.	Name	Material	Finish	Qty	Remark
1	Housing	PBT	Black/White	1	UL94V-0
2	Contact	Brass T=0.25	Gold/Tin Plated	4	Contact area: 0.8"30u" min. Gold Plated over 40u" Nickel min. Solder area: 80u" min. Tin Plated over 40u" Nickel min.
3	Shell	Steel T=0.3	Nickel Plated	1	80u" min. Nickel Plated

P/N.: 5US2A01RF-104XXXLAC1

S0: Selective

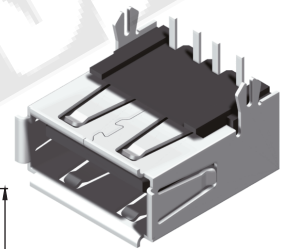
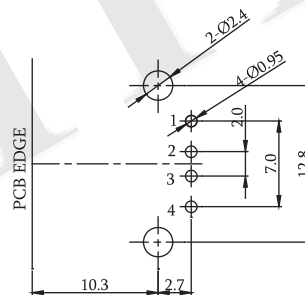
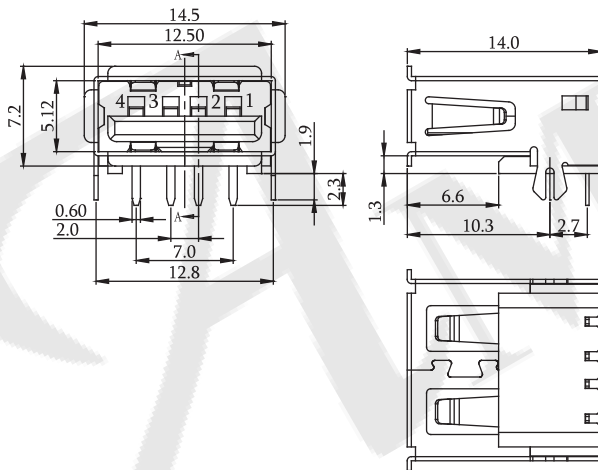
SD: Selective 30u"

W: White

B: Black

Old P/N: USB-001-AX-L

USB A Type Female Dip Right Angle Reverse Type 4P



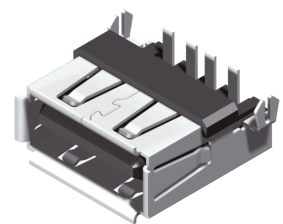
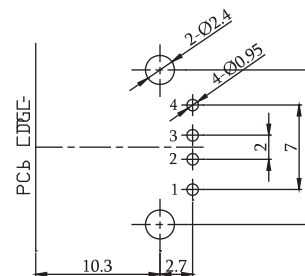
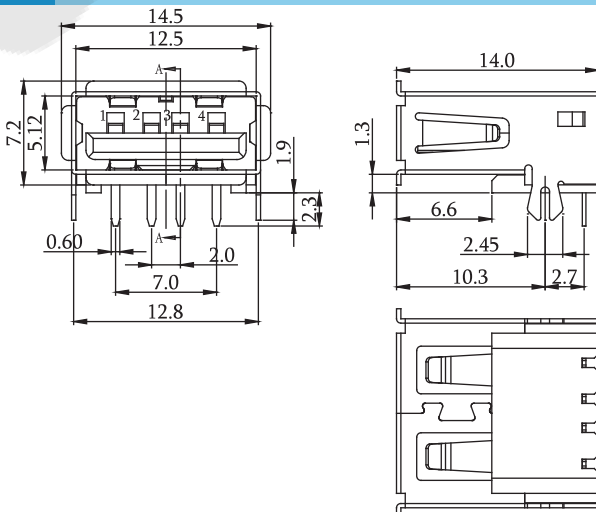
Recommended PCB Layout
(PCB TOLERANCE ±0.05)

No.	Name	Material	Finish	Qty	Remark
1	Housing	PBT G.F.	Black	1	
2	Contact	Phosphor Bronze T:0.25	Gold/Tin Plated	4	Gold:30u"/Gold:1"3u"; Ni:40"60u"; Tin:120u"
3	Shell	Brass T:0.3	Nickel Plated	1	Ni: 80"120u"

P/N.: 5US2A02RF-104S0BLAD1

Old P/N: USB-001RD-AX-L

USB A Type Female Dip Right Angle Reverse Flat Type 4P



Recommended PCB Layout
(PCB TOLERANCE ±0.05)

No.	Name	Material	Finish	Qty	Remark
1	Housing	PBT G.F.	Black	1	
2	Contact	Phosphor Bronze T:0.25	Gold/Tin Plated	5	Gold:30u"; Ni:40"60u"; Tin:120u"

P/N.: 5US2A03RF-104S0XLAD1

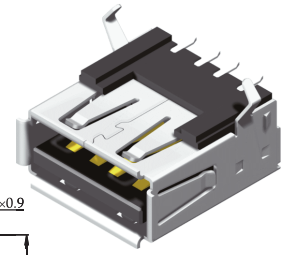
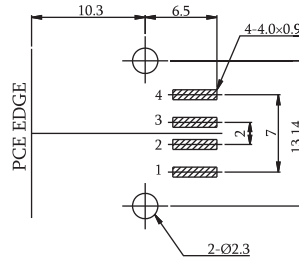
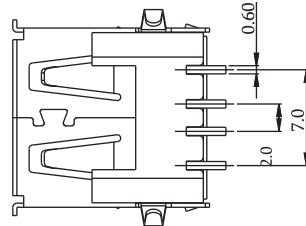
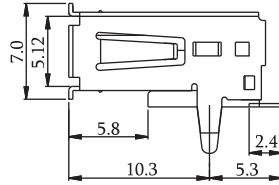
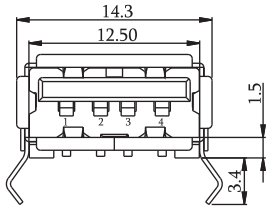
Old P/N: USB-001RD-A1X-L B:Black W:White

USB Conn. Series



ROHS

USB A Type Female SMT R/A Type 4P



No.	Name	Material	Finish	Q'ty	Remark
1	Housing	Nylon PA9T G.F	Black/White	1	
2	Contact	Phosphor Bronze T:0.25	Gold/Tin Plated	4	Gold:1~3u"; Ni:40~60u"; Tin:120u"
3	Shell	Brass T:0.3	Nickel Plated	1	Ni: 80~120u"

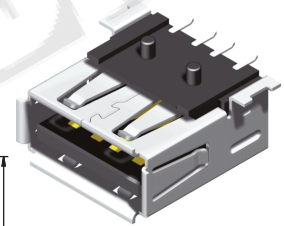
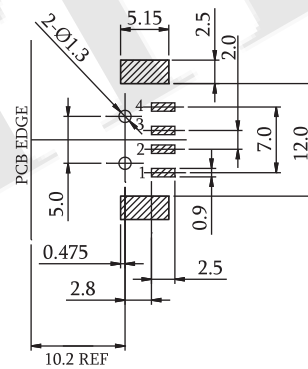
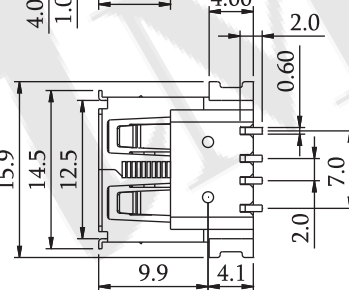
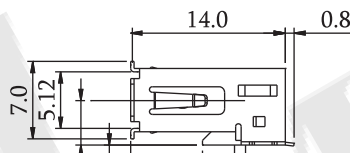
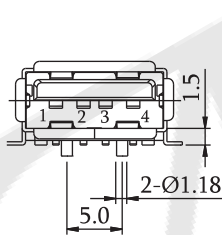
Recommended PCB Layout
(PCB TOLERANCE ±0.05)

P/N.:5US2A07MF-104S0XUXD1

Old P/N:USB-001H-AX-U

B:Black A:Tray
W:White H:Reel

USB A Type Female SMT R/A Type 4P With Peg



No.	Name	Material	Finish	Q'ty	Remark
1	Housing	Nylon PA9T G.F	Black/White	1	
2	Contact	Phosphor Bronze T:0.25	Gold/Tin Plated	4	Gold:1~3u"; Ni:40~60u"; Tin:120u"
3	Shell	Brass T:0.3	Nickel Plated	1	Ni: 50u" Min.

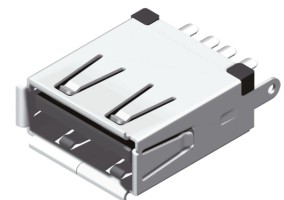
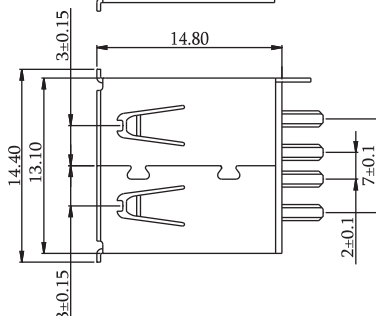
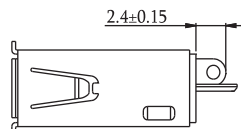
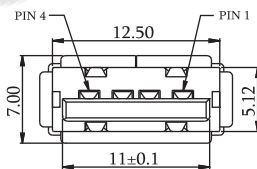
Recommended PCB Layout
(PCB TOLERANCE ±0.05)

P/N.:5US2A08MF-104S0XUXD1

Old P/N:USB-001FA-A1X-U

B:Black W:White A:Tray
H:Reel

USB A Type Female Solder Type 4P



No.	Name	Material	Finish	Q'ty	Remark
1	Housing	PBT	White	1	
2	Contact	Brass T:0.25	Gold/Tin Plated	4	Contact area:0.8~1.2u" Gold Plated over 40u" Nickel min. Solder area:80~120u" Tin Plated over 40u" Nickel min.
3	Shell	Brass T:0.3	Nickel Plated	1	80~120u" Nickel Plated

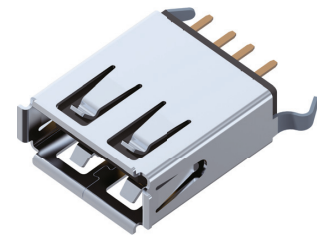
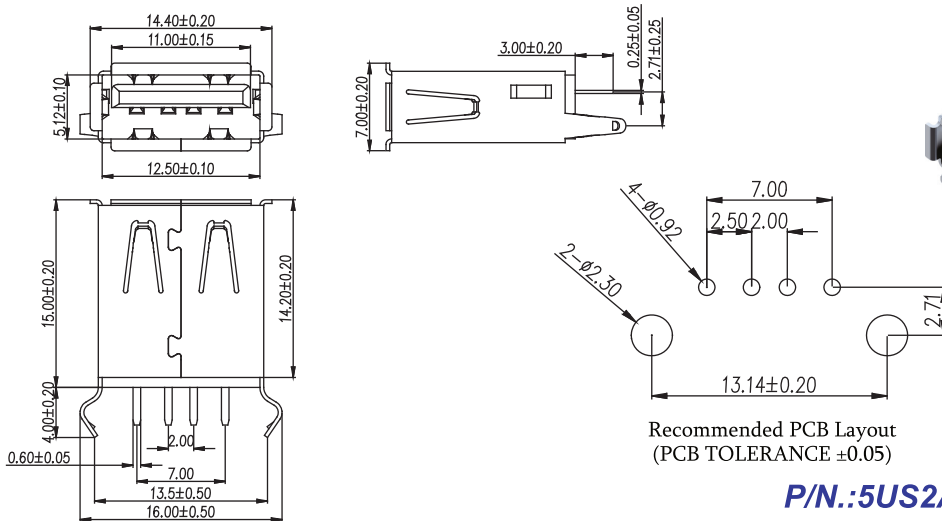
P/N.:5US2A15SF-104S0XLBC1

Old P/N:USB-FS-AX-L

B:Black W:White



USB A Type Female Dip Straight Type 4P



P/N.: 5US2A04DF-104XXXLAC1

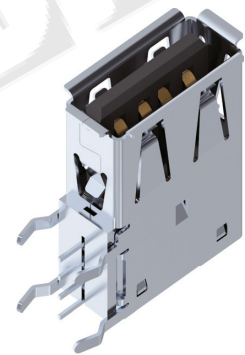
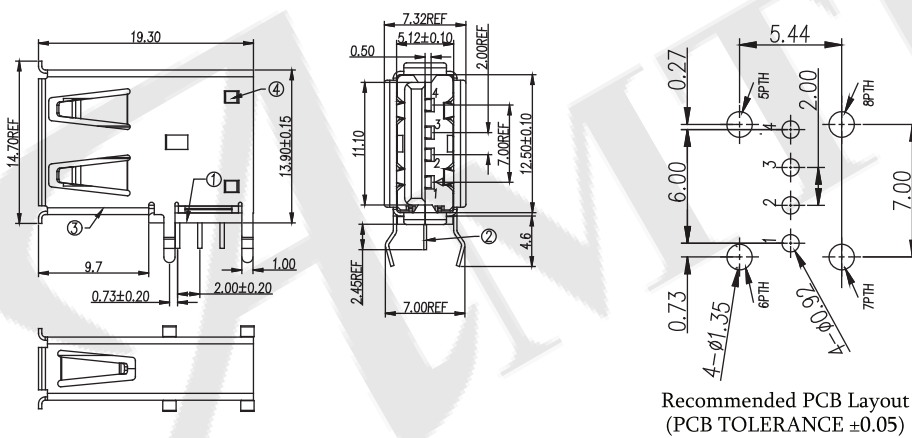
S0: Selective
SD: Selective 30u"

Old P/N: USB-001K-AX-L

B: Black
W: White

No.	Name	Material	Finish	Qty	Remark
1	Housing	PBT	White/Black	1	UL94V-0
2	Housing	Brass T=0.25	Gold/Tin Plated	4	Gold:1"3u"; Ni:40"60u"; Tin:120u"

USB A Type Female Dip Upright Type 4P



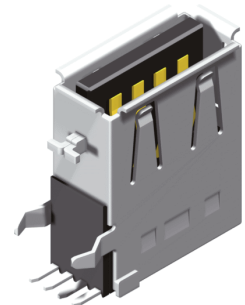
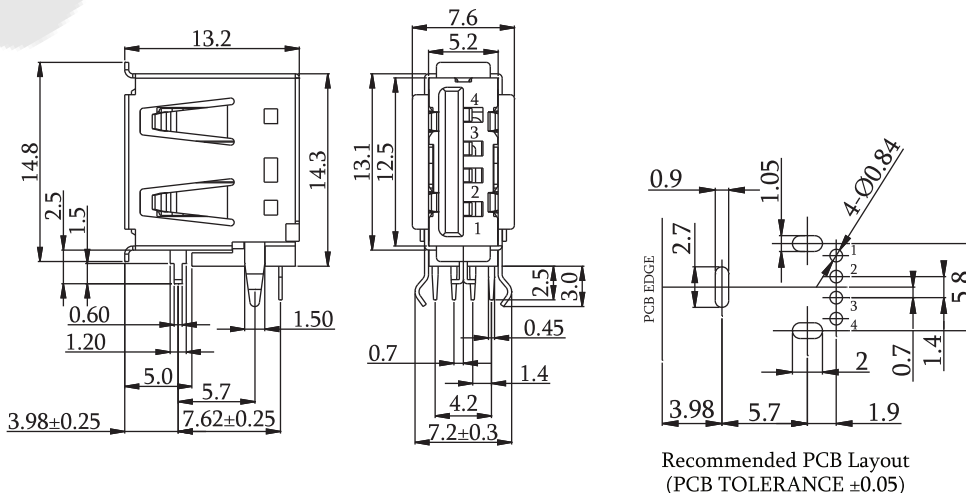
P/N.: 5US2A05RF-104S0XLAC1

Old P/N: USB-001V-AX-L

B: Black W: White

No.	Name	Material	Finish	Qty	Remark
1	Housing	PBT	Black/White	1	
2	Contact	Copper Alloy T=0.25	Gold/Tin Plated	4	Gold:1"3u" or 30u"; Ni:40"60u"; Tin:120u"
3	Shell	KU570 T=0.3	Nickel Plated	1	
4	Rear Shell	Brass T=0.3	Nickel Plated	1	

USB A Type Female Dip Upright Type 4P



P/N.: 5US2A06RF-104S0XUAD1

Old P/N: USB-001VF-AX-U

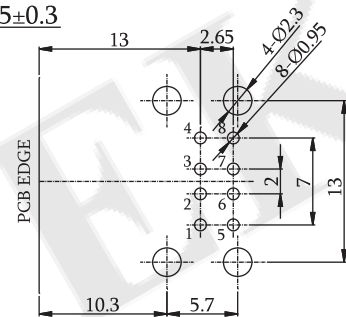
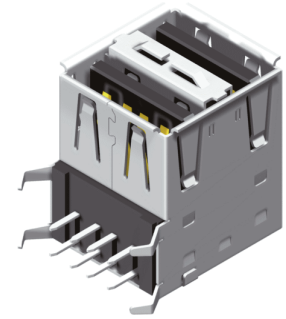
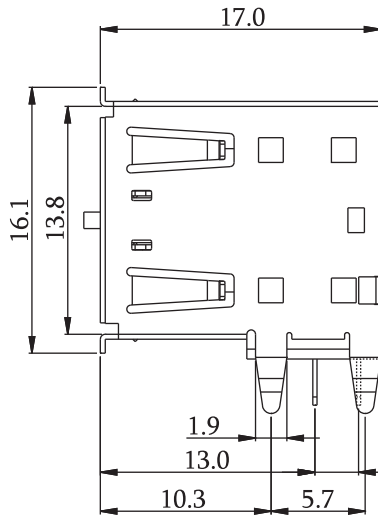
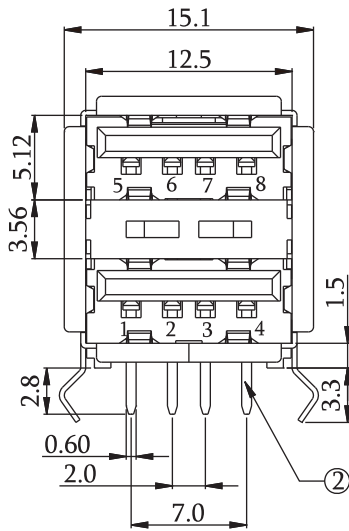
B: Black W: White

No.	Name	Material	Finish	Qty	Remark
1	Housing	Nylon PA9T G.F.	White/Black	1	
2	Contact	Phosphor Bronze T=0.25	Gold/Tin Plated	4	Gold:1"3u"; Ni:40"60u"; Tin:120u"
3	Shell	Brass T=0.3	Nickel Plated	1	Ni: 80"120u"

Micro USB

Pb ROHS

USB A Type Female 2 Ports Dip Right Angle Type 8P

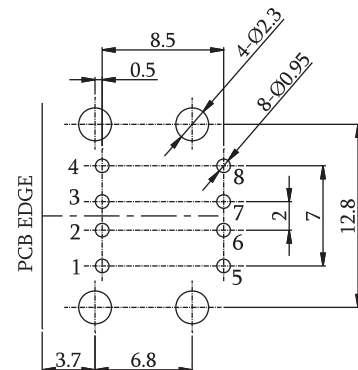
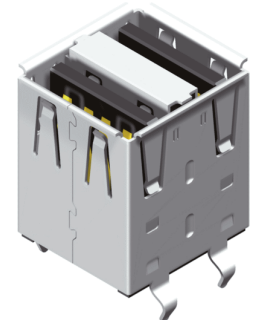
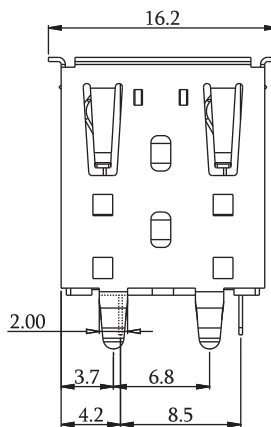
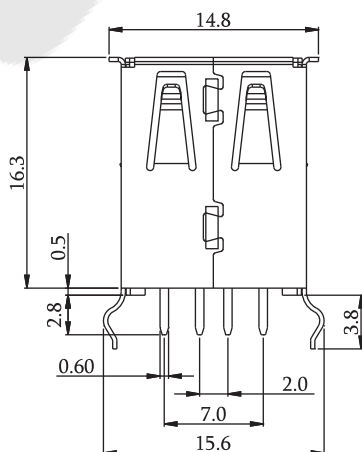
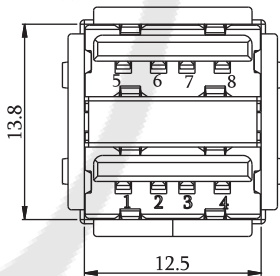


Recommended PCB Layout
(PCB TOLERANCE ±0.05)

P/N.:5US2A18RF-204S0XLAD1
Old P/N:USB-002-AB-L B:Black W:White

No.	Name	Material	Finish	Q'ty	Remark
1	Housing	PBT G.F	Black/White	1	
2	Contact	Phosphor Bronze T:0.25	Gold/Tin Plated	8	Gold:1~3u"; Ni:40~60u"; Tin:120u"
3	Shell	Brass T:0.3	Tin Plated	1	Tin: 120~200u"
4	Spring Clip	Brass T:0.3	Tin Plated	1	Tin: 120~200u"
5	Rear Shell	SPCC T:0.3	Nickel Plated	1	Ni: 50u" Min.

USB A Type Female 2 Ports Dip Straight Type 8P



Recommended PCB Layout
(PCB TOLERANCE ±0.05)

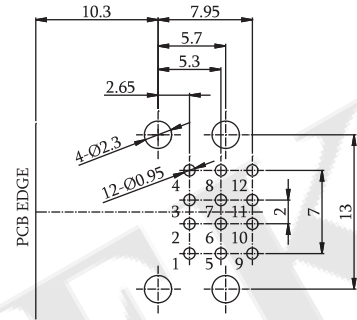
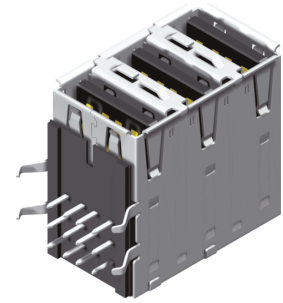
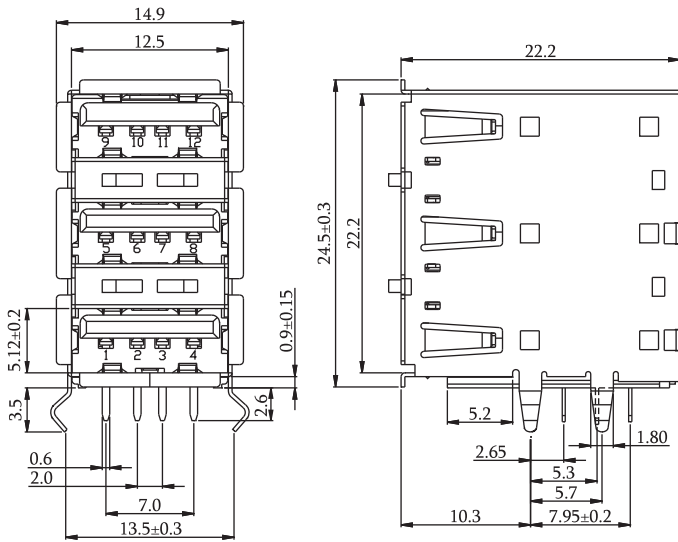
P/N.:5US2A19DF-204S0XLAD1
Old P/N:USB-002K-A1X-L B:Black W:White

No.	Name	Material	Finish	Q'ty	Remark
1	Housing	PBT G.F	Black/White	1	
2	Contact	Phosphor Bronze T:0.25	Gold/Tin Plated	8	Gold:1~3u"; Ni:40~60u"; Tin:120u"
3	Shell	Brass T:0.3	Tin Plated	1	Tin: 80~200u"
4	Spring Clip	Brass T:0.3	Tin Plated	1	Tin: 80~200u"
5	Spacer	P.E.	Natural	2	

CONNECTORS MANUFACTURER



USB A Type Female 3 Ports Dip Right Angle Type 12P



Recommended PCB Layout
(PCB TOLERANCE ±0.05)

P/N.:5US2A20RF-304XXXLAD1

S0:Selective

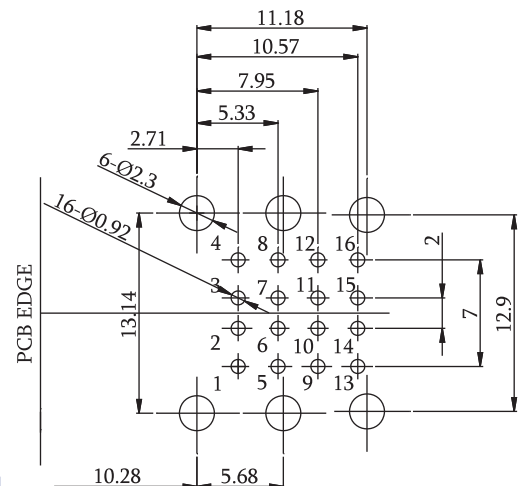
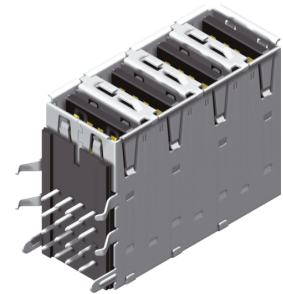
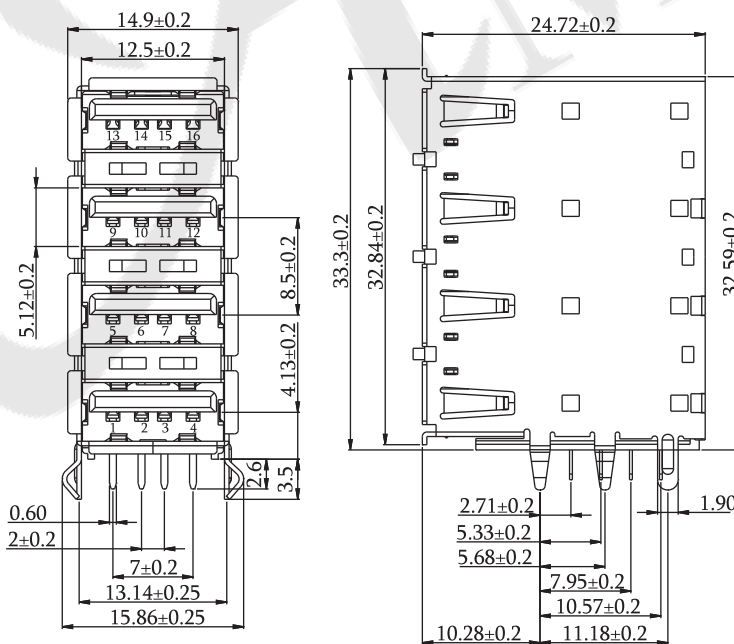
SD:Selective 30u"

Old P/N:USB-003-AX-L

B:Black W:White

No.	Name	Material	Finish	Q'ty	Remark
1	Housing	PBT G.F	Black	1	
2	Contact	Phosphor Bronze T:0.25	Gold/Tin Plated	12	
3	Shell	Brass T:0.3	Tin Plated	1	Tin: 120"200u"
4	Spring Clip	Brass T:0.3	Tin Plated	1	Tin: 120"200u"
5	Rear Shell	SPCC T:0.3	Neckel Plated	1	Ni: 80"120u"
6	Bottom Cover	PBT G.F.	Black	1	

USB A Type Female 4 Ports Dip Right Angle Type 16P



Recommended PCB Layout
(PCB TOLERANCE ±0.05)

P/N.:5US2A21RF-404S0XLAD1

Old P/N:USB-004-AX-L

B:Black W:White

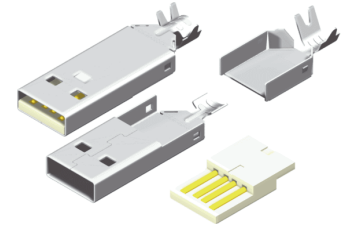
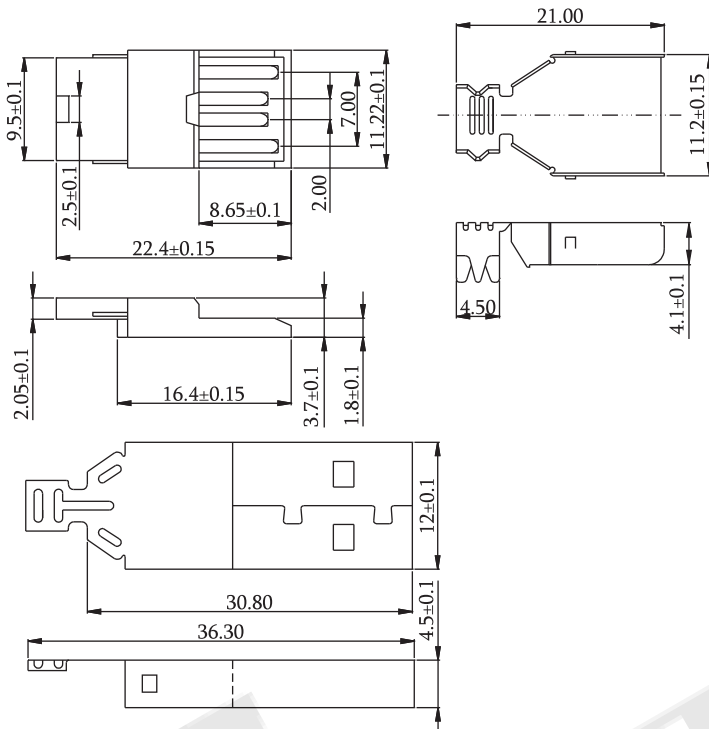
No.	Name	Material	Finish	Q'ty	Remark
1	Housing	PBT G.F	Black	1	
2	Contact	Phosphor Bronze T:0.25	Gold/Tin Plated	16	Gold:1"3u"; Ni:40"60u"; Tin:120u"
3	Shell	Brass T:0.4	Tin Plated	1	Tin: 120"200u"
4	Spring Clip	Brass T:0.3	Tin Plated	3	Tin: 120"200u"
5	Rear Shell	SPCC T:0.3	Neckel Plated	1	Ni: 80"120u"
6	Bottom Cover	PBT G.F.	Black	1	

USB Conn. Series



RoHS

USB A Type Male Solder Type 4P



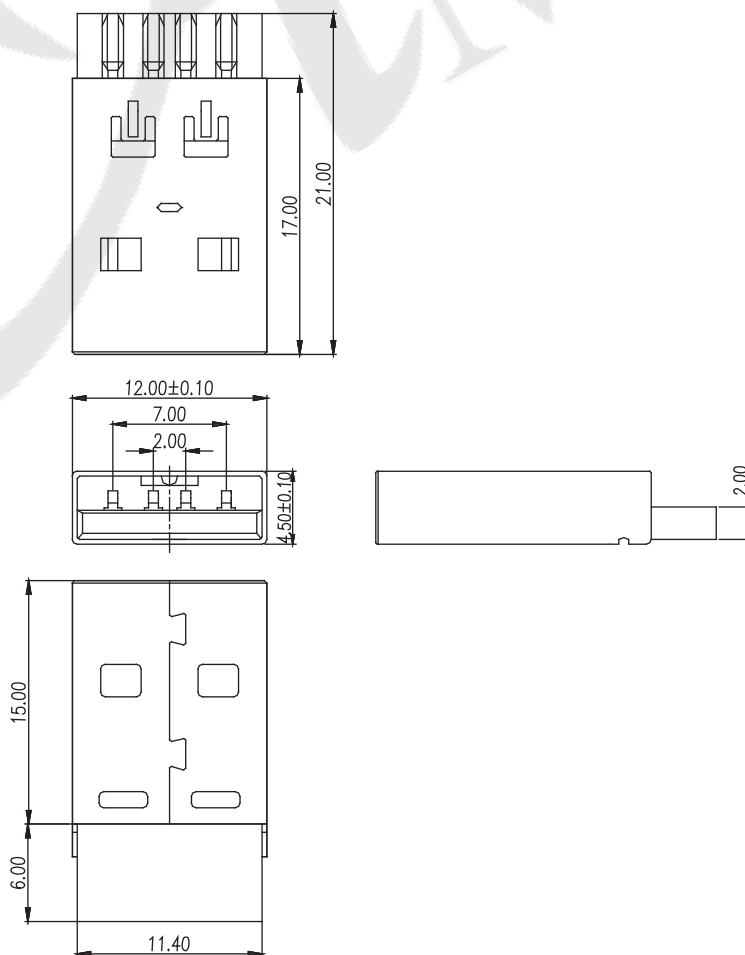
No.	Name	Material	Finish	Q'ty	Remark
1	Housing	PBT	Black/White	2	UL94V-0
2	Contact	Brass T:0.20	Gold/Tin Plated	4	
3	Front Shell	Cold Rollrd Steel T:0.35	Nickel Plated	1	
4	Rear Shell	Cold Rollrd Steel T:0.35	Nickel Plated	1	

P/N.:5US2A17SM-104S0XLBC1

Old P/N:USB-MSL-AX-L

B:Black W:White

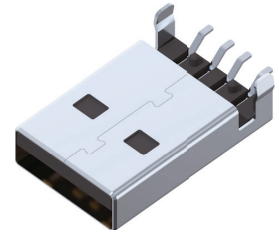
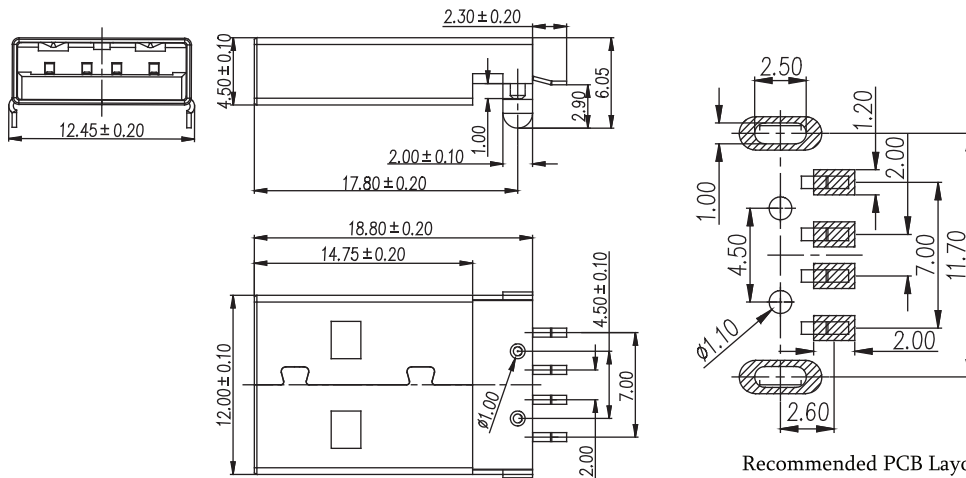
USB A Type Male Solder Type 4P



P/N.:5US2A18SM-104S0XLXC1



USB A Type Male SMT R/A Type 4P



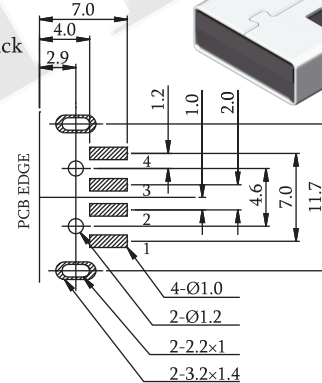
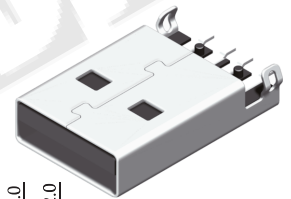
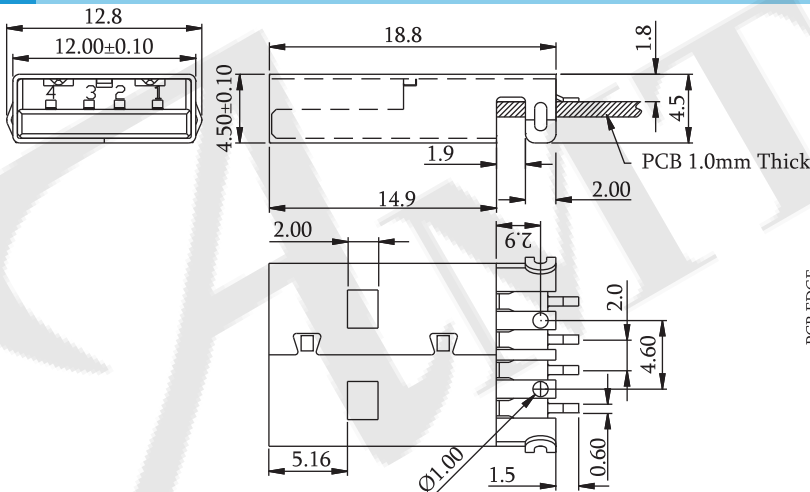
Recommended PCB Layout
(PCB TOLERANCE ±0.05)

No.	Name	Material	Finish	Q'ty	Remark
1	Housing	LCP	Black/White	1	UL94V-0
2	Contact	Brass T=0.25	Gold/Tin Plated	4	Contact area: 0.8u" min. Gold Plated over 40u" Nickel min. Solder area: 80u" min. Tin Plated over 40u" Nickel min.
3	Shell	Cold Rolled Steel T=0.3	Nickel Plated	1	Cu:40u"min. 80u"min. Nickel Plated

P/N.:5US2A12MM-104S0XUXC1

Old P/N:USB-001MS-AX-U B:Black W:White

USB A Type Male SMT R/A Sink Type 4P



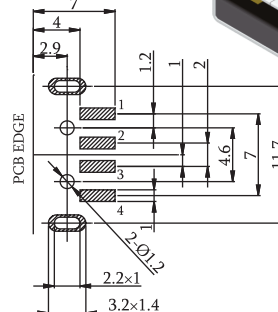
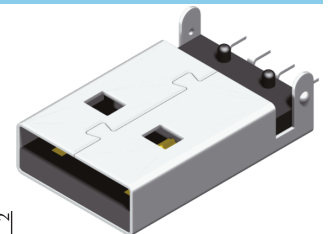
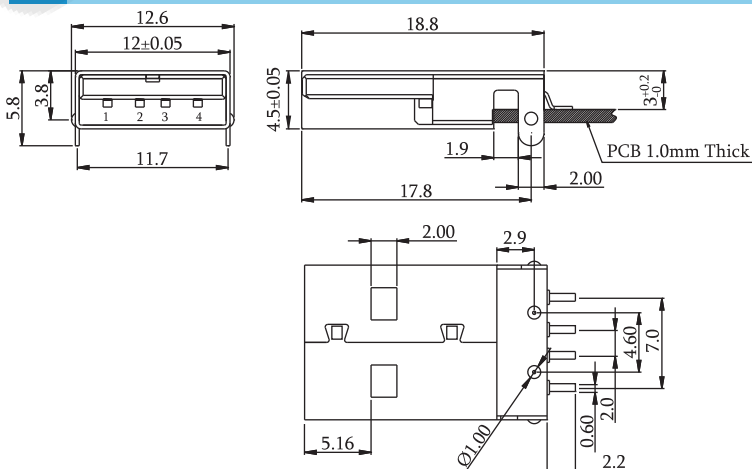
Recommended PCB Layout
(PCB TOLERANCE ±0.05)

No.	Name	Material	Finish	Q'ty	Remark
1	Housing	Nylon PA9T G.F	Black/White	1	
2	Contact	Brass E-H T=0.25	Gold/Tin Plated	4	Gold:1"3u"; Ni:40"60u"; Tin:120u" (100% pure Tin of lead free plating)
3	Shell	Brass T=0.3	Nickel Plated	1	Ni: 80"120u"

P/N.:5US2A13MM-104S0XUAD1

Old P/N:USB-001MSK1-A1X-U B:Black W:White

USB A Type Male SMT R/A Reverse Type 4P



Recommended PCB Layout
(PCB TOLERANCE ±0.05)

No.	Name	Material	Finish	Q'ty	Remark
1	Housing	Nylon PA9T G.F	Black/White	1	
2	Contact	Brass E-H T=0.25	Gold/Tin Plated	4	Gold:1"3u"; Ni:40"60u"; Tin:120u"
3	Shell	SPCC T:0.3	Nickel Plated	1	Ni: 80"120u"

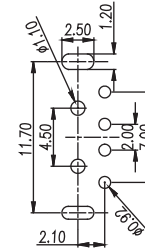
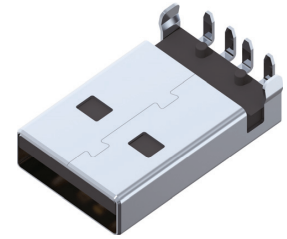
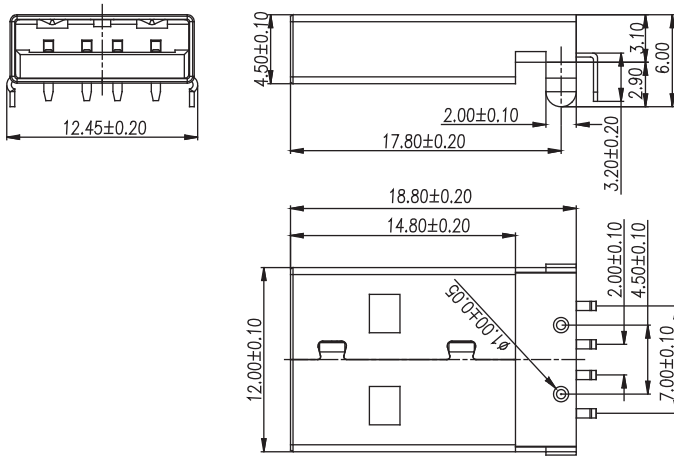
P/N.:5US2A16MM-104S0XUAD1

Old P/N:USB-001MRS-AXS-U B:Black W:White

U SB Conn. Series



USB A Type Male Dip Right Angle Type 4P



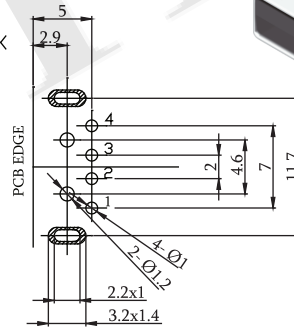
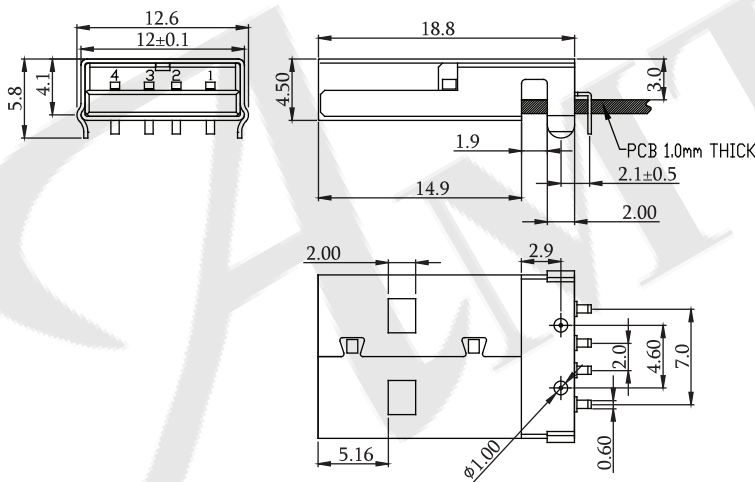
Recommended PCB Layout
(PCB TOLERANCE ±0.05)

No.	Name	Material	Finish	Q'ty	Remark
1	Housing	PBT	Black/White	1	
2	Contact	Brass T=0.25	Gold/Tin Plated	4	Gold:1"3u"; Ni:40"60u"; Tin:120u"
3	Shell	Cold Roll Steel T=0.3	Nickel Plated	1	

P/N.:5US2A09RM-104S0XLAC1

Old P/N:USB-001MD-AX-U B:Black W:White

USB A Type Male Dip Right Angle Type 4P



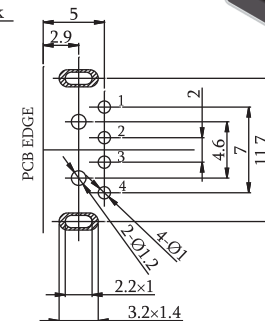
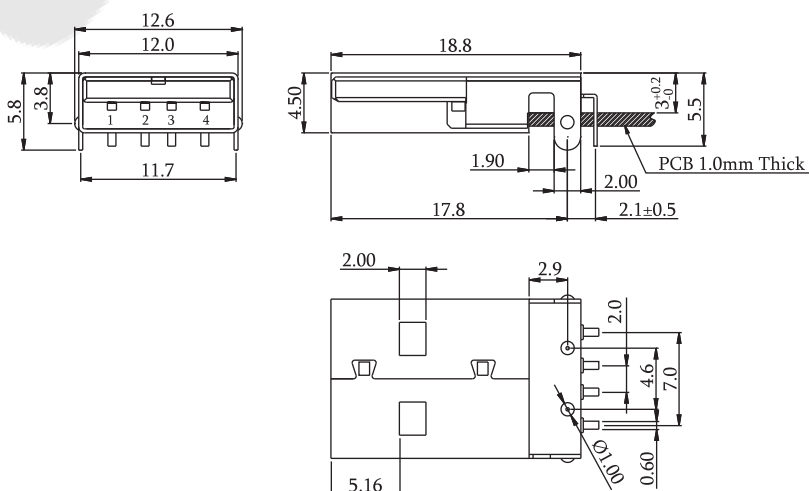
Recommended PCB Layout
(PCB TOLERANCE ±0.05)

No.	Name	Material	Finish	Q'ty	Remark
1	Housing	Nylon PA9T G.F	Black	1	
2	Contact	Phosphor Bronze T:0.25	Gold/Tin Plated	4	Gold:30u"; Ni:40"60u"; Tin:120u"

P/N.:5US2A10RM-104S0XUAD1

Old P/N:USB-001MDK-AX-U B:Black W:White

USB A Type Male Dip Right Angle Reverse Type 4P



Recommended PCB Layout
(PCB TOLERANCE ±0.05)

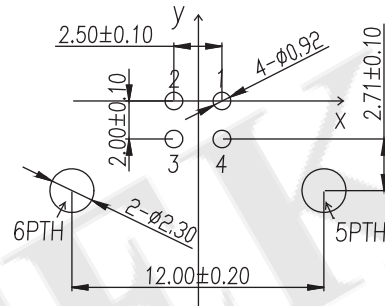
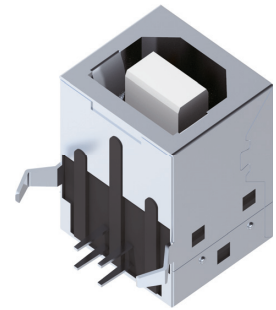
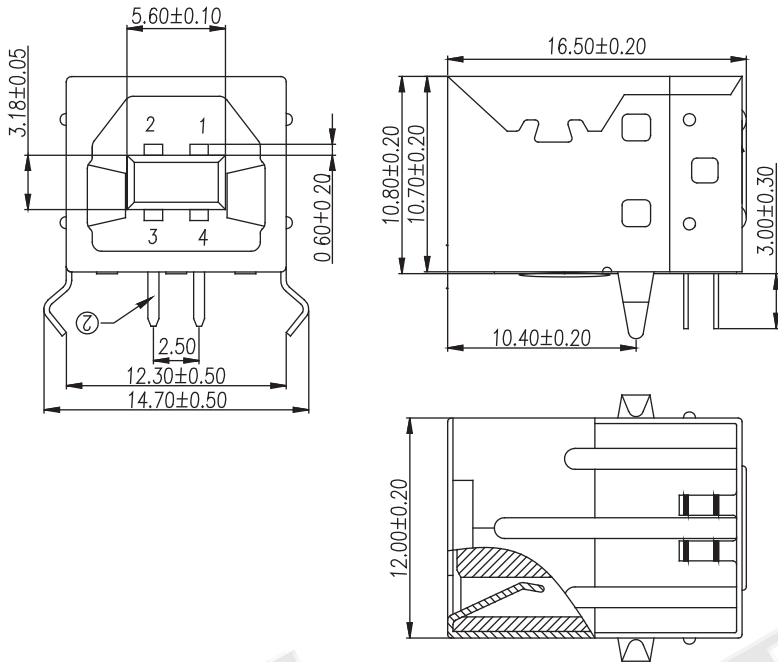
No.	Name	Material	Finish	Q'ty	Remark
1	Housing	Nylon PA9T G.F	Black	1	
2	Contact	Phosphor Bronze T:0.25	Gold/Tin Plated	4	Gold:1"3u"; Ni:40"60u"; Tin:120u"
3	Shell	SPCC T:0.3	Nickel Plated	1	Ni:80"120u"

P/N.:5US2A11RM-104S0BUAD2

Old P/N:USB-001MRD-AXS-U



USB B Type Female Dip Right Angle Type 4P



Recommended PCB Layout
(PCB TOLERANCE ±0.05)

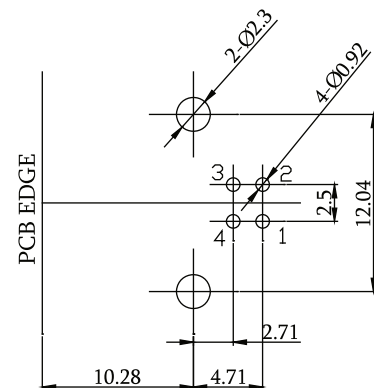
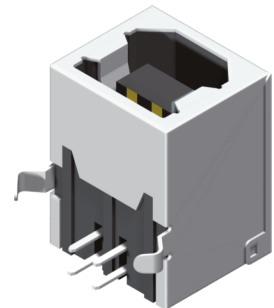
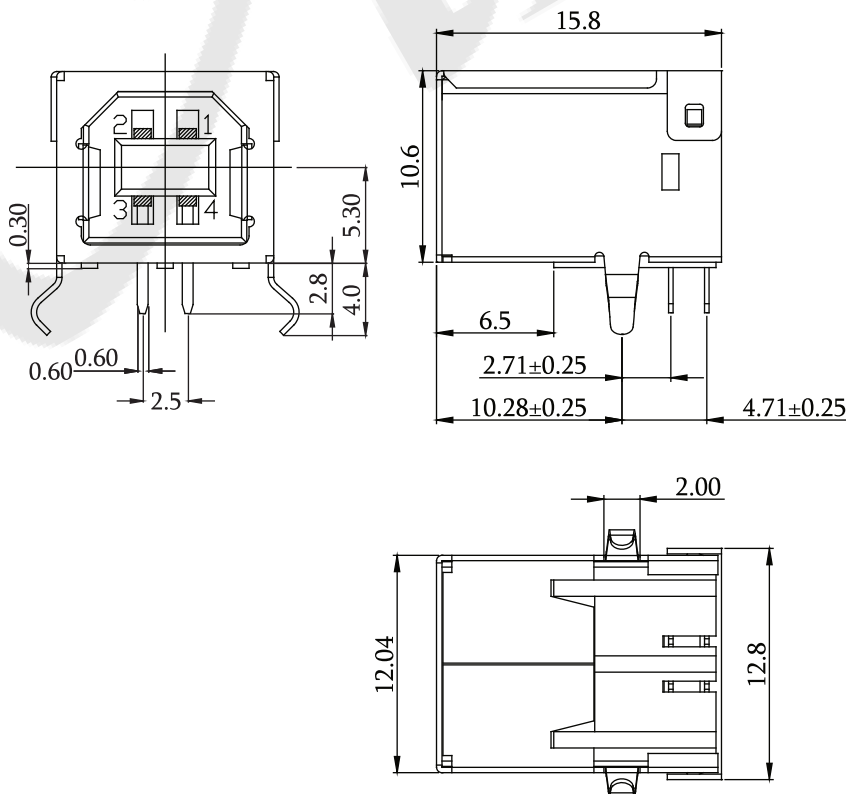
No.	Name	Material	Finish	Qty	Remark
1	Housing	PBT	Black/White	1	UL94V-0
2	Contact	Brass T=0.25	Gold/Tin Plated	4	
3	Shell	Steel T=0.3	Nickel Plated	1	Gold:1"3u" or 30u"; Ni:40"60u"; Tin:120u"
4	Rear Shell	Steel T=0.3	Nickel Plated	1	

P/N.:5US2B01RF-104XXXLAC1

S0:Selective
SD:Selective 30u"

Old P/N:USB-001-BX-L B:Black W:White

USB B Type Female Dip Right Angle Type 4P W/O Back Shell



Recommended PCB Layout
(PCB TOLERANCE ±0.05)

No.	Name	Material	Finish	Qty	Remark
1	Housing	PBT G.F.	Black/White	1	
2	Contact	Phosphor Bronze T:0.25	Gold/Tin Plated	4	Gold:1"3u"; Ni:40"60u"; Tin:120u"
3	Shell	Brass T:0.3	Nickel Plated	1	Ni: 80"120u"

P/N.:5US2B02RF-104S0XLAD1

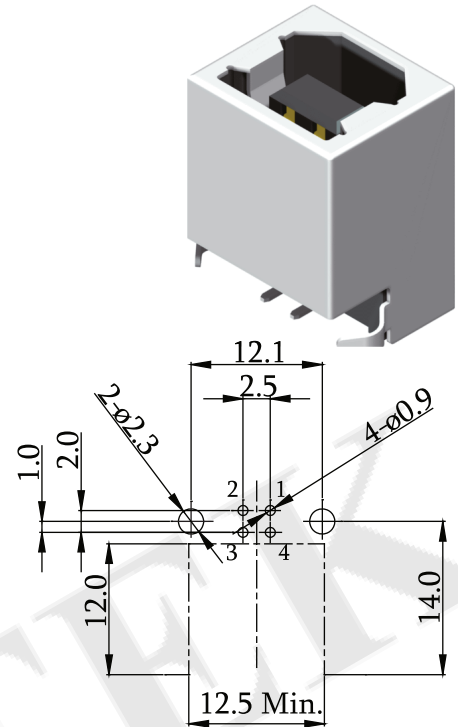
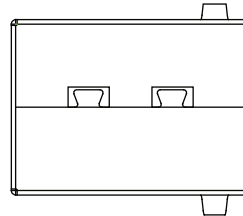
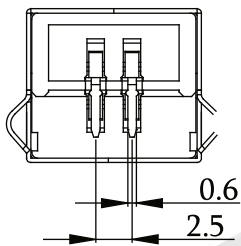
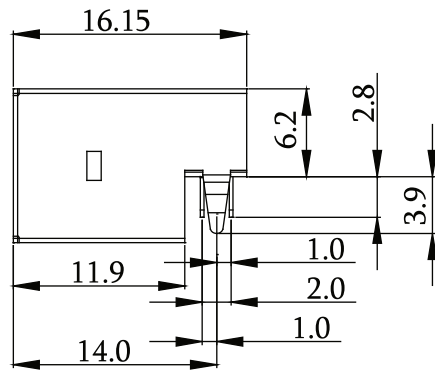
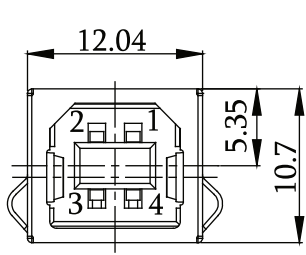
Old P/N:USB-001F-BX-L B:Black W:White

USB Conn. Series



ROHS

USB B Type Female Dip Right Angle Sink Type 4P



Recommended PCB Layout
(PCB TOLERANCE ±0.05)

P/N.:5US2B03RF-104XXXLAD1

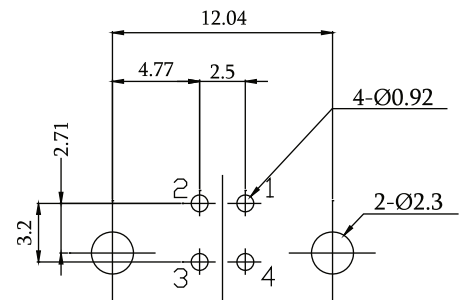
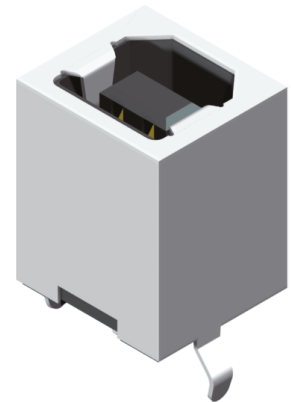
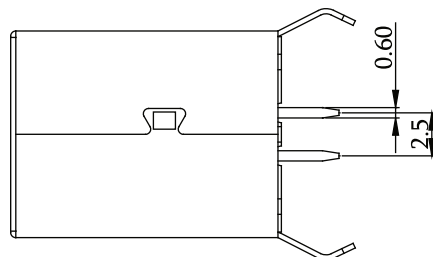
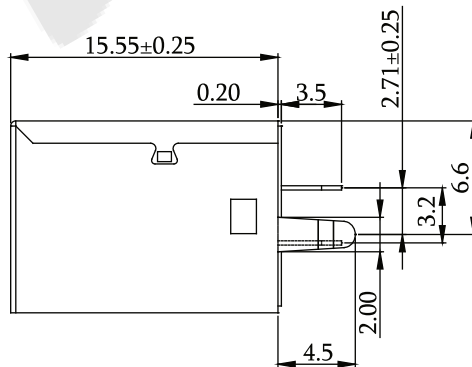
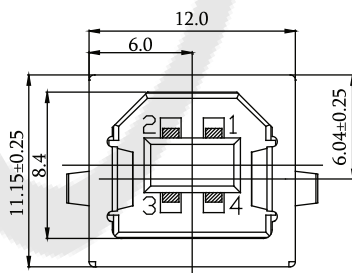
S0:Selective

SD:Selective 30u"

Old P/N:USB-001D-BX-L B:Black W:White

No.	Name	Material	Finish	Q'ty	Remark
1	Housing	PBT G.F.	White	1	
2	Contact	Phosphor Bronze T:0.25	Gold/Tin Plated	4	Gold:30u"/Gold:1"3u"; Ni:40"60u"; Tin:120u"

USB B Type Female Dip Straight Type 4P



Recommended PCB Layout
(PCB TOLERANCE ±0.05)

P/N.:5US2B04DF-104S0XLAD1

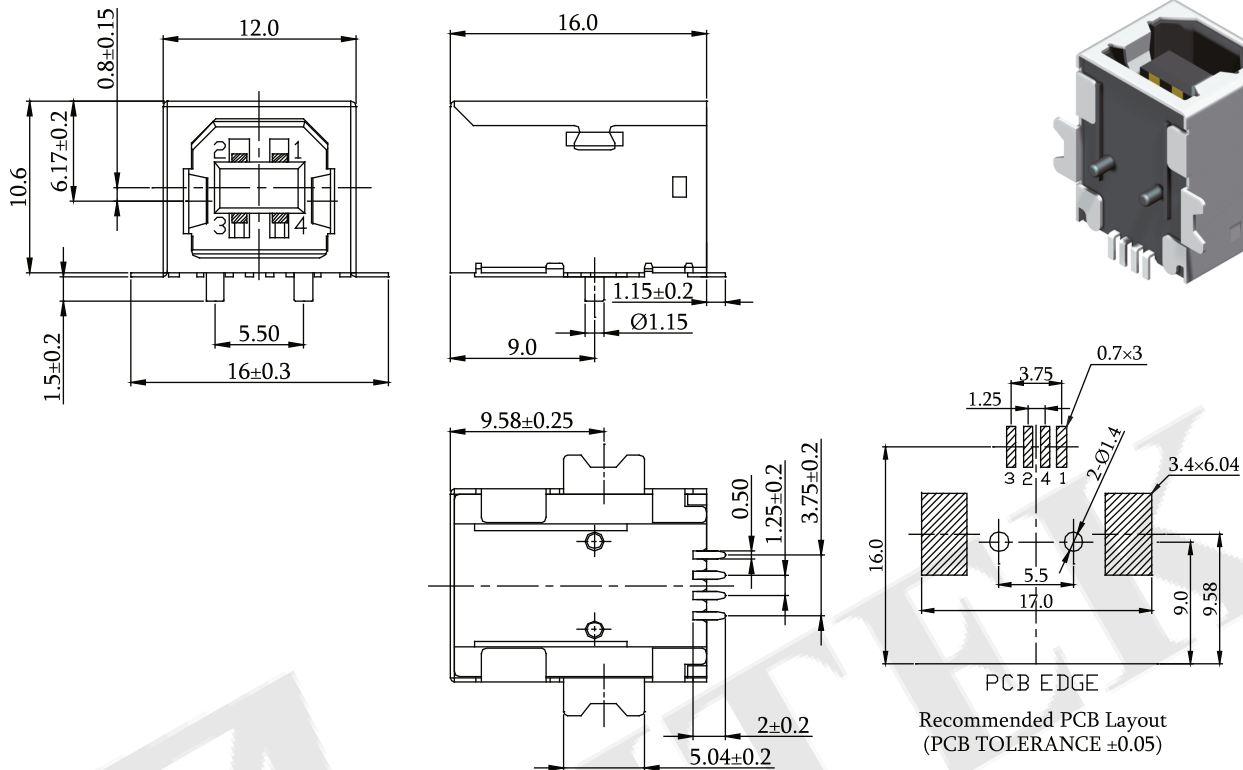
Old P/N:USB-001K-BX-L

B:Black W:White

No.	Name	Material	Finish	Q'ty	Remark
1	Housing	PBT	Black/White	1	
2	Contact	Phosphor Bronze T:0.25	Gold/Tin Plated	4	Gold:1"3u"; Ni:40"60u"; Tin:120u"
3	Shell	Brass T:0.3	Nickel Plated	1	Ni:80"120u"
4	Bottom Cover	PBT	Black/White	1	



USB B Type Female SMT R/A Type 4P



No.	Name	Material	Finish	Q'ty	Remark
1	Housing	Nylon PA9T G.F.	Black/White	1	UL94V-0
2	Contact	Phosphor Bronze T:0.25	Gold/Tin Plated	4	Gold:1~3u"; Ni:40~60u"; Tin:120u"
3	Shell	Brass T:0.3	Nickel Plated	1	Ni: 50u" Min.

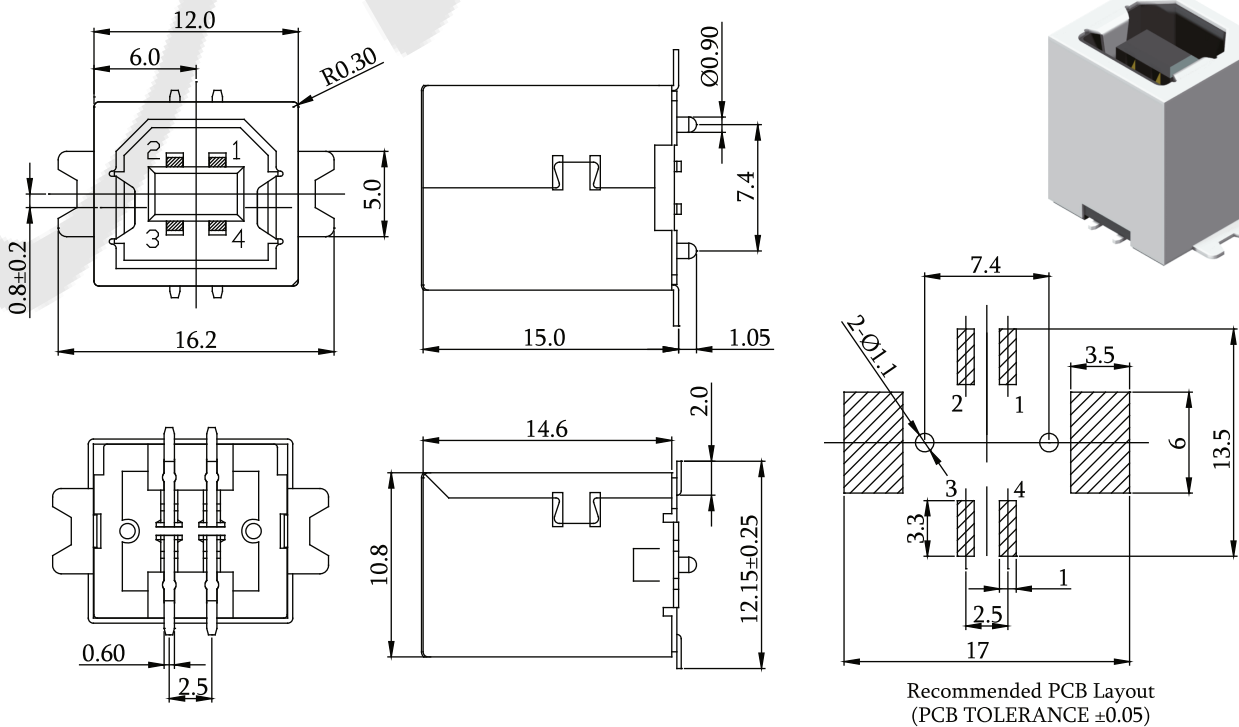
P/N.:5US2B05MF-104S0XUXD1

B:Black W:White

Old P/N:USB-001H-BX-U

A:Tray
H:Reel

USB B Type Female SMT Type 4P



No.	Name	Material	Finish	Q'ty	Remark
1	Housing	Nylon PA9T G.F.	Black/White	1	Gold:1~3u"; Ni:40~60u"; Tin:120u"
2	Contact	Phosphor Bronze T:0.25	Gold/Tin Plated	4	
3	Shell	Brass T:0.3	Nickel Plated	1	Ni: 50u" Min.
4	Mylar Tape	Mylar	Yellow	1	

P/N.:5US2B06MF-104S0XUXD1

B:Black W:White

Old P/N:USB-001KH-BX-U

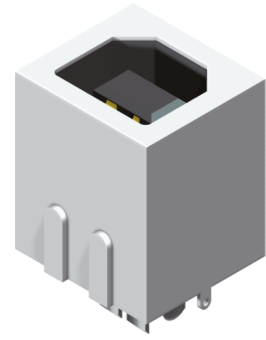
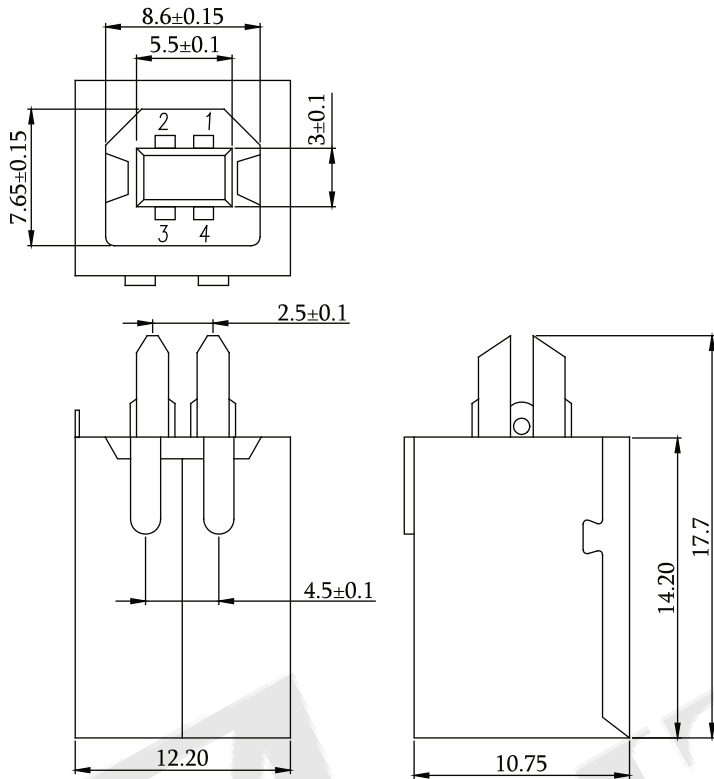
A:Tray
G:Tray With Mylar
M:Reel With Mylar

USB Conn. Series



ROHS

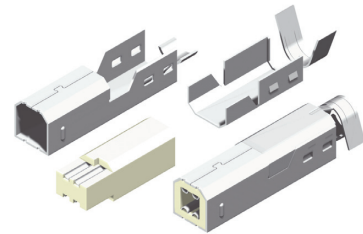
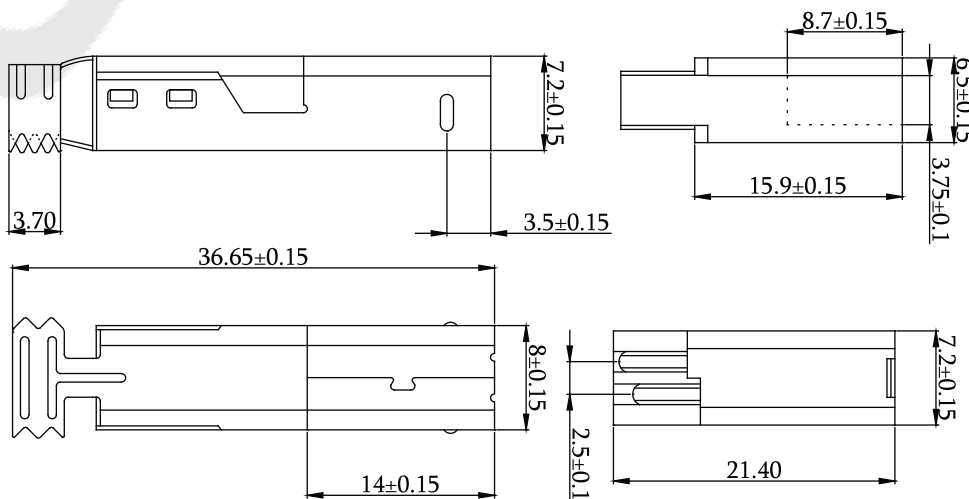
USB B Type Female Solder Type 4P



No.	Name	Material	Finish	Q'ty	Remark
1	Housing	PBT	White	1	UL94V-0
2	Contact	Brass T:0.25	Gold/Tin Plated	4	
3	Shell	Brass T:0.3	Nickel Plated	1	

P/N.:5US2B07SF-104S0WLBC1
Old P/N:USB-FS-BX-L

USB B Type Male Solder Type 4P



No.	Name	Material	Finish	Q'ty	Remark
1	Housing	P.B.T	Ivory	1	UL94V-0
2	Contact	Brass T:0.20	Gold Plated	4	
3	Front Shell	Cold Rolled Steel T:0.3	Nickel Plated	1	
4	Back Shell	Cold Rolled Steel T:0.3	Nickel Plated	1	

P/N.:5US2B08SM-104S0WLBC1
Old P/N:USB-MSL-BW-L