

Specification:

MATERIAL

1. HOUSING: GLASS-REINFORCED THERMOPLASTIC UL 94V-0.
2. CONTACT: BRASS.
3. PLATING: GOLD PLATING ON CONTACT AREA
TIN PLATED ON SOLDER TAILS, NICKEL UNDER PLATED ALL OVER.
4. SHELL: BRASS. THICKNESS: 0.30mm.
5. PLATING: ALL SHELL AREA PLATED NICKEL.

ELECTRICAL

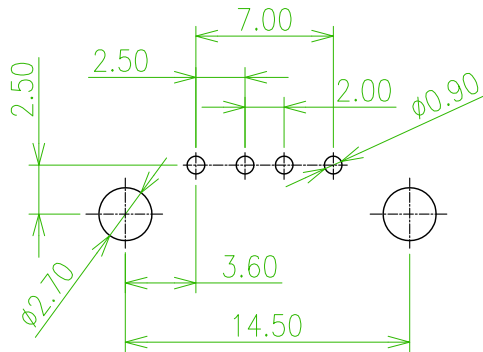
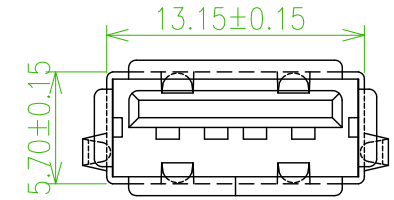
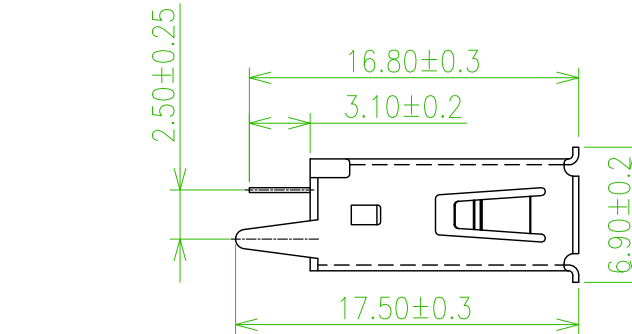
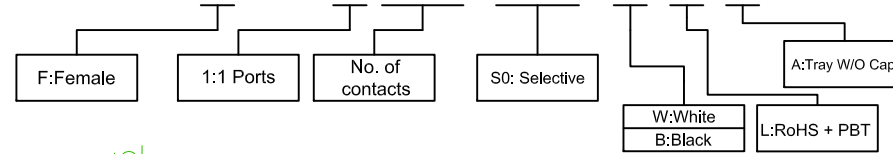
1. CURRENT RATING: 1.5AMP
2. DIELECTRIC WITHSTANDING VOLTAGE: 750V AC MIN
3. CONTACT RESISTANCE: 30mΩ MAX
4. INSULATION RESISTANCE: 1000MΩ MIN

ENVIRONMENTAL

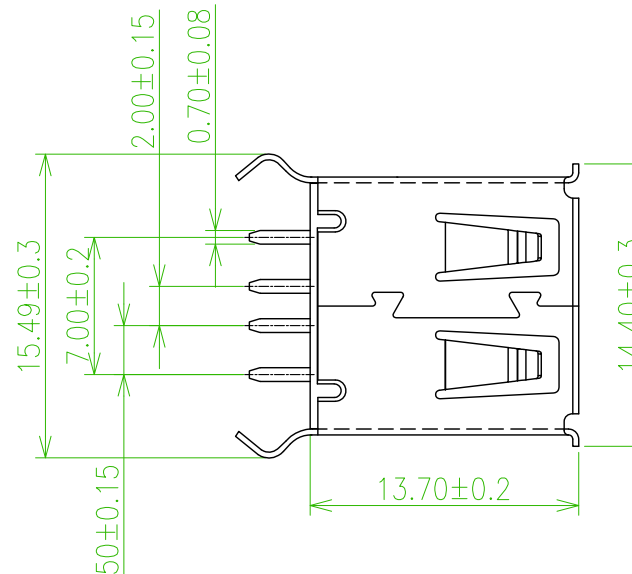
TEMPERATURE RANGE: -25°C TO +85°C

ORDER INFORMATION

5 U S 2 A 0 4 D F - 1 0 4 S 0 X L A R 1


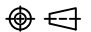


RECOMMENDED P.C.B LAYOUT



Langer Acker 32
30900 Wedemark
Germany

(+49) 5130 / 58642-0
info@amec-gmbh.de
www.amec-gmbh.de

 耀德精密有限公司 Amtek Technology Co., Ltd. TEL: 886-2-2260-6878 FAX: 886-2-2260-8030	品名 TITLE	USB A TYPE FEMALE DIP 180°				頁數 Page	1/1
	品號 PART NO.	5US2A04DF-104S0XLAR1				繪圖 DRAWN	Jeff 2016/09/19
	圖號 DRAWING NO.	GN033-EL315	版本 REV.	A	核對 CHECKED	Johnny 2016/09/19	
	客戶品號 CUSTOMER P/N		比例 SCALE	None	承認 APPROVED	Aaron 2016/09/19	
	公差 TOLERANCE	.X ± 0.20 .XX ± 0.15	單位 UNIT	mm	THIRD ANGLE PROJECTION		

5US2A04DF-104XXXLAC1

USB A Type Female Dip 180° 4P



Specification:

Contact Resistance: 30m Ω . Max.
Insulation Resistance: 1000M Ω Min. At 500VDC.
Rated Voltage And Current: 1.5A At 250VAC Min.
Dielectric Withstanding Voltage: 750V AC/Minute
Durability (Life Test): 1500 Cycles
Insertion Force: 35N Max.
Extraction Force: 10N Min.

Material

Housing: PBT+G.F
Pin Terminal: Phosphor Bronze T=0.25
Shield: Brass T=0.3
Cover: PBT+G.F