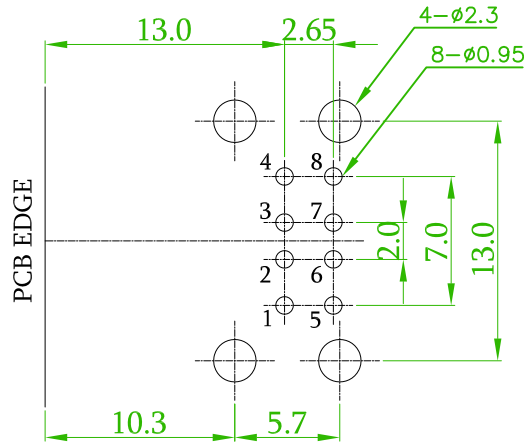
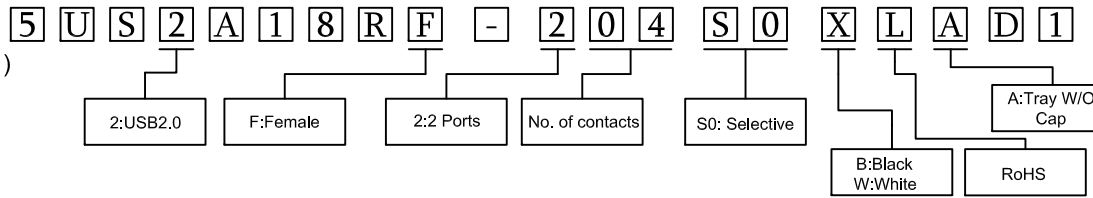


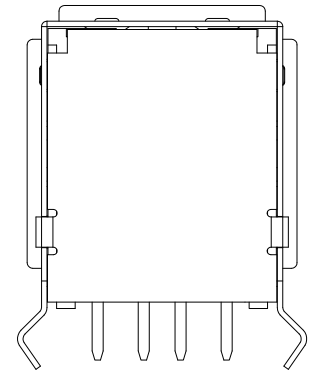
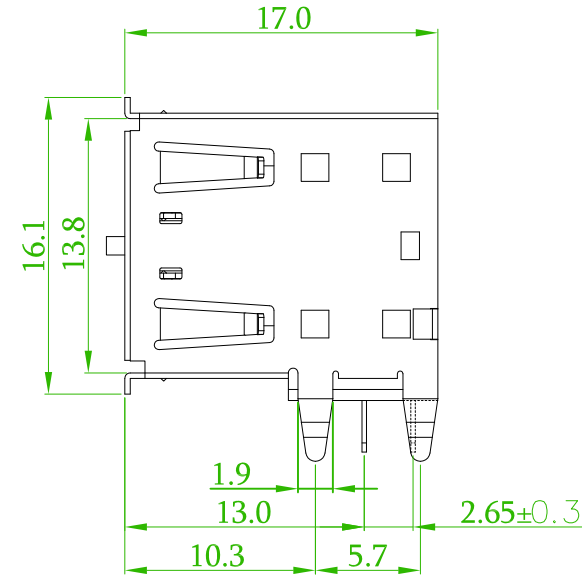
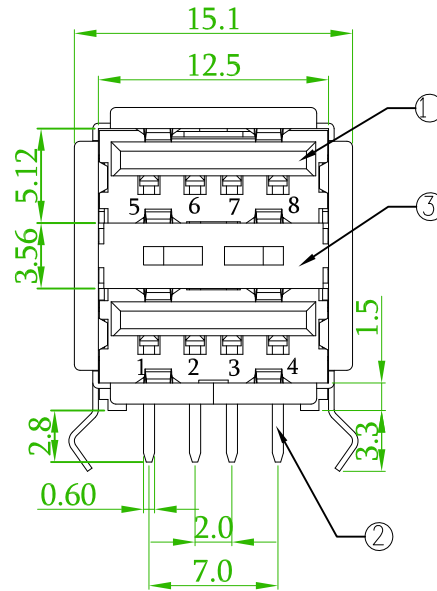
**SPECIFICATION**

Contact resistance:30m ohms Max.  
 Insulation Resistance:1000M ohms Min.At 500V DC.  
 Rated Voltage and Current:1.5A At 250V AC Minimum.  
 Dielectric Withstanding Voltage:750V AC(rms) for 1 Minute(Rev. 1.1)  
 Durability(Life Test):1500 Cycles  
 Insertion Force:35 N.Max.  
 Extraction Force:10 N.Min.

**ORDER INFORMATION**



PCB LAYOUT  
(BOTTOM VIEW)



NO.	NAME	MATERIAL	FINISH	Q'TY	REMARK
1	HOUSING	PBT G.F.	BLACK/WHITE	1	
2	PIN TERM.	PHOS. BRONZE,T:0.25	GOLD-TIN PLATED	8	Gold:1"3u"; NI:40"60u"; TIN:120u" (100% pure Tin of lead free plating)
3	SHELL	BRASS,T:0.3	TIN PLATED	1	TIN:120~200u"
4	SPRING CLIP	BRASS,T:0.3	TIN PLATED	1	TIN:120~200u"
5	REAR SHELL	SPCC,T:0.3	NICKEL PLATED	1	NI:80~120u"

Old Part No. :USB-002-AB-L

REV.	ECN NO. OR DESCRIPTION	REVISED	DATE
A	Revised the Part No.:5US2A18RF-204S0XLAD2->5US2A18RF-204S0XLAD1	C	2016/10/18 Jeff
B	Revise the drawing	B	2016/06/17 Mia

糧德精密有限公司  
Amtek Technology Co., Ltd.  
TEL: 886-2-2260-6878  
FAX: 886-2-2260-8030

品名 TITLE	USB A TYPE FEMALE DUAL PORTS				頁數 Page	1/1
品號 PART NO.	5US2A18RF-204S0XLAD1				繪圖 DRAWN	Mia 2015/10/07
圖號 DRAWING NO.		版本 REV.	C	核對 CHECKED	John 2015/10/07	
客戶品號 CUSTOMER P/N		比例 SCALE	None	承認 APPROVED	John 2015/10/07	
公差 TOLERANCE	.X ±0.25 .XX ±0.13	單位 UNIT	mm	THIRD ANGLE PROJECTION		

## 5US2A18RF-204S0XLAD1

USB A Type Female 2 Ports Dip R/A 8P



### Specification:

Contact Resistance: 30m $\Omega$  Max.  
Insulation Resistance: 1000M $\Omega$  Min.At 500V DC.  
Rated Voltage and Current: 1.5A At 250V AC Min.  
Dielectric Withstanding Voltage: 750V AC(rms)/Minute  
Durability(Life Test): 1500 Cycles  
Insertion Force:35 N.Max.  
Extraction Force:10 N.Min.

### Material

Housing: PBT+G.F  
Pin Terminal: Phosphor Bronze T=0.25  
Shield: Brass T=0.3  
Spring Clip:Brass T=0.3  
Rear Shield: SPCC T=0.3