

SPECIFICATION

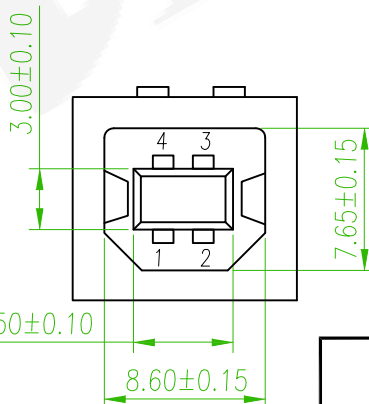
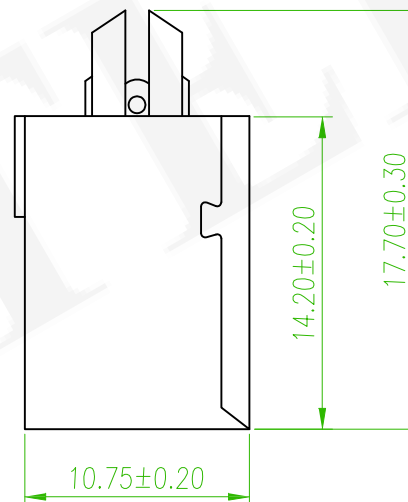
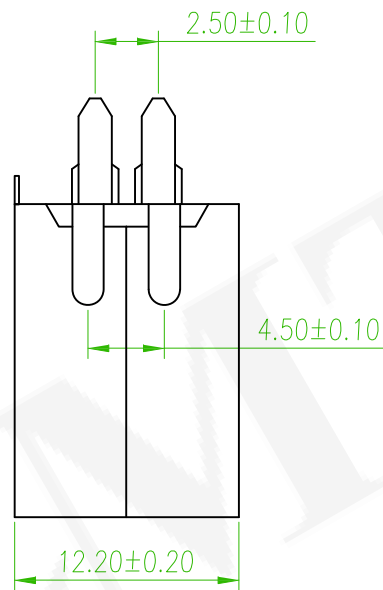
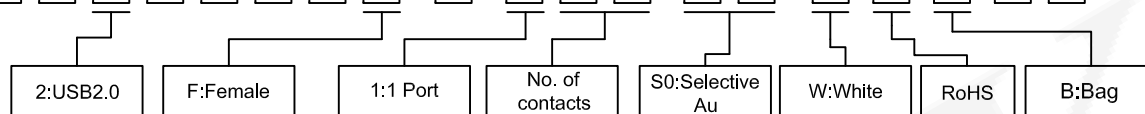
Current Rating: 1.5 AMP
 Voltage Rating: 250 V AC
 Insulation Resistance: 1000MΩ Min.
 Contact Resistance: 30m Ω Max
 Dielectric Voltage: 500V AC for one minute
 Insertion Force: 35N Max
 Withdrawal Force: 10N Min

MATERIAL

Insulator: P.B.T, UL94V-0
 Contact Pin: Brass
 Shell: Brass

ORDER INFORMATION

5 U S 2 B 0 7 S F - 1 0 4 S 0 W L B C 1



| | | | | | |
|-----|---------|------|----------|---------------------|---------------------|
| 3 | Shell | 1 | Brass | T=0.30mm | Nickel Plated |
| 2 | Contact | 4 | Brass | T=0.25mm | Selective Au" Flash |
| 1 | Housing | 1 | P.B.T | UL 94- V0 | White |
| No. | Name | Q'ty | Material | Remarks & Thickness | Finish |

Old Part No.: USB-FS-BW-L

| | | | |
|------|------------------------|---------|------|
| REV. | ECN NO. OR DESCRIPTION | REVISED | DATE |
|------|------------------------|---------|------|

TEL: 886-2-2260-6878
 FAX: 886-2-2260-8030

| | | | | | | |
|----------------------|-----------------------------|------------|-------------|------------|----------------|------------------------|
| 品名 TITLE | USB B TPYE FEMALE SOLDER 4P | | | | 頁數 Page | 1/1 |
| 品號 PART NO. | 5US2B07SF-104S0WLBC1 | | | | 繪圖 DRAWN | Elosie 2017/02/21 |
| 圖號 DRAWING NO. | GW062-EL288 | | 版本 REV. | A | 核對 CHECKED | Jonny 2017/02/21 |
| 客戶品號 CUSTOMER P/N | | | 比例 SCALE | None | 承認 APPROVED | Aaron 2017/02/21 |
| 公差 TOLERANCE | .X ± 0.30 | .XX ± 0.20 | .X° ± 1° | 單位 UNIT | mm | THIRD ANGLE PROJECTION |