

1.Material:

- 1.1 Insulator: P.B.T UL 94-V0 rated.
- 1.2 Contact: Brass,t=0.20mm.
- 1.3 Shell: Cold rolled steel,t=0.30mm.

2.Specification:

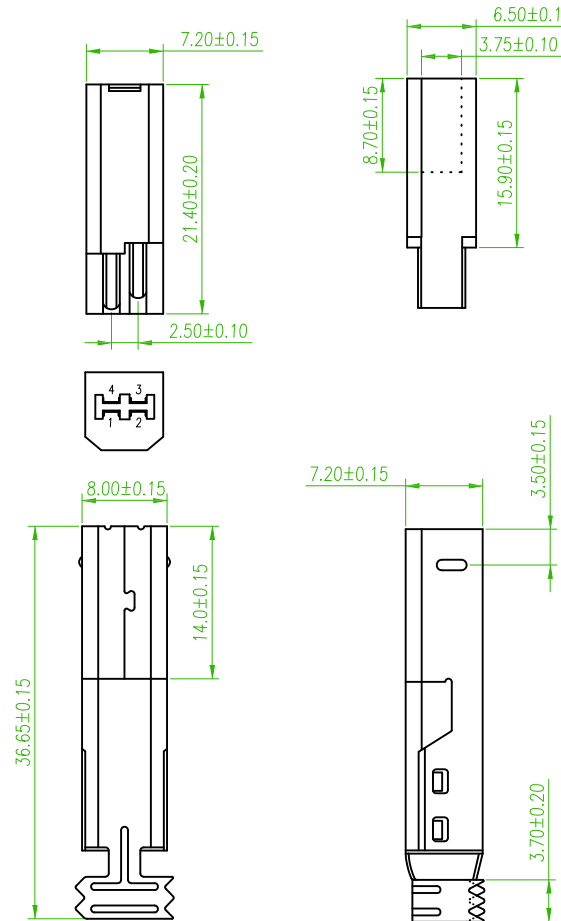
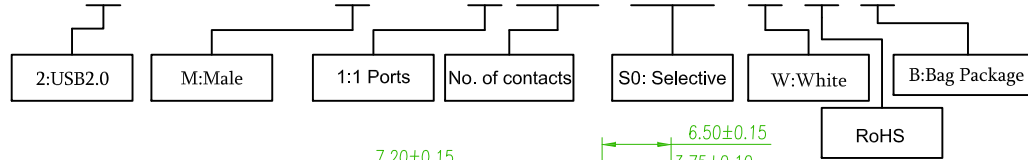
- 2.1 Current rating: 1 A Max.
- 2.2 Dielectric withstanding voltage: 500 V(ac) for 1 minute.
- 2.3 Contact resistance: 30 mΩ Max.
- 2.4 Insulation resistance: 1000 MΩ Min at DC 500V.
- 2.5 Temperature range: -55°C~+105°C

3.Finishes:

- 3.1 Shell: Nickel plated.

ORDER INFORMATION

5 U S 2 B 0 8 S M - 1 0 4 S 0 W L B C 1



4	Back-shell	1	Cold rolled steel	T=0.30mm	Nickel Plated
3	Front-shell	1	Cold rolled steel	T=0.30mm	Nickel Plated
2	Contact	4	Brass	T=0.20mm	Gold Flashed
1	Housing	1	P.B.T	UL 94-V0	Ivory
No.	Name	Q'ty	Material	Remarks & Thickness	Finish

Old Part No.:USB-MSL-BW-L

REV.	ECN NO. OR DESCRIPTION	REVISED	DATE

糧德精密有限公司
Amtek Technology Co., Ltd.
TEL: 886-2-2260-6878
FAX: 886-2-2260-8030

品名 TITLE	USB B TYPE Male Solder				頁數 Page	1/1
品號 PART NO.	5US2B08SM-104S0WLBC1				繪圖 DRAWN	Jeff 2016/09/23
圖號 DRAWING NO.		版本 REV.	A	核對 CHECKED	Johnny 2016/09/23	
客戶品號 CUSTOMER P/N		比例 SCALE	None	承認 APPROVED	Aaron 2016/09/23	
公差 TOLERANCE	.X ± 0.30 .XX ± 0.20	單位 UNIT	mm	THIRD ANGLE PROJECTION		