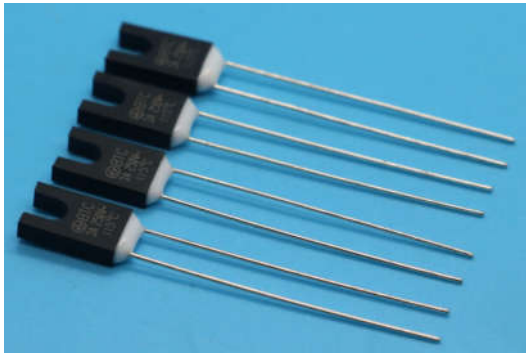
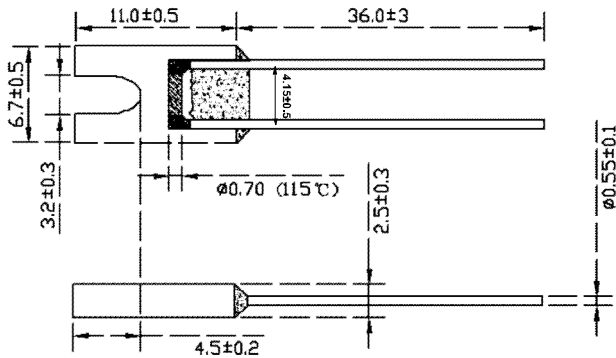


BTC Series Thermal Fuse



Dimensions (unit in mm)



Features

The BTC fuses are non-resetting single-pole and normally closed devices and provide accurate, reliable protection for high temperature applications against overheating through interrupting electric current. With their metal body and strong leads these fuses offer a sturdy built and high rated currents such as 3 Ampere

Application

BTC series thermal fuses are widely used in various applications such as transformers, adapters, secondary batteries, household appliances, gas water heaters, lighting and other heating equipment.

Part numbering system

- | | | | | |
|-----|-----|-----|-----|-----|
| BT | C | 003 | 115 | 0 |
| ↓ | ↓ | ↓ | ↓ | ↓ |
| (1) | (2) | (3) | (4) | (5) |
- (1) Model..... BT... Better's Brand
 (2) Product series..... C... CP line
 (3) Rated current..... 003... Rated current: 3A
 (4) Functioning temperature... 115... Tf: 115°C
 (5) Remark number..... Normal

Electrical Characteristics at 25 °C

NO.	Part Number	Tf	Operating temperature	Th	Tm	Rated Current	Voltage	Approvals					
		(°C)	(°C)	(°C)	(°C)			UL	cURus	CCC	KC	PSE	TUV
1	BTC0031150	115	111±2	95	200	3	250V AC	•	•	•	•	•	•

Note:1. In UL certification, there have Tf 115C 3.5A/125V.

Ordering Information

Series	Function temperature (Tf)	Supplementary Code	Qty
BTC			

