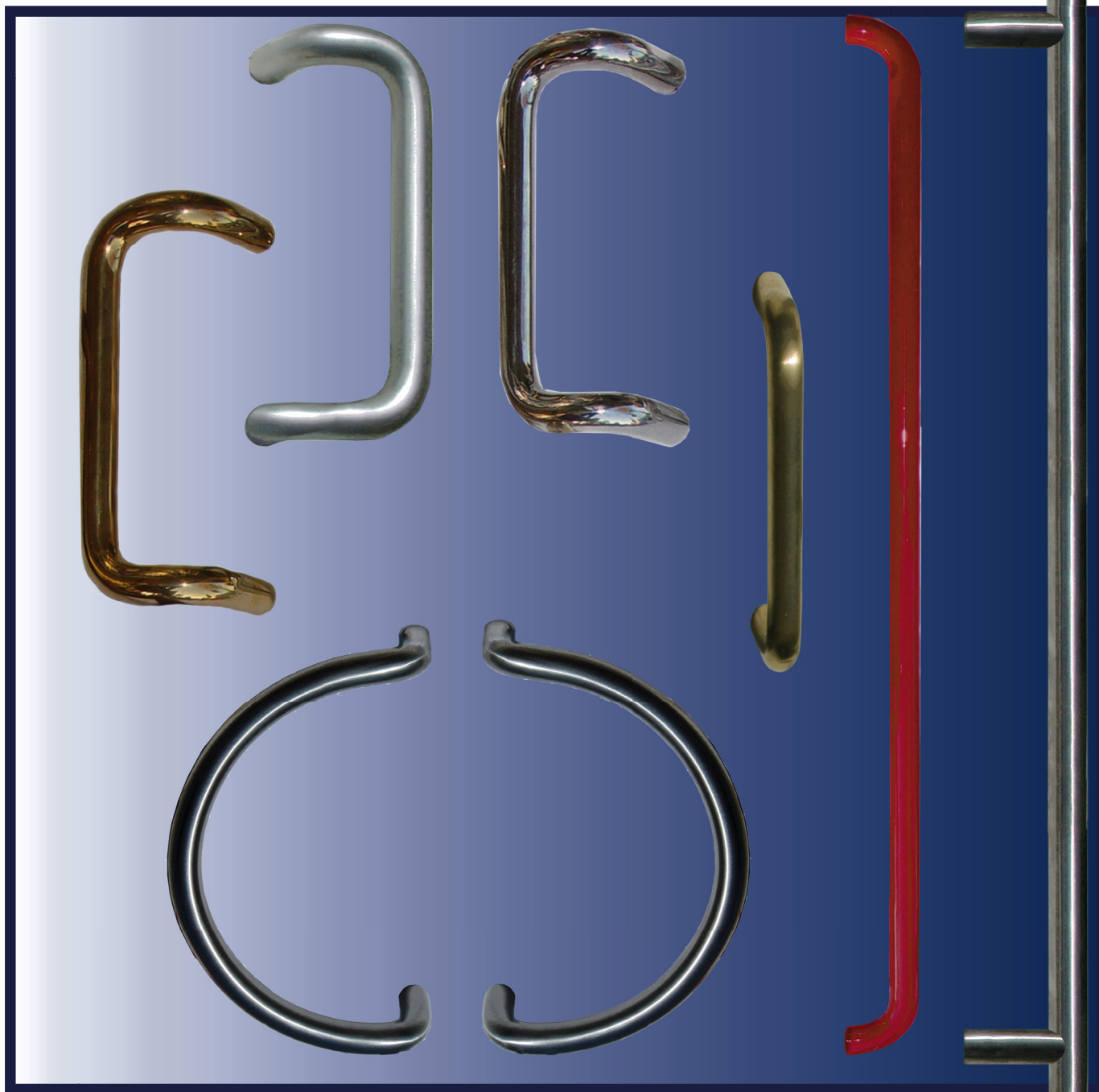


HARNISCH COMPANY

Architectural Hardware

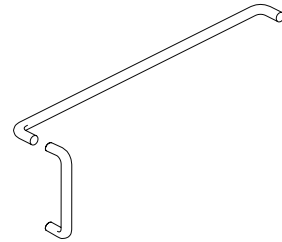


Handles & Push Bars

7651 Woodwind Drive
Huntington Beach CA 92647
www.harnisch.net

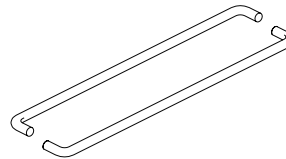
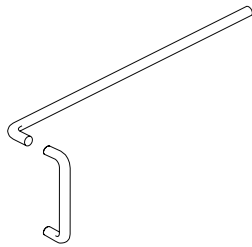
714-841-4486
714-841-9635 fax
800-258-8780 fax

STANDARD, DELUXE, AND ECONOMY DOOR PULLS



STRAIGHT DOOR PULL				
1" DIAMETER SOLID				
Single Pull Part No.	CTC	Projection	Clearance	Pull Sets Part No.
2A	8"	3"	2"	2AS
2B	9"	3-1/2"	2-1/2"	2BS
2C	10"	3"	2"	2CS
2E	12"	3"	2"	2ES
2H	15"	3"	2"	2HS
2K	18"	3"	2"	2KS
1-1/4" DIAMETER SOLID				
M2E	12"	3-1/4"	2"	M2ES
M2K	18"	3-1/4"	2"	M2KS
1" DIAMETER TUBULAR				
T2A	8"	3"	2"	T2AS
T2C	10"	3"	2"	T2CS
T2E	12"	3"	2"	T2ES
T2K	18"	3"	2"	T2KS

STRAIGHT PULL & DOUBLE BEND PUSH BAR SET				
1" DIAMETER SOLID				
DOUBLE BEND PUSH BAR CTC WITH 2-1/4" PROJECTION				
CTC	27-3/4"	33-1/16"	39-1/16"	VARIABLE CTC
8"	2A227	2A233	2A239	2A23V
9"	2B227	2B233	2B239	2B23V
10"	2C227	2C233	2C239	2C23V
12"	2E227	2E233	2E239	2E23V
15"	2H227	2H233	2H239	2H23V
18"	2K227	2K233	2K239	2K23V
1-1/4" DIAMETER SOLID				
DOUBLE BEND PUSH BAR CTC WITH 2-5/8" PROJECTION				
12"	M2E227	M2E233		M2E23V
18"	M2K227	M2K233		M2K23V
1" DIAMETER TUBULAR				
8"	T2A227			
10"	T2C227			
12"	T2E227			
18"	T2K227			



STRAIGHT PULL & SINGLE BEND PUSH BAR SET			
1" DIAMETER SOLID			
SINGLE BEND PUSH BAR CTC WITH 2-1/4" PROJECTION			
CTC	33-1/16"	39-1/16"	VARIABLE CTC
8"	2A133	2A139	2A13V
9"	2B133	2B139	2B13V
10"	2C133	2C139	2C13V
12"	2E133	2E139	2E13V
15"	2H133	2H139	2H13V
18"	2K133	2K139	2K13V

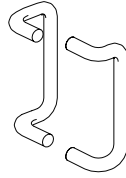
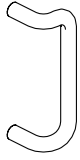
DOUBLE BEND PUSH BAR SET			
1" DIAMETER SOLID			
DOUBLE BEND PUSH BAR CTC W/ 2-1/4" PROJECTION			
27-3/4"	33-1/16"	39-1/16"	VARIABLE CTC
227S	233S	239S	23VS

SINGLE BEND PUSH BAR SET		
1" DIAMETER SOLID		
SINGLE BEND PUSH BAR CTC W/ 2-1/4" PROJECTION		
33-1/16"	39-1/16"	VARIABLE CTC
133S	139S	13VS



NOTE: FOR GLASS DOOR MOUNTING, ADD PREFIX "G" TO PART NUMBER. EXCEPTION: SINGLE BEND PUSH BARS

STANDARD, DELUXE, AND ECONOMY DOOR PULLS



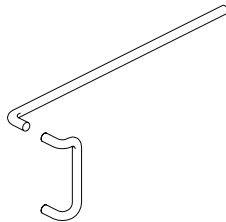
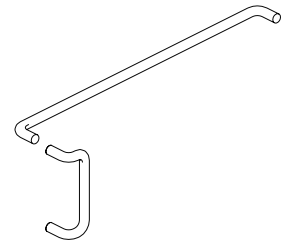
STRAIGHT DOOR PULL					
1" DIAMETER SOLID					
Single Pull Part No.	CTC	Offset	Projection	Clearance	Pull Sets Part No.
4B	9"	3-1/4"	3-1/4"	2-1/4"	4BS
4C	10"	3-1/4"	3-1/4"	2-1/4"	4CS
4E	12"	3-1/4"	3-1/4"	2-1/4"	4ES
4H	15"	3-1/4"	3-1/4"	2-1/4"	4HS
4K	18"	3-1/4"	3-1/4"	2-1/4"	4KS
1-1/4" DIAMETER SOLID					
M4E	12"	3-1/4"	3-1/4"	2"	M4ES
M4K	18"	3-1/4"	3-1/4"	2"	M4KS
1" DIAMETER TUBULAR					
T4B	9"	3-1/4"	3-1/4"	2-1/4"	T4BS
T4C	10"	3-1/4"	3-1/4"	2-1/4"	T4CS
T4E	12"	3-1/4"	3-1/4"	2-1/4"	T4ES

Solid brass, aluminum or stainless steel construction.

US Standard Finishes: US3, 4, 10B, 28, 32, 32D, Duranodic bronze and black High performance architectural CLASS 1 anodized finishes
Electrolytically deposited color

Meets or exceeds AAMA 611-98 specifications

Custom colors are available



OFFSET PULL & SINGLE BEND PUSH BAR SET			
1" DIAMETER SOLID			
SINGLE BEND PUSH BAR CTC WITH 2-1/4" PROJECTION			
CTC	33-1/16"	39-1/16"	VARIABLE CTC
9"	4B133	4B139	4B13V
10"	4C133	4C139	4C13V
12"	4E133	4E139	4E13V
15"	4H133	4H139	4H13V
18"	4K133	4K139	4K13V

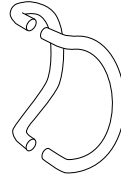
OFFSET PULL & DOUBLE BEND PUSH BAR SET				
1" DIAMETER SOLID				
DOUBLE BEND PUSH BAR CTC WITH 2-1/4" PROJECTION				
CTC	27-3/4"	33-1/16"	39-1/16"	VARIABLE CTC
9"	4B227	4B233	4B239	4B23V
10"	4C227	4C233	4C239	4C23V
12"	4E227	4E233	4E239	4E23V
15"	4H227	4H233	4H239	4H23V
18"	4K227	4K233	4K239	4K23V
1-1/4" DIAMETER SOLID				
DOUBLE BEND PUSH BAR CTC WITH 2-5/8" PROJECTION				
12"	M4E227	M4E233		M4E23V
18"	M4K227	M4K233		M4K23V
1" DIAMETER TUBULAR				
9"		T4B233		
10"		T4C233		
12"		T4E233		

NOTE: FOR GLASS DOOR MOUNTING, ADD PREFIX "G" TO PART NUMBER. EXCEPTION: SINGLE BEND PUSH BARS

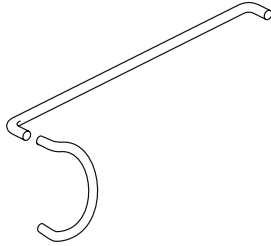
SPECIALTY DOOR PULLS



CUSTOM "C" PULL				
1" DIAMETER SOLID				
Part No.	CTC	Offset	Projection	Clearance
C12E	12"	8"	3"	2"



CUSTOM "C" PULL SETS				
1" DIAMETER SOLID				
Part No.	CTC	Offset	Projection	Clearance
C12ES	12"	8"	3"	2"
1" DIAMETER TUBULAR				
TC12ES	12"	8"	3"	2"



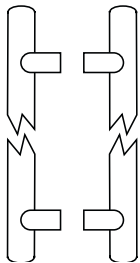
CUSTOM "C" PULL & DOUBLE BEND PUSH BAR SET				
1" DIAMETER SOLID				
CTC	27-3/4"	33-1/16"	39-1/16"	VARIABLE CTC
12"	C12E227	C12E233	C12E239	C12E23V



CUSTOM FULL HEIGHT PULLS		
1" DIAMETER (4' TO 8')		
Part No.	Projection	Clearance
FHP1	3"	2"



CUSTOM FULL HEIGHT PULLS		
1" DIAMETER (4' TO 8')		
Part No.	Projection	Clearance
FHP2	3"	2"



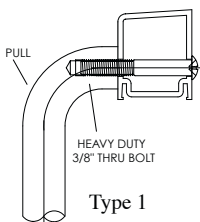
CUSTOM FULL HEIGHT LADDER PULLS				
1-1/4" DIAMETER TUBULAR				
Part No.	Height	CTC	Projection	Clearance
TLP4S	48"	36"	3-1/4"	2"
TLP5S	60"	48"	3-1/4"	2"
TLP6S	72"	60"	3-1/4"	2"
TLP7S	84"	72"	3-1/4"	2"

Color matched
3/8" Heavy Duty Thru Bolts are standard.

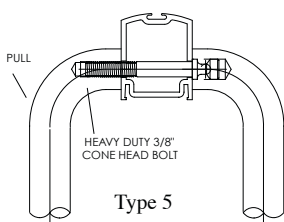


NOTE: FOR GLASS DOOR MOUNTING, ADD PREFIX "G" TO PART NUMBER. EXCEPTION: SINGLE BEND PUSH BARS

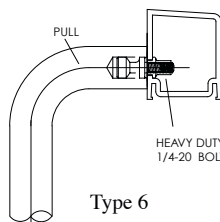
MOUNTING HARDWARE - 3/8" HEAVY DUTY BOLT IS STANDARD



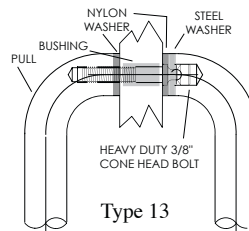
Thru Bolt Mount



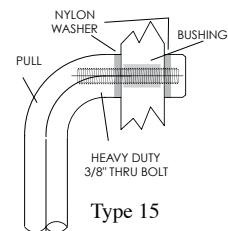
Back to Back Mount



Fully Concealed Mount



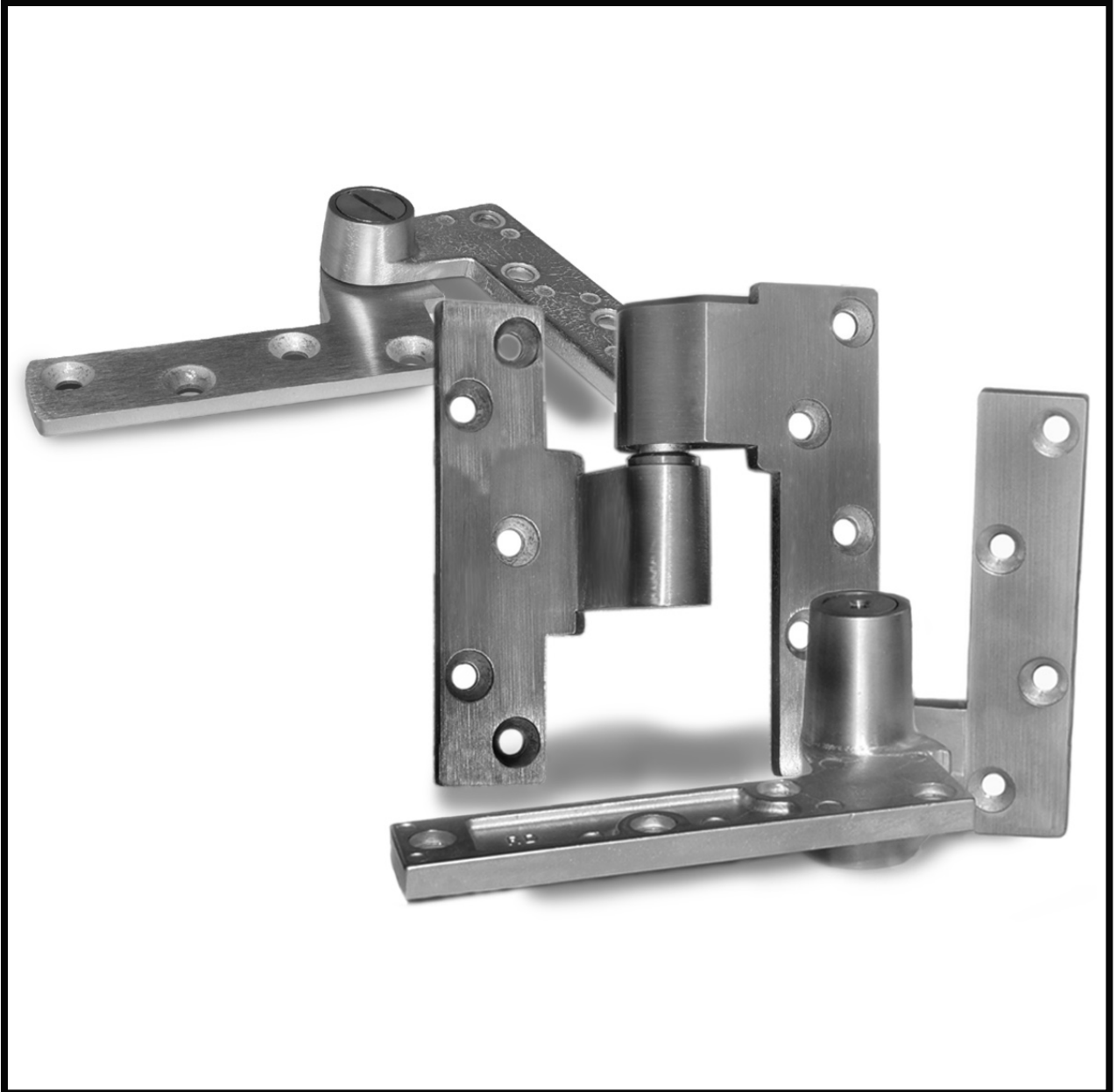
Glass Door Back to Back Mount



Glass Door Thru Bolt Mount

HARNISCH COMPANY

Architectural Hardware

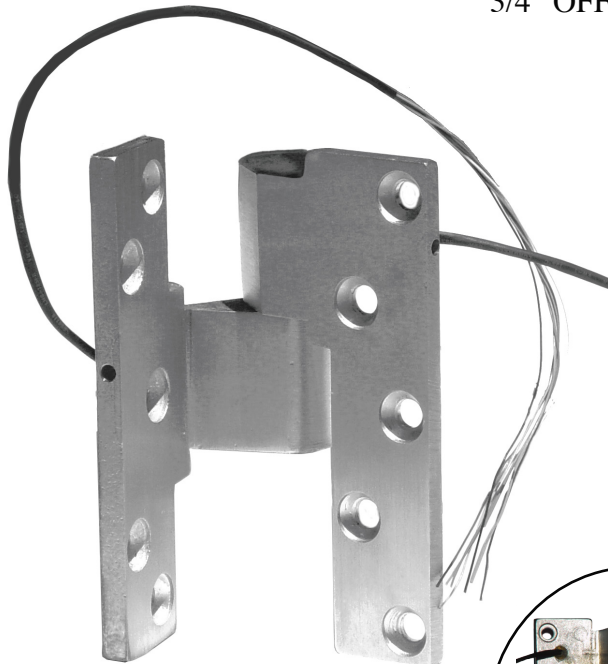


Pivots

**7651 Woodwind Drive
Huntington Beach CA 92647
www.harnisch.net**

**714-841-4486
714-841-9635 fax
800-258-8780 fax**

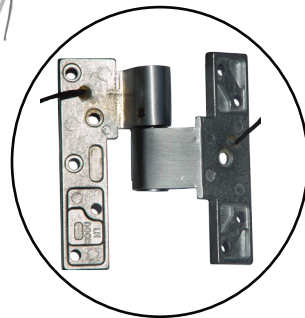
EMP3 - POWER TRANSFER PIVOT
3/4" OFFSET - FULL MORTISE



The EMP3 Electrified Intermediate Pivot features FOUR pairs of stranded conductors providing concealed low voltage current transfer.

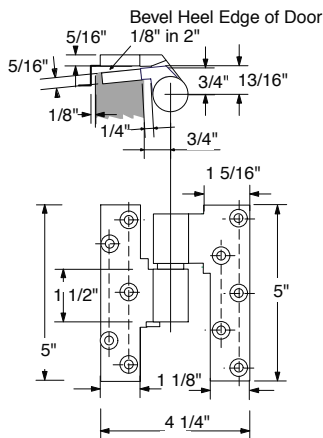
U.L. Listed wire with TFE Teflon® Insulation #28 AWG with 7/36 stranding. Rated 24 volts maximum, U.L. Style 1371.

Electrical 2 Amps @ 24V DC per pair maximum. 8 Amps maximum utilizing four pairs in a circuit.



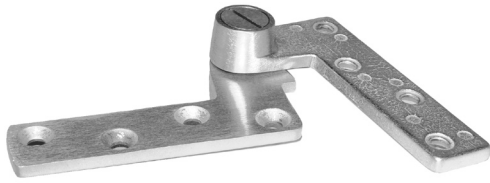
- Non-load bearing.
- Non-separable leaves.
- Specify handing.

MP3 INTERMEDIATE PIVOT - 3/4" OFFSET

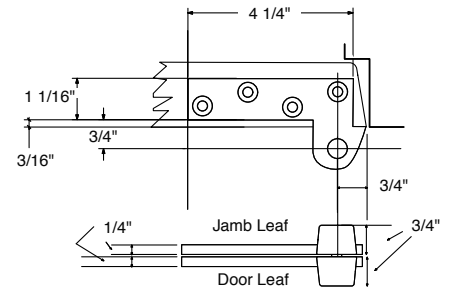


- Interior or exterior doors
- Heavy-duty needle bearing standard
- 3/16" vertical adjustment after installation
- Full mortise, handed
- Non-ferrous material
- Furnished with machine screws
- BHMA/ANSI C07321/3525

MP1 TOP PIVOT - 3/4" OFFSET



- Interior or exterior doors
- Heavy-duty needle bearing standard
- Full mortise, non-handed



- Non-ferrous material
- Furnished with machine screws

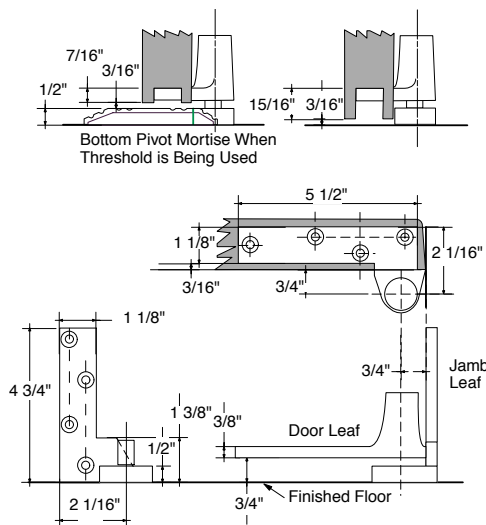
MP4 BOTTOM PIVOT



- Interior or exterior doors
- Weight up to 600 lbs.
- Door width up to 4' 0"

- Heavy-duty needle bearing standard
- 3/4" vertical adjustment w/positive locking feature
- Full mortise, non-handed
- Furnished with machine screws
- BHMA/ANSI C07162/3530A

MP2 BOTTOM PIVOT - 3/4" OFFSET



- Interior or exterior doors
- Weight up to 450 lbs.
- Door width up to 4' 0"



- Heavy-duty needle bearing standard
- 3/16" vertical adjustment after installation
- Full mortise, handed
- Non-ferrous material
- Furnished with machine screws
- BHMA/ANSI C07131/3520

- 3/4" Offset center line from edge of door and face of door.
- Door thickness minimum 1-3/4", bevel 1/8" in 2".

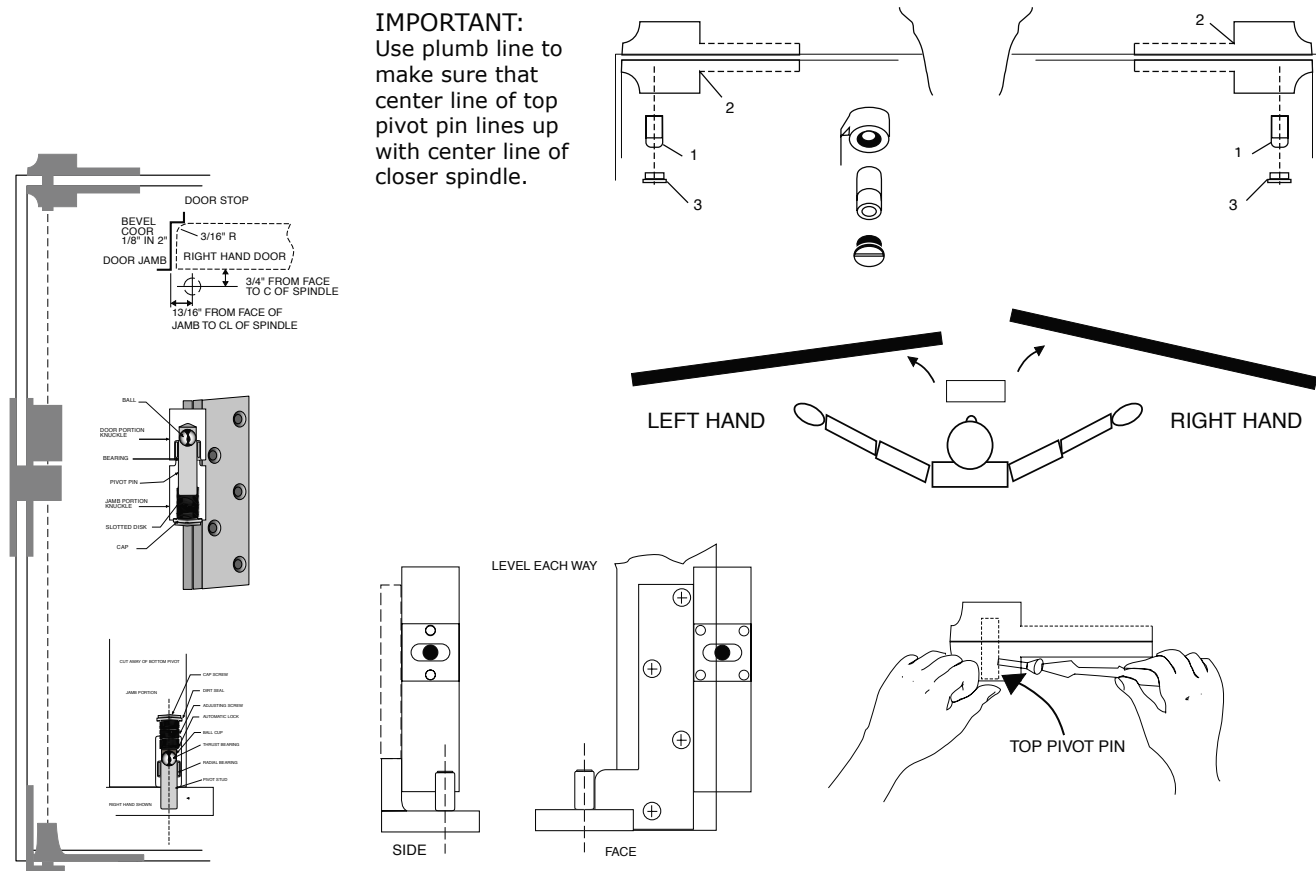
Available in the following standard architectural finishes: US3, US4, US10, US10B, US26, US26D.
Optional finishes and powder-coating available.



Established in 1985, the Harnisch Company is a leading manufacturer of architectural door hardware. We specialize in supplying leading OEM manufacturers throughout North America, Europe, and Asia.

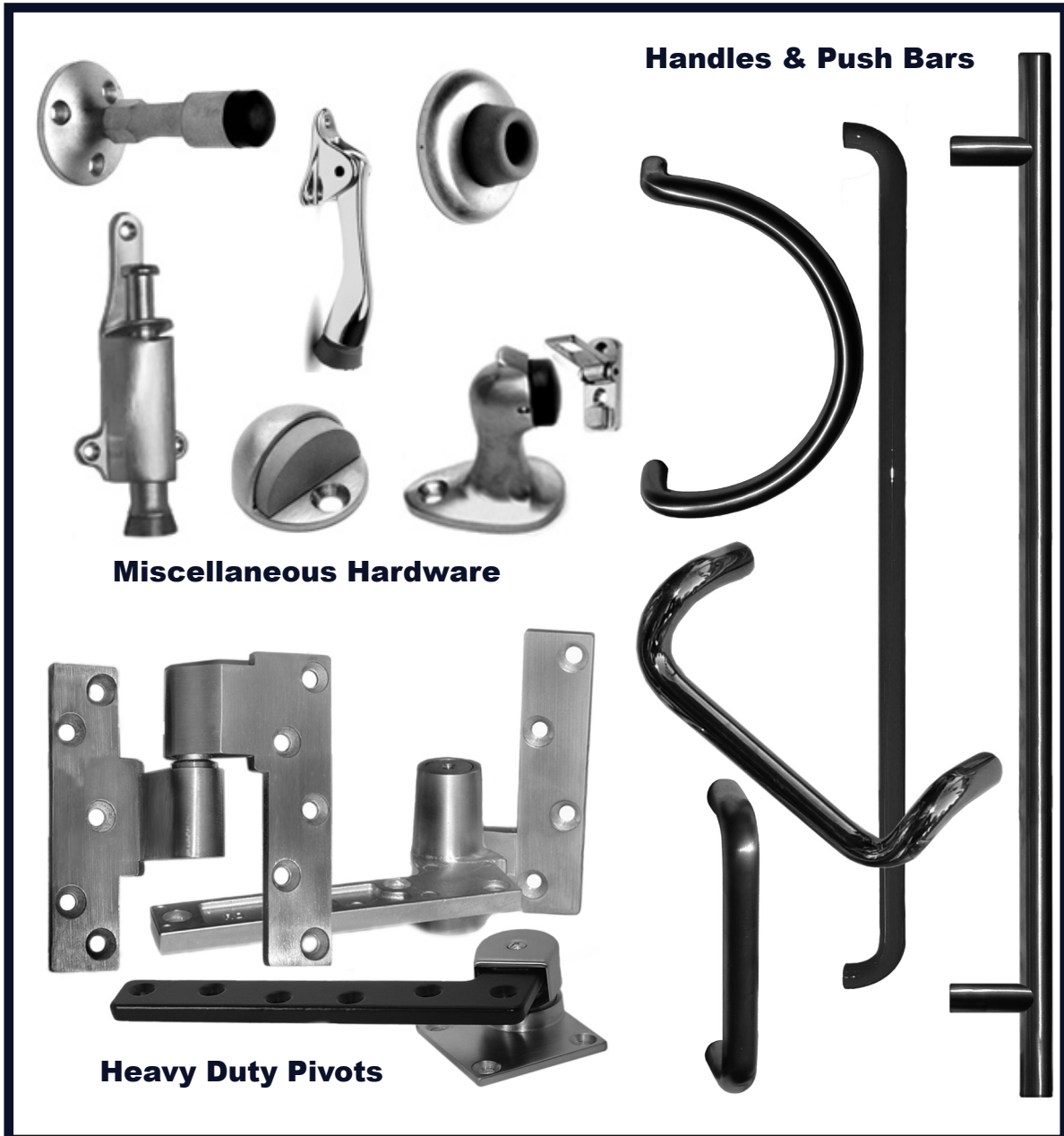
Products include: UL listed flush and surface bolts, handles and push bars, heavy-duty 3/4" offset pivots, overhead holders, wall and floor stops, and roller latches. We manufacture our products to meet or exceed AAMA, BHMA, and ANSI specifications.

Additionally, we produce many types of custom designed, patented, and proprietary products. Our emphasis on quality products is supported by our state of the art equipment and facilities. Tooling capabilities include: forging, investment casting, stamping, bending and extruding. We provide US Code and BHMA finishes. Our anodizing facility yields class one electrolytically deposited finishes that meet or exceed AAMA 611-98 specifications.



HARNISCH COMPANY

Architectural Hardware



Handles & Push Bars

Miscellaneous Hardware

Heavy Duty Pivots

7651 Woodwind Drive
Huntington Beach CA 92647
www.harnisch.net

714-841-4486
714-841-9635 fax
800-258-8780 fax

WALL STOPS



WC20
Convex
Cast Wall Bumper
2 3/8" Diameter
1 3/16" Projection



WC25
Concave
Cast Wall Bumper
2 3/8" Diameter
1 3/16" Projection



**WA-G Adhesive-Backed
Wall Bumper-Grey**
WA-W White Wall Bumper not shown
1 7/8" Diameter
3/4" Projection

MADE IN USA



**WC15 Compact Cast
Wall Bumper**
1" Diameter
9/16" Projection



WS20
Convex
Wrought Wall Bumper
2 3/8" Diameter
1 3/16" Projection



WS25
Concave
Wrought Wall Bumper
2 3/8" Diameter
1 3/16" Projection

WALL STOPS



701XP Heavy Duty Wall Stop
2 1/2" Diameter Base
3 5/8" Projection



W340 Medium Duty Wall Stop
3 1/4" Projection



W425 Medium Duty Wall Stop
4" Projection



W325 Light Duty Wall Stop
3" Projection




W300 Heavy Duty Wall Stop
1 3/8" Diameter Base
3 3/4" Projection




W450 Heavy Duty Wall Stop
2 1/4" x 3" Base
3 3/4" Projection


DOME STOP




SD30 SlipperDome Stop
1 11/16" x 4" x 5/16" Base
1" High




SD35 SlipperDome Stop
2" x 4" x 1/2" Base
1 5/16" High




FS30 Dome Stop
1 3/4" Diameter
1/8" Base



FS35 Dome Stop
1 3/4" Diameter
1/2" Base



**FS45 Universal
Dome Stop**
1 3/4" Diameter
1/4" Base



FS37 Riser
1 3/4" Diameter
3/8" Base

FLOOR STOP



F500XP Heavy Duty Floor Stop
1 9/16" X 2 7/8" Base
2" High



F600XP Heavy Duty Floor Stop
1 1/2" x 2 1/2" Base
2 11/16" High



**FB18S
Heavy Duty Stop**
2" Diameter
1-1/2" High



**FB18T
Heavy Duty Stop**
2" Diameter
3-1/2" High



702XP Heavy Duty Floor Door Stop
2 1/2" Diameter
3 1/16" High



704XP Heavy Duty Floor Door Stop
2 1/2" Diameter
3 1/16" High



F650XP Heavy Duty Floor Door Stop
1 5/8" x 2 5/8" Base
1 7/8" High



FS434 Full Cushion Stop
2-3/4" High

WALL STOPS

HP20 Hinge Pin Stop
85°-125°
Cast Aluminum

W350 Heavy Duty Wall Stop
1 3/4" Diameter
2 1/4" Projection

HP30 Hinge Pin Stop
70°-100°
Heavy Duty Steel

703XP Heavy Duty Wall Door Stop
2 1/4" Diameter
3 5/8" Projection

ROLLER BUMPERS

RB400
4 1/2" Projection
2" Diameter

RB300
2 5/8" Projection
2 1/4" x 2" Base

RB600
6 1/2" Projection
2" Diameter

DOOR SILENCERS

DS64 Door Silencer
Metal Frames

DS65 Door Silencer
Wood Frames

AUTOMATIC DOOR HOLDER

Automatic Door Holder
3 11/16" x 3" Base
1 15/16" Projection

FS951
1 3/4" High

FS950
1 3/16" High

FS952
2 1/4" High

FS953
2 3/4" High

WH950 Automatic Door Holder
2 3/4" x 2 7/16" Base
2 3/16" Projection

FS900 Semi-Automatic Door Holder & Stop
2" X 3 1/2" Base
4 7/8" High

DOOR HOLDERS

Cast Iron Kick Down Door Holder

DH40

DH50
5" Arm
1 7/16" x 2 1/8" Base

Cast Brass Kick Down Door Holder

DH004
4" Arm
1 7/16" x 2 1/8" Base

DH005
5" Arm
1 7/16" x 2 1/8" Base

PlungerType Door Holder

DH3354
5 3/8" x 2 1/4" Base
1 1/4" Projection
1 1/4" Throw

DH3353
6 1/4" x 1 1/2" Base
1 7/16" Projection

ROLLER LATCHES



RL980 Roller Latch
1" X 3 3/8" Latch Face



RL320 Roller Latch Heavy Duty
2 1/4" x 1 1/8" Latch Face



RL1180 Roller Latch/Angle Stop
1 1/2" Wide Latch Face



RL380 Roller Latch Surface Mount/SS
1 3/4" x 3/4" Strike



RL360 Roller Latch Light Duty/SS
2 1/4" x 7/8" Face Plate
2 1/4" x 7/8" Strike

BALL CATCHES



CL220 Two Way Catch
2 3/16" Length



CL215 Four Way Catch
3" Length




CL210 Four Way Catch
3" Length




BC100 Adjustable Ball Catch
1 1/2" x 3/4" Face Plate
1 1/2" x 25/32" Strike

BULLET CATCHES




BC250 Bullet Catch
1/4" Diameter
3/8" Length



BC375 Bullet Catch
3/8" Diameter
1/2" Length




BC376A Adjustable Bullet Catch
3/8" Diameter
5/8" Length



BC500A Adjustable Bullet Catch
1/2" Diameter
1-1/32" Length


ROLLER LATCH STRIKES



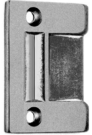
SK1180C1 Cast Roller Strike
1 7/8" x 1 1/4"



SK980W2 Wrought Roller Strike
4 7/8" x 1 1/4"




SK980W1 Wrought Roller Strike
2 3/4" x 1 1/4"




SK980C1 Cast Roller Strike
2 1/4" x 1 11/16"

PIVOTS

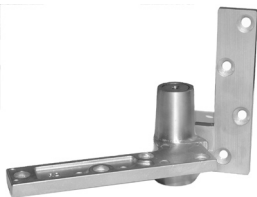
3/4" Offset Pivots




MP1 Top Pivot



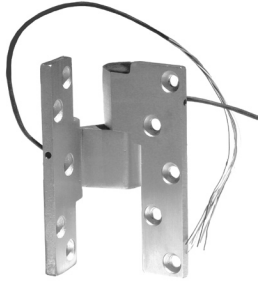
MP4 Heavy Duty Floor Pivot



MP2 Bottom Pivot



MP3 Intermediate Pivot



EMP3 Electrified Intermediate Pivot

DUST PROOF STRIKES

DP150 Dust Proof Strike (Floor &/or Thresh)
 1 3/8" X 2 7/8"
 1" Barrel Diameter




DP150L Dust Proof Strike
 1 3/8" X 2 7/8"
 1" Barrel Diameter



DP100 Dust Proof Strike (Threshold Only)

COORDINATOR





T200 Gravity Coordinator 7"
T300 Gravity Coordinator 9"
 5 1/2" X 1 1/8"




SURFACE BOLTS

SB103 Concealed Surface Bolt 3"
SB104 Concealed Surface Bolt 4"
SB106 Concealed Surface Bolt 6"
 1" Projection
 1" Throw



SB206 Concealed Surface Bolt 6"
SB209 Concealed Surface Bolt 9"
SB212 Concealed Surface Bolt 12"
 1" Projection
 1" Throw



FLUSH BOLTS

FB850 Extension Flush Bolt
 1" X 6 3/4" Face Plate
 3/4" Throw



FB951 Extension Flush Bolt
 1" X 6 3/4" Face Plate
 3/4" Throw
 Wood Door




FB875 Extension Flush Bolt
 1 1/4" X 6 3/4" Face Plate
 3/4" Throw







SURFACE BOLTS



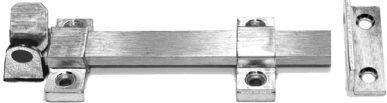
SB428 Surface Strap Bolt 8"
SB4212 Surface Strap Bolt 12"(not shown)
 1/4" x 3/4" Bolt Size
 1" Bolt Throw




SB435 Surface Strap Bolt 5"
 1/4" x 3/4" Bolt Size
 1" Bolt Throw





SB538L Locking Surface Strap Bolt 8"
 1 5/8" Projection 1" Throw



SB438 Surface Strap Bolt 8"
 1 5/8" Projection 1" Throw



SB538 Concealed Surface Bolt
 1 5/8" Projection 1" Throw

FLUSH BOLTS


FB600 Residential Flush Bolts
 1/2" Bolt Head Diameter
 1" Throw




FB600R Residential Flush Bolts
 1/2" Bolt Head Diameter
 1" Throw



SECURITY DOOR GUARDS




DG354 Security Door Guard
4 3/4" Arm




DG354EG Door Edge Guard

EDGE PULLS

EP636 Concealed Edge Pull
1" X 4 1/4" X 7/16" Size




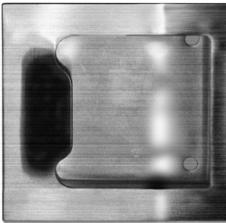
EP465 Brass Edge Pull
3 7/8" x 3/4" x 1 5/8" Size



FLUSH PULLS

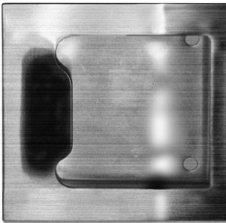
FC500 Cast Flush Pull 1 7/8" X 3"
1/8" Projection
(not shown)

FC600 Cast Flush Pull 2 1/2" x 4"
1/8" Projection






ADA

FC1460 Stainless Steel Flush Pull
Surface Mount 5" X 5"




R20 Brass Flush Pull
2-1/2" Diameter





R30 Brass Flush Pull w/Ring
2-1/2" Diameter


WARDROBE HOOKS




H250 Coat & Hat Hook
2-1/4" Height
3-1/16" Projection




H245 Hook
3-5/8" Height
3-1/16" Projection




H256 Hook
1-1/4" Height
2-1/4" Projection




H265 Triple Hook
5" Height
3-1/16" Projection




H255 Hook
1-11/16" Height
1-5/8" Projection




H260 Hook
2" Height
1-3/4" Projection



H270 Hook
7" Height
3-11/16" Projection



H275 Wardrobe Hook
3" Width
1" Projection



H280 Ceiling Hook
2-1/4" Height
3-1/4" Width

DOOR KNOCKERS & VIEWER

DK676 Door Knocker
DK676V Available w/Viewer



DV150V Door Viewer



DK150V Door Knocker w/Viewer
2 3/16" x 3 1/4" Knocker Size



DOOR PULLS

Solid Brass, Bronze, Aluminum, and Stainless Steel

Solid Extruded
Brass, Aluminum,
and Stainless Steel



RP675
3/4" Round
2 3/8" Projection
6" CTC
6 3/4" Overall

Also available:
RP875-8"

RP1075-10"



FP625
3/8" X 1 1/4" Half Round
1 7/8" Projection
6" CTC
6 3/8" Overall

Also available:
FP825-8"



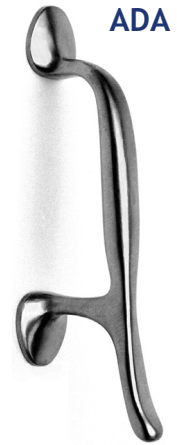
CP850
2" Projection
5 1/2" CTC
7 1/2" Overall



CP550
2" Projection
5 1/2" CTC
6 1/4" Overall



CP600
2" Projection
5 1/2" CTC
6" Overall



HP1000
ADA Hospital Grip
3 1/4" Projection
5 1/4" CTC
8 3/4" Overall

ADA

OVERHEAD DOOR HOLDER/STOP

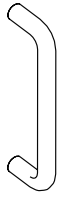
9M SERIES Replacement for 9-90-900-9000 SERIES HOLDER



Hold Open
Friction Hold Open
Stop Only

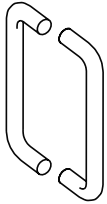
Surface Overhead Door Holder/Stop
Heavy Duty Interior/Exterior Applications

SOLID DOOR PULLS - ALUMINUM, BRASS, or STAINLESS STEEL



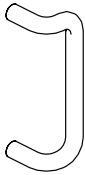
STRAIGHT DOOR PULL- 1" DIAMETER

Part No.	Materials	Projection	CTC	Overall
2A	1" Rnd	2 3/4"	8"	9"
2C	1" Rnd	2 3/4"	10"	11"
2E	1" Rnd	2 3/4"	12"	13"



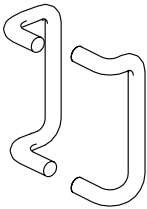
STRAIGHT PULL SETS- 1" DIAMETER

Part No.	Materials	Projection	CTC	Overall
2AS	1" Rnd	2 3/4"	8"	9"
2CS	1" Rnd	2 3/4"	10"	11"
2ES	1" Rnd	2 3/4"	12"	13"



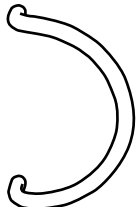
OFFSET DOOR PULL- 1" DIAMETER

Part No.	Materials	Projection	CTC	Overall	Offset
4B	1" Rnd	2 3/4"	9"	10"	2 3/4"
4C	1" Rnd	2 3/4"	10"	11"	2 3/4"
4E	1" Rnd	2 3/4"	12"	13"	2 3/4"



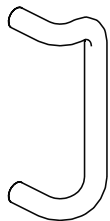
OFFSET PULL SETS- 1" DIAMETER

Part No.	Materials	Projection	CTC	Overall	Offset
4BS	1" Rnd	2 3/4"	9"	10"	2 3/4"
4CS	1" Rnd	2 3/4"	10"	11"	2 3/4"
4ES	1" Rnd	2 3/4"	12"	13"	2 3/4"



CUSTOM "C" PULL- 1" DIAMETER

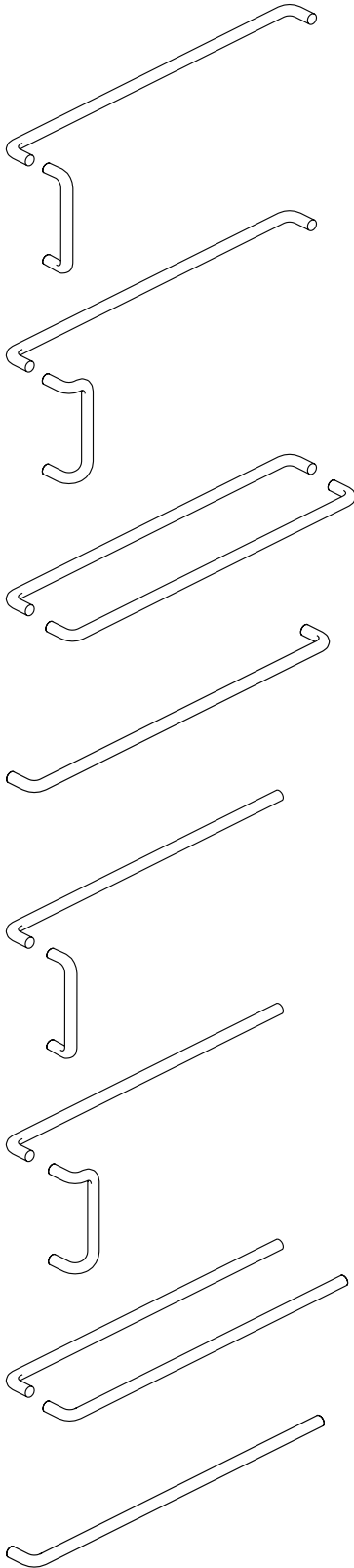
Part No.	Materials	Projection	CTC	Overall	Offset
C12E	1" Rnd	3"	12"	13"	8"



OFFSET DOOR PULL- 1-1/4" DIAMETER

Part No.	Materials	Projection	CTC	Overall	Offset
M4E	1-1/4" Rnd	3-1/4"	12"	13-1/4"	5"
M4K	1-1/4" Rnd	3-1/4"	18"	19-1/4"	5"

1" DIAMETER SOLID PUSH BAR & PULL SETS



STRAIGHT PULL & DOUBLE BEND PUSH BAR SET

HANDLE/STRAIGHT CTC	DOUBLE BEND PUSH BAR CTC WITH 2-1/4" PROJECTION		
	33"	39"	VARIABLE
8"	2A233	2A239	2A23V
10"	2C233	2C239	2C23V
12"	2E233	2E239	2E23V

OFFSET PULL & DOUBLE BEND PUSH BAR SET

HANDLE/OFFSET CTC	DOUBLE BEND PUSH BAR CTC WITH 2-1/4" PROJECTION		
	33"	39"	VARIABLE
9"	4B233	4B239	4B23V
10"	4C233	4C239	4C23V
12"	4E233	4E239	4E23V

DOUBLE BEND PUSH BAR SET

DOUBLE BEND PUSH BAR CTC WITH 2-1/4" PROJECTION		
33"	39"	VARIABLE
233S	239S	23VS

DOUBLE BEND PUSH BAR

DOUBLE BEND PUSH BAR CTC WITH 2-1/4" PROJECTION		
33"	39"	VARIABLE
233	239	23V

STRAIGHT PULL & SINGLE BEND PUSH BAR SET

HANDLE/STRAIGHT CTC	SINGLE BEND PUSH BAR CTC WITH 2-1/4" PROJECTION		
	33"	39"	VARIABLE
8"	2A133	2A139	2A13V
10"	2C133	2C139	2C13V
12"	2E133	2E139	2E13V

OFFSET PULL & SINGLE BEND PUSH BAR SET

HANDLE/OFFSET CTC	SINGLE BEND PUSH BAR CTC WITH 2-1/4" PROJECTION		
	33"	39"	VARIABLE
9"	4B133	4B139	4B13V
10"	4C133	4C139	4C13V
12"	4E133	4E139	4E13V

SINGLE BEND PUSH BAR SET

SINGLE BEND PUSH BAR CTC WITH 2-1/4" PROJECTION		
33"	39"	VARIABLE
133S	139S	13VS

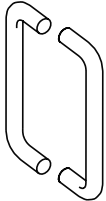
SINGLE BEND PUSH BAR

SINGLE BEND PUSH BAR CTC WITH 2-1/4" PROJECTION		
33"	39"	VARIABLE
133	139	13V



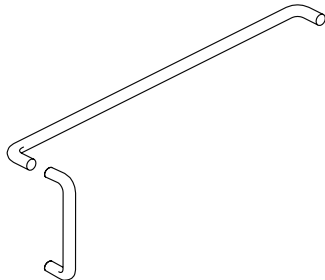
STRAIGHT DOOR PULL- 1" DIAMETER

Part No.	Materials	Projection	CTC	Overall
TG2A	1" Rnd	2 3/4"	8"	9"
TG2C	1" Rnd	2 3/4"	10"	11"
TG2E	1" Rnd	2 3/4"	12"	13"



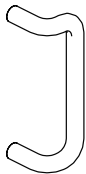
STRAIGHT PULL SETS- 1" DIAMETER

Part No.	Materials	Projection	CTC	Overall
TG2AS	1" Rnd	2 3/4"	8"	9"
TG2CS	1" Rnd	2 3/4"	10"	11"
TG2ES	1" Rnd	2 3/4"	12"	13"



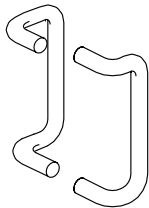
STRAIGHT PULL & DOUBLE BEND PUSH BAR SET

HANDLE/STRAIGHT CTC	DOUBLE BEND PUSH BAR CTC WITH 2-1/4" PROJECTION
8"	27"
10"	39"
12"	
	TG2A227
	TG2C227
	TG2E227
	2A239
	2C239
	2E239



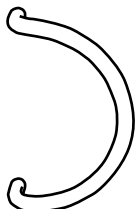
OFFSET DOOR PULL- 1" DIAMETER

Part No.	Materials	Projection	CTC	Overall	Offset
T4B	1" Rnd	2 3/4"	9"	10"	2 3/4"
T4C	1" Rnd	2 3/4"	10"	11"	2 3/4"
T4E	1" Rnd	2 3/4"	12"	13"	2 3/4"



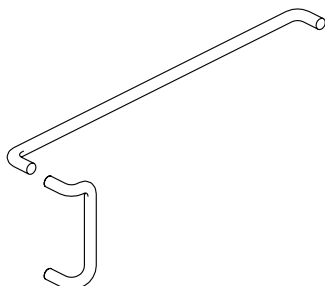
OFFSET PULL SETS- 1" DIAMETER

Part No.	Materials	Projection	CTC	Overall	Offset
T4BS	1" Rnd	2 3/4"	9"	10"	2 3/4"
T4CS	1" Rnd	2 3/4"	10"	11"	2 3/4"
T4ES	1" Rnd	2 3/4"	12"	13"	2 3/4"



CUSTOM "C" PULL- 1" DIAMETER

Part No.	Materials	Projection	CTC	Overall	Offset
TC12E	1" Rnd	3"	12"	13"	8"



OFFSET PULL & DOUBLE BEND PUSH BAR SET

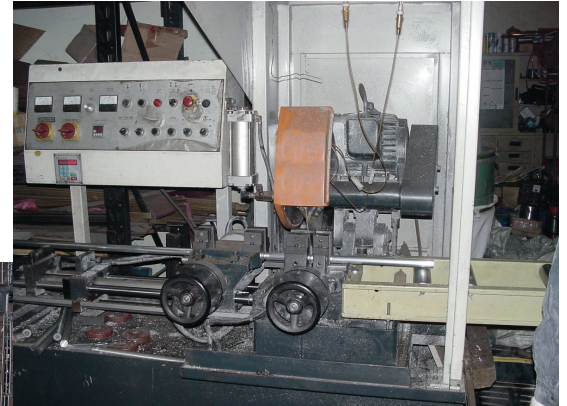
HANDLE/OFFSET CTC	DOUBLE BEND PUSH BAR CTC WITH 2-1/4" PROJECTION
9"	33"
10"	
12"	
	T4B233
	T4C233
	T4E233



Established in 1985, the Harnisch Company is a leading manufacturer of architectural door hardware. We specialize in supplying leading OEM manufacturers throughout North America, Europe, and Asia.

Products include:

- UL listed flush and surface bolts
- Handles and push bars
- Heavy-duty 3/4" offset pivots
- Overhead holders
- Wall and floor stops
- Roller latches



Grade One Cycle Testing



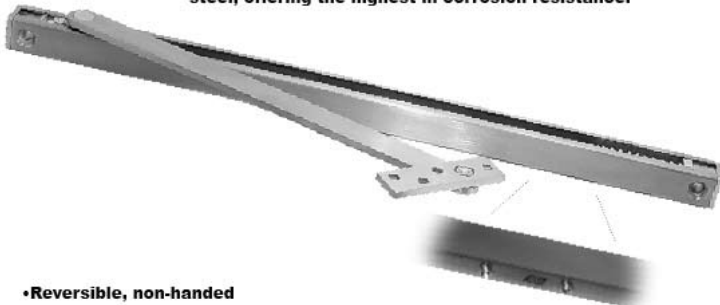
We manufacture our products to meet or exceed AAMA, BHMA, and ANSI specifications. Additionally, we produce many types of custom designed, patented, and proprietary products.

Our emphasis on quality products is supported by our state of the art equipment and facilities. Tooling capabilities include: forging, investment casting, stamping, bending and extruding. We provide US Code and BHMA finishes. Our anodizing facility yields class one electrolytically deposited finishes that meet or exceed AAMA 611-98 specifications.

HARNISCH COMPANY
Architectural Hardware

Overhead Door Holders

- Heavy-duty channel and slide arm design to meet heavy traffic, commercial applications
- Meets all ANSI and BHMA standards
- All models are produced in 300 series stainless steel, offering the highest in corrosion resistance.



On/Off knob

- Reversible, non-handed
- Stainless steel channel and arm
- Surface mounting
- On/off knob on hold-open models
- Stop or hold-open function
- Torx screws are available for security applications
- Standard architectural finishes (629, 630) US32 and US32D

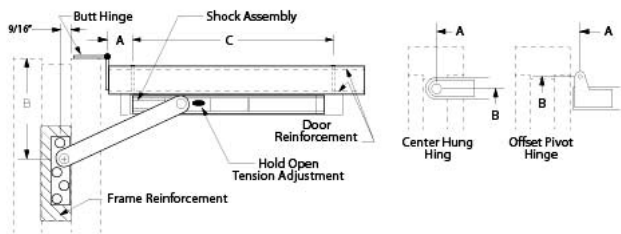
9MH Series Hold-Open

Unit features a selective hold-open mechanism, easily controlled by a knob on the underside of the channel. Converts to stop-only.

9MS Series Stop Only

Unit features a rugged shock absorbing mechanism.

www.harnisch.net (714) 841-4486 FAX (714) 841-9635 FAX (800) 258-8780



9MS-32D			9MS-32D	9MH-32D	
9MH-32D			Heavy Duty Surface Overhead Door Holder	Heavy Duty Surface Overhead Door Holder	
Door Opening			Stop Only	Hold Open	
Butt Hinge Offset Pivot	Center Hung	Set up #	Part #	Part #	<ul style="list-style-type: none"> • For Interior and Exterior Single Acting Doors • Door Opening Between 85° and 110° • Door Thickness Between 1-3/4" to 2-1/4"
28" - 29-15/16"	30" - 33-15/16"	Set up #1	9MS1	9MH1	
30" - 31-15/16"	34" - 35-15/16"	Set up #2	9MS2	9MH2	
32" - 35-15/16"	38" - 38-15/16"	Set up #3	9MS3	9MH3	
36" - 39-15/16"	39" - 40-15/16"	Set up #4	9MS4	9MH4	
40" - 41-15/16"	41" - 44-15/16"	Set up #5	9MS5	9MH5	
42" - 43-15/16"	45" - 46-15/16"	Set up #6	9MS6	9MH6	
44" - and up	47" - and up	Set up #7	9MS7	9MH7	

BHMA/ANSI Federal Specification Cross Reference:

Harnisch Company	BHMA	ANSI	Federal Specification
9MH1/9MH7	CO2511	156.8	1181 (Hold-open)
9MS1/9MS7	CO2541	156.8	1181A (Stop)



www.harnisch.net (714) 841-4486 FAX (714) 841-9635 FAX (800) 258-8780
7651 Woodwind Drive • Huntington Beach • CA 92647