

Market Dept

Tel: +86-833-2150227
Fax: +86-28-87958851
Email: lrc_market@lrc.cn

International Sales Dept

Tel:+86-833-2122502
Fax:+86-833-2139045
Email: lrc.oversea@lrc.cn

HongKong & TaiWan Sales Dept

Tel:+86-833-2150342
Fax:+86-833-2139045
E-mail: lrc.twhk@lrc.cn

Suzhou Office

Tel: +86-512-6536 1110
Fax: +86-512-6807 8611
E-mail: lrc.echina@lrc.cn

Shenzhen Office

Tel: +86-755-8327 7701/8327 6423
Fax: +86-755-8320 0905
E-mail: lrc.schina@lrc.cn

Dongguan Office

Tel/Fax: +86-769-2238 1239
E-mail: lrc.schina@lrc.cn

Shunde Office

Tel/Fax: +86-757-2661 0944
E-mail: lrc.schina@lrc.cn

Beijing Office

Tel: +86-10-8495 9510
E-mail: lrc.nchina@lrc.cn

Qingdao Office

Tel/Fax:+86-532-8363 2570
E-mail: lrc.nchina@lrc.cn

Changsha Office

Tel/Fax:+86-731-8886 5605
E-mail: lrc.echina@lrc.cn

Mianyang Office

Tel/Fax: +86-816-2530 067
E-mail: lrc.echina@lrc.cn

市场部

电 话: 0833-2150227
传 真: 028-87958851
邮 箱: lrc_market@lrc.cn

国际销售

电 话: 0833-2122502
传 真: 0833-2139045
邮 箱: lrc.oversea@lrc.cn

港台销售

电 话: 0833-2150342
传 真: 0833-2139045
邮 箱: lrc.twhk@lrc.cn

苏州办事处

电 话: 0512-6536 1110
传 真: 0512-6807 8611
邮 箱: lrc.echina@lrc.cn

深圳办事处

电 话: 0755-8327 7701/8327 6423
传 真: 0755-8320 0905
邮 箱: lrc.schina@lrc.cn

东莞办事处

电话/传真: 0769-2238 1239
邮 箱: lrc.schina@lrc.cn

顺德办事处

电电话/传真: 0757-2661 0944
邮 箱: lrc.schina@lrc.cn

北京办事处

电话/传真: 010-8495 9510
邮 箱: lrc.nchina@lrc.cn

青岛办事处

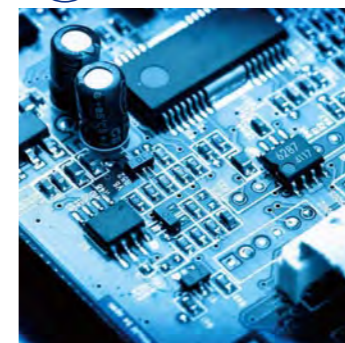
电话/传真: 0532-8363 2570
邮 箱: lrc.nchina@lrc.cn

长沙办事处

电话/传真: 0731-8886 5605
邮 箱: lrc.cchina@lrc.cn

绵阳办事处

电话/传真: 0816-2530 067
邮 箱: lrc.cchina@lrc.cn



产品目录

2018-2019 PRODUCTS CATALOGUE

公司地址: 中国.四川.乐山市人民西路287号
邮 编: 614000 Zip Code:614000

Address: 287West People Road,Leshan,Sichuan,China
公司主页: <http://www.lrc.cn>



大规模半导体生产基地

World Class Comprehensive Electronic Enterprise
Large professional electronic group majoring in the manufacturing of semiconductors products



Company Introduction

乐山无线电股份有限公司创建于1970年, 是从事半导体器件制造的大型专业电子企业, 2001年起成为中国电子信息百强企业。

旗下拥有多家关联企业: 1995年与摩托罗拉创建的合资工厂--乐山菲尼克斯半导体有限公司, 目前已成为亚洲著名的年产超过730亿支的大规模半导体器件生产基地, 总投资超过5亿美元; 2009年独资创立了成都先进功率半导体有限公司, 主要规划为SMD及其他新型封装器件, 一期项目总投资额约1亿美元。

Founded in 1970, Leshan Radio Company Ltd. (LRC) is a large professional electronic group majoring in the manufacturing of semiconductors products. LRC has been recognized as one of the Top-100 Electronic & Information Enterprises by the Ministry of China Information Industry since 2001.

LRC has several affiliated companies, of which the joint venture --Leshan Phoenix Semiconductor Co., Ltd. (LPS), which was set up in 1995 with Motorola, has grown into a famous large scale semiconductor manufacturing base in Asia, with an annual capacity of over 73 billion units, and total investment of over 500 million USD. Founded in 2009, Chengdu Advanced Power Semiconductor Co., Ltd (APS) -- awfully owned subsidiary of LRC, mainly focused on the manufacturing of SMD and other new package types. The total investment in its first phase project is about 100 million USD.

憧憬 VISION

建设世界级综合电子企业
Build World Class Comprehensive Electronic Enterprise

使命 MISSION

以最低的成本制造出世界质量的半导体产品, 以满足国内外用户的需要。
Manufacture World class quality semiconductor products with lowest cost to meet the demand of customers at home and abroad.

公司资质 Company Certificate



产品应用



- | | | | |
|------------------------------|-----------------------------|--------------------------------|----------------------|
| ■ 开关二极管 | ■ 稳压二极管 | ■ 整流二极管 | ■ 肖特基二极管 |
| ■ 桥式整流器 | ■ TVS/ESD保护器件 | ■ 通用放大三极管 | ■ 开关三极管 |
| ■ 带阻三极管 | ■ MOSFET | ■ 通用运放比较器 | ■ 可编程电压基准 |
| ■ 三端稳压器 | ■ 低压差稳压器 | ■ 白光驱动 | ■ LED照明 |
| ■ DC/DC | ■ AC/DC | ■ 单门逻辑 | ■ 达林顿驱动 |
| ■ 音频放大 | ■ 模拟开关 | ■ 电压检测/复位 | ■ EEPROM存储器 |
| ■ Switching Diodes | ■ Zener Diodes | ■ Rectifier Diodes | ■ Schottky Diodes |
| ■ Bridge Rectifiers | ■ TVS /ESD Protectives | ■ General Purpose Transistors | |
| ■ Switching Transistors | ■ Bias Resistor Transistors | ■ MOSFET | |
| ■ Amplifiers and Comparators | | ■ Voltage Reference Regulators | |
| ■ General Voltage Regulators | ■ LDO | ■ WLED Drivers | ■ LED Lighting |
| ■ DC/DC | ■ AC/DC | ■ One-Gate Logic | ■ Peripheral Drivers |
| ■ Audio Power Amplifiers | ■ Analog Switch | ■ V-Detector/Reset | ■ EEPROM |





DISCLAIMER

We commit that all series of products supplied by LRC meet the requirements of EU RoHS and REACH regulations, and product lead is of PB-free plating. LRC has full capability to provide halogen-free products and all LRC semiconductor devices are of halogen-free.

(Except for those customized products on which customers have special requirement)

“S-“ prefix was added for automotive products. For detailed information on automotive product types in this product catalogue, please refer to the Product Manager.

The product information and the selection guides facilitate the selection of LRC best suited devices for application in your product(s) as per your requirement. It is recommended that you completely review the Data Sheet(s) so as to confirm that the Device(s) meet the performance parameters for your application. The information furnished in this LRC products catalogue, due to the constraint of time and certain conditions, may not be updated timely and is only for customer's reference. Therefore, LRC does not assume responsibility arising from inaccuracies or incomplete information. If necessary, customer is requested to contact LRC service support for confirmation and accurate information. Furthermore, LRC does not assume liability whatsoever, arising out of the improper application or use of any LRC product; neither does it convey any license under its patent rights nor rights of other intellectual properties. LRC strives for continuous improvement and reserves the right to change the specifications of its products without prior notice.

Tel: (86)-833-2150227 Email: lrc_market@lrc.cn

声 明

我们承诺LRC的全部产品系列均符合欧盟RoHS和REACH法规要求，并且产品引脚部分均为无铅电镀。LRC致力于半导体产品的无卤化，现已具备全部封装/系列提供无卤产品的能力。（对于客户特殊要求的部分定制产品除外）

产品目录中可用于汽车电子的产品型号请咨询产品经理，针对汽车电子的产品型号加“S-”前缀。

该产品信息和选择指导便于客户按自身产品应用要求选择LRC最适用之产品。我们建议您先完整阅读我们的数据文件，以确定LRC产品的性能参数满足您的应用要求。LRC的产品目录所提供的信息由于时间和条件的限制不一定是最新，仅供客人参考，由此LRC不承担因信息不准确或不完整所造成的责任，如有需要，务请向相关服务窗口确认和索取准确信息。此外，LRC不承担任何因LRC产品不当应用所造成的责任，LRC不转让其专利权下的或其他知识产权下的任何许可。LRC致力于持续改进，保留在未预先通知客户前变更产品规格的权力。

电话：+86-833-2150227

电子邮箱：lrc_market@lrc.cn



目 录

CONTENT

开关二极管 SWITCHING DIODES.....	1
1. 2 Pin Surface Mount Switching Diodes	1
2. 3 Pin Surface Mount Switching Diodes	1
3. 6 Pin Surface Mount Switching Diodes	2
肖特基二极管 SCHOTTKY DIODES	3
1. 2 Pin Surface Mount Schottky Diodes	3
2. 3 Pin Surface Mount Schottky Diodes	12
3. 6 Pin Surface Mount Schottky Diodes	13
稳压二极管 ZENER DIODES	14
1. 2 Pin Surface Mount Zener Diodes	14
2. 3 Pin Surface Mount Zener Diodes	27
3. Plastic Sealed Axial Zener Diodes	31
整流二极管 RECTIFIER DIODES	32
1. 2 Pin Rectifier Diodes	32
瞬态电压抑制器 TRANSIENT VOLTAGE SUPPRESSOR	48
1. Transient Voltage Suppressor	48
ESD保护 ESD PROTECTION	62
1. General ESD/TVS Devices	62
2. ESD/Surge Protection	66
3. CAN Bus Protection	66
通用三极管 GENERAL PURPOSE TRANSISTORS	67
1. 3 Pin General Purpose Transistors	67
2. 6 Pin General Purpose Transistors	71
3. 8 Pin General Purpose Transistors	71
开关三极管 SWITCHING TRANSISTORS.....	72
1. 3 Pin Surface Mount General Purpose Switching Transistors.....	72
2. 6 Pin Surface Mount General Purpose Switching Transistors.....	72
带阻三极管 BIAS RESISTOR TRANSISTORS	73
1. 3 Pin Surface Mount Bias Resistor Transistors.....	73
2. 5 Pin Surface Mount Bias Resistor Transistors.....	77
3. 6 Pin Surface Mount Bias Resistor Transistors.....	77
场效应管 MOS FETs	79
1. 3 Pin Surface Mount MOS FETs	79
2. 6 Pin Surface Mount MOS FETs	81
3. 8 Pin Surface Mount MOS FETs	81
4. DFN MOS FET	81

复合三极管 COMPOSITE COMPONENTS	83
1. COMPOSITE COMPONENTS	83
桥式整流器 BRIDGE RECTIFIERS	84
1. 0.5-0.8A General Purpose Bridge Rectifiers	84
2. ABS201-ABS210 Series General Purpose Bridge Rectifiers	85
3. 1.5-3.0A STSB Series Surface Mount Single Phase Bridge Rectifiers	86
4. 3.0-6.0A TSB Series Surface Mount Single Phase Bridge Rectifiers	89
5. 1.0-2.0A DB/DBS Series Dual-in-line Package General Purpose Bridge Rectifiers	90
6. 2.0-4.0A GBL Series SIP Bridge Rectifiers	92
7. 2.0-4.0A DKB/KBP Series SIP Bridge Rectifiers	93
8. 4.0-25A GBU Series Single-in-line Package Bridge Rectifiers	94
9. 4.0-10A D3/D4/KBJ Series Single-in-line Package Bridge Rectifiers	96
10. 6.0-35A D5~35SB Series Single-in-line Package Bridge Rectifiers	97
11. 15A S15 Series Square Bridge Rectifiers	99
12. 25-50A S25~MP50 Series Square Bridge Rectifiers	100
13. 15-35A S15W~MP35W Series Square Bridge Rectifiers	101
14. 15-50A S15M~MP50M Series Three-Phase Bridge Rectifiers	102
15. 50-200A 3QL Series Three-Phase Bridge Rectifiers	103
16. 30A DF Series Three-Phase Bridge Rectifiers	104
17. 25-50A PSD Series Three-Phase Bridge Rectifiers	105
18. 25-50A PSD Series Three-Phase Bridge Rectifiers	106
19. 15-50A D15-50SBLD Low VF Series Single-in-line Package Bridge Rectifiers	107
20. 25-50A D25-50SBLM Low Thermal Conductivity Series Single-in-line Package Bridge Rectifiers	108
SOLAR MODULE	109
1. SSM Series Solar Module	109
集成电路 INTEGRATED CIRCUIT	110
1. DC-DC	110
2. Amplifiers and Comparators	110
3. Voltage References	111
4. V-Detector/Reset	112
5. Low Dropout Voltage Regulators	112
6. Li-ion Battery Charger	112
7. Audio Power Amplifiers	112
8. Analog Switch	113
9. Peripheral Drivers	113
10. Three Terminal Regulators	113
11. One-Gate Logic	114
11.1 CMOS input logic	114
11.2 CMOS input logic with Open Drain Output	114
11.3 CMOS/TTL input compatible logic	114
11.4 CMOS/TTL input compatible logic with Open Drain Output	115
12. EEPROM	115
13. Hall Switch	115
14. SPI Nor Flash	115
15. HIGH FREQUENCY TRANSISTORS	116



封装对照图 SMD PACKAGE OUTLINE COMPARISON.....	117
封装对照表 PACKAGE COMPARISON TABLE.....	118
外型尺寸 DEVICE DIMENSION.....	119
1. DFN0603.....	119
2. SOD-882.....	119
3. SOD-923.....	119
4. DFN1610-2.....	119
5. SOD-723.....	120
6. SOD-523/SC-79.....	120
7. SOD-323/SC-76.....	120
8. SOD-323HE.....	120
9. SOD-123.....	121
10. SOD123-FL.....	121
11. DO-214AC/SMA.....	121
12. SMA-FL.....	121
13. DO-214AA/SMB.....	122
14. SMB-FL.....	122
15. SOT-883.....	122
16. SOT-1123.....	122
17. SOT-723.....	123
18. SC-89.....	123
19. SOT-323/SC-70.....	123
20. SOT23LC.....	123
21. SOT-23/TO-236AB.....	124
22. DFN2020-3.....	124
23. TO-277A.....	124
24. DFN1010.....	124
25. SOT-89-3L.....	125
26. SOT-223.....	125
27. SOT-353 /SC-88A.....	125
28. SOT-23-5.....	125
29. SOT-89-5.....	126
30. DFN2020-6.....	126
31. DFN2020-6D.....	126
32. TSOP-6 / SOT23-6 / SOT26.....	126
33. SC-74.....	127
34. SOT-363 /SC-88.....	127
35. DFN2020-8.....	127
36. DFN3030-8.....	127
37. TSSOP-8.....	138
38. DFN5060.....	128
39. SOP-8.....	128
40. DFN3313.....	128
41. DIP-8.....	129
42. DFN-10.....	129
43. SOP-16.....	129
44. DIP-16.....	130

45. DIP-14	130
46. QFN-16.....	130
47. PLASTIC SEALED AXIAL PACKAGES.....	131
48. TO-92	132
49. TO-220	132
50. TO-252	132
51. TBS	133
52. Mini DB.....	133
53. ABS	133
54. DB	133
55. DBS.....	133
56. STSB.....	133
57. TSB	133
58. GBL.....	134
59. DKB/KBP.....	134
60. GBU.....	134
61. D3/KBJ.....	134
62. D5.....	134
63. S15.....	134
64. PSD3516M.....	135
65. S15W-MP35W.....	135
66. S15M-MP50M.....	135
67. S25-MP50	135
68. 3QL-25	135
69. 3QL-36	135
70. DF.....	136
71. PSD.....	136
72. SSM.....	136
器件索引 DEVICE INDEX.....	137



SWITCHING DIODES

1. 2 Pin Surface Mount Switching Diodes

Device	Device Marking	V _R (V)	I _F (mA)	V _F		I _R		trr (ns)	Package ● Available for automotive applications
				Max (V)	I _F (mA)	Max (μA)	V _R (V)		
L1SS400AST5G	S	80	100	1.2	100	0.1	80	4	DFN0603 ●
LBAS516T1G	6	75	250	0.715	1	1	75	4	SOD-523 ●
LBAS316T1G	Z9	75	250	0.715	1	1	75	4	SOD-323 ●
LBA277T1G	1	35	100	1	10	0.05	25	-	SOD-523 ●
L1N4148WT1G	T4	75	200	1.25	150	2.5	75	4	SOD-123 ●
L1N4148FT1G	T4	75	150	1.25	150	1	75	8	SOD123-FL
L1SS356T1G	B	35	100	1	10	0.01	25	-	SOD-323 ●
LMDL6050T1G	5A	70	200	1.1	100	0.1	50	4	SOD-323
LBAS16HT1G	A6	75	200	1.25	150	1	75	4	SOD-323 ●
LBAS16BST5G	6	75	200	0.715	1	1	75	4	SOD-882 ●
L1SS355T1G	5D	80	100	1.2	100	0.1	80	4	SOD-323 ●
L1SS400CST5G	3	80	100	1.2	100	0.1	80	4	SOD-923 ●
L1SS400GT1G	3	80	100	1.2	100	0.1	80	4	SOD-723
L1SS400T1G	A	80	100	1.2	100	0.1	80	4	SOD-523 ●
L1SS400BST5G	3	80	100	1.2	100	0.1	80	4	SOD-882
LMDL914T1G	5D	100	200	1	10	5	75	4	SOD-323 ●
LBAS20HT1G	JR	200	200	1	200	1	200	50	SOD-323 ●
LBAV3004T1G	34W	240	200	1	100	0.1	240	50	SOD-123 ●
LBAS21HT1G	JS	250	200	1.25	200	0.1	200	50	SOD-323 ●
LBAV21T1G	JS	250	200	1.25	200	0.1	200	50	SOD-123 ●

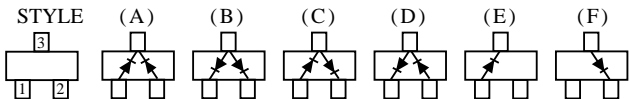
2. 3 Pin Surface Mount Switching Diodes

Device	Device Marking	V _R (V)	I _F (mA)	V _F		I _R		trr (ns)	Style	Package ● Available for automotive applications
				Max (V)	I _F (mA)	Max (μA)	V _R (V)			
LBAV70TT1G	A4	70	200	1.25	150	5	70	6	A	SC-89 ●
LBAV74LT1G	JA	50	200	1	100	0.1	50	4	A	SOT-23
LMBD2838LT1G	MA6	50	100	1	10	0.1	50	4	A	SOT-23
LBAV70LT1G	A4	70	200	1.25	150	2.5	70	6	A	SOT-23 ●
LBAV70WT1G	A4	70	200	1	50	5	70	6	A	SC-70 ●
LBAW56LT1G	A1	70	200	1	50	2.5	70	6	B	SOT-23 ●
LBAW56WT1G	A1	70	200	1.25	150	2.5	70	6	B	SC-70 ●
LMBD6050LT1G	5A	70	200	1.1	100	0.1	50	4	E	SOT-23
LMBD6100LT1G	5BM	70	200	1.1	100	0.1	50	4	A	SOT-23
LBAV99LT1G	A7	70	215	1.25	150	2.5	70	6	C	SOT-23 ●
LBAV99WT1G	A7	70	215	1	50	2.5	70	6	C	SC-70 ●
LMBD2836LT1G	A2X	75	100	1	10	0.1	50	4	B	SOT-23

2.1 3 Pin Surface Mount Switching Diodes

Device	Device Marking	V_R (V)	I_F (mA)	V_F		I_R		trr (ns)	Style	Package	● Available for automotive applications
				Max (V)	I_F (mA)	Max (μ A)	V_R (V)				
LBAS16LT1G	A6	75	200	1	50	1	75	6	E	SOT-23	●
LBAS16TT1G	A6	75	200	1.25	150	1	75	6	E	SC-89	
LBAS16WT1G	A6	75	200	1.25	150	1	75	6	E	SC-70	●
LBAL99WT1G	JF	75	300	1	50	2.5	75	6	F	SC-70	
LDAN202KLT1G	N	80	100	1.2	100	0.1	70	4	A	SOT-23	●
L1SS181LT1G	A3	80	100	1.2	100	0.5	80	4	B	SOT-23	
L1SS184LT1G	B3	80	100	1.2	100	0.5	80	4	A	SOT-23	
L1SS226LT1G	C3	80	100	1.2	100	0.5	80	4	C	SOT-23	
LDAN202UT1G	N	80	100	1.2	100	0.1	70	4	A	SC-70	●
LDAN222T1G	N9	80	100	1.2	100	0.1	70	4	A	SC-89	●
LM1MA142WAT1G	MO	80	150	1.2	100	0.1	75	10	B	SC-70	
LM1MA142WKT1G	MU	80	150	1.2	100	0.1	75	3	A	SC-70	
L1SS360TT1G	A3	80	200	0.75	1	0.1	30	4	B	SC-89	●
LBAS116LT1G	K50	85	125	1	10	0.005	75	3000	E	SOT-23	●
LBAW156LT1G	53	85	215	1	10	0.005	75	3000	B	SOT-23	
LBAV170LT1G	51	85	215	1	10	0.005	75	3000	A	SOT-23	
LBAV199LT1G	52	85	215	1	10	0.005	75	3000	C	SOT-23	●
LMBD7000LT1G	M5C	100	200	1.1	100	1	50	4	C	SOT-23	●
LMBD914LT1G	5D	100	200	1	10	5	75	4	E	SOT-23	
LBAS21CLT1G	JU	250	225	1.25	200	0.1	200	50	A	SOT-23	●
LBAS21LT1G	JS	250	225	1	100	0.1	200	50	E	SOT-23	●
LBAS21SLT1G	JT	250	225	1	100	0.1	200	50	C	SOT-23	
LMBD3004ALT1G	KAD	350	225	1.25	200	0.1	240	50	B	SOT-23	●
LMBD3004CLT1G	KAC	350	225	1.25	200	0.1	240	50	A	SOT-23	●
LMBD3004SLT1G	KAE	350	225	1.25	200	0.1	240	50	C	SOT-23	

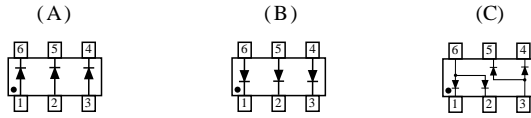
STYLE (A) (B) (C) (D) (E) (F)



3. 6 Pin Surface Mount Switching Diodes

Device	Device Marking	V_R (V)	I_F (mA)	V_F		I_R		trr (ns)	Style	Package	● Available for automotive applications
				Max (V)	I_F (mA)	Max (μ A)	V_R (V)				
LBAS16TW1T1G	KA2	75	300	1.25	150	1.00	75	4	A	SC-88	●
LBAW56DW1T1G	A1	70	200	0.715	1	2.50	70	6	C	SC-88	●
LIMN10T1G	N10	80	300	1.20	100	0.10	70	4	B	SC-88	

STYLE (A) (B) (C)





SCHOTTKY DIODES

1. 2 Pin Schottky Diodes

Device	Device Marking	V _R (V)	I _F (A)	V _F		I _R		Package ● Available for automotive applications
				Max(V)	I _F (A)	Max(μA)	V _R (V)	
LMBR01S30ST5G	S	30	0.1	0.30	0.01	10	10	DFN0603
LMBR4010BST5G	R4	40	1	0.60	1	30	10	SOD-882
LDSR01S30ST5G	R	30	0.1	0.62	0.1	0.35	10	DFN0603
LBAT60ET1G	60	10	3	0.60	1	25	8	SOD323HE
LMBR4010H3T5G	R	40	1	0.60	1	20	40	DFN1608 ●
LRB551BS-30BT5G	X1	30	0.5	0.54	0.5	100	10	SOD-882B
LMBR230ET1G	23	30	2	0.58	2	100	30	SOD323HE ●
LMBR240ET1G	24	40	2	0.50	2	100	40	SOD323HE
LMBR260ET1G	26	60	2	0.60	2	80	60	SOD323HE
LRB520BS-40T5G	D1	40	0.2	0.39	0.01	1	10	SOD-882
LRB551BS-30T5G	X	30	0.5	0.36	0.1	100	10	SOD-882
LRB520S-40T1G	D	40	0.2	0.39	0.01	1	10	SOD-523
LRB521BS-40T5G	T	40	0.2	0.35	0.01	10	10	SOD-882
LRB521CS-40T5G	A	40	0.1	0.35	0.01	10	10	SOD-923
LRB751S-40T1G	5	40	0.03	0.37	0.001	0.5	30	SOD-523
LRB751CS-40T5G	5	30	0.03	0.37	0.001	0.5	30	SOD-923
LRB751G-40T1G	5	30	0.03	0.37	0.001	0.5	30	SOD-723
LRB751V-40T1G	5E	30	0.03	0.37	0.001	0.5	30	SOD-323 ●
LRB751BS-40T5G	5	30	0.03	0.37	0.001	0.5	30	SOD-882
LBAS70BST5G	R	70	0.07	0.41	0.001	0.1	50	SOD-882
LMDL301T1G	4T	30	0.1	0.60	0.01	0.2	25	SOD-323 ●
LRB520CS-30T5G	E	30	0.1	0.45	0.01	0.5	10	SOD-923
LRB520G-30T1G	E	30	0.1	0.45	0.01	0.5	10	SOD-723
LRB521CS-30T5G	F	30	0.1	0.35	0.01	10	10	SOD-923
LRB521G-30T1G	F	30	0.1	0.35	0.01	10	10	SOD-723
LRB521BS-30T5G	F	30	0.2	0.35	0.01	30	10	SOD-882
LRB520BS-30T5G	L	30	0.2	0.60	0.2	1	10	SOD-882
LRB500V-40T1G	5	40	0.1	0.45	0.01	1	10	SOD-323 ●
LRB501V-40T1G	4	40	0.1	0.55	0.1	3	10	SOD-323 ●
LBAS40BST5G	U	40	0.12	0.40	0.001	1	30	SOD-882
LBAT46T1G	Z46	100	0.15	0.25	0.0001	0.5	1.5	SOD-123 ●
LBAT54XV2T1G	JV	30	0.2	0.40	0.01	2	25	SOD-523 ●
LRB520S-30T1G	5J	30	0.2	0.60	0.2	1	10	SOD-523
LRB521S-30T1G	5M	30	0.2	0.50	0.2	30	10	SOD-523

Note: Schottky ESD products is named after the general schottky's name with addix "-E", ESD air discharge is greater than 15 KV, for example:1N5819-E.

1.1 2 Pin Schottky Diodes

Device	Device Marking	V _R (V)	I _F (A)	V _F		I _R		Package ● Available for automotive applications
				Max(V)	I _F (A)	Max(μA)	V _R (V)	
LRB521S-40T1G	S	40	0.2	0.3	0.01	20	10	SOD-523 ●
LBAT54HT1G	JV	30	0.2	0.4	0.01	2	25	SOD-323 ●
LBAT54BST5G	JV	30	0.2	0.24	0.0001	2	25	SOD-882 ●
LMSD103CT1G	S6	20	0.35	0.6	0.2	5	30	SOD-123
LMSD103BT1G	S5	30	0.35	0.6	0.2	5	30	SOD-123
LBAT40HT1G	6S	40	0.35	0.6	0.2	1	25	SOD-323 ●
LMSD103AT1G	S4	40	0.35	0.6	0.2	5	30	SOD-123
LMBR0520T1G	B2	20	0.5	0.385	0.5	250	20	SOD-123
LRB551V-30T1G	D	20	0.5	0.36	0.1	100	20	SOD-323 ●
LMBR0520ET1G	052	20	0.5	0.43	0.5	250	20	SOD323-HE ●
LMBR0530ET1G	053	30	0.5	0.45	0.5	130	30	SOD323-HE
LMBR0540ET1G	054	40	0.5	0.55	0.5	30	40	SOD323-HE ●
LMBR0520FT1G	052	20	0.5	0.43	0.5	250	20	SOD123-FL ●
LMBR0530T1G	B3	30	0.5	0.45	0.5	20	15	SOD-123
LRB550V-30T1G	SD	30	0.5	0.6	0.7	30	10	SOD-323 ●
LMBR0530FT1G	53	30	0.5	0.45	0.5	130	30	SOD123-FL ●
LMBR0540T1G	B4	40	0.5	0.55	0.5	10	20	SOD-123
LMBR0540FT1G	54	40	0.5	0.55	0.5	40	40	SOD123-FL ●
SM120AF	S12	20	1	0.5	1	500	20	SMA-FL ●
SM130AF	S13	30	1	0.5	1	500	30	SMA-FL
SM140AF	S14	40	1	0.5	1	500	40	SMA-FL
SM150AF	S15	50	1	0.7	1	500	50	SMA-FL
SM160AF	S16	60	1	0.7	1	500	60	SMA-FL
SM180AF	S18	80	1	0.85	1	500	80	SMA-FL
SM1100AF	S110	100	1	0.85	1	500	100	SMA-FL
SM1150AF	S115	150	1	0.87	1	100	150	SMA-FL
SM1200AF	S120	200	1	0.87	1	100	200	SMA-FL
LMBR120ET1G	12	20	1	0.55	1	250	20	SOD323-HE ●
LMBR130ET1G	13	30	1	0.55	1	130	30	SOD323-HE ●
LMBR140ET1G	14	40	1	0.55	1	20	40	SOD323-HE ●
LMBR150ET1G	15	50	1	0.7	1	20	50	SOD323-HE
LMBR160ET1G	16	60	1	0.7	1	20	60	SOD323-HE ●
LMBR180ET1G	18	80	1	0.85	1	20	80	SOD323-HE
LMBR1100ET1G	110	100	1	0.85	1	20	100	SOD323-HE
LMBR1150ET1G	115	150	1	0.9	1	20	150	SOD323-HE
LMBR1200ET1G	120	200	1	0.92	1	20	200	SOD323-HE
LMBR120FT1G	12	20	1	0.5	1	500	20	SOD123-FL ●
LMBR130T1G	S3	30	1	0.35	0.1	10	5	SOD-123
LMBR130FT1G	13	30	1	0.5	1	500	30	SOD123-FL ●
LMBR140T1G	S7	40	1	0.56	1	30	40	SOD-123

Note: Schottky ESD products is named after the general schottky's name with addix "-E", ESD air discharge is greater than 15 KV, for example:1N5819-E.



1.2 2 Pin Schottky Diodes

Device	Device Marking	V_R (V)	I_F (A)	V_F		I_R		Package ● Available for automotive applications
				Max(V)	I_F (A)	Max(μ A)	V_R (V)	
LMBR140FT1G	14	40	1	0.55	1	500	40	SOD123-FL ●
LMBR150FT1G	15	50	1	0.7	1	500	50	SOD123-FL
LMBR160T1G	16	60	1	0.7	1	500	60	SOD-123
LMBR160FT1G	16	60	1	0.7	1	500	60	SOD123-FL ●
LMBR180FT1G	18	80	1	0.85	1	500	80	SOD123-FL ●
LMBR1100FT1G	110	100	1	0.85	1	500	100	SOD123-FL ●
LMBR1150FT1G	115	150	1	0.9	1	500	150	SOD123-FL
LMBR1200FT1G	120	200	1	0.92	1	500	200	SOD123-FL ●
SM120A	S12	20	1	0.5	1	500	20	SMA
SM130A	S13	30	1	0.5	1	500	30	SMA
SM140A	S14	40	1	0.5	1	500	40	SMA
SM150A	S15	50	1	0.7	1	500	50	SMA
SM160A	S16	60	1	0.7	1	500	60	SMA
SM180A	S18	80	1	0.85	1	500	80	SMA
SM190A	S19	90	1	0.85	1	500	90	SMA
SM1100A	S110	100	1	0.85	1	500	100	SMA
1N5817	1N5817	20	1	0.45	1	1000	20	DO-41
1N5818	1N5818	30	1	0.55	1	1000	30	DO-41
1N5819	1N5819	40	1	0.6	1	1000	40	DO-41
SB120	SB120	20	1	0.5	1	500	20	DO-41
SB130	SB130	30	1	0.5	1	500	30	DO-41
SB140	SB140	40	1	0.5	1	500	40	DO-41
SB150	SB150	50	1	0.7	1	500	50	DO-41
SB160	SB160	60	1	0.7	1	500	60	DO-41
SB180	SB180	80	1	0.84	1	500	80	DO-41
SB190	SB190	90	1	0.84	1	500	90	DO-41
SB1100	SB1100	100	1	0.84	1	500	100	DO-41
SM220AF	S22	20	2	0.5	2	500	20	SMA-FL
SM230AF	S23	30	2	0.5	2	500	30	SMA-FL
SM240AF	S24	40	2	0.5	2	500	40	SMA-FL
SM250AF	S25	50	2	0.7	2	500	50	SMA-FL
SM260AF	S26	60	2	0.7	2	500	60	SMA-FL
SM280AF	S28	80	2	0.85	2	500	80	SMA-FL
SM2100AF	S210	100	2	0.85	2	500	100	SMA-FL ●
SM2150AF	S215	150	2	0.87	2	100	150	SMA-FL
SM2200AF	S220	200	2	0.87	2	100	200	SMA-FL
SM220BF	S22	20	2	0.5	2	500	20	SMB-FL ●
SM230BF	S23	30	2	0.5	2	500	30	SMB-FL ●
SM240BF	S24	40	2	0.5	2	500	40	SMB-FL
SM250BF	S25	50	2	0.7	2	500	50	SMB-FL

Note: Schottky ESD products is named after the general schottky's name with addx "-E", ESD air discharge is greater than 15 KV, for example:1N5819-E.

1.3 2 Pin Schottky Diodes

Device	Device Marking	V _R (V)	I _F (A)	V _F		I _R		Package ● Available for automotive applications
				Max(V)	I _F (A)	Max(μA)	V _R (V)	
SM260BF	S26	60	2	0.7	2	500	60	SMB-FL
SM280BF	S28	80	2	0.85	2	500	80	SMB-FL
SM2100BF	S210	100	2	0.85	2	500	100	SMB-FL
SM2150BF	S215	150	2	0.87	2	100	150	SMB-FL
SM2200BF	S220	200	2	0.87	2	100	200	SMB-FL
LMBR220FT1G	22	20	2	0.5	2	500	20	SOD123-FL ●
LMBR230FT1G	23	30	2	0.5	2	500	30	SOD123-FL ●
LMBR240FT1G	24	40	2	0.5	2	500	40	SOD123-FL ●
LMBR250FT1G	25	50	2	0.7	2	500	50	SOD123-FL
LMBR260FT1G	26	60	2	0.7	2	500	60	SOD123-FL ●
LMBR280FT1G	28	80	2	0.85	2	500	80	SOD123-FL
LMBR2100FT1G	210	100	2	0.85	2	500	100	SOD123-FL ●
LMBR2150FT1G	215	150	2	0.9	2	500	150	SOD123-FL ●
LMBR2200FT1G	220	200	2	0.92	2	500	200	SOD123-FL ●
SM220A	S22	20	2	0.5	2	500	20	SMA ●
SM230A	S23	30	2	0.5	2	500	30	SMA ●
SM240A	S24	40	2	0.5	2	500	40	SMA ●
SM250A	S25	50	2	0.7	2	500	50	SMA
SM260A	S26	60	2	0.7	2	500	60	SMA
SM280A	S28	80	2	0.85	2	500	80	SMA
SM290A	S29	90	2	0.85	2	500	90	SMA
SM2100A	S210	100	2	0.85	2	500	100	SMA
SM220B	S22	20	2	0.5	2	500	20	SMB
SM230B	S23	30	2	0.5	2	500	30	SMB
SM240B	S24	40	2	0.5	2	500	40	SMB
SM250B	S25	50	2	0.7	2	500	50	SMB
SM260B	S26	60	2	0.7	2	500	60	SMB
SM280B	S28	80	2	0.85	2	500	80	SMB
SM2100B	S210	100	2	0.85	2	500	100	SMB
SM2150B	S215	150	2	0.87	2	100	150	SMB
SM2200B	S220	200	2	0.87	2	100	200	SMB
SB220	SB220	20	2	0.5	2	500	20	DO-15
SB230	SB230	30	2	0.5	2	500	30	DO-15
SB240	SB240	40	2	0.5	2	500	40	DO-15
SB250	SB250	50	2	0.7	2	500	50	DO-15
SB260	SB260	60	2	0.7	2	500	60	DO-15
SB280	SB280	80	2	0.84	2	500	80	DO-15
SB290	SB290	90	2	0.84	2	500	90	DO-15
SB2100	SB2100	100	2	0.84	2	500	100	DO-15

Note: Schottky ESD products is named after the general schottky's name with addix "-E", ESD air discharge is greater than 15 KV, for example:1N5819-E.



1.4 2 Pin Schottky Diodes

Device	Device Marking	V _R (V)	I _F (A)	V _F		I _R		Package ● Available for automotive applications
				Max(V)	I _F (A)	Max(μA)	V _R (V)	
SB2150	SB2150	150	2	0.87	5	100	100	DO-15
SB2200	SB2200	200	2	0.84	5	100	100	DO-15
SM320AF	S32	20	3	0.5	3	500	20	SMA-FL ●
SM330AF	S33	30	3	0.5	3	500	30	SMA-FL
SM340AF	S34	40	3	0.5	3	500	40	SMA-FL
SM350AF	S35	50	3	0.7	3	500	50	SMA-FL
SM360AF	S36	60	3	0.7	3	500	60	SMA-FL
SM380AF	S38	80	3	0.85	3	500	80	SMA-FL
SM3100AF	S310	100	3	0.85	3	500	100	SMA-FL
SM3150AF	S315	150	3	0.87	100	100	150	SMA-FL
SM3200AF	S320	200	3	0.87	100	100	200	SMA-FL
SM320BF	S32	20	3	0.5	3	500	20	SMB-FL
SM330BF	S33	30	3	0.5	3	500	30	SMB-FL
SM340BF	S34	40	3	0.5	3	500	40	SMB-FL
SM350BF	S35	50	3	0.7	3	500	50	SMB-FL
SM360BF	S36	60	3	0.7	3	500	60	SMB-FL ●
SM380BF	S38	80	3	0.85	3	500	80	SMB-FL
SM3100BF	S310	100	3	0.85	3	500	100	SMB-FL
SM3150BF	S315	150	3	0.87	100	100	150	SMB-FL
SM3200BF	S320	200	3	0.87	100	100	200	SMB-FL
LMBR320FT1G	32	20	3	0.5	3	500	20	SOD123-FL ●
LMBR330FT1G	33	30	3	0.5	3	500	30	SOD123-FL ●
LMBR340FT1G	34	40	3	0.5	3	500	40	SOD123-FL ●
LMBR350FT1G	35	50	3	0.7	3	500	50	SOD123-FL ●
LMBR360FT1G	36	60	3	0.7	3	500	60	SOD123-FL ●
LMBR380FT1G	38	80	3	0.85	3	500	80	SOD123-FL
LMBR3100FT1G	310	100	3	0.85	3	500	100	SOD123-FL ●
LMBR3150FT1G	315	150	3	0.9	3	500	150	SOD123-FL
LMBR3200FT1G	320	200	3	0.92	3	500	200	SOD123-FL ●
SM320A	S32	20	3	0.5	3	500	20	SMA
SM330A	S33	30	3	0.5	3	500	30	SMA
SM340A	S34	40	3	0.5	3	500	40	SMA
SM350A	S35	50	3	0.7	3	500	50	SMA
SM360A	S36	60	3	0.7	3	500	60	SMA
SM380A	S38	80	3	0.85	3	500	80	SMA
SM390A	S39	90	3	0.85	3	500	90	SMA
SM3100A	S310	100	3	0.85	3	500	100	SMA
SM320B	S32	20	3	0.5	3	500	20	SMB
SM330B	S33	30	3	0.5	3	500	30	SMB

Note: Schottky ESD products is named after the general schottky's name with addix "-E", ESD air discharge is greater than 15 KV, for example:1N5819-E.

1.5 2 Pin Schottky Diodes

Device	Device Marking	V _R (V)	I _F (A)	V _F		I _R		Package ● Available for automotive applications
				Max(V)	I _F (A)	Max(μA)	V _R (V)	
SM340B	S34	40	3	0.5	3	500	40	SMB
SM350B	S35	50	3	0.7	3	500	50	SMB
SM360B	S36	60	3	0.7	3	500	60	SMB
SM380B	S38	80	3	0.85	3	500	80	SMB
SM3100B	S310	100	3	0.85	3	500	100	SMB
SM3150B	S315	150	3	0.87	100	100	150	SMB
SM3200B	S320	200	3	0.87	100	100	200	SMB
1N5820	1N5820	20	3	0.475	3	2000	20	DO-201AD
1N5821	1N5821	30	3	0.5	3	2000	30	DO-201AD
1N5822	1N5822	40	3	0.53	3	2000	40	DO-201AD
SB320	SB320	20	3	0.5	3	500	20	DO-201AD
SB330	SB330	30	3	0.5	3	500	30	DO-201AD
SB340	SB340	40	3	0.5	3	500	40	DO-201AD
SB350	SB350	50	3	0.7	3	500	50	DO-201AD
SB360	SB360	60	3	0.7	3	500	60	DO-201AD
SB380	SB380	80	3	0.84	3	500	80	DO-201AD
SB390	SB390	90	3	0.84	3	500	90	DO-201AD
SB3100	SB3100	100	3	0.84	3	500	100	DO-201AD
SB3150	SB3150	150	3	0.87	5	100	100	DO-201AD
SB3200	SB3200	200	3	0.84	5	100	100	DO-201AD
SM520AF	S52	20	5	0.5	5	500	20	SMA-FL ●
SM530AF	S53	30	5	0.5	5	500	30	SMA-FL ●
SM540AF	S54	40	5	0.5	5	500	40	SMA-FL ●
SM550AF	S55	50	5	0.7	5	500	50	SMA-FL ●
SM560AF	S56	60	5	0.7	5	500	60	SMA-FL ●
SM580AF	S58	80	5	0.85	5	500	80	SMA-FL
SM5100AF	S510	100	5	0.85	5	500	100	SMA-FL
SM5150AF	S515	150	5	0.87	5	100	150	SMA-FL
SM5200AF	S520	200	5	0.87	5	100	200	SMA-FL
SM520BF	S52	20	5	0.5	5	500	20	SMB-FL
SM530BF	S53	30	5	0.5	5	500	30	SMB-FL
SM540BF	S54	40	5	0.5	5	500	40	SMB-FL
SM550BF	S55	50	5	0.7	5	500	50	SMB-FL
SM560BF	S56	60	5	0.7	5	500	60	SMB-FL
SM580BF	S58	80	5	0.85	5	500	80	SMB-FL
SM5100BF	S510	100	5	0.85	5	500	100	SMB-FL
SM5150BF	S515	150	5	0.87	100	100	150	SMB-FL
SM5200BF	S520	200	5	0.87	100	100	200	SMB-FL
SM520B	S52	20	5	0.5	5	500	20	SMB
SM530B	S53	30	5	0.5	5	500	30	SMB

Note: Schottky ESD products is named after the general schottky's name with addix "-E", ESD air discharge is greater than 15 KV, for example:1N5819-E.



1.6 2 Pin Schottky Diodes

Device	Device Marking	V _R (V)	I _F (A)	V _F		I _R		Package ● Available for automotive applications
				Max(V)	I _F (A)	Max(μA)	V _R (V)	
SM540B	S54	40	5	0.5	5	500	40	SMB
SM550B	S55	50	5	0.7	5	500	50	SMB
SM560B	S56	60	5	0.7	5	500	60	SMB
SM580B	S58	80	5	0.85	5	500	80	SMB
SM5100B	S510	100	5	0.85	5	500	100	SMB
SM5150B	S515	150	5	0.87	100	100	150	SMB
SM5200B	S520	200	5	0.87	100	100	200	SMB
SM520AF-E	S52·	20	5	0.5	5	100	20	SMA-FL
SM530AF-E	S53·	30	5	0.5	5	100	30	SMA-FL
SM540AF-E	S54·	40	5	0.5	5	100	40	SMA-FL
SM550AF-E	S55·	50	5	0.7	5	100	50	SMA-FL
SM560AF-E	S56·	60	5	0.7	5	100	60	SMA-FL
SM580AF-E	S58·	80	5	0.85	5	100	80	SMA-FL
SM5100AF-E	S510·	100	5	0.85	5	100	100	SMA-FL
SM520BF-E	S52·	20	5	0.5	5	500	20	SMB-FL
SM530BF-E	S53·	30	5	0.5	5	500	30	SMB-FL
SM540BF-E	S54·	40	5	0.5	5	500	40	SMB-FL
SM550BF-E	S55·	50	5	0.7	5	500	50	SMB-FL
SM560BF-E	S56·	60	5	0.7	5	500	60	SMB-FL
SM580BF-E	S58·	80	5	0.85	5	500	80	SMB-FL
SM5100BF-E	S510·	100	5	0.85	5	500	100	SMB-FL
SM520B-E	S52·	20	5	0.5	5	500	20	SMB
SM530B-E	S53·	30	5	0.5	5	500	30	SMB
SM540B-E	S54·	40	5	0.5	5	500	40	SMB
SM550B-E	S55·	50	5	0.7	5	500	50	SMB
SM560B-E	S56·	60	5	0.7	5	500	60	SMB
SM580B-E	S58·	80	5	0.85	5	500	80	SMB
SM5100B-E	S510·	100	5	0.85	5	500	100	SMB
SM520A	S52	20	5	0.5	3	500	20	SMA
SM530A	S53	30	5	0.5	3	500	30	SMA
SM540A	S54	40	5	0.5	3	500	40	SMA
SM550A	S55	50	5	0.7	3	500	50	SMA
SM560A	S56	60	5	0.7	3	500	60	SMA
SM580A	S58	80	5	0.85	3	500	80	SMA
SM590A	S59	90	5	0.85	3	500	90	SMA
SM5100A	S510	100	5	0.85	3	500	100	SMA
SBR340	SBR340	40	3	0.55	3	300	40	TO-277A
SBR360	SBR360	60	3	0.7	3	300	60	TO-277A
SBR3100	SBR3100	100	3	0.87	3	15	100	TO-277A
SS3U100	SS3U100	100	3	0.75	3	200	100	TO-277A

Note: Schottky ESD products is named after the general schottky's name with addix "-E", ESD air discharge is greater than 15 KV, for example:1N5819-E.

1.7 2 Pin Schottky Diodes

Device	Device Marking	V _R (V)	I _F (A)	V _F		I _R		Package ● Available for automotive applications
				Max(V)	I _F (A)	Max(μA)	V _R (V)	
SBR540	SBR540	40	5	0.5	5	300	40	TO-277A
SBR560	SBR560	60	5	0.7	5	300	60	TO-277A
SBR5100	SBR5100	100	5	0.87	5	15	100	TO-277A ●
SBR5150	SBR5150	150	5	0.87	5	15	150	TO-277A
SBR5200	SBR5200	200	5	0.87	5	15	200	TO-277A
SS5U100	SS5U100	100	5	0.63	5	200	100	TO-277A
SBR845	SBR845	45	8	0.57	8	200	45	TO-277A
SBR8100	SBR8100	100	8	0.87	8	70	100	TO-277A
SS8U45	SS8U45	45	8	0.47	8	300	45	TO-277A
SS8U60	SS8U60	60	8	0.5	8	100	60	TO-277A
SBR1045	SBR1045	45	10	0.55	10	300	45	TO-277A
SBR1060	SBR1060	60	10	0.7	10	300	60	TO-277A
SBR10100	SBR10100	100	10	0.88	10	300	100	TO-277A
SBR10150	SBR10150	150	10	0.88	10	300	150	TO-277A
SBR10200	SBR10200	200	10	0.88	10	300	200	TO-277A
SBR1045L	SBR1045L	45	10	0.47	10	300	45	TO-277A
SS10U60	SS10U60	60	10	0.5	10	100	60	TO-277A
SBR10100L	SBR10100L	100	10	0.7	10	200	100	TO-277A
SBR1245	SBR1245	45	12	0.55	12	200	45	TO-277A
SBR1260	SBR1260	60	12	0.7	12	200	60	TO-277A
SBR12100	SBR12100	100	12	0.87	12	200	100	TO-277A
SBR12200	SBR12200	200	12	0.9	12	200	200	TO-277A
SBR1545	SBR1545	45	15	0.55	15	300	45	TO-277A
SBR1560	SBR1560	60	15	0.7	15	300	60	TO-277A
SBR15100	SBR15100	100	15	0.88	15	300	100	TO-277A
SBR15200	SBR15200	200	15	0.88	15	300	200	TO-277A
SS15U60	SS15U60	60	15	0.5	15	500	60	TO-277A
SBR2060	SBR2060	60	20	0.7	20	200	60	TO-277A
SB520	SB520	20	5	0.5	5	500	20	DO-201AD
SB530	SB530	30	5	0.5	5	500	30	DO-201AD
SB540	SB540	40	5	0.5	5	500	40	DO-201AD
SB550	SB550	50	5	0.7	5	500	50	DO-201AD
SB560	SB560	60	5	0.7	5	500	60	DO-201AD
SB580	SB580	80	5	0.84	5	500	80	DO-201AD
SB590	SB590	90	5	0.84	5	500	90	DO-201AD
SB5100	SB5100	100	5	0.84	5	500	100	DO-201AD
SB5150	SB5150	150	5	0.87	5	100	150	DO-201AD
SB5200	SB5200	200	5	0.84	5	100	200	DO-201AD
SB820	SB820	20	8	0.55	8	1000	20	DO-201AD
SB830	SB830	30	8	0.55	8	1000	30	DO-201AD
SB840	SB840	40	8	0.55	8	1000	40	DO-201AD

Note: Schottky ESD products is named after the general schottky's name with addix "-E", ESD air discharge is greater than 15 KV, for example:1N5819-E.



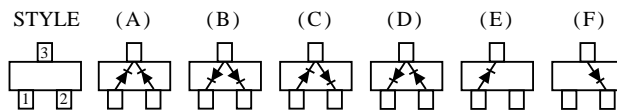
1.7 2 Pin Schottky Diodes

Device	Device Marking	V _R (V)	I _F (A)	V _F		I _R		Package ● Available for automotive applications
				Max(V)	I _F (A)	Max(μA)	V _R (V)	
SB850	SB850	50	8	0.7	8	1000	50	DO-201AD
SB860	SB860	60	8	0.7	8	1000	60	DO-201AD
SB880	SB880	80	8	0.85	8	1000	80	DO-201AD
SB8100	SB8100	100	8	0.85	8	1000	100	DO-201AD
SB820-HE	SB820ESD	20	8	0.6	8	1000	20	DO-201AD
SB830-HE	SB830ESD	30	8	0.6	8	1000	30	DO-201AD
SB840-HE	SB840ESD	40	8	0.6	8	1000	40	DO-201AD
SB850-HE	SB850ESD	50	8	0.7	8	1000	50	DO-201AD
SB860-HE	SB860ESD	60	8	0.7	8	1000	60	DO-201AD
SB880-HE	SB880ESD	80	8	0.84	8	1000	80	DO-201AD
SB8100-HE	SB8100ESD	100	8	0.84	8	1000	100	DO-201AD
SB1035	SB1035	35	10	0.55	10	200	35	R-6
SB1045	SB1045	45	10	0.55	10	200	45	R-6
SB1050	SB1050	50	10	0.6	10	200	50	R-6
SB1060	SB1060	60	10	0.7	10	200	60	R-6
SB1080	SB1080	80	10	0.9	10	200	80	R-6
SB10100	SB10100	100	10	0.9	10	200	100	R-6
SB1235	SB1235	35	12	0.55	12	200	35	R-6
SB1245	SB1245	45	12	0.55	12	200	45	R-6
SB1250	SB1250	50	12	0.6	12	200	50	R-6
SB1260	SB1260	60	12	0.7	12	200	60	R-6
SB1280	SB1280	80	12	0.9	12	200	80	R-6
SB12100	SB12100	100	12	0.9	12	200	100	R-6
SB1535	SB1535	35	15	0.55	15	200	35	R-6
SB1545	SB1545	45	15	0.55	15	200	45	R-6
SB1550	SB1550	50	15	0.6	15	200	50	R-6
SB1560	SB1560	60	15	0.7	15	200	60	R-6
SB1580	SB1580	80	15	0.9	15	200	80	R-6
SB15100	SB15100	100	15	0.9	15	200	100	R-6
SB2035	SB2035	35	20	0.55	20	200	35	R-6
SB2045	SB2045	45	20	0.55	20	200	45	R-6
SB2050	SB2050	50	20	0.6	20	200	50	R-6
SB2060	SB2060	60	20	0.7	20	200	60	R-6
SB2080	SB2080	80	20	0.9	20	200	80	R-6
SB20100	SB20100	100	20	0.9	20	200	100	R-6

Note: Schottky ESD products is named after the general schottky's name with addix "-E", ESD air discharge is greater than 15 KV, for example:1N5819-E.

2. 3 Pin Surface Mount Schottky Diodes

Device	Device Marking	V_R (V)	I_F (mA)	V_F		I_R		Style	Package ● Available for automotive applications	
				Max (V)	I_F (mA)	Max (μ A)	V_R (V)			
LRB706F-40T1G	3J	40	30	0.37	0.001	1	10	A	SC-70	●
LRB715WT1G	3D	40	30	0.37	0.001	1	10	D	SC-89	
LRB411DLT1G	D3E	20	500	0.5	500	30	10	E	SOT-23	●
LRB461WT1G	3B	20	700	0.49	700	200	20	E	SC-70	
LRB491DLT1G	D2E	20	1000	0.45	1000	200	20	E	SOT-23	●
LMBD301LT1G	4T	30	100	0.6	10	0.2	25	E	SOT-23	●
LBAT54ALT1G	B6	30	200	0.4	10	2	25	B	SOT-23	●
LBAT54AWT1G	B7	30	200	0.4	10	2	25	B	SC-70	●
LBAT54CLT1G	5C	30	200	0.4	10	2	25	A	SOT-23	●
LBAT54CWT1G	5C	30	200	0.4	10	2	25	A	SC-70	●
LBAT54LT1G	JV3	30	200	0.4	10	2	25	E	SOT-23	●
LBAT54SLT1G	LD3	30	200	0.4	10	2	25	C	SOT-23	●
LBAT54SWT1G	B8	30	200	0.4	10	2	25	C	SC-70	●
LBAT54WT1G	B4	30	200	0.4	10	2	25	E	SC-70	●
LBAT30LT1G	T30	30	200	0.3	10	500	30	E	SOT-23	
LRB715FT1G	3D	40	30	0.37	1	1	10	A	SC-70	●
LRB421LT1G	D3C	40	100	0.34	10	30	10	E	SOT-23	●
LBAS40-04LT1G	CB	40	120	0.56	10	1	30	C	SOT-23	
LBAS40-05LT1G	45	40	120	0.56	10	1	30	A	SOT-23	●
LBAS40-06LT1G	L2	40	120	0.56	10	1	30	B	SOT-23	
LBAS40LT1G	B1	40	120	0.56	10	1	30	E	SOT-23	●
LBAT40-04LT1G	6S	40	350	0.37	20	1	25	D	SOT-23	
LBAS70-04LT1G	CG	70	70	0.75	10	0.1	50	C	SOT-23	
LBAS70-05LT1G	EH	70	70	0.41	1	0.1	50	A	SOT-23	●
LBAS70-06LT1G	GK	70	70	0.75	10	0.1	50	B	SOT-23	
LBAS70LT1G	BE	70	70	0.75	10	0.1	50	E	SOT-23	●
SBR5100	SBR5100	100	5	0.87	5	15	100		TO-277A	
SBR1045	S1045	45	10	0.55	10	300	45		TO-277A	
SBR1045L	S1045L	45	10	0.47	10	300	45		TO-277A	
SBR12100	SBR12100	100	12	0.7	12	200	100		TO-277A	
SS15U50	SS15U50	50	15	0.5	15	150	50		TO-277A	
SS10U45	SS10U45	45	10	0.47	10	150	45		TO-277A	





3. 6 Pin Surface Mount Schottky Diodes

Device	Device Marking	V_R (V)	I_F (mA)	V_F		I_R		Style	Package ● Available for automotive applications
				Max (V)	I_F (mA)	Max (μ A)	V_R (V)		
LBAT54DW1T1G	SV3	30	200	1.00	100	2	25	A	SC-88
LBAT54TW1T1G	KLA	30	200	1.00	100	2	25	B	SC-88 ●

STYLE (A)



STYLE (B)



Zener Diodes

1. 2 Pin Surface Mount Zener Diodes

Device	Device Marking	Zener voltage				P_D (mW)	Package ● Available for automotive applications
		V_Z (V)			@ I_{ZT} mA		
		Min	Nom	Max			
LBZT52MB3V6T1G	B6	3.53	-	3.67	5	500	SOD-123
LBZT52MB3V9T1G	B7	3.82	-	3.98	5	500	SOD-123
LBZT52MB4V3T1G	BT	4.21	-	4.39	5	500	SOD-123
LBZT52MB4V7T1G	B9	4.61	-	4.79	5	500	SOD-123
LBZT52MB5V1T1G	BA	5	-	5.2	5	500	SOD-123
LBZT52MB5V6T1G	BC	5.49	-	5.71	5	500	SOD-123
LBZT52MB6V2T1G	BE	6.08	-	6.32	5	500	SOD-123
LBZT52MB6V8T1G	BF	6.66	-	6.94	5	500	SOD-123
LBZT52MB7V5T1G	BH	7.35	-	7.65	5	500	SOD-123
LBZT52MB8V2T1G	BJ	8.04	-	8.36	5	500	SOD-123
LBZT52MB9V1T1G	BL	8.92	-	9.28	5	500	SOD-123
LBZT52MB10T1G	B0	9.8	-	10.2	5	500	SOD-123
LBZT52MB11T1G	B1	10.78	-	11.22	5	500	SOD-123
LBZT52MB12T1G	BU	11.76	-	12.24	5	500	SOD-123
LBZT52MB13T1G	BV	12.74	-	13.26	5	500	SOD-123
LBZT52MB15T1G	BW	14.7	-	15.3	5	500	SOD-123
LBZT52MB16T1G	B5	15.68	-	16.32	5	500	SOD-123
LBZT52MB18T1G	BD	17.64	-	18.36	5	500	SOD-123
LBZT52MB20T1G	BG	19.6	-	20.4	5	500	SOD-123
LBZT52MB22T1G	BK	21.56	-	22.44	5	500	SOD-123
LBZT52MB24T1G	BM	23.52	-	24.48	5	500	SOD-123
LBZT52MB27T1G	BN	26.46	-	27.54	5	500	SOD-123
LBZT52MB30T1G	BP	29.4	-	30.6	5	500	SOD-123
LBZT52MB33T1G	BR	32.34	-	33.66	5	500	SOD-123
LBZT52MB36T1G	BS	35.28	-	36.72	5	500	SOD-123
LUDZS3.6MBT1G	B6	3.53	-	3.67	5	200	SOD-323
LUDZS3.9MBT1G	B7	3.82	-	3.98	5	200	SOD-323
LUDZS4.3MBT1G	BT	4.21	-	4.39	5	200	SOD-323
LUDZS4.7MBT1G	B9	4.61	-	4.79	5	200	SOD-323
LUDZS5.1MBT1G	BA	5	-	5.2	5	200	SOD-323
LUDZS5.6MBT1G	BC	5.49	-	5.71	5	200	SOD-323
LUDZS6.2MBT1G	BE	6.08	-	6.32	5	200	SOD-323
LUDZS6.8MBT1G	BF	6.66	-	6.94	5	200	SOD-323
LUDZS7.5MBT1G	BH	7.35	-	7.65	5	200	SOD-323
LUDZS8.2MBT1G	BJ	8.04	-	8.36	5	200	SOD-323
LUDZS9.1MBT1G	BL	8.92	-	9.28	5	200	SOD-323

* rotated 90°C



1.1 2 Pin Surface Mount Zener Diodes

Device	Device Marking	Zener voltage				P_D (mW)	Package ● Available for automotive applications
		V_Z (V)			@ I_{ZT} mA		
		Min	Nom	Max			
LUDZS10MBT1G	B0	9.8	-	10.2	5	200	SOD-323
LUDZS11MBT1G	B1	10.78	-	11.22	5	200	SOD-323
LUDZS12MBT1G	BU	11.76	-	12.24	5	200	SOD-323
LUDZS13MBT1G	BV	12.74	-	13.26	5	200	SOD-323
LUDZS15MBT1G	BW	14.7	-	15.3	5	200	SOD-323
LUDZS16MBT1G	B5	15.68	-	16.32	5	200	SOD-323
LUDZS18MBT1G	BD	17.64	-	18.36	5	200	SOD-323
LUDZS20MBT1G	BG	19.6	-	20.4	5	200	SOD-323
LUDZS22MBT1G	BK	21.56	-	22.44	5	200	SOD-323
LUDZS24MBT1G	BM	23.52	-	24.48	5	200	SOD-323
LUDZS27MBT1G	BN	26.46	-	27.54	5	200	SOD-323
LUDZS30MBT1G	BP	29.4	-	30.6	5	200	SOD-323
LUDZS33MBT1G	BR	32.34	-	33.66	5	200	SOD-323
LUDZS36MBT1G	BS	35.28	-	36.72	5	200	SOD-323
LMSZ4711T1G	EA	25.65	27	28.35	0.05	500	SOD-123
LNZ9F2V4T5G	J	2.28	2.4	2.52	5	200	SOD-923
LNZ9F2V7T5G	E**	2.57	2.7	2.84	5	200	SOD-923
LNZ9F3V0T5G	T**	2.85	3.0	3.15	5	200	SOD-923
LNZ9F3V3T5G	Q	3.14	3.3	3.47	5	200	SOD-923
LNZ9F3V6T5G	3**	3.42	3.6	3.78	5	200	SOD-923
LNZ9F3V9T5G	V**	3.71	3.9	4.1	5	200	SOD-923
LNZ9F4V3T5G	Y**	4.09	4.3	4.52	5	200	SOD-923
LNZ9F4V7T5G	3	4.47	4.7	4.94	5	200	SOD-923 ●
LNZ9F5V1T5G	4	4.85	5.1	5.36	5	200	SOD-923
LNZ9F5V6T5G	5	5.32	5.6	5.88	5	200	SOD-923
LNZ9F6V2T5G	6	5.89	6.2	6.51	5	200	SOD-923
LNZ9F6V8T5G	A*	6.46	6.8	7.14	5	200	SOD-923
LNZ9F7V5T5G	D*	7.13	7.5	7.88	5	200	SOD-923
LNZ9F8V2T5G	E*	7.79	8.2	8.61	5	200	SOD-923
LNZ9F9V1T5G	F*	8.65	9.1	9.56	5	200	SOD-923
LNZ9F10VT5G	J*	9.5	10.0	10.5	5	200	SOD-923
LNZ9F11VT5G	K*	10.45	11.0	11.55	5	200	SOD-923
LNZ9F12VT5G	L*	11.4	12.0	12.6	5	200	SOD-923
LNZ9F13VT5G	P*	12.35	13.0	13.65	5	200	SOD-923
LNZ9F15VT5G	Q*	14.25	15.0	15.75	5	200	SOD-923
LNZ9F16VT5G	R*	15.2	16.0	16.8	5	200	SOD-923
LNZ9F18VT5G	T*	17.1	18.0	18.9	5	200	SOD-923
LNZ9F20VT5G	V*	19	20.0	21	5	200	SOD-923
LNZ9F22VT5G	Y*	20.9	22.0	23.1	5	200	SOD-923
LNZ9F24VT5G	F	22.8	24.0	25.2	5	200	SOD-923

1.2 2 Pin Surface Mount Zener Diodes

Device	Device Marking	Zener voltage				P_D (mW)	Package ● Available for automotive applications	
		V_Z (V)			@ I_{ZT} mA			
		Min	Nom	Max				
LNZ8F2V4T5G	J	2.28	2.4	2.52	5	200	SOD-882	●
LNZ8F2V7T5G	E**	2.57	2.7	2.84	5	200	SOD-882	
LNZ8F3V0T5G	T**	2.85	3.0	3.15	5	200	SOD-882	
LNZ8F3V3T5G	Q	3.14	3.3	3.47	5	200	SOD-882	
LNZ8F3V6T5G	3**	3.42	3.6	3.78	5	200	SOD-882	
LNZ8F3V9T5G	V**	3.71	3.9	4.1	5	200	SOD-882	
LNZ8F4V3T5G	Y**	4.09	4.3	4.52	5	200	SOD-882	
LNZ8F4V7T5G	7	4.47	4.7	4.94	5	200	SOD-882	
LNZ8F5V1T5G	4	4.85	5.1	5.36	5	200	SOD-882	
LNZ8F5V6T5G	5*	5.32	5.6	5.88	5	200	SOD-882	●
LNZ8F6V2T5G	6	5.89	6.2	6.51	5	200	SOD-882	
LNZ8F6V8T5G	A*	6.46	6.8	7.14	5	200	SOD-882	●
LNZ8F7V5T5G	D*	7.13	7.5	7.88	5	200	SOD-882	●
LNZ8F8V2T5G	E*	7.79	8.2	8.61	5	200	SOD-882	
LNZ8F9V1T5G	F*	8.65	9.1	9.56	5	200	SOD-882	
LNZ8F10VT5G	J*	9.5	10.0	10.5	5	200	SOD-882	
LNZ8F11VT5G	K*	10.45	11.0	11.55	5	200	SOD-882	
LNZ8F12VT5G	L*	11.4	12.0	12.6	5	200	SOD-882	
LNZ8F13VT5G	P*	12.35	13.0	13.65	5	200	SOD-882	
LNZ8F15VT5G	Q*	14.25	15.0	15.75	5	200	SOD-882	
LNZ8F16VT5G	R*	15.2	16.0	16.8	5	200	SOD-882	
LNZ8F18VT5G	T*	17.1	18.0	18.9	5	200	SOD-882	
LNZ8F20VT5G	V*	19	20.0	21	5	200	SOD-882	
LNZ8F22VT5G	Y*	20.9	22.0	23.1	5	200	SOD-882	
LNZ8F24VT5G	S	22.8	24.0	25.2	5	200	SOD-882	
LM5Z2V4T1G	00	2.2	2.4	2.6	5	200	SOD-523	●
LM5Z2V7T1G	01	2.5	2.7	2.9	5	200	SOD-523	●
LM5Z3V0T1G	02	2.8	3	3.2	5	200	SOD-523	●
LM5Z3V3T1G	05	3.1	3.3	3.5	5	200	SOD-523	●
LM5Z3V6T1G	06	3.4	3.6	3.8	5	200	SOD-523	●
LM5Z3V9T1G	07	3.7	3.9	4.1	5	200	SOD-523	●
LM5Z4V3T1G	08	4	4.3	4.6	5	200	SOD-523	●
LM5Z4V7T1G	09	4.4	4.7	5	5	200	SOD-523	●
LM5Z5V1T1G	0A	4.8	5.1	5.4	5	200	SOD-523	●
LM5Z5V6T1G	0C	5.2	5.6	6	5	200	SOD-523	●
LM5Z6V2T1G	0E	5.8	6.2	6.6	5	200	SOD-523	●
LM5Z6V8T1G	0F	6.4	6.8	7.2	5	200	SOD-523	●
LM5Z7V5T1G	0G	7	7.5	7.9	5	200	SOD-523	●
LM5Z8V2T1G	0H	7.7	8.2	8.7	5	200	SOD-523	●
LM5Z9V1T1G	0K	8.5	9.1	9.6	5	200	SOD-523	●



1.3 2 Pin Surface Mount Zener Diodes

Device	Device Marking	Zener voltage				P_D (mW)	Package ● Available for automotive applications
		V_Z (V)			@ I_{ZT} mA		
		Min	Nom	Max			
LM5Z10VT1G	0L	9.4	10	10.6	5	200	SOD-523 ●
LM5Z11VT1G	0M	10.4	11	11.6	5	200	SOD-523 ●
LM5Z12VT1G	0N	11.4	12	12.7	5	200	SOD-523 ●
LM5Z13VT1G	0P	12.4	13.25	14.1	5	200	SOD-523 ●
LM5Z15VT1G	0T	14.3	15	15.8	5	200	SOD-523 ●
LM5Z16VT1G	0U	15.3	16.2	17.1	2	200	SOD-523 ●
LM5Z18VT1G	0W	16.8	18	19.1	2	200	SOD-523 ●
LM5Z20VT1G	0Z	18.8	20	21.2	2	200	SOD-523
LM5Z22VT1G	10	20.8	22	23.3	2	200	SOD-523 ●
LM5Z24VT1G	11	22.8	24.2	25.6	2	200	SOD-523 ●
LM5Z27VT1G	12	25.1	27	28.9	2	200	SOD-523
LM5Z30VT1G	14	28	30	32	2	200	SOD-523 ●
LM5Z33VT1G	18	31	33	35	2	200	SOD-523 ●
LM5Z36VT1G	19	34	36	38	2	200	SOD-523
LM5Z39VT1G	20	37	39	41	2	200	SOD-523 ●
LM5Z43VT1G	21	40	43	46	1	200	SOD-523
LM5Z47VT1G	1A	44	47	50	1	200	SOD-523
LM5Z51VT1G	1C	48	51	54	1	200	SOD-523
LM5Z56VT1G	1D	52	56	60	1	200	SOD-523
LM5Z62VT1G	1E	58	62	66	1	200	SOD-523
LM5Z68VT1G	1F	64	68	72	1	200	SOD-523
LM5Z75VT1G	1G	70	75	79	1	200	SOD-523 ●
LEDZ2.4BT1G	22	2.43	2.5	2.63	5	150	SOD-523
LEDZ2.7BT1G	32	2.69	2.8	2.91	5	150	SOD-523
LEDZ3.0BT1G	42	3.01	3.1	3.22	5	150	SOD-523
LEDZ3.3BT1G	52	3.32	3.4	3.53	5	150	SOD-523
LEDZ3.6BT1G	62	3.6	3.7	3.85	5	150	SOD-523
LEDZ3.9BT1G	72	3.89	4.0	4.16	5	150	SOD-523
LEDZ4.3BT1G	82	4.17	4.3	4.43	5	150	SOD-523
LEDZ4.7BT1G	92	4.55	4.7	4.75	5	150	SOD-523
LEDZ5.1BT1G	A2	4.98	5.1	5.2	5	150	SOD-523 ●
LEDZ5.6BT1G	C2	5.49	5.6	5.73	5	150	SOD-523 ●
LEDZ6.2BT1G	E2	6.06	6.2	6.33	5	150	SOD-523
LEDZ6.8BT1G	F2	6.65	6.8	6.93	5	150	SOD-523
LEDZ7.5BT1G	H2	7.28	7.4	7.6	5	150	SOD-523
LEDZ8.2BT1G	J2	8.02	8.2	8.36	5	150	SOD-523
LEDZ9.1BT1G	L2	8.85	9.0	9.23	5	150	SOD-523
LEDZ10BT1G	5	9.77	10.0	10.21	5	150	SOD-523 ●
LEDZ11BT1G	15	10.76	11.0	11.22	5	150	SOD-523
LEDZ12BT1G	25	11.74	12.0	12.24	5	150	SOD-523

1.4 2 Pin Surface Mount Zener Diodes

Device	Device Marking	Zener voltage				P_D (mW)	Package ● Available for automotive applications	
		V_Z (V)			@ I_{ZT} mA			
		Min	Nom	Max				
LEDZ13BT1G	35	12.91	13.2	13.49	5	150	SOD-523	
LEDZ15BT1G	45	14.34	14.7	14.98	5	150	SOD-523	●
LEDZ16BT1G	55	15.85	16.2	16.51	5	150	SOD-523	
LEDZ18BT1G	65	17.56	18.0	18.35	5	150	SOD-523	●
LEDZ20BT1G	75	19.52	20.0	20.39	5	150	SOD-523	
LEDZ22BT1G	85	21.54	22.0	22.47	5	150	SOD-523	
LEDZ24BT1G	95	23.72	24.3	24.78	5	150	SOD-523	
LEDZ27BT1G	A5	26.19	26.9	27.53	2	150	SOD-523	
LEDZ30BT1G	C5	29.19	29.9	30.69	2	150	SOD-523	
LEDZ33BT1G	E5	32.15	33.0	33.79	2	150	SOD-523	
LEDZ36BT1G	F5	35.07	36.0	36.87	2	150	SOD-523	
LNZ9F5V1T5G	4	4.85	5.1	5.36	5	200	SOD-923	
LNZ9F10VT5G	J	9.5	10.0	10.5	5	200	SOD-923	
LNZ9F5V6T5G	5	5.32	5.6	5.88	5	200	SOD-923	
LNZ9F15VT5G	Q	14.25	15.0	15.75	5	200	SOD-923	
LM3Z2V0T1G	WY	1.91	2	2.09	5	200	SOD-323	●
LM3Z2V4T1G	00	2.2	2.4	2.6	5	200	SOD-323	●
LM3Z2V7T1G	01	2.5	2.7	2.9	5	200	SOD-323	●
LM3Z3V0T1G	02	2.8	3	3.2	5	200	SOD-323	●
LM3Z3V3T1G	05	3.1	3.3	3.5	5	200	SOD-323	●
LM3Z3V6T1G	06	3.4	3.6	3.8	5	200	SOD-323	●
LM3Z3V9T1G	07	3.7	3.9	4.1	5	200	SOD-323	●
LM3Z4V3T1G	08	4	4.3	4.6	5	200	SOD-323	●
LM3Z4V7T1G	09	4.4	4.7	5	5	200	SOD-323	●
LM3Z5V1T1G	0A	4.8	5.1	5.4	5	200	SOD-323	●
LM3Z5V6T1G	0C	5.2	5.6	6	5	200	SOD-323	●
LM3Z6V2T1G	0E	5.8	6.2	6.6	5	200	SOD-323	●
LM3Z6V8T1G	0F	6.4	6.8	7.2	5	200	SOD-323	●
LM3Z7V5T1G	0G	7	7.5	7.9	5	200	SOD-323	●
LM3Z8V2T1G	0H	7.7	8.2	8.7	5	200	SOD-323	●
LM3Z9V1T1G	0K	8.5	9.1	9.6	5	200	SOD-323	●
LM3Z10VT1G	0L	9.4	10	10.6	5	200	SOD-323	●
LM3Z11VT1G	0M	10.4	11	11.6	5	200	SOD-323	●
LM3Z12VT1G	0N	11.4	12	12.7	5	200	SOD-323	●
LM3Z13VT1G	0P	12.4	13.25	14.1	5	200	SOD-323	●
LM3Z15VT1G	0T	14.3	15	15.8	5	200	SOD-323	●
LM3Z16VT1G	0U	15.3	16.2	17.1	5	200	SOD-323	●
LM3Z18VT1G	0W	16.8	18	19.1	5	200	SOD-323	●
LM3Z20VT1G	0Z	18.8	20	21.2	5	200	SOD-323	●
LM3Z22VT1G	10	20.8	22	23.3	5	200	SOD-323	●



1.5 2 Pin Surface Mount Zener Diodes

Device	Device Marking	Zener voltage				P_D (mW)	Package ● Available for automotive applications
		V_Z (V)			@ I_{ZT} mA		
		Min	Nom	Max			
LM3Z24VT1G	11	22.8	24.2	25.6	5	200	SOD-323 ●
LM3Z27VT1G	12	25.1	27	28.9	2	200	SOD-323 ●
LM3Z30VT1G	14	28	30	32	2	200	SOD-323 ●
LM3Z33VT1G	18	31	33	35	2	200	SOD-323 ●
LM3Z36VT1G	19	34	36	38	2	200	SOD-323 ●
LM3Z39VT1G	20	37	39	41	2	200	SOD-323 ●
LM3Z43VT1G	21	40	43	46	2	200	SOD-323 ●
LM3Z47VT1G	1A	44	47	50	2	200	SOD-323 ●
LM3Z51VT1G	1C	48	51	54	2	200	SOD-323 ●
LM3Z56VT1G	1D	52	56	60	2	200	SOD-323 ●
LM3Z62VT1G	1E	58	62	66	2	200	SOD-323 ●
LM3Z68VT1G	1F	64	68	72	2	200	SOD-323 ●
LM3Z75VT1G	1G	70	75	79	2	200	SOD-323 ●
LUDZS2.0BT1G	2	2.02	2.1	2.2	5	200	SOD-323 ●
LUDZS2.2BT1G	12	2.22	2.3	2.41	5	200	SOD-323 ●
LUDZS2.4BT1G	22	2.43	2.5	2.63	5	200	SOD-323 ●
LUDZS2.7BT1G	32	2.69	2.8	2.91	5	200	SOD-323 ●
LUDZS3.0BT1G	42	3.01	3.1	3.22	5	200	SOD-323 ●
LUDZS3.3BT1G	52	3.32	3.4	3.53	5	200	SOD-323 ●
LUDZS3.6BT1G	62	3.6	3.7	3.85	5	200	SOD-323 ●
LUDZS3.9BT1G	72	3.89	4.0	4.16	5	200	SOD-323 ●
LUDZS4.3BT1G	82	4.17	4.3	4.43	5	200	SOD-323 ●
LUDZS4.7BT1G	92	4.55	4.7	4.75	5	200	SOD-323 ●
LUDZS5.1BT1G	A2	4.98	5.1	5.2	5	200	SOD-323 ●
LUDZS5.6BT1G	C2	5.49	5.6	5.73	5	200	SOD-323 ●
LUDZS6.2BT1G	E2	6.06	6.2	6.33	5	200	SOD-323 ●
LUDZS6.8BT1G	F2	6.65	6.8	6.93	5	200	SOD-323 ●
LUDZS7.5BT1G	H2	7.28	7.4	7.6	5	200	SOD-323 ●
LUDZS8.2BT1G	J2	8.02	8.2	8.36	5	200	SOD-323 ●
LUDZS9.1BT1G	L2	8.85	9.0	9.23	5	200	SOD-323 ●
LUDZS10BT1G	5	9.77	10.0	10.21	5	200	SOD-323 ●
LUDZS11BT1G	15	10.76	11.0	11.22	5	200	SOD-323 ●
LUDZS12BT1G	25	11.74	12.0	12.24	5	200	SOD-323 ●
LUDZS13BT1G	35	12.91	13.2	13.49	5	200	SOD-323 ●
LUDZS15BT1G	45	14.34	14.7	14.98	5	200	SOD-323 ●
LUDZS16BT1G	55	15.85	16.2	16.51	5	200	SOD-323 ●
LUDZS18BT1G	65	17.56	18.0	18.35	5	200	SOD-323 ●
LUDZS20BT1G	75	19.52	20.0	20.39	5	200	SOD-323 ●
LUDZS22BT1G	85	21.54	22.0	22.47	5	200	SOD-323 ●
LUDZS24BT1G	95	23.72	24.3	24.78	5	200	SOD-323 ●

1.6 2 Pin Surface Mount Zener Diodes

Device	Device Marking	Zener voltage				P_D (mW)	Package ● Available for automotive applications
		V_Z (V)			@ I_{ZT} mA		
		Min	Nom	Max			
LUDZS27BT1G	A5	26.19	26.9	27.53	5	200	SOD-323 ●
LUDZS30BT1G	C5	29.19	29.9	30.69	5	200	SOD-323 ●
LUDZS33BT1G	E5	32.15	33.0	33.79	5	200	SOD-323 ●
LUDZS36BT1G	F5	35.07	36.0	36.87	5	200	SOD-323 ●
LBZT52B2V0T1G	02	2.02	2.1	2.2	5	500	SOD-123
LBZT52B2V2T1G	12	2.22	2.3	2.41	5	500	SOD-123
LBZT52B2V4T1G	22	2.43	2.5	2.63	5	500	SOD-123 ●
LBZT52B2V7T1G	32	2.69	2.8	2.91	5	500	SOD-123
LBZT52B3V0T1G	42	3.01	3.1	3.22	5	500	SOD-123 ●
LBZT52B3V3T1G	52	3.32	3.4	3.53	5	500	SOD-123 ●
LBZT52B3V6T1G	62	3.6	3.7	3.85	5	500	SOD-123 ●
LBZT52B3V9T1G	72	3.89	4.0	4.16	5	500	SOD-123 ●
LBZT52B4V3T1G	82	4.17	4.3	4.43	5	500	SOD-123 ●
LBZT52B4V7T1G	92	4.55	4.7	4.75	5	500	SOD-123 ●
LBZT52B5V1T1G	A2	4.98	5.1	5.2	5	500	SOD-123 ●
LBZT52B5V6T1G	C2	5.49	5.6	5.73	5	500	SOD-123 ●
LBZT52B6V2T1G	E2	6.06	6.2	6.33	5	500	SOD-123 ●
LBZT52B6V8T1G	F2	6.65	6.8	6.93	5	500	SOD-123 ●
LBZT52B7V5T1G	H2	7.28	7.4	7.6	5	500	SOD-123 ●
LBZT52B8V2T1G	J2	8.02	8.2	8.36	5	500	SOD-123 ●
LBZT52B9V1T1G	L2	8.85	9.0	9.23	5	500	SOD-123 ●
LBZT52B10T1G	05	9.77	10.0	10.21	5	500	SOD-123 ●
LBZT52B11T1G	15	10.76	11.0	11.22	5	500	SOD-123
LBZT52B12T1G	25	11.74	12.0	12.24	5	500	SOD-123 ●
LBZT52B13T1G	35	12.91	13.2	13.49	5	500	SOD-123 ●
LBZT52B15T1G	45	14.34	14.7	14.98	5	500	SOD-123 ●
LBZT52B16T1G	55	15.85	16.2	16.51	5	500	SOD-123 ●
LBZT52B18T1G	65	17.56	18.0	18.35	5	500	SOD-123 ●
LBZT52B20T1G	75	19.52	20.0	20.39	5	500	SOD-123 ●
LBZT52B22T1G	85	21.54	22.0	22.47	5	500	SOD-123 ●
LBZT52B24T1G	95	23.72	24.3	24.78	5	500	SOD-123 ●
LBZT52B27T1G	A5	26.19	26.9	27.53	5	500	SOD-123 ●
LBZT52B30T1G	C5	29.19	29.9	30.69	5	500	SOD-123 ●
LBZT52B33T1G	E5	32.15	33.0	33.79	5	500	SOD-123 ●
LBZT52B36T1G	F5	35.07	36.0	36.87	5	500	SOD-123 ●
LBZT52C2V4T1G	WX	2.2	2.4	2.6	5	500	SOD-123 ●
LBZT52C2V7T1G	W1	2.5	2.7	2.9	5	500	SOD-123 ●
LBZT52C3V0T1G	W2	2.8	3	3.2	5	500	SOD-123 ●
LBZT52C3V3T1G	W3	3.1	3.3	3.5	5	500	SOD-123 ●
LBZT52C3V6T1G	W4	3.4	3.6	3.8	5	500	SOD-123 ●



1.7 2 Pin Surface Mount Zener Diodes

Device	Device Marking	Zener voltage				P_D (mW)	Package ● Available for automotive applications
		V_Z (V)			@ I_{ZT} mA		
		Min	Nom	Max			
LBZT52C3V9T1G	W5	3.7	3.9	4.1	5	500	SOD-123 ●
LBZT52C4V3T1G	W6	4	4.3	4.6	5	500	SOD-123 ●
LBZT52C4V7T1G	W7	4.4	4.7	5	5	500	SOD-123 ●
LBZT52C5V1T1G	W8	4.8	5.1	5.4	5	500	SOD-123 ●
LBZT52C5V6T1G	W9	5.2	5.6	6	5	500	SOD-123 ●
LBZT52C6V2T1G	WA	5.8	6.2	6.6	5	500	SOD-123 ●
LBZT52C6V8T1G	WB	6.4	6.8	7.2	5	500	SOD-123 ●
LBZT52C7V5T1G	WC	7	7.5	7.9	5	500	SOD-123 ●
LBZT52C8V2T1G	WD	7.7	8.2	8.7	5	500	SOD-123 ●
LBZT52C9V1T1G	WE	8.5	9.1	9.6	5	500	SOD-123 ●
LBZT52C10T1G	WF	9.4	10	10.6	5	500	SOD-123 ●
LBZT52C11T1G	WG	10.4	11	11.6	5	500	SOD-123 ●
LBZT52C12T1G	WH	11.4	12	12.7	5	500	SOD-123 ●
LBZT52C13T1G	WI	12.4	13	14.1	5	500	SOD-123 ●
LBZT52C15T1G	WJ	13.8	15	15.8	5	500	SOD-123 ●
LBZT52C16T1G	WK	15.3	16	17.1	5	500	SOD-123 ●
LBZT52C18T1G	WL	16.8	18	19.1	5	500	SOD-123 ●
LBZT52C20T1G	WM	18.8	20	21.2	5	500	SOD-123 ●
LBZT52C22T1G	WN	20.8	22	23.3	5	500	SOD-123 ●
LBZT52C24T1G	WO	22.8	24	25.6	5	500	SOD-123 ●
LBZT52C27T1G	WP	25.1	27	28.9	2	500	SOD-123 ●
LBZT52C30T1G	WQ	28	30	32	2	500	SOD-123 ●
LBZT52C33T1G	WR	31	33	35	2	500	SOD-123 ●
LBZT52C36T1G	WS	34	36	38	2	500	SOD-123 ●
LBZT52C39T1G	WT	37	39	41	2	500	SOD-123 ●
LBZT52C43T1G	WU	40	43	46	2	500	SOD-123 ●
LBZT52C47T1G	WV	44	47	50	2	500	SOD-123 ●
LBZT52C51T1G	WW	48	51	54	2	500	SOD-123 ●
LMSZ5221BT1G	C1	2.28	2.4	2.52	20	500	SOD-123 ●
LMSZ5222BT1G	C2	2.38	2.5	2.63	20	500	SOD-123 ●
LMSZ5223BT1G	C3	2.57	2.7	2.84	20	500	SOD-123 ●
LMSZ5224BT1G	C4	2.66	2.8	2.94	20	500	SOD-123 ●
LMSZ5225BT1G	C5	2.85	3	3.15	20	500	SOD-123 ●
LMSZ5226BT1G	D1	3.14	3.3	3.47	20	500	SOD-123 ●
LMSZ5227BT1G	D2	3.42	3.6	3.78	20	500	SOD-123 ●
LMSZ5228BT1G	D3	3.71	3.9	4.1	20	500	SOD-123 ●
LMSZ5229BT1G	D4	4.09	4.3	4.52	20	500	SOD-123 ●
LMSZ5230BT1G	D5	4.47	4.7	4.94	20	500	SOD-123 ●
LMSZ5231BT1G	E1	4.85	5.1	5.36	20	500	SOD-123 ●
LMSZ5232BT1G	E2	5.32	5.6	5.88	20	500	SOD-123 ●

1.8 2 Pin Surface Mount Zener Diodes

Device	Device Marking	Zener voltage				P_D (mW)	Package ● Available for automotive applications	
		V_Z (V)			@ I_{ZT} mA			
		Min	Nom	Max				
LMSZ5233BT1G	E3	5.7	6	6.3	20	500	SOD-123	●
LMSZ5234BT1G	E4	5.89	6.2	6.51	20	500	SOD-123	●
LMSZ5235BT1G	E5	6.46	6.8	7.14	20	500	SOD-123	●
LMSZ5236BT1G	F1	7.13	7.5	7.88	20	500	SOD-123	●
LMSZ5237BT1G	F2	7.79	8.2	8.61	20	500	SOD-123	●
LMSZ5238BT1G	F3	8.27	8.7	9.14	20	500	SOD-123	●
LMSZ5239BT1G	F4	8.65	9.1	9.56	20	500	SOD-123	●
LMSZ5240BT1G	F5	9.5	10	10.5	20	500	SOD-123	●
LMSZ5241BT1G	H1	10.45	11	11.55	20	500	SOD-123	●
LMSZ5242BT1G	H2	11.4	12	12.6	20	500	SOD-123	●
LMSZ5243BT1G	H3	12.35	13	13.65	9.5	500	SOD-123	●
LMSZ5244BT1G	H4	13.3	14	14.7	9	500	SOD-123	●
LMSZ5245BT1G	H5	14.25	15	15.75	8.5	500	SOD-123	●
LMSZ5246BT1G	J1	15.2	16	16.8	7.8	500	SOD-123	●
LMSZ5247BT1G	J2	16.15	17	17.85	7.4	500	SOD-123	●
LMSZ5248BT1G	J3	17.1	18	18.9	7	500	SOD-123	●
LMSZ5250BT1G	J5	19	20	21	6.2	500	SOD-123	●
LMSZ5251BT1G	K1	20.9	22	23.1	5.6	500	SOD-123	●
LMSZ5252BT1G	K2	22.8	24	25.2	5.2	500	SOD-123	●
LMSZ5253BT1G	K3	23.75	25	26.25	5	500	SOD-123	●
LMSZ5254BT1G	K4	25.65	27	28.35	4.6	500	SOD-123	●
LMSZ5255BT1G	K5	26.6	28	29.4	4.5	500	SOD-123	●
LMSZ5256BT1G	M1	28.5	30	31.5	4.2	500	SOD-123	●
LMSZ5257BT1G	M2	31.35	33	34.65	3.8	500	SOD-123	●
LMSZ5258BT1G	M3	34.2	36	37.8	3.4	500	SOD-123	●
LMSZ5259BT1G	M4	37.05	39	40.95	3.2	500	SOD-123	●
LMSZ5260BT1G	M5	40.85	43	45.15	3	500	SOD-123	●
LMSZ5261BT1G	N1	44.65	47	49.35	2.7	500	SOD-123	●
LMSZ5262BT1G	N2	48.45	51	53.55	2.5	500	SOD-123	●
LMSZ5263BT1G	N3	53.2	56	58.8	2.2	500	SOD-123	●
LMSZ5264BT1G	N4	57	60	63	2.1	500	SOD-123	●
LMSZ5265BT1G	N5	58.9	62	65.1	2	500	SOD-123	●
LMSZ5266BT1G	P1	64.6	68	71.4	1.8	500	SOD-123	●
LMSZ5267BT1G	P2	71.25	75	78.75	1.7	500	SOD-123	●
LMSZ5268BT1G	P3	77.9	82	86.1	1.5	500	SOD-123	
LMSZ5269BT1G	P4	82.65	87	91.35	1.4	500	SOD-123	
LMSZ5270BT1G	P5	86.45	91	95.55	1.4	500	SOD-123	
LMSZ5272BT1G	R2	104.5	110	115.5	1.1	500	SOD-123	
SODZ6.8A-SH	Z6.8	6.46	6.8	7.14	1	1000	SOD123-FL	
SODZ7.5A-SH	Z7.5	7.13	7.5	7.88	0.5	1000	SOD123-FL	



1.9 2 Pin Surface Mount Zener Diodes

Device	Device Marking	Zener voltage				P_D (mW)	Package ● Available for automotive applications
		V_Z (V)			@ I_{ZT} mA		
		Min	Nom	Max			
SODZ8.2A-SH	Z8.2	7.79	8.2	8.61	0.5	1000	SOD123-FL
SODZ9.1A-SH	Z9.1	8.65	9.1	9.56	0.5	1000	SOD123-FL
SODZ10A-SH	Z10	9.5	10	10.5	0.25	1000	SOD123-FL
SODZ11A-SH	Z11	10.45	11	11.55	0.25	1000	SOD123-FL
SODZ12A-SH	Z12	11.4	12	12.6	0.25	1000	SOD123-FL
SODZ13A-SH	Z13	12.35	13	13.65	0.25	1000	SOD123-FL
SODZ15A-SH	Z15	14.25	15	15.75	0.25	1000	SOD123-FL
SODZ16A-SH	Z16	15.2	16	16.8	0.25	1000	SOD123-FL
SODZ18A-SH	Z18	17.1	18	18.9	0.25	1000	SOD123-FL
SODZ20A-SH	Z20	19	20	21	0.25	1000	SOD123-FL
SODZ22A-SH	Z22	20.9	22	23.1	0.25	1000	SOD123-FL
SODZ24A-SH	Z24	22.8	24	25.2	0.25	1000	SOD123-FL
SODZ27A-SH	Z27	25.65	27	28.35	0.25	1000	SOD123-FL
SODZ30A-SH	Z30	28.5	30	31.5	0.25	1000	SOD123-FL
SODZ33A-SH	Z33	31.35	33	34.65	0.25	1000	SOD123-FL
SODZ36A-SH	Z36	34.2	36	37.8	0.25	1000	SOD123-FL
SODZ39A-SH	Z39	37.05	39	40.95	0.25	1000	SOD123-FL
SODZ43A-SH	Z43	40.85	43	45.15	0.25	1000	SOD123-FL
SODZ47A-SH	Z47	44.65	47	49.35	0.25	1000	SOD123-FL
SODZ51A-SH	Z51	48.45	51	53.55	0.25	1000	SOD123-FL
SODZ56A-SH	Z56	53.2	56	58.8	0.25	1000	SOD123-FL
SODZ62A-SH	Z62	58.9	62	65.1	0.25	1000	SOD123-FL
SODZ68A-SH	Z68	64.6	68	71.4	0.25	1000	SOD123-FL
SODZ75A-SH	Z75	71.25	75	78.75	0.25	1000	SOD123-FL
SODZ82A-SH	Z82	77.9	82	86.1	0.25	1000	SOD123-FL
SODZ91A-SH	Z91	86.45	91	95.55	0.25	1000	SOD123-FL
SODZ100A-SH	Z100	95	100	105	0.25	1000	SOD123-FL
SODZ110A-SH	Z110	104.5	110	115.5	0.25	1000	SOD123-FL
SODZ120A-SH	Z120	114	120	126	0.25	1000	SOD123-FL
SODZ130A-SH	Z130	123.5	130	136.5	0.25	1000	SOD123-FL
SODZ150A-SH	Z150	142.5	150	157.5	0.25	1000	SOD123-FL
SODZ160A-SH	Z160	152	160	168	0.25	1000	SOD123-FL
SODZ180A-SH	Z180	171	180	189	0.25	1000	SOD123-FL
SODZ200A-SH	Z200	190	200	210	0.25	1000	SOD123-FL
SZA5.1A	Z5.1A	4.85	5.1	5.36	1	1000	SMA
SZA5.6A	Z5.6A	5.32	5.6	5.88	1	1000	SMA
SZA6.2A	Z6.2A	5.89	6.2	6.51	1	1000	SMA
SZA6.8A	Z6.8A	6.46	6.8	7.14	1	1000	SMA
SZA7.5A	Z7.5A	7.13	7.5	7.88	0.5	1000	SMA
SZA8.2A	Z8.2A	7.79	8.2	8.61	0.5	1000	SMA

1.10 2 Pin Surface Mount Zener Diodes

Device	Device Marking	Zener voltage				P_D (mW)	Package ● Available for automotive applications
		V_Z (V)			@ I_{ZT} mA		
		Min	Nom	Max			
SZA9.1A	Z9.1A	8.65	9.1	9.56	0.5	1000	SMA
SZA10A	Z10A	9.5	10	10.5	0.25	1000	SMA
SZA11A	Z11A	10.45	11	11.55	0.25	1000	SMA
SZA12A	Z12A	11.4	12	12.6	0.25	1000	SMA
SZA13A	Z13A	12.35	13	13.65	0.25	1000	SMA
SZA15A	Z15A	14.25	15	15.75	0.25	1000	SMA
SZA16A	Z16A	15.2	16	16.8	0.25	1000	SMA
SZA18A	Z18A	17.1	18	18.9	0.25	1000	SMA
SZA20A	Z20A	19	20	21	0.25	1000	SMA
SZA22A	Z22A	20.9	22	23.1	0.25	1000	SMA
SZA24A	Z24A	22.8	24	25.2	0.25	1000	SMA
SZA27A	Z27A	25.65	27	28.35	0.25	1000	SMA
SZA30A	Z30A	28.5	30	31.5	0.25	1000	SMA
SZA33A	Z33A	31.35	33	34.65	0.25	1000	SMA
SZA36A	Z36A	34.2	36	37.8	0.25	1000	SMA
SZA39A	Z39A	37.05	39	40.95	0.25	1000	SMA
SZA43A	Z43A	40.85	43	45.15	0.25	1000	SMA
SZA47A	Z47A	44.65	47	49.35	0.25	1000	SMA
SZA51A	Z51A	48.45	51	53.55	0.25	1000	SMA
SZA56A	Z56A	53.2	56	58.8	0.25	1000	SMA
SZA62A	Z62A	58.9	62	65.1	0.25	1000	SMA
SZA68A	Z68A	64.6	68	71.4	0.25	1000	SMA
SZA75A	Z75A	71.25	75	78.75	0.25	1000	SMA
SZA82A	Z82A	77.9	82	86.1	0.25	1000	SMA
SZA91A	Z91A	86.45	91	95.55	0.25	1000	SMA
SZA100A	Z100A	95	100	105	0.25	1000	SMA
SZA110A	Z110A	105	110	116	0.25	1000	SMA
SZA120A	Z120A	114	120	126	0.25	1000	SMA
SZA130A	Z130A	124	130	137	0.25	1000	SMA
SZA150A	Z150A	143	150	158	0.25	1000	SMA
SZA160A	Z160A	152	160	168	0.25	1000	SMA
SZA180A	Z180A	171	180	189	0.25	1000	SMA
SZA200A	Z200A	190	200	210	0.25	1000	SMA
SZAF5.1A	Z5.1	4.85	5.1	5.36	1	1000	SMA-FL ●
SZAF5.6A	Z5.6	5.32	5.6	5.88	1	1000	SMA-FL
SZAF6.2A	Z6.2	5.89	6.2	6.51	1	1000	SMA-FL
SZAF6.8A	Z6.8	6.46	6.8	7.14	1	1000	SMA-FL
SZAF7.5A	Z7.5	7.13	7.5	7.88	0.5	1000	SMA-FL
SZAF8.2A	Z8.2	7.79	8.2	8.61	0.5	1000	SMA-FL
SZAF9.1A	Z9.1	8.65	9.1	9.56	0.5	1000	SMA-FL



1.11 2 Pin Surface Mount Zener Diodes

Device	Device Marking	Zener voltage				P_D (mW)	Package
		V_Z (V)			@ I_{ZT}		
		Min	Nom	Max	mA		
SZAF10A	Z10	9.5	10	10.5	0.25	1000	SMA-FL
SZAF11A	Z11	10.45	11	11.55	0.25	1000	SMA-FL
SZAF12A	Z12	11.4	12	12.6	0.25	1000	SMA-FL
SZAF13A	Z13	12.35	13	13.65	0.25	1000	SMA-FL
SZAF15A	Z15	14.25	15	15.75	0.25	1000	SMA-FL
SZAF16A	Z16	15.2	16	16.8	0.25	1000	SMA-FL
SZAF18A	Z18	17.1	18	18.9	0.25	1000	SMA-FL
SZAF20A	Z20	19	20	21	0.25	1000	SMA-FL
SZAF22A	Z22	20.9	22	23.1	0.25	1000	SMA-FL
SZAF24A	Z24	22.8	24	25.2	0.25	1000	SMA-FL
SZAF27A	Z27	25.65	27	28.35	0.25	1000	SMA-FL
SZAF30A	Z30	28.5	30	31.5	0.25	1000	SMA-FL
SZAF33A	Z33	31.35	33	34.65	0.25	1000	SMA-FL
SZAF36A	Z36	34.2	36	37.8	0.25	1000	SMA-FL
SZAF39A	Z39	37.05	39	40.95	0.25	1000	SMA-FL
SZAF43A	Z43	40.85	43	45.15	0.25	1000	SMA-FL
SZAF47A	Z47	44.65	47	49.35	0.25	1000	SMA-FL
SZAF51A	Z51	48.45	51	53.55	0.25	1000	SMA-FL
SZAF56A	Z56	53.2	56	58.8	0.25	1000	SMA-FL
SZAF62A	Z62	58.9	62	65.1	0.25	1000	SMA-FL
SZAF68A	Z68	64.6	68	71.4	0.25	1000	SMA-FL
SZAF75A	Z75	71.25	75	78.75	0.25	1000	SMA-FL
SZAF82A	Z82	77.9	82	86.1	0.25	1000	SMA-FL
SZAF91A	Z91	86.45	91	95.55	0.25	1000	SMA-FL
SZAF100A	Z100	95	100	105	0.25	1000	SMA-FL
SZAF110A	Z110	105	110	116	0.25	1000	SMA-FL
SZAF120A	Z120	114	120	126	0.25	1000	SMA-FL
SZAF130A	Z130	124	130	137	0.25	1000	SMA-FL
SZAF150A	Z150	143	150	158	0.25	1000	SMA-FL
SZAF160A	Z160	152	160	168	0.25	1000	SMA-FL
SZAF180A	Z180	171	180	189	0.25	1000	SMA-FL
SZAF200A	Z200	190	200	210	0.25	1000	SMA-FL
SZBF5.1A	SZBF5.1A	4.85	5.1	5.36	1	1000	SMB-FL
SZBF5.6A	SZBF5.6A	5.32	5.6	5.88	1	1000	SMB-FL
SZBF6.2A	SZBF6.2A	5.89	6.2	6.51	1	1000	SMB-FL
SZBF6.8A	SZBF6.8A	6.46	6.8	7.14	1	1000	SMB-FL
SZBF7.5A	SZBF7.5A	7.13	7.5	7.88	0.5	1000	SMB-FL
SZBF8.2A	SZBF8.2A	7.79	8.2	8.61	0.5	1000	SMB-FL
SZBF9.1A	SZBF9.1A	8.65	9.1	9.56	0.5	1000	SMB-FL
SZBF10A	SZBF10A	9.5	10	10.5	0.25	1000	SMB-FL

1.12 2 Pin Surface Mount Zener Diodes

Device	Device Marking	Zener voltage				P_D (mW)	Package
		V_Z (V)			@ I_{ZT}		
		Min	Nom	Max	mA		
SZBF11A	SZBF11A	10.45	11	11.55	0.25	1000	SMB-FL
SZBF12A	SZBF12A	11.4	12	12.6	0.25	1000	SMB-FL
SZBF13A	SZBF13A	12.35	13	13.65	0.25	1000	SMB-FL
SZBF15A	SZBF15A	14.25	15	15.75	0.25	1000	SMB-FL
SZBF16A	SZBF16A	15.2	16	16.8	0.25	1000	SMB-FL
SZBF18A	SZBF18A	17.1	18	18.9	0.25	1000	SMB-FL
SZBF20A	SZBF20A	19	20	21	0.25	1000	SMB-FL
SZBF22A	SZBF22A	20.9	22	23.1	0.25	1000	SMB-FL
SZBF24A	SZBF24A	22.8	24	25.2	0.25	1000	SMB-FL
SZBF27A	SZBF27A	25.65	27	28.35	0.25	1000	SMB-FL
SZBF30A	SZBF30A	28.5	30	31.5	0.25	1000	SMB-FL
SZBF33A	SZBF33A	31.35	33	34.65	0.25	1000	SMB-FL
SZBF36A	SZBF36A	34.2	36	37.8	0.25	1000	SMB-FL
SZBF39A	SZBF39A	37.05	39	40.95	0.25	1000	SMB-FL
SZBF43A	SZBF43A	40.85	43	45.15	0.25	1000	SMB-FL
SZBF47A	SZBF47A	44.65	47	49.35	0.25	1000	SMB-FL
SZBF51A	SZBF51A	48.45	51	53.55	0.25	1000	SMB-FL
SZBF56A	SZBF56A	53.2	56	58.8	0.25	1000	SMB-FL
SZBF62A	SZBF62A	58.9	62	65.1	0.25	1000	SMB-FL
SZBF68A	SZBF68A	64.6	68	71.4	0.25	1000	SMB-FL
SZBF75A	SZBF75A	71.25	75	78.75	0.25	1000	SMB-FL
SZBF82A	SZBF82A	77.9	82	86.1	0.25	1000	SMB-FL
SZBF91A	SZBF91A	86.45	91	95.55	0.25	1000	SMB-FL
SZBF100A	SZBF100A	95	100	105	0.25	2000	SMB-FL
SZBF110A	SZBF110A	105	110	116	0.25	2000	SMB-FL
SZBF120A	SZBF120A	114	120	126	0.25	2000	SMB-FL
SZBF130A	SZBF130A	124	130	137	0.25	2000	SMB-FL
SZBF150A	SZBF150A	143	150	158	0.25	2000	SMB-FL
SZBF160A	SZBF160A	152	160	168	0.25	2000	SMB-FL
SZBF180A	SZBF180A	171	180	189	0.25	2000	SMB-FL
SZBF200A	SZBF200A	190	200	210	0.25	2000	SMB-FL
SZB5.1A	SZB5.1A	4.85	5.1	5.36	1	1000	SMB
SZB5.6A	SZB5.6A	5.32	5.6	5.88	1	1000	SMB
SZB6.2A	SZB6.2A	5.89	6.2	6.51	1	1000	SMB
SZB6.8A	SZB6.8A	6.46	6.8	7.14	1	1000	SMB
SZB7.5A	SZB7.5A	7.13	7.5	7.88	0.5	1000	SMB
SZB8.2A	SZB8.2A	7.79	8.2	8.61	0.5	1000	SMB
SZB9.1A	SZB9.1A	8.65	9.1	9.56	0.5	1000	SMB
SZB10A	SZB10A	9.5	10	10.5	0.25	1000	SMB
SZB11A	SZB11A	10.45	11	11.55	0.25	1000	SMB



1.13 2 Pin Surface Mount Zener Diodes

Device	Device Marking	Zener voltage				P_D (mW)	Package
		V_Z (V)			@ I_{ZT}		
		Min	Nom	Max	mA		
SZB12A	SZB12A	11.4	12	12.6	0.25	1000	SMB
SZB13A	SZB13A	12.35	13	13.65	0.25	1000	SMB
SZB15A	SZB15A	14.25	15	15.75	0.25	1000	SMB
SZB16A	SZB16A	15.2	16	16.8	0.25	1000	SMB
SZB18A	SZB18A	17.1	18	18.9	0.25	1000	SMB
SZB20A	SZB20A	19	20	21	0.25	1000	SMB
SZB22A	SZB22A	20.9	22	23.1	0.25	1000	SMB
SZB24A	SZB24A	22.8	24	25.2	0.25	1000	SMB
SZB27A	SZB27A	25.65	27	28.35	0.25	1000	SMB
SZB30A	SZB30A	28.5	30	31.5	0.25	1000	SMB
SZB33A	SZB33A	31.35	33	34.65	0.25	1000	SMB
SZB36A	SZB36A	34.2	36	37.8	0.25	1000	SMB
SZB39A	SZB39A	37.05	39	40.95	0.25	1000	SMB
SZB43A	SZB43A	40.85	43	45.15	0.25	1000	SMB
SZB47A	SZB47A	44.65	47	49.35	0.25	1000	SMB
SZB51A	SZB51A	48.45	51	53.55	0.25	1000	SMB
SZB56A	SZB56A	53.2	56	58.8	0.25	1000	SMB
SZB62A	SZB62A	58.9	62	65.1	0.25	1000	SMB
SZB68A	SZB68A	64.6	68	71.4	0.25	1000	SMB
SZB75A	SZB75A	71.25	75	78.75	0.25	1000	SMB
SZB82A	SZB82A	77.9	82	86.1	0.25	1000	SMB
SZB91A	SZB91A	86.45	91	95.55	0.25	1000	SMB
SZB100A	SZB100A	95	100	105	0.25	2000	SMB
SZB110A	SZB110A	105	110	116	0.25	2000	SMB
SZB120A	SZB120A	114	120	126	0.25	2000	SMB
SZB130A	SZB130A	124	130	137	0.25	2000	SMB
SZB150A	SZB150A	143	150	158	0.25	2000	SMB
SZB160A	SZB160A	152	160	168	0.25	2000	SMB
SZB180A	SZB180A	171	180	189	0.25	2000	SMB
SZB200A	SZB200A	190	200	210	0.25	2000	SMB

2. 3 Pin Surface Mount Zener Diodes

Device	Device Marking	V_{RWM} (V)	V_{BR} (V) Min	I_R @ V_{RWM} (μ A)	C_J (pF)	V_C @ I_{PP} (V)	I_{PP} (A) $t_p=8/20\mu$ s	Package ● Available for automotive applications
LMBZ27VALT1G	22	25.65	0.05	60	40	1	40	SOT-23 ●



2.1 3 Pin Surface Mount Zener Diodes

Device	Device Marking	Zener voltage				P_D (mW)	Package ● Available for automotive applications	
		V_Z (V)			@ I_{ZT} mA			
		Min	Nom	Max				
LBZX84C68LT1G	Y20	64	68	72	2	225	SOT-23	●
LBZB84C6V2LT1G	UL	5.8	6.2	6.6	5	225	SOT-23	
LMBZ5221BLT1G	18A	2.28	2.4	2.52	20	225	SOT-23	●
LMBZ5222BLT1G	18B	2.37	2.5	2.63	20	225	SOT-23	
LMBZ5223BLT1G	18C	2.56	2.7	2.84	20	225	SOT-23	
LMBZ5224BLT1G	18D	2.66	2.8	2.94	20	225	SOT-23	
LMBZ5225BLT1G	18E	2.85	3	3.15	20	225	SOT-23	●
LMBZ5226BLT1G	8A	3.13	3.3	3.47	20	225	SOT-23	●
LMBZ5227BLT1G	8B	3.42	3.6	3.78	20	225	SOT-23	●
LMBZ5228BLT1G	8C	3.7	3.9	4.1	20	225	SOT-23	●
LMBZ5229BLT1G	8D	4.08	4.3	4.52	20	225	SOT-23	●
LMBZ5230BLT1G	8E	4.46	4.7	4.94	20	225	SOT-23	●
LMBZ5231BLT1G	8F	4.84	5.1	5.36	20	225	SOT-23	●
LMBZ5232BLT1G	8G	5.32	5.6	5.88	20	225	SOT-23	●
LMBZ5233BLT1G	8H	5.7	6	6.3	20	225	SOT-23	
LMBZ5234BLT1G	8J	5.89	6.2	6.51	20	225	SOT-23	●
LMBZ5235BLT1G	8K	6.46	6.8	7.14	20	225	SOT-23	●
LMBZ5236BLT1G	8L	7.12	7.5	7.88	20	225	SOT-23	●
LMBZ5237BLT1G	8M	7.79	8.2	8.61	20	225	SOT-23	●
LMBZ5238BLT1G	8N	8.26	8.7	9.14	20	225	SOT-23	
LMBZ5239BLT1G	8P	8.64	9.1	9.56	20	225	SOT-23	●
LMBZ5240BLT1G	8Q	9.5	10	10.5	20	225	SOT-23	●
LMBZ5241BLT1G	8R	10.4	11	11.55	20	225	SOT-23	●
LMBZ5242BLT1G	8S	11.4	12	12.6	20	225	SOT-23	●
LMBZ5243BLT1G	8T	12.35	13	13.65	9.5	225	SOT-23	●
LMBZ5244BLT1G	8U	13.3	14	14.7	9	225	SOT-23	●
LMBZ5245BLT1G	8V	14.25	15	15.75	8.5	225	SOT-23	●
LMBZ5246BLT1G	8W	15.2	16	16.8	7.8	225	SOT-23	●
LMBZ5247BLT1G	8X	16.15	17	17.85	7.4	225	SOT-23	●
LMBZ5248BLT1G	8Y	17.1	18	18.9	7	225	SOT-23	●
LMBZ5249BLT1G	8Z	18.05	19	19.95	6.6	225	SOT-23	●
LMBZ5250BLT1G	81A	19	20	21	6.2	225	SOT-23	●
LMBZ5251BLT1G	81B	20.9	22	23.1	5.6	225	SOT-23	●
LMBZ5252BLT1G	81C	22.8	24	25.2	5.2	225	SOT-23	●
LMBZ5253BLT1G	81D	23.75	25	26.25	5	225	SOT-23	
LMBZ5254BLT1G	81E	25.65	27	28.35	4.6	225	SOT-23	●
LMBZ5255BLT1G	81F	26.6	28	29.4	4.5	225	SOT-23	
LMBZ5256BLT1G	81G	28.5	30	31.5	4.2	225	SOT-23	●
LMBZ5257BLT1G	81H	31.35	33	34.65	3.8	225	SOT-23	●
LMBZ5258BLT1G	81J	34.2	36	37.8	3.4	225	SOT-23	●



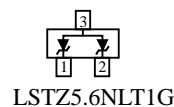
2.2 3 Pin Surface Mount Zener Diodes

Device	Device Marking	Zener voltage				P_D (mW)	Package ● Available for automotive applications	
		V_Z (V)			@ I_{ZT}			
		Min	Nom	Max	mA			
LMBZ5259BLT1G	81K	37.05	39	40.95	3.2	225	SOT-23	●
LMBZ5260BLT1G	81L	40.85	43	45.15	3	225	SOT-23	
LMBZ5261BLT1G	81M	44.65	47	49.35	2.7	225	SOT-23	
LMBZ5262BLT1G	81N	48.45	51	53.55	2.5	225	SOT-23	●
LMBZ5263BLT1G	81P	53.2	56	58.8	2.2	225	SOT-23	
LMBZ5264BLT1G	81Q	57	60	63	2.1	225	SOT-23	
LMBZ5265BLT1G	81R	58.9	62	65.1	2	225	SOT-23	
LMBZ5266BLT1G	81S	64.6	68	71.4	1.8	225	SOT-23	
LMBZ5267BLT1G	81T	71.25	75	78.75	1.7	225	SOT-23	
LMBZ5268BLT1G	81U	77.9	82	86.1	1.5	225	SOT-23	
LMBZ5269BLT1G	81V	82.65	87	91.35	1.4	225	SOT-23	
LMBZ5270BLT1G	81W	86.45	91	95.55	1.4	225	SOT-23	
LBZX84C2V4LT1G	Z11	2.2	2.4	2.6	5	225	SOT-23	●
LBZX84C2V7LT1G	Z12	2.5	2.7	2.9	5	225	SOT-23	●
LBZX84C3V0LT1G	Z13	2.8	3	3.2	5	225	SOT-23	●
LBZX84C3V3LT1G	Z14	3.1	3.3	3.5	5	225	SOT-23	●
LBZX84C3V6LT1G	Z15	3.4	3.6	3.8	5	225	SOT-23	●
LBZX84C3V9LT1G	Z16	3.7	3.9	4.1	5	225	SOT-23	●
LBZX84C4V3LT1G	W9	4	4.3	4.6	5	225	SOT-23	●
LBZX84C4V7LT1G	Z1	4.4	4.7	5	5	225	SOT-23	●
LBZX84C5V1LT1G	Z2	4.8	5.1	5.4	5	225	SOT-23	●
LBZX84C5V6LT1G	Z3	5.2	5.6	6	5	225	SOT-23	●
LBZX84C6V2LT1G	Z4	5.8	6.2	6.6	5	225	SOT-23	●
LBZX84C6V8LT1G	Z5	6.4	6.8	7.2	5	225	SOT-23	●
LBZX84C7V5LT1G	Z6	7	7.5	7.9	5	225	SOT-23	●
LBZX84C8V2LT1G	Z7	7.7	8.2	8.7	5	225	SOT-23	●
LBZX84C9V1LT1G	Z8	8.5	9.1	9.6	5	225	SOT-23	●
LBZX84C10LT1G	Z9	9.4	10	10.6	5	225	SOT-23	●
LBZX84C11LT1G	Y1	10.4	11	11.6	5	225	SOT-23	●
LBZX84C12LT1G	Y2	11.4	12	12.7	5	225	SOT-23	●
LBZX84C13LT1G	Y3	12.4	13	14.1	5	225	SOT-23	●
LBZX84C15LT1G	Y4	13.8	15	15.6	5	225	SOT-23	●
LBZX84C16LT1G	Y5	15.3	16	17.1	5	225	SOT-23	●
LBZX84C18LT1G	Y6	16.8	18	19.1	5	225	SOT-23	●
LBZX84C20LT1G	Y7	18.8	20	21.2	5	225	SOT-23	●
LBZX84C22LT1G	Y8	20.8	22	23.3	5	225	SOT-23	●
LBZX84C24LT1G	Y9	22.8	24	25.6	5	225	SOT-23	●
LBZX84C27LT1G	Y10	25.1	27	28.9	2	225	SOT-23	●
LBZX84C30LT1G	Y11	28	30	32	2	225	SOT-23	●
LBZX84C33LT1G	Y12	31	33	35	2	225	SOT-23	●

2.2 3 Pin Surface Mount Zener Diodes

Device	Device Marking	Zener voltage				P_D (mW)	Package ● Available for automotive applications	
		V_Z (V)			@ I_{ZT} mA			
		Min	Nom	Max				
LBZX84C36LT1G	Y13	34	36	38	2	225	SOT-23	●
LBZX84C39LT1G	Y14	37	39	41	2	225	SOT-23	●
LBZX84C43LT1G	Y15	40	43	46	2	225	SOT-23	●
LBZX84C47LT1G	Y16	44	47	50	2	225	SOT-23	●
LBZX84C51LT1G	Y17	48	51	54	2	225	SOT-23	●
LBZX84C62LT1G	Y19	58	62	66	2	225	SOT-23	●
LBZX84C75LT1G	Y21	70	75	79	2	225	SOT-23	●
LBZX84B2V7LT1G	32	2.69	2.8	2.91	5	225	SOT-23	
LBZX84B3V0LT1G	42	3.01	3.1	3.22	5	225	SOT-23	
LBZX84B3V3LT1G	52	3.32	3.4	3.53	5	225	SOT-23	
LBZX84B3V6LT1G	62	3.6	3.7	3.845	5	225	SOT-23	
LBZX84B3V9LT1G	72	3.89	4.0	4.16	5	225	SOT-23	
LBZX84B4V3LT1G	82	4.17	4.3	4.43	5	225	SOT-23	
LBZX84B4V7LT1G	92	4.55	4.7	4.75	5	225	SOT-23	●
LBZX84B5V1LT1G	A2	4.98	5.1	5.2	5	225	SOT-23	●
LBZX84B5V6LT1G	C2	5.49	5.6	5.73	5	225	SOT-23	●
LBZX84B6V2LT1G	E2	6.06	6.2	6.33	5	225	SOT-23	
LBZX84B6V8LT1G	F2	6.65	6.8	6.93	5	225	SOT-23	●
LBZX84B7V5LT1G	H2	7.28	7.4	7.6	5	225	SOT-23	●
LBZX84B8V2LT1G	J2	8.02	8.2	8.36	5	225	SOT-23	●
LBZX84B9V1LT1G	L2	8.85	9.0	9.23	5	225	SOT-23	●
LBZX84B10LT1G	05	9.77	10.0	10.21	5	225	SOT-23	●
LBZX84B11LT1G	15	10.76	11.0	11.22	5	225	SOT-23	
LBZX84B12LT1G	25	11.74	12.0	12.24	5	225	SOT-23	●
LBZX84B13LT1G	35	12.91	13.2	13.49	5	225	SOT-23	●
LBZX84B15LT1G	45	14.34	14.7	14.98	5	225	SOT-23	●
LBZX84B16LT1G	55	15.85	16.2	16.51	5	225	SOT-23	●
LBZX84B18LT1G	65	17.56	18.0	18.35	5	225	SOT-23	●
LBZX84B20LT1G	75	19.52	20.0	20.39	5	225	SOT-23	
LBZX84B22LT1G	85	21.54	22.0	22.47	5	225	SOT-23	
LBZX84B24LT1G	95	23.72	24.3	24.78	5	225	SOT-23	●
LBZX84B27LT1G	A5	26.19	26.9	27.53	5	225	SOT-23	●
LBZX84B30LT1G	C5	29.19	29.9	30.69	5	225	SOT-23	
LBZX84B33LT1G	E5	32.15	33.0	33.79	5	225	SOT-23	
LBZX84B36LT1G	F5	35.07	36.0	36.87	5	225	SOT-23	
LSTZ5.6NLT1G	Z56	5.31	5.6	5.92	5	200	SOT-23	●

STYLE





3. Plastic Sealed Axial Zener Diodes

Device	Device Marking	Zener voltage				Dynamic impedance				I _R (μ A)		Package
		V _Z (V)			@ I _{ZT}	Z _Z (Ω)	@ I _Z	Z _{ZK} (Ω)	@ I _{ZK}	Max	V _R (V)	
		Min	Nom	Max	mA	Max	mA	Max	mA			
1N4733AM	1N4733AM	4.84	5.1	5.35	49	7	49	550	1	10	1	DO-41
1N4734AM	1N4734AM	5.32	5.6	5.88	45	5	45	600	1	10	2	DO-41
1N4735AM	1N4735AM	5.89	6.2	6.51	41	2	41	700	1	10	3	DO-41
1N4736AM	1N4736AM	6.46	6.8	7.14	37	3.5	37	700	0.5	10	4	DO-41
1N4737AM	1N4737AM	7.13	7.5	7.87	34	4	34	700	0.5	10	5	DO-41
1N4738AM	1N4738AM	7.79	8.2	8.61	31	4.5	31	700	0.5	10	6	DO-41
1N4739AM	1N4739AM	8.64	9.1	9.55	28	5	28	700	0.25	10	7	DO-41
1N4740AM	1N4740AM	9.5	10	10.5	25	7	25	700	0.25	10	7.6	DO-41
1N4741AM	1N4741AM	10.45	11	11.55	23	8	23	700	0.25	5	8.4	DO-41
1N4742AM	1N4742AM	11.4	12	12.6	21	9	21	700	0.25	5	9.1	DO-41
1N4743AM	1N4743AM	12.35	13	13.65	19	10	19	700	0.25	5	9.9	DO-41
1N4744AM	1N4744AM	14.25	15	15.75	17	14	17	700	0.25	5	11.4	DO-41
1N4745AM	1N4745AM	15.2	16	16.8	15.5	16	15.5	700	0.25	5	12.2	DO-41
1N4746AM	1N4746AM	17.1	18	18.9	14	20	14	750	0.25	5	13.7	DO-41
1N4747AM	1N4747AM	19	20	21	12.5	22	12.5	750	0.25	5	15.2	DO-41
1N4748AM	1N4748AM	20.9	22	23.1	11.5	23	11.5	750	0.25	5	16.7	DO-41
1N4749AM	1N4749AM	22.8	24	25.2	10.5	25	10.5	750	0.25	5	18.2	DO-41
1N4750AM	1N4750AM	25.65	27	28.35	9.5	35	9.5	750	0.25	5	20.6	DO-41
1N4751AM	1N4751AM	28.5	30	31.5	8.5	40	8.5	1000	0.25	5	22.8	DO-41
1N4752AM	1N4752AM	31.35	33	34.65	7.5	45	7.5	1000	0.25	5	25.1	DO-41
1N4753AM	1N4753AM	34.2	36	37.8	7	50	7	1000	0.25	5	27.4	DO-41
1N4754AM	1N4754AM	37.05	39	40.95	6.5	60	6.5	1000	0.25	5	29.7	DO-41
1N4755AM	1N4755AM	40.85	43	45.15	6	70	6	1500	0.25	5	32.7	DO-41
1N4756AM	1N4756AM	44.65	47	49.35	5.5	80	5.5	1500	0.25	5	35.8	DO-41
1N4757AM	1N4757AM	48.45	51	53.55	5	95	5	1500	0.25	5	38.8	DO-41
1N4758AM	1N4758AM	53.2	56	58.8	4.5	110	4.5	2000	0.25	5	42.6	DO-41
1N4759AM	1N4759AM	58.9	62	65.1	4	125	4	2000	0.25	5	47.1	DO-41
1N4760AM	1N4760AM	64.6	68	71.4	3.7	150	3.7	2000	0.25	5	51.7	DO-41
1N4761AM	1N4761AM	71.25	75	78.75	3.3	175	3.3	2000	0.25	5	56	DO-41
1N4762AM	1N4762AM	77.9	82	86.1	3	200	3	3000	0.25	5	62.2	DO-41
1N4763AM	1N4763AM	86.45	91	95.55	2.8	250	2.8	3000	0.25	5	69.2	DO-41
1N4764AM	1N4764AM	95	100	105	2.5	350	2.5	3000	0.25	5	76	DO-41

Note: The power dissipation of 1N47XXAM series is 1000 mW

RECTIFIER DIODES

1. 2 Pin Rectifier Diodes

Device	Device Marking	Maximum Peak Reverse Voltage	Maximum Average Rectified Current @ Half-Wave Resistive Load 60Hz		Maximum Forward Peak Surge Current @ 8.3ms Superimposed	Maximum Reverse Current @ PRV @ T _A =25°C	Maximum Forward Voltage @ T _A =25°C		Maximum Reverse Recovery Time	Package ● Available for automotive applications
		PRV	I _O @ T _L		I _{FM} (Surge)	I _R	I _{FM}	V _{FM}	t _{rr}	
		V _{PK}	A _{AV}	°C	A _{PK}	μA	A _{PK}	V _{PK}	ns	
SOD4001-SH	A1	50	1	75	30	5	1	1.1	-	SOD123-FL ●
SOD4002-SH	A2	100	1	75	30	5	1	1.1	-	SOD123-FL ●
SOD4003-SH	A3	200	1	75	30	5	1	1.1	-	SOD123-FL ●
SOD4004-SH	A4	400	1	75	30	5	1	1.1	-	SOD123-FL ●
SOD4005-SH	A5	600	1	75	30	5	1	1.1	-	SOD123-FL ●
SOD4006-SH	A6	800	1	75	30	5	1	1.1	-	SOD123-FL ●
SOD4007-SH	A7	1000	1	75	30	5	1	1.1	-	SOD123-FL ●
SOD4001T-SH	A1T	50	1	75	30	5	1	1.1	1800	SOD123-FL
SOD4002T-SH	A2T	100	1	75	30	5	1	1.1	1800	SOD123-FL
SOD4003T-SH	A3T	200	1	75	30	5	1	1.1	1800	SOD123-FL
SOD4004T-SH	A4T	400	1	75	30	5	1	1.1	1800	SOD123-FL
SOD4005T-SH	A5T	600	1	75	30	5	1	1.1	1800	SOD123-FL
SOD4006T-SH	A6T	800	1	75	30	5	1	1.1	1800	SOD123-FL
SOD4007T-SH	A7T	1000	1	75	30	5	1	1.1	1800	SOD123-FL
SODF101-SH	F1	50	1	75	30	5	1	1.3	150	SOD123-FL
SODF102-SH	F2	100	1	75	30	5	1	1.3	150	SOD123-FL
SODF103-SH	F3	200	1	75	30	5	1	1.3	150	SOD123-FL
SODF104-SH	F4	400	1	75	30	5	1	1.3	150	SOD123-FL
SODF105-SH	F5	600	1	75	30	5	1	1.3	250	SOD123-FL
SODF106-SH	F6	800	1	75	30	5	1	1.3	500	SOD123-FL
SODF107-SH	F7	1000	1	75	30	5	1	1.3	500	SOD123-FL ●
SODHE101-SH	HE11	50	1	75	30	5	1	1	50	SOD123-FL
SODHE102-SH	HE12	100	1	75	30	5	1	1	50	SOD123-FL
SODHE103-SH	HE13	200	1	75	30	5	1	1	50	SOD123-FL
SODHE104-SH	HE14	300	1	75	30	5	1	1.25	50	SOD123-FL
SODHE105-SH	HE15	400	1	75	30	5	1	1.25	50	SOD123-FL
SODHE106-SH	HE16	600	1	75	30	5	1	1.7	75	SOD123-FL
SODHE107-SH	HE17	800	1	75	30	5	1	1.7	75	SOD123-FL
SODHE108-SH	HE18	1000	1	75	30	5	1	1.7	75	SOD123-FL
SODSF11-SH	SF11	50	1	75	30	5	1	0.95	35	SOD123-FL
SODSF12-SH	SF12	100	1	75	30	5	1	0.95	35	SOD123-FL
SODSF13-SH	SF13	150	1	75	30	5	1	0.95	35	SOD123-FL
SODSF14-SH	SF14	200	1	75	30	5	1	0.95	35	SOD123-FL ●
SODSF15-SH	SF15	300	1	75	30	5	1	1.25	35	SOD123-FL
SODSF16-SH	SF16	400	1	75	30	5	1	1.25	35	SOD123-FL
SODSF17-SH	SF17	500	1	75	30	5	1	1.7	35	SOD123-FL



1.1 2 Pin Rectifier Diodes

Device	Device Marking	Maximum Peak Reverse Voltage	Maximum Average Rectified Current @ Half-Wave Resistive Load 60Hz		Maximum Forward Peak Surge Current @ 8.3ms Superimposed	Maximum Reverse Current @ PRV @ T _A =25°C	Maximum Forward Voltage @ T _A =25°C		Maximum Reverse Recovery Time	Package ● Available for automotive applications
		PRV	I _O @ T _L		I _{FM} (Surge)	I _R	I _{FM}	V _{FM}	t _{rr}	
		V _{PK}	A _{AV}	°C	A _{PK}	μA	A _{PK}	V _{PK}	ns	
SODSF18-SH	SF18	600	1	75	30	5	1	1.7	35	SOD123-FL
SODE1A-SH	E1A	50	1	75	30	5	1	0.95	35	SOD123-FL
SODE1B-SH	E1B	100	1	75	30	5	1	0.95	35	SOD123-FL
SODE1C-SH	E1C	150	1	75	30	5	1	0.95	35	SOD123-FL
SODE1D-SH	E1D	200	1	75	30	5	1	0.95	35	SOD123-FL
SODE1F-SH	E1F	300	1	75	30	5	1	1.25	35	SOD123-FL
SODE1G-SH	E1G	400	1	75	30	5	1	1.25	35	SOD123-FL
SODE1H-SH	E1H	500	1	75	30	5	1	1.7	35	SOD123-FL
SODE1J-SH	E1J	600	1	75	30	5	1	1.7	35	SOD123-FL
SOD151-SH	B1	50	1.5	75	60	5	1.5	1.1	-	SOD123-FL
SOD152-SH	B2	100	1.5	75	60	5	1.5	1.1	-	SOD123-FL
SOD153-SH	B3	200	1.5	75	60	5	1.5	1.1	-	SOD123-FL
SOD154-SH	B4	400	1.5	75	60	5	1.5	1.1	-	SOD123-FL
SOD155-SH	B5	600	1.5	75	60	5	1.5	1.1	-	SOD123-FL
SOD156-SH	B6	800	1.5	75	60	5	1.5	1.1	-	SOD123-FL
SOD157-SH	B7	1000	1.5	75	60	5	1.5	1.1	-	SOD123-FL
SODF151-SH	G1	50	1.5	75	50	5	1.5	1.3	150	SOD123-FL
SODF152-SH	G2	100	1.5	75	50	5	1.5	1.3	150	SOD123-FL
SODF153-SH	G3	200	1.5	75	50	5	1.5	1.3	150	SOD123-FL
SODF154-SH	G4	400	1.5	75	50	5	1.5	1.3	150	SOD123-FL
SODF155-SH	G5	600	1.5	75	50	5	1.5	1.3	250	SOD123-FL
SODF156-SH	G6	800	1.5	75	50	5	1.5	1.3	500	SOD123-FL
SODF157-SH	G7	1000	1.5	75	50	5	1.5	1.3	500	SOD123-FL ●
SODF151T-SH	G1T	50	1.5	75	50	5	1.5	1.3	100	SOD123-FL
SODF152T-SH	G2T	100	1.5	75	50	5	1.5	1.3	100	SOD123-FL
SODF153T-SH	G3T	200	1.5	75	50	5	1.5	1.3	100	SOD123-FL
SODF154T-SH	G4T	400	1.5	75	50	5	1.5	1.3	100	SOD123-FL
SODF155T-SH	G5T	600	1.5	75	50	5	1.5	1.3	150	SOD123-FL
SODF156T-SH	G6T	800	1.5	75	50	5	1.5	1.3	160	SOD123-FL
SODF157T-SH	G7T	1000	1.5	75	50	5	1.5	1.3	160	SOD123-FL
FM401	M01	50	1	75	30	5	1	1.1	-	SMA ●
FM402	M02	100	1	75	30	5	1	1.1	-	SMA ●
FM403	M03	200	1	75	30	5	1	1.1	-	SMA ●
FM404	M04	400	1	75	30	5	1	1.1	-	SMA ●
FM405	M05	600	1	75	30	5	1	1.1	-	SMA ●
FM406	M06	800	1	75	30	5	1	1.1	-	SMA ●
FM407	M07	1000	1	75	30	5	1	1.1	-	SMA ●

1.2 2 Pin Rectifier Diodes

Device	Device Marking	Maximum Peak Reverse Voltage	Maximum Average Rectified Current @ Half-Wave Resistive Load 60Hz		Maximum Forward Surge Current @ 8.3ms Superimposed	Maximum Reverse Current @ PRV @ T _A =25°C	Maximum Forward Voltage @ T _A =25°C		Maximum Reverse Recovery Time	Package ● Available for automotive applications	
		PRV	I _O @ T _L		I _{FM} (Surge)	I _R	I _{FM}	V _{FM}	t _{rr}		
		V _{PK}	A _{AV}	°C	A _{PK}	μA	A _{PK}	V _{PK}	ns		
FFM101	FF1	50	1	75	30	5	1	1.3	150	SMA	●
FFM102	FF2	100	1	75	30	5	1	1.3	150	SMA	●
FFM103	FF3	200	1	75	30	5	1	1.3	150	SMA	●
FFM104	FF4	400	1	75	30	5	1	1.3	150	SMA	●
FFM105	FF5	600	1	75	30	5	1	1.3	150	SMA	●
FFM106	FF6	800	1	75	30	5	1	1.3	500	SMA	●
FFM107	FF7	1000	1	75	30	5	1	1.3	500	SMA	●
FFMAF101	FF11	50	1	75	30	5	1	1.3	150	SMA-FL	
FFMAF102	FF12	100	1	75	30	5	1	1.3	150	SMA-FL	
FFMAF103	FF13	200	1	75	30	5	1	1.3	150	SMA-FL	●
FFMAF104	FF14	400	1	75	30	5	1	1.3	150	SMA-FL	
FFMAF105	FF15	600	1	75	30	5	1	1.3	150	SMA-FL	
FFMAF106	FF16	800	1	75	30	5	1	1.3	500	SMA-FL	
FFMAF107	FF17	1000	1	75	30	5	1	1.3	500	SMA-FL	
FM4933	FM3	50	1	75	30	5	1	1.2	150	SMA	
FM4934	FM4	100	1	75	30	5	1	1.2	150	SMA	
FM4935	FM5	200	1	75	30	5	1	1.2	150	SMA	
FM4936	FM6	400	1	75	30	5	1	1.2	150	SMA	
FM4937	FM7	600	1	75	30	5	1	1.2	150	SMA	
HFM101	HF1	50	1	75	30	5	1	1	50	SMA	●
HFM102	HF2	100	1	75	30	5	1	1	50	SMA	●
HFM103	HF3	200	1	75	30	5	1	1	50	SMA	●
HFM104	HF4	300	1	75	30	5	1	1.3	50	SMA	●
HFM105	HF5	400	1	75	30	5	1	1.3	50	SMA	
HFM106	HF6	600	1	75	30	5	1	1.85	75	SMA	
HFM107	HF7	800	1	75	30	5	1	1.85	75	SMA	
HFM108	HF8	1000	1	75	30	5	1	1.85	75	SMA	
EFM101	EF1	50	1	75	30	5	1	0.95	35	SMA	●
EFM102	EF2	100	1	75	30	5	1	0.95	35	SMA	●
EFM103	EF3	150	1	75	30	5	1	0.95	35	SMA	●
EFM104	EF4	200	1	75	30	5	1	0.95	35	SMA	●
EFM105	EF5	300	1	75	30	5	1	1.25	35	SMA	
EFM106	EF6	400	1	75	30	5	1	1.25	35	SMA	
EFM107	EF7	500	1	75	30	5	1	1.7	35	SMA	
EFM108	EF8	600	1	75	30	5	1	1.7	35	SMA	
EFMAF101	EF1	50	1	75	30	5	1	0.95	35	SMA-FL	
EFMAF102	EF2	100	1	75	30	5	1	0.95	35	SMA-FL	



1.3 2 Pin Rectifier Diodes

Device	Device Marking	Maximum Peak Reverse Voltage	Maximum Average Rectified Current @ Half-Wave Resistive Load 60Hz		Maximum Forward Peak Surge Current @ 8.3ms Superimposed	Maximum Reverse Current @ PRV @ T _A =25°C	Maximum Forward Voltage @ T _A =25°C		Maximum Reverse Recovery Time	Package ● Available for automotive applications	
		PRV	I _O @ T _L		I _{FM} (Surge)	I _R	I _{FM}	V _{FM}	t _{rr}		
		V _{PK}	A _{AV}	°C	A _{PK}	μA	A _{PK}	V _{PK}	ns		
EFMAF103	EF3	150	1	75	30	5	1	0.95	35	SMA-FL	
EFMAF104	EF4	200	1	75	30	5	1	0.95	35	SMA-FL	●
EFMAF105	EF5	300	1	75	30	5	1	1.25	35	SMA-FL	
EFMAF106	EF6	400	1	75	30	5	1	1.25	35	SMA-FL	
EFMAF107	EF7	500	1	75	30	5	1	1.7	35	SMA-FL	
EFMAF108	EF8	600	1	75	30	5	1	1.7	35	SMA-FL	
HFMAF101	HF1	50	1	75	30	5	1	1	50	SMA-FL	
HFMAF102	HF2	100	1	75	30	5	1	1	50	SMA-FL	
HFMAF103	HF3	200	1	75	30	5	1	1	50	SMA-FL	
HFMAF104	HF4	300	1	75	30	5	1	1.3	50	SMA-FL	
HFMAF105	HF5	400	1	75	30	5	1	1.3	50	SMA-FL	
HFMAF106	HF6	600	1	75	30	5	1	1.85	75	SMA-FL	
HFMAF107	HF7	800	1	75	30	5	1	1.85	75	SMA-FL	●
HFMAF108	HF8	1000	1	75	30	5	1	1.85	75	SMA-FL	
HFMAF109	HF9	1200	1	75	30	5	1	1.85	75	SMA-FL	
FMAF401	M01	50	1	75	30	5	1	1.1	-	SMA-FL	●
FMAF402	M02	100	1	75	30	5	1	1.1	-	SMA-FL	●
FMAF403	M03	200	1	75	30	5	1	1.1	-	SMA-FL	●
FMAF404	M04	400	1	75	30	5	1	1.1	-	SMA-FL	●
FMAF405	M05	600	1	75	30	5	1	1.1	-	SMA-FL	●
FMAF406	M06	800	1	75	30	5	1	1.1	-	SMA-FL	●
FMAF407	M07	1000	1	75	30	5	1	1.1	-	SMA-FL	●
LUMA105	UM05	50	1	75	30	5	1	0.93	35	SMA	
LUMA110	UM10	100	1	75	30	5	1	0.93	35	SMA	
LUMA115	UM15	150	1	75	30	5	1	0.93	35	SMA	
LUMA120	UM20	200	1	75	30	5	1	0.93	35	SMA	
LUMA140	UM40	400	1	75	30	5	1	1.25	50	SMA	
LUMA150	UM50	500	1	75	30	5	1	1.25	50	SMA	
LUMA160	UM60	600	1	75	30	5	1	1.5	50	SMA	
FFMA202	FF22	100	2	75	70	5	1	1.3	150	SMA	
FFMA203	FF23	200	2	75	70	5	1	1.3	150	SMA	
FFMA204	FF24	400	2	75	70	5	1	1.3	150	SMA	
FFMA205	FF25	600	2	75	70	5	1	1.3	150	SMA	
FFMA206	FF26	800	2	75	70	5	1	1.3	500	SMA	
FFMA207	FF27	1000	2	75	70	5	1	1.3	500	SMA	
HFMAF210	HF21	50	2	75	60	5	2	1	50	SMA-FL	
HFMAF220	HF22	100	2	75	60	5	2	1	50	SMA-FL	

1.4 2 Pin Rectifier Diodes

Device	Device Marking	Maximum Peak Reverse Voltage	Maximum Average Rectified Current @ Half-Wave Resistive Load 60Hz		Maximum Forward Peak Surge Current @ 8.3ms Superimposed	Maximum Reverse Current @ PRV @ T _A =25°C	Maximum Forward Voltage @ T _A =25°C		Maximum Reverse Recovery Time	Package ● Available for automotive applications
		PRV	I _O @ T _L		I _{FM} (Surge)	I _R	I _{FM}	V _{FM}	t _{rr}	
		V _{PK}	A _{AV}	°C	A _{PK}	μA	A _{PK}	V _{PK}	ns	
HFMAF230	HF23	200	2	75	60	5	2	1	50	SMA-FL
HFMAF240	HF24	300	2	75	60	5	2	1.3	50	SMA-FL
HFMAF250	HF25	400	2	75	60	5	2	1.3	50	SMA-FL
HFMAF260	HF26	600	2	75	60	5	2	1.85	75	SMA-FL
HFMAF270	HF27	800	2	75	60	5	2	1.85	75	SMA-FL
HFMAF280	HF28	1000	2	75	60	5	2	1.85	75	SMA-FL
HFMAF290	HF29	1200	2	75	60	5	2	1.85	75	SMA-FL
FFMAF201	FF21	50	2	75	60	5	2	1.3	150	SMA-FL
FFMAF202	FF22	100	2	75	60	5	2	1.3	150	SMA-FL
FFMAF203	FF23	200	2	75	60	5	2	1.3	150	SMA-FL
FFMAF204	FF24	400	2	75	60	5	2	1.3	150	SMA-FL ●
FFMAF205	FF25	600	2	75	60	5	2	1.3	250	SMA-FL
FFMAF206	FF26	800	2	75	60	5	2	1.3	500	SMA-FL
FFMAF207	FF27	1000	2	75	60	5	2	1.3	500	SMA-FL
FFMAF207P	FF27P	1000	2	75	60	5	2	1.3	250	SMA-FL
FFMAF207T	FF27T	1000	2	75	60	5	2	1.3	160	SMA-FL ●
FFMAF207L	FF27L	1000	2	75	60	5	2	1.05	480	SMA-FL
FMAF201	F21	50	2	75	60	5	2	1.1	-	SMA-FL
FMAF202	F22	100	2	75	60	5	2	1.1	-	SMA-FL
FMAF203	F23	200	2	75	60	5	2	1.1	-	SMA-FL
FMAF204	F24	400	2	75	60	5	2	1.1	-	SMA-FL
FMAF205	F25	600	2	75	60	5	2	1.1	-	SMA-FL
FMAF206	F26	800	2	75	60	5	2	1.1	-	SMA-FL
FMAF207	F27	1000	2	75	60	5	2	1.1	-	SMA-FL
HFMA210	HF21	50	2	75	60	5	1	1	50	SMA
HFMA220	HF22	100	2	75	60	5	1	1	50	SMA
HFMA230	HF23	200	2	75	60	5	1	1	50	SMA
HFMA240	HF24	300	2	75	60	5	1	1.3	50	SMA
HFMA250	HF25	400	2	75	60	5	1	1.3	50	SMA
HFMA260	HF26	600	2	75	60	5	1	1.85	75	SMA
HFMA270	HF27	800	2	75	60	5	1	1.85	75	SMA
HFMA280	HF28	1000	2	75	60	5	1	1.85	75	SMA
HFMA290	HF29	1200	2	75	60	5	1	1.85	75	SMA
EFMA210	EF21	50	2	75	75	5	1	0.95	35	SMA
EFMA220	EF22	100	2	75	75	5	1	0.95	35	SMA
EFMA230	EF23	150	2	75	75	5	1	0.95	35	SMA
EFMA240	EF24	200	2	75	75	5	1	0.95	35	SMA



1.5 2 Pin Rectifier Diodes

Device	Device Marking	Maximum Peak Reverse Voltage	Maximum Average Rectified Current @ Half-Wave Resistive Load 60Hz		Maximum Forward Peak Surge Current @ 8.3ms Superimposed	Maximum Reverse Current @ PRV @ T _A =25°C	Maximum Forward Voltage @ T _A =25°C		Maximum Reverse Recovery Time	Package ● Available for automotive applications
		PRV	I _O @ T _L		I _{FM} (Surge)	I _R	I _{FM}	V _{FM}	t _{rr}	
		V _{PK}	A _{AV}	°C	A _{PK}	μA	A _{PK}	V _{PK}	ns	
EFMA250	EF25	300	2	75	75	5	1	1.25	35	SMA
EFMA260	EF26	400	2	75	75	5	1	1.25	35	SMA
EFMA270	EF27	500	2	75	75	5	1	1.7	35	SMA
EFMA280	EF28	600	2	75	75	5	1	1.7	35	SMA
EFMAF210	EF21	50	2	75	60	5	2	0.95	35	SMA-FL
EFMAF220	EF22	100	2	75	60	5	2	0.95	35	SMA-FL
EFMAF230	EF23	150	2	75	60	5	2	0.95	35	SMA-FL
EFMAF240	EF24	200	2	75	60	5	2	0.95	35	SMA-FL
EFMAF250	EF25	300	2	75	60	5	2	1.25	35	SMA-FL
EFMAF260	EF26	400	2	75	60	5	2	1.25	35	SMA-FL
EFMAF270	EF27	500	2	75	60	5	2	1.7	35	SMA-FL
EFMAF280	EF28	600	2	75	60	5	2	1.7	35	SMA-FL
RS2AB	RS2A	50	2	75	70	5	2	1.3	150	SMB
RS2BB	RS2B	100	2	75	70	5	2	1.3	150	SMB
RS2DB	RS2D	200	2	75	70	5	2	1.3	150	SMB
RS2GB	RS2G	400	2	75	70	5	2	1.3	150	SMB
RS2JB	RS2J	600	2	75	70	5	2	1.3	150	SMB
RS2KB	RS2K	800	2	75	70	5	2	1.3	500	SMB
RS2MB	RS2M	1000	2	75	70	5	2	1.3	500	SMB
RS2MPB	RS2MP	1000	2	75	70	5	2	1.3	250	SMB
RS2ABF	RS2A	50	2	75	70	5	2	1.3	150	SMB-FL
RS2BBF	RS2B	100	2	75	70	5	2	1.3	150	SMB-FL
RS2DBF	RS2D	200	2	75	70	5	2	1.3	150	SMB-FL
RS2GBF	RS2G	400	2	75	70	5	2	1.3	150	SMB-FL
RS2JBF	RS2J	600	2	75	70	5	2	1.3	150	SMB-FL
RS2KBF	RS2K	800	2	75	70	5	2	1.3	500	SMB-FL
RS2MBF	RS2M	1000	2	75	70	5	2	1.3	500	SMB-FL
RS2MPBF	RS2MP	1000	2	75	70	5	2	1.3	250	SMB-FL
EFMB201	EF201	50	2	75	60	5	2	0.95	35	SMB
EFMB202	EF202	100	2	75	60	5	2	0.95	35	SMB
EFMB203	EF203	150	2	75	60	5	2	0.95	35	SMB
EFMB204	EF204	200	2	75	60	5	2	0.95	35	SMB
EFMB205	EF205	300	2	75	60	5	2	1.25	35	SMB
EFMB206	EF206	400	2	75	60	5	2	1.25	35	SMB
EFMB207	EF207	500	2	75	60	5	2	1.7	35	SMB
EFMB208	EF208	600	2	75	60	5	2	1.7	35	SMB
EFMBF201	EF201	50	2	75	60	5	2	0.95	35	SMB-FL

1.6 2 Pin Rectifier Diodes

Device	Device Marking	Maximum Peak Reverse Voltage	Maximum Average Rectified Current @ Half-Wave Resistive Load 60Hz		Maximum Forward Peak Surge Current @ 8.3ms Superimposed	Maximum Reverse Current @ PRV @ T _A =25°C	Maximum Forward Voltage @ T _A =25°C		Maximum Reverse Recovery Time	Package
		PRV	I _O @ T _L		I _{FM} (Surge)	I _R	I _{FM}	V _{FM}	t _{rr}	
		V _{PK}	A _{AV}	°C	A _{PK}	μA	A _{PK}	V _{PK}	ns	
EFMBF202	EF202	100	2	75	60	5	2	0.95	35	SMB-FL
EFMBF203	EF203	150	2	75	60	5	2	0.95	35	SMB-FL
EFMBF204	EF204	200	2	75	60	5	2	0.95	35	SMB-FL
EFMBF205	EF205	300	2	75	60	5	2	1.25	35	SMB-FL
EFMBF206	EF206	400	2	75	60	5	2	1.25	35	SMB-FL
EFMBF207	EF207	500	2	75	60	5	2	1.7	35	SMB-FL
EFMBF208	EF208	600	2	75	60	5	2	1.7	35	SMB-FL
EFMB310	EF310	50	3	75	90	5	3	0.95	35	SMB
EFMB320	EF320	100	3	75	90	5	3	0.95	35	SMB
EFMB330	EF330	150	3	75	90	5	3	0.95	35	SMB
EFMB340	EF340	200	3	75	90	5	3	0.95	35	SMB
EFMB350	EF350	300	3	75	90	5	3	1.25	35	SMB
EFMB360	EF360	400	3	75	90	5	3	1.25	35	SMB
EFMB370	EF370	500	3	75	90	5	3	1.7	35	SMB
EFMB380	EF380	600	3	75	90	5	3	1.7	35	SMB
EFMBF310	EF310	50	3	75	90	5	3	0.95	35	SMB-FL
EFMBF320	EF320	100	3	75	90	5	3	0.95	35	SMB-FL
EFMBF330	EF330	150	3	75	90	5	3	0.95	35	SMB-FL
EFMBF340	EF340	200	3	75	90	5	3	0.95	35	SMB-FL
EFMBF350	EF350	300	3	75	90	5	3	1.25	35	SMB-FL
EFMBF360	EF360	400	3	75	90	5	3	1.25	35	SMB-FL
EFMBF370	EF370	500	3	75	90	5	3	1.7	35	SMB-FL
EFMBF380	EF380	600	3	75	90	5	3	1.7	35	SMB-FL
HFMB201	HF201	50	2	75	60	5	2	1	50	SMB
HFMB202	HF202	100	2	75	60	5	2	1	50	SMB
HFMB203	HF203	200	2	75	60	5	2	1	50	SMB
HFMB204	HF204	300	2	75	60	5	2	1.3	50	SMB
HFMB205	HF205	400	2	75	60	5	2	1.3	50	SMB
HFMB206	HF206	600	2	75	60	5	2	1.85	75	SMB
HFMB207	HF207	800	2	75	60	5	2	1.85	75	SMB
HFMB208	HF208	1000	2	75	60	5	2	1.85	75	SMB
HFMBF201	HF201	50	2	75	60	5	2	1	50	SMB-FL
HFMBF202	HF202	100	2	75	60	5	2	1	50	SMB-FL
HFMBF203	HF203	200	2	75	60	5	2	1	50	SMB-FL
HFMBF204	HF204	300	2	75	60	5	2	1.3	50	SMB-FL
HFMBF205	HF205	400	2	75	60	5	2	1.3	50	SMB-FL
HFMBF206	HF206	600	2	75	60	5	2	1.85	75	SMB-FL



1.7 2 Pin Rectifier Diodes

Device	Device Marking	Maximum Peak Reverse Voltage	Maximum Average Rectified Current @ Half-Wave Resistive Load 60Hz		Maximum Forward Peak Surge Current @ 8.3ms Superimposed	Maximum Reverse Current @ PRV @ T _A =25°C	Maximum Forward Voltage @ T _A =25°C		Maximum Reverse Recovery Time	Package
		PRV	I _O @ T _L		I _{FM} (Surge)	I _R	I _{FM}	V _{FM}	t _{rr}	
		V _{PK}	A _{AV}	°C	A _{PK}	µA	A _{PK}	V _{PK}	ns	
HFMBF207	HF207	800	2	75	60	5	2	1.85	75	SMB-FL
HFMBF208	HF208	1000	2	75	60	5	2	1.85	75	SMB-FL
LUMB105	UM105	50	1	75	30	5	1	0.93	35	SMB
LUMB110	UM110	100	1	75	30	5	1	0.93	35	SMB
LUMB115	UM115	150	1	75	30	5	1	0.93	35	SMB
LUMB120	UM120	200	1	75	30	5	1	0.93	35	SMB
LUMB140	UM140	400	1	75	30	5	1	1.25	50	SMB
LUMB150	UM150	500	1	75	30	5	1	1.25	50	SMB
LUMB160	UM160	600	1	75	30	5	1	1.5	50	SMB
LUMBF105	UM105	50	1	75	30	5	1	0.93	35	SMB-FL
LUMBF110	UM110	100	1	75	30	5	1	0.93	35	SMB-FL
LUMBF115	UM115	150	1	75	30	5	1	0.93	35	SMB-FL
LUMBF120	UM120	200	1	75	30	5	1	0.93	35	SMB-FL
LUMBF140	UM140	400	1	75	30	5	1	1.25	50	SMB-FL
LUMBF150	UM150	500	1	75	30	5	1	1.25	50	SMB-FL
LUMBF160	UM160	600	1	75	30	5	1	1.5	50	SMB-FL
LUMB205	UM205	50	2	75	60	5	2	0.93	35	SMB
LUMB210	UM210	100	2	75	60	5	2	0.93	35	SMB
LUMB215	UM215	150	2	75	60	5	2	0.93	35	SMB
LUMB220	UM220	200	2	75	60	5	2	0.93	35	SMB
LUMB240	UM240	400	2	75	60	5	2	1.25	50	SMB
LUMB250	UM250	500	2	75	60	5	2	1.25	50	SMB
LUMB260	UM260	600	2	75	60	5	2	1.5	50	SMB
LUMBF205	UM205	50	2	75	60	5	2	0.93	35	SMB-FL
LUMBF210	UM210	100	2	75	60	5	2	0.93	35	SMB-FL
LUMBF215	UM215	150	2	75	60	5	2	0.93	35	SMB-FL
LUMBF220	UM220	200	2	75	60	5	2	0.93	35	SMB-FL
LUMBF240	UM240	400	2	75	60	5	2	1.25	50	SMB-FL
LUMBF250	UM250	500	2	75	60	5	2	1.25	50	SMB-FL
LUMBF260	UM260	600	2	75	60	5	2	1.5	50	SMB-FL
S2AB	S2A	50	2	75	50	5	2	1.1	-	SMB
S2BB	S2B	100	2	75	50	5	2	1.1	-	SMB
S2DB	S2D	200	2	75	50	5	2	1.1	-	SMB
S2GB	S2G	400	2	75	50	5	2	1.1	-	SMB
S2JB	S2J	600	2	75	50	5	2	1.1	-	SMB
S2KB	S2K	800	2	75	50	5	2	1.1	-	SMB
S2MB	S2M	1000	2	75	50	5	2	1.1	-	SMB

1.8 2 Pin Rectifier Diodes

Device	Device Marking	Maximum Peak Reverse Voltage	Maximum Average Rectified Current @ Half-Wave Resistive Load 60Hz			Maximum Forward Peak Surge Current @ 8.3ms Superimposed	Maximum Reverse Current @ PRV @ T _A =25°C	Maximum Forward Voltage @ T _A =25°C		Maximum Reverse Recovery Time	Package
		PRV	I _O @ T _L		I _{FM} (Surge)	I _R	I _{FM}	V _{FM}	t _{rr}		
		V _{PK}	A _{AV}	°C	A _{PK}	μA	A _{PK}	V _{PK}	ns		
S2ABF	S2A	50	2	75	50	5	2	1.1	-	SMB-FL	
S2BBF	S2B	100	2	75	50	5	2	1.1	-	SMB-FL	
S2DBF	S2D	200	2	75	50	5	2	1.1	-	SMB-FL	
S2GBF	S2G	400	2	75	50	5	2	1.1	-	SMB-FL	
S2JBF	S2J	600	2	75	50	5	2	1.1	-	SMB-FL	
S2KBF	S2K	800	2	75	50	5	2	1.1	-	SMB-FL	
S2MBF	S2M	1000	2	75	50	5	2	1.1	-	SMB-FL	
S3AB	S3A	50	3	75	100	5	2	1.1	-	SMB	
S3BB	S3B	100	3	75	100	5	3	1.1	-	SMB	
S3DB	S3D	200	3	75	100	5	3	1.1	-	SMB	
S3GB	S3G	400	3	75	100	5	3	1.1	-	SMB	
S3JB	S3J	600	3	75	100	5	3	1.1	-	SMB	
S3KB	S3K	800	3	75	100	5	3	1.1	-	SMB	
S3MB	S3M	1000	3	75	100	5	3	1.1	-	SMB	
S3ABF	S3A	50	3	75	100	5	2	1.1	-	SMB-FL	
S3BBF	S3B	100	3	75	100	5	3	1.1	-	SMB-FL	
S3DBF	S3D	200	3	75	100	5	3	1.1	-	SMB-FL	
S3GBF	S3G	400	3	75	100	5	3	1.1	-	SMB-FL	
S3JBF	S3J	600	3	75	100	5	3	1.1	-	SMB-FL	
S3KBF	S3K	800	3	75	100	5	3	1.1	-	SMB-FL	
S3MBF	S3M	1000	3	75	100	5	3	1.1	-	SMB-FL	
1N4001G	1N4001G	50	1	75	30	5	1	1.1	-	DO-41	
1N4002G	1N4002G	100	1	75	30	5	1	1.1	-	DO-41	
1N4003G	1N4003G	200	1	75	30	5	1	1.1	-	DO-41	
1N4004G	1N4004G	400	1	75	30	5	1	1.1	-	DO-41	
1N4005G	1N4005G	600	1	75	30	5	1	1.1	-	DO-41	
1N4006G	1N4006G	800	1	75	30	5	1	1.1	-	DO-41	
1N4007G	1N4007G	1000	1	75	30	5	1	1.1	-	DO-41	
FR101G	FR101G	50	1	55	30	5	1	1.3	150	DO-41	
FR102G	FR102G	100	1	55	30	5	1	1.3	150	DO-41	
FR103G	FR103G	200	1	55	30	5	1	1.3	150	DO-41	
FR104G	FR104G	400	1	55	30	5	1	1.3	150	DO-41	
FR105G	FR105G	600	1	55	30	5	1	1.3	250	DO-41	
FR105PG	FR105PG	600	1	55	30	5	1	1.3	150	DO-41	
FR106G	FR106G	800	1	55	30	5	1	1.3	500	DO-41	
FR107G	FR107G	1000	1	55	30	5	1	1.3	500	DO-41	
FR107PG	FR107PG	1000	1	55	30	5	1	1.3	250	DO-41	



1.9 2 Pin Rectifier Diodes

Device	Device Marking	Maximum Peak Reverse Voltage	Maximum Average Rectified Current @ Half-Wave Resistive Load 60Hz		Maximum Forward Peak Surge Current @ 8.3ms Superimposed	Maximum Reverse Current @ PRV @ T _A =25°C	Maximum Forward Voltage @ T _A =25°C		Maximum Reverse Recovery Time	Package ● Available for automotive applications
		PRV	I _O @ T _L		I _{FM} (Surge)	I _R	I _{FM}	V _{FM}	t _{rr}	
		V _{PK}	A _{AV}	°C	A _{PK}	μA	A _{PK}	V _{PK}	ns	
1N4933G	1N4933G	50	1	55	30	5	1	1.2	150	DO-41
1N4934G	1N4934G	100	1	55	30	5	1	1.2	150	DO-41
1N4935G	1N4935G	200	1	55	30	5	1	1.2	150	DO-41
1N4936G	1N4936G	400	1	55	30	5	1	1.2	150	DO-41
1N4937G	1N4937G	600	1	55	30	5	1	1.2	150	DO-41
1N4942G	1N4942G	200	1	75	25	5	1	1.3	150	DO-41
1N4944G	1N4944G	400	1	75	25	5	1	1.3	150	DO-41
1N4946G	1N4946G	600	1	75	25	5	1	1.3	250	DO-41
1N4947G	1N4947G	800	1	75	25	5	1	1.3	250	DO-41
1N4948G	1N4948G	1000	1	75	25	5	1	1.3	500	DO-41
BA157G	BA157G	400	1	55	30	5	1	1.3	150	DO-41
BA158G	BA158G	600	1	55	30	5	1	1.3	250	DO-41
BA159DG	BA159DG	800	1	55	30	5	1	1.3	500	DO-41
BA159G	BA159G	1000	1	55	30	5	1	1.3	500	DO-41
RGP10A	RGP10A	50	1	55	30	5	1	1.3	150	DO-41
RGP10B	RGP10B	100	1	55	30	5	1	1.3	150	DO-41
RGP10D	RGP10D	200	1	55	30	5	1	1.3	150	DO-41
RGP10G	RGP10G	400	1	55	30	5	1	1.3	150	DO-41
RGP10J	RGP10J	600	1	55	30	5	1	1.3	250	DO-41
RGP10K	RGP10K	800	1	55	30	5	1	1.3	500	DO-41
RGP10M	RGP10M	1000	1	55	30	5	1	1.3	500	DO-41
RGP10MA	RGP10MA	1000	1	55	30	5	1	1.3	300	DO-41
HER101G	HER101G	50	1	75	30	5	1	1	50	DO-41
HER102G	HER102G	100	1	75	30	5	1	1	50	DO-41
HER103G	HER103G	200	1	75	30	5	1	1	50	DO-41
HER104G	HER104G	300	1	75	30	5	1	1.3	50	DO-41
HER105G	HER105G	400	1	75	30	5	1	1.3	50	DO-41
HER106G	HER106G	600	1	75	30	5	1	1.85	75	DO-41
HER107G	HER107G	800	1	75	30	5	1	1.85	75	DO-41
HER108G	HER108G	1000	1	75	30	5	1	1.85	75	DO-41
SF11G	SF11G	50	1	75	30	5	1	0.95	35	DO-41
SF12G	SF12G	100	1	75	30	5	1	0.95	35	DO-41
SF13G	SF13G	150	1	75	30	5	1	0.95	35	DO-41
SF14G	SF14G	200	1	75	30	5	1	0.95	35	DO-41
SF15G	SF15G	300	1	75	30	5	1	1.25	35	DO-41
SF16G	SF16G	400	1	75	30	5	1	1.25	35	DO-41
SF17G	SF17G	500	1	75	30	5	1	1.7	35	DO-41

1.10 2 Pin Rectifier Diodes

Device	Device Marking	Maximum Peak Reverse Voltage	Maximum Average Rectified Current @ Half-Wave Resistive Load 60Hz		Maximum Forward Peak Surge Current @ 8.3ms Superimposed	Maximum Reverse Current @ PRV @ T _A =25°C	Maximum Forward Voltage @ T _A =25°C		Maximum Reverse Recovery Time	Package
		PRV	I _O @ T _L		I _{FM} (Surge)	I _R	I _{FM}	V _{FM}	t _{rr}	
		V _{PK}	A _{AV}	°C	A _{PK}	μA	A _{PK}	V _{PK}	ns	
SF18G	SF18G	600	1	75	30	5	1	1.7	35	DO-41
LUR105	LUR105	50	1	55	30	5	1	0.93	35	DO-41
LUR110	LUR110	100	1	55	30	5	1	0.93	35	DO-41
LUR115	LUR115	150	1	55	30	5	1	0.93	35	DO-41
LUR120	LUR120	200	1	55	30	5	1	0.93	35	DO-41
LUR140	LUR140	400	1	55	30	5	1	1.25	50	DO-41
LUR150	LUR150	500	1	55	30	5	1	1.25	50	DO-41
LUR160	LUR160	600	1	55	30	5	1	1.5	50	DO-41
LUR180	LUR180	800	1	55	35	10	1	1.75	75	DO-41
LUR1100	LUR1100	1000	1	55	35	10	1	1.75	75	DO-41
EGP10A	EGP10A	50	1	55	30	5	1	1	50	DO-41
EGP10B	EGP10B	100	1	55	30	5	1	1	50	DO-41
EGP10D	EGP10D	200	1	55	30	5	1	1	50	DO-41
EGP10G	EGP10G	400	1	55	30	5	1	1.25	50	DO-41
EGP10J	EGP10J	600	1	55	30	5	1	1.7	75	DO-41
EGP10K	EGP10K	800	1	55	30	5	1	1.7	75	DO-41
EGP10M	EGP10M	1000	1	55	30	5	1	1.7	75	DO-41
UGP10A	UGP10A	50	1	55	30	5	1	0.95	35	DO-41
UGP10B	UGP10B	100	1	55	30	5	1	0.95	35	DO-41
UGP10D	UGP10D	200	1	55	30	5	1	0.95	35	DO-41
UGP10F	UGP10F	300	1	55	30	5	1	1.25	35	DO-41
UGP10G	UGP10G	400	1	55	30	5	1	1.25	35	DO-41
UGP10J	UGP10J	600	1	55	30	5	1	1.7	35	DO-41
UGP10K	UGP10K	800	1	55	30	5	1	2.2	35	DO-41
1F1G	1F1G	50	1	75	25	5	1	1.3	150	R-1
1F2G	1F2G	100	1	75	25	5	1	1.3	150	R-1
1F3G	1F3G	200	1	75	25	5	1	1.3	150	R-1
1F4G	1F4G	400	1	75	25	5	1	1.3	150	R-1
1F5G	1F5G	600	1	75	25	5	1	1.3	250	R-1
1F6G	1F6G	800	1	75	25	5	1	1.3	500	R-1
1F7G	1F7G	1000	1	75	25	5	1	1.3	500	R-1
1H1G	1H1	50	1	75	30	5	1	1	50	R-1
1H2G	1H2	100	1	75	30	5	1	1	50	R-1
1H3G	1H3	200	1	75	30	5	1	1	50	R-1
1H4G	1H4	300	1	75	30	5	1	1.3	50	R-1
1H5G	1H5	400	1	75	30	5	1	1.3	50	R-1
1H6G	1H6	600	1	75	30	5	1	1.85	75	R-1



1.11 2 Pin Rectifier Diodes

Device	Device Marking	Maximum Peak Reverse Voltage	Maximum Average Rectified Current @ Half-Wave Resistive Load 60Hz		Maximum Forward Peak Surge Current @ 8.3ms Superimposed	Maximum Reverse Current @ PRV @ T _A =25°C	Maximum Forward Voltage @ T _A =25°C		Maximum Reverse Recovery Time	Package
		PRV	I _O @ T _L		I _{FM} (Surge)	I _R	I _{FM}	V _{FM}	t _{rr}	
		V _{PK}	A _{AV}	°C	A _{PK}	µA	A _{PK}	V _{PK}	ns	
1H7G	1H7	800	1	75	30	5	1	1.85	75	R-1
1H8G	1H8	1000	1	75	30	5	1	1.85	75	R-1
1E1G	1E1G	50	1	75	30	5	1	0.95	35	R-1
1E2G	1E2G	100	1	75	30	5	1	0.95	35	R-1
1E2AG	1E2AG	200	1	75	30	5	1	0.95	35	R-1
1E3G	1E3G	400	1	75	30	5	1	0.95	35	R-1
1E3AG	1E3AG	600	1	75	30	5	1	1.25	35	R-1
1E4G	1E4G	800	1	75	30	5	1	1.25	35	R-1
1E5G	1E5G	1000	1	75	30	5	1	1.7	35	R-1
1N5391G	1N5391G	50	1.5	75	50	5	1.5	1.4	-	DO-15
1N5392G	1N5392G	100	1.5	75	50	5	1.5	1.4	-	DO-15
1N5393G	1N5393G	200	1.5	75	50	5	1.5	1.4	-	DO-15
1N5394G	1N5394G	300	1.5	75	50	5	1.5	1.4	-	DO-15
1N5395G	1N5395G	400	1.5	75	50	5	1.5	1.4	-	DO-15
1N5396G	1N5396G	500	1.5	75	50	5	1.5	1.4	-	DO-15
1N5397G	1N5397G	600	1.5	75	50	5	1.5	1.4	-	DO-15
1N5398G	1N5398G	800	1.5	75	50	5	1.5	1.4	-	DO-15
1N5399G	1N5399G	1000	1.5	75	50	5	1.5	1.4	-	DO-15
RL151G	RL151G	50	1.5	75	60	5	1.5	1.1	-	DO-15
RL152G	RL152G	100	1.5	75	60	5	1.5	1.1	-	DO-15
RL153G	RL153G	200	1.5	75	60	5	1.5	1.1	-	DO-15
RL154G	RL154G	400	1.5	75	60	5	1.5	1.1	-	DO-15
RL155G	RL155G	600	1.5	75	60	5	1.5	1.1	-	DO-15
RL156G	RL156G	800	1.5	75	60	5	1.5	1.1	-	DO-15
RL157G	RL157G	1000	1.5	75	60	5	1.5	1.1	-	DO-15
FR151G	FR151G	50	1.5	55	60	5	1.5	1.3	150	DO-15
FR152G	FR152G	100	1.5	55	60	5	1.5	1.3	150	DO-15
FR153G	FR153G	200	1.5	55	60	5	1.5	1.3	150	DO-15
FR154G	FR154G	400	1.5	55	60	5	1.5	1.3	150	DO-15
FR155G	FR155G	600	1.5	55	60	5	1.5	1.3	250	DO-15
FR155PG	FR155PG	600	1.5	55	60	5	1.5	1.3	150	DO-15
FR156G	FR156G	800	1.5	55	60	5	1.5	1.3	500	DO-15
FR157G	FR157G	1000	1.5	55	60	5	1.5	1.3	500	DO-15
FR157PG	FR157PG	1000	1.5	55	60	5	1.5	1.3	250	DO-15
RGP15A	RGP15A	50	1.5	55	50	5	1.5	1.3	150	DO-15
RGP15B	RGP15B	100	1.5	55	50	5	1.5	1.3	150	DO-15
RGP15D	RGP15D	200	1.5	55	50	5	1.5	1.3	150	DO-15

1.12 2 Pin Rectifier Diodes

Device	Device Marking	Maximum Peak Reverse Voltage	Maximum Average Rectified Current @ Half-Wave Resistive Load 60Hz		Maximum Forward Peak Surge Current @ 8.3ms Superimposed	Maximum Reverse Current @ PRV @ T _A =25°C	Maximum Forward Voltage @ T _A =25°C		Maximum Reverse Recovery Time	Package
		PRV	I _O @ T _L		I _{FM} (Surge)	I _R	I _{FM}	V _{FM}	t _{rr}	
		V _{PK}	A _{AV}	°C	A _{PK}	μA	A _{PK}	V _{PK}	ns	
RGP15G	RGP15G	400	1.5	55	50	5	1.5	1.3	150	DO-15
RGP15J	RGP15J	600	1.5	55	50	5	1.5	1.3	250	DO-15
RGP15K	RGP15K	800	1.5	55	50	5	1.5	1.3	500	DO-15
RGP15M	RGP15M	1000	1.5	55	50	5	1.5	1.3	500	DO-15
RGP15MA	RGP15MA	1000	1.5	55	50	5	1.5	1.3	300	DO-15
EGP15A	EGP15A	50	1.5	55	50	5	1.5	1	50	DO-15
EGP15B	EGP15B	100	1.5	55	50	5	1.5	1	50	DO-15
EGP15C	EGP15C	150	1.5	55	50	5	1.5	1	50	DO-15
EGP15D	EGP15D	200	1.5	55	50	5	1.5	1	50	DO-15
EGP15F	EGP15F	300	1.5	55	50	5	1.5	1.25	50	DO-15
EGP15G	EGP15G	400	1.5	55	50	5	1.5	1.25	50	DO-15
EGP15J	EGP15J	600	1.5	55	45	5	1.5	1.7	75	DO-15
EGP15K	EGP15K	800	1.5	55	45	5	1.5	1.7	75	DO-15
EGP15M	EGP15M	1000	1.5	55	45	5	1.5	1.7	75	DO-15
UGP15A	UGP15A	50	1.5	55	50	5	1.5	0.95	35	DO-15
UGP15B	UGP15B	100	1.5	55	50	5	1.5	0.95	35	DO-15
UGP15D	UGP15D	200	1.5	55	50	5	1.5	0.95	35	DO-15
UGP15F	UGP15F	300	1.5	55	50	5	1.5	1.25	35	DO-15
UGP15G	UGP15G	400	1.5	55	50	5	1.5	1.25	35	DO-15
UGP15J	UGP15J	600	1.5	55	50	5	1.5	1.7	35	DO-15
UGP15K	UGP15K	800	1.5	55	50	5	1.5	2.2	35	DO-15
HER201G	HER201G	50	2	55	60	5	2	1	50	DO-15
HER202G	HER202G	100	2	55	60	5	2	1	50	DO-15
HER203G	HER203G	200	2	55	60	5	2	1	50	DO-15
HER204G	HER204G	300	2	55	60	5	2	1.3	50	DO-15
HER205G	HER205G	400	2	55	60	5	2	1.3	50	DO-15
HER206G	HER206G	600	2	55	60	5	2	1.85	75	DO-15
HER207G	HER207G	800	2	55	60	5	2	1.85	75	DO-15
HER208G	HER208G	1000	2	55	60	5	2	1.85	75	DO-15
SF21G	SF21G	50	2	75	75	5	2	0.95	35	DO-15
SF22G	SF22G	100	2	75	75	5	2	0.95	35	DO-15
SF23G	SF23G	150	2	75	75	5	2	0.95	35	DO-15
SF24G	SF24G	200	2	75	75	5	2	0.95	35	DO-15
SF25G	SF25G	300	2	75	75	5	2	1.25	35	DO-15
SF26G	SF26G	400	2	75	75	5	2	1.25	35	DO-15
SF27G	SF27G	500	2	75	75	5	2	1.7	35	DO-15
SF28G	SF28G	600	2	75	75	5	2	1.7	35	DO-15



1.13 2 Pin Rectifier Diodes

Device	Device Marking	Maximum Peak Reverse Voltage	Maximum Average Rectified Current @ Half-Wave Resistive Load 60Hz		Maximum Forward Peak Surge Current @ 8.3ms Superimposed	Maximum Reverse Current @ PRV @ T _A =25°C	Maximum Forward Voltage @ T _A =25°C		Maximum Reverse Recovery Time	Package		
			I _O @ T _L				I _{FM} (Surge)	I _R			I _{FM}	V _{FM}
			V _{PK}	A _{AV}							°C	A _{PK}
UG2A	UG2A	50	2	55	80	5	2	0.95	15	DO-15		
UG2B	UG2B	100	2	55	80	5	2	0.95	15	DO-15		
UG2C	UG2C	150	2	55	80	5	2	0.95	15	DO-15		
UG2D	UG2D	200	2	55	80	5	2	0.95	15	DO-15		
1N5400G	1N5400G	50	3	75	200	10	3	1.1	-	DO-201AD		
1N5401G	1N5401G	100	3	75	200	10	3	1.1	-	DO-201AD		
1N5402G	1N5402G	200	3	75	200	10	3	1.1	-	DO-201AD		
1N5403G	1N5403G	300	3	75	200	10	3	1.1	-	DO-201AD		
1N5404G	1N5404G	400	3	75	200	10	3	1.1	-	DO-201AD		
1N5405G	1N5405G	500	3	75	200	10	3	1.1	-	DO-201AD		
1N5406G	1N5406G	600	3	75	200	10	3	1.1	-	DO-201AD		
1N5407G	1N5407G	800	3	75	200	10	3	1.1	-	DO-201AD		
1N5408G	1N5408G	1000	3	75	200	10	3	1.1	-	DO-201AD		
FR301G	FR301G	50	3	55	150	10	3	1.3	150	DO-201AD		
FR302G	FR302G	100	3	55	150	10	3	1.3	150	DO-201AD		
FR303G	FR303G	200	3	55	150	10	3	1.3	150	DO-201AD		
FR304G	FR304G	400	3	55	150	10	3	1.3	150	DO-201AD		
FR305G	FR305G	600	3	55	150	10	3	1.3	250	DO-201AD		
FR305PG	FR305PG	600	3	55	150	10	3	1.3	150	DO-201AD		
FR306G	FR306G	800	3	55	150	10	3	1.3	500	DO-201AD		
FR307G	FR307G	1000	3	55	150	10	3	1.3	500	DO-201AD		
FR307PG	FR307PG	1000	3	55	150	10	3	1.3	250	DO-201AD		
RGP30A	RGP30A	50	3	55	125	10	3	1.3	150	DO-201AD		
RGP30B	RGP30B	100	3	55	125	10	3	1.3	150	DO-201AD		
RGP30D	RGP30D	200	3	55	125	10	3	1.3	150	DO-201AD		
RGP30G	RGP30G	400	3	55	125	10	3	1.3	150	DO-201AD		
RGP30J	RGP30J	600	3	55	125	10	3	1.3	250	DO-201AD		
RGP30K	RGP30K	800	3	55	125	10	3	1.3	500	DO-201AD		
RGP30M	RGP30M	1000	3	55	125	10	3	1.3	500	DO-201AD		
HER301G	HER301G	50	3	55	150	10	3	1	50	DO-201AD		
HER302G	HER302G	100	3	55	150	10	3	1	50	DO-201AD		
HER303G	HER303G	200	3	55	150	10	3	1	50	DO-201AD		
HER304G	HER304G	300	3	55	150	10	3	1.3	50	DO-201AD		
HER305G	HER305G	400	3	55	150	10	3	1.3	50	DO-201AD		
HER306G	HER306G	600	3	55	125	10	3	1.85	75	DO-201AD		
HER307G	HER307G	800	3	55	125	10	3	1.85	75	DO-201AD		
HER308G	HER308G	1000	3	55	125	10	3	1.85	75	DO-201AD		

1.14 2 Pin Rectifier Diodes

Device	Device Marking	Maximum Peak Reverse Voltage	Maximum Average Rectified Current @ Half-Wave Resistive Load 60Hz		Maximum Forward Peak Surge Current @ 8.3ms Superimposed	Maximum Reverse Current @ PRV @ T _A =25°C	Maximum Forward Voltage @ T _A =25°C		Maximum Reverse Recovery Time	Package
		PRV	I _O @ T _L		I _{FM} (Surge)	I _R	I _{FM}	V _{FM}	t _{rr}	
		V _{PK}	A _{AV}	°C	A _{PK}	μA	A _{PK}	V _{PK}	ns	
EGP30A	EGP30A	50	3	55	125	10	3	0.95	50	DO-201AD
EGP30B	EGP30B	100	3	55	125	10	3	0.95	50	DO-201AD
EGP30C	EGP30C	150	3	55	125	10	3	0.95	50	DO-201AD
EGP30D	EGP30D	200	3	55	125	10	3	0.95	50	DO-201AD
EGP30F	EGP30F	300	3	55	125	10	3	1.25	50	DO-201AD
EGP30G	EGP30G	400	3	55	125	10	3	1.25	50	DO-201AD
EGP30J	EGP30J	600	3	55	125	10	3	1.7	75	DO-201AD
EGP30K	EGP30K	800	3	55	125	10	3	1.7	75	DO-201AD
EGP30M	EGP30M	1000	3	55	125	10	3	1.7	75	DO-201AD
UGP30A	UGP30A	50	3	55	125	10	3	0.95	35	DO-201AD
UGP30B	UGP30B	100	3	55	125	10	3	0.95	35	DO-201AD
UGP30D	UGP30D	200	3	55	125	10	3	0.95	35	DO-201AD
UGP30F	UGP30F	300	3	55	125	10	3	1.25	35	DO-201AD
UGP30G	UGP30G	400	3	55	125	10	3	1.25	35	DO-201AD
UGP30J	UGP30J	600	3	55	115	10	3	1.7	35	DO-201AD
UGP30K	UGP30K	800	3	55	115	10	3	2.2	35	DO-201AD
SF31G	SF31G	50	3	55	150	10	3	0.95	35	DO-201AD
SF32G	SF32G	100	3	55	150	10	3	0.95	35	DO-201AD
SF33G	SF33G	150	3	55	150	10	3	0.95	35	DO-201AD
SF34G	SF34G	200	3	55	150	10	3	0.95	35	DO-201AD
SF35G	SF35G	300	3	55	150	10	3	1.25	35	DO-201AD
SF36G	SF36G	400	3	55	150	10	3	1.25	35	DO-201AD
SF38G	SF38G	600	3	55	150	10	3	1.25	35	DO-201AD
LUR405	LUR405	50	4	25	125	5	4	0.93	35	DO-201AD
LUR410	LUR410	100	4	25	125	5	4	0.93	35	DO-201AD
LUR415	LUR415	150	4	25	125	5	4	0.93	35	DO-201AD
LUR420	LUR420	200	4	25	125	5	4	0.93	35	DO-201AD
LUR440	LUR440	400	4	25	70	5	4	1.25	50	DO-201AD
LUR450	LUR450	500	4	25	70	5	4	1.25	50	DO-201AD
LUR460	LUR460	600	4	25	70	5	4	1.5	50	DO-201AD
UG4A	UG4A	50	4	55	150	5	4	0.95	20	DO-201AD
UG4B	UG4B	100	4	55	150	5	4	0.95	20	DO-201AD
UG4C	UG4C	150	4	55	150	5	4	0.95	20	DO-201AD
UG4D	UG4D	200	4	55	150	5	4	0.95	20	DO-201AD
SF51G	SF51G	50	5	55	150	10	5	0.95	35	DO-201AD
SF52G	SF52G	100	5	55	150	10	5	0.95	35	DO-201AD
SF53G	SF53G	150	5	55	150	10	5	0.95	35	DO-201AD



1.15 2 Pin Rectifier Diodes

Device	Device Marking	Maximum Peak Reverse Voltage	Maximum Average Rectified Current @ Half-Wave Resistive Load 60Hz			Maximum Forward Peak Surge Current @ 8.3ms Superimposed	Maximum Reverse Current @ PRV @ T _A =25°C	Maximum Forward Voltage @ T _A =25°C		Maximum Reverse Recovery Time	Package
			PRV	I _O @ T _L				I _{FM} (Surge)	I _R		
		V _{PK}	A _{AV}	°C	A _{PK}	μA	A _{PK}	V _{PK}	t _{rr} ns		
SF54G	SF54G	200	5	55	150	10	5	0.95	35	DO-201AD	
SF55G	SF55G	300	5	55	150	10	5	1.25	35	DO-201AD	
SF56G	SF56G	400	5	55	150	10	5	1.25	35	DO-201AD	
SF58G	SF58G	600	5	55	150	10	5	1.7	35	DO-201AD	
SF601G	SF601G	50	6	55	150	10	6	0.95	35	DO-201AD	
SF602G	SF602G	100	6	55	150	10	6	0.95	35	DO-201AD	
SF603G	SF603G	150	6	55	150	10	6	0.95	35	DO-201AD	
SF604G	SF604G	200	6	55	150	10	6	0.95	35	DO-201AD	
SF605G	SF605G	300	6	55	150	10	6	1.25	35	DO-201AD	
SF606G	SF606G	400	6	55	150	10	6	1.25	35	DO-201AD	
SF608G	SF608G	600	6	55	150	10	6	1.7	35	DO-201AD	
SF61G	SF61G	50	6	55	150	10	6	0.95	35	R-6	
SF62G	SF62G	100	6	55	150	10	6	0.95	35	R-6	
SF63G	SF63G	150	6	55	150	10	6	0.95	35	R-6	
SF64G	SF64G	200	6	55	150	10	6	0.95	35	R-6	
SF65G	SF65G	300	6	55	150	10	6	1.25	35	R-6	
SF66G	SF66G	400	6	55	150	10	6	1.25	35	R-6	
SF68G	SF68G	600	6	55	150	10	6	1.7	35	R-6	

TRANSIENT VOLTAGE SUPPRESSOR

1. Transient Voltage Suppressor

Uni-Directional Part Number	Bid-Directional Part Number	Marking		V _{WM} (V)	V _{BR} (V)@I _t		I _t (mA)	V _c (V)	I _{ppm} (A)	I _R (μA)	Package ● Available for auto- motive applications
		Uni	Bid		Min	Max					
SODJ5.0A-SH	SODJ5.0CA-SH	KE	AE	5	6.4	7	10	9.2	21.7	400	SOD123-FL ●
SODJ6.0A-SH	SODJ6.0CA-SH	KG	AG	6	6.67	7.37	10	10.3	19.4	400	SOD123-FL ●
SODJ6.5A-SH	SODJ6.5CA-SH	KK	AK	6.5	7.22	7.98	10	11.2	17.8	250	SOD123-FL ●
SODJ7.0A-SH	SODJ7.0CA-SH	KM	AM	7	7.78	8.6	10	12	16.6	100	SOD123-FL ●
SODJ7.5A-SH	SODJ7.5CA-SH	KP	AP	7.5	8.33	9.21	1	12.9	15.5	50	SOD123-FL ●
SODJ8.0A-SH	SODJ8.0CA-SH	KR	AR	8	8.89	9.83	1	13.6	14.7	25	SOD123-FL ●
SODJ8.5A-SH	SODJ8.5CA-SH	KT	AT	8.5	9.44	10.4	1	14.4	13.8	10	SOD123-FL ●
SODJ9.0A-SH	SODJ9.0CA-SH	KV	AV	9	10	11.1	1	15.4	12.9	5	SOD123-FL ●
SODJ10A-SH	SODJ10CA-SH	KX	AX	10	11.1	12.3	1	17	11.7	2.5	SOD123-FL ●
SODJ11A-SH	SODJ11CA-SH	KZ	AZ	11	12.2	13.5	1	18.2	10.9	2.5	SOD123-FL ●
SODJ12A-SH	SODJ12CA-SH	LE	BE	12	13.3	14.7	1	19.9	10	2.5	SOD123-FL ●
SODJ13A-SH	SODJ13CA-SH	LG	BG	13	14.4	15.9	1	21.5	9.3	1	SOD123-FL ●
SODJ14A-SH	SODJ14CA-SH	LK	BK	14	15.6	17.2	1	23.2	8.6	1	SOD123-FL ●
SODJ15A-SH	SODJ15CA-SH	LM	BM	15	16.7	18.5	1	24.4	8.1	1	SOD123-FL ●
SODJ16A-SH	SODJ16CA-SH	LP	BP	16	17.8	19.7	1	26	7.6	1	SOD123-FL ●
SODJ17A-SH	SODJ17CA-SH	LR	BR	17	18.9	20.9	1	27.6	7.2	1	SOD123-FL ●
SODJ18A-SH	SODJ18CA-SH	LT	BT	18	20	22.1	1	29.2	6.8	1	SOD123-FL ●
SODJ20A-SH	SODJ20CA-SH	LV	BV	20	22.2	24.5	1	32.4	6.1	1	SOD123-FL ●
SODJ22A-SH	SODJ22CA-SH	LX	BZ	22	24.4	26.9	1	35.5	5.6	1	SOD123-FL ●
SODJ24A-SH	SODJ24CA-SH	LZ	BZ	24	26.7	29.5	1	38.9	5.1	1	SOD123-FL ●
SODJ26A-SH	SODJ26CA-SH	ME	CE	26	28.9	31.9	1	42.1	4.7	1	SOD123-FL ●
SODJ28A-SH	SODJ28CA-SH	MG	CG	28	31.1	34.4	1	45.4	4.4	1	SOD123-FL ●
SODJ30A-SH	SODJ30CA-SH	MK	CK	30	33.3	36.8	1	48.4	4.1	1	SOD123-FL ●
SODJ33A-SH	SODJ33CA-SH	MM	CM	33	36.7	40.6	1	53.3	3.7	1	SOD123-FL ●
SODJ36A-SH	SODJ36CA-SH	MP	CP	36	40	44.2	1	58.1	3.4	1	SOD123-FL ●
SODJ40A-SH	SODJ40CA-SH	MR	CR	40	44.4	49.1	1	64.5	3.1	1	SOD123-FL ●
SODJ43A-SH	SODJ43CA-SH	MT	CT	43	47.8	52.8	1	69.4	2.8	1	SOD123-FL ●
SODJ45A-SH	SODJ45CA-SH	MV	CV	45	50	55.3	1	72.7	2.7	1	SOD123-FL ●
SODJ48A-SH	SODJ48CA-SH	MX	CX	48	53.3	58.9	1	77.4	2.5	1	SOD123-FL ●
SODJ51A-SH	SODJ51CA-SH	MZ	CZ	51	56.7	62.7	1	82.4	2.4	1	SOD123-FL ●
SODJ54A-SH	SODJ54CA-SH	NE	DE	54	60	66.3	1	87.1	2.2	1	SOD123-FL ●
SODJ58A-SH	SODJ58CA-SH	NG	DG	58	64.4	71.2	1	93.6	2.1	1	SOD123-FL ●
SODJ60A-SH	SODJ60CA-SH	NK	DK	60	66.7	73.7	1	96.8	2	1	SOD123-FL ●
SODJ64A-SH	SODJ64CA-SH	NM	DM	64	71.1	78.6	1	103	1.9	1	SOD123-FL ●
SODJ70A-SH	SODJ70CA-SH	NP	DP	70	77.8	86	1	113	1.7	1	SOD123-FL ●



1. 1 Transient Voltage Suppressor

Uni-Directional Part Number	Bid-Directional Part Number	Marking		V _{WM} (V)	V _{BR} (V)@I _t		I _t (mA)	V _C (V)	I _{ppm} (A)	I _R (μA)	Package
		Uni	Bid		Min	Max					
SODJ75A-SH	SODJ75CA-SH	NR	DR	75	83.3	92.1	1	121	1.6	1	SOD123-FL
SODJ78A-SH	SODJ78CA-SH	NT	DT	78	86.7	95.8	1	126	1.5	1	SOD123-FL
SODJ85A-SH	SODJ85CA-SH	NV	DV	85	94.4	104	1	137	1.4	1	SOD123-FL
SODJ90A-SH	SODJ90CA-SH	NX	DX	90	100	111	1	146	1.3	1	SOD123-FL
SODJ100A-SH	SODJ100CA-SH	NZ	DZ	100	111	123	1	162	1.2	1	SOD123-FL
SODJ110A-SH	SODJ110CA-SH	PE	EE	110	122	135	1	177	1.1	1	SOD123-FL
SODJ120A-SH	SODJ120CA-SH	PG	EG	120	133	147	1	193	1	1	SOD123-FL
SODJ130A-SH	SODJ130CA-SH	PK	EK	130	144	159	1	209	0.9	1	SOD123-FL
SODJ150A-SH	SODJ150CA-SH	PM	EM	150	167	185	1	243	0.8	1	SOD123-FL
SODJ160A-SH	SODJ160CA-SH	PP	EP	160	178	197	1	259	0.7	1	SOD123-FL
SODJ170A-SH	SODJ170CA-SH	PR	ER	170	189	209	1	275	0.7	1	SOD123-FL
SMAJ5.0A	SMAJ5.0CA	AE	AE	5	6.4	7	10	9.2	43.5	800	SMA
SMAJ6.0A	SMAJ6.0CA	AG	AG	6	6.67	7.37	10	10.3	38.8	800	SMA
SMAJ6.5A	SMAJ6.5CA	AK	AK	6.5	7.22	7.98	1	11.2	35.7	500	SMA
SMAJ7.0A	SMAJ7.0CA	AM	AM	7	7.78	8.6	1	12	33.3	200	SMA
SMAJ7.5A	SMAJ7.5CA	AP	AP	7.5	8.33	9.21	1	12.9	31	100	SMA
SMAJ8.0A	SMAJ8.0CA	AR	AR	8	8.89	9.83	1	13.6	29.4	50	SMA
SMAJ8.5A	SMAJ8.5CA	AT	AT	8.5	9.44	10.4	1	14.4	27.7	10	SMA
SMAJ9.0A	SMAJ9.0CA	AV	AV	9	10	11.1	1	15.4	26	5	SMA
SMAJ10A	SMAJ10CA	AX	AX	10	11.1	12.3	1	17	23.5	5	SMA
SMAJ11A	SMAJ11CA	AZ	AZ	11	12.2	13.5	1	18.2	22	5	SMA
SMAJ12A	SMAJ12CA	BE	BE	12	13.3	14.7	1	19.9	20.1	5	SMA
SMAJ13A	SMAJ13CA	BG	BG	13	14.4	15.9	1	21.5	18.6	5	SMA
SMAJ14A	SMAJ14CA	BK	BK	14	15.6	17.2	1	23.2	17.2	5	SMA
SMAJ15A	SMAJ15CA	BM	BM	15	16.7	18.5	1	24.4	16.4	5	SMA
SMAJ16A	SMAJ16CA	BP	BP	16	17.8	19.7	1	26	15.3	5	SMA
SMAJ17A	SMAJ17CA	BR	BR	17	18.9	20.9	1	27.6	14.5	5	SMA
SMAJ18A	SMAJ18CA	BT	BT	18	20	22.1	1	29.2	13.7	5	SMA
SMAJ20A	SMAJ20CA	BV	BV	20	22.2	24.5	1	32.4	12.3	5	SMA
SMAJ22A	SMAJ22CA	BX	BX	22	24.4	26.9	1	35.5	11.2	5	SMA
SMAJ24A	SMAJ24CA	BZ	BZ	24	26.7	29.5	1	38.9	10.3	5	SMA
SMAJ26A	SMAJ26CA	CE	CE	26	28.9	31.9	1	42.1	9.5	5	SMA
SMAJ28A	SMAJ28CA	CG	CG	28	31.1	34.4	1	45.4	8.8	5	SMA
SMAJ30A	SMAJ30CA	CK	CK	30	33.3	36.8	1	48.4	8.3	5	SMA
SMAJ33A	SMAJ33CA	CM	CM	33	36.7	40.6	1	53.3	7.5	5	SMA
SMAJ36A	SMAJ36CA	CP	CP	36	40	44.2	1	58.1	6.9	5	SMA
SMAJ40A	SMAJ40CA	CR	CR	40	44.4	49.1	1	64.5	6.2	5	SMA
SMAJ43A	SMAJ43CA	CT	CT	43	47.8	52.8	1	69.4	5.7	5	SMA
SMAJ45A	SMAJ45CA	CV	CV	45	50	55.3	1	72.7	5.5	5	SMA
SMAJ48A	SMAJ48CA	CX	CX	48	53.5	58.9	1	77.4	5.2	5	SMA

1.2 Transient Voltage Suppressor

Uni-Directional Part Number	Bid-Directional Part Number	Marking		V_{WM} (V)	$V_{BR}(V)@I_t$		I_t (mA)	V_C (V)	I_{ppm} (A)	I_R (μA)	Package ● Available for auto- motive applications
		Uni	Bid		Min	Max					
SMAJ51A	SMAJ51CA	CZ	CZ	51	56.7	62.7	1	82.4	4.9	5	SMA
SMAJ54A	SMAJ54CA	RE	RE	54	60	66.3	1	87.1	4.6	5	SMA
SMAJ58A	SMAJ58CA	RG	RG	58	64.4	71.2	1	93.6	4.3	5	SMA
SMAJ60A	SMAJ60CA	RK	RK	60	66.7	73.7	1	113	4.1	5	SMA
SMAJ64A	SMAJ64CA	RM	RM	64	71.1	78.6	1	103	3.9	5	SMA
SMAJ70A	SMAJ70CA	RP	RP	70	77.8	86	1	113	4.1	5	SMA
SMAJ75A	SMAJ75CA	RR	RR	75	83.3	92.1	1	121	3.3	5	SMA
SMAJ78A	SMAJ78CA	RT	RT	78	86.7	95.8	1	126	2.2	5	SMA
SMAJ85A	SMAJ85CA	RV	RV	85	94.4	104	1	137	2.9	5	SMA
SMAJ90A	SMAJ90CA	RX	RX	90	100	111	1	146	2.7	5	SMA
SMAJ100A	SMAJ100CA	RZ	RZ	100	111	123	1	156	2.5	5	SMA
SMAJ110A	SMAJ110CA	SE	SE	110	122	135	1	177	2.3	5	SMA
SMAJ120A	SMAJ120CA	SG	SG	120	133	147	1	193	2	5	SMA
SMAJ130A	SMAJ130CA	SK	SK	130	144	159	1	209	1.9	5	SMA
SMAJ150A	SMAJ150CA	SM	SM	150	167	185	1	243	1.6	5	SMA
SMAJ160A	SMAJ160CA	SP	SP	160	178	197	1	259	1.4	5	SMA
SMAJ170A	SMAJ170CA	SR	SR	170	189	209	1	275	1.4	5	SMA
SMAJ180A	SMAJ180CA	ST	ST	180	198	221	1	291	1.4	5	SMA
SMAJ190A	SMAJ190CA	SV	SV	190	209	231	1	307	1.3	5	SMA
SMAJ200A	SMAJ200CA	SX	SX	200	224	247	1	324	1.2	5	SMA
SMAFJ5.0A	SMAFJ5.0CA	5.0A	5.0A	5	6.4	7	10	9.2	43.5	800	SMA-FL
SMAFJ6.0A	SMAFJ6.0CA	6.0A	6.0A	6	6.67	7.37	10	10.3	38.8	800	SMA-FL
SMAFJ6.5A	SMAFJ6.5CA	6.5A	6.5A	6.5	7.22	7.98	1	11.2	35.7	500	SMA-FL
SMAFJ7.0A	SMAFJ7.0CA	7.0A	7.0A	7	7.78	8.6	1	12	33.3	200	SMA-FL
SMAFJ7.5A	SMAFJ7.5CA	7.5A	7.5A	7.5	8.33	9.21	1	12.9	31	100	SMA-FL
SMAFJ8.0A	SMAFJ8.0CA	8.0A	8.0A	8	8.89	9.83	1	13.6	29.4	50	SMA-FL
SMAFJ8.5A	SMAFJ8.5CA	8.5A	8.5A	8.5	9.44	10.4	1	14.4	27.7	10	SMA-FL
SMAFJ9.0A	SMAFJ9.0CA	9.0A	9.0A	9	10	11.1	1	15.4	26	5	SMA-FL
SMAFJ10A	SMAFJ10CA	10A	10A	10	11.1	12.3	1	17	23.5	5	SMA-FL
SMAFJ11A	SMAFJ11CA	11A	11A	11	12.2	13.5	1	18.2	22	5	SMA-FL
SMAFJ12A	SMAFJ12CA	12A	12A	12	13.3	14.7	1	19.9	20.1	5	SMA-FL
SMAFJ13A	SMAFJ13CA	13A	13A	13	14.4	15.9	1	21.5	18.6	5	SMA-FL
SMAFJ14A	SMAFJ14CA	14A	14A	14	15.6	17.2	1	23.2	17.2	5	SMA-FL
SMAFJ15A	SMAFJ15CA	15A	15A	15	16.7	18.5	1	24.4	16.4	5	SMA-FL
SMAFJ16A	SMAFJ16CA	16A	16A	16	17.8	19.7	1	26	15.3	5	SMA-FL
SMAFJ17A	SMAFJ17CA	17A	17A	17	18.9	20.9	1	27.6	14.5	5	SMA-FL
SMAFJ18A	SMAFJ18CA	18A	18A	18	20	22.1	1	29.2	13.7	5	SMA-FL
SMAFJ20A	SMAFJ20CA	20A	20A	20	22.2	24.5	1	32.4	12.3	5	SMA-FL
SMAFJ22A	SMAFJ22CA	22A	22A	22	24.4	26.9	1	35.5	11.2	5	SMA-FL ●
SMAFJ24A	SMAFJ24CA	24A	24A	24	26.7	29.5	1	38.9	10.3	5	SMA-FL



1.3 Transient Voltage Suppressor

Uni-Directional Part Number	Bid-Directional Part Number	Marking		V_{WM} (V)	$V_{BR}(V)@I_t$		I_t (mA)	V_c (V)	I_{ppm} (A)	I_R (μ A)	Package
		Uni	Bid		Min	Max					
SMAFJ26A	SMAFJ26CA	26A	26A	26	28.9	31.9	1	42.1	9.5	5	SMA-FL
SMAFJ28A	SMAFJ28CA	28A	28A	28	31.1	34.4	1	45.4	8.8	5	SMA-FL
SMAFJ30A	SMAFJ30CA	30A	30A	30	33.3	36.8	1	48.4	8.3	5	SMA-FL
SMAFJ33A	SMAFJ33CA	33A	33A	33	36.7	40.6	1	53.3	7.5	5	SMA-FL
SMAFJ36A	SMAFJ36CA	36A	36A	36	40	44.2	1	58.1	6.9	5	SMA-FL
SMAFJ40A	SMAFJ40CA	40A	40A	40	44.4	49.1	1	64.5	6.2	5	SMA-FL
SMAFJ43A	SMAFJ43CA	43A	43A	43	47.8	52.8	1	69.4	5.7	5	SMA-FL
SMAFJ45A	SMAFJ45CA	45A	45A	45	50	55.3	1	72.7	5.5	5	SMA-FL
SMAFJ48A	SMAFJ48CA	48A	48A	48	53.5	58.9	1	77.4	5.2	5	SMA-FL
SMAFJ51A	SMAFJ51CA	51A	51A	51	56.7	62.7	1	82.4	4.9	5	SMA-FL
SMAFJ54A	SMAFJ54CA	54A	54A	54	60	66.3	1	87.1	4.6	5	SMA-FL
SMAFJ58A	SMAFJ58CA	58A	58A	58	64.4	71.2	1	93.6	4.3	5	SMA-FL
SMAFJ60A	SMAFJ60CA	60A	60A	60	66.7	73.7	1	113	4.1	5	SMA-FL
SMAFJ64A	SMAFJ64CA	64A	64A	64	71.1	78.6	1	103	3.9	5	SMA-FL
SMAFJ70A	SMAFJ70CA	70A	70A	70	77.8	86	1	113	4.1	5	SMA-FL
SMAFJ75A	SMAFJ75CA	75A	75A	75	83.3	92.1	1	121	3.3	5	SMA-FL
SMAFJ78A	SMAFJ78CA	78A	78A	78	86.7	95.8	1	126	2.2	5	SMA-FL
SMAFJ85A	SMAFJ85CA	85A	85A	85	94.4	104	1	137	2.9	5	SMA-FL
SMAFJ90A	SMAFJ90CA	90A	90A	90	100	111	1	146	2.7	5	SMA-FL
SMAFJ100A	SMAFJ100CA	100A	100A	100	111	123	1	156	2.5	5	SMA-FL
SMAFJ110A	SMAFJ110CA	110A	110A	110	122	135	1	177	2.3	5	SMA-FL
SMAFJ120A	SMAFJ120CA	120A	120A	120	133	147	1	193	2	5	SMA-FL
SMAFJ130A	SMAFJ130CA	130A	130A	130	144	159	1	209	1.9	5	SMA-FL
SMAFJ150A	SMAFJ150CA	150A	150A	150	167	185	1	243	1.6	5	SMA-FL
SMAFJ160A	SMAFJ160CA	160A	160A	160	178	197	1	259	1.4	5	SMA-FL
SMAFJ170A	SMAFJ170CA	170A	170A	170	189	209	1	275	1.4	5	SMA-FL
SMAFJ180A	SMAFJ180CA	180A	180A	180	198	221	1	291	1.4	5	SMA-FL
SMAFJ190A	SMAFJ190CA	190A	190A	190	209	231	1	307	1.3	5	SMA-FL
SMAFJ200A	SMAFJ200CA	200A	200A	200	224	247	1	324	1.2	5	SMA-FL
P6SMA6.8A	P6SMA6.8CA	6.8A		5.8	6.45	7.14	10	10.5	57.1	1000	SMA
P6SMA7.5A	P6SMA7.5CA	7.5A	7.5A	6.4	7.13	7.88	10	11.3	53.1	500	SMA
P6SMA8.2A	P6SMA8.2CA	8.2A	8.2A	7.02	7.79	8.61	10	12.1	49.6	200	SMA
P6SMA9.1A	P6SMA9.1CA	9.1A	9.1A	7.78	8.65	9.5	1	13.4	44.8	50	SMA
P6SMA10A	P6SMA10CA	10A	10A	8.55	9.5	10.5	1	14.5	41.4	10	SMA
P6SMA11A	P6SMA11CA	11A	11A	9.4	10.5	11.6	1	15.6	38.5	1	SMA
P6SMA12A	P6SMA12CA	12A	12A	10.2	11.4	12.6	1	16.7	35.9	1	SMA
P6SMA13A	P6SMA13CA	13A	13A	11.1	12.4	13.7	1	18.2	33	1	SMA
P6SMA15A	P6SMA15CA	15A	15A	12.8	14.3	15.8	1	21.2	28.3	1	SMA
P6SMA16A	P6SMA16CA	16A	16A	13.6	15.2	16.8	1	22.5	26.7	1	SMA
P6SMA18A	P6SMA18CA	18A	18A	15.3	17.1	18.9	1	25.2	23.8	1	SMA

1.4 Transient Voltage Suppressor

Uni-Directional Part Number	Bid-Directional Part Number	Marking		V _{WM} (V)	V _{BR} (V)@I _t		I _t (mA)	V _C (V)	I _{ppm} (A)	I _R (μA)	Package
		Uni	Bid		Min	Max					
P6SMA20A	P6SMA20CA	20A	20A	17.1	19	21	1	27.7	21.7	1	SMA
P6SMA22A	P6SMA22CA	22A	22A	18.8	20.9	23.1	1	30.6	19.6	1	SMA
P6SMA24A	P6SMA24CA	24A	24A	20.5	22.8	25.2	1	33.2	18.1	1	SMA
P6SMA27A	P6SMA27CA	27A	27A	23.1	25.7	28.4	1	37.5	16	1	SMA
P6SMA30A	P6SMA30CA	30A	30A	25.6	28.5	31.5	1	41.4	14.5	1	SMA
P6SMA33A	P6SMA33CA	33A	33A	28.2	31.4	34.7	1	45.7	13.1	1	SMA
P6SMA36A	P6SMA36CA	36A	36A	30.8	34.2	37.8	1	49.9	12	1	SMA
P6SMA39A	P6SMA39CA	39A	39A	33.3	37.1	41	1	53.9	11.1	1	SMA
P6SMA43A	P6SMA43CA	43A	43A	36.8	40.9	45.2	1	59.3	10.1	1	SMA
P6SMA47A	P6SMA47CA	47A	47A	40.2	44.7	49.4	1	64.8	9.3	1	SMA
P6SMA51A	P6SMA51CA	51A	51A	43.6	48.5	53.6	1	70.1	8.6	1	SMA
P6SMA56A	P6SMA56CA	56A	56A	47.8	53.2	58.8	1	77	7.8	1	SMA
P6SMA62A	P6SMA62CA	62A	62A	53	58.9	65.1	1	85	7.1	1	SMA
P6SMA68A	P6SMA68CA	68A	68A	58.1	64.6	71.4	1	92	6.5	1	SMA
P6SMA75A	P6SMA75CA	75A	75A	64.1	71.3	78.8	1	103	5.8	1	SMA
P6SMA82A	P6SMA82CA	82A	82A	70.1	77.9	86.1	1	113	5.3	1	SMA
P6SMA91A	P6SMA91CA	91A	91A	77.8	86.5	95.5	1	125	4.8	1	SMA
P6SMA100A	P6SMA100CA	100A	100A	85.5	95	105	1	137	4.4	1	SMA
P6SMA110A	P6SMA110CA	110A	110A	94	105	116	1	152	3.9	1	SMA
P6SMA120A	P6SMA120CA	120A	120A	102	114	126	1	165	3.6	1	SMA
P6SMA130A	P6SMA130CA	130A	130A	111	124	137	1	179	3.4	1	SMA
P6SMA150A	P6SMA150CA	150A	150A	128	143	158	1	207	2.9	1	SMA
P6SMA160A	P6SMA160CA	160A	160A	136	152	168	1	219	2.7	1	SMA
P6SMA170A	P6SMA170CA	170A	170A	145	162	179	1	234	2.6	1	SMA
P6SMA180A	P6SMA180CA	180A	180A	154	171	189	1	246	2.4	1	SMA
P6SMA200A	P6SMA200CA	200A	200A	171	190	210	1	274	2.2	1	SMA
P6SMA220A	P6SMA220CA	220A	220A	185	209	231	1	328	1.8	1	SMA
P6SMAF6.8A	P6SMAF6.8CA	P6S6.8A	P6S6.8A	5.8	6.45	7.14	10	10.5	57.1	1000	SMA-FL
P6SMAF7.5A	P6SMAF7.5CA	P6S7.5A	P6S7.5A	6.4	7.13	7.88	10	11.3	53.1	500	SMA-FL
P6SMAF8.2A	P6SMAF8.2CA	P6S8.2A	P6S8.2A	7.02	7.79	8.61	10	12.1	49.6	200	SMA-FL
P6SMAF9.1A	P6SMAF9.1CA	P6S9.1A	P6S9.1A	7.78	8.65	9.5	1	13.4	44.8	50	SMA-FL
P6SMAF10A	P6SMAF10CA	P6S10A	P6S10A	8.55	9.5	10.5	1	14.5	41.4	10	SMA-FL
P6SMAF11A	P6SMAF11CA	P6S11A	P6S11A	9.4	10.5	11.6	1	15.6	38.5	1	SMA-FL
P6SMAF12A	P6SMAF12CA	P6S12A	P6S12A	10.2	11.4	12.6	1	16.7	35.9	1	SMA-FL
P6SMAF13A	P6SMAF13CA	P6S13A	P6S13A	11.1	12.4	13.7	1	18.2	33	1	SMA-FL
P6SMAF15A	P6SMAF15CA	P6S15A	P6S15A	12.8	14.3	15.8	1	21.2	28.3	1	SMA-FL
P6SMAF16A	P6SMAF16CA	P6S16A	P6S16A	13.6	15.2	16.8	1	22.5	26.7	1	SMA-FL
P6SMAF18A	P6SMAF18CA	P6S18A	P6S18A	15.3	17.1	18.9	1	25.2	23.8	1	SMA-FL
P6SMAF20A	P6SMAF20CA	P6S20A	P6S20A	17.1	19	21	1	27.7	21.7	1	SMA-FL
P6SMAF22A	P6SMAF22CA	P6S22A	P6S22A	18.8	20.9	23.1	1	30.6	19.6	1	SMA-FL



1.5 Transient Voltage Suppressor

Uni-Directional Part Number	Bid-Directional Part Number	Marking		V _{WM} (V)	V _{BR} (V)@I _t		I _t (mA)	V _C (V)	I _{ppm} (A)	I _R (μA)	Package ● Available for auto- motive applications
		Uni	Bid		Min	Max					
P6SMAF24A	P6SMAF24CA	P6S24A	P6S24A	20.5	22.8	25.2	1	33.2	18.1	1	SMA-FL ●
P6SMAF27A	P6SMAF27CA	P6S27A	P6S27A	23.1	25.7	28.4	1	37.5	16	1	SMA-FL
P6SMAF30A	P6SMAF30CA	P6S30A	P6S30A	25.6	28.5	31.5	1	41.4	14.5	1	SMA-FL
P6SMAF33A	P6SMAF33CA	P6S33A	P6S33A	28.2	31.4	34.7	1	45.7	13.1	1	SMA-FL
P6SMAF36A	P6SMAF36CA	P6S36A	P6S36A	30.8	34.2	37.8	1	49.9	12	1	SMA-FL
P6SMAF39A	P6SMAF39CA	P6S39A	P6S39A	33.3	37.1	41	1	53.9	11.1	1	SMA-FL
P6SMAF43A	P6SMAF43CA	P6S43A	P6S43A	36.8	40.9	45.2	1	59.3	10.1	1	SMA-FL
P6SMAF47A	P6SMAF47CA	P6S47A	P6S47A	40.2	44.7	49.4	1	64.8	9.3	1	SMA-FL
P6SMAF51A	P6SMAF51CA	P6S51A	P6S51A	43.6	48.5	53.6	1	70.1	8.6	1	SMA-FL
P6SMAF56A	P6SMAF56CA	P6S56A	P6S56A	47.8	53.2	58.8	1	77	7.8	1	SMA-FL
P6SMAF62A	P6SMAF62CA	P6S62A	P6S62A	53	58.9	65.1	1	85	7.1	1	SMA-FL
P6SMAF68A	P6SMAF68CA	P6S68A	P6S68A	58.1	64.6	71.4	1	92	6.5	1	SMA-FL
P6SMAF75A	P6SMAF75CA	P6S75A	P6S75A	64.1	71.3	78.8	1	103	5.8	1	SMA-FL
P6SMAF82A	P6SMAF82CA	P6S82A	P6S82A	70.1	77.9	86.1	1	113	5.3	1	SMA-FL
P6SMAF91A	P6SMAF91CA	P6S91A	P6S91A	77.8	86.5	95.5	1	125	4.8	1	SMA-FL
P6SMAF100A	P6SMAF100CA	P6S100A	P6S100A	85.5	95	105	1	137	4.4	1	SMA-FL
P6SMAF110A	P6SMAF110CA	P6S110A	P6S110A	94	105	116	1	152	3.9	1	SMA-FL
P6SMAF120A	P6SMAF120CA	P6S120A	P6S120A	102	114	126	1	165	3.6	1	SMA-FL
P6SMAF130A	P6SMAF130CA	P6S130A	P6S130A	111	124	137	1	179	3.4	1	SMA-FL
P6SMAF150A	P6SMAF150CA	P6S150A	P6S150A	128	143	158	1	207	2.9	1	SMA-FL
P6SMAF160A	P6SMAF160CA	P6S160A	P6S160A	136	152	168	1	219	2.7	1	SMA-FL
P6SMAF170A	P6SMAF170CA	P6S170A	P6S170A	145	162	179	1	234	2.6	1	SMA-FL
P6SMAF180A	P6SMAF180CA	P6S180A	P6S180A	154	171	189	1	246	2.4	1	SMA-FL
P6SMAF200A	P6SMAF200CA	P6S200A	P6S200A	171	190	210	1	274	2.2	1	SMA-FL
P6SMAF220A	P6SMAF220CA	P6S220A	P6S220A	185	209	231	1	328	1.8	1	SMA-FL
SMBJ5.0A	SMBJ5.0CA	SMBFJ5.0A	SMBFJ5.0CA	5	6.4	7	10	9.2	43.5	800	SMB
SMBJ6.0A	SMBJ6.0CA	SMBFJ6.0A	SMBFJ6.0CA	6	6.67	7.37	10	10.3	38.8	800	SMB
SMBJ6.5A	SMBJ6.5CA	SMBFJ6.5A	SMBFJ6.5CA	6.5	7.22	7.98	10	11.2	35.7	500	SMB
SMBJ7.0A	SMBJ7.0CA	SMBFJ7.0A	SMBFJ7.0CA	7	7.78	8.6	10	12	33.3	200	SMB
SMBJ7.5A	SMBJ7.5CA	SMBFJ7.5A	SMBFJ7.5CA	7.5	8.33	9.21	1	12.9	31	100	SMB
SMBJ8.0A	SMBJ8.0CA	SMBFJ8.0A	SMBFJ8.0CA	8	8.89	9.83	1	13.6	29.4	50	SMB
SMBJ8.5A	SMBJ8.5CA	SMBFJ8.5A	SMBFJ8.5CA	8.5	9.44	10.4	1	14.4	27.8	20	SMB
SMBJ9.0A	SMBJ9.0CA	SMBFJ9.0A	SMBFJ9.0CA	9	10	11.1	1	15.4	26	10	SMB
SMBJ10A	SMBJ10CA	SMBFJ10A	SMBFJ10CA	10	11.1	12.3	1	17	23.5	5	SMB
SMBJ11A	SMBJ11CA	SMBFJ11A	SMBFJ11CA	11	12.2	13.5	1	18.2	22	5	SMB
SMBJ12A	SMBJ12CA	SMBFJ12A	SMBFJ12CA	12	13.3	14.7	1	19.9	20.1	5	SMB
SMBJ13A	SMBJ13CA	SMBFJ13A	SMBFJ13CA	13	14.4	15.9	1	21.5	18.6	5	SMB
SMBJ14A	SMBJ14CA	SMBFJ14A	SMBFJ14CA	14	15.6	17.2	1	23.2	17.2	5	SMB ●
SMBJ15A	SMBJ15CA	SMBFJ15A	SMBFJ15CA	15	16.7	18.5	1	24.4	16.4	5	SMB ●
SMBJ16A	SMBJ16CA	SMBFJ16A	SMBFJ16CA	16	17.8	19.7	1	26	15.4	5	SMB

1.6 Transient Voltage Suppressor

Uni-Directional Part Number	Bid-Directional Part Number	Marking		V _{WM} (V)	V _{BR} (V)@I _t		I _t (mA)	V _C (V)	I _{ppm} (A)	I _R (μA)	Package
		Uni	Bid		Min	Max					
SMBJ17A	SMBJ17CA	SMBFJ17A	SMBFJ17CA	17	18.9	20.9	1	27.6	14.5	5	SMB
SMBJ18A	SMBJ18CA	SMBFJ18A	SMBFJ18CA	18	20	22.1	1	29.2	13.7	5	SMB
SMBJ20A	SMBJ20CA	SMBFJ20A	SMBFJ20CA	20	22.2	24.5	1	32.4	12.3	5	SMB
SMBJ22A	SMBJ22CA	SMBFJ22A	SMBFJ22CA	22	24.4	26.9	1	35.5	11.3	5	SMB
SMBJ24A	SMBJ24CA	SMBFJ24A	SMBFJ24CA	24	26.7	29.5	1	38.9	10.3	5	SMB
SMBJ26A	SMBJ26CA	SMBFJ26A	SMBFJ26CA	26	28.9	31.9	1	42.1	9.5	5	SMB
SMBJ28A	SMBJ28CA	SMBFJ28A	SMBFJ28CA	28	31.1	34.4	1	45.4	8.8	5	SMB
SMBJ30A	SMBJ30CA	SMBFJ30A	SMBFJ30CA	30	33.3	36.8	1	48.4	8.3	5	SMB
SMBJ33A	SMBJ33CA	SMBFJ33A	SMBFJ33CA	33	36.7	40.6	1	53.3	7.5	5	SMB
SMBJ36A	SMBJ36CA	SMBFJ36A	SMBFJ36CA	36	40	44.2	1	58.1	6.9	5	SMB
SMBJ40A	SMBJ40CA	SMBFJ40A	SMBFJ40CA	40	44.4	49.1	1	64.5	6.2	5	SMB
SMBJ43A	SMBJ43CA	SMBFJ43A	SMBFJ43CA	43	47.8	52.8	1	69.4	5.8	5	SMB
SMBJ45A	SMBJ45CA	SMBFJ45A	SMBFJ45CA	45	50	55.3	1	72.7	5.5	5	SMB
SMBJ48A	SMBJ48CA	SMBFJ48A	SMBFJ48CA	48	53.3	58.9	1	77.4	5.2	5	SMB
SMBJ51A	SMBJ51CA	SMBFJ51A	SMBFJ51CA	51	56.7	62.7	1	82.4	4.9	5	SMB
SMBJ54A	SMBJ54CA	SMBFJ54A	SMBFJ54CA	54	60	66.3	1	87.1	4.6	5	SMB
SMBJ58A	SMBJ58CA	SMBFJ58A	SMBFJ58CA	58	64.4	71.2	1	93.6	4.3	5	SMB
SMBJ60A	SMBJ60CA	SMBFJ60A	SMBFJ60CA	60	66.7	73.7	1	96.8	4.1	5	SMB
SMBJ64A	SMBJ64CA	SMBFJ64A	SMBFJ64CA	64	71.1	78.6	1	103	3.9	5	SMB
SMBJ70A	SMBJ70CA	SMBFJ70A	SMBFJ70CA	70	77.8	86	1	113	3.5	5	SMB
SMBJ75A	SMBJ75CA	SMBFJ75A	SMBFJ75CA	75	83.3	92.1	1	121	3.3	5	SMB
SMBJ78A	SMBJ78CA	SMBFJ78A	SMBFJ78CA	78	86.7	95.8	1	126	3.2	5	SMB
SMBJ85A	SMBJ85CA	SMBFJ85A	SMBFJ85CA	85	94.4	104	1	137	2.9	5	SMB
SMBJ90A	SMBJ90CA	SMBFJ90A	SMBFJ90CA	90	100	111	1	146	2.7	5	SMB
SMBJ100A	SMBJ100CA	SMBFJ100A	SMBFJ100CA	100	111	123	1	162	2.5	5	SMB
SMBJ110A	SMBJ110CA	SMBFJ110A	SMBFJ110CA	110	122	135	1	177	2.3	5	SMB
SMBJ120A	SMBJ120CA	SMBFJ120A	SMBFJ120CA	120	133	147	1	193	2.1	5	SMB
SMBJ130A	SMBJ130CA	SMBFJ130A	SMBFJ130CA	130	144	159	1	209	1.9	5	SMB
SMBJ150A	SMBJ150CA	SMBFJ150A	SMBFJ150CA	150	167	185	1	243	1.6	5	SMB
SMBJ160A	SMBJ160CA	SMBFJ160A	SMBFJ160CA	160	178	197	1	259	1.5	5	SMB
SMBJ170A	SMBJ170CA	SMBFJ170A	SMBFJ170CA	170	189	209	1	275	1.5	5	SMB
SMBJ180A	SMBJ180CA	SMBFJ180A	SMBFJ180CA	180	198	221	1	291	1.4	5	SMB
SMBJ190A	SMBJ190CA	SMBFJ190A	SMBFJ190CA	190	209	233	1	307	1.3	5	SMB
SMBJ200A	SMBJ200CA	SMBFJ200A	SMBFJ200CA	200	220	246	1	324	1.3	5	SMB
SMBJ220A	SMBJ220CA	SMBFJ220A	SMBFJ220CA	220	246	272	1	356	1.2	5	SMB
SMBFJ5.0A	SMBFJ5.0CA	SMBFJ5.0A	SMBFJ5.0CA	5	6.4	7	10	9.2	43.5	800	SMB-FL
SMBFJ6.0A	SMBFJ6.0CA	SMBFJ6.0A	SMBFJ6.0CA	6	6.67	7.37	10	10.3	38.8	800	SMB-FL
SMBFJ6.5A	SMBFJ6.5CA	SMBFJ6.5A	SMBFJ6.5CA	6.5	7.22	7.98	10	11.2	35.7	500	SMB-FL
SMBFJ7.0A	SMBFJ7.0CA	SMBFJ7.0A	SMBFJ7.0CA	7	7.78	8.6	10	12	33.3	200	SMB-FL
SMBFJ7.5A	SMBFJ7.5CA	SMBFJ7.5A	SMBFJ7.5CA	7.5	8.33	9.21	1	12.9	31	100	SMB-FL



1.7 Transient Voltage Suppressor

Uni-Directional Part Number	Bid-Directional Part Number	Marking		V_{WM} (V)	$V_{BR}(V)@I_t$		I_t (mA)	V_C (V)	I_{ppm} (A)	I_R (μ A)	Package ● Available for auto- motive applications
		Uni	Bid		Min	Max					
SMBFJ8.0A	SMBFJ8.0CA	SMBFJ8.0A	SMBFJ8.0CA	8	8.89	9.83	1	13.6	29.4	50	SMB-FL
SMBFJ8.5A	SMBFJ8.5CA	SMBFJ8.5A	SMBFJ8.5CA	8.5	9.44	10.4	1	14.4	27.8	20	SMB-FL
SMBFJ9.0A	SMBFJ9.0CA	SMBFJ9.0A	SMBFJ9.0CA	9	10	11.1	1	15.4	26	10	SMB-FL
SMBFJ10A	SMBFJ10CA	SMBFJ10A	SMBFJ10CA	10	11.1	12.3	1	17	23.5	5	SMB-FL
SMBFJ11A	SMBFJ11CA	SMBFJ11A	SMBFJ11CA	11	12.2	13.5	1	18.2	22	5	SMB-FL
SMBFJ12A	SMBFJ12CA	SMBFJ12A	SMBFJ12CA	12	13.3	14.7	1	19.9	20.1	5	SMB-FL
SMBFJ13A	SMBFJ13CA	SMBFJ13A	SMBFJ13CA	13	14.4	15.9	1	21.5	18.6	5	SMB-FL
SMBFJ14A	SMBFJ14CA	SMBFJ14A	SMBFJ14CA	14	15.6	17.2	1	23.2	17.2	5	SMB-FL
SMBFJ15A	SMBFJ15CA	SMBFJ15A	SMBFJ15CA	15	16.7	18.5	1	24.4	16.4	5	SMB-FL ●
SMBFJ16A	SMBFJ16CA	SMBFJ16A	SMBFJ16CA	16	17.8	19.7	1	26	15.4	5	SMB-FL
SMBFJ17A	SMBFJ17CA	SMBFJ17A	SMBFJ17CA	17	18.9	20.9	1	27.6	14.5	5	SMB-FL
SMBFJ18A	SMBFJ18CA	SMBFJ18A	SMBFJ18CA	18	20	22.1	1	29.2	13.7	5	SMB-FL
SMBFJ20A	SMBFJ20CA	SMBFJ20A	SMBFJ20CA	20	22.2	24.5	1	32.4	12.3	5	SMB-FL
SMBFJ22A	SMBFJ22CA	SMBFJ22A	SMBFJ22CA	22	24.4	26.9	1	35.5	11.3	5	SMB-FL
SMBFJ24A	SMBFJ24CA	SMBFJ24A	SMBFJ24CA	24	26.7	29.5	1	38.9	10.3	5	SMB-FL
SMBFJ26A	SMBFJ26CA	SMBFJ26A	SMBFJ26CA	26	28.9	31.9	1	42.1	9.5	5	SMB-FL
SMBFJ28A	SMBFJ28CA	SMBFJ28A	SMBFJ28CA	28	31.1	34.4	1	45.4	8.8	5	SMB-FL
SMBFJ30A	SMBFJ30CA	SMBFJ30A	SMBFJ30CA	30	33.3	36.8	1	48.4	8.3	5	SMB-FL
SMBFJ33A	SMBFJ33CA	SMBFJ33A	SMBFJ33CA	33	36.7	40.6	1	53.3	7.5	5	SMB-FL
SMBFJ36A	SMBFJ36CA	SMBFJ36A	SMBFJ36CA	36	40	44.2	1	58.1	6.9	5	SMB-FL
SMBFJ40A	SMBFJ40CA	SMBFJ40A	SMBFJ40CA	40	44.4	49.1	1	64.5	6.2	5	SMB-FL
SMBFJ43A	SMBFJ43CA	SMBFJ43A	SMBFJ43CA	43	47.8	52.8	1	69.4	5.8	5	SMB-FL
SMBFJ45A	SMBFJ45CA	SMBFJ45A	SMBFJ45CA	45	50	55.3	1	72.7	5.5	5	SMB-FL
SMBFJ48A	SMBFJ48CA	SMBFJ48A	SMBFJ48CA	48	53.3	58.9	1	77.4	5.2	5	SMB-FL
SMBFJ51A	SMBFJ51CA	SMBFJ51A	SMBFJ51CA	51	56.7	62.7	1	82.4	4.9	5	SMB-FL
SMBFJ54A	SMBFJ54CA	SMBFJ54A	SMBFJ54CA	54	60	66.3	1	87.1	4.6	5	SMB-FL
SMBFJ58A	SMBFJ58CA	SMBFJ58A	SMBFJ58CA	58	64.4	71.2	1	93.6	4.3	5	SMB-FL ●
SMBFJ60A	SMBFJ60CA	SMBFJ60A	SMBFJ60CA	60	66.7	73.7	1	96.8	4.1	5	SMB-FL
SMBFJ64A	SMBFJ64CA	SMBFJ64A	SMBFJ64CA	64	71.1	78.6	1	103	3.9	5	SMB-FL
SMBFJ70A	SMBFJ70CA	SMBFJ70A	SMBFJ70CA	70	77.8	86	1	113	3.5	5	SMB-FL
SMBFJ75A	SMBFJ75CA	SMBFJ75A	SMBFJ75CA	75	83.3	92.1	1	121	3.3	5	SMB-FL
SMBFJ78A	SMBFJ78CA	SMBFJ78A	SMBFJ78CA	78	86.7	95.8	1	126	3.2	5	SMB-FL
SMBFJ85A	SMBFJ85CA	SMBFJ85A	SMBFJ85CA	85	94.4	104	1	137	2.9	5	SMB-FL
SMBFJ90A	SMBFJ90CA	SMBFJ90A	SMBFJ90CA	90	100	111	1	146	2.7	5	SMB-FL
SMBFJ100A	SMBFJ100CA	SMBFJ100A	SMBFJ100CA	100	111	123	1	162	2.5	5	SMB-FL
SMBFJ110A	SMBFJ110CA	SMBFJ110A	SMBFJ110CA	110	122	135	1	177	2.3	5	SMB-FL
SMBFJ120A	SMBFJ120CA	SMBFJ120A	SMBFJ120CA	120	133	147	1	193	2.1	5	SMB-FL
SMBFJ130A	SMBFJ130CA	SMBFJ130A	SMBFJ130CA	130	144	159	1	209	1.9	5	SMB-FL
SMBFJ150A	SMBFJ150CA	SMBFJ150A	SMBFJ150CA	150	167	185	1	243	1.6	5	SMB-FL
SMBFJ160A	SMBFJ160CA	SMBFJ160A	SMBFJ160CA	160	178	197	1	259	1.5	5	SMB-FL

1.8 Transient Voltage Suppressor

Uni-Directional Part Number	Bid-Directional Part Number	Marking		V_{WM} (V)	$V_{BR}(V)@I_t$		I_t (mA)	V_C (V)	I_{ppm} (A)	I_R (μ A)	Package
		Uni	Bid		Min	Max					
SMBFJ170A	SMBFJ170CA	SMBFJ170A	SMBFJ170CA	170	189	209	1	275	1.5	5	SMB-FL
SMBFJ180A	SMBFJ180CA	SMBFJ180A	SMBFJ180CA	180	198	221	1	291	1.4	5	SMB-FL
SMBFJ190A	SMBFJ190CA	SMBFJ190A	SMBFJ190CA	190	209	233	1	307	1.3	5	SMB-FL
SMBFJ200A	SMBFJ200CA	SMBFJ200A	SMBFJ200CA	200	220	246	1	324	1.3	5	SMB-FL
SMBFJ220A	SMBFJ220CA	SMBFJ220A	SMBFJ220CA	220	246	272	1	356	1.2	5	SMB-FL
P4KE6.8	P4KE6.8C	P4KE6.8	P4KE6.8C	5.5	6.12	7.48	10	10.8	38	1000	DO-41
P4KE6.8A	P4KE6.8CA	P4KE6.8A	P4KE6.8CA	5.8	6.45	7.14	10	10.5	40	1000	DO-41
P4KE7.5	P4KE7.5C	P4KE7.5	P4KE7.5C	6.05	6.75	8.25	10	11.7	36	500	DO-41
P4KE7.5A	P4KE7.5CA	P4KE7.5A	P4KE7.5CA	6.4	7.13	7.88	10	11.3	37	500	DO-41
P4KE8.2	P4KE8.2C	P4KE8.2	P4KE8.2C	6.63	7.38	9.02	10	12.5	33	200	DO-41
P4KE8.2A	P4KE8.2CA	P4KE8.2A	P4KE8.2CA	7.02	7.79	8.61	10	12.1	35	200	DO-41
P4KE9.1	P4KE9.1C	P4KE9.1	P4KE9.1C	7.37	8.19	10	1	13.8	30	50	DO-41
P4KE9.1A	P4KE9.1CA	P4KE9.1A	P4KE9.1CA	7.78	8.65	9.5	1	13.4	31	50	DO-41
P4KE10	P4KE10C	P4KE10	P4KE10C	8.1	9	11	1	15	28	10	DO-41
P4KE10A	P4KE10CA	P4KE10A	P4KE10CA	8.55	9.5	10.5	1	14.5	29	10	DO-41
P4KE11	P4KE11C	P4KE11	P4KE11C	8.92	9.9	12.1	1	16.2	26	5	DO-41
P4KE11A	P4KE11CA	P4KE11A	P4KE11CA	9.4	10.5	11.6	1	15.6	27	5	DO-41
P4KE12	P4KE12C	P4KE12	P4KE12C	9.72	10.8	13.2	1	17.3	24	5	DO-41
P4KE12A	P4KE12CA	P4KE12A	P4KE12CA	10.2	11.4	12.6	1	16.7	25	5	DO-41
P4KE13	P4KE13C	P4KE13	P4KE13C	10.5	11.7	14.3	1	19	22	5	DO-41
P4KE13A	P4KE13CA	P4KE13A	P4KE13CA	11.1	12.4	13.7	1	18.2	23	5	DO-41
P4KE15	P4KE15C	P4KE15	P4KE15C	12.1	13.5	16.5	1	22	19	5	DO-41
P4KE15A	P4KE15CA	P4KE15A	P4KE15CA	12.8	14.3	15.8	1	21.2	20	5	DO-41
P4KE16	P4KE16C	P4KE16	P4KE16C	12.9	14.4	17.6	1	23.5	18	5	DO-41
P4KE16A	P4KE16CA	P4KE16A	P4KE16CA	13.6	15.2	16.8	1	22.5	19	5	DO-41
P4KE18	P4KE18C	P4KE18	P4KE18C	14.5	16.2	19.8	1	26.5	16	5	DO-41
P4KE18A	P4KE18CA	P4KE18A	P4KE18CA	15.3	17.1	18.9	1	25.2	17	5	DO-41
P4KE20	P4KE20C	P4KE20	P4KE20C	16.2	18	22	1	29.1	14	5	DO-41
P4KE20A	P4KE20CA	P4KE20A	P4KE20CA	17.1	19	21	1	27.7	15	5	DO-41
P4KE22	P4KE22C	P4KE22	P4KE22C	17.8	19.8	24.2	1	31.9	13	5	DO-41
P4KE22A	P4KE22CA	P4KE22A	P4KE22CA	18.8	20.9	23.1	1	30.6	14	5	DO-41
P4KE24	P4KE24C	P4KE24	P4KE24C	19.4	21.6	26.4	1	34.7	12	5	DO-41
P4KE24A	P4KE24CA	P4KE24A	P4KE24CA	20.5	22.8	25.2	1	33.2	13	5	DO-41
P4KE27	P4KE27C	P4KE27	P4KE27C	21.8	24.3	29.7	1	39.1	11	5	DO-41
P4KE27A	P4KE27CA	P4KE27A	P4KE27CA	23.1	25.7	28.4	1	37.5	11.2	5	DO-41
P4KE30	P4KE30C	P4KE30	P4KE30C	24.3	27	33	1	43.5	10	5	DO-41
P4KE30A	P4KE30CA	P4KE30A	P4KE30CA	25.6	28.5	31.5	1	41.4	10	5	DO-41
P4KE33	P4KE33C	P4KE33	P4KE33C	26.8	29.7	36.3	1	47.7	9	5	DO-41
P4KE33A	P4KE33CA	P4KE33A	P4KE33CA	28.2	31.4	34.7	1	45.7	8.75	5	DO-41
P4KE36	P4KE36C	P4KE36	P4KE36C	29.1	32.4	39.6	1	52	8	5	DO-41



1.9 Transient Voltage Suppressor

Uni-Directional Part Number	Bid-Directional Part Number	Marking		V_{WM} (V)	$V_{BR}(V)@I_t$		I_t (mA)	V_C (V)	I_{ppm} (A)	I_R (μ A)	Package
		Uni	Bid		Min	Max					
P4KE36A	P4KE36CA	P4KE36A	P4KE36CA	30.8	34.2	37.8	1	49.9	8.4	5	DO-41
P4KE39	P4KE39C	P4KE39	P4KE39C	31.6	35.1	42.9	1	56.4	7.4	5	DO-41
P4KE39A	P4KE39CA	P4KE39A	P4KE39CA	33.3	37.1	41	1	53.9	7.8	5	DO-41
P4KE43	P4KE43C	P4KE43	P4KE43C	34.8	38.7	47.3	1	61.9	6.8	5	DO-41
P4KE43A	P4KE43CA	P4KE43A	P4KE43CA	36.8	40.9	45.2	1	59.3	7.1	5	DO-41
P4KE47	P4KE47C	P4KE47	P4KE47C	38.1	42.3	51.7	1	67.8	6.2	5	DO-41
P4KE47A	P4KE47CA	P4KE47A	P4KE47CA	40.2	44.7	49.4	1	64.8	5	5	DO-41
P4KE51	P4KE51C	P4KE51	P4KE51C	41.3	45.9	56.1	1	73.5	5.7	5	DO-41
P4KE51A	P4KE51CA	P4KE51A	P4KE51CA	43.6	48.5	53.6	1	70.1	6	5	DO-41
P4KE56	P4KE56C	P4KE56	P4KE56C	45.6	50.4	61.6	1	80.5	5.2	5	DO-41
P4KE56A	P4KE56CA	P4KE56A	P4KE56CA	47.8	53.2	58.8	1	77	5.5	5	DO-41
P4KE62	P4KE62C	P4KE62	P4KE62C	50.2	55.8	68.2	1	89	4.7	5	DO-41
P4KE62A	P4KE62CA	P4KE62A	P4KE62CA	53	58.9	65.1	1	85	5	5	DO-41
P4KE68	P4KE68C	P4KE68	P4KE68C	55.1	61.2	74.8	1	98	4.3	5	DO-41
P4KE68A	P4KE68CA	P4KE68A	P4KE68CA	58.1	64.6	71.4	1	92	4.6	5	DO-41
P4KE75	P4KE75C	P4KE75	P4KE75C	60.7	67.5	82.5	1	108	3.9	5	DO-41
P4KE75A	P4KE75CA	P4KE75A	P4KE75CA	64.1	71.3	78.8	1	103	4.1	5	DO-41
P4KE82	P4KE82C	P4KE82	P4KE82C	66.4	73.8	90.2	1	118	3.6	5	DO-41
P4KE82A	P4KE82CA	P4KE82A	P4KE82CA	70.1	77.9	86.1	1	113	3.7	5	DO-41
P4KE91	P4KE91C	P4KE91	P4KE91C	73.7	81.9	100	1	131	3.2	5	DO-41
P4KE91A	P4KE91CA	P4KE91A	P4KE91CA	77.8	86.5	95.5	1	125	3.4	5	DO-41
P4KE100	P4KE100C	P4KE100	P4KE100C	81	90	110	1	144	2.9	5	DO-41
P4KE100A	P4KE100CA	P4KE100A	P4KE100CA	85.5	95	105	1	137	3.1	5	DO-41
P4KE110	P4KE110C	P4KE110	P4KE110C	89.2	99	121	1	158	2.7	5	DO-41
P4KE110A	P4KE110CA	P4KE110A	P4KE110CA	94	105	116	1	152	2.8	5	DO-41
P4KE120	P4KE120C	P4KE120	P4KE120C	97.2	108	132	1	173	2.4	5	DO-41
P4KE120A	P4KE120CA	P4KE120A	P4KE120CA	102	114	126	1	165	2.5	5	DO-41
P4KE130	P4KE130C	P4KE130	P4KE130C	105	117	143	1	187	2.2	5	DO-41
P4KE130A	P4KE130CA	P4KE130A	P4KE130CA	111	124	137	1	179	2.3	5	DO-41
P4KE150	P4KE150C	P4KE150	P4KE150C	121	135	165	1	215	2	5	DO-41
P4KE150A	P4KE150CA	P4KE150A	P4KE150CA	128	143	158	1	207	2	5	DO-41
P4KE160	P4KE160C	P4KE160	P4KE160C	130	144	176	1	230	1.8	5	DO-41
P4KE160A	P4KE160CA	P4KE160A	P4KE160CA	136	152	168	1	219	1.9	5	DO-41
P4KE170	P4KE170C	P4KE170	P4KE170C	138	153	187	1	244	1.7	5	DO-41
P4KE170A	P4KE170CA	P4KE170A	P4KE170CA	145	162	179	1	234	1.8	5	DO-41
P4KE180	P4KE180C	P4KE180	P4KE180C	146	162	198	1	258	1.6	5	DO-41
P4KE180A	P4KE180CA	P4KE180A	P4KE180CA	154	171	189	1	246	1.7	5	DO-41
P4KE200	P4KE200C	P4KE200	P4KE200C	162	180	220	1	287	1.5	5	DO-41
P4KE200A	P4KE200CA	P4KE200A	P4KE200CA	171	190	210	1	274	1.5	5	DO-41
P4KE220	P4KE220C	P4KE220	P4KE220C	175	198	242	1	344	1.2	5	DO-41

1.10 Transient Voltage Suppressor

Uni-Directional Part Number	Bid-Directional Part Number	Marking		V _{WM} (V)	V _{BR} (V)@I _t		I _t (mA)	V _C (V)	I _{ppm} (A)	I _R (μA)	Package
		Uni	Bid		Min	Max					
P4KE220A	P4KE220CA	P4KE220A	P4KE220CA	185	209	231	1	328	1.2	5	DO-41
P4KE250	P4KE250C	P4KE250	P4KE250C	202	225	275	1	360	1.1	5	DO-41
P4KE250A	P4KE250CA	P4KE250A	P4KE250CA	214	237	263	1	344	1.2	5	DO-41
P4KE300	P4KE300C	P4KE300	P4KE300C	243	270	330	1	430	0.9	5	DO-41
P4KE300A	P4KE300CA	P4KE300A	P4KE300CA	256	285	315	1	414	1	5	DO-41
P4KE350	P4KE350C	P4KE350	P4KE350C	284	315	385	1	504	0.8	5	DO-41
P4KE350A	P4KE350CA	P4KE350A	P4KE350CA	300	332	368	1	482	0.8	5	DO-41
P4KE400	P4KE400C	P4KE400	P4KE400C	324	360	440	1	574	0.7	5	DO-41
P4KE400A	P4KE400CA	P4KE400A	P4KE400CA	342	380	420	1	548	0.7	5	DO-41
P4KE440	P4KE440C	P4KE440	P4KE440C	356	396	484	1	631	1	5	DO-41
P4KE440A	P4KE440CA	P4KE440A	P4KE440CA	376	418	462	1	600	1	5	DO-41
P6KE6.8	P6KE6.8C	P6KE6.8	P6KE6.8C	5.5	6.12	7.48	10	10.8	56	1000	DO-15
P6KE6.8A	P6KE6.8CA	P6KE6.8A	P6KE6.8CA	5.8	6.45	7.14	10	10.5	57	1000	DO-15
P6KE7.5	P6KE7.5C	P6KE7.5	P6KE7.5C	6.15	6.75	8.25	10	11.7	51	500	DO-15
P6KE7.5A	P6KE7.5CA	P6KE7.5A	P6KE7.5CA	6.4	7.13	7.88	10	11.3	53	500	DO-15
P6KE8.2	P6KE8.2C	P6KE8.2	P6KE8.2C	6.63	7.38	9.02	10	12.5	48	200	DO-15
P6KE8.2A	P6KE8.2CA	P6KE8.2A	P6KE8.2CA	7.02	7.79	8.61	10	12.1	50	200	DO-15
P6KE9.1	P6KE9.1C	P6KE9.1	P6KE9.1C	7.37	8.19	10	1	13.8	44	50	DO-15
P6KE9.1A	P6KE9.1CA	P6KE9.1A	P6KE9.1CA	7.78	8.65	9.5	1	13.4	45	50	DO-15
P6KE10	P6KE10C	P6KE10	P6KE10C	8.1	9	11	1	15	40	10	DO-15
P6KE10A	P6KE10CA	P6KE10A	P6KE10CA	8.55	9.5	10.5	1	14.5	41	10	DO-15
P6KE11	P6KE11C	P6KE11	P6KE11C	8.92	9.9	12.1	1	16.2	37	5	DO-15
P6KE11A	P6KE11CA	P6KE11A	P6KE11CA	9.4	10.5	11.6	1	15.6	38	5	DO-15
P6KE12	P6KE12C	P6KE12	P6KE12C	9.72	10.8	13.2	1	17.3	35	5	DO-15
P6KE12A	P6KE12CA	P6KE12A	P6KE12CA	10.2	11.4	12.6	1	16.7	36	5	DO-15
P6KE13	P6KE13C	P6KE13	P6KE13C	10.5	11.7	14.3	1	19	32	5	DO-15
P6KE13A	P6KE13CA	P6KE13A	P6KE13CA	11.1	12.4	13.7	1	18.2	33	5	DO-15
P6KE15	P6KE15C	P6KE15	P6KE15C	12.1	13.5	16.5	1	22	27	5	DO-15
P6KE15A	P6KE15CA	P6KE15A	P6KE15CA	12.8	14.3	15.8	1	21.2	28	5	DO-15
P6KE16	P6KE16C	P6KE16	P6KE16C	12.9	14.4	17.6	1	23.5	26	5	DO-15
P6KE16A	P6KE16CA	P6KE16A	P6KE16CA	13.6	15.2	16.8	1	22.5	27	5	DO-15
P6KE18	P6KE18C	P6KE18	P6KE18C	14.5	16.2	19.8	1	26.5	23	5	DO-15
P6KE18A	P6KE18CA	P6KE18A	P6KE18CA	15.3	17.1	18.9	1	25.2	24	5	DO-15
P6KE20	P6KE20C	P6KE20	P6KE20C	16.2	18	22	1	29.1	21	5	DO-15
P6KE20A	P6KE20CA	P6KE20A	P6KE20CA	17.1	19	21	1	27.7	22	5	DO-15
P6KE22	P6KE22C	P6KE22	P6KE22C	17.8	19.8	24.2	1	31.9	19	5	DO-15
P6KE22A	P6KE22CA	P6KE22A	P6KE22CA	18.8	20.9	23.1	1	30.6	20	5	DO-15
P6KE24	P6KE24C	P6KE24	P6KE24C	19.4	21.6	26.4	1	34.7	17	5	DO-15
P6KE24A	P6KE24CA	P6KE24A	P6KE24CA	20.5	22.8	25.2	1	33.2	18	5	DO-15
P6KE27	P6KE27C	P6KE27	P6KE27C	21.8	24.3	29.7	1	39.1	15	5	DO-15



1.11 Transient Voltage Suppressor

Uni-Directional Part Number	Bid-Directional Part Number	Marking		V _{WM} (V)	V _{BR} (V)@I _t		I _t (mA)	V _C (V)	I _{ppm} (A)	I _R (μA)	Package
		Uni	Bid		Min	Max					
P6KE27A	P6KE27CA	P6KE27A	P6KE27CA	23.1	25.7	28.4	1	37.5	16	5	DO-15
P6KE30	P6KE30C	P6KE30	P6KE30C	24.3	27	33	1	43.5	14	5	DO-15
P6KE30A	P6KE30CA	P6KE30A	P6KE30CA	25.6	28.5	31.5	1	41.4	14.4	5	DO-15
P6KE33	P6KE33C	P6KE33	P6KE33C	26.8	29.7	36.3	1	47.7	12.6	5	DO-15
P6KE33A	P6KE33CA	P6KE33A	P6KE33CA	28.2	31.4	34.7	1	45.7	13.2	5	DO-15
P6KE36	P6KE36C	P6KE36	P6KE36C	29.1	32.4	39.6	1	52	11.6	5	DO-15
P6KE36A	P6KE36CA	P6KE36A	P6KE36CA	30.8	34.2	37.8	1	49.9	12	5	DO-15
P6KE39	P6KE39C	P6KE39	P6KE39C	31.6	35.1	42.9	1	56.4	10.6	5	DO-15
P6KE39A	P6KE39CA	P6KE39A	P6KE39CA	33.3	37.1	41	1	53.9	11.2	5	DO-15
P6KE43	P6KE43C	P6KE43	P6KE43C	34.8	38.7	47.3	1	61.9	9.6	5	DO-15
P6KE43A	P6KE43CA	P6KE43A	P6KE43CA	36.8	40.9	45.2	1	59.3	10.1	5	DO-15
P6KE47	P6KE47C	P6KE47	P6KE47C	38.1	42.3	51.7	1	67.8	8.9	5	DO-15
P6KE47A	P6KE47CA	P6KE47A	P6KE47CA	40.2	44.7	49.4	1	64.8	9.3	5	DO-15
P6KE51	P6KE51C	P6KE51	P6KE51C	41.3	45.9	56.1	1	73.5	8.2	5	DO-15
P6KE51A	P6KE51CA	P6KE51A	P6KE51CA	43.6	48.5	53.6	1	70.1	8.6	5	DO-15
P6KE56	P6KE56C	P6KE56	P6KE56C	45.6	50.4	61.6	1	80.5	7.4	5	DO-15
P6KE56A	P6KE56CA	P6KE56A	P6KE56CA	47.8	53.2	58.8	1	77	7.8	5	DO-15
P6KE62	P6KE62C	P6KE62	P6KE62C	50.2	55.8	68.2	1	89	6.8	5	DO-15
P6KE62A	P6KE62CA	P6KE62A	P6KE62CA	53	58.9	65.1	1	85	7.1	5	DO-15
P6KE68	P6KE68C	P6KE68	P6KE68C	55.1	61.2	74.8	1	98	6.1	5	DO-15
P6KE68A	P6KE68CA	P6KE68A	P6KE68CA	58.1	64.6	71.4	1	92	6.5	5	DO-15
P6KE75	P6KE75C	P6KE75	P6KE75C	60.7	67.5	82.5	1	108	5.5	5	DO-15
P6KE75A	P6KE75CA	P6KE75A	P6KE75CA	64.1	71.3	78.8	1	103	5.8	5	DO-15
P6KE82	P6KE82C	P6KE82	P6KE82C	66.4	73.8	90.2	1	118	5.1	5	DO-15
P6KE82A	P6KE82CA	P6KE82A	P6KE82CA	70.1	77.9	86.1	1	113	5.3	5	DO-15
P6KE91	P6KE91C	P6KE91	P6KE91C	73.7	81.9	100	1	131	4.5	5	DO-15
P6KE91A	P6KE91CA	P6KE91A	P6KE91CA	77.8	86.5	95.5	1	125	4.8	5	DO-15
P6KE100	P6KE100C	P6KE100	P6KE100C	81	90	110	1	144	4.2	5	DO-15
P6KE100A	P6KE100CA	P6KE100A	P6KE100CA	85.5	95	105	1	137	4.4	5	DO-15
P6KE110	P6KE110C	P6KE110	P6KE110C	89.2	99	121	1	158	3.8	5	DO-15
P6KE110A	P6KE110CA	P6KE110A	P6KE110CA	94	105	116	1	152	4	5	DO-15
P6KE120	P6KE120C	P6KE120	P6KE120C	97.2	108	132	1	173	3.5	5	DO-15
P6KE120A	P6KE120CA	P6KE120A	P6KE120CA	102	114	126	1	165	3.6	5	DO-15
P6KE130	P6KE130C	P6KE130	P6KE130C	105	117	143	1	187	3.2	5	DO-15
P6KE130A	P6KE130CA	P6KE130A	P6KE130CA	111	124	137	1	179	3.3	5	DO-15
P6KE150	P6KE150C	P6KE150	P6KE150C	121	135	165	1	215	2.8	5	DO-15
P6KE150A	P6KE150CA	P6KE150A	P6KE150CA	128	143	158	1	207	2.9	5	DO-15
P6KE160	P6KE160C	P6KE160	P6KE160C	130	144	176	1	230	2.6	5	DO-15
P6KE160A	P6KE160CA	P6KE160A	P6KE160CA	136	152	168	1	219	2.7	5	DO-15
P6KE170	P6KE170C	P6KE170	P6KE170C	138	153	187	1	244	2.5	5	DO-15

1.12 Transient Voltage Suppressor

Uni-Directional Part Number	Bid-Directional Part Number	Marking		V_{WM} (V)	$V_{BR}(V)@I_t$		I_t (mA)	V_C (V)	I_{ppm} (A)	I_R (μ A)	Package
		Uni	Bid		Min	Max					
P6KE170A	P6KE170CA	P6KE170A	P6KE170CA	145	162	179	1	234	2.6	5	DO-15
P6KE180	P6KE180C	P6KE180	P6KE180C	146	162	198	1	258	2.3	5	DO-15
P6KE180A	P6KE180CA	P6KE180A	P6KE180CA	154	171	189	1	246	2.4	5	DO-15
P6KE200	P6KE200C	P6KE200	P6KE200C	162	180	220	1	287	2.1	5	DO-15
P6KE200A	P6KE200CA	P6KE200A	P6KE200CA	171	190	210	1	274	2.2	5	DO-15
P6KE220	P6KE220C	P6KE220	P6KE220C	175	198	242	1	344	1.8	5	DO-15
P6KE220A	P6KE220CA	P6KE220A	P6KE220CA	185	209	231	1	328	1.8	5	DO-15
P6KE250	P6KE250C	P6KE250	P6KE250C	202	225	275	1	360	1.7	5	DO-15
P6KE250A	P6KE250CA	P6KE250A	P6KE250CA	214	237	263	1	344	1.8	5	DO-15
P6KE300	P6KE300C	P6KE300	P6KE300C	243	270	330	1	430	1.4	5	DO-15
P6KE300A	P6KE300CA	P6KE300A	P6KE300CA	256	285	315	1	414	1.5	5	DO-15
P6KE350	P6KE350C	P6KE350	P6KE350C	284	315	385	1	504	1.2	5	DO-15
P6KE350A	P6KE350CA	P6KE350A	P6KE350CA	300	332	368	1	482	1.3	5	DO-15
P6KE400	P6KE400C	P6KE400	P6KE400C	324	360	440	1	574	1.1	5	DO-15
P6KE400A	P6KE400CA	P6KE400A	P6KE400CA	342	380	420	1	548	1.1	5	DO-15
P6KE440	P6KE440C	P6KE440	P6KE440C	356	396	484	1	631	1	5	DO-15
P6KE440A	P6KE440CA	P6KE440A	P6KE440CA	376	418	462	1	600	1	5	DO-15
1.5KE36	1.5KE36C	1.5KE36	1.5KE36C	29.1	32.4	39.6	1	52	9	5	DO-201AD
1.5KE36A	1.5KE36CA	1.5KE36A	1.5KE36CA	30.8	34.2	37.8	1	49.9	30	5	DO-201AD
1.5KE39	1.5KE39C	1.5KE39	1.5KE39C	31.6	35.1	42.9	1	56.4	26.5	5	DO-201AD
1.5KE39A	1.5KE39CA	1.5KE39A	1.5KE39CA	33.3	37.1	41	1	53.9	28	5	DO-201AD
1.5KE43	1.5KE43C	1.5KE43	1.5KE43C	34.8	38.7	47.3	1	61.9	24	5	DO-201AD
1.5KE43A	1.5KE43CA	1.5KE43A	1.5KE43CA	36.8	40.9	45.2	1	59.3	25.3	5	DO-201AD
1.5KE47	1.5KE47C	1.5KE47	1.5KE47C	38.1	42.3	51.7	1	67.8	22.2	5	DO-201AD
1.5KE47A	1.5KE47CA	1.5KE47A	1.5KE47CA	40.2	44.7	49.4	1	64.8	23.2	5	DO-201AD
1.5KE51	1.5KE51C	1.5KE51	1.5KE51C	41.3	45.9	56.1	1	73.5	20.4	5	DO-201AD
1.5KE51A	1.5KE51CA	1.5KE51A	1.5KE51CA	43.6	48.5	53.6	1	70.1	21.4	5	DO-201AD
1.5KE56	1.5KE56C	1.5KE56	1.5KE56C	45.6	50.4	61.6	1	80.5	18.6	5	DO-201AD
1.5KE56A	1.5KE56CA	1.5KE56A	1.5KE56CA	47.8	53.2	58.8	1	77	19.5	5	DO-201AD
1.5KE62	1.5KE62C	1.5KE62	1.5KE62C	50.2	55.8	68.2	1	89	16.9	5	DO-201AD
1.5KE62A	1.5KE62CA	1.5KE62A	1.5KE62CA	53	58.9	65.1	1	85	17.7	5	DO-201AD
1.5KE68	1.5KE68C	1.5KE68	1.5KE68C	55.1	61.2	74.8	1	98	15.3	5	DO-201AD
1.5KE68A	1.5KE68CA	1.5KE68A	1.5KE68CA	58.1	64.6	71.4	1	92	16.3	5	DO-201AD
1.5KE75	1.5KE75C	1.5KE75	1.5KE75C	60.7	67.5	82.5	1	108	13.9	5	DO-201AD
1.5KE75A	1.5KE75CA	1.5KE75A	1.5KE75CA	64.1	71.3	78.8	1	103	14.6	5	DO-201AD
1.5KE82	1.5KE82C	1.5KE82	1.5KE82C	66.4	73.8	90.2	1	118	12.7	5	DO-201AD
1.5KE82A	1.5KE82CA	1.5KE82A	1.5KE82CA	70.1	77.9	86.1	1	113	1.3	5	DO-201AD
1.5KE91	1.5KE91C	1.5KE91	1.5KE91C	73.7	81.9	100	1	131	11.4	5	DO-201AD
1.5KE91A	1.5KE91CA	1.5KE91A	1.5KE91CA	77.8	86.5	95.5	1	125	12	5	DO-201AD
1.5KE100	1.5KE100C	1.5KE100	1.5KE100C	81	90	110	1	144	10.4	5	DO-201AD



1.13 Transient Voltage Suppressor

Uni-Directional Part Number	Bid-Directional Part Number	Marking		V_{WM} (V)	$V_{BR}(V)@I_t$		I_t (mA)	V_C (V)	I_{ppm} (A)	I_R (μ A)	Package
		Uni	Bid		Min	Max					
1.5KE100A	1.5KE100CA	1.5KE100A	1.5KE100CA	85.5	95	105	1	137	11	5	DO-201AD
1.5KE110	1.5KE110C	1.5KE110	1.5KE110C	89.2	99	121	1	158	9.5	5	DO-201AD
1.5KE110A	1.5KE110CA	1.5KE110A	1.5KE110CA	94	105	116	1	152	9.9	5	DO-201AD
1.5KE120	1.5KE120C	1.5KE120	1.5KE120C	97.2	108	132	1	173	8.7	5	DO-201AD
1.5KE120A	1.5KE120CA	1.5KE120A	1.5KE120CA	102	114	126	1	165	9.1	5	DO-201AD
1.5KE130	1.5KE130C	1.5KE130	1.5KE130C	105	117	143	1	187	8	5	DO-201AD
1.5KE130A	1.5KE130CA	1.5KE130A	1.5KE130CA	111	124	137	1	179	8.4	5	DO-201AD
1.5KE150	1.5KE150C	1.5KE150	1.5KE150C	121	135	165	1	215	7	5	DO-201AD
1.5KE150A	1.5KE150CA	1.5KE150A	1.5KE150CA	128	143	158	1	207	7.2	5	DO-201AD
1.5KE160	1.5KE160C	1.5KE160	1.5KE160C	130	144	176	1	230	6.5	5	DO-201AD
1.5KE160A	1.5KE160CA	1.5KE160A	1.5KE160CA	136	152	168	1	219	6.8	5	DO-201AD
1.5KE170	1.5KE170C	1.5KE170	1.5KE170C	138	153	187	1	244	6.2	5	DO-201AD
1.5KE170A	1.5KE170CA	1.5KE170A	1.5KE170CA	145	162	179	1	234	6.4	5	DO-201AD
1.5KE180	1.5KE180C	1.5KE180	1.5KE180C	146	162	198	1	258	5.8	5	DO-201AD
1.5KE180A	1.5KE180CA	1.5KE180A	1.5KE180CA	154	171	189	1	246	6.1	5	DO-201AD
1.5KE200	1.5KE200C	1.5KE200	1.5KE200C	162	180	220	1	287	5.2	5	DO-201AD
1.5KE200A	1.5KE200CA	1.5KE200A	1.5KE200CA	171	190	210	1	274	5.5	5	DO-201AD
1.5KE220	1.5KE220C	1.5KE220	1.5KE220C	175	198	242	1	344	4.3	5	DO-201AD
1.5KE220A	1.5KE220CA	1.5KE220A	1.5KE220CA	185	209	231	1	328	4.6	5	DO-201AD
1.5KE250	1.5KE250C	1.5KE250	1.5KE250C	202	225	275	1	360	5	5	DO-201AD
1.5KE250A	1.5KE250CA	1.5KE250A	1.5KE250CA	214	237	263	1	344	5	5	DO-201AD
1.5KE300	1.5KE300C	1.5KE300	1.5KE300C	243	270	330	1	430	5	5	DO-201AD
1.5KE300A	1.5KE300CA	1.5KE300A	1.5KE300CA	256	285	315	1	414	5	5	DO-201AD
1.5KE350	1.5KE350C	1.5KE350	1.5KE350C	284	315	385	1	504	4	5	DO-201AD
1.5KE350A	1.5KE350CA	1.5KE350A	1.5KE350CA	300	332	368	1	482	4	5	DO-201AD
1.5KE400	1.5KE400C	1.5KE400	1.5KE400C	324	360	440	1	574	4	5	DO-201AD
1.5KE400A	1.5KE400CA	1.5KE400A	1.5KE400CA	342	380	420	1	548	4	5	DO-201AD
1.5KE440	1.5KE440C	1.5KE440	1.5KE440C	356	396	484	1	631	2.4	5	DO-201AD
1.5KE440A	1.5KE440CA	1.5KE440A	1.5KE440CA	376	418	462	1	600	2.5	5	DO-201AD

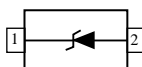
Notes: 1.Devices with suffix "A" mean its V_{BR} range of $\pm 5\%$; Devices without suffix "A" indicate its V_{BR} range of $\pm 10\%$.

2.For Bidirectional use "C" or "CA" Suffix, Devices with suffix "C" mean its V_{BR} range of $\pm 10\%$; Devices without suffix "CA" indicate its V_{BR} range of $\pm 5\%$.

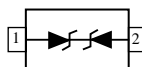
3. Devices with suffix "CA" don't have colour ring.

Style:

1.Devices without suffix "CA"



2.Devices with suffix "CA"



ESD PROTECTION

1. General ESD/TVS Devices

Device	V _{RWM} (V)	V _{BR} (V) Min	I _R @V _{RWM} (μ A)	C _J (pF)	V _C @I _{PP} (V)	I _{PP} t _p =8/20 μ s(A)	Power t _p =8/20 μ s (WATT)	Package	Style ● Available for automotive applications
LESD11D3.3T5G									
LESD11D3.3T5G	3.3	5	1	13	11	-	-	E	DFN0603
LESD11D3.3CT5G	3.3	5	1	15	11	-	-	F	DFN0603 ●
LESD11LL3.3T5G	3.3	4.5	0.5	0.5	14	5	70	E	DFN0603
LESD11LL3.3CT5G	3.5	4.8	0.05	0.25	18	4	72	F	DFN0603
LESD11D5.0T5G	5	6.2	1	30	11	6	66	E	DFN0603
LESD11D5.0CT5G	5	5.6	0.5	15	12.5	5.5	69	F	DFN0603 ●
LESD11LH5.0CT5G	5	5.5	100	3	11.5	2.5	40	F	DFN0603
LESD11LV5.0T5G	5	6	1	1.5	18.4	2.5	-	E	DFN0603
LESD11LL5.0T5G	5	6	0.5	0.5	13	6	78	E	DFN0603 ●
LESD11LL5.0CT5G	5	6	0.5	0.25	20	4	80	F	DFN0603 ●
LESD11LS5.0T5G	5	6	1	0.55	12.5	-	-	E	DFN0603
LESD11LS5.0CT5G	5	6	1	0.3	12.5	-	-	F	DFN0603
LESD11LLF5.0CT5G	5	6	0.5	0.15	20	4	80	F	DFN0603
LESD11D12T5G	12	13.3	1	25	18	4	72	E	DFN0603
LESD11LV12CT5G	10	12	1	1.8	24.5	1.65	-	F	DFN0603
LESD8D3.3AT5G	3.3	5	2.5	30	6	10	60	E	SOD-882
LESD8D3.3CAT5G	3.3	5	0.1	12	10	6	60	F	SOD882 ●
LESD8LL3.3T5G	3.3	4.5	0.5	0.5	14	5	70	E	SOD-882 ●
LESD8L3.3CT5G	3.3	4.8	1	0.5	10	-	-	F	SOD-882
LESD8D5.0AT5G	5	6.2	1	30	11	6	66	E	SOD-882 ●
LESD8D5.0BT5G	5	5.5	1	30	14	12	168	E	SOD-882
LESD8D5.0CAT5G	5	5.6	0.5	15	12.5	5.5	69	F	SOD-882 ●
LESD8D5.0CBT5G	5	5.6	0.5	30	12.5	12	140	F	SOD-882
LESD8D5.0CET5G	5	5.5	0.1	45	12	16	180	F	SOD-882
LESD8LH5.0CT5G	5	5.5	1	3.5	9.8	-	-	F	SOD-882
LESD8LH3.3CT5G	3.3	3.5	0.5	4.5	8.5	5	40	F	SOD-882
LESD8LM5.0CT5G	5	5.5	0.5	2.5	12.1	2.5	30	F	SOD-882
LESD8LV5.0T5G	5	5.4	1	1.5	9.8	-	-	E	SOD-882
LESD8L5.0T5G	5	5.4	1	0.5	9.8	-	-	E	SOD-882
LESD8L5.0CT5G	5	5.4	1	0.9	12.9	-	-	F	SOD-882
LESD8LS5.0T5G	5	6	1	0.55	18.4	-	-	E	SOD-882
LESD8LS5.0CT5G	5	6	1	0.3	18.4	-	-	F	SOD-882
LESD8LF5.0CT5G	5	6	1	0.3	11	-	-	F	SOD-882

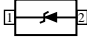
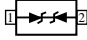
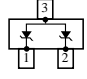
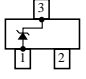
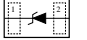

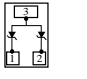
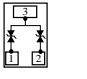


1. 1 General ESD/TVS Devices

Device	V _{RWM} (V)	V _{BR} (V) Min	I _R @V _{RWM} (μA)	C _J (pF)	V _C @I _{PP} (V)	I _{PP} t _p =8/20μs(A)	Power t _p =8/20μs (WATT)	Package	Style ● Available for automotive applications
LESD8LL5.0T5G	5	6	0.5	0.5	13	6	78	E	SOD-882 ●
LESD8LL5.0CT5G	5	6	0.5	0.25	20	4	80	F	SOD-882 ●
LESD8D7.0CAT5G	7	7.2	1	16	16	5	80	F	SOD-882 ●
LESD8D12T5G	12	13.3	1	30	23.7	5.9	140	E	SOD-882
LESD8D12AT5G	12	13.3	1	20	20	4	80	E	SOD-882 ●
LESD8D12BT5G	12	13	0.5	35	19	8	150	E	SOD-882
LESD8D12CT5G	12	13.3	1	6.5	18	4	72	F	SOD-882
LESD8D12CAT5G	12	13.8	1	25	25	8	200	F	SOD-882 ●
LESD8LV12CT5G	10	12	1	1.8	24.5	1.65	-	F	SOD-882
LESD8D3.3N3T5G	3.3	5	2.5	13	-	-	-	G	SOT-883
LESD8D3.3CN3T5G	3.3	5.1	1	12	12.5	7	87.5	H	SOT-883
LESD8D5.0N3T5G	5	6	1	40	11	9	99	G	SOT-883
LESD8D5.0CN3T5G	5	5.6	0.5	15	12.5	5.5	69	H	SOT-883
LESD8LH5.0CN3T5G	5	5.5	1	3.5	9.8	-	-	H	SOT-883
LESD8LL5.0N3T5G	5	6	0.5	0.5	20	4	80	G	SOT-883
LESD8L5.0CN3T5G	5	6	0.5	0.25	20	4	80	H	SOT-883
LESD8LF5.0N3T5G	5	6	5	0.9	9.8	-	-	G	SOT-883
LESD9D3.3T5G	3.3	5	2.5	80	10.4	9.8	102	A	SOD-923
LESD9D3.3CT5G	3.3	5	1	25	14.1	11.2	158	B	SOD-923
LESD9L3.3T5G	3.3	4.8	1	0.5	12	-	-	A	SOD-923
LESD9L3.3CT5G	3.3	4.8	1	0.5	10	-	-	B	SOD-923
LESD9D5.0T5G	5	6.2	1	65	12.3	8.7	107	A	SOD-923
LESD9D5.0CT5G	5	5.6	0.5	15	18.6	9.4	174	B	SOD-923
LESD9L5.0T5G	5	5.4	1	0.5	9.8	-	-	A	SOD-923
LESD9L5.0CT5G	5	5.4	1	0.5	12.9	-	-	B	SOD-923
LESD9D12T5G	12	13.5	1	30	23.7	5.9	140	A	SOD-923
LESD7D3.3T5G	3.3	5	2.5	80	10.4	9.8	102	A	SOD-723
LESD7D5.0T5G	5	6.2	1	65	12.3	8.7	107	A	SOD-723
LESD5Z3.3T1G	3.3	5	1	105	14.1	11.2	158	A	SOD-523
LESD5L3.3T1G	3.3	5	1	0.5	9.5	-	-	A	SOD-523
LESD5L3.3CT1G	3.3	5	1	0.5	10	-	-	B	SOD-523
LESD5Z5.0T1G	5	6.2	1	80	18.6	9.4	174	A	SOD-523
LESD5Z5.0CT1G	5	5.6	1	25	18.6	9.4	174	B	SOD-523
LESD5D5.0CT1G	5	5.6	1	15	18.6	9.4	174	B	SOD-523
LESD5L5.0T1G	5	5.4	1	0.5	9.8	-	-	A	SOD-523
LESD5L5.0CT1G	5	5.4	1	0.5	12.9	-	-	B	SOD-523
LESD5Z7.0T1G	7	7.5	1	65	22.7	8.8	200	A	SOD-523
LESD5Z12T1G	12	13.5	1	55	25	9.6	240	A	SOD-523

1. 2 General ESD/TVS Devices

Device	V_{RWM} (V)	$V_{BR}(V)$ Min	$I_R @ V_{RWM}$ (μA)	C_J (pF)	$V_C @ I_{PP}$ (V)	I_{PP} $t_p=8/20\mu s(A)$	Power $t_p=8/20\mu s$ (WATT)	Package	Style ● Available for automotive applications
LESD3Z5.0T1G	5	6	10	350	9.8	24	250	A	SOD-323
LESD3Z5.0CMT1G	5	5.6	1	25	11.6	9.4	174	B	SOD-323
LSD05T1G	5	6	10	350	14.5	24	350	A	SOD-323
LSD12T1G	12	13.3	1	150	19	15	350	A	SOD-323
LESD6V1MLT1G	5.25	6.1	20	140	-	-	250	C	SOT-23
LESDA5V3LT1G	3	5.3	2	220	-	-	300	C	SOT-23
LESDA6V1LT1G	5.25	6.1	20	140	-	-	300	C	SOT-23
LGSOT05CLT1G	5	6	5	220	9.8	17	300	C	SOT-23
LGSOT12CLT1G	12	13.3	1	90	19	12	300	C	SOT-23
LESDA14V2LT1G	12	14.2	5	90	-	-	300	C	SOT-23
LESD6V8T1G	5	6.4	1	40	-	-	75	C	SC-89

Style:	A	B	C	D	E	F	G	H
								



1.3 General ESD/TVS Devices

Device	V _{RWM} (V)	V _{BR} (V) Min	I _R @V _{RWM} (μA)	C _J (pF)	V _C @I _{PP} (V)	I _{PP} t _p =8/20μs(A)	Power t _p =8/20μs (WATT)	Package	Style ● Available for automotive applications
LESD6A5V6W6T1G	3.3	5.2	1	45	-	-	75	SC-88	B
LESDA5VAW6T1G	5	6.4	1	15	10	2.5	25	SC-88	A
LESDA6V1W6T1G	5	6.1	1	50	-	-	100	SC-88	A
LESD6A6V8W6T1G	5	6.4	1	40	-	-	75	SC-88	B
LESDA6V8AW5T1G	4.3	6.4	1	12	13	1.6	20	SC-88A	C
LESDA6V1W5T1G	5	6.1	1	90	-	-	150	SC-88A	C
LRC099-04AT1G	5	6	1	0.35	Positive 8.5 Negative 1.8	1	150	TSOP-6	D ●
LRC099-04ABT1G	5	6	1	0.35	Positive 8.5 Negative 1.8	1	150	TSOP-6	F ●
LRC099-04BT1G	5	6	1	0.35	Positive 8.5 Negative 1.8	1	150	SC-88	D ●
LRC099-04CT1G	5	6	1	0.35	Positive 8.5 Negative 1.8	1	150	SC-88A	G ●
LRC099-04DT1G	5	6	1	0.35	Positive 8.5 Negative 1.8	1	150	DFN-10	I ●
LRC8804AT1G	5	6	1	0.35	Positive 8.5 Negative 1.8	1	75	TSOP-6	D
LRC8804BT1G	5	6	1	0.35	Positive 8.5 Negative 1.8	1	75	SC-88	D
LRC8804DT1G	5	6	1	0.35	Positive 8.5 Negative 1.8	1	75	DFN-10	I ●
LRC8804FDT1G	5	6	1	0.25	-	-	75	DFN-10	I
LRC8806DT1G	5	6	1	0.35	Positive 8.5 Negative 1.8	1	150	DFN3313	H ●
LRC1043-04DT1G	3.3	5.6	1	0.5	Positive 8.0 Negative 1.8	5	140	DFN-10	I ●
LRC1043-8DT2AG	3.3	5.0	1	0.35	Positive 8.0 Negative 1.8	5	140	DFN3810	- ●
LSRV04W-4AT1G	3.3	5.6	1	1.5	Positive 8.0 Negative 1.8	20	-	TSOP-6	D
LSRV04W-4DT1G	3.3	5.6	1	1.5	Positive 8.0 Negative 1.8	20	-	DFN-10	I
LRC1045-08DT2AG	5	6	1	0.35	Positive 12 Negative 5	5	100	DFN3810	- ●
LRC1161DT5G	5	16.5	1	0.65	26	-	-	DFN202-8	-
LRC199-04AT1G	5	6	1	0.7	Positive 8.5 Negative 1.8	5	150	TSOP-6	E ●
LRC199-04BT1G	5	6	1	0.7	Positive 8.5 Negative 1.8	5	150	SC-88	E ●
LRC399-04AT1G	5	6	1	0.8	Positive 8.5 Negative 1.8	10	300	TSOP-6	D ●

Style:

A

B

C

D

H

I

E

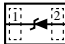
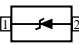
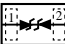
F

G

2. ESD/Surge Protection

Device	V _{RWM} (V)	V _{BR} (V) Min	I _R @V _{RWM} (μA)	C _J (pF)	V _C @I _{PP} (V)	I _{PP} t _p =8/20μs(A)	Power t _p =8/20μs (WATT)	Style	Package ● Available for automotive applications
LTVS16H5.0T5G	5	6	2	800	15	100	1250	A	DFN1610
LTVS16H5.0ET5G	5	6	-	800	12	150	1800	A	DFN1610
LTVS16H7.0T5G	7	7.6	2	750	20	90	1500	A	DFN1610
LTVS16H12T5G	12	12.5	0.5	250	23	65	1500	A	DFN1610
LTVS16H4.5CT5G	4.5	4.7	1	80	10.3	120	1236	C	DFN1610
LTVS20H5.0T5G	5	6	2	-	18	200	2800	A	DFN2020-3
LTVS20H7.0T5G	7	7.6	2	-	21	180	3500	A	DFN2020-3
LTVS20H10T5G	10	11.5	0.5	300	21.5	140	3000	A	DFN2020-3
LTVS20H12T5G	12	12.5	0.5	200	25.5	110	3000	A	DFN2020-3
LTVS20H12AT5G	12	12.5	0.5	850	26.6	150	4000	A	DFN2020-3
LTVS20H12FT5G	12	12.8	0.5	760	25	155	3800	A	DFN2020-3
LTVS20H12GT5G	12	12.8	0.5	1080	26.5	200	5000	A	DFN2020-3
LTVS20H15T5G	15	16	0.5	-	34	75	2600	A	DFN2020-3
LTVS20H18T5G	18	21	0.5	-	-	100	-	A	DFN2020-3
LTVS20H4.5CT5G	4.5	4.7	1	300	10.3	120	1236	C	DFN2020-3
LTVS2018H12T5G	13.5	14	0.5	-	23	180	4000	A	DFN2018-6B
LTVS2018H22T5G	22	24	0.1	1000	34	150	5000	A	DFN2018-6B
LTVS2013H4.5CT5G	4.5	4.8	0.8	500	12	160	1920	C	DFN2013
LTVS32H5.0T5G	5	6	2	800	17	100	1500	A	SOD323HE
LTVS32H7.0T5G	7	7.6	2	750	20	90	1500	A	SOD323HE
LTVS32H12T5G	12	12.5	0.5	-	24.3	35	850	A	SOD323HE
LTVS8H4.5CT5G	4.5	4.7	1	80	12	30	360	C	SOD882
LTVS8H4.5CAT5G	4.5	4.6	1	80	11.3	50	500	C	SOD882
LES8H5.0CT5G	5	6	0.1	80	7	1	300	C	SOD882 ●

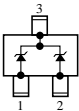
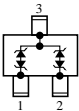
Style: A B C

3. CAN Bus Protection

Device	V _{RWM} (V)	V _{BR} (V) Min	I _R @V _{RWM} (μA)	C _J (pF)	V _C @I _{PP} (V)	I _{PP} t _p =8/20μs(A)	Power t _p =8/20μs (WATT)	Style	Package ● Available for automotive applications
LR1105LT1G	24	25.7	0.2	50	35	8	350	A	SOT23E ●
LR2105LT1G	24	26.2	0.2	30	36	8	350	B	SOT23E ●
LR3105LT1G	32	35.6	0.2	30	66	8	520	B	SOT23E ●

Style: A B



GENERAL PURPOSE TRANSISTORS

1. 3 Pin General Purpose Transistors

Device	Device Marking	I _C (mA)	V _{CEO} (V)	h _{FE}		V _{CE(sat)}		f _T TYP (MHz)	Polarity	Package ● Available for automotive applications	
				Min/Max	I _C /V _{CE} (mA)/(Volts)	Max (Volts)	I _C /I _B (mA)				
LBC847BN3T5G	1F	100	45	200/450	2/5	0.4	100/5	100	NPN	SOT883	
LBC847CN3T5G	1G	100	45	420/800	2/5	0.4	100/5	100	NPN	SOT883	
LBC857CN3T5G	3G	100	45	420/800	2/5	0.4	100/5	100	PNP	SOT883	
LBTN180D3T5G	N3	1000	85	40/-	500/2	0.5	500/50	100	NPN	DFN2020	
LBTP180D3T5G	P3	1000	85	40/-	500/2	0.5	500/50	100	PNP	DFN2020	
LBSS4240P3T5G	ZE	2000	40	150/-	2000/2	0.32	2000/200	100	NPN	DFN2020	
LBSS5240P3T5G	ZF	2000	40	100/-	2000/2	0.35	2000/200	100	PNP	DFN2020	
LBC847AN3T5G	1E	100	45	110/220	2/5	0.4	100/5	100	NPN	SOT883	
LBC857AN3T5G	3E	100	45	125/250	2/5	0.4	100/5	100	PNP	SOT883	
L2SC1623SWT1G	L7	150	50	270/560	1/6	0.3	100/10	250	NPN	SC-70	●
LBC850BWT1G	2F	100	45	200/450	2/5	0.6	100/5	100	NPN	SC-70	
LBC857AWT1G	3E	100	45	125/250	2/5	0.65	100/5	100	PNP	SC-70	●
LBC847BTT1G	1F	100	45	200/450	2/5	0.6	100/5	100	NPN	SC-89	●
LBC857BTT1G	3F	100	45	220/475	2/5	0.65	100/5	100	PNP	SC-89	●
L2SC3838NLT1G	APN	50	11	56/120	5/10	0.5	10/5	3.2	NPN	SOT-23	
L2SA1036KQLT1G	HQ	500	32	120/270	10/3	0.4	100/10	200	PNP	SOT-23	●
LX8050QLT1G	X8C	500	25	150/300	100/1	0.5	500/50	-	NPN	SOT-23	●
LBC850CLT1G	2G	100	45	420/800	2/5	0.6	100/5	100	NPN	SOT-23	●
LMBTA64LT1G	2V	500	30	10000/-	10/5	1.5	100/0.1	125	PNP	SOT-23	●
L2SA2029QM3T5G	FQ	100	50	120/270	1/6	0.5	50/5	140	PNP	SOT-723	
L2SA2029RM3T5G	FR	100	50	180/390	1/6	0.5	50/5	140	PNP	SOT-723	
L2SC5658QM3T5G	QM	100	50	120/270	1/6	0.4	50/5	180	NPN	SOT-723	
L2SC5658RM3T5G	RM	100	50	180/390	1/6	0.4	50/5	180	NPN	SOT-723	
LBSS4240LT1G	ZE	2000	40	150/-	2000/2	0.32	2000/200	100	NPN	SOT-23	●
LBSS5240LT1G	ZF	2000	40	100/-	2000/2	0.32	2000/200	100	PNP	SOT-23	●
L8050HPLT1G	1HA	1500	25	100/200	100/1	0.5	800/80	-	NPN	SOT-23	●
L8050HQLT1G	1HC	1500	25	150/300	100/1	0.5	800/80	-	NPN	SOT-23	●
L8050HRLT1G	1HE	1500	25	200/400	100/1	0.5	800/80	-	NPN	SOT-23	●
L8550HPLT1G	1HB	1500	25	100/200	100/1	0.5	800/80	-	PNP	SOT-23	●
L8550HQLT1G	1HD	1500	25	150/300	100/1	0.5	800/80	-	PNP	SOT-23	●
L8550HRLT1G	1HF	1500	25	200/400	100/1	0.5	800/80	-	PNP	SOT-23	●
LH8050QLT1G	KEY	1500	50	160/ 320	100/1	0.5	800/80	-	NPN	SOT-23	●
LH8550QLT1G	KIY	1500	50	160/ 320	100/1	0.4	800/80	-	PNP	SOT-23	●
LMBT6427LT1G	1V	500	40	10000/100000	10/5	1.5	500/0.5	-	NPN	SOT-23	●
LMBT5401LT1G	2L	500	150	60/240	10/5	0.5	50/5	100	PNP	SOT-23	●
L2SC3838LT1G	AD	50	11	56/180	5/10	0.5	10/5	3200	NPN	SOT-23	●

1.1 3 Pin General Purpose Transistors

Device	Device Marking	I _C (mA)	V _{CEO} (V)	h _{FE}		V _{CE(sat)}		f _T TYP (MHz)	Polarity	Package ● Available for automotive applications
				Min/Max	I _C /V _{CE} (mA)/(Volts)	Max (Volts)	I _C /I _B (mA)			
L2SC4083NWT1G	4N	50	11	56/120	5/10	0.5	10/5	3200	NPN	SC-70 ●
L2SC4083PWT1G	1D	50	11	82/180	5/10	0.5	10/5	3200	NPN	SC-70 ●
L2SC4083QWT1G	4Q	50	11	120/270	5/10	0.5	10/5	3200	NPN	SC-70
LMBT918LT1G	M3B	50	15	20/-	3/1	0.4	10/1	600	NPN	SOT-23
L2SC3837LT1G	AP	50	20	56/180	10/10	0.5	20/4	1500	NPN	SOT-23 ●
LMBTH10LT1G	3EM	50	25	60/-	4/10	0.5	4/0.4	650	NPN	SOT-23 ●
LMBTH10WT1G	3E	50	25	60/-	4/10	0.5	4/0.4	650	NPN	SC-70
LMBT5087LT1G	2Q	50	50	250/800	0.1/5	0.3	10/1	40	PNP	SOT-23 ●
LMBTA42LT1G	1D	50	300	40/-	30/10	0.5	2/-	50	NPN	SOT-23 ●
LMBTA92LT1G	2D	50	300	25/-	30/10	0.5	20/2	50	PNP	SOT-23 ●
L2SC3356LT1G	R24	100	12	82/270	10/3	-	-	7000	NPN	SOT-23 ●
L2SC3356WT1G	24	100	12	82/270	10/3	-	-	7000	NPN	SC-70 ●
L2SC5635WT1G	HF1	100	12	82/270	10/3	-	-	7000	NPN	SC-70 ●
LBC848ALT1G	1J	100	30	110/220	2/5	0.6	100/5	100	NPN	SOT-23 ●
LBC848BLT1G	1K	100	30	200/450	2/5	0.6	100/5	100	NPN	SOT-23 ●
LBC848BWT1G	1K	100	30	200/450	2/5	0.9	100/5	100	NPN	SC-70
LBC848CLT1G	1L	100	30	420/800	2/5	0.6	100/5	100	NPN	SOT-23 ●
LBC848CWT1G	1L	100	30	420/800	2/5	0.9	100/5	100	NPN	SC-70
LBC858ALT1G	3J	100	30	125/250	2/5	0.65	100/5	100	PNP	SOT-23 ●
LBC858BLT1G	3K	100	30	220/475	2/5	0.65	100/5	100	PNP	SOT-23 ●
LBC858BWT1G	3K	100	30	220/475	2/5	0.9	100/5	100	PNP	SC-70
LBC858CLT1G	3L	100	30	420/800	2/5	0.65	100/5	100	PNP	SOT-23 ●
L9014QLT1G	14Q	100	45	150/300	5/1	0.3	100/5	300	NPN	SOT-23 ●
L9014RLT1G	14R	100	45	200/400	5/1	0.3	100/5	300	NPN	SOT-23 ●
L9014SLT1G	14S	100	45	300/600	5/1	0.3	100/5	300	NPN	SOT-23 ●
L9014TLT1G	14T	100	45	400/1000	5/1	0.3	100/5	-	NPN	SOT-23
L9015QLT1G	15Q	100	45	150/300	5/1	0.3	100/5	150	PNP	SOT-23 ●
L9015RLT1G	15R	100	45	200/400	5/1	0.3	100/5	300	PNP	SOT-23 ●
L9015SLT1G	15S	100	45	300/600	5/1	0.3	100/5	300	PNP	SOT-23 ●
LBC847ALT1G	1E	100	45	110/220	2/5	0.6	100/5	100	NPN	SOT-23 ●
LBC847AWT1G	1E	100	45	110/220	2/5	0.9	100/5	100	NPN	SC-70 ●
LBC847BLT1G	1F	100	45	200/450	2/5	0.6	100/5	100	NPN	SOT-23 ●
LBC847BWT1G	1F	100	45	200/450	2/5	0.9	100/5	100	NPN	SC-70 ●
LBC847CLT1G	1G	100	45	420/800	2/5	0.6	100/5	100	NPN	SOT-23 ●
LBC847CWT1G	1G	100	45	420/800	2/5	0.9	100/5	100	NPN	SC-70 ●
LBC850BLT1G	2F	100	45	200/450	2/5	0.6	100/5	100	NPN	SOT-23
LBC857ALT1G	3E	100	45	125/250	2/5	0.65	100/5	100	PNP	SOT-23 ●
LBC857BLT1G	3F	100	45	220/475	2/5	0.65	100/5	100	PNP	SOT-23 ●
LBC857BWT1G	3F	100	45	220/475	2/5	0.9	100/5	100	PNP	SC-70 ●
LBC857CLT1G	3G	100	45	420/800	2/5	0.65	100/5	100	PNP	SOT-23 ●



1.2 3 Pin General Purpose Transistors

Device	Device Marking	I _C (mA)	V _{CEO} (V)	h _{FE}		V _{CE(sat)}		f _T TYP (MHz)	Polarity	Package ● Available for automotive applications
				Min/Max	I _C /V _{CE} (mA)/(Volts)	Max (Volts)	I _C /I _B (mA)			
LBC857CWT1G	3G	100	45	420/800	2/5	0.65	100/5	100	PNP	SC-70 ●
LBC846ALT1G	1A	100	65	110/220	2/5	0.6	100/5	100	NPN	SOT-23 ●
LBC846AWT1G	1A	100	65	110/220	2/5	0.6	100/5	100	NPN	SC-70 ●
LBC846BLT1G	1B	100	65	200/450	2/5	0.6	100/5	100	NPN	SOT-23 ●
LBC846BWT1G	1B	100	65	200/450	2/5	0.6	100/5	100	NPN	SC-70 ●
LBC856ALT1G	3A	100	65	125/250	2/5	0.65	100/5	100	PNP	SOT-23 ●
LBC856BLT1G	3B	100	65	220/475	2/5	0.65	100/5	100	PNP	SOT-23 ●
LBC856BWT1G	3B	100	65	220/475	2/5	0.9	100/5	100	PNP	SC-70 ●
L2SA1037AKQLT1G	FQ	150	50	120/270	1/6	0.5	50/5	140	PNP	SOT-23 ●
L2SA1037AKRLT1G	FR	150	50	180/390	1/6	0.5	50/5	140	PNP	SOT-23 ●
L2SA1037AKSLT1G	G3F	150	50	270/560	1/6	0.5	50/5	140	PNP	SOT-23 ●
L2SA1576AQT1G	FQ	150	50	120/270	1/6	0.5	50/5	140	PNP	SC-70 ●
L2SA1576ART1G	FR	150	50	180/390	1/6	0.5	50/5	140	PNP	SC-70 ●
L2SA1576AST1G	FS	150	50	120/560	1/6	0.5	50/5	140	PNP	SC-70 ●
L2SA1774QT1G	FQ	150	50	120/270	1/6	0.5	50/5	140	PNP	SC-89 ●
L2SA1774RT1G	FR	150	50	180/390	1/6	0.5	50/5	140	PNP	SC-89 ●
L2SA1774ST1G	FS	150	50	270/560	1/6	0.5	50/5	140	PNP	SC-89 ●
L2SA812QLT1G	M8	150	50	120/270	1/6	0.3	100/10	180	PNP	SOT-23 ●
L2SA812RLT1G	M6	150	50	180/390	1/6	0.3	100/10	180	PNP	SOT-23 ●
L2SA812SLT1G	M7	150	50	270/560	1/6	0.3	100/10	180	PNP	SOT-23 ●
L2SC1623QLT1G	L5	150	50	120/270	1/6	0.3	100/10	250	NPN	SOT-23 ●
L2SC1623RLT1G	L6	150	50	180/390	1/6	0.3	100/10	250	NPN	SOT-23 ●
L2SC1623SLT1G	L7	150	50	270/560	1/6	0.3	100/10	250	NPN	SOT-23 ●
L2SC2412KQLT1G	BQ	150	50	120/270	1/6	0.4	50/5	180	NPN	SOT-23 ●
L2SC2412KRLT1G	BR	150	50	180/390	1/6	0.4	50/5	180	NPN	SOT-23 ●
L2SC2412KSLT1G	G1F	150	50	270/560	1/6	0.4	50/5	180	NPN	SOT-23 ●
L2SC4081QT1G	BQ	150	50	120/270	1/6	0.4	50/5	180	NPN	SC-70 ●
L2SC4081RT1G	BR	150	50	180/390	1/6	0.4	50/5	180	NPN	SC-70 ●
L2SC4081ST1G	BS	150	50	270/560	1/6	0.4	50/5	180	NPN	SC-70 ●
L2SC4617QT1G	BQ	150	50	120/270	1/6	0.5	50/5	180	NPN	SC-89 ●
L2SC4617RT1G	BR	150	50	180/390	1/6	0.5	50/5	180	NPN	SC-89 ●
L2SC4617ST1G	BS	150	50	270/560	1/6	0.5	50/5	180	NPN	SC-89 ●
LMBTA94LT1G	4Z	150	400	75/200	10/10	0.6	50/5	-	PNP	SOT-23 ●
LMBTA44LT1G	3D	200	400	80/300	10/10	0.3	50/5	50	NPN	SOT-23 ●
LMBT6428LT1G	1KM	200	50	250/650	0.1/5	0.2	10/0.5	100	NPN	SOT-23 ●
LMBTA13LT1G	1M	300	30	5000/-	10/5	1.5	100/0.1	125	NPN	SOT-23 ●
LMBTA14LT1G	1N	300	30	10000/-	10/5	1.5	100/0.1	125	NPN	SOT-23 ●
L2SD2114KVLT1G	BV	500	20	820/1800	10/3	0.4	500/20	350	NPN	SOT-23 ●
L2SD2114KWLT1G	BW	500	20	1200/2700	10/3	0.4	500/20	350	NPN	SOT-23 ●
L9012PLT1G	12P	500	20	100/200	50/1	0.6	500/50	-	PNP	SOT-23 ●

1.3 3 Pin General Purpose Transistors

Device	Device Marking	I _C (mA)	V _{CEO} (V)	h _{FE}		V _{CE(sat)}		f _T TYP (MHz)	Polarity	Package ● Available for automotive applications
				Min/Max	I _C /V _{CE} (mA)/(Volts)	Max (Volts)	I _C /I _B (mA)			
L9012QLT1G	12Q	500	20	150/300	50/1	0.6	500/50	100	PNP	SOT-23 ●
L9012RLT1G	12R	500	20	200/400	50/1	0.6	500/50	-	PNP	SOT-23 ●
L9012SLT1G	12S	500	20	300/600	50/1	0.6	500/50	-	PNP	SOT-23
L9013PLT1G	13P	500	20	100/200	50/1	0.6	500/50	-	NPN	SOT-23 ●
L9013QLT1G	13Q	500	20	150/300	50/1	0.6	500/50	100	NPN	SOT-23 ●
L9013RLT1G	13R	500	20	200/400	50/1	0.6	500/50	100	NPN	SOT-23 ●
L9013SLT1G	13S	500	20	300/600	50/1	0.6	500/50	100	NPN	SOT-23 ●
LMBT2516QLT1G	1GD	500	25	100/300	100/1.0	0.5	500/50	~	PNP	SOT-23
LMBT2506QLT1G	1GC	500	25	100/300	100/1.0	0.5	500/50	~	NPN	SOT-23
L2SA1036KRLT1G	HR	500	32	180/390	10/3	0.4	100/10	200	PNP	SOT-23 ●
L2SC2411KQLT1G	CQ	500	32	120/270	-/3	0.4	500/50	250	NPN	SOT-23 ●
L2SC2411KRLT1G	CR	500	32	180/390	-/3	0.4	500/50	250	NPN	SOT-23 ●
LBC807-16LT1G	5A1	500	45	100/250	100/1	0.7	500/50	100	PNP	SOT-23 ●
LBC807-16WT1G	5A	500	45	100/250	100/1	0.7	500/50	100	PNP	SC-70
LBC807-25LT1G	5B1	500	45	160/400	100/1	0.7	500/50	100	PNP	SOT-23 ●
LBC807-25WT1G	5B	500	45	160/400	100/1	0.7	500/50	100	PNP	SC-70 ●
LBC807-40LT1G	5C1	500	45	250/600	100/1	0.7	55/50	100	PNP	SOT-23 ●
LBC807-40WT1G	YL	500	45	250/600	100/1	0.7	500/50	100	PNP	SC-70 ●
LBC817-16LT1G	6A	500	45	100/250	100/1	0.7	500/50	200	NPN	SOT-23 ●
LBC817-16WT1G	6A	500	45	100/250	100/1	0.7	500/50	200	NPN	SC-70 ●
LBC817-25LT1G	6B	500	45	160/400	100/1	0.7	500/50	200	NPN	SOT-23 ●
LBC817-25WT1G	6B	500	45	160/400	100/1	0.7	500/50	200	NPN	SC-70 ●
LBC817-40LT1G	6C	500	45	250/600	100/1	0.7	500/50	200	NPN	SOT-23 ●
LBC817-40WT1G	YM	500	45	250/600	100/1	0.7	500/50	200	NPN	SC-70 ●
LMBTA05LT1G	1H	500	60	100/-	10/1	0.25	100/10	100	NPN	SOT-23 ●
LMBTA55LT1G	2H	500	60	100/-	10/1	0.25	100/10	50	PNP	SOT-23 ●
LMBTA06LT1G	1GM	500	80	100/-	10/1	0.25	100/10	100	NPN	SOT-23 ●
LMBTA56LT1G	2GM	500	80	100/-	10/1	0.25	100/10	50	PNP	SOT-23 ●
LMBT6517LT1G	1Z	500	350	30/200	30/10	1	50/5	40	NPN	SOT-23 ●
LMBT6520LT1G	2Z	500	350	30/200	30/10	1	50/5	40	PNP	SOT-23 ●
LMBT5551LT1G	G1	600	160	80/250	10/5	0.2	50/5	-	NPN	SOT-23 ●
L2SA1365FLT1G	AF	700	20	150/800	100/4	0.5	500/25	180	PNP	SOT-23 ●
L8050PLT1G	80P	800	25	120/200	-	0.5	800/80	-	NPN	SOT-23 ●
L8050QLT1G	1YC	800	25	150/300	-	0.5	800/80	-	NPN	SOT-23 ●
L8550PLT1G	85P	800	25	120/200	-	0.5	800/80	-	PNP	SOT-23 ●
L8550QLT1G	1YD	800	25	150/300	-	0.5	800/80	-	PNP	SOT-23 ●
L2SB1197KQLT1G	AHQ	800	32	120/270	100/3	0.5	500/50	200	PNP	SOT-23 ●
L2SB1197KRLT1G	AHR	800	32	180/390	100/3	0.5	500/50	200	PNP	SOT-23 ●
L2SD1781KRLT1G	AFR	800	32	120/390	100/3	0.4	500/50	150	NPN	SOT-23 ●
LMBTH10QLT1G	3EQ	-	25	120/-	-	0.5	4/0.4	650	NPN	SOT-23 ●



2. 6 Pin General Purpose Transistors

Device	Device Marking	I _C (mA)	V _{CEO} (V)	h _{FE}		V _{CE(sat)}		f _T TYP (MHz)	Style	Package ● Available for automotive applications
				Min/Max	I _C /V _{CE} (mA)/(Volts)	Max (Volts)	I _C /I _B (mA)			
LBC817-25DPMT1G	56B	500	45	160/400	100/1	0.7	500/50	100	G	SC-74
LBC848BPDW1T1G	BK	100	30	200/475	2/5	0.65	100/5	100	G	SC-88 ●
L2SC4083PT1G	H01	50	11	82/180	5/10	0.5	10/5	3200	D	SC-74
LBC848BDW1T1G	1K	100	30	200/450	2/5	0.6	100/5	100	E	SC-88 ●
LBC848CDW1T1G	1L	100	30	420/800	2/5	0.6	100/5	100	E	SC-88 ●
LBC848CPDW1T1G	BL	100	30	420/800	2/5	0.25	10/0.5	100	G	SC-88 ●
LBC858BDW1T1G	3K	100	30	220/475	2/5	0.3	10/0.5	100	F	SC-88 ●
LBC858CDW1T1G	3L	100	30	420/800	2/5	0.3	10/0.5	100	F	SC-88
LBC847BDW1T1G	1F	100	45	200/450	2/5	0.6	100/5	100	E	SC-88 ●
LBC847BPDW1T1G	BF	100	45	200/475	2/5	0.6	100/5	100	G	SC-88 ●
LBC847CDW1T1G	1G	100	45	420/800	2/5	0.25	10/0.5	100	E	SC-88 ●
LBC857BDW1T1G	3F	100	45	220/475	2/5	0.65	100/5	100	F	SC-88 ●
LBC857CDW1T1G	3G	100	45	420/800	2/5	0.65	100/5	100	F	SC-88 ●
LBC846BDW1T1G	1B	100	65	200/450	2/5	0.25	10/0.5	100	E	SC-88 ●
LBC846BPDW1T1G	BB	100	65	200/475	2/5	0.6	100/5	100	G	SC-88 ●
LBC856BDW1T1G	3B	100	65	220/475	2/5	0.3	10/0.5	100	F	SC-88 ●
L2SC2412KQMT1G	BQ	150	50	120/270	1/6	0.4	50/5	180	C	SC-74
L2SC2412KRMT1G	BR	150	50	180/390	1/6	0.4	50/5	180	C	SC-74
L2SC2412KSMT1G	G1F	150	50	270/560	1/6	0.4	50/5	180	C	SC-74
LMBT5401DW1T1G	2L	500	150	60/240	10/5	0.5	50/5	100	F	SC-88 ●
LMBT5551DW1T1G	G1	600	140	80/250	10/5	0.2	50/5	-	E	SC-88 ●
LMBT5541DW1T1G	GL	600	140	80/250	10/5	0.20	50/5	100	H	SC-88 ●
		500	150	60/240	10/5	0.50	50/5	100		

3. 8 Pin General Purpose Transistors

Device	Device Marking	I _C (mA)	V _{CEO} (V)	h _{FE}		V _{CE(sat)}		f _T TYP (MHz)	Polarity	Package ● Available for automotive applications
				Min/Max	I _C /V _{CE} (mA)/(Volts)	Max (Volts)	I _C /I _B (mA)			
LBSS4350Q3T1G	S3	3000	50	300/-	500/2	0.08	500/50	100	NPN	DFN3030
LBSS5350Q3T1G	S5	3000	50	200/-	500/2	0.1	500/50	100	PNP	DFN3030

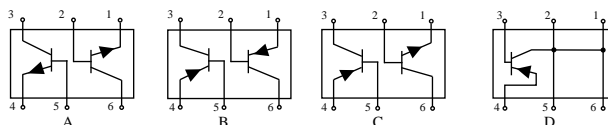
SWITCHING TRANSISTORS

1. 3 Pin Surface Mount General Purpose Switching Transistors

Device	Device Marking	I _C (mA)	V _{CEO} (V)	h _{FE}		f _T (Min) (MHz)	t _d (ns)	t _r (ns)	t _s (ns)	t _f (ns)	Polarity	Package ● Available for automotive applications
				Min/Max	I _C /V _{CE} (mA)/(Volts)							
LMBT2222AN3T5G	1P	600	40	100/300	150/10	300	10	25	225	60	NPN	SOT883
LMBT3904N3T5G	1A	200	40	100/300	10/1	300	35	35	200	50	NPN	SOT883 ●
LMBT3904TT1G	MA	200	40	100/300	10/1	300	35	35	200	50	NPN	SC-89 ●
LMBT3906TT1G	2A	200	40	100/300	10/1	250	35	35	225	75	PNP	SC-89 ●
LMBT3904WT1G	AM	200	40	100/300	10/1	300	35	35	200	50	NPN	SC-70 ●
LMBT3906WT1G	2A	200	40	100/300	10/1	250	35	35	225	75	PNP	SC-70 ●
LMBT3904LT1G	1AM	200	40	100/300	10/1	300	35	35	200	50	NPN	SOT-23 ●
LMBT3906LT1G	2A	200	40	100/300	10/1	250	35	35	225	75	PNP	SOT-23 ●
LMBT3908LT1G	1AM	200	40	100/300	10/1	300	35	35	350	50	NPN	SOT-23
LMBT2222AWT1G	P1	600	40	100/-	150/10	300	10	25	225	60	NPN	SC-70 ●
LMBT2907AWT1G	20	600	60	100/300	150/10	200	10	40	225	60	PNP	SC-70 ●
LMBT4401WT1G	2X	600	40	80/-	10/1	250	15	20	225	30	NPN	SC-70 ●
LMBT4403WT1G	2T	600	40	100/-	10/1	200	15	20	225	30	PNP	SC-70 ●
LMBT2222ATT1G	1P	600	40	100/300	150/10	250	10	25	225	60	NPN	SC-89 ●
LMBT4401LT1G	2X	600	40	80/-	10/1	250	15	20	225	30	NPN	SOT-23 ●
LMBT4403LT1G	2T	600	40	100/-	10/1	200	15	20	225	30	PNP	SOT-23 ●
LMBT2222ALT1G	1P	600	40	100/300	150/10	300	10	25	225	60	NPN	SOT-23 ●
LMBT2907ALT1G	2F	600	60	100/300	150/10	200	10	40	225	60	PNP	SOT-23 ●

2. 6 Pin Surface Mount General Purpose Switching Transistors

Device	Device Marking	I _C (mA)	V _{CEO} (V)	h _{FE}		f _T (Min) (MHz)	t _d (ns)	t _r (ns)	t _s (ns)	t _f (ns)	Style	Package
				Min/Max	I _C /V _{CE} (mA)/(Volts)							
LMBT3904DW1T1G	MA	200	40		10/1	300	10	40	80	30	A	SC-88
LMBT3906DW1T1G	A2	200	40	100/300	10/1	250	35	35	200	50	B	SC-88
LMBT3946DW1T1G	46	200	40	100/300	10/1	250	10	25	225	60	C	SC-88
LMBT2907ADW1T1G	2F	600	60	100/300	10/1	200	10	40	80	30	B	SC-88
LMBT2222ADW1T1G	XX	600	40	100/300	150/10	300	35	35	225	75	A	SC-88
LMBT4401DW1T1G	2X	600	40	100/300	150/1	250	15	20	225	30	A	SC-88
LMBT4403DW1T1G	2T	600	40	100/300	150/2.0	200	-	-	-	-	B	SC-88
LMBT4413DW1T1G	K13	600	40	100/300	150/1.0	250	-	-	-	-	C	SC-88
LMBT35200MT1G	G4	3000	60	100/300	500/2	140	-	-	-	-	D	TSOP-6





BIAS RESISTOR TRANSISTORS

1. 3 Pin Surface Mount Bias Resistor Transistors

Device	Device Marking	I _C (mA)	V _{CEO} (V)	h _{FE} @I _C			R ₁ (kΩ)	R ₂ (kΩ)	Polarity	Package ● Available for auto-motive applications
				Min	Max	(mA)				
LDTC143ZN3T5G	8K	100	50	80	-	5	4.7	47	NPN	SOT-883
LDTA114YN3T5G	6D	100	50	80	-	5	10	47	PNP	SOT-883
LDTC114YN3T5G	8D	100	50	80	-	5	10	47	NPN	SOT-883
LMUN5113T1G	P5	100	50	80	-	5	47	47	PNP	SC-70 ●
LDTA143ZM3T5G	6K	100	50	80	-	5	4.7	47	PNP	SOT-723
LDTC114EN3T5G	8A	100	50	35	-	5	10	10	NPN	SOT-883
LMUN5141T1G	6U	100	50	160	-	5	100	∞	PNP	SC-70 ●
LMUN5236T1G	8N	100	50	80	-	5	100	100	NPN	SC-70 ●
LMUN5241T1G	8U	100	50	160	-	5	100	∞	NPN	SC-70 ●
LDTD123TTL1G	E1	500	40	100	600	50	2.2	∞	NPN	SOT-23 ●
LDTD143TTL1G	E2	500	40	100	-	50	4.7	∞	NPN	SOT-23
LDTD114TTL1G	E3	500	50	33	-	50	10	∞	NPN	SOT-23
LDTD113ELT1G	E4	500	50	39	-	50	1	1	NPN	SOT-23
LDTD123ELT1G	F22	500	50	47	-	50	2.2	2.2	NPN	SOT-23 ●
LDTD143ELT1G	E6	500	50	56	-	50	4.7	4.7	NPN	SOT-23 ●
LDTD114GLT1G	E7	500	50	56	600	100	∞	10	NPN	SOT-23
LDTD113ZLT1G	E8	500	50	56	-	50	1	10	NPN	SOT-23 ●
LDTD123YLT1G	F62	500	50	56	-	50	2.2	10	NPN	SOT-23 ●
LDTD114ELT1G	CA	500	50	100	600	50	10	10	NPN	SOT-23 ●
LDTB123TTL1G	K1	500	40	100	-	50	2.2	∞	PNP	SOT-23
LDTB143TTL1G	K2	500	40	100	600	50	4.7	∞	PNP	SOT-23
LDTB114TTL1G	K3	500	40	100	-	50	10	∞	PNP	SOT-23
LDTB113ELT1G	K4	500	50	39	-	50	1	1	PNP	SOT-23
LDTB123ELT1G	K5	500	50	47	-	50	2.2	2.2	PNP	SOT-23
LDTB143ELT1G	K6	500	50	56	-	50	4.7	4.7	PNP	SOT-23
LDTB114GLT1G	K7	500	50	56	-	100	∞	10	PNP	SOT-23
LDTB113ZLT1G	K8	500	50	56	-	50	1	10	PNP	SOT-23 ●
LDTB123YLT1G	F52	500	50	56	-	50	2.2	10	PNP	SOT-23 ●
LDTB114ELT1G	F14	500	50	100	600	50	10	10	PNP	SOT-23 ●
LDTDG12GPLT1G	Q7	1000	50	300	-	-	1	22	NPN	SOT-23
LDTBG12GPLT1G	Q8	1000	50	300	-	-	1	22	PNP	SOT-23
LDTA114EM3T5G	6A	100	50	35	-	5	10	10	PNP	SOT-723
LDTA114TM3T5G	6E	100	50	160	-	5	10	∞	PNP	SOT-723
LDTA114YM3T5G	6D	100	50	80	-	5	10	47	PNP	SOT-723
LDTA115EM3T5G	6N	100	50	80	-	5	100	100	PNP	SOT-723
LDTA123EM3T5G	6H	100	50	8	-	5	2.2	2.2	PNP	SOT-723
LDTA123JM3T5G	6M	100	50	80	-	5	2.2	47	PNP	SOT-723

1.1 3 Pin Surface Mount Bias Resistor Transistors

Device	Device Marking	I _C (mA)	V _{CEO} (V)	h _{FE} @I _C			R ₁ (kΩ)	R ₂ (kΩ)	Polarity	Package ● Available for automotive applications
				Min	Max	(mA)				
LDTA124EM3T5G	6B	100	50	60	-	5	22	22	PNP	SOT-723
LDTA124XM3T5G	6L	100	50	80	-	5	22	47	PNP	SOT-723
LDTA143EM3T5G	6J	100	50	15	-	5	4.7	4.7	PNP	SOT-723
LDTA143TM3T5G	6F	100	50	160	-	5	4.7	∞	PNP	SOT-723
LDTA144EM3T5G	6C	100	50	80	-	5	47	47	PNP	SOT-723
LDTA144TM3T5G	6T	100	50	100	-	7	47	∞	PNP	SOT-723
LDTC114EM3T5G	8A	100	50	35	-	5	10	10	NPN	SOT-723
LDTC114TM3T5G	94	100	50	160	-	5	10	∞	NPN	SOT-723
LDTC114YM3T5G	8D	100	50	80	-	5	10	47	NPN	SOT-723
LDTC115EM3T5G	8N	100	50	80	-	5	100	100	NPN	SOT-723
LDTC123EM3T5G	8H	100	50	8	-	5	2.2	2.2	NPN	SOT-723
LDTC123JM3T5G	8M	100	50	80	-	5	2.2	47	NPN	SOT-723
LDTC124EM3T5G	8B	100	50	60	-	5	22	22	NPN	SOT-723
LDTC124XM3T5G	8L	100	50	80	-	5	22	47	NPN	SOT-723
LDTC143EM3T5G	8J	100	50	15	-	5	4.7	4.7	NPN	SOT-723
LDTC143TM3T5G	8F	100	50	160	-	5	4.7	∞	NPN	SOT-723
LDTC143ZM3T5G	8K	100	50	80	-	5	4.7	47	NPN	SOT-723
LDTC144EM3T5G	8C	100	50	80	-	5	47	47	NPN	SOT-723
LDTC144TM3T5G	8T	100	50	160	-	5	47	∞	NPN	SOT-723
LDTC123EET1G	8H	100	50	20	-	20	2.2	2.2	NPN	SC-89
LDTC143EET1G	8J	100	50	20	-	10	4.7	4.7	NPN	SC-89 ●
LDTC114EET1G	8A	100	50	30	-	5		10	NPN	SC-89 ●
LDTC124EET1G	8B	100	50	56	-	5	22	22	NPN	SC-89
LDTC144EET1G	8C	100	50	68	-	5	47	47	NPN	SC-89 ●
LDTC115EET1G	8N	100	50	82	-	5	100	100	NPN	SC-89 ●
LDTC113ZET1G	N7	100	50	33	-	5	1	10	NPN	SC-89
LDTC123YET1G	N8	100	50	33	-	10	2.2	10	NPN	SC-89
LDTC123JET1G	8M	100	50	80	-	10	2.2	47	NPN	SC-89 ●
LDTC143XET1G	M1	100	50	30	-	10	4.7	10	NPN	SC-89
LDTC143YET1G	M2	100	50	-	-	5	4.7	22	NPN	SC-89
LDTC143ZET1G	8K	100	50	80	-	10	4.7	47	NPN	SC-89 ●
LDTC114WET1G	M4	100	50	24	-	10	10	4.7	NPN	SC-89
LDTC114YET1G	8D	100	50	80	-	5	10	47	NPN	SC-89 ●
LDTC124XET1G	8L	100	50	80	-	5	22	47	NPN	SC-89
LDTC144VET1G	M7	100	50	33	-	5	47	10	NPN	SC-89
LDTC144WET1G	8P	100	50	80	-	5	47	22	NPN	SC-89
LDTC113YET1G	M9	100	50	100	600	-	1	∞	NPN	SC-89
LDTC123TKT1G	H1	100	50	100	600	1	2.2	∞	NPN	SC-89
LDTC143TET1G	8F	100	50	160	600	1	4.7	∞	NPN	SC-89 ●
LDTC114TET1G	94	100	50	160	600	1	10	∞	NPN	SC-89 ●



1.2 3 Pin Surface Mount Bias Resistor Transistors

Device	Device Marking	I _C (mA)	V _{CEO} (V)	h _{FE} @I _C			R ₁ (kΩ)	R ₂ (kΩ)	Polarity	Package	● Available for automotive applications
				Min	Max	(mA)					
LDTC124TET1G	H4	100	50	100	600	1	22	∞	NPN	SC-89	
LDTC144TET1G	H5	100	50	100	600	1	47	∞	NPN	SC-89	●
LDTC115TET1G	H6	100	50	100	600	1	100	∞	NPN	SC-89	
LDTC125TET1G	H7	100	50	100	600	1	200	∞	NPN	SC-89	
LDTC114GET1G	H8	100	50	30	-	5	∞	10	NPN	SC-89	
LDTC124GET1G	H9	100	50	68	-	5	∞	22	NPN	SC-89	
LDTC144GET1G	L1	100	50	68	-	5	∞	47	NPN	SC-89	
LDTC115GET1G	L2	100	50	68	-	5	∞	100	NPN	SC-89	
LDTA123EET1G	6H	100	50	8	-	20	2.2	2.2	PNP	SC-89	
LDTA143EET1G	43	100	50	15	-	10	4.7	4.7	PNP	SC-89	●
LDTA114EET1G	6A	100	50	35	-	5	10	10	PNP	SC-89	●
LDTA124EET1G	6B	100	50	60	-	5	22	22	PNP	SC-89	
LDTA144EET1G	6C	100	50	80	-	5	47	47	PNP	SC-89	●
LDTA115EET1G	6N	100	50	82	-	5	100	100	PNP	SC-89	
LDTA113ZET1G	P7	100	50	33	-	5	1	10	PNP	SC-89	
LDTA123YET1G	P8	100	50	33	-	10	2.2	10	PNP	SC-89	●
LDTA123JET1G	6M	100	50	80	-	10	2.2	47	PNP	SC-89	
LDTA143XET1G	33	100	50	30	-	10	4.7	10	PNP	SC-89	
LDTA143YET1G	L4	100	50	-	-	5	4.7	22	PNP	SC-89	
LDTA143ZET1G	6K	100	50	80	-	10	4.7	47	PNP	SC-89	●
LDTA114WET1G	L6	100	50	24	-	10	10	4.7	PNP	SC-89	
LDTA114YET1G	6D	100	50	80	-	5	10	47	PNP	SC-89	●
LDTA124XET1G	6L	100	50	80	-	5	22	47	PNP	SC-89	
LDTA144VET1G	L9	100	50	33	-	5	47	10	PNP	SC-89	
LDTA144WET1G	6P	100	50	80	-	5	47	22	PNP	SC-89	
LDTA113TKT1G	O2	100	50	100	600	1	1	∞	PNP	SC-89	
LDTA123TKT1G	O3	100	50	56	-	1	2.2	∞	PNP	SC-89	
LDTA143TET1G	6F	100	50	160	600	1	4.7	∞	PNP	SC-89	●
LDTA114TET1G	6E	100	50	160	600	1	10	∞	PNP	SC-89	
LDTA124TET1G	O6	100	50	100	600	1	22	∞	PNP	SC-89	
LDTA144TET1G	O7	100	50	100	600	1	47	∞	PNP	SC-89	
LDTA115TET1G	O8	100	50	100	600	1	100	∞	PNP	SC-89	
LDTA125TET1G	O9	100	50	100	600	1	200	∞	PNP	SC-89	
LDTA114GET1G	Q1	100	50	30	-	5	∞	10	PNP	SC-89	
LDTA124GET1G	Q2	100	50	68	-	5	∞	22	PNP	SC-89	
LDTA144GET1G	Q3	100	50	68	-	5	∞	47	PNP	SC-89	
LDTA115GET1G	Q4	100	50	68	-	5	∞	100	PNP	SC-89	
LMUN2111LT1G	A6A	100	50	35	-	5	10	10	PNP	SOT-23	●
LMUN2112LT1G	A6B	100	50	60	-	5	22	22	PNP	SOT-23	●
LMUN2113LT1G	A6C	100	50	80	-	5	47	47	PNP	SOT-23	●

1.3 3 Pin Surface Mount Bias Resistor Transistors

Device	Device Marking	I _C (mA)	V _{CEO} (V)	h _{FE} @I _C			R ₁ (kΩ)	R ₂ (kΩ)	Polarity	Package	● Available for automotive applications
				Min	Max	(mA)					
LMUN2114LT1G	A6D	100	50	80	-	5	10	47	PNP	SOT-23	●
LMUN2115LT1G	A6E	100	50	160	-	5	10	∞	PNP	SOT-23	
LMUN2116LT1G	A6F	100	50	160	-	5	4.7	∞	PNP	SOT-23	
LMUN2130LT1G	A6G	100	50	3	-	5	1	1	PNP	SOT-23	
LMUN2131LT1G	A6H	100	50	8	-	5	2.2	2.2	PNP	SOT-23	
LMUN2132LT1G	A6J	100	50	15	-	5	4.7	4.7	PNP	SOT-23	●
LMUN2133LT1G	A6K	100	50	80	-	5	4.7	47	PNP	SOT-23	●
LMUN2134LT1G	A6L	100	50	80	-	5	22	47	PNP	SOT-23	●
LMUN2135LT1G	A6M	100	50	80	-	5	2.2	47	PNP	SOT-23	●
LMUN2136LT1G	A6N	100	50	80	-	5	100	100	PNP	SOT-23	
LMUN2137LT1G	A6P	100	50	80	-	5	47	55	PNP	SOT-23	●
LMUN2138LT1G	A6R	100	50	160	-	5	2.2	∞	PNP	SOT-23	
LMUN2140LT1G	A6T	100	50	120	-	5	47	∞	PNP	SOT-23	
LMUN2211LT1G	A8A	100	50	35	-	5	10	10	NPN	SOT-23	●
LMUN2212LT1G	A8B	100	50	60	-	5	22	22	NPN	SOT-23	●
LMUN2213LT1G	A8C	100	50	80	-	5	47	47	NPN	SOT-23	●
LMUN2214LT1G	A8D	100	50	80	-	5	10	47	NPN	SOT-23	●
LMUN2215LT1G	A8E	100	50	160	-	5	10	∞	NPN	SOT-23	●
LMUN2216LT1G	A8F	100	50	160	-	5	4.7	∞	NPN	SOT-23	●
LMUN2230LT1G	A8G	100	50	3	-	5	1	1	NPN	SOT-23	
LMUN2231LT1G	A8H	100	50	8	-	5	2.2	2.2	NPN	SOT-23	●
LMUN2232LT1G	A8J	100	50	15	-	5	4.7	4.7	NPN	SOT-23	●
LMUN2233LT1G	A8K	100	50	80	-	5	4.7	47	NPN	SOT-23	●
LMUN2234LT1G	A8L	100	50	80	-	5	22	47	NPN	SOT-23	●
LMUN2235LT1G	A8M	100	50	80	-	5	2.2	47	NPN	SOT-23	●
LMUN2236LT1G	A8N	100	50	80	-	5	100	100	NPN	SOT-23	
LMUN2237LT1G	A8P	100	50	80	-	5	47	22	NPN	SOT-23	●
LMUN2238LT1G	A8R	100	50	160	-	5	2.2	∞	NPN	SOT-23	●
LMUN2240LT1G	A8T	100	50	100	-	5	47	∞	NPN	SOT-23	
LMUN2241LT1G	A8U	100	50	160	-	5	100	∞	NPN	SOT-23	●
LMUN5111T1G	6A	100	50	35	-	5	10	10	PNP	SC-70	●
LMUN5112T1G	6B	100	50	60	-	5	22	22	PNP	SC-70	●
LMUN5114T1G	6D	100	50	80	-	5	10	47	PNP	SC-70	●
LMUN5115T1G	6E	100	50	160	-	5	10	∞	PNP	SC-70	
LMUN5116T1G	6F	100	50	160	-	5	4.7	∞	PNP	SC-70	
LMUN5130T1G	6G	100	50	3	-	5	1	1	PNP	SC-70	
LMUN5131T1G	6H	100	50	8	-	5	2.2	2.2	PNP	SC-70	
LMUN5132T1G	6J	100	50	15	-	5	4.7	4.7	PNP	SC-70	●
LMUN5133T1G	6K	100	50	80	-	5	4.7	47	PNP	SC-70	
LMUN5134T1G	6L	100	50	80	-	5	22	47	PNP	SC-70	

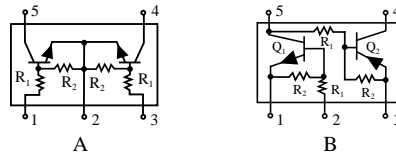


1.4 3 Pin Surface Mount Bias Resistor Transistors

Device	Device Marking	I _C (mA)	V _{CEO} (V)	h _{FE} @I _C			R ₁ (kΩ)	R ₂ (kΩ)	Polarity	Package
				Min	Max	(mA)				
LMUN5135T1G	6M	100	50	80	-	5	2.2	47	PNP	SC-70
LMUN5136T1G	6N	100	50	80	-	5	100	100	PNP	SC-70
LMUN5137T1G	6P	100	50	80	-	5	47	22	PNP	SC-70
LMUN5211T1G	8A	100	50	35	-	5	10	10	NPN	SC-70
LMUN5212T1G	8B	100	50	60	-	5	22	22	NPN	SC-70
LMUN5213T1G	8C	100	50	80	-	5	47	47	NPN	SC-70
LMUN5214T1G	8D	100	50	80	-	5	10	47	NPN	SC-70
LMUN5215T1G	8E	100	50	160	-	5	10	∞	NPN	SC-70
LMUN5216T1G	8F	100	50	160	-	5	4.7	∞	NPN	SC-70
LMUN5230T1G	8G	100	50	3	-	5	1	1	NPN	SC-70
LMUN5231T1G	8H	100	50	8	-	5	2.2	2.2	NPN	SC-70
LMUN5232T1G	8J	100	50	15	-	5	4.7	4.7	NPN	SC-70
LMUN5233T1G	8K	100	50	80	-	5	4.7	47	NPN	SC-70
LMUN5234T1G	8L	100	50	80	-	5	22	47	NPN	SC-70
LMUN5235T1G	8N	100	50	80	-	5	2.2	47	NPN	SC-70
LMUN5237T1G	8P	100	50	80	-	5	47	22	NPN	SC-70

2. 5 Pin Surface Mount Bias Resistor Transistors

Device	Device Marking	I _C (mA)	V _{CEO} (V)	h _{FE} @I _C			R ₁ (kΩ)	R ₂ (kΩ)	Style	Package
				Min	Max	(mA)				
LUMG2NT1G	G2	100	50	68	-	5	47/47	47/47	A	SC-88A
LRX102UT1G	BM	100	50	80	-	10	47/10	47/47	B	SC-88A

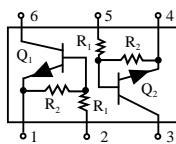


3. 6 Pin Surface Mount Bias Resistor Transistors

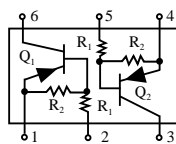
Device	Device Marking	I _C (mA)	V _{CEO} (V)	h _{FE} @I _C			R ₁ (kΩ)	R ₂ (kΩ)	Style	Package
				Min	Max	(mA)				
LMUN5136DW1T1G	0N	100	50	80	-	5	100	100	B	SC-88
LMUN5137DW1T1G	0P	100	50	80	-	5	47	22	B	SC-88
LMUN5211DW1T1G	7A	100	50	35	-	5	10	10	A	SC-88
LMUN5212DW1T1G	7B	100	50	60	-	5	22	22	A	SC-88
LMUN5213DW1T1G	7C	100	50	80	-	5	47	47	A	SC-88
LMUN5214DW1T1G	7D	100	50	80	-	5	10	47	A	SC-88
LMUN5215DW1T1G	7E	100	50	160	-	5	10	∞	A	SC-88
LMUN5216DW1T1G	7F	100	50	160	-	5	4.7	∞	A	SC-88
LMUN5230DW1T1G	7G	100	50	3	-	5	1	1	A	SC-88

3.1 6 Pin Surface Mount Bias Resistor Transistors

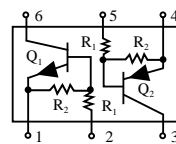
Device	Device Marking	I _C (mA)	V _{CEO} (V)	h _{FE} @I _C			R ₁ (kΩ)	R ₂ (kΩ)	Style	Package ● Available for automotive applications	
				Min	Max	(mA)					
LMUN5231DW1T1G	7H	100	50	8	-	5	2.2	2.2	A	SC-88	●
LMUN5232DW1T1G	7J	100	50	15	-	5	4.7	4.7	A	SC-88	
LMUN5233DW1T1G	7K	100	50	80	-	5	4.7	47	A	SC-88	●
LMUN5234DW1T1G	7L	100	50	80	-	5	22	47	A	SC-88	
LMUN5235DW1T1G	7M	100	50	80	-	5	2.2	47	A	SC-88	●
LMUN5236DW1T1G	7N	100	50	80	-	5	100	100	A	SC-88	
LMUN5237DW1T1G	7P	100	50	80	-	5	47	22	A	SC-88	
LMUN5311DW1T1G	11	100	50	35	-	5	10	10	C	SC-88	●
LMUN5312DW1T1G	12	100	50	60	-	5	22	22	C	SC-88	●
LMUN5313DW1T1G	13	100	50	80	-	5	47	47	C	SC-88	●
LMUN5314DW1T1G	14	100	50	80	-	5	10	47	C	SC-88	●
LMUN5315DW1T1G	15	100	50	160	-	5	10	∞	C	SC-88	●
LMUN5316DW1T1G	16	100	50	160	-	5	4.7	∞	C	SC-88	
LMUN5330DW1T1G	30	100	50	3	-	5	1	1	C	SC-88	
LMUN5331DW1T1G	31	100	50	8	-	5	2.2	2.2	C	SC-88	
LMUN5332DW1T1G	32	100	50	15	-	5	4.7	4.7	C	SC-88	
LMUN5333DW1T1G	33	100	50	80	-	5	4.7	47	C	SC-88	
LMUN5334DW1T1G	34	100	50	80	-	5	22	47	C	SC-88	
LMUN5335DW1T1G	35	100	50	80	-	5	2.2	47	C	SC-88	●
LMUN5336DW1T1G	36	100	50	80	-	5	100	100	C	SC-88	



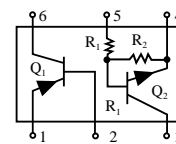
A



B



C



D



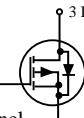
MOS FETs

1. 3 Pin Surface Mount MOS FETs

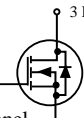
Device	V _{DSS} (V)	V _{DS} (V)	I _D (A)	V _{GS(th)}		t _{d(on)} (ns)	t _{d(off)} (ns)	R _{DS(on)}		Package	Polarity ●available for automotive applications
				Min (V)	Max (V)			Max (mΩ)	@ V _{GS} /I _{DS} (V)/(A)		
LP1480WT1G	20	8	1.4	0.4	0.9	17.28	36.05	255	4.5/1	SC-70	P-Channel
LP1485WT1G	20	8	1.4	0.4	0.9	17.28	36.05	160	4.5/1	SC-70	P-Channel
LP1488WT1G	20	8	1.4	0.4	0.9	17.28	36.05	100	4.5/1	SC-70	P-Channel
LN1482WT1G	30	12	1.8	0.5	1.5			112	4.5/1	SC-70	N-Channel(with ESD)
LPB2305LT1G	30	12	4.2	0.7	1.3	11.36	34.88	130	2.5/1.0	SOT-23-LC	P-Channel
LPB3407LT1G	30	20	4.1	1	3	7.5	19	70	10/4.1	SOT-23-LC	P-Channel
LPB3443LT1G	20	12	4.7	0.6	1.4	22	45	70	4.5/4.7	SOT-23-LC	P-Channel
LNB2306ELT1G	30	20	5.3	1	3	9.2	33	40	10/6.7	SOT-23-LC	N-Channel(with ESD)
LDN2367T1G	20	12	6.3	0.5	1.2	10	35	22	4.5/4.5	SOT-23-6	Dual-N
LDN3408ET1G	30	12	2	0.6	1.4	98	2600	90	4.5/2	SOT-23-6	Dual-N(with ESD)
LNP2601T1G	20	8	3	0.5	0.8	6.16	16.61	60	4.5/2.8	SOT-23-6	Complementary N-Channel
	20	8	2.5	0.4	1	17.28	36.05	100	4.5/2.8	SOT-23-6	Complementary P-Channel
LN3496T1G	150	20	2.4	1	3	4	18	245	10/2.1	SOT-23-6	N-Channel
LP2305DSL1G	12	8	3.5	0.45	0.8	13	55	68	4.5/3.5	SOT-23	P-Channel
LP2307LT1G	16	8	4.7	0.6	1.4	22	45	70	4.5/4.7	SOT-23	P-Channel
LP2301LT1G	20	8	2.3	0.4	0.9	17.28	36.05	100	4.5/2.8	SOT-23	P-Channel
LP2301ALT1G	20	8	2	0.4	1	50	40	110	4.5/2.8	SOT-23	P-Channel
LP2301BLT1G	20	8	2.8	0.4	0.9	17.28	36.05	100	4.5/2.8	SOT-23	P-Channel
LP2301ELT1G	20	8	2.8	0.4	0.9	1350	5550	105	4.5/2.8	SOT-23	P-Channel(with ESD)
LP3415ELT1G	20	8	4	0.3	1	965.2	7716	60	4.5/4.0	SOT-23	P-Channel(with ESD)
LP3443LT1G	20	12	4.7	0.6	1.4	22	45	70	4.5/4.7	SOT-23	P-Channel
LP4101LT1G	20	8	2.3	0.45	0.95	17.28	36.05	150	2.5/2.0	SOT-23	P-Channel
LP2305LT1G	30	12	4.2	0.7	1.3	11.36	34.88	130	2.5/1.0	SOT-23	P-Channel
LP2305ALT1G	20	8	4	0.45	0.8	13	55	68	4.5/3.5	SOT-23	P-Channel
LP3401LT1G	30	12	4.2	0.7	1.3	6.3	38.2	120	2.5/1.0	SOT-23	P-Channel
LP3401ALT1G	30	12	3.2	0.6	1.3	41	57	110	4.5/4.0	SOT-23	P-Channel
LP9435LT1G	30	20	5.3	1	3	9	75	70	10/5.3	SOT-23	P-Channel
LP3407LT1G	30	20	4.1	1	3	7.5	19	70	10/4.1	SOT-23	P-Channel
LP2309LT1G	60	20	1.9	1	3	20	5.2	215	10/1.8	SOT-23	P-Channel
LN2302LT1G	20	8	2.3	0.6	1.2	6.16	16.61	60	4.5/2.8	SOT-23	N-Channel
LN2302ALT1G	20	8	2.8	0.6	1.2	9	38	85	4.5/2.8	SOT-23	N-Channel
LN2302BLT1G	20	8	2.8	0.6	1.2	9	38	85	4.5/2.8	SOT-23	N-Channel
LN2312LT1G	20	12	4.9	0.4	1	15	48	41	4.5/5.0	SOT-23	N-Channel
LN2502LT1G	20	12	4.2	0.4	0.9	8	22	40	4.5/6.0	SOT-23	N-Channel
LN4501LT1G	20	8	3.2	0.6	1.2	6.5	12	80	4.5/3.6	SOT-23	N-Channel
LN2306LT1G	30	12	5.8	0.7	1.4	7	38	38	10/5.8	SOT-23	N-Channel

1.1 3 Pin Surface Mount MOS FETs


Device	V _{DSS} (V)	V _{DS} (V)	I _D (A)	V _{GS(th)}		t _{d(on)} (ns)	t _{d(off)} (ns)	R _{DS(on)}		Package	Polarity ●available for automotive applications
				Min (V)	Max (V)			Max (mΩ)	@ V _{GS} /I _{DS} (V)/(A)		
LN2316ELT1G	20	8	6.5	0.4	1	250	3950	23	10/5.8	SOT-23	N-Channel(with ESD)
LN4812LT1G	30	20	6	1	3	9	30	38	10/6.0	SOT-23	N-Channel
LN2308LT1G	60	20	2.6	1	3	10	29	82	10/2.6	SOT-23	N-Channel
LN2292LT1G	100	20	3	1	3	9.6	25	200	10/3	SOT-23	N-Channel
LN2294LT1G	110	20	3	1	3	9.6	25	200	10/3	SOT-23	N-Channel
L2N7002SLT1G	60	20	0.32	1	2	2.7	13	2800	10/0.5	SOT23	N-Channel(with ESD) ●
L2N7002SWT1G	60	20	0.32	1	2	2.7	13	2800	10/0.5	SC70	N-Channel(with ESD)
LBSS139WT1G	50	20	0.2	0.5	1.5	3.8	19	3500	5/0.2	SC-70	N-Channel(with ESD) ●
LNTK4003M3T5G	30	20	0.5	0.8	1.6	16.7	65.1	1500	4/0.01	SOT-723	N-Channel(with ESD)
L2SK3541M3T5G	30	20	0.1	0.8	1.5	15	80	8000	4/0.01	SOT-723	N-Channel(with ESD)
LNTS4409NWT1G	25	8	0.7	0.5	1.5	5	23	350	4.5/0.6	SC-70	N-Channel(with ESD) ●
L2N7002FLT1G	30	20	0.22	0.8	1.5	10.1	31.3	13000	2.5/0.001	SOT-23	N-Channel(with ESD) ●
LBSS123LT1G	100	20	0.17	0.8	2	20	40	6000	10/0.1	SOT-23	N-Channel ●
LNTK3043NT5G	20	10	0.255	0.4	1.3	13	94	3400	4.5/0.01	SOT-723	N-Channel(with ESD)
LNTK3043PT5G	20	10	0.255	0.4	1.3	13	94	3400	4.5/0.01	SOT-723	P-Channel(with ESD)
LSII012XT1G	20	6	0.5	0.45	0.9	5	25	700	4.5/0.6	SC-89	N-Channel(with ESD) ●
LSII012LT1G	20	6	0.5	0.45	0.9	5	25	700	4.5/0.6	SOT-23	N-Channel(with ESD) ●
LSII013LT1G	20	6	0.35	0.45	-	5	35	1200	4.5/0.35	SOT-23	P-Channel(with ESD) ●
LSII013XT1G	20	6	0.35	0.45	-	5	35	1200	4.5/0.35	SC-89	P-Channel(with ESD) ●
LNTA4001NT1G	20	10	0.238	0.5	1.5	13	98	3000	4.5/0.01	SC-89	N-Channel(with ESD) ●
LNTR4003NLT1G	30	20	0.5	0.8	1.6	16.7	65.1	2000	2.5/0.01	SOT-23	N-Channel(with ESD) ●
L2SK3018WT1G	30	20	0.1	0.8	1.5	15	80	8000	4/0.01	SC-70	N-Channel(with ESD)
L2SK3019LT1G	30	20	0.1	0.8	1.5	15	80	13000	2.5/0.001	SOT-23	N-Channel(with ESD) ●
L2N7002FWT1G	30	20	0.22	0.8	1.5	10.1	31.3	13000	2.5/0.001	SC-70	N-Channel(with ESD)
LNTA7002NT1G	30	20	0.154	0.5	1.5	13	98	7000	4.5/0.154	SC-89	N-Channel(with ESD) ●
LBSS84LT1G	50	20	0.13	0.8	2	2.5	16	10000	5/0.1	SOT-23	P-Channel ●
LBSS84WT1G	50	20	0.13	0.8	2	2.5	16	10000	5/0.1	SC-70	P-Channel ●
LBSS138LT1G	50	20	0.2	0.5	1.5	20	20	3500	5/0.2	SOT-23	N-Channel ●
LBSS138WT1G	50	20	0.2	0.5	1.5	20	20	3500	5/0.2	SC-70	N-Channel ●
LBSS139LT1G	50	20	0.2	0.5	1.5	20	20	3500	5/0.2	SOT-23	N-Channel(with ESD) ●
L2N7002LT1G	60	20	0.115	1	2	20	40	7500	10/0.5	SOT-23	N-Channel(with ESD) ●
L2N7002KLT1G	60	20	0.32	1	2.5	9.9	39.4	1800	10/0.5	SOT-23	N-Channel(with ESD) ●
L2N7002M3T5G	60	20	0.115	1	2.2	20	40	4000	10/0.5	SOT-723	N-Channel
L2N7002EM3T5G	60	20	0.115	1	2.5	20	30	7500	10/0.5	SOT-723	N-Channel(with ESD)
L2N7002WT1G	60	20	0.115	1	2.5	7	11	7500	10/0.5	SC-70	N-Channel(with ESD) ●
L2N7002KWT1G	60	20	0.32	1.2	2	9.9	39.4	1800	10/0.5	SC-70	N-Channel(with ESD) ●



1 Gate
3 Drain
2 Source
P-Channel




1 Gate
3 Drain
2 Source
N-Channel



1 Gate
3 Drain
2 Source
P-Channel(with ESD)

* ESD Protect



1 Gate
3 Drain
2 Source
N-Channel(with ESD)

* ESD Protect



2. 6 Pin Surface Mount MOS FETs

Device	V _{DSS} (V)	V _{DS} (V)	I _D (A)	V _{GS(th)}		t _{d(on)} (ns)	t _{d(off)} (ns)	R _{DS(on)}		Package	Polarity ●available for automotive applications
				Min (V)	Max (V)			Max (mΩ)	@V _{GS} /I _{DS} (V)/(A)		
LBSS260DW1T1G	60	20	0.2	0.5	1	3.8	19	2000	4.5/0.1	SC-88	N-Channel(with ESD)
L2N7002FDW1T1G	30	20	0.22	0.8	1.5	10.1	31.3	13000	2.5/0.001	SC-88	N-Channel(with ESD) ●
LBSS138V3.3T1G	50	20	0.2	0.5	1.5	20	20	3500	5/0.2	SC-74	MOSFET+ZENER ●
L2N7002SDW1T1G	60	20	0.32	1	2	2.7	13	2800	10/0.5	SC88	N-Channel(with ESD)
LBSS8402DW1T1G	50	20	0.13	0.5	1.5	5	7	3500	5/0.2	SC-88	N-Channel/P-Channel ●
LBSS84DW1T1G	50	20	0.13	0.8	2	13	16	10000	5/0.1	SC-88	P-Channel ●
LBSS138DW1T1G	50	20	0.2	0.5	1.5	5	7	3500	5/0.2	SC-88	N-Channel ●
LBSS139DW1T1G	50	20	0.2	0.5	1.5	3.8	19	3500	5/0.2	SC-88	N-Channel(with ESD) ●
L2N7002DW1T1G	60	20	0.115	1	2	20	40	7500	10/0.5	SC-88	Dual-N-Channel(with ESD) ●
L2N7002DMT1G	60	20	0.115	1	2	20	40	7500	10/0.5	SC-74	Dual-N-Channel(with ESD) ●
L2N7002KDW1T1G	60	20	0.32	1	2.5	9.9	39.4	2300	10/0.5	SC-88	Dual-N-Channel(with ESD) ●

L2N7002FDW1T1G L2N7002DW1T1G L2N7002KDW1T1G L2N7002SDW1T1G	LMNP0720DW1T1G	L2N7002DMT1G	LBSS138DW1T1G	LDN8205T1G LDN2367T1G	LBSS8402DW1T1G LBSS84DW1T1G LNP2601T1G LNP3604T1G

3. 8 Pin Surface Mount MOS FETS

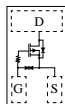
Device	V _{DSS} (V)	V _{DS} (V)	I _D (A)	V _{GS(th)}		t _{d(on)} (ns)	t _{d(off)} (ns)	R _{DS(on)}		Package	Polarity
				Min (V)	Max (V)			Max (mΩ)	@V _{GS} /I _{DS} (V)/(A)		
LN4264T1G	60	20	15	1	3	11	111	10.5	4.5/8	SOP-8	N-Channel
LN4266T1G	60	20	13	1	3	6	53	26	4.5/7	SOP-8	N-Channel
LN4290T1G	100	20	11.3	1	3	19.5	41	12	10/11.5	SOP-8	N-Channel
LP4098T1G	30	20	5.3	1	2.5	7.5	19	50	10/3.1	SOP-8	Dual P-MOS
LP4437T1G	30	20	14	1	3	7	91	16	4.5/5.7	SOP-8	P-Channel
LP4435T1G	30	20	9.5	1	3	6	55	37	4.5/6	SOP-8	P-Channel
LP4404T1G	30	20	16	1	3	7	29	16	4.5/10	SOP-8	N-Channel
LNP4338T1G	30	20	8	1	3	6	29	22	4.5/6	SOP-8	Complementary N-Channel
	30	20	7	1	3	6	55	37	4.5/6		Complementary P-Channel

4. DFN MOS FET

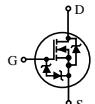
Device	V _{DSS} (V)	V _{DS} (V)	I _D (A)	V _{GS(th)}		t _{d(on)} (ns)	t _{d(off)} (ns)	R _{DS(on)}		Package	Polarity ●available for automotive applications
				Min (V)	Max (V)			Max (mΩ)	@V _{GS} /I _{DS} (V)/(A)		
LN235N3T5G	30	12	0.93	0.5	1.5	6.5	14	198	4.5/0.2	SOT-883	N-Channel(with ESD)
LN237N3T5G	30	12	1.5	0.5	1.5	7	15	180	4.5/0.2	SOT-883	N-Channel(with ESD)
LP0404N3T5G	20	8	1.4	0.5	1.2	9	21	480	4.5/0.1	SOT-883	P-Channel(with ESD)
LN8330DT1AG	30	20	16	1	2	2	16	26	10/11	DFN3x3-8	N-Channel

4. DFN MOSFET

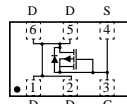
Device	V _{DSS} (V)	V _{DS} (V)	I _D (A)	V _{GS(th)}		t _{d(on)} (ns)	t _{d(off)} (ns)	R _{DS(on)}		Package	Polarity ●available for automotive applications
				Min (V)	Max (V)			Max (mΩ)	@V _{GS} /I _{DS} (V)/(A)		
LN8340DT1AG	30	20	17	1	2	6	28	9.5	10/13.3	DFN3030-8	N-Channel
LN8342DT1AG	30	20	40	1		13	75	4.4	10/20	DFN3030-8	N-Channel
LN8544DT1AG	30	20	22	1	3	23	73	4.6	10/20	DFN3030-8	N-Channel
LN8390DT1AG	100	20	5	1	3	13.3	27.5	108	10/5	DFN3030-8	N-Channel
LP8314DT1AG	30	20	12	1	3	6	55	24	10/7.3	DFN3030-8	P-Channel
LP8337DT1AG	30	20	18	1	3	14	124	8	10/13	DFN3030-8	P-Channel
LP8217DT1AG	20	8	9	0.4	1	6	85	26	4.5/7.2	DFN3030-8	P-Channel
LN2320EDT2AG	20	8	8	0.4	1	250	3950	21	4.5/6.5	DFN2020-6	N-Channel(with ESD)
LN2324DT2AG	20	8	14	1		6	29	10.5	10/11	DFN2020-6	N-Channel
LN3424DT2AG	30	20	14	1	3	6	29	10.5	10/10	DFN2020-6	N-Channel
LN2290DT2AG	100	20	5	2.5	4	4	15	150	10/5	DFN2020-6	N-Channel
LN2406DT1G	30	12	7	0.7	1.4	7	38	38	10/5.8	DFN2020-6D	N-Channel
LN2506DT1G	30	12	5.8	0.7	1.4	7	38	38	10/5.8	DFN2020-6D	Dual-N
LDN3370DT2AG	30	20	7	1	2	2	16	48	4.5/5	DFN2020-6D	Dual-N
LP3218DT1G	12	8	8.2	0.4	1	8.6	150	18	4.5/7	DFN2020-6	P-Channel(with ESD)
LP3418DT2AG	30	20	9.4	1	3	6	55	24	10/7.2	DFN2020-6	P-Channel
LP2317DT2AG	20	8	9	0.4	1	6	85	26	4.5/7.2	DFN2020-6	P-Channel
LP2501DT1G	20	8	4	0.4	1	50	40	90	4.5/2.8	DFN2020-6	P-Channel
LP2707DT2AG	20	12	7	0.6	1.4	22	45	70	4.5/4.7	DFN2020-6	P-Channel
LDP2010DT1G	20	12	4.7	0.6	1.4	22	45	70	4.5/4.7	DFN2020-6D	Dual-P
LDP2011DT1G	20	8	2	0.4	1	50	40	110	4.5/2	DFN2020-6D	Dual-P
LNP2010DT2AG	20	12	5.2	0.5	1.2	8	24	40	4.5/4.2	DFN2020-6D	Complementary N-Channel
	20	12	4.7	0.6	1.2	22	45	70	4.5/3	DFN2020-6D	Complementary P-Channel
LNP2011DT2AG	20	8	2.3	0.6	1.2	6.16	16.61	60	4.5/2.8	DFN2020-6D	Complementary N-Channel
	20	8	2.3	0.4	0.9	17.28	36.05	100	4.5/2.8	DFN2020-6D	Complementary P-Channel
LNP3011DT2AG	30	12	5	0.7	1.4	7	38	38	10/5.8	DFN2020-6D	Complementary N-Channel
	30	12	4	0.7	1.3	6.3	38.2	120	2.5/1.0	DFN2020-6D	Complementary P-Channel
LN7266DT1AG	60	20	26	1	3	6	53	26	4.5/7	DFN5060	N-Channel
LN7466DT1AG	60	20	40	1	3	11	110	9	4.5/12	DFN5060	N-Channel
LN7340DT1AG	30	20	36	1	2	6	28	9.5	10/18	DFN5060	N-Channel
LN7342DT1AG	30	20	60	1		13	75	4.4	10/28	DFN5060	N-Channel
LN7350DT1AG	30	20	50	1	2	6	28	6	10/18	DFN5060	N-Channel
L2N7002KN3T5G	60	20	0.32	1	2.5	9.9	39.4	1800	10/0.5	SOT-883	N-Channel(with ESD)●
LSII012N3T5G	20	6	0.5	0.45	0.9	5	25	700	4.5/0.6	SOT-883	N-Channel(with ESD)●
LMN2500N3T5G	20	6	1	0.5	1.2	5.1	26.7	400	4.5/0.6	SOT-883	N-Channel(with ESD)
LMP21D5N3T5G	20	8	0.7	0.3	1	8.5	20.2	1100	4.5/0.1	SOT-883	P-Channel(with ESD)



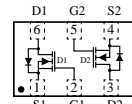
LP0404N3T5G



LN235N3T5G



LP2501DT1G



LN2506DT1G



COMPOSITE COMPONENTS

1. Composite Components

Device	Device Marking	I _C (A)	V _{CEO} (V)	h _{FE}		Transistor Polarity	V _{DSS} (V)	I _D (A)	R _{DS(on)} /(mΩ)		MOSFET Polarity	Package
				Min/Max	I _C /V _{CE} (A)/(Volts)				Max (mΩ)	@ V _{GS} /I _{DS} (V)/(A)		
LRC6N32YT1G	2Y	2	30	100/300	0.5/2	PNP	60	0.32	2300	10/0.5	N-Channel(with ESD)	DFN2020
LRC6N33YT1G	2N	1.5	25	60/135	0.5/2	PNP	50	0.2	3500	5/0.2	N-Channel(with ESD)	DFN2020

LRC6N32YT1G	LRC6N33YT1G

BRIDGE RECTIFIERS

1. 0.5-0.8A General Purpose Bridge Rectifiers

1.1 0.5-0.8A B1S-B10SS Series General Purpose Bridge Rectifiers

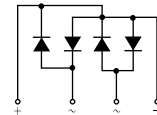
Device	Maximum Peak Reverse Voltage	Maximum Average Forward Output Current	Maximum Forward Peak Surge Current @ 8.3ms Superimposed	Maximum DC Forward Voltage drop per element	Maximum DC Reverse Current at rated DC Blocking Voltage per element		Operating Junction Temperature
	PRV	I_O	I_{FM} (Surge)	V_F	I_R		
	V	A	A	V	$25^{\circ}C T_A$ μADC	$125^{\circ}C T_A$ μADC	T_j $^{\circ}C$
B1S	100	0.5	30	1.1	5	250	150
B2S	200						
B4S	400						
B6S	600						
B8S	800						
B10S	1000						
B10SS	1000	0.8	40	1.1	5	250	150

MAXIMUM RATINGS AND ELECTRICAL CHARACTERISTICS

Ratings at 25°C ambient temperature unless otherwise specified. Single phase, half wave, 60Hz, resistive or inductive load. For capacitive load, derate current by 20%.



Mini DB



1.2 0.5-0.8A TB1S-TB10SS Series General Purpose Bridge Rectifiers

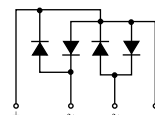
Device	Maximum Peak Reverse Voltage	Maximum Average Forward Output Current	Maximum Forward Peak Surge Current @ 8.3ms Superimposed	Maximum DC Forward Voltage drop per element	Maximum DC Reverse Current at rated DC Blocking Voltage per element		Operating Junction Temperature
	PRV	I_O	I_{FM} (Surge)	V_F	I_R		
	V	A	A	V	$25^{\circ}C T_A$ μADC	$125^{\circ}C T_A$ μADC	T_j $^{\circ}C$
TB1S	100	0.5	30	1.1	5	250	150
TB2S	200						
TB4S	400						
TB6S	600						
TB8S	800						
TB10S	1000						
TB10SS	1000	0.8	40	1.1	5	250	150

MAXIMUM RATINGS AND ELECTRICAL CHARACTERISTICS

Ratings at 25°C ambient temperature unless otherwise specified. Single phase, half wave, 60Hz, resistive or inductive load. For capacitive load, derate current by 20%.



TBS





2. ABS201-ABS210 Series General Purpose Bridge Rectifiers

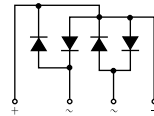
Device	Maximum Peak Reverse Voltage	Maximum Average Forward Output Current	Maximum Forward Peak Surge Current @ 8.3ms Superimposed	Maximum DC Forward Voltage drop per element	Maximum DC Reverse Current at rated DC Blocking Voltage per element		Operating Junction Temperature
	PRV	I_o	I_{FM} (Surge)	V_F	I_R		T_j
	V	A	A	V	$25^{\circ}C T_A$ μADC	$125^{\circ}C T_A$ μADC	$^{\circ}C$
ABS201	100	2.0	50	1.1	5.0	100	150
ABS202	200						
ABS204	400						
ABS206	600						
ABS208	800						
ABS210	1000						

MAXIMUM RATINGS AND ELECTRICAL CHARACTERISTICS

Ratings at 25 °C ambient temperature unless otherwise specified. Single phase, half wave, 60Hz, resistive or inductive load. For capacitive load, derate current by 20%.



ABS



3. 1.5-3.0A STSB Series Surface Mount Single Phase Bridge Rectifiers

3.1 1.5-3.0A STSB Series Surface Mount Single Phase Bridge Rectifiers

Device	Maximum Peak Reverse Voltage	Maximum Average Forward Output Current	Maximum Forward Peak Surge Current @ 8.3ms Superimposed	Maximum DC Forward Voltage @ TA = +25°C	Maximum DC Reverse Current at rated DC Blocking Voltage per element at VR = 1000V		Operating Junction Temperature
	PRV	Io	IFM (Surge)	VF	IR		Tj
	V	A	A	V	25°C TA μADC	125°C TA μADC	°C
STSB152	100	1.5	60	1.05	5	500	150
STSB153	200	1.5	60	1.05	5	500	150
STSB154	400	1.5	60	1.05	5	500	150
STSB155	600	1.5	60	1.05	5	500	150
STSB156	800	1.5	60	1.05	5	500	150
STSB157	1000	1.5	60	1.05	5	500	150
STSB202	100	2	75	1.05	5	500	150
STSB203	200	2	75	1.05	5	500	150
STSB204	400	2	75	1.05	5	500	150
STSB205	600	2	75	1.05	5	500	150
STSB206	800	2	75	1.05	5	500	150
STSB207	1000	2	75	1.05	5	500	150
STSB252	100	2.5	90	1.05	5	500	150
STSB253	200	2.5	90	1.05	5	500	150
STSB254	400	2.5	90	1.05	5	500	150
STSB255	600	2.5	90	1.05	5	500	150
STSB256	800	2.5	90	1.05	5	500	150
STSB257	1000	2.5	90	1.05	5	500	150
STSB302	100	3	120	1.05	5	500	150
STSB303	200	3	120	1.05	5	500	150
STSB304	400	3	120	1.05	5	500	150
STSB305	600	3	120	1.05	5	500	150
STSB306	800	3	120	1.05	5	500	150
STSB307	1000	3	120	1.05	5	500	150
STSB152L	100	1.5	60	0.92	5	500	150
STSB153L	200	1.5	60	0.92	5	500	150
STSB154L	400	1.5	60	0.92	5	500	150
STSB155L	600	1.5	60	0.92	5	500	150
STSB156L	800	1.5	60	0.92	5	500	150
STSB202L	100	2	90	0.92	5	500	150
STSB203L	200	2	90	0.92	5	500	150
STSB204L	400	2	90	0.92	5	500	150
STSB205L	600	2	90	0.92	5	500	150

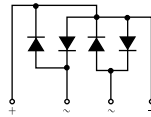


3.1.1 1.5-3.0A STSB Series Surface Mount Single Phase Bridge Rectifiers

Device	Maximum Peak Reverse Voltage	Maximum Average Forward Output Current	Maximum Forward Peak Surge Current @ 8.3ms Superimposed	Maximum DC Forward Voltage @ TA = +25°C	Maximum DC Reverse Current at rated DC Blocking Voltage per element at VR = 1000V		Operating Junction Temperature
	PRV	I _o	I _{FM} (Surge)	V _F	I _R		T _J
	V	A	A	V	25°C T _A μADC	125°C T _A μADC	°C
STSB206L	800	2	90	0.92	5	500	150
STSB252L	100	2.5	100	0.92	5	500	150
STSB253L	200	2.5	100	0.92	5	500	150
STSB254L	400	2.5	100	0.92	5	500	150
STSB255L	600	2.5	100	0.92	5	500	150
STSB256L	800	2.5	100	0.92	5	500	150
STSB302L	100	3	140	0.92	5	500	150
STSB303L	200	3	140	0.92	5	500	150
STSB304L	400	3	140	0.92	5	500	150
STSB305L	600	3	140	0.92	5	500	150
STSB306L	800	3	140	0.92	5	500	150



STSB

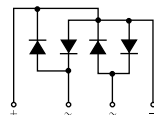


3.2 1.5-3.0A STSBF Series Surface Mount Single Phase Fast Bridge Rectifiers

Device	Maximum Peak Reverse Voltage	Maximum Average Forward Output Current	Maximum Forward Peak Surge Current @ 8.3ms Superimposed	Maximum DC Forward Voltage @TA = +25°C	Maximum DC Reverse Current at rated DC Blocking Voltage per element at VR = 1000V		Max reverse recovery time	Operating Junction Temperature
	PRV	IO	IFM (Surge)	VF	IR		T _{RR}	T _J
	V	A	A	V	25°C T _A μADC	125°C T _A μADC	25°C T _A (nS)	°C
STSBF152	100	1.5	60	1.05	5	500	250	150
STSBF153	200	1.5	60	1.05	5	500	250	150
STSBF154	400	1.5	60	1.05	5	500	250	150
STSBF155	600	1.5	60	1.05	5	500	250	150
STSBF156	800	1.5	60	1.05	5	500	250	150
STSBF157	1000	1.5	60	1.05	5	500	250	150
STSBF202	100	2	75	1.05	5	500	250	150
STSBF203	200	2	75	1.05	5	500	250	150
STSBF204	400	2	75	1.05	5	500	250	150
STSBF205	600	2	75	1.05	5	500	250	150
STSBF206	800	2	75	1.05	5	500	250	150
STSBF207	1000	2	75	1.05	5	500	250	150
STSBF252	100	2.5	90	1.05	5	500	250	150
STSBF253	200	2.5	90	1.05	5	500	250	150
STSBF254	400	2.5	90	1.05	5	500	250	150
STSBF255	600	2.5	90	1.05	5	500	250	150
STSBF256	800	2.5	90	1.05	5	500	250	150
STSBF257	1000	2.5	90	1.05	5	500	250	150
STSBF302	100	3	120	1.05	5	500	250	150
STSBF303	200	3	120	1.05	5	500	250	150
STSBF304	400	3	120	1.05	5	500	250	150
STSBF305	600	3	120	1.05	5	500	250	150
STSBF306	800	3	120	1.05	5	500	250	150
STSBF307	1000	3	120	1.05	5	500	250	150
STSBF302T	100	3	120	1.05	5	500	160	150
STSBF303T	200	3	120	1.05	5	500	160	150
STSBF304T	400	3	120	1.05	5	500	160	150
STSBF305T	600	3	120	1.05	5	500	160	150
STSBF306T	800	3	120	1.05	5	500	160	150
STSBF307T	1000	3	120	1.05	5	500	160	150



STSB



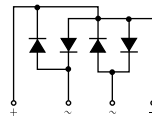


4. 3.0-6.0A TSB Series Surface Mount Single Phase Bridge Rectifiers

Device	Maximum Peak Reverse Voltage	Maximum Average Forward Output Current	Maximum Forward Peak Surge Current @ 8.3ms Superimposed	Maximum DC Forward Voltage @ TA = +25°C	Maximum DC Reverse Current at rated DC Blocking Voltage per element at VR = 1000V		Operating Junction Temperature
	PRV	Io	IFM (Surge)	VF	IR		Tj
	V	A	A	V	25°C TA μADC	125°C TA μADC	°C
TSB302	100	3	120	1.05	5	500	150
TSB303	200	3	120	1.05	5	500	150
TSB304	400	3	120	1.05	5	500	150
TSB305	600	3	120	1.05	5	500	150
TSB306	800	3	120	1.05	5	500	150
TSB307	1000	3	120	1.05	5	500	150
TSB402	100	4	150	1.05	5	500	150
TSB403	200	4	150	1.05	5	500	150
TSB404	400	4	150	1.05	5	500	150
TSB405	600	4	150	1.05	5	500	150
TSB406	800	4	150	1.05	5	500	150
TSB407	1000	4	150	1.05	5	500	150
TSB602	100	6	200	1.05	5	500	150
TSB603	200	6	200	1.05	5	500	150
TSB604	400	6	200	1.05	5	500	150
TSB605	600	6	200	1.05	5	500	150
TSB606	800	6	200	1.05	5	500	150
TSB607	1000	6	200	1.05	5	500	150



TSB



5. 1.0-2.0A DB/DBS Series Dual-in-line Package General Purpose Bridge Rectifiers

5.1 1.0A DB/DBS Series Dual-in-line Package General Purpose Bridge Rectifiers

Device	Maximum Peak Reverse Voltage	Maximum Average Forward Output Current	Maximum Forward Peak Surge Current @ 8.3ms Superimposed	Maximum DC Forward Voltage drop per element	Maximum DC Reverse Current at rated DC Blocking Voltage per element		Operating Junction Temperature
	PRV	I_o	I_{FM} (Surge)	V_F	I_R		T_J
	V	A	A	V	$25^{\circ}C T_A$ μADC	$125^{\circ}C T_A$ μADC	$^{\circ}C$
DIP BRIDGE RECTIFIERS (DB)							
DB102	100	1.0	50	1.1	5	500	150
DB103	200						
DB104	400						
DB105	600						
DB106	800						
DB107	1000						
SMD BRIDGE RECTIFIERS (DBS)							
DB102S	100	1.0	50	1.1	5	500	150
DB103S	200						
DB104S	400						
DB105S	600						
DB106S	800						
DB107S	1000						

MAXIMUM RATINGS AND ELECTRICAL CHARACTERISTICS

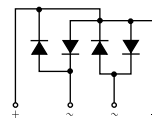
Ratings at 25 °C ambient temperature unless otherwise specified. Single phase, half wave, 60Hz, resistive or inductive load. For capacitive load, derate current by 20%.



DB



DBS





5.2 1.5-2.0A DB/DBS Series Dual-in-line Package General Purpose Bridge Rectifiers

Device	Maximum Peak Reverse Voltage	Maximum Average Forward Output Current	Maximum Forward Peak Surge Current @ 8.3ms Superimposed	Maximum DC Forward Voltage drop per element	Maximum DC Reverse Current at rated DC Blocking Voltage per element		Operating Junction Temperature
	PRV	I_O	I_{FM} (Surge)	V_F	I_R		T_J
	V	A	A	V	$25^{\circ}C T_A$ μADC	$125^{\circ}C T_A$ μADC	$^{\circ}C$
DIP BRIDGE RECTIFIERS (DB)							
DB152	100	1.5	60	1.1	5	500	150
DB153	200						
DB154	400						
DB155	600						
DB156	800						
DB157	1000						
SMD BRIDGE RECTIFIERS (DBS)							
DB152S	100	1.5	60	1.1	5	500	150
DB153S	200						
DB154S	400						
DB155S	600						
DB156S	800						
DB157S	1000						
DIP BRIDGE RECTIFIERS (DB)							
DB202	100	2.0	75	1.1	5	500	150
DB203	200						
DB204	400						
DB205	600						
DB206	800						
DB207	1000						
SMD BRIDGE RECTIFIERS (DBS)							
DB202S	100	2.0	75	1.1	5	500	150
DB203S	200						
DB204S	400						
DB205S	600						
DB206S	800						
DB207S	1000						

MAXIMUM RATINGS AND ELECTRICAL CHARACTERISTICS

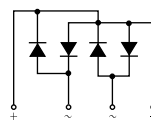
Ratings at 25 °C ambient temperature unless otherwise specified. Single phase, half wave, 60Hz, resistive or inductive load. For capacitive load, derate current by 20%.



DB



DBS

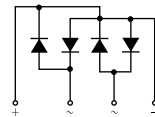
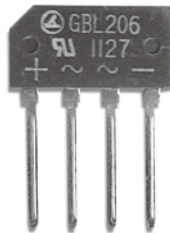


6. 2.0-4.0A GBL Series SIP Bridge Rectifiers

Device	Maximum Peak Reverse Voltage	Maximum Average Forward Output Current	Maximum Forward Peak Surge Current @ 8.3ms Superimposed	Maximum DC Forward Voltage drop per element	Maximum DC Reverse Current at rated DC Blocking Voltage per element		Operating Junction Temperature
	PRV	I_O	I_{FM} (Surge)	V_F	I_R		T_J
	V	A	A	V	$25^{\circ}C_{T_A}$ μADC	$125^{\circ}C_{T_A}$ μADC	$^{\circ}C$
GBL201	100	2.0	80	1.1	5	500	150
GBL202	200						
GBL204	400						
GBL206	600						
GBL208	800						
GBL210	1000						
GBL401	100	4.0	150	1.1	5	500	150
GBL402	200						
GBL404	400						
GBL406	600						
GBL408	800						
GBL410	1000						

MAXIMUM RATINGS AND ELECTRICAL CHARACTERISTICS

Ratings at 25 °C ambient temperature unless otherwise specified. Single phase, half wave, 60Hz, resistive or inductive load. For capacitive load, derate current by 20%.



GBL

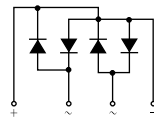
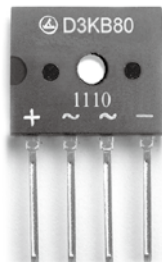


7. 2.0-4.0A DKB/KBP Series SIP Bridge Rectifiers

Device	Maximum Peak Reverse Voltage	Maximum Average Forward Output Current	Maximum Forward Peak Surge Current @ 8.3ms Superimposed	Maximum DC Forward Voltage drop per element	Maximum DC Reverse Current at rated DC Blocking Voltage per element		Operating Junction Temperature
	PRV	I_O	$I_{FM}(\text{Surge})$	V_F	I_R		T_J
	V	A	A	V	25°C_{T_A} μADC	$125^{\circ}\text{C}_{T_A}$ μADC	$^{\circ}\text{C}$
D2KB10 D2KB20 D2KB40 D2KB60 D2KB80 D2KB100	100 200 400 600 800 1000	2.0	75	1.1	5	500	150
D3KB10 D3KB20 D3KB40 D3KB60 D3KB80 D3KB100	100 200 400 600 800 1000	3.0	90	1.1	5	500	150
D4KB10 D4KB20 D4KB40 D4KB60 D4KB80 D4KB100	100 200 400 600 800 1000	4.0	135	1.1	5	500	150

MAXIMUM RATINGS AND ELECTRICAL CHARACTERISTICS

Ratings at 25 °C ambient temperature unless otherwise specified. Single phase, half wave, 60Hz, resistive or inductive load. For capacitive load, derate current by 20%.



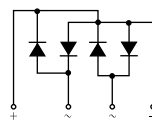
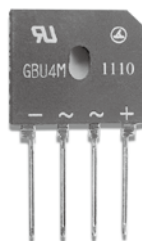
DKB/KBP

8. 4.0-25A GBU Series Single-in-line Package Bridge Rectifiers

Device	Maximum Peak Reverse Voltage	Maximum Average Forward Output Current	Maximum Forward Peak Surge Current @ 8.3ms Superimposed	Maximum DC Forward Voltage drop per element	Maximum DC Reverse Current at rated DC Blocking Voltage per element		Operating Junction Temperature
	PRV	I_O	I_{FM} (Surge)	V_F	I_R		T_J
	V	A	A	V	$25^{\circ}C T_A$ μADC	$125^{\circ}C T_A$ μADC	$^{\circ}C$
GBU4B GBU4D GBU4G GBU4J GBU4K GBU4M	100 200 400 600 800 1000	4.0	150	1.1	5	500	150
GBU6B GBU6D GBU6G GBU6J GBU6K GBU6M	100 200 400 600 800 1000	6.0	175	1.1	5	500	150
GBU8B GBU8D GBU8G GBU8J GBU8K GBU8M	100 200 400 600 800 1000	8.0	175	1.1	5	500	150
GBU10B GBU10D GBU10G GBU10J GBU10K GBU10M	100 200 400 600 800 1000	10.0	200	1.1	5	500	150

MAXIMUM RATINGS AND ELECTRICAL CHARACTERISTICS

Ratings at 25 °C ambient temperature unless otherwise specified. Single phase, half wave, 60Hz, resistive or inductive load. For capacitive load, derate current by 20%.



GBU

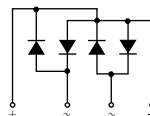
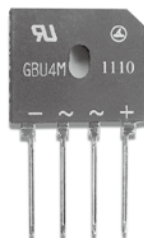


8.1 4.0-25A GBU Series Single-in-line Package Bridge Rectifiers

Device	Maximum Peak Reverse Voltage	Maximum Average Forward Output Current	Maximum Forward Peak Surge Current @ 8.3ms Superimposed	Maximum DC Forward Voltage drop per element	Maximum DC Reverse Current at rated DC Blocking Voltage per element		Operating Junction Temperature
	PRV	I_o	I_{FM} (Surge)	V_F	I_R		T_J
	V	A	A	V	$25^{\circ}C_{T_A}$ μADC	$125^{\circ}C_{T_A}$ μADC	$^{\circ}C$
GBU15B GBU15D GBU15G GBU15J GBU15K GBU15M	100 200 400 600 800 1000	15	250	1.1	5	500	150
GBU20B GBU20D GBU20G GBU20J GBU20K GBU20M	100 200 400 600 800 1000	20	300	1.1	5	500	150
GBU25B GBU25D GBU25G GBU25J GBU25K GBU25M	100 200 400 600 800 1000	25	350	1.1	5	500	150

MAXIMUM RATINGS AND ELECTRICAL CHARACTERISTICS

Ratings at 25 °C ambient temperature unless otherwise specified. Single phase, half wave, 60Hz, resistive or inductive load. For capacitive load, derate current by 20%.



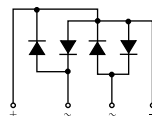
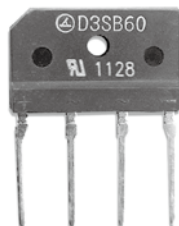
GBU

9. 4.0-10A D3/D4/KBJ Series Single-in-line Package Bridge Rectifiers

Device	Maximum Peak Reverse Voltage	Maximum Average Forward Output Current	Maximum Forward Peak Surge Current @ 8.3ms Superimposed	Maximum DC Forward Voltage drop per element	Maximum DC Reverse Current at rated DC Blocking Voltage per element		Operating Junction Temperature
	PRV	I_o	I_{FM} (Surge)	V_F	I_r		T_j
	V	A	A	V	$25^{\circ}C_{T_A}$ μADC	$125^{\circ}C_{T_A}$ μADC	$^{\circ}C$
D3SB10 D3SB20 D3SB40 D3SB60 D3SB80 D3SB100	100 200 400 600 800 1000	4.0	150	1.1	5	500	150
D4SB10 D4SB20 D4SB40 D4SB60 D4SB80 D4SB100	100 200 400 600 800 1000	6.0	175	1.1	5	500	150
KBJ8B KBJ8D KBJ8G KBJ8J KBJ8K KBJ8M	100 200 400 600 800 1000	8.0	175	1.1	5	500	150
KBJ10B KBJ10D KBJ10G KBJ10J KBJ10K KBJ10M	100 200 400 600 800 1000	10.0	200	1.1	5	500	150

MAXIMUM RATINGS AND ELECTRICAL CHARACTERISTICS

Ratings at 25 °C ambient temperature unless otherwise specified. Single phase, half wave, 60Hz, resistive or inductive load. For capacitive load, derate current by 20%.



D3

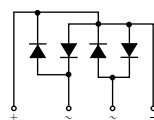
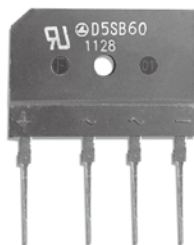


10. 6.0-35A D5-35SB Series Single-in-line Package Bridge Rectifiers

Device	Maximum Peak Reverse Voltage	Maximum Average Forward Output Current	Maximum Forward Peak Surge Current @ 8.3ms Superimposed	Maximum DC Forward Voltage drop per element	Maximum DC Reverse Current at rated DC Blocking Voltage per element		Operating Junction Temperature
	PRV	I_o	I_{FM} (Surge)	V_F	I_R		T_j
	V	A	A	V	$25^{\circ}C_{T_A}$ μADC	$125^{\circ}C_{T_A}$ μADC	$^{\circ}C$
D5SB10 D5SB20 D5SB40 D5SB60 D5SB80 D5SB100	100 200 400 600 800 1000	6.0	175	1.1	5	500	150
D8SB10 D8SB20 D8SB40 D8SB60 D8SB80 D8SB100	100 200 400 600 800 1000	8.0	175	1.1	5	500	150
D10SB10 D10SB20 D10SB40 D10SB60 D10SB80 D10SB100	100 200 400 600 800 1000	10	200	1.1	5	500	150
D15SB10 D15SB20 D15SB40 D15SB60 D15SB80 D15SB100	100 200 400 600 800 1000	15	250	1.1	5	500	150
D20SB10 D20SB20 D20SB40 D20SB60 D20SB80 D20SB100	100 200 400 600 800 1000	20	300	1.1	5	500	150

MAXIMUM RATINGS AND ELECTRICAL CHARACTERISTICS

Ratings at 25 °C ambient temperature unless otherwise specified. Single phase, half wave, 60Hz, resistive or inductive load. For capacitive load, derate current by 20%.



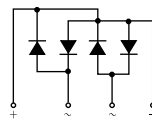
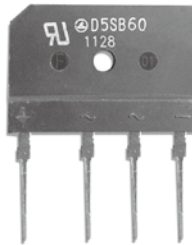
D5

10.1 6.0-35A D5-35SB Series Single-in-line Package Bridge Rectifiers

Device	Maximum Peak Reverse Voltage	Maximum Average Forward Output Current	Maximum Forward Peak Surge Current @ 8.3ms Superimposed	Maximum DC Forward Voltage drop per element	Maximum DC Reverse Current at rated DC Blocking Voltage per element		Operating Junction Temperature
	PRV	I_o	I_{FM} (Surge)	V_F	I_R		T_J
	V	A	A	V	$25^{\circ}C T_A$ μADC	$125^{\circ}C T_A$ μADC	$^{\circ}C$
D25SB10 D25SB20 D25SB40 D25SB60 D25SB80 D25SB100	100 200 400 600 800 1000	25	350	1.1	5	500	150
D35SB10 D35SB20 D35SB40 D35SB60 D35SB80 D35SB100	100 200 400 600 800 1000	35	400	1.1	5	500	150
D50SB10 D50SB20 D50SB40 D50SB60 D50SB80 D50SB100	100 200 400 600 800 1000	50	450	1.1	5	500	150

MAXIMUM RATINGS AND ELECTRICAL CHARACTERISTICS

Ratings at 25 °C ambient temperature unless otherwise specified. Single phase, half wave, 60Hz, resistive or inductive load. For capacitive load, derate current by 20%.



D5

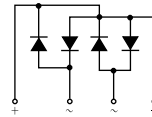


11. 15A S15 Series Square Bridge Rectifiers

Device	Maximum Peak Reverse Voltage	Maximum Average Forward Output Current	Maximum Forward Peak Surge Current @ 8.3ms Superimposed	Maximum DC Forward Voltage drop per element	Maximum DC Reverse Current at rated DC Blocking Voltage per element		Operating Junction Temperature
	PRV	I_o	$I_{FM}(\text{Surge})$	V_F	I_R		T_j
	V	A	A	V	25°C_{T_A} μADC	$125^{\circ}\text{C}_{T_A}$ μADC	$^{\circ}\text{C}$
S15VB10	100	15	250	1.1	5	500	150
S15VB20	200						
S15VB40	400						
S15VB60	600						
S15VB80	800						
S15VB100	1000						

MAXIMUM RATINGS AND ELECTRICAL CHARACTERISTICS

Ratings at 25 °C ambient temperature unless otherwise specified. Single phase, half wave, 60Hz, resistive or inductive load. For capacitive load, derate current by 20%.



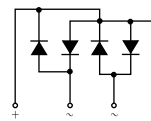
S15

12. 25-50A S25-MP50 Series Square Bridge Rectifiers

Device	Maximum Peak Reverse Voltage	Maximum Average Forward Output Current	Maximum Forward Peak Surge Current @ 8.3ms Superimposed	Maximum DC Forward Voltage drop per element	Maximum DC Reverse Current at rated DC Blocking Voltage per element		Operating Junction Temperature
	PRV	I_O	I_{FM} (Surge)	V_F	I_R		T_J
	V	A	A	V	$25^{\circ}C T_A$ μADC	$125^{\circ}C T_A$ μADC	$^{\circ}C$
S25VB10	100	25	350	1.1	5	500	150
S25VB20	200						
S25VB40	400						
S25VB60	600						
S25VB80	800						
S25VB100	1000						
MP351	100	35	400	1.1	5	500	150
MP352	200						
MP354	400						
MP356	600						
MP358	800						
MP3510	1000						
MP501	100	50	450	1.1	5	500	150
MP502	200						
MP504	400						
MP506	600						
MP508	800						
MP5010	1000						

MAXIMUM RATINGS AND ELECTRICAL CHARACTERISTICS

Ratings at 25 °C ambient temperature unless otherwise specified. Single phase, half wave, 60Hz, resistive or inductive load. For capacitive load, derate current by 20%.



S25 ~ MP50

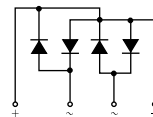


13. 15-35A S15W~MP35W Series Square Bridge Rectifiers

Device	Maximum Peak Reverse Voltage	Maximum Average Forward Output Current	Maximum Forward Peak Surge Current @ 8.3ms Superimposed	Maximum DC Forward Voltage drop per leg	Maximum DC Reverse Current at rated DC Blocking Voltage per leg		Operating Junction Temperature
	PRV	I_O	I_{FM} (Surge)	V_F	I_R		T_J
	V	A	A	V	$25^{\circ}CT_A$ μADC	$125^{\circ}CT_A$ μADC	$^{\circ}C$
S15VB10W S15VB20W S15VB40W S15VB60W S15VB80W S15VB100W	100 200 400 600 800 1000	15	250	1.1	5	500	150
S25VB10W S25VB20W S25VB40W S25VB60W S25VB80W S25VB100W	100 200 400 600 800 1000	25	350	1.1	5	500	150
MP351W MP352W MP354W MP356W MP358W MP3510W	100 200 400 600 800 1000	35	400	1.1	5	500	150

MAXIMUM RATINGS AND ELECTRICAL CHARACTERISTICS

Ratings at 25 °C ambient temperature unless otherwise specified. Single phase, half wave, 60Hz, resistive or inductive load. For capacitive load, derate current by 20%.



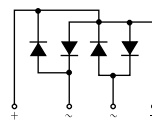
S15W~MP35W

14. 15-50A S15M~MP50M Series Square Bridge Rectifiers

Device	Maximum Peak Reverse Voltage	Maximum Average Forward Output Current	Maximum Forward Peak Surge Current @ 8.3ms Superimposed	Maximum DC Forward Voltage drop per leg	Maximum DC Reverse Current at rated DC Blocking Voltage per leg		Operating Junction Temperature
	PRV	I_o	I_{FM} (Surge)	V_F	I_R		T_J
	V	A	A	V	$25^{\circ}C_{T_A}$ μADC	$125^{\circ}C_{T_A}$ μADC	$^{\circ}C$
S15VB10M S15VB20M S15VB40M S15VB60M S15VB80M S15VB100M	100 200 400 600 800 1000	15	250	1.1	5	500	150
S25VB10M S25VB20M S25VB40M S25VB60M S25VB80M S25VB100M	100 200 400 600 800 1000	25	350	1.1	5	500	150
MP351M MP352M MP354M MP356M MP358M MP3510M	100 200 400 600 800 1000	35	400	1.1	5	500	150
MP501M MP502M MP504M MP506M MP508M MP5010M	100 200 400 600 800 1000	50	450	1.1	5	500	150

MAXIMUM RATINGS AND ELECTRICAL CHARACTERISTICS

Ratings at 25 °C ambient temperature unless otherwise specified. Single phase, half wave, 60Hz, resistive or inductive load. For capacitive load, derate current by 20%.



S15M~MP50M



15. 50-200A 3QL Series Three-Phase Bridge Rectifiers

Device	Maximum Peak Reverse Voltage	Maximum Average Forward Output Current	Maximum Forward Peak Surge Current @ 8.3ms Superimposed	Maximum DC Forward Voltage drop per leg	Maximum DC Reverse Current at rated DC Blocking Voltage per leg		Operating Junction Temperature
	PRV	I_o	$I_{FM}(\text{Surge})$	V_F	I_R		T_j
	V	A	A	V	25°C_{T_A} μADC	$125^{\circ}\text{C}_{T_A}$ mADC	$^{\circ}\text{C}$
3QL50AK 3QL50AM 3QL50AO 3QL50AS	800 1000 1200 1600	50	450	1.2	10	6	150
3QL60AK 3QL60AM 3QL60AO 3QL60AS	800 1000 1200 1600	60	500	1.2	10	6	150
3QL75AK 3QL75AM 3QL75AO 3QL75AS	800 1000 1200 1600	75	910	1.2	10	10	150
3QL100AK 3QL100AM 3QL100AO 3QL100AS	800 1000 1200 1600	100	1000	1.2	10	15	150
3QL150AK 3QL150AM 3QL150AO 3QL150AS	800 1000 1200 1600	150	1500	1.2	10	15	150
3QL200AK 3QL200AM 3QL200AO 3QL200AS	800 1000 1200 1600	200	2000	1.2	10	15	150

MAXIMUM RATINGS AND ELECTRICAL CHARACTERISTICS

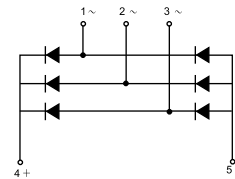
Ratings at 25 °C ambient temperature unless otherwise specified. Single phase, half wave, 60Hz, resistive or inductive load. For capacitive load, derate current by 20%.



3QL-25



3QL-36

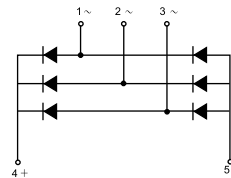


16. 30A DF Series Three-Phase Bridge Rectifiers

Device	Maximum Peak Reverse Voltage	Maximum Average Forward Output Current	Maximum Forward Peak Surge Current @ 8.3ms Superimposed	Maximum DC Forward Voltage drop per leg	Maximum DC Reverse Current at rated DC Blocking Voltage per leg		Operating Junction Temperature
	PRV	I_O	I_{FM} (Surge)	V_F	I_R		
	V	A	A	V	$25^{\circ}C T_A$ μADC	$125^{\circ}C T_A$ $mADC$	
DF30DB40	400	30	365	1.1	10	5	150
DF30DB80	800						
DF30DB120	1200						
DF30DB160	1600						

MAXIMUM RATINGS AND ELECTRICAL CHARACTERISTICS

Ratings at 25 °C ambient temperature unless otherwise specified. Single phase, half wave, 60Hz, resistive or inductive load. For capacitive load, derate current by 20%.



DF

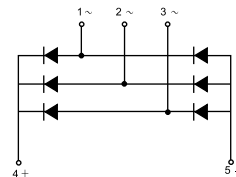
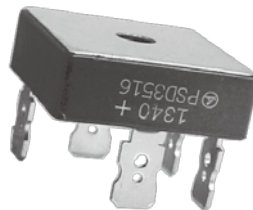
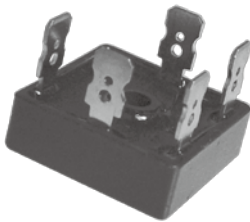


17. 25-50A PSD Series Three-Phase Bridge Rectifiers

Device	Maximum Peak Reverse Voltage	Maximum Average Forward Output Current	Maximum Forward Peak Surge Current @ 8.3ms Superimposed	Maximum DC Forward Voltage drop per leg	Maximum DC Reverse Current at rated DC Blocking Voltage per leg		Operating Junction Temperature
	PRV	I_o	I_{FM} (Surge)	V_F	I_R		
	V	A	A	V	$25^{\circ}C T_A$ μADC	$125^{\circ}C T_A$ mADC	
PSD2504	400	25	400	1.1	10	8.0	150
PSD2508	800						
PSD2512	1200						
PSD2516	1600						
PSD3504	400	35	450	1.1	10	8.0	150
PSD3508	800						
PSD3512	1200						
PSD3516	1600						
PSD5004	400	50	500	1.1	10	8.0	150
PSD5008	800						
PSD5012	1200						
PSD5016	1600						

MAXIMUM RATINGS AND ELECTRICAL CHARACTERISTICS

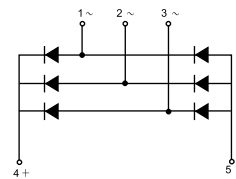
Ratings at 25 °C ambient temperature unless otherwise specified. Single phase, half wave, 60Hz, resistive or inductive load. For capacitive load, derate current by 20%.



PSD

18. 25-50A PSD series Three-Phase Bridge Rectifiers

Device	Maximum Peak Reverse Voltage	Maximum Average Forward Output Current	Maximum Forward Peak Surge Current @ 8.3ms Superimposed	Maximum DC Forward Voltage drop per leg	Maximum DC Reverse Current at rated DC Blocking Voltage per leg		Operating Junction Temperature
	PRV	I_O	I_{FM} (Surge)	V_F	I_R		T_J
	V	A	A	V	$25^{\circ}C T_A$ μADC	$125^{\circ}C T_A$ μADC	$^{\circ}C$
PSD2504M	400	25	400	1.1	10	5.0	150
PSD2508M	800						
PSD2512M	1200						
PSD2516M	1600						
PSD3504M	400	35	450	1.1	10	5.0	150
PSD3508M	800						
PSD3512M	1200						
PSD3514M	1400						
PSD3516M	1600						

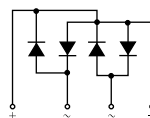
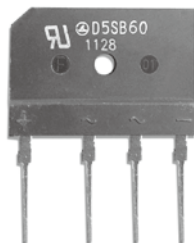


PSD



19. 15-50A D15-50SBLD Low VF Series Single-in-line Package Bridge Rectifiers

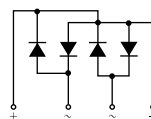
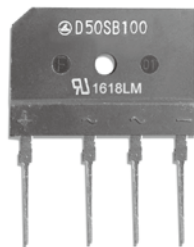
Device	Maximum Peak Reverse Voltage	Maximum Average Forward Output Current	Maximum Forward Peak Surge Current @ 8.3ms Superimposed	Maximum DC Forward Voltage drop per element	Maximum DC Reverse Current at rated DC Blocking Voltage per element		Operating Junction Temperature
	PRV	I_o	I_{FM} (Surge)	V_F	I_R		T_J
	V	A	A	V	$25^{\circ}C T_A$ μADC	$125^{\circ}C T_A$ μADC	$^{\circ}C$
D15SB10LD D15SB20LD D15SB40LD D15SB60LD D15SB80LD D15SB100LD	100 200 400 600 800 1000	15	250	0.93	5.0	500	150
D20SB10LD D20SB20LD D20SB40LD D20SB60LD D20SB80LD D20SB100LD	100 200 400 600 800 1000	20	300	0.93	5.0	500	150
D25SB10LD D25SB20LD D25SB40LD D25SB60LD D25SB80LD D25SB100LD	100 200 400 600 800 1000	25	350	0.93	5.0	500	150
D35SB10LD D35SB20LD D35SB40LD D35SB60LD D35SB80LD D35SB100LD	100 200 400 600 800 1000	35	400	0.93	5.0	500	150
D50SB10LD D50SB20LD D50SB40LD D50SB60LD D50SB80LD D50SB100LD	100 200 400 600 800 1000	50	450	0.93	5.0	500	150



D15-50SBLD

20. 25-50A D25-50SBLM Low Thermal Conductivity Series Single-in-line Package Bridge Rectifiers

Device	Maximum Peak Reverse Voltage	Maximum Average Forward Output Current	Maximum Forward Peak Surge Current @ 8.3ms Superimposed	Maximum DC Forward Voltage drop per element	Maximum DC Reverse Current at rated DC Blocking Voltage per element		Operating Junction Temperature
	PRV	I_O	I_{FM} (Surge)	V_F	I_R		T_J
	V	A	A	V	$25^{\circ}CT_A$ μADC	$125^{\circ}CT_A$ μADC	$^{\circ}C$
D25SB10LM D25SB20LM D25SB40LM D25SB60LM D25SB80LM D25SB100LM	100 200 400 600 800 1000	25	350	1.1	5.0	500	150
D35SB10LM D35SB20LM D35SB40LM D35SB60LM D35SB80LM D35SB100LM	100 200 400 600 800 1000	35	400	1.1	5.0	500	150
D50SB10LM D50SB20LM D50SB40LM D50SB60LM D50SB80LM D50SB100LM	100 200 400 600 800 1000	50	450	1.1	5.0	500	150



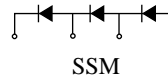
D25-50SBLM



SOLAR MODULE

1. SSM Series Solar Module

Device	Maximum Peak Reverse Voltage	Maximum Average Forward Output Current	Maximum Forward Peak Surge Current @ 8.3ms Superimposed	Maximum DC Forward Voltage drop per element at $I_F=1.0ADC$	Maximum DC Reverse Current at rated DC Blocking Voltage per element		Operating Junction Temperature
	PRV	I_O	I_{FM} (Surge)	V_F	I_R		T_J
	V	A	A	V	$25^{\circ}C T_A$ μADC	$125^{\circ}C T_A$ μADC	$^{\circ}C$
SSM2045	45	20	300	0.55	0.1	10	



INTEGRATED CIRCUIT

1. DC-DC

1.1 PFM CONTROL STEP-UP DC/DC CONVERTER

Device	Fosc (kHz)	V _{IN} (V)	V _{OUT} (V)	I _{OUT} (A)	Eff.(%)	Accuracy	External Switch	Enable	Packages
LR8301A	100	0.9~6.0	1.8~6.5 (0.1V Step)	0.4	85	2			SOT89 SOT23
LR8301B	100	0.9~6.0	1.8~6.5 (0.1V Step)	1	85	2	√		SOT89 SOT23
LR8301C	100	0.9~6.0	1.8~6.5 (0.1V Step)	0.8	85	2		√	SOT89-5 SOT23-5
LR8301D	100	0.9~6.0	1.8~6.5 (0.1V Step)	1	85	2	√	√	SOT89-5 SOT23-5
LR8303	300	0.9~6.0	1.8~6.0(0.1V Step)	1	87	2			SOT89-3/5 SOT23-3/5
LR8304	1000	2.0~5.5	~28	0.4		2			SOT23-5/6DFN2020-6
LR8400	1200	0.9~5.0	2.5~4.5	1	96	2		√	SOT23-6
LR8401A/B	100	0.9~6.0	2.5~5.5	0.3	95	2	SBD free	√	SOT89-3/5 SOT23-3/5
LR8406	1200	0.5~4.5	2.5~4.3	1.2	96	2		√	SOT23-6
LR8421	500	1.8~5.25	2.5~5.5	2.1	90				SOP8
LR8425	500	1.8~5.25	2.5~5.5	2.5	97			√	QFN2.1x2.1-10
LR9908	100	0.9~6.0	Adj	1	85	2	√	√	SOT89-5 SOT23-5

1.2 PWM SYNCHRONOUS STEP-DOWN CONVERTER

Device	Fosc (kHz)	V _{IN} (V)	V _{OUT} (V)	I _{OUT} (A)	Eff.(%)	Accuracy (±%)	Drive Current(A)	Enable	Packages
LR8501	1500	1.8~5.5	0.6~5.0	0.6	96	2	0.6	√	SOT23-5
LR8503	1500	2.0~6.5	0.6~5.0	0.8	96	2	0.8	√	SOT23-5
LR8506	1500	2.5~5.5	0.6~5.0	0.6	96	2	0.6	√	SOT23-5
LR8509	1500	2.5~5.5	0.6~5.0	0.6	96	2	0.6	√	SOT23-5
LR9641	660	42	Adj	0.70	92	2.5	0.7	√	SOT23-6
LR8095	1400	4~24	Adj	0.6	90	2	1.2	√	SOT23-6
LR9382C	350	4.5~24	Adj	2	94	2.5	2.0	√	SOP8/eSOP8

2. Amplifiers and Comparators

Device	Mode	I _{IB} (nA)	DC Gain (dB)	V _{OPMAX} (±V)	PSRR (dB)	I _{IO} (nA)	V _{IO} (mV)	Package
LR072	Low Noise J-FET Dual OP	0.03	106	18	86	0.005	3	SOP8/DIP8
LR074	Low Noise J-FET Quad OP	0.03	106	18	86	0.005	3	SOP8/DIP8
LR4580	Low Noise Dual OP	100	110	18	76	5	2	SOP8/DIP8



2.1 Amplifiers and Comparators

Device	Mode	I _{IB} (nA)	DC Gain (dB)	V _{OPMAX} (±V)	PSRR (dB)	I _{IO} (nA)	V _{IO} (mV)	Package
LR4558	High-Performance Op-Amp	30	100	18	76	5	6	SOP8/DIP8
LR324	Quad Op-Amp	45	100	15 or single 30	100	5	7	SOP14/DIP14
LR358	Dual Op-Amp	45	100	16 or single 32	100	3	5	SOP8/DIP8
LR2904	Dual Op-Amp	45	100	16 or single 32	100	3(-40~125°C)	5(-40~125°C)	SOP8/DIP8
LR393	Dual Comparator	25	106	18 or single 36	-	±5	±5	SOP8/DIP8
LR2903	Dual Comparator	25	106	18 or single 36	-	±5(-40~105°C)	±5(-40~105°C)	SOP8/DIP8
LR339	Quad Comparator	25	106	18 or single 36	-	±5	±5	SOP14/DIP14

3. Voltage References

Device	I _{KMAX} (mA)	V _{REF} (V)	V _O (V)	ΔV _O /V _O (±%)	T _A (°C)	Package
LR431ALT1G	150	2.5	2.5~36	0.5	0~70	SOT23
LR431BLT1G	150	2.5	2.5~36	1.0	0~70	SOT23
LTL431ALT1G	150	2.5	2.5~36	0.5	0~70	SOT23
LTL431BLT1G	150	2.5	2.5~36	1.0	0~70	SOT23
LR431APLT1G	150	2.495	2.495~36	0.5	0~70	SOT23
LR431BPLT1G	150	2.495	2.495~36	1.0	0~70	SOT23
LTL431APLT1G	150	2.495	2.495~36	0.5	0~70	SOT23
LTL431BPLT1G	150	2.495	2.495~36	1.0	0~70	SOT23
LR431ATLT1G	150	2.5	2.5~36	0.5	-40~125	SOT23
LR431ATSLT1G	150	2.5	2.5~36	0.5	-40~125	SOT23
LR431AHTSLT1G	150	2.5	2.5~42	0.5	-40~125	SOT23
LR431APTSLT1G	150	2.495	2.5~36	0.5	-40~125	SOT23
LR431BTLT1G	150	2.5	2.5~36	1.0	-40~125	SOT23
LTL431ATLT1G	150	2.5	2.5~36	0.5	-40~125	SOT23
LTL431ATSLT1G	150	2.5	2.5~36	0.5	-40~125	SOT23
LTL431APTSLT1G	150	2.495	2.5~36	0.5	-40~125	SOT23
LTL431BTLT1G	150	2.5	2.5~36	1.0	-40~125	SOT23
LR431APTTLT1G	150	2.495	2.495~36	0.5	-40~125	SOT23
LR431BP TTLT1G	150	2.495	2.495~36	1.0	-40~125	SOT23
LTL431APTTLT1G	150	2.495	2.495~36	0.5	-40~125	SOT23
LTL431BP TTLT1G	150	2.495	2.495~36	1.0	-40~125	SOT23
LTL431AHLT1G	150	2.5	2.5~36	0.5	0~70	SOT23
LTL431BHLT1G	150	2.5	2.5~36	1.0	0~70	SOT23
LR431APHLT1G	150	2.495	2.495~36	0.5	0~70	SOT23
LTL431APHLT1G	150	2.495	2.495~36	0.5	0~70	SOT23
LR432ALT1G	150	1.24	1.24~18	1.0	-40~105	SOT23
LR432AALT1G	150	1.24	1.24~18	0.5	-40~105	SOT23
LR432ATLT1G	100	1.24	1.24~18	1	-40~105	SOT-23
LR432BTLT1G	100	1.24	1.24~18	0.5	-40~105	SOT-23
LTL432ATLT1G	100	1.24	1.24~18	1	-40~105	SOT-23
LTL432BTLT1G	100	1.24	1.24~18	0.5	-40~105	SOT-23

4. V-Detector/Reset

Device	V _{IN} (V)	Detection voltage(V)	Quiescent Current(μA)	Accuracy (±%)	Delay time(ms)	Output forms	Packages
LR8803	0.7~6.0	0.9~2.0	1.0	2	200	C/N	SOT89, SOT23-3/5, SOT343, TO-92
LR8808C	0.95~8.0	1.5~6.0	1.0	2	No delay	CMOS	SOT89, SOT23, SOT343, TO-92
LR8808N	0.95~8.0	1.5~6.0	1.0	2	No delay	Nch	SOT89, SOT23, SOT343, TO-92
LR8809C	0.95~8.0	1.5~6.0	1.0	2	200	CMOS	SOT89, SOT23, TO-92
LR8809N	0.95~8.0	1.5~6.0	1.0	2	200	Nch	SOT89, SOT23, TO-92

5. Low Dropout Voltage Regulators

Device	V _{IN} (V)	V _{OUT} (V)	I _{OUT} (mA)	Accuracy (%)	Quiescent Current (μA)	Bypass (RF)	Enable	Packages
LR6200	2.0~6.0	1.0~5.0	300	2	50		√	SOT23/SOT23-5/ DFN1x1-4/ SOT89-3/ SOT89-5
LR6205	2.0~6.0	1.2~5.0	500	2	50		√	SOT23/SOT23-5/ DFN1x1-4/ SOT89-3/ SOT89-5
LR6219	2.0~8.0	0.9~5.0	300	2	5			SOT23/ SOT89/TO92
LR6230	2.0~7.0	1.2~5.0	300	1or 2	5		√	SOT23/SOT25/TO92/DFN1x1-4/SOT89-3/SOT89-5
LR6232	1.8~8	1.2~5.0	300	1or 2	0.8		√	SOT23/SOT25/TO92/DFN1x1-4/SOT89-3
LR6275	~28	2.8~5.0	150	2	6			SOT23/SOT89/TO92
LR6300	2.0~6.0	Adj	300	2	50		√	SOT23/SOT23-5/ DFN1x1-4/ SOT89-3/ SOT89-5
LR6302	2.5~18	1.2~5.0	300	1or 2	2		√	SOT23/SOT23-5/ SOT89-3/ SOT89-5
LR6375	2.5~36	2.1~12	250	1or 2	2			SOT23/SOT23-5/SOT89-3/TO92/SOP8
LR8503	1.5~10.0	1.2~6.0	250	2	3			SOT23/SOT89/TO92
LR8558	1.5~10.0	1.2~4.5	500	2	75		√	SOT23/SOT23-5/SOT89/TO92
LR8563	~8	1.5~4.5	300	2	25		√	SOT23-5/SC70-5
LR8061	~16	1.1~5.0	250	2	2			SOT23/SOT23-5/SOT89
LR8064	1.5~6.0	1.1~5.5	200	2	5			SOT23/SOT89/TO92
LR9198	2.0~6.0	1.2/1.5/1.8/2.5 2.8 3.0 3.3 5.0	300	2	90		√	SOT23-5/SC70-5
LR1117C	3.0~15.0	Fixed and adjustable	1000	1or 2	2000			SOT223/TO252/TO220
LR1117D	3.0~18.0	Fixed and adjustable	1000	1or 2	2000			SOT223/TO252/TO220

6. Li-ion Battery Charger

Device	V _{IN}	Series Cells	Max Charger(mA)	Charger Type	Output Accu.	Package
LR4054	4.25~6.5V (MAX 10V)	1	800	Linear	4.2V±1% 4.35V±1%	TDFN1.8X2.0-6/SOT23-5/SOT89-5

7. Audio Power Amplifiers

Device	Description	V _{DD} (V)	Package
LR6311	2.5W Mono Filter-Free Class D Audio Power Amplifier	2.5~5.5	CSP-9
LR6212	1.28W Audio Class AB Power Amplifier	2.2~5.5	MSOP-8 CSP-9
LR4890	1.25W Audio Class AB Power Amplifier	2.2~6.8	SOP8 MSOP8



8. Analog Switch

Device	Description	V _{DD} (V)	Package
LR1551	High bandwidth Low-Voltage SPDT	1.65~5.5	SC70-6
LR1554	Quad SPDT	1.6~4.2	QFN-16(3×3)

9. Peripheral Drivers

Device	Description	V _{DD} (V)	Package
LR2003A	500mA 7 Darlington Driver Array	50	DIP16
LR2003L	500mA 7 Darlington Driver Array	50	SOP16

10. Three Terminal Regulators

Device	I _O (Max) (mA)	V _{IN} (Max) (V)	V _O (V)	ΔV _O /V _O (±%)	T _A (°C)	Package
LR7805	1000	35-40	5	4	-40~125	TO-220
LR7805D	1000	35~40	5	4	-40~125	TO252
LR7806	1000	35-40	6	4	-40~125	TO-220
LR7807	1000	35-40	7	4	-40~125	TO-220
LR7808	1000	35-40	8	4	-40~125	TO-220
LR7809	1000	35-40	9	4	-40~125	TO-220
LR7810	1000	35-40	10	4	-40~125	TO-220
LR7812	1000	35-40	12	4	-40~125	TO-220
LR7815	1000	35-40	15	4	-40~125	TO-220
LR7818	1000	35-40	18	4	-40~125	TO-220
LR7824	1000	35-40	24	4	-40~125	TO-220
LR78M05D	500	35-40	5	4	-40~85	DPAK
LR78M08	500	35-40	8	4	-40~85	TO-220 / TO252
LR78M12D	500	35-40	12	4	-40~85	TO252
LR78L05	100	30-35	5	4	-55-125	TO92/SOT89
LR78L06	100	30-35	6	4	-55-125	TO92/SOT89
LR78L08	100	30-35	8	4	-55-125	TO92/SOT89
LR78L09	100	30-35	9	4	-55-125	TO92/SOT89
LR78L12	100	30-35	12	4	-55-125	TO92/SOT89
LR78L15	100	30-35	15	4	-55-125	TO92/SOT89
LR78L18	100	30-35	18	4	-55-125	TO92/SOT89
LR78L24	100	30-35	24	4	-55-125	TO92/SOT89

11. One-Gate Logic

Description	
V_{CC} (V)	V_{DD} (V) for OD
1.65~5.5	7(Max)

11.1 CMOS input logic

Device	Type	V_{CC} (V)	T_{pd} (ns)	ESD(kV)	Package
L74VHC1G00	2-Input NAND Gate	3.3~5.0	2.5~4.5	5.0	SC70-5
L74VHC1G02	2-Input NOR Gate	3.3~5.0	2.5~4.5	5.0	SC70-5
L74VHC1G04	Inverter	3.3~5.0	2.5~4.5	5.0	SC70-5
L74VHC1G08	2-Input AND Gate	3.3~5.0	2.5~4.5	5.0	SC70-5
L74VHC1G14	Schmitt-Trigger Inverter	3.3~5.0	2.5~4.5	5.0	SC70-5
L74VHC1G32	2-Input OR Gate	3.3~5.0	2.5~4.5	5.0	SC70-5
L74VHC1G50	Noninverting Buffer	3.3~5.0	2.5~4.5	5.0	SC70-5
L74VHC1G66	Analog Switch	3.3~5.0	2.5~4.5	5.0	SC70-5
L74VHC1G86	2-Input Exclusive OR Gate	3.3~5.0	2.5~4.5	5.0	SC70-5
L74VHC1G125	3-State Non-Inverting Buffer(EN=0)	3.3~5.0	2.5~4.5	5.0	SC70-5
L74VHC1G126	3-State Non-Inverting Buffer(EN=1)	3.3~5.0	2.5~4.5	5.0	SC70-5
L74VHC1G132	2-Input NAND Schmitt-Trigger	3.3~5.0	2.5~4.5	5.0	SC70-5
L74VHC1GU04	Unbuffered Inverter	3.3~5.0	2.5~4.5	5.0	SC70-5

11.2 CMOS input logic with Open Drain Output

Device	Type	V_{CC} (V)	V_{DD} (V)	T_{pd} (ns)	ESD(kV)	Package
L74VHC1G01	2-Input NAND Gate with Open Drain Output	3.3~5.0	≤ 7	2.5~4.5	5.0	SC70-5
L74VHC1G03	2-Input NOR Gate with Open Drain Output	3.3~5.0	≤ 7	2.5~4.5	5.0	SC70-5
L74VHC1G05	Inverter with Open Drain Output	3.3~5.0	≤ 7	2.5~4.5	5.0	SC70-5
L74VHC1G07	Noninverting Buffer with Open Drain Output	3.3~5.0	≤ 7	2.5~4.5	5.0	SC70-5
L74VHC1G09	2-Input AND Gate with Open Drain Output	3.3~5.0	≤ 7	2.5~4.5	5.0	SC70-5
L74VHC1G135	2-Input NAND Schmitt-Trigger with Open Drain Output	3.3~5.0	≤ 7	2.5~4.5	5.0	SC70-5

11.3 CMOS/TTL input compatible logic

Device	Type	V_{CC} (V)	T_{pd} (ns)	ESD(kV)	Package
L74VHC1GT00	2-Input NAND Gate/CMOS Logic Level Shifter	3.3~5.0	2.5~4.5	5.0	SC70-5
L74VHC1GT02	2-Input NOR Gate/CMOS Logic Level Shifter	3.3~5.0	2.5~4.5	5.0	SC70-5
L74VHC1GT04	Inverting Buffer/CMOS Logic Level Shifter	3.3~5.0	2.5~4.5	5.0	SC70-5
L74VHC1GT08	2-Input AND Gate/CMOS Logic Level Shifter	3.3~5.0	2.5~4.5	5.0	SC70-5
L74VHC1GT14	Schmitt-Trigger Inverter/CMOS Logic Level Shifter	3.3~5.0	2.5~4.5	5.0	SC70-5
L74VHC1GT32	2-Input OR Gate/CMOS Logic Level Shifter	3.3~5.0	2.5~4.5	5.0	SC70-5
L74VHC1GT50	Noninverting Buffer/CMOS Logic Level Shifter	3.3~5.0	2.5~4.5	5.0	SC70-5
L74VHC1GT66	Analog Switch/CMOS Logic Level Shifter	3.3~5.0	2.5~4.5	5.0	SC70-5
L74VHC1GT86	2-Input Exclusive OR Gate/CMOS Logic Level Shifter	3.3~5.0	2.5~4.5	5.0	SC70-5



11.4 CMOS/TTL input compatible logic with Open Drain Output

Device	Type	V _{CC} (V)	V _{DD} (V)forOD	T _{PD} (ns)	ESD(kV)	Package
L74VHC1GT01	2-Input NAND Gate with Open Drain Output/CMOS Logic Level Shifter	3.3~5.0	≤7	2.5~4.5	5.0	SC70-5
L74VHC1GT03	2-Input NOR Gate with Open Drain Output/CMOS Logic Level Shifter	3.3~5.0	≤7	2.5~4.5	5.0	SC70-5
L74VHC1GT05	Inverter with Open Drain Output/CMOS Logic Level Shifter	3.3~5.0	≤7	2.5~4.5	5.0	SC70-5
L74VHC1GT07	Noninverting Buffer with Open Drain Output/CMOS Logic Level Shifter	3.3~5.0	≤7	2.5~4.5	5.0	SC70-5
L74VHC1GT09	2-Input AND Gate with Open Drain Output/CMOS Logic Level Shifter	3.3~5.0	≤7	2.5~4.5	5.0	SC70-5

12. EEPROM

Device	Internally Organized	Vol(k)	Fscl(kHz)	V _{CC} (V)	Package
LR24C02XL	256x8	2	400 (1.7~2.5V)	1.7~5.5	SOP8 SOT23-5 TSSOP8
LR24C08	1024x8	8			SOP8 TSSOP8
LR24C16	2048x8	16			SOP8 DFN8 TSSOP8
LR24C32	4096x8	32			SOP8 DFN8 TSSOP8
LR24C64	8192x8	64			SOP8 DFN8 TSSOP8
LR24C128	16384x8	128			SOP8 DFN8 TSSOP8
LR24C256	32768x8	256			SOP8 DFN8 TSSOP8
LR24C512	65536x8	512			SOP8 DFN8 TSSOP8

13. Hall Switch

Device	V _{IN} (V)	Shunt-Down Current (μA)	Top (μS)	Tstb(mS)	Output Type	T _A (°C)	Package
LR1001	2.4~5.5	1.9	100	140	OD	-40~85	SOT23-3

14. SPI NOR FLASH

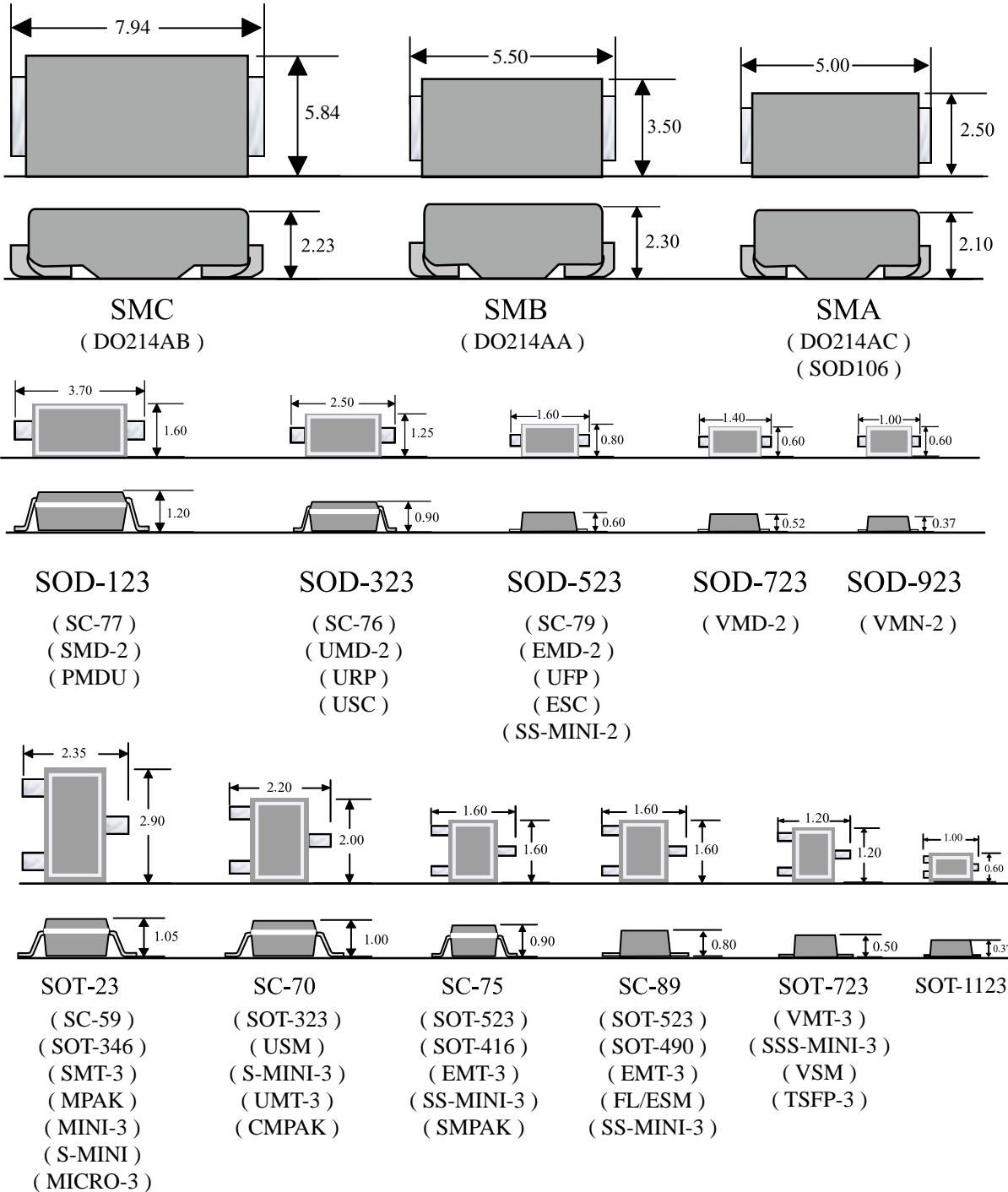
Device	V _{CC} (V)	Density	Temp (°C)	Speed(Mhz)	Package
LR25D40S	2.7~3.6	4M	-40 to +85	55/108	DFN8 SOP8-150mil SOP8-208mil
LR25D80S	2.7~3.6	8M	-40 to +85	55/108	DFN8 SOP8-150mil SOP8-208mil
LR25D16S	2.7~3.6	16M	-40 to +85	55/108	DFN8 SOP8-150mil SOP8-208mil
LR25Q32S	2.7~3.6	32M	-40 to +85	55/108	DFN8 SOP8-150mil SOP8-208mil
LR25Q64S	2.7~3.6	64M	-40 to +85	55/108	DFN8 SOP8-150mil SOP8-208mil
LR25D20L	1.65~1.95	2M	-40 to +85	55/108	DFN8 SOP8-150mil SOP8-208mil
LR25D40L	1.65~1.95	4M	-40 to +85	55/108	DFN8 SOP8-150mil SOP8-208mil

15. HIGH FREQUENCY TRANSISTORS

Device	Marking	I _C (mA)	V _{CEO} (V)	h _{FE}		V _{CE(sat)}		f _T TYP (MHz)	Polarity	Package
				Min / Max	I _C /V _{CE} (mA)/(Volts)	Max (Volts)	I _C /I _B (mA)			
L2SC3838LT1G	AD	50	11	56/180	5/10	0.5	10/5	3200	NPN	SOT-23
L2SC4083NWT1G	4N	50	11	56/120	5/10	0.5	10/5	3200	NPN	SC-70
L2SC4083PWT1G	1D	50	11	82/180	5/10	0.5	10/5	3200	NPN	SC-70
L2SC4083QWT1G	4Q	50	11	120/270	5/10	0.5	10/5	3200	NPN	SC-70
L2SC3837LT1G	AP	50	20	56/180	10/10	0.5	20/4	1500	NPN	SOT-23
L2SC3356LT1G	R24	100	12	82/270	10/3	-	-	7000	NPN	SOT-23
L2SC3356WT1G	24	100	12	82/270	10/3	-	-	7000	NPN	SC-70
L2SC3356QALT1G	L25	100	12	125/250	10/3	-	-	7000	NPN	SOT-23
L2SC3356QAWT1G	L25	100	12	125/250	10/3	-	-	7000	NPN	SC-70



SMD PACKAGE OUTLINE COMPARISON



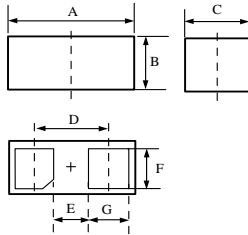
PACKAGE COMPARISON TABLE

EIAJ	IEC	JEDEC	OTHER	LRC
SC-77	SOD-123		PMDU,SMD2	SOD-123
SC-76	SOD-323		UMD2,URP,USC	SOD-323
SC-79	SOD-523		EMD2,UFP,SS-MINI2,ESC	SOD-523
	SOD-723		VMD2	SOD-723
	SOD-923		VMN2	SOD-923
SC-70	SOT-323	USM,S-MINI3	UMT3,CMPAK	SC-70
			SPT	SC-72
SC-74	SOT-457	TSOP6	SMT6,SC-59-6,SOT-23-6	SC-74
SC-74A		TSOP5	SMT5,SC-59-5,SOT-23-5	SC-74A
SC-75,SC-90	SOT-416	SOT-523,SS-MINI3,SSM	EMT3,SMPAK	SC-75
			EMT3/SOT-416	SC-75A
SC-88	SOT-363		UMT6,SC-70-6	SC-88
SC-88A	SOT-353		UMT5,SC-70-5	SC-88A
SC-89	SOT-490	SOT-523,SS-MINI3	EMT3,FL/ESM	SC-89
		DO-214AC	SOD-106	SMA
		DO-214AA		SMB
		DO-214AB		SMC
SC-59	SOT-346		SMT3,MPAK,MINI3,S-MINI,MICRO3	SOT-23
SC-70		USM,S-MINI3	UMT3,CMPAK	SOT-323
	SOT-553		EMT5,SOT-665	SOT-553
	SOT-563		EMT6,SOT-666	SOT-563
	SOT-723		VMT3,3SS-MINI3,VSM,TSFP-3	SOT-723
			DPAK	TO-252
SC-43	SOT-54	TO-226AA	SPT	TO-92
			MINIMELF/SOD80/DO-213AA	LL-34



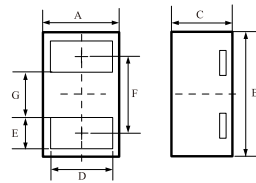
DEVICE DIMENSION

1. DFN0603



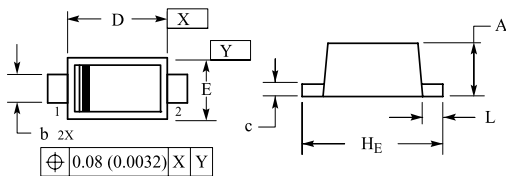
DIM	MILLIMETERS		INCHES	
	MIN	MAX	MIN	MAX
A	0.580	0.640	0.0228	0.0252
B	0.270	0.330	0.0106	0.0122
C	0.280	0.340	0.0112	0.0132
D	0.340		0.0134	
E	0.120	0.180	0.0047	0.0071
F	0.200	0.260	0.0079	0.0102
G	0.170	0.210	0.0067	0.0083

2. SOD-882



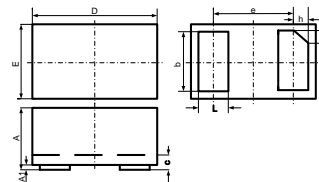
DIM	MILLIMETERS		INCHES	
	MIN	MAX	MIN	MAX
A	0.55	0.65	0.0217	0.0256
B	0.95	1.05	0.0374	0.0413
C	0.45	0.54	0.0177	0.0213
D	0.45	0.54	0.0177	0.0213
E	0.20	0.30	0.0079	0.0118
F	0.64		0.0252	
G	0.35	0.44	0.0138	0.0173

3. SOD-923



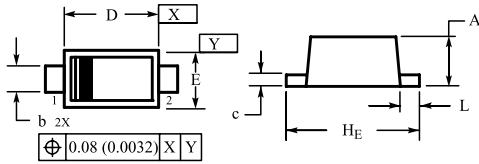
DIM	MILLIMETERS			INCHES		
	MIN	NOM	MAX	MIN	NOM	MAX
A	0.34	0.37	0.40	0.013	0.015	0.016
b	0.15	0.20	0.25	0.006	0.008	0.010
c	0.07	0.12	0.17	0.003	0.005	0.007
D	0.75	0.80	0.85	0.030	0.031	0.033
E	0.55	0.60	0.65	0.022	0.024	0.026
H _E	0.95	1.00	1.05	0.037	0.039	0.041
L	0.05	0.10	0.15	0.002	0.004	0.006

4. DFN1610-2



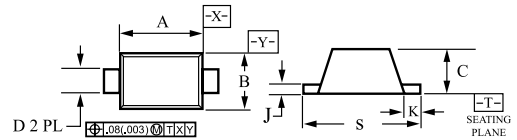
DIM	MILLIMETERS			INCHES		
	MIN	NOM	MAX	MIN	NOM	MAX
A	0.45	0.50	0.55	0.018	0.020	0.022
A1	0.00	0.02	0.05	0.000	0.001	0.002
b	0.75	0.80	0.85	0.030	0.032	0.034
c	0.10	0.15	0.20	0.004	0.006	0.008
D	1.55	1.60	1.65	0.062	0.064	0.066
e	1.10 BSC			0.044 BSC		
E	0.95	1.00	1.05	0.038	0.040	0.042
L	0.35	0.40	0.45	0.014	0.016	0.018
h	0.15	0.20	0.25	0.006	0.008	0.010

5. SOD-723



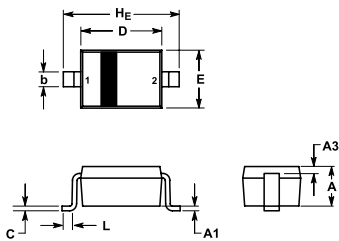
DIM	MILLIMETERS			INCHES		
	MIN	NOM	MAX	MIN	NOM	MAX
A	0.49	0.52	0.55	0.019	0.020	0.022
b	0.25	0.28	0.32	0.0098	0.011	0.013
C	0.08	0.12	0.15	0.0032	0.0047	0.0059
D	0.95	1.00	1.05	0.037	0.039	0.041
E	0.55	0.60	0.65	0.022	0.024	0.026
H _E	1.35	1.40	1.45	0.053	0.055	0.057
L	0.15	0.20	0.25	0.006	0.0079	0.010

6. SOD-523/SC-79



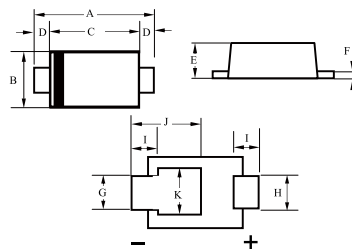
DIM	MILLIMETERS		INCHES	
	MIN	MAX	MIN	MAX
A	1.10	1.30	0.043	0.051
B	0.70	0.90	0.028	0.035
C	0.50	0.70	0.020	0.028
D	0.25	0.35	0.010	0.014
J	0.07	0.20	0.0028	0.0079
K	0.15	0.25	0.006	0.010
S	1.50	1.70	0.059	0.067

7. SOD-323/SC-76



DIM	MILLIMETERS			INCHES		
	MIN	NOM	MAX	MIN	NOM	MAX
A	0.80	0.90	1.00	0.031	0.035	0.040
A1	0.00	0.05	0.10	0.000	0.002	0.004
A3	0.15 REF			0.006 REF		
b	0.25	0.32	0.4	0.010	0.012	0.016
C	0.089	0.12	0.177	0.003	0.005	0.007
D	1.60	1.70	1.80	0.062	0.066	0.070
E	1.15	1.25	1.35	0.045	0.049	0.053
L	0.08			0.003		
H _E	2.30	2.50	2.70	0.090	0.098	0.105

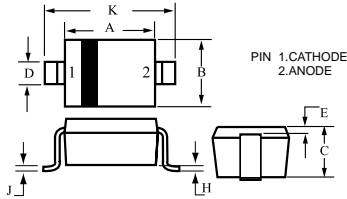
8. SOD-323HE



DIM	MILLIMETERS		INCHES	
	MIN	MAX	MIN	MAX
A	2.30	2.70	0.091	0.106
B	1.20	1.35	0.047	0.053
C	1.75	1.95	0.069	0.077
D	0.30Typ		0.012Typ	
E	0.55	0.75	0.022	0.030
F	0.10	0.20	0.004	0.008
G	0.50	0.55	0.020	0.022
H	0.50	0.55	0.020	0.022
I	0.40	0.60	0.016	0.024
J	1.15	1.55	0.045	0.061
K	0.8Typ		0.032Typ	

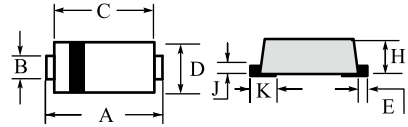


9. SOD-123



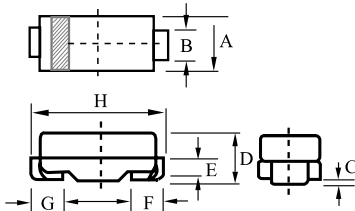
DIM	MILLIMETERS		INCHES	
	MIN	MAX	MIN	MAX
A	2.55	2.85	0.0995	0.1112
B	1.40	1.80	0.0546	0.0702
C	0.95	1.35	0.0371	0.0527
D	0.50	0.70	0.0195	0.0273
E	0.30 REF		0.0117REF	
H	-	0.10	-	0.0039
J	-	0.15	-	0.0056
K	3.55	3.85	0.1385	0.1502

10. SOD123-FL



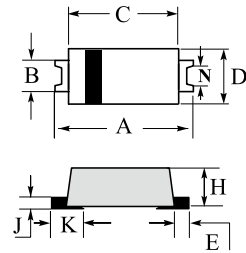
DIM	MILLIMETERS		INCHES	
	MIN	MAX	MIN	MAX
A	3.5	3.9	0.138	0.159
B	0.75	0.95	0.029	0.037
C	2.6	3.0	0.103	0.119
D	1.6	2.0	0.063	0.079
E	0.45TYP		0.018TYP	
H	0.9	1.2	0.036	0.047
J	0.12	0.22	0.005	0.009
K	0.8TYP		0.032TYP	

11. DO-214AC/SMA



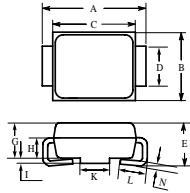
DIM	MILLIMETERS		INCHES	
	MIN	MAX	MIN	MAX
A	2.2	2.80	0.086	0.110
B	1.3	1.70	0.051	0.067
C	-	0.20	-	0.008
D	1.7	2.55	0.067	0.100
E	0.2	1.30	0.008	0.051
F	0.9	1.50	0.035	0.059
H	4.7	5.30	0.185	0.209
G	0.9	1.50	0.035	0.059

12. SMA-FL



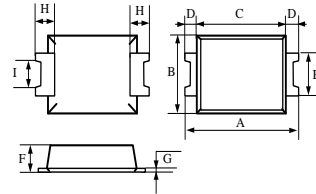
DIM	MILLIMETERS		INCHES	
	MIN	MAX	MIN	MAX
A	4.4	4.8	0.173	0.189
B	1.3	1.5	0.051	0.059
C	3.3	3.7	0.130	0.146
D	2.3	2.7	0.091	0.106
E	0.55Typ		0.0217Typ	
H	0.9	1.2	0.036	0.047
J	0.11	0.21	0.005	0.009
K	0.90Typ		0.0354Typ	
N	0.80Typ		0.0315Typ	

13. DO-214AA/SMB



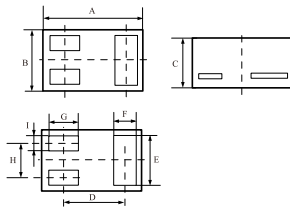
DIM	MILLIMETERS			INCHES		
	MIN	NOM	MAX	MIN	NOM	MAX
A	5.0	5.25	5.45	0.197	0.207	0.215
B	3.2	3.6	4.0	0.126	0.142	0.157
C	4.3	4.5	4.7	0.169	0.177	0.185
D	1.8	2.0	2.2	0.071	0.079	0.087
E	2.2	2.35	2.5	0.087	0.093	0.098
G	1.9	2.1	2.3	0.075	0.083	0.091
H	0.95	1.1	1.25	0.037	0.043	0.049
I	0.05	0.1	0.15	0.002	0.004	0.006
K	1.7	1.9	2.1	0.067	0.075	0.083
L	0.9	1.3	1.6	0.035	0.051	0.063
N	0.1	0.2	0.3	0.004	0.008	0.012

14. SMB-FL



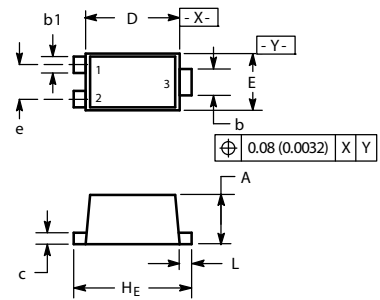
DIM	MILLIMETERS		INCHES	
	MIN	MAX	MIN	MAX
A	5.3	5.7	0.209	0.224
B	3.4	3.8	0.134	0.150
C	4.3	4.7	0.169	0.185
D	0.45Typ		0.018Typ	
E	1.9	2.1	0.0748	0.08268
F	1.05	1.40	0.04134	0.05512
G	0.2	0.3	0.00591	0.00984
H	0.95Typ		0.037Typ	
I	1.30Typ		0.0512Typ	

15. SOT-883



DIM	MILLIMETERS		INCHES	
	MIN	MAX	MIN	MAX
A	0.95	1.05	0.0374	0.0413
B	0.55	0.65	0.0217	0.0256
C	0.45	0.54	0.0177	0.0213
D	0.61	0.66	0.0240	0.0260
E	0.45	0.54	0.0177	0.0213
F	0.24	0.29	0.0094	0.0114
G	0.22	0.27	0.0087	0.0106
H	0.31	0.36	0.0122	0.0142
I	0.13	0.18	0.0051	0.0071

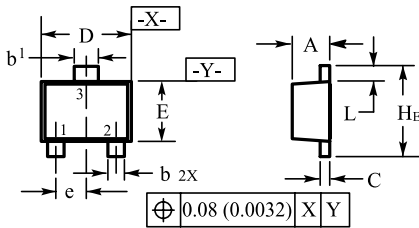
16. SOT-1123



DIM	MILLIMETERS			INCHES		
	MIN	NOM	MAX	MIN	NOM	MAX
A	0.34	0.37	0.40	0.013	0.015	0.016
b	0.15	0.22	0.28	0.006	0.009	0.011
b1	0.10	0.15	0.20	0.004	0.006	0.008
c	0.07	0.12	0.17	0.003	0.005	0.007
D	0.75	0.80	0.85	0.030	0.031	0.033
E	0.55	0.60	0.65	0.022	0.024	0.026
e	0.35	-	0.40	0.014	-	0.016
H _E	0.95	1.00	1.05	0.037	0.039	0.041
L	0.05	0.10	0.15	0.002	0.004	0.006

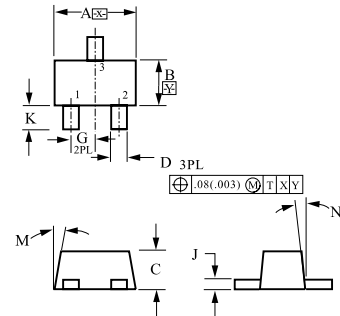


17. SOT-723



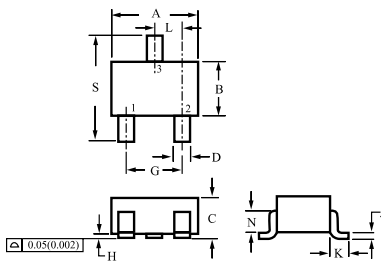
DIM	MILLIMETERS			INCHES		
	MIN	NOM	MAX	MIN	NOM	MAX
A	0.45	0.50	0.55	0.018	0.020	0.022
b	0.15	0.21	0.27	0.0059	0.0083	0.0106
b ₁	0.25	0.31	0.37	0.010	0.012	0.015
C	0.07	0.12	0.17	0.0028	0.0047	0.0067
D	1.15	1.20	1.25	0.045	0.047	0.049
E	0.75	0.80	0.85	0.03	0.032	0.034
e	0.40 BSC			0.016 BSC		
H _e	1.15	1.20	1.25	0.045	0.047	0.049
L	0.15	0.20	0.25	0.0059	0.0079	0.0098

18. SC-89



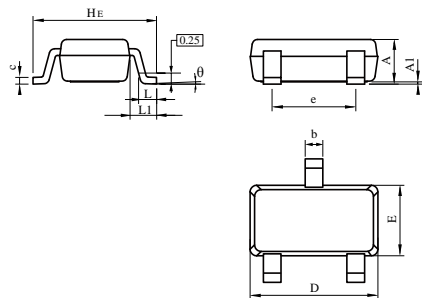
DIM	MILLIMETERS			INCHES	
	MIN	MAX	MIN	MAX	
A	1.50	1.70	0.059	0.067	
B	0.75	0.95	0.030	0.040	
C	0.60	0.80	0.024	0.031	
D	0.23	0.33	0.009	0.013	
E	0.50BSC		0.020BSC		
H	0.53BSC		0.021REF		
J	0.10	0.20	0.004	0.008	
K	0.30	0.50	0.012	0.020	
L	1.10REF		0.043REF		
M	-	10°	-	10°	
N	-	10°	-	10°	
S	1.50	1.70	0.059	0.067	

19. SOT-323/SC-70



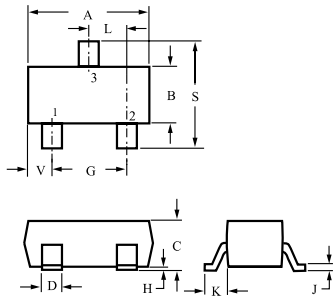
DIM	MILLIMETERS		INCHES	
	MIN	MAX	MIN	MAX
A	1.80	2.20	0.071	0.087
B	1.15	1.35	0.045	0.053
C	0.80	1.00	0.032	0.040
D	0.30	0.40	0.012	0.016
G	1.20	1.40	0.047	0.055
H	0.00	0.10	0.000	0.004
J	0.10	0.25	0.004	0.010
K	0.425 REF		0.017 REF	
L	0.650 BSC		0.026 BSC	
N	0.700 REF		0.028 REF	
S	2.00	2.40	0.079	0.095

20. SOT23LC



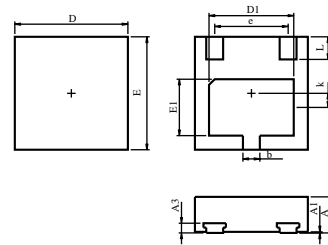
DIM	MILLIMETERS			INCHES		
	MIN	NOM	MAX	MIN	NOM	MAX
A	0.90	1.00	1.10	0.035	0.039	0.043
A1	0.01	0.06	0.10	0.000	0.002	0.004
b	0.30	0.40	0.50	0.012	0.016	0.020
c	0.10	0.17	0.20	0.004	0.007	0.008
D	2.80	2.90	3.00	0.110	0.114	0.118
E	1.50	1.60	1.70	0.059	0.063	0.067
e	1.80	1.90	2.00	0.071	0.075	0.079
L	0.20	0.40	0.60	0.008	0.016	0.024
L1	0.60REF			0.024REF		
H _e	2.60	2.80	3.00	0.102	0.110	0.118
θ	0°	-	10°	0°	-	10°

21. SOT-23/TO-236AB



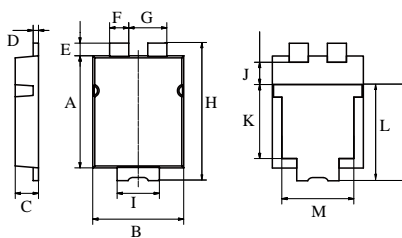
DIM	MILLIMETERS		INCHES	
	MIN	MAX	MIN	MAX
A	2.80	3.04	0.1102	0.1197
B	1.20	1.40	0.0472	0.0551
C	0.89	1.11	0.0350	0.0440
D	0.37	0.50	0.0150	0.0200
G	1.78	2.04	0.0701	0.0807
H	0.013	0.100	0.0005	0.0040
J	0.085	0.177	0.0034	0.0070
K	0.35	0.69	0.0140	0.0285
L	0.89	1.02	0.0350	0.0401
S	2.10	2.64	0.0830	0.1039
V	0.45	0.60	0.0177	0.0236

22. DFN2020-3



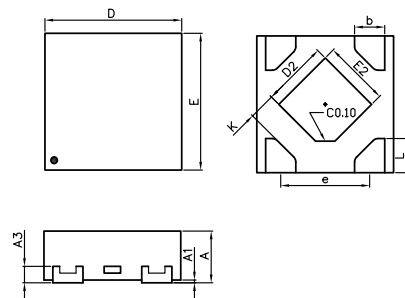
DIM	MILLIMETERS			INCHES		
	MIN.	TYP.	MAX.	MIN.	TYP.	MAX.
A	0.60	0.65	0.70	0.024	0.026	0.028
A1	0.00	0.02	0.05	0.000	0.001	0.002
A3	0.152REF			0.006REF		
D	1.95	2.00	2.05	0.077	0.079	0.081
E	1.95	2.00	2.05	0.077	0.079	0.081
D1	1.45	1.50	1.55	0.057	0.059	0.061
E1	0.95	1.00	1.05	0.037	0.039	0.041
b	0.25	0.30	0.35	0.010	0.012	0.014
e	1.30TYP.			0.051TYP		
k	0.20	0.25	0.30	0.008	0.010	0.012
L	0.35	0.40	0.45	0.014	0.016	0.018

23. TO-277A



DIM	MILLIMETERS		INCHES	
	MIN	MAX	MIN	MAX
A	5.04	5.57	0.1982	0.2191
B	4.09	4.52	0.1608	0.1778
C	1.05	1.16	0.0411	0.0455
D	0.24	0.26	0.0094	0.0103
E	0.57	0.63	0.0224	0.0248
F	0.86	0.95	0.0337	0.0372
G	1.71	1.89	0.0673	0.0744
H	6.18	6.83	0.2431	0.2687
I	1.90	2.10	0.0748	0.0827
J	0.95	1.05	0.0374	0.0413
K	3.33	3.68	0.1309	0.1447
L	4.32	4.78	0.1702	0.1881
M	3.23	3.57	0.1272	0.1406

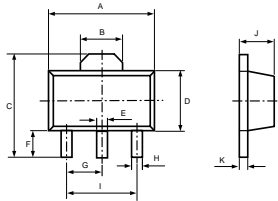
24. DFN1010



DIM	MILLIMETERS			INCHES		
	MIN	NOM	MAX	MIN	NOM	MAX
A	0.34	0.37	0.4	0.0134	0.0146	0.0157
A1	0.01	0.02	0.05	0.0004	0.0008	0.0020
b	0.17	0.22	0.25	0.0067	0.0087	0.0098
L	0.2	0.25	0.3	0.0079	0.0098	0.0118
D	0.95	1	1.05	0.0374	0.0394	0.0413
E	0.95	1	1.05	0.0374	0.0394	0.0413
D2	0.43	0.48	0.53	0.0169	0.0189	0.0209
E2	0.43	0.48	0.53	0.0169	0.0189	0.0209
K	0.15	-	-	0.0059	-	-
e	0.65			0.0256		
A3	0.127REF			0.005REF		

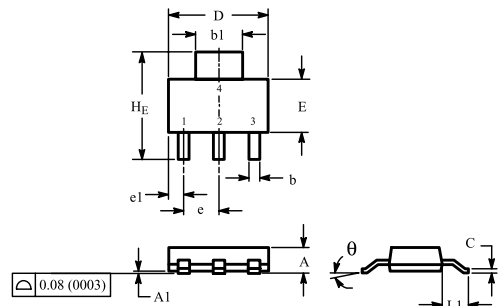


25. SOT-89-3L



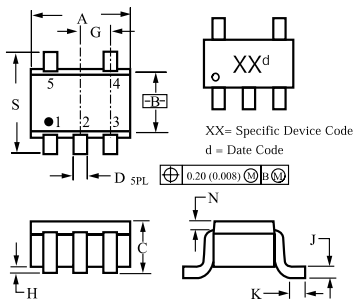
DIM	MILLIMETERS		INCHES	
	MIN	MAX	MIN	MAX
A	4.400	4.600	0.173	0.181
B	1.600	1.800	0.063	0.071
C	4.000	4.200	0.157	0.165
D	2.300	2.600	0.091	0.102
E	0.400	0.580	0.016	0.023
F	0.900	1.200	0.035	0.047
G	1.5TYP		0.06TYP	
H	0.320	0.520	0.013	0.020
I	3 TYP		0.118TYP	
J	1.400	1.600	0.055	0.063
K	0.350	0.440	0.014	0.017

26. SOT-223



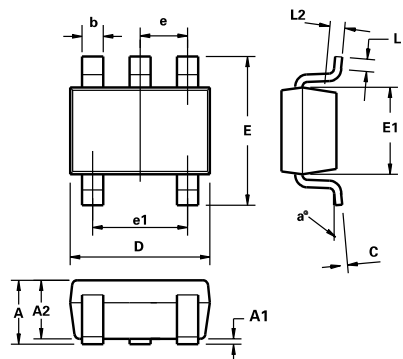
DIM	MILLIMETERS			INCHES		
	MIN	NOM	MAX	MIN	NOM	MAX
A	1.50	1.63	1.75	0.060	0.064	0.068
A ₁	0.02	0.06	0.10	0.001	0.002	0.004
b	0.60	0.75	0.89	0.024	0.030	0.035
b ₁	2.90	3.06	3.20	0.115	0.121	0.126
c	0.24	0.29	0.35	0.009	0.012	0.014
D	6.30	6.50	6.70	0.249	0.256	0.263
E	3.30	3.50	3.70	0.130	0.138	0.145
e	2.20	2.30	2.40	0.087	0.091	0.094
e ₁	0.85	0.94	1.05	0.033	0.037	0.041
L ₁	1.50	1.75	2.00	0.060	0.069	0.078
H _E	6.70	7.00	7.30	0.264	0.276	0.287
θ	0°	-	10°	0°	-	10°

27. SOT-353 /SC-88A



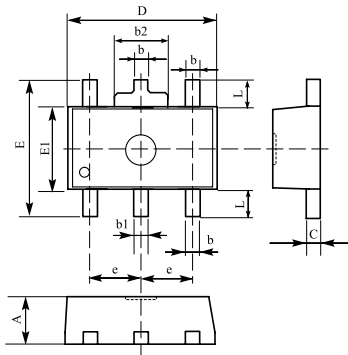
DIM	MILLIMETERS		INCHES	
	MIN	MAX	MIN	MAX
A	1.80	2.20	0.071	0.087
B	1.15	1.35	0.045	0.053
C	0.80	1.10	0.031	0.043
D	0.10	0.30	0.004	0.012
G	0.65 BSC		0.026 BSC	
H	-	0.10	-	0.004
J	0.10	0.25	0.004	0.010
K	0.10	0.30	0.004	0.012
N	0.20 REF		0.008 REF	
S	2.00	2.20	0.079	0.087

28. SOT-23-5



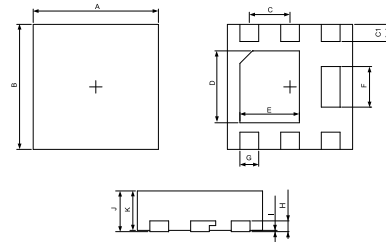
DIM	MILLIMETERS		INCHES	
	MIN	MAX	MIN	MAX
A1	0.00	0.10	0.0000	0.0039
A2	1.00	1.30	0.0390	0.0507
B	0.30	0.50	0.0117	0.0195
C	0.10	0.25	0.0004	0.0098
D	2.80	3.00	0.1092	0.1170
E	2.50	3.10	0.0975	0.1209
E1	1.50	1.80	0.0585	0.0702
e	0.95 BSC		0.0374 BSC	
e1	1.90 BSC		0.0748 BSC	
L	0.20	-	0.0078	-
L1	0.45	0.75	0.0175	0.0293

29. SOT-89-5



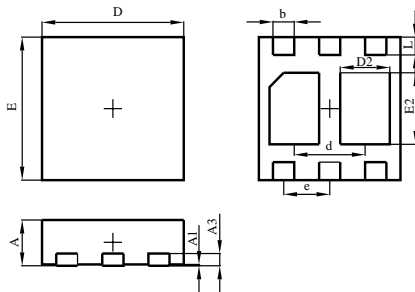
DIM	DIMENSIS IN MILLIMETERS		
	MIN	NOM	MAX
A	1.40	1.50	1.60
b	0.36	0.42	0.48
b1	0.41	0.47	0.53
b2	1.40	1.60	1.75
C	0.38	0.40	0.43
D	4.40	4.50	4.60
E	-	-	4.25
E1	2.40	2.50	2.60
e	1.40	1.50	1.60
L	0.80	-	-

30. DFN2020-6



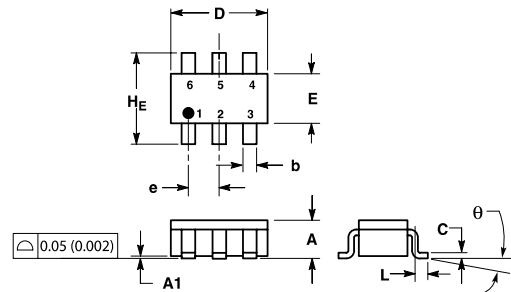
DIM	MILLIMETERS			INCHES		
	MIN	NOM	MAX	MIN	NOM	MAX
A	1.95	2.00	2.05	0.077	0.079	0.081
B	1.95	2.00	2.05	0.0768	0.079	0.081
C	0.65REF			0.026REF		
C1	0.22	0.28	0.93	0.009	0.011	0.037
D	1.10	1.15	1.20	0.043	0.045	0.047
E	0.90	0.95	1.00	0.035	0.037	0.039
F	0.60	0.65	0.70	0.024	0.026	0.028
G	0.25	0.30	0.35	0.010	0.012	0.014
H	0.152REF			0.006REF		
I	0.00	0.05	0.10	0.000	0.002	0.004
J	0.65MAX			0.026MAX		
K	0.59	0.62	0.65	0.023	0.024	0.026

31. DFN2020-6D



DIM	MILLIMETERS			INCHES		
	MIN	NOM	MAX	MIN	NOM	MAX
A	0.60	0.65	0.70	0.024	0.026	0.028
A1	0	0.02	0.05	0.000	0.001	0.002
A3	0.152REF			0.006REF		
b	0.25	0.30	0.35	0.010	0.012	0.014
D	1.95	2.00	2.05	0.077	0.079	0.081
d	1.00TYP			0.039TYP		
D2	0.65	0.70	0.75	0.026	0.028	0.030
E	1.95	2.00	2.05	0.077	0.079	0.081
E2	0.95	1.00	1.05	0.037	0.039	0.041
e	0.65TYP			0.026TYP		
L	0.20	0.25	0.30	0.008	0.010	0.012

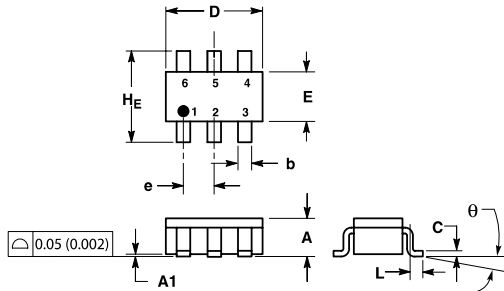
32. TSOP-6 / SOT23-6 / SOT26



DIM	MILLIMETERS			INCHES		
	MIN	NOM	MAX	MIN	NOM	MAX
A	0.90	1.00	1.10	0.035	0.039	0.043
A1	0.01	0.06	0.10	0.001	0.002	0.004
b	0.25	0.38	0.50	0.010	0.014	0.020
c	0.10	0.18	0.26	0.004	0.007	0.010
D	2.90	3.00	3.10	0.114	0.118	0.122
E	1.30	1.50	1.70	0.051	0.059	0.067
e	0.85	0.95	1.05	0.034	0.037	0.041
L	0.20	0.40	0.60	0.008	0.016	0.024
H _E	2.50	2.75	3.00	0.099	0.108	0.118
θ	0°	-	10°	0°	-	10°

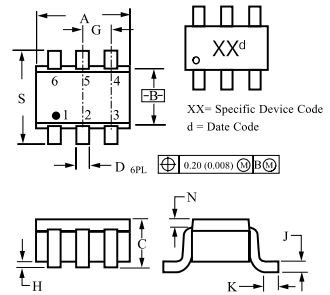


33. SC-74



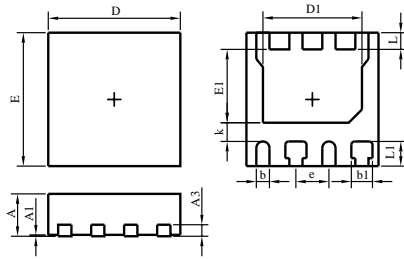
DIM	MILLIMETERS			INCHES		
	MIN	NOM	MAX	MIN	NOM	MAX
A	0.90	1.00	1.10	0.035	0.039	0.043
A1	0.01	0.06	0.10	0.001	0.002	0.004
b	0.25	0.37	0.50	0.010	0.015	0.020
c	0.10	0.18	0.26	0.004	0.007	0.010
D	2.90	3.00	3.10	0.114	0.118	0.122
E	1.30	1.50	1.70	0.051	0.059	0.067
e	0.85	0.95	1.05	0.034	0.037	0.041
L	0.20	0.40	0.60	0.008	0.016	0.024
HE	2.50	2.75	3.00	0.099	0.108	0.118
θ	0°	-	10°	0°	-	10°

34. SOT-363 /SC-88



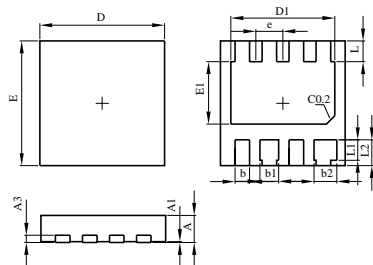
DIM	MILLIMETERS		INCHES	
	MIN	MAX	MIN	MAX
A	1.80	2.20	0.071	0.087
B	1.15	1.35	0.045	0.053
C	0.80	1.10	0.031	0.043
D	0.10	0.30	0.004	0.012
G	0.65 BSC		0.026 BSC	
H	-	0.10	-	0.004
J	0.10	0.25	0.004	0.010
K	0.10	0.30	0.004	0.012
N	0.20	REF	0.008	REF
S	2.00	2.20	0.079	0.087

35. DFN2020-8



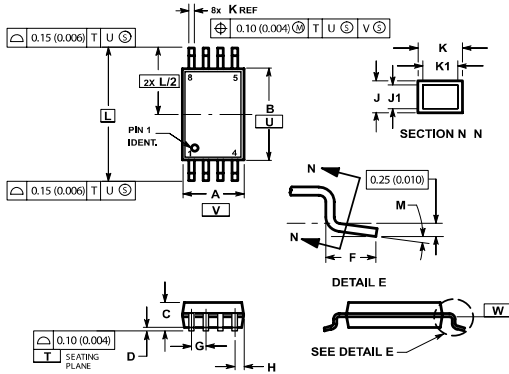
DIM	MILLIMETERS			INCHES		
	MIN	NOM	MAX	MIN	NOM	MAX
A	0.60	0.65	0.70	0.024	0.026	0.028
A1	0.01	0.03	0.05	0.000	0.001	0.002
A3	0.152REF			0.006REF		
b	0.15	0.20	0.25	0.006	0.008	0.010
b1	0.27	0.32	0.37	0.011	0.013	0.015
D	1.95	2.00	2.05	0.077	0.079	0.081
E	1.95	2.00	2.05	0.077	0.079	0.081
e	0.50TYP			0.020TYP		
L	0.20	0.25	0.30	0.008	0.010	0.012
L1	0.32	0.37	0.42	0.013	0.015	0.017
D1	1.45	1.50	1.55	0.057	0.059	0.061
E1	1.05	1.10	1.15	0.041	0.043	0.045
k	0.20MIN			0.008MIN		

36. DFN3030-8



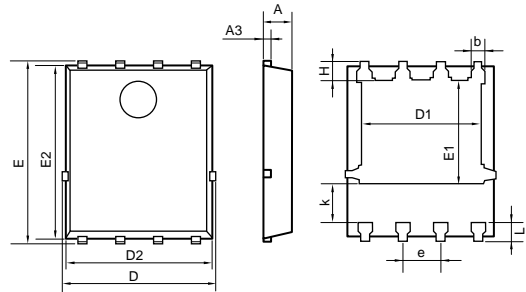
DIM	MILLIMETERS			INCHES		
	MIN	NOM	MAX	MIN	NOM	MAX
A	0.60	0.65	0.70	0.024	0.026	0.028
A1	0.00	0.03	0.05	0.000	0.001	0.002
b	0.30	0.35	0.40	0.012	0.014	0.016
b1	0.40	0.45	0.50	0.016	0.018	0.020
b2	0.50	0.55	0.60	0.020	0.022	0.024
D	2.95	3.00	3.05	0.116	0.118	0.120
E	2.95	3.00	3.05	0.116	0.118	0.120
D1	2.45	2.50	2.55	0.096	0.098	0.100
E1	1.45	1.50	1.55	0.057	0.059	0.061
e	0.65BSC			0.026BSC		
L	0.45	0.50	0.55	0.018	0.020	0.022
L1	0.44	0.49	0.54	0.017	0.019	0.021
L2	0.57	0.62	0.67	0.022	0.024	0.026
A3	0.152REF			0.006REF		

37. TSSOP-8



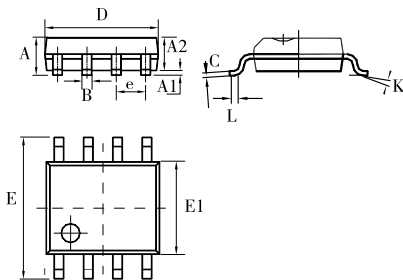
DIM	MILLIMETERS		INCHES	
	MIN	MAX	MIN	MAX
A	2.90	3.10	0.114	0.122
B	4.30	4.50	0.169	0.177
C	-	1.20	-	0.047
D	0.05	0.15	0.002	0.006
F	0.50	0.75	0.020	0.030
G	0.65 BSC		0.026 BSC	
H	0.50	0.60	0.020	0.024
J	0.09	0.20	0.004	0.008
J1	0.09	0.16	0.004	0.006
K	0.19	0.30	0.007	0.012
K1	0.19	0.25	0.007	0.010
L	6.40 BSC		0.252 BSC	
M	0°	8°	0°	8°

38. DFN5060



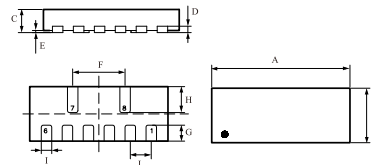
DIM	MILLIMETERS			INCHES		
	MIN	NOM	MAX	MIN	NOM	MAX
A	0.9	0.95	1	0.035	0.037	0.039
A3	0.254REF			0.01REF		
D	4.9	5	5.1	0.193	0.197	0.201
E	5.9	6	6.1	0.232	0.236	0.240
D1	3.75	3.95	4.15	0.148	0.156	0.163
E1	3.3	3.4	3.6	0.130	0.134	0.142
D2	4.8	4.9	5	0.189	0.193	0.197
E2	5.65	5.75	5.85	0.222	0.226	0.230
k	1.2	1.35	1.5	0.047	0.053	0.059
b	0.35	0.4	0.45	0.014	0.016	0.018
e	1.22	1.27	1.32	0.048	0.050	0.052
L	0.51	0.61	0.71	0.020	0.024	0.028
H	0.51	0.61	0.71	0.020	0.024	0.028

39. SOP-8



DIM	MILLIMETERS			INCHES		
	MIN	NOM	MAX	MIN	NOM	MAX
A	-	-	1.75	-	-	0.6830
A1	0.10	-	0.25	0.0039	-	0.0098
A2	1.35	1.55	1.75	0.0527	0.0605	0.0683
B	0.35	0.42	0.49	0.0137	0.0164	0.0191
C	0.19	-	0.25	0.0074	-	0.0098
D	4.80	4.90	5.00	0.1872	0.1911	0.1950
E	5.80	6.00	6.20	0.2262	0.2340	0.2418
E1	3.80	3.95	4.00	0.1482	0.1541	0.1560
e	-	1.27	-	-	0.0495	-
L	0.40	-	0.90	0.0156	-	0.0351
K	0°	-	8°	0°	-	8°

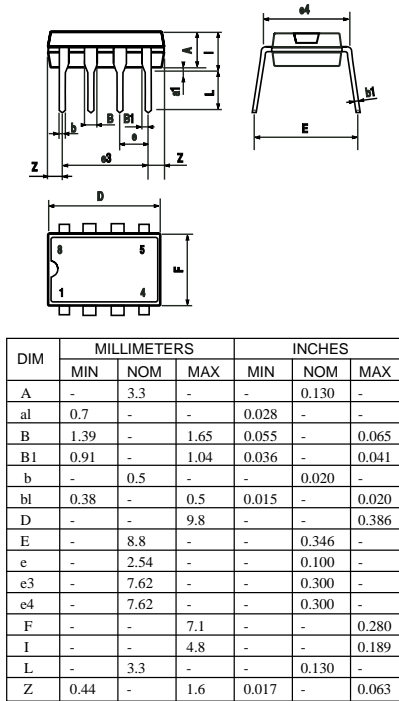
40. DFN3313



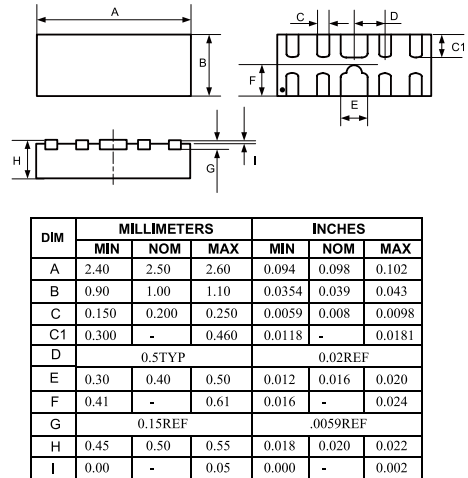
DIM	MILLIMETERS		INCHES	
	MIN	MAX	MIN	MAX
A	3.25	3.38	0.1280	0.1330
B	1.25	1.38	0.0490	0.0540
C	0.50	0.60	0.0197	0.0236
D	0.152REF		0.0060REF	
E	0.00	0.05	0.00	0.0020
F	1.25BSC		0.049BSC	
G	0.30	0.43	0.0120	0.0170
H	0.54	0.67	0.0210	0.0260
I	0.20	0.30	0.0080	0.0120
J	0.50BSC		0.0197BSC	



41. DIP-8



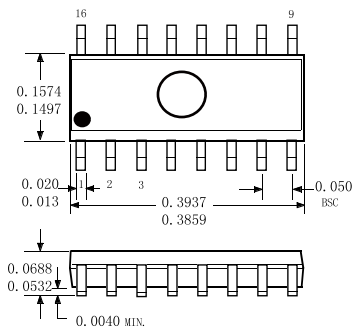
42. DFN-10



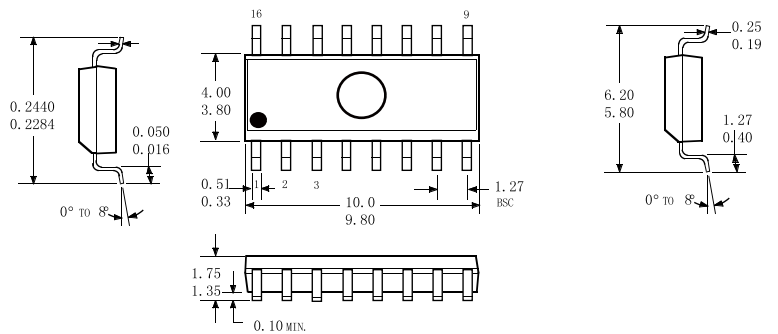
43. SOP-16

PACKAGE DESIGNATOR "L"

Dimensions in Inches
(for reference only)

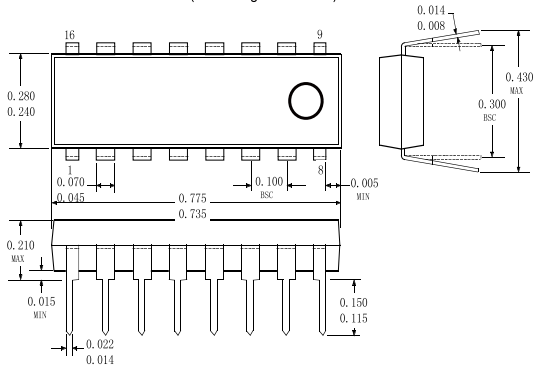


Dimension in Millimeters
(controlling dimensions)

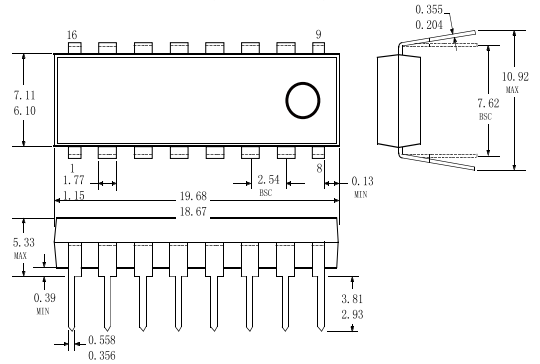


44. DIP-16

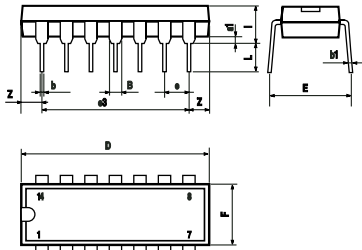
PACKAGE DESIGNATOR "A"
Dimensions in Inches
(controlling dimensions)



Dimension in Millimeters
(for reference only)

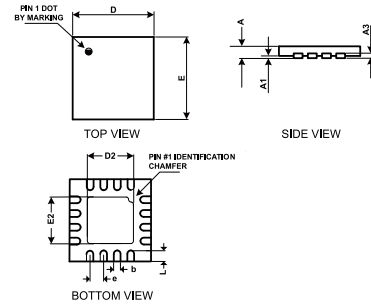


45. DIP-14



DIM	MILLIMETERS			INCHES		
	MIN	NOM	MAX	MIN	NOM	MAX
a1	0.51	-	-	0.020	-	-
B	1.39	-	1.65	0.055	-	0.065
b	-	0.5	-	-	0.020	-
bl	-	0.25	-	-	0.010	-
D	-	-	20	-	-	0.787
E	-	8.5	-	-	0.335	-
e	-	2.54	-	-	0.100	-
e3	-	15.24	-	-	0.600	-
F	-	-	7.1	-	-	0.280
I	-	-	5.1	-	-	0.201
L	-	3.3	-	-	0.130	-
Z	1.27	-	2.54	0.050	-	0.100

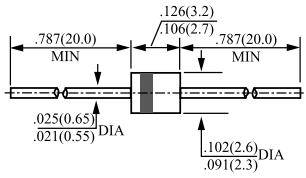
46. QFN-16



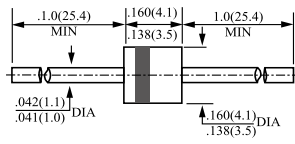
DIM	MILLIMETERS			INCHES		
	MIN	NOM	MAX	MIN	NOM	MAX
A	0.7	0.75	0.8	0.028	0.030	0.031
A1	0	-	0.05	0.000	-	0.002
A3	0.2 REF			0.008REF		
D	2.95	3	3.05	0.116	0.118	0.120
E	2.95	3	3.05	0.116	0.118	0.120
b	0.18	0.25	0.3	0.007	0.010	0.012
L	0.3	0.4	0.5	0.012	0.016	0.020
D2	1.55	1.7	1.8	0.061	0.067	0.071
E2	1.55	1.7	1.8	0.061	0.067	0.071
e	0.5 BSC			0.02BSC		



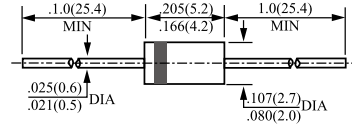
47. PLASTIC SEALED AXIAL PACKAGES



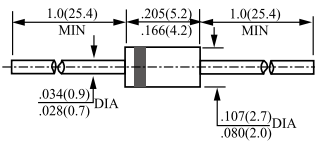
R-1
in(mm)



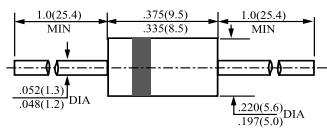
R-3
in(mm)



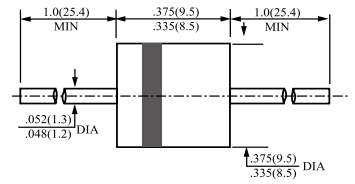
A-405
in(mm)



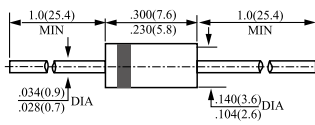
DO-41
in(mm)



DO-201AD
in(mm)

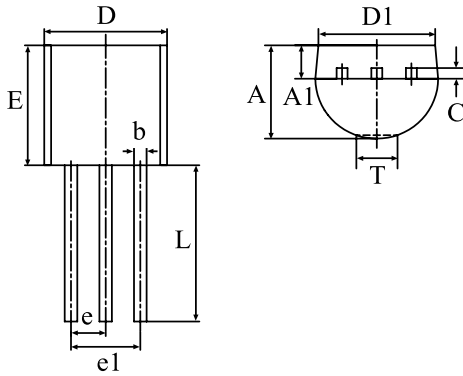


R-6
in(mm)



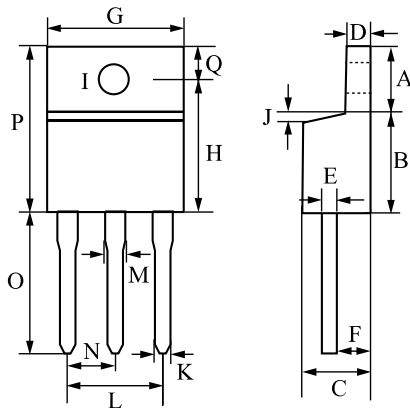
DO-15
in(mm)

48. TO-92



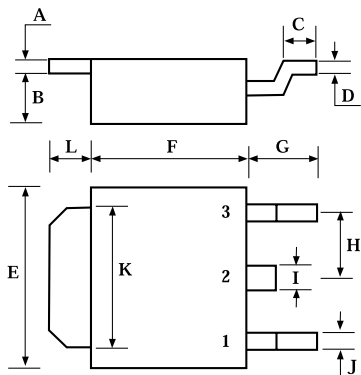
DIM	MILLIMETERS		INCHES	
	MIN	MAX	MIN	MAX
A	3.300	3.700	0.130	0.146
A ₁	1.100	1.400	0.043	0.055
b	0.380	0.550	0.015	0.022
c	0.360	0.510	0.014	0.020
D	4.400	4.700	0.173	0.185
D ₁	3.430	-	0.135	-
E	1.270TYP		0.050TYP	
e	4.300	4.700	0.169	0.185
e ₁	2.440	2.640	0.096	0.104
L	14.100	14.500	0.555	0.571
O	-	1.600	-	0.063
T	0.000	0.380	0.000	0.015

49. TO-220



DIM	MILLIMETERS			INCHES		
	MIN	NOM	MAX	MIN	NOM	MAX
A	5.58	6.54	7.49	0.220	0.257	0.295
B	8.38	8.64	8.90	0.330	0.340	0.350
C	4.07	4.45	4.82	0.160	0.175	0.190
D	1.15	1.27	1.39	0.045	0.050	0.055
E	0.35	0.45	0.60	0.014	0.018	0.024
F	2.04	2.42	2.79	0.080	0.095	0.110
G	9.66	9.97	10.28	0.380	0.393	0.405
H	-	16.25	-	-	0.640	-
I	3.68	3.83	3.98	0.145	0.151	0.157
J	-	-	1.27	-	-	0.050
K	0.75	0.85	0.95	0.030	0.033	0.037
L	4.83	5.08	5.33	0.190	0.200	0.210
M	1.15	1.33	1.52	0.045	0.052	0.060
N	2.42	2.54	2.66	0.095	0.100	0.105
O	12.70	13.48	14.27	0.500	0.531	0.562
P	14.48	15.17	15.87	0.570	0.597	0.625
Q	2.54	2.79	3.04	0.100	0.110	0.120

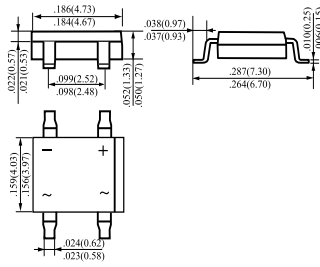
50. TO-252



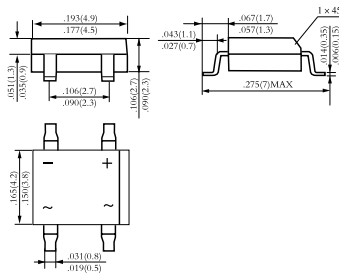
DIM	MILLIMETERS		INCHES	
	MIN	MAX	MIN	MAX
A	0.45	0.55	0.0176	0.0215
B	1.65	1.95	0.0644	0.0761
C	0.90	1.50	0.0351	0.0585
D	0.45	0.60	0.0176	0.0234
E	6.40	6.80	0.2496	0.2652
F	5.20	5.60	0.2028	0.2184
G	2.20	2.80	0.0858	0.1092
H	-	2.30	-	0.0897
I	-	0.90	-	0.0351
J	-	0.80	-	0.0312
K	5.20	5.50	0.2028	0.2145
L	1.40	1.60	0.0546	0.0624



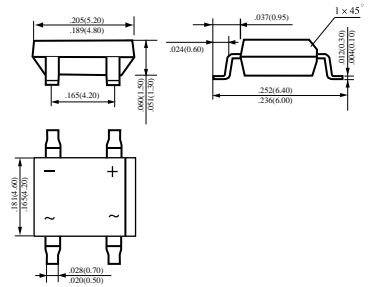
51. TBS



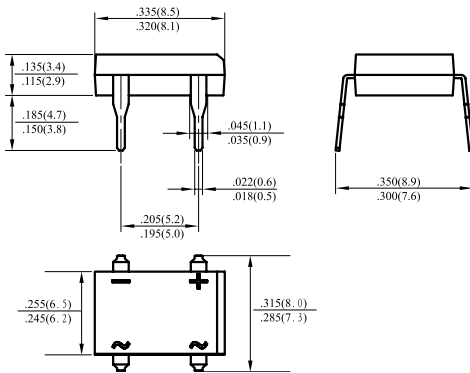
52. Mini DB



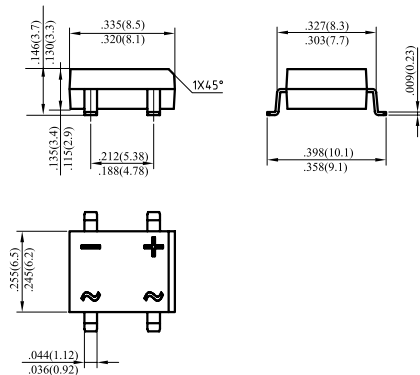
53. ABS



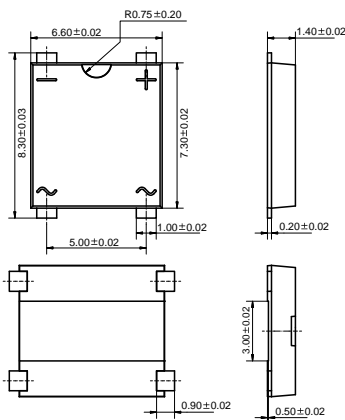
54. DB



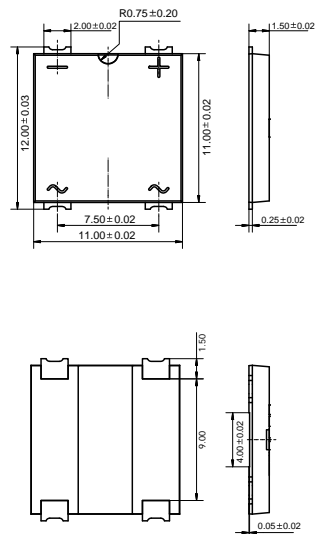
55. DBS



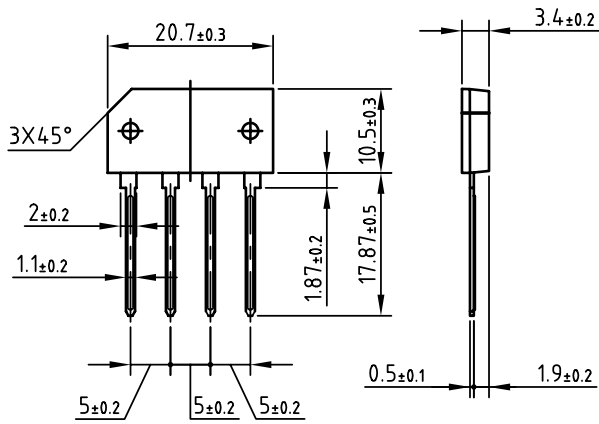
56. STSB



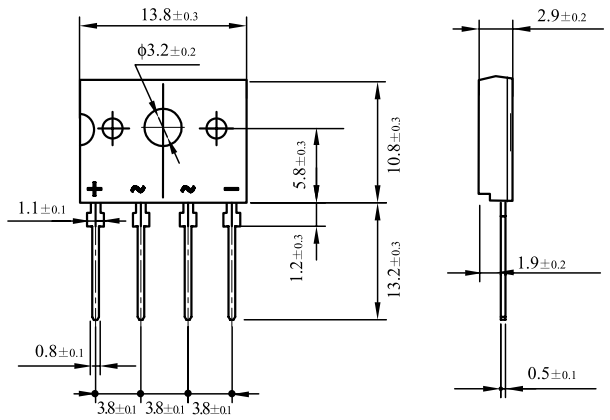
57. TSB



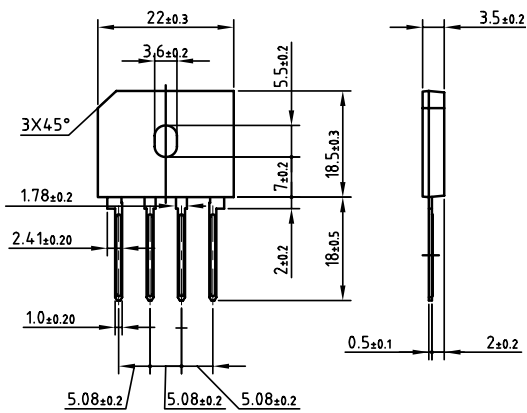
58. GBL



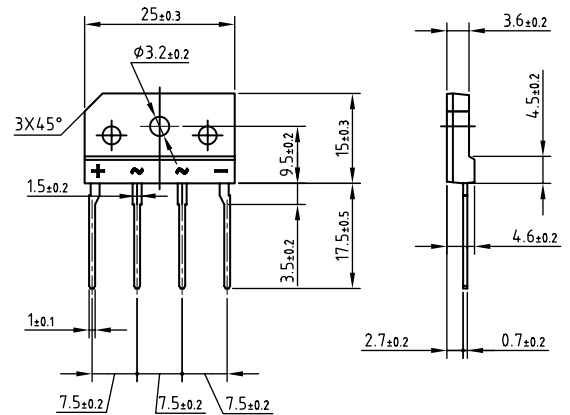
59. DKB/KBP



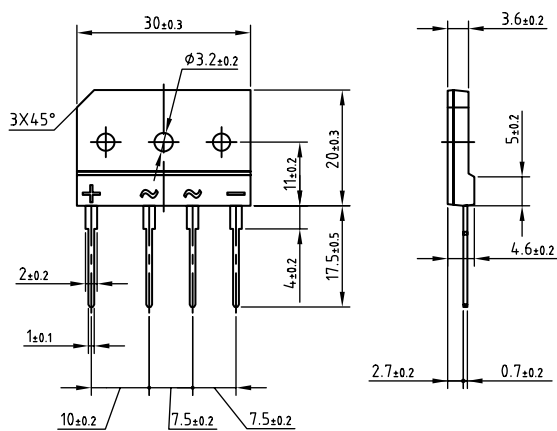
60. GBU



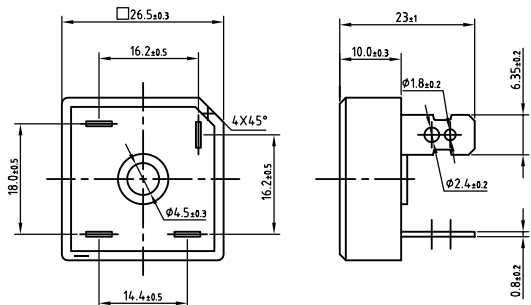
61. D3/KBJ



62. D5

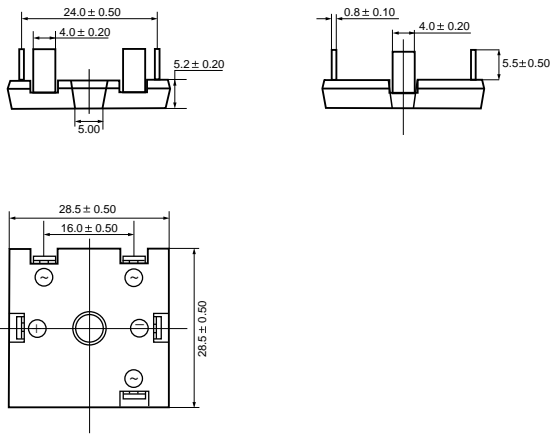


63. S15

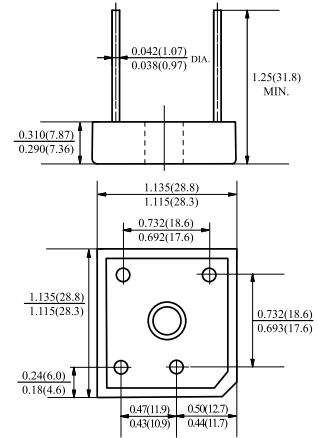




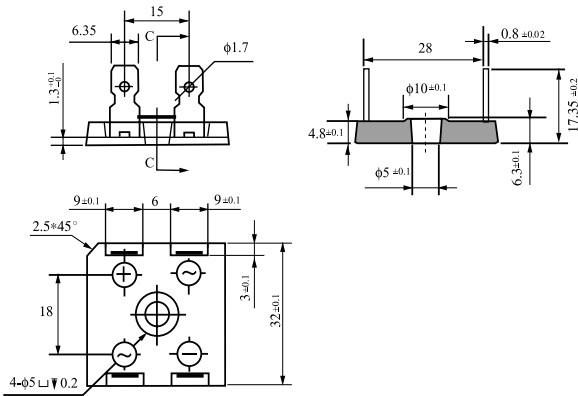
64. PSD3516M



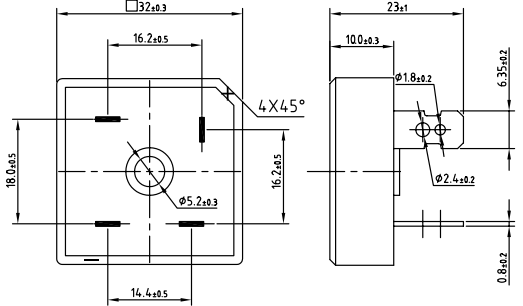
65. S15W~MP35W



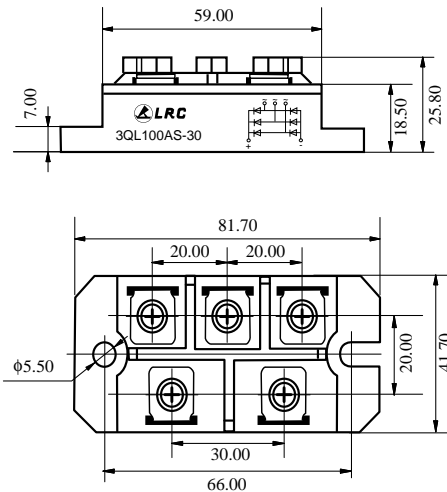
66. S15M~MP50M



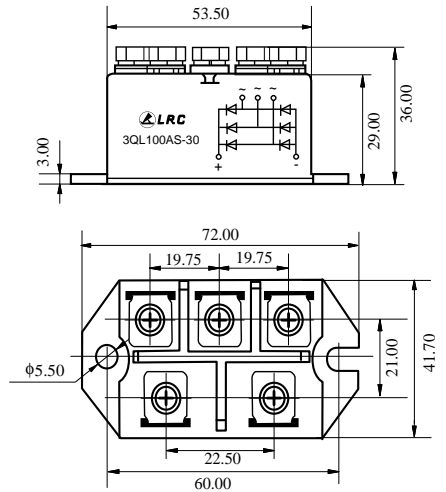
67. S25~MP50



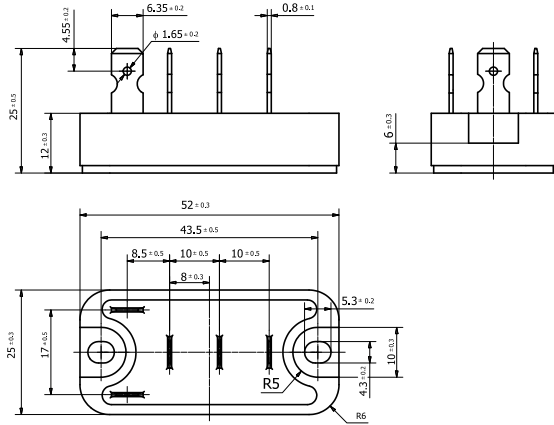
68. 3QL-25



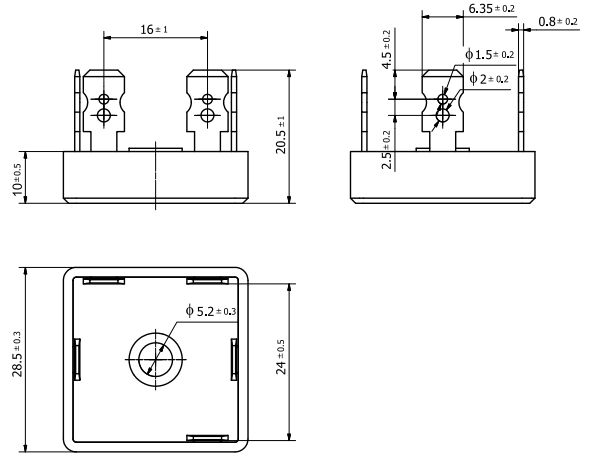
69. 3QL-36



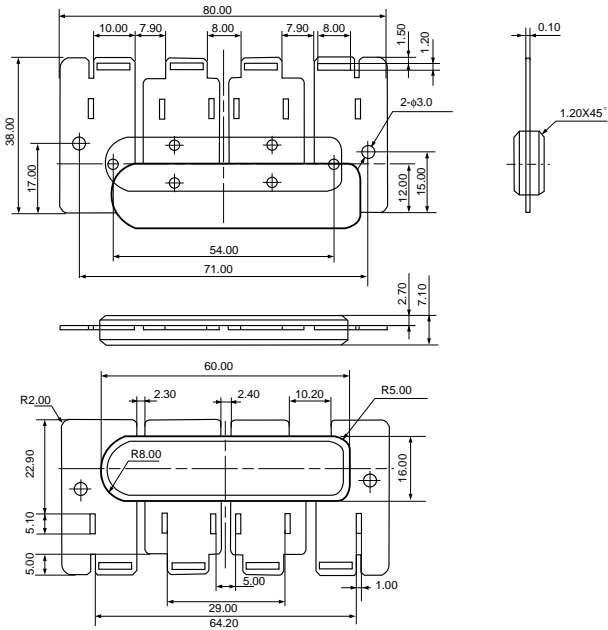
70. DF



71. PSD



72. SSM





DEVICE

Device	Page	Device	Page	Device	Page	Device	Page
1.5KE100	60	1.5KE250C	61	1.5KE62	60	1N4001G	40
1.5KE100A	61	1.5KE250CA	61	1.5KE62A	60	1N4002G	40
1.5KE100C	60	1.5KE300	61	1.5KE62C	60	1N4003G	40
1.5KE100CA	61	1.5KE300A	61	1.5KE62CA	60	1N4004G	40
1.5KE110	61	1.5KE300C	61	1.5KE68	60	1N4005G	40
1.5KE110A	61	1.5KE300CA	61	1.5KE68A	60	1N4006G	40
1.5KE110C	61	1.5KE350	61	1.5KE68C	60	1N4007G	40
1.5KE110CA	61	1.5KE350A	61	1.5KE68CA	60	1N4733AM	31
1.5KE120	61	1.5KE350C	61	1.5KE75	60	1N4734AM	31
1.5KE120A	61	1.5KE350CA	61	1.5KE75A	60	1N4735AM	31
1.5KE120C	61	1.5KE36	60	1.5KE75C	60	1N4736AM	31
1.5KE120CA	61	1.5KE36A	60	1.5KE75CA	60	1N4737AM	31
1.5KE130	61	1.5KE36C	60	1.5KE82	60	1N4738AM	31
1.5KE130A	61	1.5KE36CA	60	1.5KE82A	60	1N4739AM	31
1.5KE130C	61	1.5KE39	60	1.5KE82C	60	1N4740AM	31
1.5KE130CA	61	1.5KE39A	60	1.5KE82CA	60	1N4741AM	31
1.5KE150	61	1.5KE39C	60	1.5KE91	60	1N4742AM	31
1.5KE150A	61	1.5KE39CA	60	1.5KE91A	60	1N4743AM	31
1.5KE150C	61	1.5KE400	61	1.5KE91C	60	1N4744AM	31
1.5KE150CA	61	1.5KE400A	61	1.5KE91CA	60	1N4745AM	31
1.5KE160	61	1.5KE400C	61	1E1G	43	1N4746AM	31
1.5KE160A	61	1.5KE400CA	61	1E2AG	43	1N4747AM	31
1.5KE160C	61	1.5KE43	60	1E2G	43	1N4748AM	31
1.5KE160CA	61	1.5KE43A	60	1E3AG	43	1N4749AM	31
1.5KE170	61	1.5KE43C	60	1E3G	43	1N4750AM	31
1.5KE170A	61	1.5KE43CA	60	1E4G	43	1N4751AM	31
1.5KE170C	61	1.5KE440	61	1E5G	43	1N4752AM	31
1.5KE170CA	61	1.5KE440A	61	1F1G	42	1N4753AM	31
1.5KE180	61	1.5KE440C	61	1F2G	42	1N4754AM	31
1.5KE180A	61	1.5KE440CA	61	1F3G	42	1N4755AM	31
1.5KE180C	61	1.5KE47	60	1F4G	42	1N4756AM	31
1.5KE180CA	61	1.5KE47A	60	1F5G	42	1N4757AM	31
1.5KE200	61	1.5KE47C	60	1F6G	42	1N4758AM	31
1.5KE200A	61	1.5KE47CA	60	1F7G	42	1N4759AM	31
1.5KE200C	61	1.5KE51	60	1H1G	42	1N4760AM	31
1.5KE200CA	61	1.5KE51A	60	1H2G	42	1N4761AM	31
1.5KE220	61	1.5KE51C	60	1H3G	42	1N4762AM	31
1.5KE220A	61	1.5KE51CA	60	1H4G	42	1N4763AM	31
1.5KE220C	61	1.5KE56	60	1H5G	42	1N4764AM	31
1.5KE220CA	61	1.5KE56A	60	1H6G	42	1N4933G	41
1.5KE250	61	1.5KE56C	60	1H7G	43	1N4934G	41
1.5KE250A	61	1.5KE56CA	60	1H8G	43	1N4935G	41

Device	Page	Device	Page	Device	Page	Device	Page
1N4936G.....	41	3QL50AS.....	103	D20SB100LD.....	107	D35SB60.....	98
1N4937G.....	41	3QL60AK.....	103	D20SB10LD.....	107	D35SB60LD.....	107
1N4942G.....	41	3QL60AM.....	103	D20SB20.....	97	D35SB60LM.....	108
1N4944G.....	41	3QL60AO.....	103	D20SB20LD.....	107	D35SB80.....	98
1N4946G.....	41	3QL60AS.....	103	D20SB40.....	97	D35SB80LD.....	107
1N4947G.....	41	3QL75AK.....	103	D20SB40LD.....	107	D35SB80LM.....	108
1N4948G.....	41	3QL75AM.....	103	D20SB60.....	97	D3KB10.....	93
1N5391G.....	43	3QL75AO.....	103	D20SB60LD.....	107	D3KB100.....	93
1N5392G.....	43	3QL75AS.....	103	D20SB80.....	97	D3KB20.....	93
1N5393G.....	43	ABS201.....	85	D20SB80LD.....	107	D3KB40.....	93
1N5394G.....	43	ABS202.....	85	D25SB10.....	98	D3KB60.....	93
1N5395G.....	43	ABS204.....	85	D25SB100.....	98	D3KB80.....	93
1N5396G.....	43	ABS206.....	85	D25SB100LD.....	107	D3SB10.....	96
1N5397G.....	43	ABS208.....	85	D25SB100LM.....	108	D3SB100.....	96
1N5398G.....	43	ABS210.....	85	D25SB10LD.....	107	D3SB20.....	96
1N5399G.....	43	B10S.....	84	D25SB10LM.....	108	D3SB40.....	96
1N5400G.....	45	B10SS.....	84	D25SB20.....	98	D3SB60.....	96
1N5401G.....	45	B1S.....	84	D25SB20LD.....	107	D3SB80.....	96
1N5402G.....	45	B2S.....	84	D25SB20LM.....	108	D4KB10.....	93
1N5403G.....	45	B4S.....	84	D25SB40.....	98	D4KB100.....	93
1N5404G.....	45	B6S.....	84	D25SB40LD.....	107	D4KB20.....	93
1N5405G.....	45	B8S.....	84	D25SB40LM.....	108	D4KB40.....	93
1N5406G.....	45	BA157G.....	41	D25SB60.....	98	D4KB60.....	93
1N5407G.....	45	BA158G.....	41	D25SB60LD.....	107	D4KB80.....	93
1N5408G.....	45	BA159DG.....	41	D25SB60LM.....	108	D4SB10.....	96
1N5817.....	5	BA159G.....	41	D25SB80.....	98	D4SB100.....	96
1N5818.....	5	D10SB10.....	97	D25SB80LD.....	107	D4SB20.....	96
1N5819.....	5	D10SB100.....	97	D25SB80LM.....	108	D4SB40.....	96
1N5820.....	8	D10SB20.....	97	D2KB10.....	93	D4SB60.....	96
1N5821.....	8	D10SB40.....	97	D2KB100.....	93	D4SB80.....	96
1N5822.....	8	D10SB60.....	97	D2KB20.....	93	D50SB10.....	98
3QL100AK.....	103	D10SB80.....	97	D2KB40.....	93	D50SB100.....	98
3QL100AM.....	103	D15SB10.....	97	D2KB60.....	93	D50SB100LD.....	107
3QL100AO.....	103	D15SB100.....	97	D2KB80.....	93	D50SB100LM.....	108
3QL100AS.....	103	D15SB100LD.....	107	D35SB10.....	98	D50SB10LD.....	107
3QL150AK.....	103	D15SB10LD.....	107	D35SB100.....	98	D50SB10LM.....	108
3QL150AM.....	103	D15SB20.....	97	D35SB100LD.....	107	D50SB20.....	98
3QL150AO.....	103	D15SB20LD.....	107	D35SB100LM.....	108	D50SB20LD.....	107
3QL150AS.....	103	D15SB40.....	97	D35SB10LD.....	107	D50SB20LM.....	108
3QL200AK.....	103	D15SB40LD.....	107	D35SB10LM.....	108	D50SB40.....	98
3QL200AM.....	103	D15SB60.....	97	D35SB20.....	98	D50SB40LD.....	107
3QL200AO.....	103	D15SB60LD.....	107	D35SB20LD.....	107	D50SB40LM.....	108
3QL200AS.....	104	D15SB80.....	97	D35SB20LM.....	108	D50SB60.....	98
3QL50AK.....	103	D15SB80LD.....	107	D35SB40.....	98	D50SB60LD.....	107
3QL50AM.....	103	D20SB10.....	97	D35SB40LD.....	107	D50SB60LM.....	108
3QL50AO.....	103	D20SB100.....	97	D35SB40LM.....	108	D50SB80.....	98



Device	Page	Device	Page	Device	Page	Device	Page
D50SB80LD	107	DB206	91	EFMB207	37	EGP30F	46
D50SB80LM	108	DB206S	91	EFMB208	37	EGP30G	46
D5SB10	97	DB207	91	EFMB310	38	EGP30J	46
D5SB100	97	DB207S	91	EFMB320	38	EGP30K	46
D5SB20	97	DF30DB120	104	EFMB330	38	EGP30M	46
D5SB40	97	DF30DB160	104	EFMB340	38	FFM101	34
D5SB60	97	DF30DB40	104	EFMB350	38	FFM102	34
D5SB80	97	DF30DB80	104	EFMB360	38	FFM103	34
D8SB10	97	EFM101	34	EFMB370	38	FFM104	34
D8SB100	97	EFM102	34	EFMB380	38	FFM105	34
D8SB20	97	EFM103	34	EFMBF201	37	FFM106	34
D8SB40	97	EFM104	34	EFMBF202	38	FFM107	34
D8SB60	97	EFM105	34	EFMBF203	38	FFMA202	35
D8SB80	97	EFM106	34	EFMBF204	38	FFMA203	35
DB102	90	EFM107	34	EFMBF205	38	FFMA204	35
DB102S	90	EFM108	34	EFMBF206	38	FFMA205	35
DB103	90	EFMA210	36	EFMBF207	38	FFMA206	35
DB103S	90	EFMA220	36	EFMBF208	38	FFMA207	35
DB104	90	EFMA230	36	EFMBF310	38	FFMAF101	34
DB104S	90	EFMA240	36	EFMBF320	38	FFMAF102	34
DB105	90	EFMA250	37	EFMBF330	38	FFMAF103	34
DB105S	90	EFMA260	37	EFMBF340	38	FFMAF104	34
DB106	90	EFMA270	37	EFMBF350	38	FFMAF105	34
DB106S	90	EFMA280	37	EFMBF360	38	FFMAF106	34
DB107	90	EFMAF101	34	EFMBF370	38	FFMAF107	34
DB107S	90	EFMAF102	34	EFMBF380	38	FFMAF201	36
DB152	91	EFMAF103	35	EGP10A	42	FFMAF202	36
DB152S	91	EFMAF104	35	EGP10B	42	FFMAF203	36
DB153	91	EFMAF105	35	EGP10D	42	FFMAF204	36
DB153S	91	EFMAF106	35	EGP10G	42	FFMAF205	36
DB154	91	EFMAF107	35	EGP10J	42	FFMAF206	36
DB154S	91	EFMAF108	35	EGP10K	42	FFMAF207	36
DB155	91	EFMAF210	37	EGP10M	42	FFMAF207L	36
DB155S	91	EFMAF220	37	EGP15A	44	FFMAF207P	36
DB156	91	EFMAF230	37	EGP15B	44	FFMAF207T	36
DB156S	91	EFMAF240	37	EGP15C	44	FM401	33
DB157	91	EFMAF250	37	EGP15D	44	FM402	33
DB157S	91	EFMAF260	37	EGP15F	44	FM403	33
DB202	91	EFMAF270	37	EGP15G	44	FM404	33
DB202S	91	EFMAF280	37	EGP15J	44	FM405	33
DB203	91	EFMB201	37	EGP15K	44	FM406	33
DB203S	91	EFMB202	37	EGP15M	44	FM407	33
DB204	91	EFMB203	37	EGP30A	46	FM4933	34
DB204S	91	EFMB204	37	EGP30B	46	FM4934	34
DB205	91	EFMB205	37	EGP30C	46	FM4935	34
DB205S	91	EFMB206	37	EGP30D	46	FM4936	34

Device	Page	Device	Page	Device	Page	Device	Page
FM4937.....	34	GBL208.....	92	GBU8G.....	94	HFMAF102.....	35
FMAF201.....	36	GBL210.....	92	GBU8J.....	94	HFMAF103.....	35
FMAF202.....	36	GBL401.....	92	GBU8K.....	94	HFMAF104.....	35
FMAF203.....	36	GBL402.....	92	GBU8M.....	94	HFMAF105.....	35
FMAF204.....	36	GBL404.....	92	HER101G.....	41	HFMAF106.....	35
FMAF205.....	36	GBL406.....	92	HER102G.....	41	HFMAF107.....	35
FMAF206.....	36	GBL408.....	92	HER103G.....	41	HFMAF108.....	35
FMAF207.....	36	GBL410.....	92	HER104G.....	41	HFMAF109.....	35
FMAF401.....	35	GBU10B.....	94	HER105G.....	41	HFMAF210.....	35
FMAF402.....	35	GBU10D.....	94	HER106G.....	41	HFMAF220.....	35
FMAF403.....	35	GBU10G.....	94	HER107G.....	41	HFMAF230.....	36
FMAF404.....	35	GBU10J.....	94	HER108G.....	41	HFMAF240.....	36
FMAF405.....	35	GBU10K.....	94	HER201G.....	44	HFMAF250.....	36
FMAF406.....	35	GBU10M.....	94	HER202G.....	44	HFMAF260.....	36
FMAF407.....	35	GBU15B.....	95	HER203G.....	44	HFMAF270.....	36
FR101G.....	40	GBU15D.....	95	HER204G.....	44	HFMAF280.....	36
FR102G.....	40	GBU15G.....	95	HER205G.....	44	HFMAF290.....	36
FR103G.....	40	GBU15J.....	95	HER206G.....	44	HFMB201.....	38
FR104G.....	40	GBU15K.....	95	HER207G.....	44	HFMB202.....	38
FR105G.....	40	GBU15M.....	95	HER208G.....	44	HFMB203.....	38
FR105PG.....	40	GBU20B.....	95	HER301G.....	45	HFMB204.....	38
FR106G.....	40	GBU20D.....	95	HER302G.....	45	HFMB205.....	38
FR107G.....	40	GBU20G.....	95	HER303G.....	45	HFMB206.....	38
FR107PG.....	40	GBU20J.....	95	HER304G.....	45	HFMB207.....	38
FR151G.....	43	GBU20K.....	95	HER305G.....	45	HFMB208.....	38
FR152G.....	43	GBU20M.....	95	HER306G.....	45	HFMBF201.....	38
FR153G.....	43	GBU25B.....	95	HER307G.....	45	HFMBF202.....	38
FR154G.....	43	GBU25D.....	95	HER308G.....	45	HFMBF203.....	38
FR155G.....	43	GBU25G.....	95	HFM101.....	34	HFMBF204.....	38
FR155PG.....	43	GBU25J.....	95	HFM102.....	34	HFMBF205.....	38
FR156G.....	43	GBU25K.....	95	HFM103.....	34	HFMBF206.....	38
FR157G.....	43	GBU25M.....	95	HFM104.....	34	HFMBF207.....	39
FR157PG.....	43	GBU4B.....	94	HFM105.....	34	HFMBF208.....	39
FR301G.....	45	GBU4D.....	94	HFM106.....	34	KBJ10B.....	96
FR302G.....	45	GBU4G.....	94	HFM107.....	34	KBJ10D.....	96
FR303G.....	45	GBU4J.....	94	HFM108.....	34	KBJ10G.....	96
FR304G.....	45	GBU4K.....	94	HFMA210.....	36	KBJ10J.....	96
FR305G.....	45	GBU4M.....	94	HFMA220.....	36	KBJ10K.....	96
FR305PG.....	45	GBU6B.....	94	HFMA230.....	36	KBJ10M.....	96
FR306G.....	45	GBU6D.....	94	HFMA240.....	36	KBJ8B.....	96
FR307G.....	45	GBU6G.....	94	HFMA250.....	36	KBJ8D.....	96
FR307PG.....	45	GBU6J.....	94	HFMA260.....	36	KBJ8G.....	96
GBL201.....	92	GBU6K.....	94	HFMA270.....	36	KBJ8J.....	96
GBL202.....	92	GBU6M.....	94	HFMA280.....	36	KBJ8K.....	96
GBL204.....	92	GBU8B.....	94	HFMA290.....	36	KBJ8M.....	96
GBL206.....	92	GBU8D.....	94	HFMAF101.....	35	L1N4148FT1G.....	1



Device	Page	Device	Page	Device	Page	Device	Page
L1N4148WT1G	1	L2SB1197KRLT1G	70	L74VHC1G00.....	114	L9012SLT1G	70
L1SS181LT1G	2	L2SC1623QLT1G.....	69	L74VHC1G01.....	114	L9013PLT1G	70
L1SS184LT1G	2	L2SC1623RLT1G.....	69	L74VHC1G02.....	114	L9013QLT1G.....	70
L1SS226LT1G	2	L2SC1623SLT1G.....	69	L74VHC1G03.....	114	L9013RLT1G.....	70
L1SS355T1G	1	L2SC1623SWT1G.....	67	L74VHC1G04.....	114	L9013SLT1G	70
L1SS356T1G	1	L2SC2411KQLT1G	70	L74VHC1G05.....	114	L9014QLT1G.....	68
L1SS360TT1G.....	2	L2SC2411KRLT1G	70	L74VHC1G07.....	114	L9014RLT1G.....	68
L1SS400AST5G	1	L2SC2412KQLT1G.....	69	L74VHC1G08.....	114	L9014SLT1G	68
L1SS400BST5G	1	L2SC2412KQMT1G.....	71	L74VHC1G09.....	114	L9014TLT1G	68
L1SS400CST5G	1	L2SC2412KRLT1G	69	L74VHC1G125.....	114	L9015QLT1G.....	68
L1SS400GT1G	1	L2SC2412KRMT1G.....	71	L74VHC1G126.....	114	L9015RLT1G.....	68
L1SS400T1G	1	L2SC2412KSLT1G.....	69	L74VHC1G132.....	114	L9015SLT1G	68
L2N7002DMT1G	81	L2SC2412KSMT1G	71	L74VHC1G135.....	114	LBA277T1G	1
L2N7002DWT1G	81	L2SC3356LT1G.....	68	L74VHC1G14.....	114	LBAL99WT1G.....	2
L2N7002EM3T5G.....	80	L2SC3356LT1G.....	116	L74VHC1G32.....	114	LBAS116LT1G.....	2
L2N7002FDW1T1G.....	81	L2SC3356QALT1G.....	116	L74VHC1G50.....	114	LBAS16BST5G	1
L2N7002FLT1G.....	80	L2SC3356QAWT1G.....	116	L74VHC1G66.....	114	LBAS16HT1G	1
L2N7002FWT1G.....	80	L2SC3356WT1G	68	L74VHC1G86.....	114	LBAS16LT1G	2
L2N7002KDW1T1G	81	L2SC3356WT1G	116	L74VHC1GT00	114	LBAS16TT1G.....	2
L2N7002KLT1G.....	80	L2SC3837LT1G.....	68	L74VHC1GT01	115	LBAS16TW1T1G.....	2
L2N7002KN3T5G	82	L2SC3837LT1G.....	116	L74VHC1GT02	114	LBAS16WT1G	2
L2N7002KWT1G	80	L2SC3838LT1G.....	67	L74VHC1GT03	115	LBAS20HT1G	1
L2N7002LT1G.....	80	L2SC3838LT1G.....	116	L74VHC1GT04	114	LBAS21CLT1G	2
L2N7002M3T5G	80	L2SC3838NLT1G.....	67	L74VHC1GT05	115	LBAS21HT1G	1
L2N7002SDW1T1G.....	81	L2SC4081QT1G	69	L74VHC1GT07	115	LBAS21LT1G	2
L2N7002SLT1G.....	80	L2SC4081RT1G	69	L74VHC1GT08	114	LBAS21SLT1G.....	2
L2N7002SWT1G.....	80	L2SC4081ST1G.....	69	L74VHC1GT09	115	LBAS316T1G	1
L2N7002WT1G	80	L2SC4083NWT1G	68	L74VHC1GT14	114	LBAS40-04LT1G.....	12
L2SA1036KQLT1G.....	67	L2SC4083NWT1G	116	L74VHC1GT32	114	LBAS40-05LT1G.....	12
L2SA1036KRLT1G.....	70	L2SC4083PT1G.....	71	L74VHC1GT50	114	LBAS40-06LT1G.....	12
L2SA1037AKQLT1G.....	69	L2SC4083PWT1G.....	68	L74VHC1GT66	114	LBAS40BST5G	3
L2SA1037AKRLT1G	69	L2SC4083PWT1G.....	116	L74VHC1GT86	114	LBAS40LT1G	12
L2SA1037AKSLT1G.....	69	L2SC4083QWT1G	68	L74VHC1GU04.....	114	LBAS516T1G	1
L2SA1365FLT1G	70	L2SC4083QWT1G	116	L8050HPLT1G.....	67	LBAS70-04LT1G.....	12
L2SA1576AQT1G.....	69	L2SC4617QT1G	69	L8050HQLT1G.....	67	LBAS70-05LT1G.....	12
L2SA1576ART1G	69	L2SC4617RT1G	69	L8050HRLT1G	67	LBAS70-06LT1G.....	12
L2SA1576AST1G.....	69	L2SC4617ST1G.....	69	L8050PLT1G	70	LBAS70BST5G	3
L2SA1774QT1G.....	69	L2SC5635WT1G	68	L8050QLT1G.....	70	LBAS70LT1G	12
L2SA1774RT1G	69	L2SC5658QM3T5G	67	L8550HPLT1G.....	67	LBAT30LT1G	12
L2SA1774ST1G	69	L2SC5658RM3T5G.....	67	L8550HQLT1G.....	67	LBAT40-04LT1G.....	12
L2SA2029QM3T5G	67	L2SD1781KRLT1G	70	L8550HRLT1G	67	LBAT40HT1G	4
L2SA2029RM3T5G	67	L2SD2114KVLT1G.....	69	L8550PLT1G	70	LBAT46T1G	3
L2SA812QLT1G.....	69	L2SD2114KWLT1G.....	69	L8550QLT1G.....	70	LBAT54ALT1G	12
L2SA812RLT1G.....	69	L2SK3018WT1G.....	80	L9012PLT1G	69	LBAT54AWT1G.....	12
L2SA812SLT1G	69	L2SK3019LT1G.....	80	L9012QLT1G.....	70	LBAT54BST5G	4
L2SB1197KQLT1G	70	L2SK3541M3T5G	80	L9012RLT1G	70	LBAT54CLT1G	12

Device	Page	Device	Page	Device	Page	Device	Page
LBAT54CWT1G.....	12	LBC847BN3T5G.....	67	LBSS139DW1T1G.....	81	LBZT52B8V2T1G.....	20
LBAT54DW1T1G.....	13	LBC847BPDW1T1G.....	71	LBSS139LT1G.....	80	LBZT52B9V1T1G.....	20
LBAT54HT1G.....	4	LBC847BTT1G.....	67	LBSS139WT1G.....	80	LBZT52C10T1G.....	21
LBAT54LT1G.....	12	LBC847BWT1G.....	68	LBSS260DW1T1G.....	81	LBZT52C11T1G.....	21
LBAT54SLT1G.....	12	LBC847CDW1T1G.....	71	LBSS4240LT1G.....	67	LBZT52C12T1G.....	21
LBAT54SWT1G.....	12	LBC847CLT1G.....	68	LBSS4240P3T5G.....	67	LBZT52C13T1G.....	21
LBAT54TW1T1G.....	13	LBC847CN3T5G.....	67	LBSS4350Q3T1G.....	71	LBZT52C15T1G.....	21
LBAT54WT1G.....	12	LBC847CWT1G.....	68	LBSS5240LT1G.....	67	LBZT52C16T1G.....	21
LBAT54XV2T1G.....	3	LBC848ALT1G.....	68	LBSS5240P3T5G.....	67	LBZT52C18T1G.....	21
LBAT60ET1G.....	3	LBC848BDW1T1G.....	71	LBSS5350Q3T1G.....	71	LBZT52C20T1G.....	21
LBAV170LT1G.....	2	LBC848BLT1G.....	68	LBSS8402DW1T1G.....	81	LBZT52C22T1G.....	21
LBAV199LT1G.....	2	LBC848BPDW1T1G.....	71	LBSS84DW1T1G.....	81	LBZT52C24T1G.....	21
LBAV21T1G.....	1	LBC848BWT1G.....	68	LBSS84LT1G.....	80	LBZT52C27T1G.....	21
LBAV3004T1G.....	1	LBC848CDW1T1G.....	71	LBSS84WT1G.....	80	LBZT52C2V4T1G.....	20
LBAV70LT1G.....	1	LBC848CLT1G.....	68	LBTN180D3T5G.....	67	LBZT52C2V7T1G.....	20
LBAV70TT1G.....	1	LBC848CPDW1T1G.....	71	LBTP180D3T5G.....	67	LBZT52C30T1G.....	21
LBAV70WT1G.....	1	LBC848CWT1G.....	68	LBZB84C6V2LT1G.....	28	LBZT52C33T1G.....	21
LBAV74LT1G.....	1	LBC850BLT1G.....	68	LBZT52B10T1G.....	20	LBZT52C36T1G.....	21
LBAW156LT1G.....	2	LBC850BWT1G.....	67	LBZT52B11T1G.....	20	LBZT52C39T1G.....	21
LBAW56DW1T1G.....	2	LBC850CLT1G.....	67	LBZT52B12T1G.....	20	LBZT52C3V0T1G.....	20
LBAW56LT1G.....	1	LBC856ALT1G.....	69	LBZT52B13T1G.....	20	LBZT52C3V3T1G.....	20
LBAW56WT1G.....	1	LBC856BDW1T1G.....	71	LBZT52B15T1G.....	20	LBZT52C3V6T1G.....	20
LBC807-16LT1G.....	70	LBC856BLT1G.....	69	LBZT52B16T1G.....	20	LBZT52C3V9T1G.....	21
LBC807-16WT1G.....	70	LBC856BWT1G.....	69	LBZT52B18T1G.....	20	LBZT52C43T1G.....	21
LBC807-25LT1G.....	70	LBC857ALT1G.....	68	LBZT52B20T1G.....	20	LBZT52C47T1G.....	21
LBC807-25WT1G.....	70	LBC857AN3T5G.....	67	LBZT52B22T1G.....	20	LBZT52C4V3T1G.....	21
LBC807-40LT1G.....	70	LBC857AWT1G.....	67	LBZT52B24T1G.....	20	LBZT52C4V7T1G.....	21
LBC807-40WT1G.....	70	LBC857BDW1T1G.....	71	LBZT52B27T1G.....	20	LBZT52C51T1G.....	21
LBC817-16LT1G.....	70	LBC857BLT1G.....	68	LBZT52B2V0T1G.....	20	LBZT52C5V1T1G.....	21
LBC817-16WT1G.....	70	LBC857BTT1G.....	67	LBZT52B2V2T1G.....	20	LBZT52C5V6T1G.....	21
LBC817-25DPMT1G.....	71	LBC857BWT1G.....	68	LBZT52B2V4T1G.....	20	LBZT52C6V2T1G.....	21
LBC817-25LT1G.....	70	LBC857CDW1T1G.....	71	LBZT52B2V7T1G.....	20	LBZT52C6V8T1G.....	21
LBC817-25WT1G.....	70	LBC857CLT1G.....	68	LBZT52B30T1G.....	20	LBZT52C7V5T1G.....	21
LBC817-40LT1G.....	70	LBC857CN3T5G.....	67	LBZT52B33T1G.....	20	LBZT52C8V2T1G.....	21
LBC817-40WT1G.....	70	LBC857CWT1G.....	69	LBZT52B36T1G.....	20	LBZT52C9V1T1G.....	21
LBC846ALT1G.....	69	LBC858ALT1G.....	68	LBZT52B3V0T1G.....	20	LBZT52MB10T1G.....	14
LBC846AWT1G.....	69	LBC858BDW1T1G.....	71	LBZT52B3V3T1G.....	20	LBZT52MB11T1G.....	14
LBC846BDW1T1G.....	71	LBC858BLT1G.....	68	LBZT52B3V6T1G.....	20	LBZT52MB12T1G.....	14
LBC846BLT1G.....	69	LBC858BWT1G.....	68	LBZT52B3V9T1G.....	20	LBZT52MB13T1G.....	14
LBC846BPDW1T1G.....	71	LBC858CDW1T1G.....	71	LBZT52B4V3T1G.....	20	LBZT52MB15T1G.....	14
LBC846BWT1G.....	69	LBC858CLT1G.....	68	LBZT52B4V7T1G.....	20	LBZT52MB16T1G.....	14
LBC847ALT1G.....	68	LBSS123LT1G.....	80	LBZT52B5V1T1G.....	20	LBZT52MB18T1G.....	14
LBC847AN3T5G.....	67	LBSS138DW1T1G.....	81	LBZT52B5V6T1G.....	20	LBZT52MB20T1G.....	14
LBC847AWT1G.....	68	LBSS138LT1G.....	80	LBZT52B6V2T1G.....	20	LBZT52MB22T1G.....	14
LBC847BDW1T1G.....	71	LBSS138V3.3T1G.....	81	LBZT52B6V8T1G.....	20	LBZT52MB24T1G.....	14
LBC847BLT1G.....	68	LBSS138WT1G.....	80	LBZT52B7V5T1G.....	20	LBZT52MB27T1G.....	14



Device	Page	Device	Page	Device	Page	Device	Page
LBZT52MB30T1G.....	14	LBZX84C15LT1G.....	29	LDTA114TET1G.....	75	LDTB143ELT1G.....	73
LBZT52MB33T1G.....	14	LBZX84C16LT1G.....	29	LDTA114TM3T5G.....	73	LDTB143TLT1G.....	73
LBZT52MB36T1G.....	14	LBZX84C18LT1G.....	29	LDTA114WET1G.....	75	LDTBG12GPLT1G.....	73
LBZT52MB3V6T1G.....	14	LBZX84C20LT1G.....	29	LDTA114YET1G.....	75	LDTC113YET1G.....	74
LBZT52MB3V9T1G.....	14	LBZX84C22LT1G.....	29	LDTA114YM3T5G.....	73	LDTC113ZET1G.....	74
LBZT52MB4V3T1G.....	14	LBZX84C24LT1G.....	29	LDTA114YN3T5G.....	73	LDTC114EET1G.....	74
LBZT52MB4V7T1G.....	14	LBZX84C27LT1G.....	29	LDTA115EET1G.....	75	LDTC114EM3T5G.....	74
LBZT52MB5V1T1G.....	14	LBZX84C2V4LT1G.....	29	LDTA115EM3T5G.....	73	LDTC114EN3T5G.....	73
LBZT52MB5V6T1G.....	14	LBZX84C2V7LT1G.....	29	LDTA115GET1G.....	75	LDTC114GET1G.....	75
LBZT52MB6V2T1G.....	14	LBZX84C30LT1G.....	29	LDTA115TET1G.....	75	LDTC114TET1G.....	74
LBZT52MB6V8T1G.....	14	LBZX84C33LT1G.....	29	LDTA123EET1G.....	75	LDTC114TM3T5G.....	74
LBZT52MB7V5T1G.....	14	LBZX84C36LT1G.....	30	LDTA123EM3T5G.....	73	LDTC114WET1G.....	74
LBZT52MB8V2T1G.....	14	LBZX84C39LT1G.....	30	LDTA123JET1G.....	75	LDTC114YET1G.....	74
LBZT52MB9V1T1G.....	14	LBZX84C3V0LT1G.....	29	LDTA123JM3T5G.....	73	LDTC114YM3T5G.....	74
LBZX84B10LT1G.....	30	LBZX84C3V3LT1G.....	29	LDTA123TKT1G.....	75	LDTC114YN3T5G.....	73
LBZX84B11LT1G.....	30	LBZX84C3V6LT1G.....	29	LDTA123YET1G.....	75	LDTC115EET1G.....	74
LBZX84B12LT1G.....	30	LBZX84C3V9LT1G.....	29	LDTA124EET1G.....	75	LDTC115EM3T5G.....	74
LBZX84B13LT1G.....	30	LBZX84C43LT1G.....	30	LDTA124EM3T5G.....	74	LDTC115GET1G.....	75
LBZX84B15LT1G.....	30	LBZX84C47LT1G.....	30	LDTA124GET1G.....	75	LDTC115TET1G.....	75
LBZX84B16LT1G.....	30	LBZX84C4V3LT1G.....	29	LDTA124TET1G.....	75	LDTC123EET1G.....	74
LBZX84B18LT1G.....	30	LBZX84C4V7LT1G.....	29	LDTA124XET1G.....	75	LDTC123EM3T5G.....	74
LBZX84B20LT1G.....	30	LBZX84C51LT1G.....	30	LDTA124XM3T5G.....	74	LDTC123JET1G.....	74
LBZX84B22LT1G.....	30	LBZX84C5V1LT1G.....	29	LDTA125TET1G.....	75	LDTC123JM3T5G.....	74
LBZX84B24LT1G.....	30	LBZX84C5V6LT1G.....	29	LDTA143EET1G.....	75	LDTC123TKT1G.....	74
LBZX84B27LT1G.....	30	LBZX84C62LT1G.....	30	LDTA143EM3T5G.....	74	LDTC123YET1G.....	74
LBZX84B2V7LT1G.....	30	LBZX84C68LT1G.....	28	LDTA143TET1G.....	75	LDTC124EET1G.....	74
LBZX84B30LT1G.....	30	LBZX84C6V2LT1G.....	29	LDTA143TM3T5G.....	74	LDTC124EM3T5G.....	74
LBZX84B33LT1G.....	30	LBZX84C6V8LT1G.....	29	LDTA143XET1G.....	75	LDTC124GET1G.....	75
LBZX84B36LT1G.....	30	LBZX84C75LT1G.....	30	LDTA143YET1G.....	75	LDTC124TET1G.....	75
LBZX84B3V0LT1G.....	30	LBZX84C7V5LT1G.....	29	LDTA143ZET1G.....	75	LDTC124XET1G.....	74
LBZX84B3V3LT1G.....	30	LBZX84C8V2LT1G.....	29	LDTA143ZM3T5G.....	73	LDTC124XM3T5G.....	74
LBZX84B3V6LT1G.....	30	LBZX84C9V1LT1G.....	29	LDTA144EET1G.....	75	LDTC125TET1G.....	75
LBZX84B3V9LT1G.....	30	LDAN202KLT1G.....	2	LDTA144EM3T5G.....	74	LDTC143EET1G.....	74
LBZX84B4V3LT1G.....	30	LDAN202UT1G.....	2	LDTA144GET1G.....	75	LDTC143EM3T5G.....	74
LBZX84B4V7LT1G.....	30	LDAN222T1G.....	2	LDTA144TET1G.....	75	LDTC143TET1G.....	74
LBZX84B5V1LT1G.....	30	LDN2367T1G.....	79	LDTA144TM3T5G.....	74	LDTC143TM3T5G.....	74
LBZX84B5V6LT1G.....	30	LDN3370DT2AG.....	82	LDTA144VET1G.....	75	LDTC143XET1G.....	74
LBZX84B6V2LT1G.....	30	LDN3408ET1G.....	79	LDTA144WET1G.....	75	LDTC143YET1G.....	74
LBZX84B6V8LT1G.....	30	LDP2010DT1G.....	82	LDTB113ELT1G.....	73	LDTC143ZET1G.....	74
LBZX84B7V5LT1G.....	30	LDP2011DT1G.....	82	LDTB113ZLT1G.....	73	LDTC143ZM3T5G.....	74
LBZX84B8V2LT1G.....	30	LDSR01S30ST5G.....	3	LDTB114ELT1G.....	73	LDTC143ZN3T5G.....	73
LBZX84B9V1LT1G.....	30	LDTA113TKT1G.....	75	LDTB114GLT1G.....	73	LDTC144EET1G.....	74
LBZX84C10LT1G.....	29	LDTA113ZET1G.....	75	LDTB114TLT1G.....	73	LDTC144EM3T5G.....	74
LBZX84C11LT1G.....	29	LDTA114EET1G.....	75	LDTB123ELT1G.....	73	LDTC144GET1G.....	75
LBZX84C12LT1G.....	29	LDTA114EM3T5G.....	73	LDTB123TLT1G.....	73	LDTC144TET1G.....	75
LBZX84C13LT1G.....	29	LDTA114GET1G.....	75	LDTB123YLT1G.....	73	LDTC144TM3T5G.....	74

Device	Page	Device	Page	Device	Page	Device	Page
LDTTC144VET1G	74	LESD11D5.0CT5G	62	LESD8D7.0CAT5G	63	LM3Z13VT1G	18
LDTTC144WET1G	74	LESD11D5.0T5G	62	LESD8H5.0CT5G	66	LM3Z15VT1G	18
LDTD113ELT1G	73	LESD11LH5.0CT5G	62	LESD8L3.3CT5G	62	LM3Z16VT1G	18
LDTD113ZLT1G	73	LESD11LL3.3CT5G	62	LESD8L5.0CN3T5G	63	LM3Z18VT1G	18
LDTD114ELT1G	73	LESD11LL3.3T5G	62	LESD8L5.0CT5G	62	LM3Z20VT1G	18
LDTD114GLT1G	73	LESD11LL5.0CT5G	62	LESD8L5.0T5G	62	LM3Z22VT1G	18
LDTD114TLT1G	73	LESD11LL5.0T5G	62	LESD8LF5.0CT5G	62	LM3Z24VT1G	19
LDTD123ELT1G	73	LESD11LLF5.0CT5G	62	LESD8LF5.0N3T5G	63	LM3Z27VT1G	19
LDTD123TLT1G	73	LESD11LS5.0CT5G	62	LESD8LH3.3CT5G	62	LM3Z2V0T1G	18
LDTD123YLT1G	73	LESD11LS5.0T5G	62	LESD8LH5.0CN3T5G	63	LM3Z2V4T1G	18
LDTD143ELT1G	73	LESD11LV12CT5G	62	LESD8LH5.0CT5G	62	LM3Z2V7T1G	18
LDTD143TLT1G	73	LESD11LV5.0T5G	62	LESD8LL3.3T5G	62	LM3Z30VT1G	19
LDTDG12GPLT1G	73	LESD3Z5.0CMT1G	64	LESD8LL5.0CT5G	63	LM3Z33VT1G	19
LEDZ10BT1G	17	LESD3Z5.0T1G	64	LESD8LL5.0N3T5G	63	LM3Z36VT1G	19
LEDZ11BT1G	17	LESD5D5.0CT1G	63	LESD8LL5.0T5G	63	LM3Z39VT1G	19
LEDZ12BT1G	17	LESD5L3.3CT1G	63	LESD8LM5.0CT5G	62	LM3Z3V0T1G	18
LEDZ13BT1G	18	LESD5L3.3T1G	63	LESD8LS5.0CT5G	62	LM3Z3V3T1G	18
LEDZ15BT1G	18	LESD5L5.0CT1G	63	LESD8LS5.0T5G	62	LM3Z3V6T1G	18
LEDZ16BT1G	18	LESD5L5.0T1G	63	LESD8LV12CT5G	63	LM3Z3V9T1G	18
LEDZ18BT1G	18	LESD5Z12T1G	63	LESD8LV5.0T5G	62	LM3Z43VT1G	19
LEDZ2.4BT1G	17	LESD5Z3.3T1G	63	LESD9D12T5G	63	LM3Z47VT1G	19
LEDZ2.7BT1G	17	LESD5Z5.0CT1G	63	LESD9D3.3CT5G	63	LM3Z4V3T1G	18
LEDZ20BT1G	18	LESD5Z5.0T1G	63	LESD9D3.3T5G	63	LM3Z4V7T1G	18
LEDZ22BT1G	18	LESD5Z7.0T1G	63	LESD9D5.0CT5G	63	LM3Z51VT1G	19
LEDZ24BT1G	18	LESD6A5V6W6T1G	65	LESD9D5.0T5G	63	LM3Z56VT1G	19
LEDZ27BT1G	18	LESD6A6V8W6T1G	65	LESD9L3.3CT5G	63	LM3Z5V1T1G	18
LEDZ3.0BT1G	17	LESD6V1MLT1G	64	LESD9L3.3T5G	63	LM3Z5V6T1G	18
LEDZ3.3BT1G	17	LESD6V8T1G	64	LESD9L5.0CT5G	63	LM3Z62VT1G	19
LEDZ3.6BT1G	17	LESD7D3.3T5G	63	LESD9L5.0T5G	63	LM3Z68VT1G	19
LEDZ3.9BT1G	17	LESD7D5.0T5G	63	LESDA14V2LT1G	64	LM3Z6V2T1G	18
LEDZ30BT1G	18	LESD8D12AT5G	63	LESDA5V3LT1G	64	LM3Z6V8T1G	18
LEDZ33BT1G	18	LESD8D12BT5G	63	LESDA5VAW6T1G	65	LM3Z75VT1G	19
LEDZ36BT1G	18	LESD8D12CAT5G	63	LESDA6V1LT1G	64	LM3Z7V5T1G	18
LEDZ4.3BT1G	17	LESD8D12CT5G	63	LESDA6V1W5T1G	65	LM3Z8V2T1G	18
LEDZ4.7BT1G	17	LESD8D12T5G	63	LESDA6V1W6T1G	65	LM3Z9V1T1G	18
LEDZ5.1BT1G	17	LESD8D3.3AT5G	62	LESDA6V8AW5T1G	65	LM5Z10VT1G	17
LEDZ5.6BT1G	17	LESD8D3.3CAT5G	62	LGSOT05CLT1G	64	LM5Z11VT1G	17
LEDZ6.2BT1G	17	LESD8D3.3CN3T5G	63	LGSOT12CLT1G	64	LM5Z12VT1G	17
LEDZ6.8BT1G	17	LESD8D3.3N3T5G	63	LH8050QLT1G	67	LM5Z13VT1G	17
LEDZ7.5BT1G	17	LESD8D5.0AT5G	62	LH8550QLT1G	67	LM5Z15VT1G	17
LEDZ8.2BT1G	17	LESD8D5.0BT5G	62	LIMN10T1G	2	LM5Z16VT1G	17
LEDZ9.1BT1G	17	LESD8D5.0CAT5G	62	LM1MA142WAT1G	2	LM5Z18VT1G	17
LESD11D12T5G	62	LESD8D5.0CBT5G	62	LM1MA142WKT1G	2	LM5Z20VT1G	17
LESD11D3.3CT5G	62	LESD8D5.0CET5G	62	LM3Z10VT1G	18	LM5Z22VT1G	17
LESD11D3.3T5G	62	LESD8D5.0CN3T5G	63	LM3Z11VT1G	18	LM5Z24VT1G	17
LESD11D3.3T5G	62	LESD8D5.0N3T5G	63	LM3Z12VT1G	18	LM5Z27VT1G	17



Device	Page	Device	Page	Device	Page	Device	Page
LM5Z2V4T1G.....	16	LMBR1150FT1G.....	5	LMBT2506QLT1G.....	70	LMBTH10LT1G.....	68
LM5Z2V7T1G.....	16	LMBR1200ET1G.....	4	LMBT2516QLT1G.....	70	LMBTH10QLT1G.....	70
LM5Z30VT1G.....	17	LMBR1200FT1G.....	5	LMBT2907ADW1T1G.....	72	LMBTH10WT1G.....	68
LM5Z33VT1G.....	17	LMBR120ET1G.....	4	LMBT2907ALT1G.....	72	LMBZ27VALT1G.....	27
LM5Z36VT1G.....	17	LMBR120FT1G.....	4	LMBT2907AWT1G.....	72	LMBZ5221BLT1G.....	28
LM5Z39VT1G.....	17	LMBR130ET1G.....	4	LMBT35200MT1G.....	72	LMBZ5222BLT1G.....	28
LM5Z3V0T1G.....	16	LMBR130FT1G.....	4	LMBT3904DW1T1G.....	72	LMBZ5223BLT1G.....	28
LM5Z3V3T1G.....	16	LMBR130T1G.....	4	LMBT3904LT1G.....	72	LMBZ5224BLT1G.....	28
LM5Z3V6T1G.....	16	LMBR140ET1G.....	4	LMBT3904N3T5G.....	72	LMBZ5225BLT1G.....	28
LM5Z3V9T1G.....	16	LMBR140FT1G.....	5	LMBT3904TT1G.....	72	LMBZ5226BLT1G.....	28
LM5Z43VT1G.....	17	LMBR140T1G.....	4	LMBT3904WT1G.....	72	LMBZ5227BLT1G.....	28
LM5Z47VT1G.....	17	LMBR150ET1G.....	4	LMBT3906DW1T1G.....	72	LMBZ5228BLT1G.....	28
LM5Z4V3T1G.....	16	LMBR150FT1G.....	5	LMBT3906LT1G.....	72	LMBZ5229BLT1G.....	28
LM5Z4V7T1G.....	16	LMBR160ET1G.....	4	LMBT3906TT1G.....	72	LMBZ5230BLT1G.....	28
LM5Z51VT1G.....	17	LMBR160FT1G.....	5	LMBT3906WT1G.....	72	LMBZ5231BLT1G.....	28
LM5Z56VT1G.....	17	LMBR160T1G.....	5	LMBT3908LT1G.....	72	LMBZ5232BLT1G.....	28
LM5Z5V1T1G.....	16	LMBR180ET1G.....	4	LMBT3946DW1T1G.....	72	LMBZ5233BLT1G.....	28
LM5Z5V6T1G.....	16	LMBR180FT1G.....	5	LMBT4401DW1T1G.....	72	LMBZ5234BLT1G.....	28
LM5Z62VT1G.....	17	LMBR2100FT1G.....	6	LMBT4401LT1G.....	72	LMBZ5235BLT1G.....	28
LM5Z68VT1G.....	17	LMBR2150FT1G.....	6	LMBT4401WT1G.....	72	LMBZ5236BLT1G.....	28
LM5Z6V2T1G.....	16	LMBR2200FT1G.....	6	LMBT4403DW1T1G.....	72	LMBZ5237BLT1G.....	28
LM5Z6V8T1G.....	16	LMBR220FT1G.....	6	LMBT4403LT1G.....	72	LMBZ5238BLT1G.....	28
LM5Z75VT1G.....	17	LMBR230ET1G.....	3	LMBT4403WT1G.....	72	LMBZ5239BLT1G.....	28
LM5Z7V5T1G.....	16	LMBR230FT1G.....	6	LMBT4413DW1T1G.....	72	LMBZ5240BLT1G.....	28
LM5Z8V2T1G.....	16	LMBR240ET1G.....	3	LMBT5087LT1G.....	68	LMBZ5241BLT1G.....	28
LM5Z9V1T1G.....	16	LMBR240FT1G.....	6	LMBT5401DW1T1G.....	71	LMBZ5242BLT1G.....	28
LMBD2838LT1G.....	1	LMBR250FT1G.....	6	LMBT5401LT1G.....	67	LMBZ5243BLT1G.....	28
LMBD3004ALT1G.....	2	LMBR260ET1G.....	3	LMBT5541DW1T1G.....	71	LMBZ5244BLT1G.....	28
LMBD3004CLT1G.....	2	LMBR260FT1G.....	6	LMBT5551DW1T1G.....	71	LMBZ5245BLT1G.....	28
LMBD3004SLT1G.....	2	LMBR280FT1G.....	6	LMBT5551LT1G.....	70	LMBZ5246BLT1G.....	28
LMBD301LT1G.....	12	LMBR3100FT1G.....	7	LMBT6427LT1G.....	67	LMBZ5247BLT1G.....	28
LMBD7000LT1G.....	2	LMBR3150FT1G.....	7	LMBT6428LT1G.....	69	LMBZ5248BLT1G.....	28
LMBD914LT1G.....	2	LMBR3200FT1G.....	7	LMBT6517LT1G.....	70	LMBZ5249BLT1G.....	28
LMBR01S30ST5G.....	3	LMBR320FT1G.....	7	LMBT6520LT1G.....	70	LMBZ5250BLT1G.....	28
LMBR0520ET1G.....	4	LMBR330FT1G.....	7	LMBT918LT1G.....	68	LMBZ5251BLT1G.....	28
LMBR0520FT1G.....	4	LMBR340FT1G.....	7	LMBTA05LT1G.....	70	LMBZ5252BLT1G.....	28
LMBR0520T1G.....	4	LMBR350FT1G.....	7	LMBTA06LT1G.....	70	LMBZ5253BLT1G.....	28
LMBR0530ET1G.....	4	LMBR360FT1G.....	7	LMBTA13LT1G.....	69	LMBZ5254BLT1G.....	28
LMBR0530FT1G.....	4	LMBR380FT1G.....	7	LMBTA14LT1G.....	69	LMBZ5255BLT1G.....	28
LMBR0530T1G.....	4	LMBR4010BST5G.....	3	LMBTA42LT1G.....	68	LMBZ5256BLT1G.....	28
LMBR0540ET1G.....	4	LMBR4010H3T5G.....	3	LMBTA44LT1G.....	69	LMBZ5257BLT1G.....	28
LMBR0540FT1G.....	4	LMBT2222ADW1T1G.....	72	LMBTA55LT1G.....	70	LMBZ5258BLT1G.....	28
LMBR0540T1G.....	4	LMBT2222ALT1G.....	72	LMBTA56LT1G.....	70	LMBZ5259BLT1G.....	29
LMBR1100ET1G.....	4	LMBT2222AN3T5G.....	72	LMBTA64LT1G.....	67	LMBZ5260BLT1G.....	29
LMBR1100FT1G.....	5	LMBT2222ATT1G.....	72	LMBTA92LT1G.....	68	LMBZ5261BLT1G.....	29
LMBR1150ET1G.....	4	LMBT2222AWT1G.....	72	LMBTA94LT1G.....	69	LMBZ5262BLT1G.....	29

Device	Page	Device	Page	Device	Page	Device	Page
LMBZ5263BLT1G	29	LMSZ5251BT1G	22	LMUN2233LT1G	76	LMUN5234T1G	77
LMBZ5264BLT1G	29	LMSZ5252BT1G	22	LMUN2234LT1G	76	LMUN5235DW1T1G.....	78
LMBZ5265BLT1G	29	LMSZ5253BT1G	22	LMUN2235LT1G	76	LMUN5235T1G	77
LMBZ5266BLT1G	29	LMSZ5254BT1G	22	LMUN2236LT1G	76	LMUN5236DW1T1G.....	78
LMBZ5267BLT1G	29	LMSZ5255BT1G	22	LMUN2237LT1G	76	LMUN5236T1G	73
LMBZ5268BLT1G	29	LMSZ5256BT1G	22	LMUN2238LT1G	76	LMUN5237DW1T1G.....	78
LMBZ5269BLT1G	29	LMSZ5257BT1G	22	LMUN2240LT1G	76	LMUN5237T1G	77
LMBZ5270BLT1G	29	LMSZ5258BT1G	22	LMUN2241LT1G	76	LMUN5241T1G	73
LMDL301T1G	3	LMSZ5259BT1G	22	LMUN5111T1G.....	76	LMUN5311DW1T1G.....	78
LMDL6050T1G	1	LMSZ5260BT1G	22	LMUN5112T1G.....	76	LMUN5312DW1T1G.....	78
LMDL914T1G	1	LMSZ5261BT1G	22	LMUN5113T1G.....	73	LMUN5313DW1T1G.....	78
LMN2500N3T5G	82	LMSZ5262BT1G	22	LMUN5114T1G.....	76	LMUN5314DW1T1G.....	78
LMP21D5N3T5G	82	LMSZ5263BT1G	22	LMUN5115T1G.....	76	LMUN5315DW1T1G.....	78
LMSD103AT1G	4	LMSZ5264BT1G	22	LMUN5116T1G.....	76	LMUN5316DW1T1G.....	78
LMSD103BT1G	4	LMSZ5265BT1G	22	LMUN5130T1G	76	LMUN5330DW1T1G.....	78
LMSD103CT1G	4	LMSZ5266BT1G	22	LMUN5131T1G	76	LMUN5331DW1T1G.....	78
LMSZ4711T1G.....	15	LMSZ5267BT1G	22	LMUN5132T1G	76	LMUN5332DW1T1G.....	78
LMSZ5221BT1G.....	21	LMSZ5268BT1G	22	LMUN5133T1G	76	LMUN5333DW1T1G.....	78
LMSZ5222BT1G.....	21	LMSZ5269BT1G	22	LMUN5134T1G	76	LMUN5334DW1T1G.....	78
LMSZ5223BT1G.....	21	LMSZ5270BT1G	22	LMUN5135T1G	77	LMUN5335DW1T1G.....	78
LMSZ5224BT1G.....	21	LMSZ5272BT1G	22	LMUN5136DW1T1G.....	77	LMUN5336DW1T1G.....	78
LMSZ5225BT1G.....	21	LMUN2111LT1G.....	75	LMUN5136T1G	77	LN1482WT1G.....	79
LMSZ5226BT1G.....	21	LMUN2112LT1G.....	75	LMUN5137DW1T1G.....	77	LN2290DT2AG	82
LMSZ5227BT1G.....	21	LMUN2113LT1G.....	75	LMUN5137T1G	77	LN2292LT1G.....	80
LMSZ5228BT1G.....	21	LMUN2114LT1G.....	76	LMUN5141T1G	73	LN2294LT1G.....	80
LMSZ5229BT1G.....	21	LMUN2115LT1G.....	76	LMUN5211DW1T1G.....	77	LN2302ALT1G	79
LMSZ5230BT1G.....	21	LMUN2116LT1G.....	76	LMUN5211T1G.....	77	LN2302BLT1G	79
LMSZ5231BT1G.....	21	LMUN2130LT1G	76	LMUN5212DW1T1G.....	77	LN2302LT1G.....	79
LMSZ5232BT1G.....	21	LMUN2131LT1G	76	LMUN5212T1G	77	LN2306LT1G.....	79
LMSZ5233BT1G.....	22	LMUN2132LT1G	76	LMUN5213DW1T1G.....	77	LN2308LT1G.....	80
LMSZ5234BT1G.....	22	LMUN2133LT1G	76	LMUN5213T1G	77	LN2312LT1G.....	79
LMSZ5235BT1G.....	22	LMUN2134LT1G	76	LMUN5214DW1T1G.....	77	LN2316ELT1G	80
LMSZ5236BT1G.....	22	LMUN2135LT1G	76	LMUN5214T1G	77	LN2320EDT2AG.....	82
LMSZ5237BT1G.....	22	LMUN2136LT1G	76	LMUN5215DW1T1G.....	77	LN2324DT2AG	82
LMSZ5238BT1G.....	22	LMUN2137LT1G	76	LMUN5215T1G	77	LN235N3T5G.....	81
LMSZ5239BT1G.....	22	LMUN2138LT1G	76	LMUN5216DW1T1G.....	77	LN237N3T5G.....	81
LMSZ5240BT1G.....	22	LMUN2140LT1G	76	LMUN5216T1G	77	LN2406DT1G.....	82
LMSZ5241BT1G.....	22	LMUN2211LT1G.....	76	LMUN5230DW1T1G.....	77	LN2502LT1G.....	79
LMSZ5242BT1G.....	22	LMUN2212LT1G	76	LMUN5230T1G	77	LN2506DT1G	82
LMSZ5243BT1G.....	22	LMUN2213LT1G	76	LMUN5231DW1T1G.....	78	LN3424DT2AG	82
LMSZ5244BT1G.....	22	LMUN2214LT1G	76	LMUN5231T1G	77	LN3496T1G.....	79
LMSZ5245BT1G.....	22	LMUN2215LT1G	76	LMUN5232DW1T1G.....	78	LN4264T1G.....	81
LMSZ5246BT1G.....	22	LMUN2216LT1G	76	LMUN5232T1G	77	LN4266T1G.....	81
LMSZ5247BT1G.....	22	LMUN2230LT1G	76	LMUN5233DW1T1G.....	78	LN4290T1G.....	81
LMSZ5248BT1G.....	22	LMUN2231LT1G	76	LMUN5233T1G	77	LN4501LT1G.....	79
LMSZ5250BT1G.....	22	LMUN2232LT1G	76	LMUN5234DW1T1G.....	78	LN4812LT1G.....	80



Device	Page	Device	Page	Device	Page	Device	Page
LN7266DT1AG	82	LNZ8F8V2T5G	16	LP2707DT2AG.....	82	LR2903	111
LN7340DT1AG	82	LNZ8F9V1T5G	16	LP3218DT1G.....	82	LR2904	111
LN7342DT1AG	82	LNZ9F10VT5G	15	LP3401ALT1G.....	79	LR3105LT1G.....	66
LN7350DT1AG	82	LNZ9F10VT5G	18	LP3401LT1G	79	LR324	111
LN7466DT1AG	82	LNZ9F11VT5G	15	LP3407LT1G	79	LR339	111
LN8330DT1AG	81	LNZ9F12VT5G	15	LP3415ELT1G.....	79	LR358	111
LN8340DT1AG	82	LNZ9F13VT5G	15	LP3418DT2AG.....	82	LR393	111
LN8342DT1AG	82	LNZ9F15VT5G	15	LP3443LT1G	79	LR4054	112
LN8390DT1AG	82	LNZ9F15VT5G	18	LP4098T1G.....	81	LR431AHTSLT1G.....	111
LN8544DT1AG	82	LNZ9F16VT5G	15	LP4101LT1G	79	LR431ALT1G	111
LNB2306ELT1G.....	79	LNZ9F18VT5G	15	LP4404T1G.....	81	LR431APHLT1G	111
LNP2010DT2AG.....	82	LNZ9F20VT5G	15	LP4435T1G.....	81	LR431APLT1G.....	111
LNP2011DT2AG.....	82	LNZ9F22VT5G	15	LP4437T1G.....	81	LR431APTLT1G	111
LNP2601T1G.....	79	LNZ9F24VT5G	15	LP8217DT1AG.....	82	LR431APTSLT1G	111
LNP3011DT2AG.....	82	LNZ9F2V4T5G	15	LP8314DT1AG.....	82	LR431ATLT1G	111
LNP4338T1G.....	81	LNZ9F2V7T5G	15	LP8337DT1AG.....	82	LR431ATSLT1G.....	111
LNTA4001NT1G.....	80	LNZ9F3V0T5G	15	LP9435LT1G	79	LR431BLT1G	111
LNTA7002NT1G.....	80	LNZ9F3V3T5G	15	LPB2305LT1G.....	79	LR431BPLT1G	111
LNTK3043NT5G.....	80	LNZ9F3V6T5G	15	LPB3407LT1G.....	79	LR431BPPLT1G.....	111
LNTK3043PT5G	80	LNZ9F3V9T5G	15	LPB3443LT1G.....	79	LR431BTLT1G	111
LNTK4003M3T5G.....	80	LNZ9F4V3T5G	15	LR072	110	LR432AALT1G	111
LNTR4003NLT1G.....	80	LNZ9F4V7T5G	15	LR074	110	LR432ALT1G	111
LNTS4409NWT1G.....	80	LNZ9F5V1T5G	15	LR1001	115	LR432ATLT1G	111
LNZ8F10VT5G	16	LNZ9F5V1T5G	18	LR1105LT1G	66	LR432BTLT1G	111
LNZ8F11VT5G	16	LNZ9F5V6T5G	15	LR1117C.....	112	LR4558	111
LNZ8F12VT5G	16	LNZ9F5V6T5G	18	LR1117D.....	112	LR4580	110
LNZ8F13VT5G	16	LNZ9F6V2T5G	15	LR1551	113	LR4890	112
LNZ8F15VT5G	16	LNZ9F6V8T5G	15	LR1554	113	LR6200	112
LNZ8F16VT5G	16	LNZ9F7V5T5G	15	LR2003A.....	113	LR6205	112
LNZ8F18VT5G	16	LNZ9F8V2T5G	15	LR2003L.....	113	LR6212	112
LNZ8F20VT5G	16	LNZ9F9V1T5G	15	LR2105LT1G.....	66	LR6219	112
LNZ8F22VT5G	16	LP0404N3T5G.....	81	LR24C02XL.....	115	LR6230	112
LNZ8F24VT5G	16	LP1480WT1G.....	79	LR24C08.....	115	LR6232	112
LNZ8F24V4T5G	16	LP1485WT1G.....	79	LR24C128.....	115	LR6275	112
LNZ8F2V7T5G	16	LP1488WT1G.....	79	LR24C16.....	115	LR6300	112
LNZ8F3V0T5G	16	LP2301ALT1G.....	79	LR24C256.....	115	LR6302	112
LNZ8F3V3T5G	16	LP2301BLT1G.....	79	LR24C32.....	115	LR6311.....	112
LNZ8F3V6T5G	16	LP2301ELT1G.....	79	LR24C512.....	115	LR6375	112
LNZ8F3V9T5G	16	LP2301ILT1G	79	LR24C64.....	115	LR7805	113
LNZ8F4V3T5G	16	LP2305ALT1G.....	79	LR25D16S	115	LR7805D.....	113
LNZ8F4V7T5G	16	LP2305DSL1G	79	LR25D20L	115	LR7806	113
LNZ8F5V1T5G	16	LP2305LT1G	79	LR25D40L	115	LR7807	113
LNZ8F5V6T5G	16	LP2307LT1G	79	LR25D40S	115	LR7808	113
LNZ8F6V2T5G	16	LP2309LT1G	79	LR25D80S	115	LR7809	113
LNZ8F6V8T5G	16	LP2317DT2AG.....	82	LR25Q32S	115	LR7810	113
LNZ8F7V5T5G	16	LP2501DT1G.....	82	LR25Q64S	115	LR7812	113

Device	Page	Device	Page	Device	Page	Device	Page
LR7815	113	LRB520BS-40T5G	3	LSI1012LT1G	80	LUDZS10BT1G	19
LR7818	113	LRB520CS-30T5G	3	LSI1012N3T5G	82	LUDZS10MBT1G	15
LR7824	113	LRB520G-30T1G	3	LSI1012XT1G	80	LUDZS11BT1G	19
LR78L05	113	LRB520S-30T1G	3	LSI1013LT1G	80	LUDZS11MBT1G	15
LR78L06	113	LRB520S-40T1G	3	LSI1013XT1G	80	LUDZS12BT1G	19
LR78L08	113	LRB521BS-30T5G	3	LSRV04W-4AT1G	65	LUDZS12MBT1G	15
LR78L09	113	LRB521BS-40T5G	3	LSRV04W-4DT1G	65	LUDZS13BT1G	19
LR78L12	113	LRB521CS-30T5G	3	LSTZ5.6NLT1G	30	LUDZS13MBT1G	15
LR78L15	113	LRB521CS-40T5G	3	LTL431AHLT1G	111	LUDZS15BT1G	19
LR78L18	113	LRB521G-30T1G	3	LTL431ALT1G	111	LUDZS15MBT1G	15
LR78L24	113	LRB521S-30T1G	3	LTL431APHLT1G	111	LUDZS16BT1G	19
LR78M05D	113	LRB521S-40T1G	4	LTL431APLT1G	111	LUDZS16MBT1G	15
LR78M08	113	LRB550V-30T1G	4	LTL431APT1G	111	LUDZS18BT1G	19
LR78M12D	113	LRB551BS-30BT5G	3	LTL431APTSLT1G	111	LUDZS18MBT1G	15
LR8061	112	LRB551BS-30T5G	3	LTL431ATLT1G	111	LUDZS2.0BT1G	19
LR8064	112	LRB551V-30T1G	4	LTL431ATSLT1G	111	LUDZS2.2BT1G	19
LR8095	110	LRB706F-40T1G	12	LTL431BHLT1G	111	LUDZS2.4BT1G	19
LR8301A	110	LRB715FT1G	12	LTL431BLT1G	111	LUDZS2.7BT1G	19
LR8301B	110	LRB715WT1G	12	LTL431BPLT1G	111	LUDZS20BT1G	19
LR8301C	110	LRB751BS-40T5G	3	LTL431BPTLT1G	111	LUDZS20MBT1G	15
LR8301D	110	LRB751CS-40T5G	3	LTL431BTLT1G	111	LUDZS22BT1G	19
LR8303	110	LRB751G-40T1G	3	LTL432ATLT1G	111	LUDZS22MBT1G	15
LR8304	110	LRB751S-40T1G	3	LTL432BTLT1G	111	LUDZS24BT1G	19
LR8400	110	LRB751V-40T1G	3	LTVS16H12T5G	66	LUDZS24MBT1G	15
LR8401A/B	110	LRC099-04ABT1G	65	LTVS16H4.5CT5G	66	LUDZS27BT1G	20
LR8406	110	LRC099-04AT1G	65	LTVS16H5.0ET5G	66	LUDZS27MBT1G	15
LR8421	110	LRC099-04BT1G	65	LTVS16H5.0T5G	66	LUDZS3.0BT1G	19
LR8425	110	LRC099-04CT1G	65	LTVS16H7.0T5G	66	LUDZS3.3BT1G	19
LR8501	110	LRC099-04DT1G	65	LTVS2013H4.5CT5G	66	LUDZS3.6BT1G	19
LR8503	110	LRC1043-04DT1G	65	LTVS2018H12T5G	66	LUDZS3.6MBT1G	14
LR8503	112	LRC1043-8DT2AG	65	LTVS2018H22T5G	66	LUDZS3.9BT1G	19
LR8506	110	LRC1045-08DT2AG	65	LTVS20H10T5G	66	LUDZS3.9MBT1G	14
LR8509	110	LRC1161DT5G	65	LTVS20H12AT5G	66	LUDZS30BT1G	20
LR8558	112	LRC199-04AT1G	65	LTVS20H12FT5G	66	LUDZS30MBT1G	15
LR8563	112	LRC199-04BT1G	65	LTVS20H12GT5G	66	LUDZS33BT1G	20
LR9198	112	LRC399-04AT1G	65	LTVS20H12T5G	66	LUDZS33MBT1G	15
LR9382C	110	LRC6N32YT1G	83	LTVS20H15T5G	66	LUDZS36BT1G	20
LR9641	110	LRC6N33YT1G	83	LTVS20H18T5G	66	LUDZS36MBT1G	15
LR9908	110	LRC8804AT1G	65	LTVS20H4.5CT5G	66	LUDZS4.3BT1G	19
LRB411DLT1G	12	LRC8804BT1G	65	LTVS20H5.0T5G	66	LUDZS4.3MBT1G	14
LRB421LT1G	12	LRC8804DT1G	65	LTVS20H7.0T5G	66	LUDZS4.7BT1G	19
LRB461WT1G	12	LRC8804FDT1G	65	LTVS32H12T5G	66	LUDZS4.7MBT1G	14
LRB491DLT1G	12	LRC8806DT1G	65	LTVS32H5.0T5G	66	LUDZS5.1BT1G	19
LRB500V-40T1G	3	LRX102UT1G	77	LTVS32H7.0T5G	66	LUDZS5.1MBT1G	14
LRB501V-40T1G	3	LSD05T1G	64	LTVS8H4.5CAT5G	66	LUDZS5.6BT1G	19
LRB520BS-30T5G	3	LSD12T1G	64	LTVS8H4.5CT5G	66	LUDZS5.6MBT1G	14



Device	Page	Device	Page	Device	Page	Device	Page
LUDZS6.2BT1G.....	19	LUR105.....	42	MP508M.....	102	P4KE16A.....	56
LUDZS6.2MBT1G.....	14	LUR110.....	42	P4KE10.....	56	P4KE16C.....	56
LUDZS6.8BT1G.....	19	LUR1100.....	42	P4KE100.....	57	P4KE16CA.....	56
LUDZS6.8MBT1G.....	14	LUR115.....	42	P4KE100A.....	57	P4KE170.....	57
LUDZS7.5BT1G.....	19	LUR120.....	42	P4KE100C.....	57	P4KE170A.....	57
LUDZS7.5MBT1G.....	14	LUR140.....	42	P4KE100CA.....	57	P4KE170C.....	57
LUDZS8.2BT1G.....	19	LUR150.....	42	P4KE10A.....	56	P4KE170CA.....	57
LUDZS8.2MBT1G.....	14	LUR160.....	42	P4KE10C.....	56	P4KE18.....	56
LUDZS9.1BT1G.....	19	LUR180.....	42	P4KE10CA.....	56	P4KE180.....	57
LUDZS9.1MBT1G.....	14	LUR405.....	46	P4KE11.....	56	P4KE180A.....	57
LUMA105.....	35	LUR410.....	46	P4KE110.....	57	P4KE180C.....	57
LUMA110.....	35	LUR415.....	46	P4KE110A.....	57	P4KE180CA.....	57
LUMA115.....	35	LUR420.....	46	P4KE110C.....	57	P4KE18A.....	56
LUMA120.....	35	LUR440.....	46	P4KE110CA.....	57	P4KE18C.....	56
LUMA140.....	35	LUR450.....	46	P4KE11A.....	56	P4KE18CA.....	56
LUMA150.....	35	LUR460.....	46	P4KE11C.....	56	P4KE20.....	56
LUMA160.....	35	LX8050QLT1G.....	67	P4KE11CA.....	56	P4KE200.....	57
LUMB105.....	39	MP351.....	100	P4KE12.....	56	P4KE200A.....	57
LUMB110.....	39	MP3510.....	100	P4KE120.....	57	P4KE200C.....	57
LUMB115.....	39	MP3510M.....	102	P4KE120A.....	57	P4KE200CA.....	57
LUMB120.....	39	MP3510W.....	101	P4KE120C.....	57	P4KE20A.....	56
LUMB140.....	39	MP351M.....	102	P4KE120CA.....	57	P4KE20C.....	56
LUMB150.....	39	MP351W.....	101	P4KE12A.....	56	P4KE20CA.....	56
LUMB160.....	39	MP352.....	100	P4KE12C.....	56	P4KE22.....	56
LUMB205.....	39	MP352M.....	102	P4KE12CA.....	56	P4KE220.....	57
LUMB210.....	39	MP352W.....	101	P4KE13.....	56	P4KE220A.....	58
LUMB215.....	39	MP354.....	100	P4KE130.....	57	P4KE220C.....	57
LUMB220.....	39	MP354M.....	102	P4KE130A.....	57	P4KE220CA.....	58
LUMB240.....	39	MP354W.....	101	P4KE130C.....	57	P4KE22A.....	56
LUMB250.....	39	MP356.....	100	P4KE130CA.....	57	P4KE22C.....	56
LUMB260.....	39	MP356M.....	102	P4KE13A.....	56	P4KE22CA.....	56
LUMBF105.....	39	MP356W.....	101	P4KE13C.....	56	P4KE24.....	56
LUMBF110.....	39	MP358.....	100	P4KE13CA.....	56	P4KE24A.....	56
LUMBF115.....	39	MP358M.....	102	P4KE15.....	56	P4KE24C.....	56
LUMBF120.....	39	MP358W.....	101	P4KE150.....	57	P4KE24CA.....	56
LUMBF140.....	39	MP501.....	100	P4KE150A.....	57	P4KE250.....	58
LUMBF150.....	39	MP5010.....	100	P4KE150C.....	57	P4KE250A.....	58
LUMBF160.....	39	MP5010M.....	102	P4KE150CA.....	57	P4KE250C.....	58
LUMBF205.....	39	MP501M.....	102	P4KE15A.....	56	P4KE250CA.....	58
LUMBF210.....	39	MP502.....	100	P4KE15C.....	56	P4KE27.....	56
LUMBF215.....	39	MP502M.....	102	P4KE15CA.....	56	P4KE27A.....	56
LUMBF220.....	39	MP504.....	100	P4KE16.....	56	P4KE27C.....	56
LUMBF240.....	39	MP504M.....	102	P4KE160.....	57	P4KE27CA.....	56
LUMBF250.....	39	MP506.....	100	P4KE160A.....	57	P4KE30.....	56
LUMBF260.....	39	MP506M.....	102	P4KE160C.....	57	P4KE300.....	58
LUMG2NT1G.....	77	MP508.....	100	P4KE160CA.....	57	P4KE300A.....	58

Device	Page	Device	Page	Device	Page	Device	Page
P4KE300C	58	P4KE6.8A	56	P6KE110C	59	P6KE18A	58
P4KE300CA	58	P4KE6.8C	56	P6KE110CA	59	P6KE18C	58
P4KE30A	56	P4KE6.8CA	56	P6KE11A	58	P6KE18CA	58
P4KE30C	56	P4KE62	57	P6KE11C	58	P6KE20	58
P4KE30CA	56	P4KE62A	57	P6KE11CA	58	P6KE200	60
P4KE33	56	P4KE62C	57	P6KE12	58	P6KE200A	60
P4KE33A	56	P4KE62CA	57	P6KE120	59	P6KE200C	60
P4KE33C	56	P4KE68	57	P6KE120A	59	P6KE200CA	60
P4KE33CA	56	P4KE68A	57	P6KE120C	59	P6KE20A	58
P4KE350	58	P4KE68C	57	P6KE120CA	59	P6KE20C	58
P4KE350A	58	P4KE68CA	57	P6KE12A	58	P6KE20CA	58
P4KE350C	58	P4KE7.5	56	P6KE12C	58	P6KE22	58
P4KE350CA	58	P4KE7.5A	56	P6KE12CA	58	P6KE220	60
P4KE36	56	P4KE7.5C	56	P6KE13	58	P6KE220A	60
P4KE36A	57	P4KE7.5CA	56	P6KE130	59	P6KE220C	60
P4KE36C	56	P4KE75	57	P6KE130A	59	P6KE220CA	60
P4KE36CA	57	P4KE75A	57	P6KE130C	59	P6KE22A	58
P4KE39	57	P4KE75C	57	P6KE130CA	59	P6KE22C	58
P4KE39A	57	P4KE75CA	57	P6KE13A	58	P6KE22CA	58
P4KE39C	57	P4KE8.2	56	P6KE13C	58	P6KE24	58
P4KE39CA	57	P4KE8.2A	56	P6KE13CA	58	P6KE24A	58
P4KE400	58	P4KE8.2C	56	P6KE15	58	P6KE24C	58
P4KE400A	58	P4KE8.2CA	56	P6KE150	59	P6KE24CA	58
P4KE400C	58	P4KE82	57	P6KE150A	59	P6KE250	60
P4KE400CA	58	P4KE82A	57	P6KE150C	59	P6KE250A	60
P4KE43	57	P4KE82C	57	P6KE150CA	59	P6KE250C	60
P4KE43A	57	P4KE82CA	57	P6KE15A	58	P6KE250CA	60
P4KE43C	57	P4KE9.1	56	P6KE15C	58	P6KE27	58
P4KE43CA	57	P4KE9.1A	56	P6KE15CA	58	P6KE27A	59
P4KE440	58	P4KE9.1C	56	P6KE16	58	P6KE27C	58
P4KE440A	58	P4KE9.1CA	56	P6KE160	59	P6KE27CA	59
P4KE440C	58	P4KE91	57	P6KE160A	59	P6KE30	59
P4KE440CA	58	P4KE91A	57	P6KE160C	59	P6KE300	60
P4KE47	57	P4KE91C	57	P6KE160CA	59	P6KE300A	60
P4KE47A	57	P4KE91CA	57	P6KE16A	58	P6KE300C	60
P4KE47C	57	P6KE10	58	P6KE16C	58	P6KE300CA	60
P4KE47CA	57	P6KE100	59	P6KE16CA	58	P6KE30A	59
P4KE51	57	P6KE100A	59	P6KE170	59	P6KE30C	59
P4KE51A	57	P6KE100C	59	P6KE170A	60	P6KE30CA	59
P4KE51C	57	P6KE100CA	59	P6KE170C	59	P6KE33	59
P4KE51CA	57	P6KE10A	58	P6KE170CA	60	P6KE33A	59
P4KE56	57	P6KE10C	58	P6KE18	58	P6KE33C	59
P4KE56A	57	P6KE10CA	58	P6KE180	60	P6KE33CA	59
P4KE56C	57	P6KE11	58	P6KE180A	60	P6KE350	60
P4KE56CA	57	P6KE110	59	P6KE180C	60	P6KE350A	60
P4KE6.8	56	P6KE110A	59	P6KE180CA	60	P6KE350C	60



Device	Page	Device	Page	Device	Page	Device	Page
P6KE350CA.....	60	P6KE7.5A	58	P6SMA16CA	51	P6SMA8.2CA	51
P6KE36.....	59	P6KE7.5C	58	P6SMA170A.....	52	P6SMA82A.....	52
P6KE36A.....	59	P6KE7.5CA.....	58	P6SMA170CA.....	52	P6SMA82CA.....	52
P6KE36C.....	59	P6KE75.....	59	P6SMA180A.....	52	P6SMA9.1A.....	51
P6KE36CA.....	59	P6KE75A.....	59	P6SMA180CA.....	52	P6SMA9.1CA.....	51
P6KE39.....	59	P6KE75C.....	59	P6SMA18A.....	51	P6SMA91A.....	52
P6KE39A.....	59	P6KE75CA.....	59	P6SMA18CA.....	51	P6SMA91CA.....	52
P6KE39C.....	59	P6KE8.2.....	58	P6SMA200A.....	52	P6SMAF100A.....	53
P6KE39CA.....	59	P6KE8.2A.....	58	P6SMA200CA.....	52	P6SMAF100CA.....	53
P6KE400.....	60	P6KE8.2C.....	58	P6SMA20A.....	52	P6SMAF10A.....	52
P6KE400A.....	60	P6KE8.2CA.....	58	P6SMA20CA.....	52	P6SMAF10CA.....	52
P6KE400C.....	60	P6KE82.....	59	P6SMA220A.....	52	P6SMAF110A.....	53
P6KE400CA.....	60	P6KE82A.....	59	P6SMA220CA.....	52	P6SMAF110CA.....	53
P6KE43.....	59	P6KE82C.....	59	P6SMA22A.....	52	P6SMAF11A.....	52
P6KE43A.....	59	P6KE82CA.....	59	P6SMA22CA.....	52	P6SMAF11CA.....	52
P6KE43C.....	59	P6KE9.1.....	58	P6SMA24A.....	52	P6SMAF120A.....	53
P6KE43CA.....	59	P6KE9.1A.....	58	P6SMA24CA.....	52	P6SMAF120CA.....	53
P6KE440.....	60	P6KE9.1C.....	58	P6SMA27A.....	52	P6SMAF12A.....	52
P6KE440A.....	60	P6KE9.1CA.....	58	P6SMA27CA.....	52	P6SMAF12CA.....	52
P6KE440C.....	60	P6KE91.....	59	P6SMA30A.....	52	P6SMAF130A.....	53
P6KE440CA.....	60	P6KE91A.....	59	P6SMA30CA.....	52	P6SMAF130CA.....	53
P6KE47.....	59	P6KE91C.....	59	P6SMA33A.....	52	P6SMAF13A.....	52
P6KE47A.....	59	P6KE91CA.....	59	P6SMA33CA.....	52	P6SMAF13CA.....	52
P6KE47C.....	59	P6SMA100A.....	52	P6SMA36A.....	52	P6SMAF150A.....	53
P6KE47CA.....	59	P6SMA100CA.....	52	P6SMA36CA.....	52	P6SMAF150CA.....	53
P6KE51.....	59	P6SMA10A.....	51	P6SMA39A.....	52	P6SMAF15A.....	52
P6KE51A.....	59	P6SMA10CA.....	51	P6SMA39CA.....	52	P6SMAF15CA.....	52
P6KE51C.....	59	P6SMA110A.....	52	P6SMA43A.....	52	P6SMAF160A.....	53
P6KE51CA.....	59	P6SMA110CA.....	52	P6SMA43CA.....	52	P6SMAF160CA.....	53
P6KE56.....	59	P6SMA11A.....	51	P6SMA47A.....	52	P6SMAF16A.....	52
P6KE56A.....	59	P6SMA11CA.....	51	P6SMA47CA.....	52	P6SMAF16CA.....	52
P6KE56C.....	59	P6SMA120A.....	52	P6SMA51A.....	52	P6SMAF170A.....	53
P6KE56CA.....	59	P6SMA120CA.....	52	P6SMA51CA.....	52	P6SMAF170CA.....	53
P6KE6.8.....	58	P6SMA12A.....	51	P6SMA56A.....	52	P6SMAF180A.....	53
P6KE6.8A.....	58	P6SMA12CA.....	51	P6SMA56CA.....	52	P6SMAF180CA.....	53
P6KE6.8C.....	58	P6SMA130A.....	52	P6SMA6.8A.....	51	P6SMAF18A.....	52
P6KE6.8CA.....	58	P6SMA130CA.....	52	P6SMA6.8CA.....	51	P6SMAF18CA.....	52
P6KE62.....	59	P6SMA13A.....	51	P6SMA62A.....	52	P6SMAF200A.....	53
P6KE62A.....	59	P6SMA13CA.....	51	P6SMA62CA.....	52	P6SMAF200CA.....	53
P6KE62C.....	59	P6SMA150A.....	52	P6SMA68A.....	52	P6SMAF20A.....	52
P6KE62CA.....	59	P6SMA150CA.....	52	P6SMA68CA.....	52	P6SMAF20CA.....	52
P6KE68.....	59	P6SMA15A.....	51	P6SMA7.5A.....	51	P6SMAF220A.....	53
P6KE68A.....	59	P6SMA15CA.....	51	P6SMA7.5CA.....	51	P6SMAF220CA.....	53
P6KE68C.....	59	P6SMA160A.....	52	P6SMA75A.....	52	P6SMAF22A.....	52
P6KE68CA.....	59	P6SMA160CA.....	52	P6SMA75CA.....	52	P6SMAF22CA.....	52
P6KE7.5.....	58	P6SMA16A.....	51	P6SMA8.2A.....	51	P6SMAF24A.....	53

Device	Page	Device	Page	Device	Page	Device	Page
P6SMAF24CA.....	53	PSD3504M.....	106	RS2DB.....	37	S25VB80M.....	102
P6SMAF27A.....	53	PSD3508.....	105	RS2DBF.....	37	S25VB80W.....	101
P6SMAF27CA.....	53	PSD3508M.....	106	RS2GB.....	37	S2AB.....	39
P6SMAF30A.....	53	PSD3512.....	105	RS2GBF.....	37	S2ABF.....	40
P6SMAF30CA.....	53	PSD3512M.....	106	RS2JB.....	37	S2BB.....	39
P6SMAF33A.....	53	PSD3514M.....	106	RS2JBF.....	37	S2BBF.....	40
P6SMAF33CA.....	53	PSD3516.....	105	RS2KB.....	37	S2DB.....	39
P6SMAF36A.....	53	PSD3516M.....	106	RS2KBF.....	37	S2DBF.....	40
P6SMAF36CA.....	53	PSD5004.....	105	RS2MB.....	37	S2GB.....	39
P6SMAF39A.....	53	PSD5008.....	105	RS2MBF.....	37	S2GBF.....	40
P6SMAF39CA.....	53	PSD5012.....	105	RS2MPB.....	37	S2JB.....	39
P6SMAF43A.....	53	PSD5016.....	105	RS2MPBF.....	37	S2JBF.....	40
P6SMAF43CA.....	53	RGP10A.....	41	S15VB10.....	99	S2KB.....	39
P6SMAF47A.....	53	RGP10B.....	41	S15VB100.....	99	S2KBF.....	40
P6SMAF47CA.....	53	RGP10D.....	41	S15VB100M.....	102	S2MB.....	39
P6SMAF51A.....	53	RGP10G.....	41	S15VB100W.....	101	S2MBF.....	40
P6SMAF51CA.....	53	RGP10J.....	41	S15VB10M.....	102	S3AB.....	40
P6SMAF56A.....	53	RGP10K.....	41	S15VB10W.....	101	S3ABF.....	40
P6SMAF56CA.....	53	RGP10M.....	41	S15VB20.....	99	S3BB.....	40
P6SMAF6.8A.....	52	RGP10MA.....	41	S15VB20M.....	102	S3BBF.....	40
P6SMAF6.8CA.....	52	RGP15A.....	43	S15VB20W.....	101	S3DB.....	40
P6SMAF62A.....	53	RGP15B.....	43	S15VB40.....	99	S3DBF.....	40
P6SMAF62CA.....	53	RGP15D.....	43	S15VB40M.....	102	S3GB.....	40
P6SMAF68A.....	53	RGP15G.....	44	S15VB40W.....	101	S3GBF.....	40
P6SMAF68CA.....	53	RGP15J.....	44	S15VB60.....	99	S3JB.....	40
P6SMAF7.5A.....	52	RGP15K.....	44	S15VB60M.....	102	S3JBF.....	40
P6SMAF7.5CA.....	52	RGP15M.....	44	S15VB60W.....	101	S3KB.....	40
P6SMAF75A.....	53	RGP15MA.....	44	S15VB80.....	99	S3KBF.....	40
P6SMAF75CA.....	53	RGP30A.....	45	S15VB80M.....	102	S3MB.....	40
P6SMAF8.2A.....	52	RGP30B.....	45	S15VB80W.....	101	S3MBF.....	40
P6SMAF8.2CA.....	52	RGP30D.....	45	S25VB10.....	100	SB10100.....	11
P6SMAF82A.....	53	RGP30G.....	45	S25VB100.....	100	SB1035.....	11
P6SMAF82CA.....	53	RGP30J.....	45	S25VB100M.....	102	SB1045.....	11
P6SMAF9.1A.....	52	RGP30K.....	45	S25VB100W.....	101	SB1050.....	11
P6SMAF9.1CA.....	52	RGP30M.....	45	S25VB10M.....	102	SB1060.....	11
P6SMAF91A.....	53	RL151G.....	43	S25VB10W.....	101	SB1080.....	11
P6SMAF91CA.....	53	RL152G.....	43	S25VB20.....	100	SB1100.....	5
PSD2504.....	105	RL153G.....	43	S25VB20M.....	102	SB120.....	5
PSD2504M.....	106	RL154G.....	43	S25VB20W.....	101	SB12100.....	11
PSD2508.....	105	RL155G.....	43	S25VB40.....	100	SB1235.....	11
PSD2508M.....	106	RL156G.....	43	S25VB40M.....	102	SB1245.....	11
PSD2512.....	105	RL157G.....	43	S25VB40W.....	101	SB1250.....	11
PSD2512M.....	106	RS2AB.....	37	S25VB60.....	100	SB1260.....	11
PSD2516.....	105	RS2ABF.....	37	S25VB60M.....	102	SB1280.....	11
PSD2516M.....	106	RS2BB.....	37	S25VB60W.....	101	SB130.....	5
PSD3504.....	105	RS2BBF.....	37	S25VB80.....	100	SB140.....	5



Device	Page	Device	Page	Device	Page	Device	Page
SB150.....	5	SB8100.....	11	SF13G.....	41	SM120A.....	5
SB15100.....	11	SB8100-HE.....	11	SF14G.....	41	SM120AF.....	4
SB1535.....	11	SB820.....	10	SF15G.....	41	SM130A.....	5
SB1545.....	11	SB820-HE.....	11	SF16G.....	41	SM130AF.....	4
SB1550.....	11	SB830.....	10	SF17G.....	41	SM140A.....	5
SB1560.....	11	SB830-HE.....	11	SF18G.....	42	SM140AF.....	4
SB1580.....	11	SB840.....	10	SF21G.....	44	SM150A.....	5
SB160.....	5	SB840-HE.....	11	SF22G.....	44	SM150AF.....	4
SB180.....	5	SB850.....	11	SF23G.....	44	SM160A.....	5
SB190.....	5	SB850-HE.....	11	SF24G.....	44	SM160AF.....	4
SB20100.....	11	SB860.....	11	SF25G.....	44	SM180A.....	5
SB2035.....	11	SB860-HE.....	11	SF26G.....	44	SM180AF.....	4
SB2045.....	11	SB880.....	11	SF27G.....	44	SM190A.....	5
SB2050.....	11	SB880-HE.....	11	SF28G.....	44	SM2100A.....	6
SB2060.....	11	SBR10100.....	10	SF31G.....	46	SM2100AF.....	5
SB2080.....	11	SBR10100L.....	10	SF32G.....	46	SM2100B.....	6
SB2100.....	6	SBR10150.....	10	SF33G.....	46	SM2100BF.....	6
SB2150.....	7	SBR10200.....	10	SF34G.....	46	SM2150AF.....	5
SB220.....	6	SBR1045.....	10	SF35G.....	46	SM2150B.....	6
SB2200.....	7	SBR1045.....	12	SF36G.....	46	SM2150BF.....	6
SB230.....	6	SBR1045L.....	10	SF38G.....	46	SM2200AF.....	5
SB240.....	6	SBR1045L.....	12	SF51G.....	46	SM2200B.....	6
SB250.....	6	SBR1060.....	10	SF52G.....	46	SM2200BF.....	6
SB260.....	6	SBR12100.....	10	SF53G.....	46	SM220A.....	6
SB280.....	6	SBR12100.....	12	SF54G.....	47	SM220AF.....	5
SB290.....	6	SBR12200.....	10	SF55G.....	47	SM220B.....	6
SB3100.....	8	SBR1245.....	10	SF56G.....	47	SM220BF.....	5
SB3150.....	8	SBR1260.....	10	SF58G.....	47	SM230A.....	6
SB320.....	8	SBR15100.....	10	SF601G.....	47	SM230AF.....	5
SB3200.....	8	SBR15200.....	10	SF602G.....	47	SM230B.....	6
SB330.....	8	SBR1545.....	10	SF603G.....	47	SM230BF.....	5
SB340.....	8	SBR1560.....	10	SF604G.....	47	SM240A.....	6
SB350.....	8	SBR2060.....	10	SF605G.....	47	SM240AF.....	5
SB360.....	8	SBR3100.....	9	SF606G.....	47	SM240B.....	6
SB380.....	8	SBR340.....	9	SF608G.....	47	SM240BF.....	5
SB390.....	8	SBR360.....	9	SF61G.....	47	SM250A.....	6
SB5100.....	10	SBR5100.....	10	SF62G.....	47	SM250AF.....	5
SB5150.....	10	SBR5100.....	12	SF63G.....	47	SM250B.....	6
SB520.....	10	SBR5150.....	10	SF64G.....	47	SM250BF.....	5
SB5200.....	10	SBR5200.....	10	SF65G.....	47	SM260A.....	6
SB530.....	10	SBR540.....	10	SF66G.....	47	SM260AF.....	5
SB540.....	10	SBR560.....	10	SF68G.....	47	SM260B.....	6
SB550.....	10	SBR8100.....	10	SM1100A.....	5	SM260BF.....	6
SB560.....	10	SBR845.....	10	SM1100AF.....	4	SM280A.....	6
SB580.....	10	SF11G.....	41	SM1150AF.....	4	SM280AF.....	5
SB590.....	10	SF12G.....	41	SM1200AF.....	4	SM280B.....	6

Device	Page	Device	Page	Device	Page	Device	Page
SM280BF.....	6	SM5150BF.....	8	SM590A.....	9	SMAFJ26CA.....	51
SM290A.....	6	SM5200AF.....	8	SMAFJ100A.....	51	SMAFJ28A.....	51
SM3100A.....	7	SM5200B.....	9	SMAFJ100CA.....	51	SMAFJ28CA.....	51
SM3100AF.....	7	SM5200BF.....	8	SMAFJ10A.....	50	SMAFJ30A.....	51
SM3100B.....	8	SM520A.....	9	SMAFJ10CA.....	50	SMAFJ30CA.....	51
SM3100BF.....	7	SM520AF.....	8	SMAFJ110A.....	51	SMAFJ33A.....	51
SM3150AF.....	7	SM520AF-E.....	9	SMAFJ110CA.....	51	SMAFJ33CA.....	51
SM3150B.....	8	SM520B.....	8	SMAFJ11A.....	50	SMAFJ36A.....	51
SM3150BF.....	7	SM520B-E.....	9	SMAFJ11CA.....	50	SMAFJ36CA.....	51
SM3200AF.....	7	SM520BF.....	8	SMAFJ120A.....	51	SMAFJ40A.....	51
SM3200B.....	8	SM520BF-E.....	9	SMAFJ120CA.....	51	SMAFJ40CA.....	51
SM3200BF.....	7	SM530A.....	9	SMAFJ12A.....	50	SMAFJ43A.....	51
SM320A.....	7	SM530AF.....	8	SMAFJ12CA.....	50	SMAFJ43CA.....	51
SM320AF.....	7	SM530AF-E.....	10	SMAFJ130A.....	51	SMAFJ45A.....	51
SM320B.....	7	SM530B.....	8	SMAFJ130CA.....	51	SMAFJ45CA.....	51
SM320BF.....	7	SM530B-E.....	9	SMAFJ13A.....	50	SMAFJ48A.....	51
SM330A.....	7	SM530BF.....	8	SMAFJ13CA.....	50	SMAFJ48CA.....	51
SM330AF.....	7	SM530BF-E.....	9	SMAFJ14A.....	50	SMAFJ5.0A.....	50
SM330B.....	7	SM540A.....	9	SMAFJ14CA.....	50	SMAFJ5.0CA.....	50
SM330BF.....	7	SM540AF.....	8	SMAFJ150A.....	51	SMAFJ51A.....	51
SM340A.....	7	SM540AF-E.....	10	SMAFJ150CA.....	51	SMAFJ51CA.....	51
SM340AF.....	7	SM540B.....	9	SMAFJ15A.....	50	SMAFJ54A.....	51
SM340B.....	8	SM540B-E.....	9	SMAFJ15CA.....	50	SMAFJ54CA.....	51
SM340BF.....	7	SM540BF.....	8	SMAFJ160A.....	51	SMAFJ58A.....	51
SM350A.....	7	SM540BF-E.....	9	SMAFJ160CA.....	51	SMAFJ58CA.....	51
SM350AF.....	7	SM550A.....	9	SMAFJ16A.....	50	SMAFJ6.0A.....	50
SM350B.....	8	SM550AF.....	8	SMAFJ16CA.....	50	SMAFJ6.0CA.....	50
SM350BF.....	7	SM550AF-E.....	9	SMAFJ170A.....	51	SMAFJ6.5A.....	50
SM360A.....	7	SM550B.....	9	SMAFJ170CA.....	51	SMAFJ6.5CA.....	50
SM360AF.....	7	SM550B-E.....	9	SMAFJ17A.....	50	SMAFJ60A.....	51
SM360B.....	8	SM550BF.....	8	SMAFJ17CA.....	50	SMAFJ60CA.....	51
SM360BF.....	7	SM550BF-E.....	9	SMAFJ180A.....	51	SMAFJ64A.....	51
SM380A.....	7	SM560A.....	9	SMAFJ180CA.....	51	SMAFJ64CA.....	51
SM380AF.....	7	SM560AF.....	8	SMAFJ18A.....	50	SMAFJ7.0A.....	50
SM380B.....	8	SM560AF-E.....	9	SMAFJ18CA.....	50	SMAFJ7.0CA.....	50
SM380BF.....	7	SM560B.....	9	SMAFJ190A.....	51	SMAFJ7.5A.....	50
SM390A.....	7	SM560B-E.....	9	SMAFJ190CA.....	51	SMAFJ7.5CA.....	50
SM5100A.....	9	SM560BF.....	8	SMAFJ200A.....	51	SMAFJ70A.....	51
SM5100AF.....	8	SM560BF-E.....	9	SMAFJ200CA.....	51	SMAFJ70CA.....	51
SM5100AF-E.....	9	SM580A.....	9	SMAFJ20A.....	50	SMAFJ75A.....	51
SM5100B.....	9	SM580AF.....	8	SMAFJ20CA.....	50	SMAFJ75CA.....	51
SM5100B-E.....	9	SM580AF-E.....	9	SMAFJ22A.....	50	SMAFJ78A.....	51
SM5100BF.....	8	SM580B.....	9	SMAFJ22CA.....	50	SMAFJ78CA.....	51
SM5100BF-E.....	9	SM580B-E.....	9	SMAFJ24A.....	50	SMAFJ8.0A.....	50
SM5150AF.....	8	SM580BF.....	8	SMAFJ24CA.....	50	SMAFJ8.0CA.....	50
SM5150B.....	9	SM580BF-E.....	9	SMAFJ26A.....	51	SMAFJ8.5A.....	50



Device	Page	Device	Page	Device	Page	Device	Page
SMAFJ8.5CA.....	50	SMAJ20CA.....	49	SMAJ75CA.....	50	SMBFJ18CA.....	55
SMAFJ85A.....	51	SMAJ22A.....	49	SMAJ78A.....	50	SMBFJ190A.....	56
SMAFJ85CA.....	51	SMAJ22CA.....	49	SMAJ78CA.....	50	SMBFJ190CA.....	56
SMAFJ9.0A.....	50	SMAJ24A.....	49	SMAJ8.0A.....	49	SMBFJ200A.....	56
SMAFJ9.0CA.....	50	SMAJ24CA.....	49	SMAJ8.0CA.....	49	SMBFJ200CA.....	56
SMAFJ90A.....	51	SMAJ26A.....	49	SMAJ8.5A.....	49	SMBFJ20A.....	55
SMAFJ90CA.....	51	SMAJ26CA.....	49	SMAJ8.5CA.....	49	SMBFJ20CA.....	55
SMAJ100A.....	50	SMAJ28A.....	49	SMAJ85A.....	50	SMBFJ220A.....	56
SMAJ100CA.....	50	SMAJ28CA.....	49	SMAJ85CA.....	50	SMBFJ220CA.....	56
SMAJ10A.....	49	SMAJ30A.....	49	SMAJ9.0A.....	49	SMBFJ22A.....	55
SMAJ10CA.....	49	SMAJ30CA.....	49	SMAJ9.0CA.....	49	SMBFJ22CA.....	55
SMAJ110A.....	50	SMAJ33A.....	49	SMAJ90A.....	50	SMBFJ24A.....	55
SMAJ110CA.....	50	SMAJ33CA.....	49	SMAJ90CA.....	50	SMBFJ24CA.....	55
SMAJ11A.....	49	SMAJ36A.....	49	SMBFJ100A.....	55	SMBFJ26A.....	55
SMAJ11CA.....	49	SMAJ36CA.....	49	SMBFJ100CA.....	55	SMBFJ26CA.....	55
SMAJ120A.....	50	SMAJ40A.....	49	SMBFJ10A.....	55	SMBFJ28A.....	55
SMAJ120CA.....	50	SMAJ40CA.....	49	SMBFJ10CA.....	55	SMBFJ28CA.....	55
SMAJ12A.....	49	SMAJ43A.....	49	SMBFJ110A.....	55	SMBFJ30A.....	55
SMAJ12CA.....	49	SMAJ43CA.....	49	SMBFJ110CA.....	55	SMBFJ30CA.....	55
SMAJ130A.....	50	SMAJ45A.....	49	SMBFJ11A.....	55	SMBFJ33A.....	55
SMAJ130CA.....	50	SMAJ45CA.....	49	SMBFJ11CA.....	55	SMBFJ33CA.....	55
SMAJ13A.....	49	SMAJ48A.....	49	SMBFJ120A.....	55	SMBFJ36A.....	55
SMAJ13CA.....	49	SMAJ48CA.....	49	SMBFJ120CA.....	55	SMBFJ36CA.....	55
SMAJ14A.....	49	SMAJ5.0A.....	49	SMBFJ12A.....	55	SMBFJ40A.....	55
SMAJ14CA.....	49	SMAJ5.0CA.....	49	SMBFJ12CA.....	55	SMBFJ40CA.....	55
SMAJ150A.....	50	SMAJ51A.....	50	SMBFJ130A.....	55	SMBFJ43A.....	55
SMAJ150CA.....	50	SMAJ51CA.....	50	SMBFJ130CA.....	55	SMBFJ43CA.....	55
SMAJ15A.....	49	SMAJ54A.....	50	SMBFJ13A.....	55	SMBFJ45A.....	55
SMAJ15CA.....	49	SMAJ54CA.....	50	SMBFJ13CA.....	55	SMBFJ45CA.....	55
SMAJ160A.....	50	SMAJ58A.....	50	SMBFJ14A.....	55	SMBFJ48A.....	55
SMAJ160CA.....	50	SMAJ58CA.....	50	SMBFJ14CA.....	55	SMBFJ48CA.....	55
SMAJ16A.....	49	SMAJ6.0A.....	49	SMBFJ150A.....	55	SMBFJ5.0A.....	54
SMAJ16CA.....	49	SMAJ6.0CA.....	49	SMBFJ150CA.....	55	SMBFJ5.0CA.....	54
SMAJ170A.....	50	SMAJ6.5A.....	49	SMBFJ15A.....	55	SMBFJ51A.....	55
SMAJ170CA.....	50	SMAJ6.5CA.....	49	SMBFJ15CA.....	55	SMBFJ51CA.....	55
SMAJ17A.....	49	SMAJ60A.....	50	SMBFJ160A.....	55	SMBFJ54A.....	55
SMAJ17CA.....	49	SMAJ60CA.....	50	SMBFJ160CA.....	55	SMBFJ54CA.....	55
SMAJ180A.....	50	SMAJ64A.....	50	SMBFJ16A.....	55	SMBFJ58A.....	55
SMAJ180CA.....	50	SMAJ64CA.....	50	SMBFJ16CA.....	55	SMBFJ58CA.....	55
SMAJ18A.....	49	SMAJ7.0A.....	49	SMBFJ170A.....	56	SMBFJ6.0A.....	54
SMAJ18CA.....	49	SMAJ7.0CA.....	49	SMBFJ170CA.....	56	SMBFJ6.0CA.....	54
SMAJ190A.....	50	SMAJ7.5A.....	49	SMBFJ17A.....	55	SMBFJ6.5A.....	54
SMAJ190CA.....	50	SMAJ7.5CA.....	49	SMBFJ17CA.....	55	SMBFJ6.5CA.....	54
SMAJ200A.....	50	SMAJ70A.....	50	SMBFJ180A.....	56	SMBFJ60A.....	55
SMAJ200CA.....	50	SMAJ70CA.....	50	SMBFJ180CA.....	56	SMBFJ60CA.....	55
SMAJ20A.....	49	SMAJ75A.....	50	SMBFJ18A.....	55	SMBFJ64A.....	55

Device	Page	Device	Page	Device	Page	Device	Page
SMBFJ64CA.....	55	SMBJ16CA.....	53	SMBJ58CA.....	54	SOD4006-SH.....	32
SMBFJ7.0A.....	54	SMBJ170A.....	54	SMBJ6.0A.....	53	SOD4006T-SH.....	32
SMBFJ7.0CA.....	54	SMBJ170CA.....	54	SMBJ6.0CA.....	53	SOD4007-SH.....	32
SMBFJ7.5A.....	54	SMBJ17A.....	54	SMBJ6.5A.....	53	SOD4007T-SH.....	32
SMBFJ7.5CA.....	54	SMBJ17CA.....	54	SMBJ6.5CA.....	53	SODE1A-SH.....	33
SMBFJ70A.....	55	SMBJ180A.....	54	SMBJ60A.....	54	SODE1B-SH.....	33
SMBFJ70CA.....	55	SMBJ180CA.....	54	SMBJ60CA.....	54	SODE1C-SH.....	33
SMBFJ75A.....	55	SMBJ18A.....	54	SMBJ64A.....	54	SODE1D-SH.....	33
SMBFJ75CA.....	55	SMBJ18CA.....	54	SMBJ64CA.....	54	SODE1F-SH.....	33
SMBFJ78A.....	55	SMBJ190A.....	54	SMBJ7.0A.....	53	SODE1G-SH.....	33
SMBFJ78CA.....	55	SMBJ190CA.....	54	SMBJ7.0CA.....	53	SODE1H-SH.....	33
SMBFJ8.0A.....	55	SMBJ200A.....	54	SMBJ7.5A.....	53	SODE1J-SH.....	33
SMBFJ8.0CA.....	55	SMBJ200CA.....	54	SMBJ7.5CA.....	53	SODF101-SH.....	32
SMBFJ8.5A.....	55	SMBJ20A.....	54	SMBJ70A.....	54	SODF102-SH.....	32
SMBFJ8.5CA.....	55	SMBJ20CA.....	54	SMBJ70CA.....	54	SODF103-SH.....	32
SMBFJ85A.....	55	SMBJ220A.....	54	SMBJ75A.....	54	SODF104-SH.....	32
SMBFJ85CA.....	55	SMBJ220CA.....	54	SMBJ75CA.....	54	SODF105-SH.....	32
SMBFJ9.0A.....	55	SMBJ22A.....	54	SMBJ78A.....	54	SODF106-SH.....	32
SMBFJ9.0CA.....	55	SMBJ22CA.....	54	SMBJ78CA.....	54	SODF107-SH.....	32
SMBFJ90A.....	55	SMBJ24A.....	54	SMBJ8.0A.....	53	SODF151-SH.....	33
SMBFJ90CA.....	55	SMBJ24CA.....	54	SMBJ8.0CA.....	53	SODF151T-SH.....	33
SMBJ100A.....	54	SMBJ26A.....	54	SMBJ8.5A.....	53	SODF152-SH.....	33
SMBJ100CA.....	54	SMBJ26CA.....	54	SMBJ8.5CA.....	53	SODF152T-SH.....	33
SMBJ10A.....	53	SMBJ28A.....	54	SMBJ85A.....	54	SODF153-SH.....	33
SMBJ10CA.....	53	SMBJ28CA.....	54	SMBJ85CA.....	54	SODF153T-SH.....	33
SMBJ110A.....	54	SMBJ30A.....	54	SMBJ9.0A.....	53	SODF154-SH.....	33
SMBJ110CA.....	54	SMBJ30CA.....	54	SMBJ9.0CA.....	53	SODF154T-SH.....	33
SMBJ11A.....	53	SMBJ33A.....	54	SMBJ90A.....	54	SODF155-SH.....	33
SMBJ11CA.....	53	SMBJ33CA.....	54	SMBJ90CA.....	54	SODF155T-SH.....	33
SMBJ120A.....	54	SMBJ36A.....	54	SOD151-SH.....	33	SODF156-SH.....	33
SMBJ120CA.....	54	SMBJ36CA.....	54	SOD152-SH.....	33	SODF156T-SH.....	33
SMBJ12A.....	53	SMBJ40A.....	54	SOD153-SH.....	33	SODF157-SH.....	33
SMBJ12CA.....	53	SMBJ40CA.....	54	SOD154-SH.....	33	SODF157T-SH.....	33
SMBJ130A.....	54	SMBJ43A.....	54	SOD155-SH.....	33	SODHE101-SH.....	32
SMBJ130CA.....	54	SMBJ43CA.....	54	SOD156-SH.....	33	SODHE102-SH.....	32
SMBJ13A.....	53	SMBJ45A.....	54	SOD157-SH.....	33	SODHE103-SH.....	32
SMBJ13CA.....	53	SMBJ45CA.....	54	SOD4001-SH.....	32	SODHE104-SH.....	32
SMBJ14A.....	53	SMBJ48A.....	54	SOD4001T-SH.....	32	SODHE105-SH.....	32
SMBJ14CA.....	53	SMBJ48CA.....	54	SOD4002-SH.....	32	SODHE106-SH.....	32
SMBJ150A.....	54	SMBJ5.0A.....	53	SOD4002T-SH.....	32	SODHE107-SH.....	32
SMBJ150CA.....	54	SMBJ5.0CA.....	53	SOD4003-SH.....	32	SODHE108-SH.....	32
SMBJ15A.....	53	SMBJ51A.....	54	SOD4003T-SH.....	32	SODJ100A-SH.....	49
SMBJ15CA.....	53	SMBJ51CA.....	54	SOD4004-SH.....	32	SODJ100CA-SH.....	49
SMBJ160A.....	54	SMBJ54A.....	54	SOD4004T-SH.....	32	SODJ10A-SH.....	48
SMBJ160CA.....	54	SMBJ54CA.....	54	SOD4005-SH.....	32	SODJ10CA-SH.....	48
SMBJ16A.....	53	SMBJ58A.....	54	SOD4005T-SH.....	32	SODJ110A-SH.....	49



Device	Page	Device	Page	Device	Page	Device	Page
SODJ110CA-SH.....	49	SODJ43CA-SH.....	48	SODSF16-SH.....	32	SS8U60.....	10
SODJ11A-SH.....	48	SODJ45A-SH.....	48	SODSF17-SH.....	32	SSM2045.....	109
SODJ11CA-SH.....	48	SODJ45CA-SH.....	48	SODSF18-SH.....	33	STSB152.....	86
SODJ120A-SH.....	49	SODJ48A-SH.....	48	SODZ100A-SH.....	23	STSB152L.....	86
SODJ120CA-SH.....	49	SODJ48CA-SH.....	48	SODZ10A-SH.....	23	STSB153.....	86
SODJ12A-SH.....	48	SODJ5.0A-SH.....	48	SODZ110A-SH.....	23	STSB153L.....	86
SODJ12CA-SH.....	48	SODJ5.0CA-SH.....	48	SODZ11A-SH.....	23	STSB154.....	86
SODJ130A-SH.....	49	SODJ51A-SH.....	48	SODZ120A-SH.....	23	STSB154L.....	86
SODJ130CA-SH.....	49	SODJ51CA-SH.....	48	SODZ12A-SH.....	23	STSB155.....	86
SODJ13A-SH.....	48	SODJ54A-SH.....	48	SODZ130A-SH.....	23	STSB155L.....	86
SODJ13CA-SH.....	48	SODJ54CA-SH.....	48	SODZ13A-SH.....	23	STSB156.....	86
SODJ14A-SH.....	48	SODJ58A-SH.....	48	SODZ150A-SH.....	23	STSB156L.....	86
SODJ14CA-SH.....	48	SODJ58CA-SH.....	48	SODZ15A-SH.....	23	STSB157.....	86
SODJ150A-SH.....	49	SODJ6.0A-SH.....	48	SODZ160A-SH.....	23	STSB202.....	86
SODJ150CA-SH.....	49	SODJ6.0CA-SH.....	48	SODZ16A-SH.....	23	STSB202L.....	86
SODJ15A-SH.....	48	SODJ6.5A-SH.....	48	SODZ180A-SH.....	23	STSB203.....	86
SODJ15CA-SH.....	48	SODJ6.5CA-SH.....	48	SODZ18A-SH.....	23	STSB203L.....	86
SODJ160A-SH.....	49	SODJ60A-SH.....	48	SODZ200A-SH.....	23	STSB204.....	86
SODJ160CA-SH.....	49	SODJ60CA-SH.....	48	SODZ20A-SH.....	23	STSB204L.....	86
SODJ16A-SH.....	48	SODJ64A-SH.....	48	SODZ22A-SH.....	23	STSB205.....	86
SODJ16CA-SH.....	48	SODJ64CA-SH.....	48	SODZ24A-SH.....	23	STSB205L.....	86
SODJ170A-SH.....	49	SODJ7.0A-SH.....	48	SODZ27A-SH.....	23	STSB206.....	86
SODJ170CA-SH.....	49	SODJ7.0CA-SH.....	48	SODZ30A-SH.....	23	STSB206L.....	87
SODJ17A-SH.....	48	SODJ7.5A-SH.....	48	SODZ33A-SH.....	23	STSB207.....	86
SODJ17CA-SH.....	48	SODJ7.5CA-SH.....	48	SODZ36A-SH.....	23	STSB252.....	86
SODJ18A-SH.....	48	SODJ70A-SH.....	48	SODZ39A-SH.....	23	STSB252L.....	87
SODJ18CA-SH.....	48	SODJ70CA-SH.....	48	SODZ43A-SH.....	23	STSB253.....	86
SODJ20A-SH.....	48	SODJ75A-SH.....	49	SODZ47A-SH.....	23	STSB253L.....	87
SODJ20CA-SH.....	48	SODJ75CA-SH.....	49	SODZ51A-SH.....	23	STSB254.....	86
SODJ22A-SH.....	48	SODJ78A-SH.....	49	SODZ56A-SH.....	23	STSB254L.....	87
SODJ22CA-SH.....	48	SODJ78CA-SH.....	49	SODZ6.8A-SH.....	22	STSB255.....	86
SODJ24A-SH.....	48	SODJ8.0A-SH.....	48	SODZ62A-SH.....	23	STSB255L.....	87
SODJ24CA-SH.....	48	SODJ8.0CA-SH.....	48	SODZ68A-SH.....	23	STSB256.....	86
SODJ26A-SH.....	48	SODJ8.5A-SH.....	48	SODZ7.5A-SH.....	22	STSB256L.....	87
SODJ26CA-SH.....	48	SODJ8.5CA-SH.....	48	SODZ75A-SH.....	23	STSB257.....	86
SODJ28A-SH.....	48	SODJ85A-SH.....	49	SODZ8.2A-SH.....	23	STSB302.....	86
SODJ28CA-SH.....	48	SODJ85CA-SH.....	49	SODZ82A-SH.....	23	STSB302L.....	87
SODJ30A-SH.....	48	SODJ9.0A-SH.....	48	SODZ9.1A-SH.....	23	STSB303.....	86
SODJ30CA-SH.....	48	SODJ9.0CA-SH.....	48	SODZ91A-SH.....	23	STSB303L.....	87
SODJ33A-SH.....	48	SODJ90A-SH.....	49	SS10U45.....	12	STSB304.....	86
SODJ33CA-SH.....	48	SODJ90CA-SH.....	49	SS10U60.....	10	STSB304L.....	87
SODJ36A-SH.....	48	SODSF11-SH.....	32	SS15U50.....	12	STSB305.....	86
SODJ36CA-SH.....	48	SODSF12-SH.....	32	SS15U60.....	10	STSB305L.....	87
SODJ40A-SH.....	48	SODSF13-SH.....	32	SS3U100.....	9	STSB306.....	86
SODJ40CA-SH.....	48	SODSF14-SH.....	32	SS5U100.....	10	STSB306L.....	87
SODJ43A-SH.....	48	SODSF15-SH.....	32	SS8U45.....	10	STSB307.....	86

Device	Page	Device	Page	Device	Page	Device	Page
STSBF152.....	88	SZA22A.....	24	SZAF43A.....	25	SZB6.2A.....	26
STSBF153.....	88	SZA24A.....	24	SZAF47A.....	25	SZB6.8A.....	26
STSBF154.....	88	SZA27A.....	24	SZAF5.1A.....	24	SZB62A.....	27
STSBF155.....	88	SZA30A.....	24	SZAF5.6A.....	24	SZB68A.....	27
STSBF156.....	88	SZA33A.....	24	SZAF51A.....	25	SZB7.5A.....	26
STSBF157.....	88	SZA36A.....	24	SZAF56A.....	25	SZB75A.....	27
STSBF202.....	88	SZA39A.....	24	SZAF6.2A.....	24	SZB8.2A.....	26
STSBF203.....	88	SZA43A.....	24	SZAF6.8A.....	24	SZB82A.....	27
STSBF204.....	88	SZA47A.....	24	SZAF62A.....	25	SZB9.1A.....	26
STSBF205.....	88	SZA5.1A.....	23	SZAF68A.....	25	SZB91A.....	27
STSBF206.....	88	SZA5.6A.....	23	SZAF7.5A.....	24	SZBF100A.....	26
STSBF207.....	88	SZA51A.....	24	SZAF75A.....	25	SZBF10A.....	25
STSBF252.....	88	SZA56A.....	24	SZAF8.2A.....	24	SZBF110A.....	26
STSBF253.....	88	SZA6.2A.....	23	SZAF82A.....	25	SZBF11A.....	26
STSBF254.....	88	SZA6.8A.....	23	SZAF9.1A.....	24	SZBF120A.....	26
STSBF255.....	88	SZA62A.....	24	SZAF91A.....	25	SZBF12A.....	26
STSBF256.....	88	SZA68A.....	24	SZB100A.....	27	SZBF130A.....	26
STSBF257.....	88	SZA7.5A.....	23	SZB10A.....	26	SZBF13A.....	26
STSBF302.....	88	SZA75A.....	24	SZB110A.....	27	SZBF150A.....	26
STSBF302T.....	88	SZA8.2A.....	23	SZB11A.....	26	SZBF15A.....	26
STSBF303.....	88	SZA82A.....	24	SZB120A.....	27	SZBF160A.....	26
STSBF303T.....	88	SZA9.1A.....	24	SZB12A.....	27	SZBF16A.....	26
STSBF304.....	88	SZA91A.....	24	SZB130A.....	27	SZBF180A.....	26
STSBF304T.....	88	SZAF100A.....	25	SZB13A.....	27	SZBF18A.....	26
STSBF305.....	88	SZAF10A.....	25	SZB150A.....	27	SZBF200A.....	26
STSBF305T.....	88	SZAF110A.....	25	SZB15A.....	27	SZBF20A.....	26
STSBF306.....	88	SZAF11A.....	25	SZB160A.....	27	SZBF22A.....	26
STSBF306T.....	88	SZAF120A.....	25	SZB16A.....	27	SZBF24A.....	26
STSBF307.....	88	SZAF12A.....	25	SZB180A.....	27	SZBF27A.....	26
STSBF307T.....	88	SZAF130A.....	25	SZB18A.....	27	SZBF30A.....	26
SZA100A.....	24	SZAF13A.....	25	SZB200A.....	27	SZBF33A.....	26
SZA10A.....	24	SZAF150A.....	25	SZB20A.....	27	SZBF36A.....	26
SZA110A.....	24	SZAF15A.....	25	SZB22A.....	27	SZBF39A.....	26
SZA11A.....	24	SZAF160A.....	25	SZB24A.....	27	SZBF43A.....	26
SZA120A.....	24	SZAF16A.....	25	SZB27A.....	27	SZBF47A.....	26
SZA12A.....	24	SZAF180A.....	25	SZB30A.....	27	SZBF5.1A.....	25
SZA130A.....	24	SZAF18A.....	25	SZB33A.....	27	SZBF5.6A.....	25
SZA13A.....	24	SZAF200A.....	25	SZB36A.....	27	SZBF51A.....	26
SZA150A.....	24	SZAF20A.....	25	SZB39A.....	27	SZBF56A.....	26
SZA15A.....	24	SZAF22A.....	25	SZB43A.....	27	SZBF6.2A.....	25
SZA160A.....	24	SZAF24A.....	25	SZB47A.....	27	SZBF6.8A.....	25
SZA16A.....	24	SZAF27A.....	25	SZB5.1A.....	26	SZBF62A.....	26
SZA180A.....	24	SZAF30A.....	25	SZB5.6A.....	26	SZBF68A.....	26
SZA18A.....	24	SZAF33A.....	25	SZB51A.....	27	SZBF7.5A.....	25
SZA200A.....	24	SZAF36A.....	25	SZB56A.....	27	SZBF75A.....	26
SZA20A.....	24	SZAF39A.....	25				



Device	Page	Device	Page	Device	Page	Device	Page
SZBF8.2A	25	TSB307	89	UG2C	45	UGP15D	44
SZBF82A	26	TSB402	89	UG2D	45	UGP15F	44
SZBF9.1A	25	TSB403	89	UG4A	46	UGP15G	44
SZBF91A	26	TSB404	89	UG4B	46	UGP15J	44
TB10S	84	TSB405	89	UG4C	46	UGP15K	44
TB1S	84	TSB406	89	UG4D	46	UGP30A	46
TB2S	84	TSB407	89	UGP10A	42	UGP30B	46
TB4S	84	TSB602	89	UGP10B	42	UGP30D	46
TB6S	84	TSB603	89	UGP10D	42	UGP30F	46
TB8S	84	TSB604	89	UGP10F	42	UGP30G	46
TSB302	89	TSB605	89	UGP10G	42	UGP30J	46
TSB303	89	TSB606	89	UGP10J	42	UGP30K	46
TSB304	89	TSB607	89	UGP10K	42		
TSB305	89	UG2A	45	UGP15A	44		
TSB306	89	UG2B	45	UGP15B	44		