

Dimmable LED Drivers

- Grow lighting
- Street lighting
- Stadium lighting
- Industrial lighting
- Architecture lighting

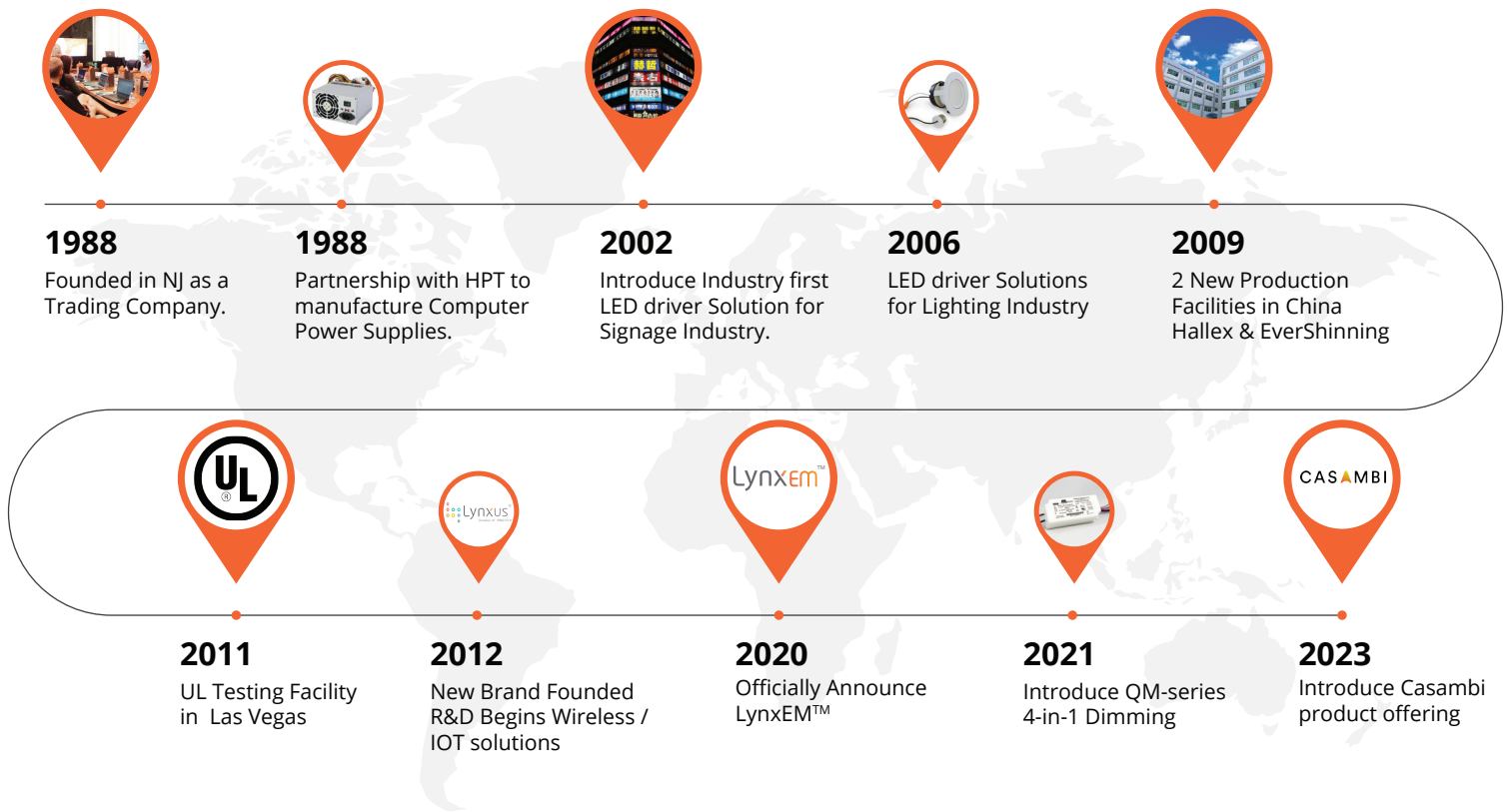
MAGTECH
The Power To Drive Innovations

5625-A Arville ST. Las Vegas, NV 89118
(702) 364 - 9998
csupport@magtechind.com

Release Date: 08/04/2023



Key Milestones



HISTORY AND BASE TECHNOLOGIES

- Since 2002, we have switched runway from commercial IT power supply to support of lighting industry and focus on switching-model LED driver designs
- The very first design was a 60-100W, UL Class 2, constant power design for signage applications with IP67 ingress rating
- In the same year, we start making DC/DC buck driver for single LED applications
- The LP-series was launched in 2003 based on single stage fly-back design
- LD series was launched in 2005 for first generation of general lighting industry
- The M-series was launched in 2007 using PSR topology
- In 2008, we were the first manufacturer introducing “phase-cut, trailing-edge” dimmable LED driver
- Most of our designs are UL Class 2 with PSR topologies at that moment
- MCA-series is the first dual-stage design based on UL8750 non-class 2 and Class 2; ranged from 75W to 600W
- Future design will be focus on modular design concept to include variable control protocols
- NFC programmable output is available
- Phase-cut dimming methods has been perfected for both CC and CV outputs
- Multi-function /multi-features are focuses move forward to compete with lower end competitors

The Power to Drive Innovation

Magtech Industries Corporation

Available LED Driver Models



Q Series

- Available in plastic and metal (stud-mountable) design
- Constant current and constant voltage available.
- Compatible with 0-10V dimmers; source and sink
- UL8750 Class 2 / CE certified
- Full range AC input from 110-277VAC
- Dry & damp location; 0-10V Dimming



MODEL	NO. OF OUTPUT	OUTPUT TYPE	OUTPUT	OUTPUT	PROGRAMMABLE (OUTPUT)	MAX. POWER (WATTS)	DIMMING METHODS				CASE STYLE			UL Class
			(VDC)	(mA)			TRIAC	ELV	0-10V	PWM	PLASTIC	METAL	ALUMINUM	
Q12	1	CC / CV	12-54	1300	N	23			•		•	•		•
Q22	1	CC / CV	12-54	2500	N	25			•		•	•		•
Q38	1	CC / CV	24-72	1850	N	40			•		•	•		•
Q48	1	CC / CV	24-72	2200	N	50			•		•	•		•
Q58	1	CC / CV	24-72	2650	N	60			•		•	•		•
Q68	1	CC / CV	24-72	3150	N	70			•		•	•		•

Dimensions (L x W x H)
 Q12, Q22-XM: 114 x 42 x 29mm
 Q38, Q48, Q58, Q68-XM: 120.3 x 76.3 x 30mm
 Q12-XP: 85.3 x 38 x 27.7mm
 Q38, Q48, Q58, Q68-XP: 138 x 47 x 32
 Q22-XP: 85.3 x 38 x 27.7



M Series

- Low cost single stage design
- Constant current available
- Compatible leading & trailing phase-cut dimmers.
- UL/ CE certified
- Full range AC input from 110-277VAC
- Dry & damp location; Multipurpose



MODEL	NO. OF OUTPUT	OUTPUT TYPE	OUTPUT	OUTPUT	PROGRAMMABLE (OUTPUT)	MAX. POWER (WATTS)	DIMMING METHODS				CASE STYLE			UL Class
			(VDC)	(mA)			TRIAC	ELV	0-10V	PWM	PLASTIC	METAL	ALUMINUM	
M9	1	CC	9-30	750	N	10			•		•			•
M18	1	CC	10-30	830	N	22			•		•			•
M28	1	CC	15-54	1250	N	30			•		•	•		•
M38	1	CC	15-54	1660	N	40			•		•	•		•
M48	1	CC	15-54	2090	N	50			•		•			•

DIMENSIONS (L x W x H)
 M9: 70.5 x 34.5 x 25mm
 M18: 85.3 x 41 x 29mm
 M28-XP: 88 x 41 x 29mm
 M38-XM: 114 x 42 x 29mm
 M48-XP: 138 x 47 x 32mm
 M28-XM: 114 x 42 x 29mm
 M38-XP: 88 x 41 x 30mm



MD Series

- Full range AC input 110-277VAC, 60/50Hz
- Constant current outputs
- Deep dimming level as low as 1%
- UL 8750 Class 2 Class P certified with HL mark
- Compact size suitable for dry and damp locations
- Dry & damp location; TRIAC/ ELV dimmable



MODEL	NO. OF OUTPUT	OUTPUT TYPE	OUTPUT	OUTPUT	PROGRAMMABLE (OUTPUT)	MAX. POWER (WATTS)	DIMMING METHODS				CASE STYLE			UL Class		
			(VDC)	(mA)			TRIAC	ELV	0-10V	PWM	PLASTIC	METAL	ALUMINUM			
MD22-U24-yyyy-Xz	1	CC	14-24	500-250	N	10								•		
MD22-U30-yyyy-Xz			16-30	400-200												•
MD22-U36-yyyy-Xz			20-36	350-170			•	•	•	•					•	
MD22-U42-yyyy-Xz			24-42	300-150												•
MD22-U54-yyyy-Xz			36-54	250-120												•
MD22-U54-yyyy-Xz			14-24	1000-500				20								•
MD22-U30-yyyy-Xz			16-30	770-400												•
MD22-U36-yyyy-Xz			20-36	670-340		•	•		•	•						•
MD22-U42-yyyy-Xz			27-42	580-290												•
MD22-U54-yyyy-Xz			36-54	450-230												•
MD42-U24-yyyy-Xz	1	CC	14-24	2000-1000	N	40								•		
MD42-U30-yyyy-Xz			16-30	1540-800												•
MD42-U36-yyyy-Xz			20-36	1340-670			•	•	•	•						•
MD42-U42-yyyy-Xz			27-42	1150-580												•
MD42-U54-yyyy-Xz			36-54	890-450												•
DIMENSIONS (L x W x H)																
MD22-XM: 121 x 42 x 29mm			MD22-XP: 85.3 x 32 x 27.7mm													
MD42-XM: 121 x 42 x 29mm			MD42-XP: 88 x 41 x 30mm													



MDH22 SERIES

- Input voltage 100 - 277V (UL)
- Full dimming range: 5-100%
- High Efficiency, High Power Factor, Low THD; Flicker-free
- Silicon Potting
- Water level: IP65
- RoHS Compliance
- 3-in-1 dimming, leading & trailing edge & 0-10V compatible.

MODEL	NO. OF OUTPUT	OUTPUT TYPE	OUTPUT	OUTPUT	PROGRAMMABLE (OUTPUT)	MAX. POWER (WATTS)	DIMMING METHODS				CASE STYLE			UL Class
			(VDC)	(mA)			TRIAC	ELV	0-10V	PWM	PLASTIC	METAL	ALUMINUM	
MDH22-45-0200-S7D	1	CC	24-42	200	N/A	20	•	•	•		•			•
MDH22-45-0250-S7D	1	CC	24-42	250	N/A	20	•	•	•		•			•
MDH22-45-300-S7D	1	CC	24-42	300	N/A	20	•	•	•		•			•
MDH22-45-350-SD7	1	CC	24-42	350	N/A	20	•	•	•		•			•
MDH22-45-400-SD7	1	CC	24-42	400	N/A	20	•	•	•		•			•
MDH22-45-450-SD7	1	CC	24-42	450	N/A	20	•	•	•		•			•
MDH22-45-500-SD7	1	CC	24-42	500	N/A	20	•	•	•		•			•
MDH22-45-550-SD7	1	CC	21-36	550	N/A	20	•	•	•		•			•

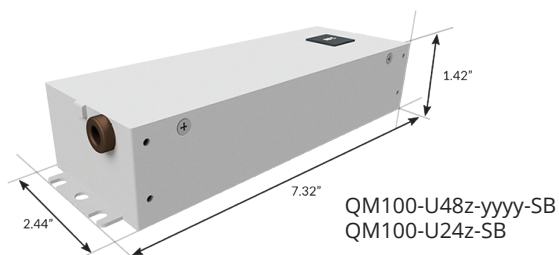
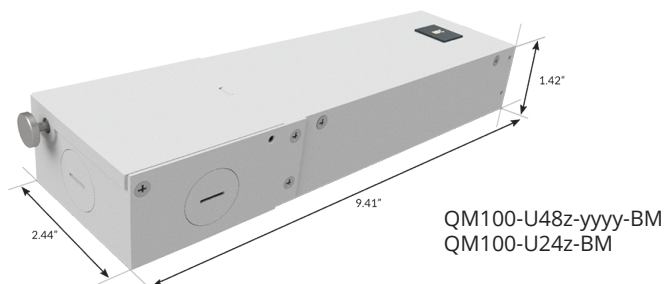
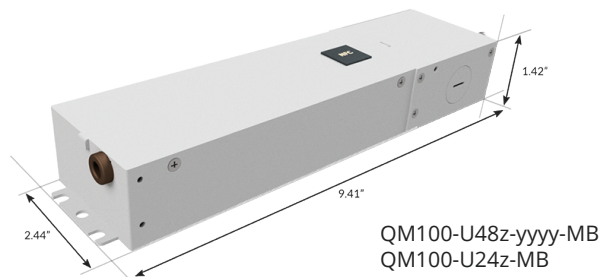
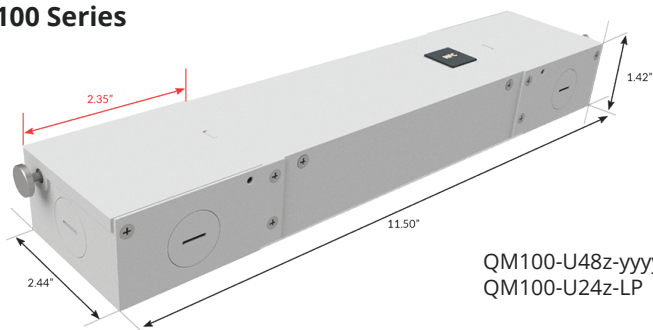
QM Series

- TRIAC/ELV/0-10V/PWM CV and CC mode dimming with full AC input from 110-277VAC
- Fully programmable output
- Turn on timing less than 500 ms
- UL 8750 Class 2 Class P Listed certification,
- Flickering Rate less than 10% at 120 HZ
- No load power consumption- less than 0.5 W (1W with wireless control)
- Isolation dimming circuit- Isolated from both primary and secondary circuits
- Dimming percentage less than 1%- with all 4 dimming methods
- Dual output available with 50W and 100W, pre-programmable dimming effects
- Wireless using ZigBee or Casambi – Optional
- Dry & damp location; 4-in-1 Dimming

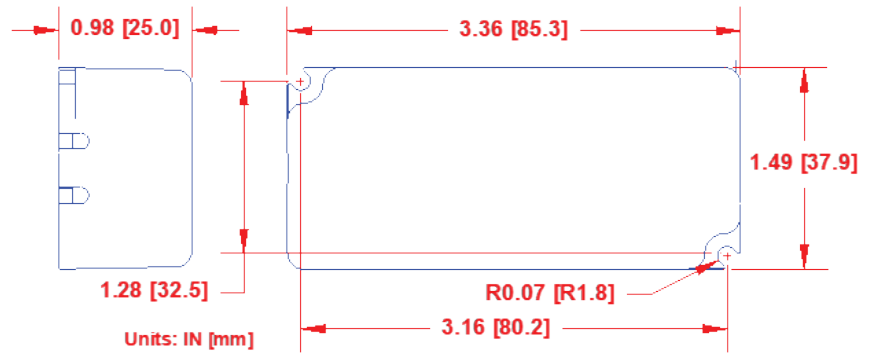


MODEL	NO. OF OUTPUT	OUTPUT TYPE	OUTPUT	OUTPUT	PROGRAMMABLE (OUTPUT)	MAX. POWER (WATTS)	DIMMING METHODS				CASE STYLE			UL Class	
			(VDC)	(mA)			TRIAC	ELV	0-10V	PWM	PLASTIC	METAL	ALUMINUM		
QM20-U48-yyyy-XP	1	CC	20 – 48	625 – 300	DIP Switch	20	•	•	•	•	•				
QM20-Uxx-XP	1	CV	12 OR 24	1660 / 830	N/A		•	•	•	•	•				
QM40-U48-yyyy-XP	1	CC	20 – 48	1250 – 250	DIP Switch	40	•	•	•	•	•			•	
QM40-U24-XP	1	CV	24	1660	N/A		•	•	•	•	•			•	
QM50-U48-yyyy-XP	1	CC	20 – 48	1900 – 250	DIP Switch	50	•	•	•	•	•			•	
QM50D-U48-yyyy-XP	3	CC	20 – 48	1250 – 250	DIP Switch		•	•	•	•	•			•	
			20 – 48	1250 – 250			•	•	•	•	•		•		
QM50-U24z-XP	2	CV	24	1900	N/A		•	•	•	•	•			•	
		CV	12	200			•	•	•	•	•		•		
QM70-U38-yyyy-XM Note1	1	CC	10 – 36	2000		70	•								
QM70-U52-yyyy-XM Note1	1	CC	30 - 52	1500			•								
QM70-U24-yyyy-XM Note1	1	CC	24	3000			•								
QM70-U48-yyyy-XM Note1	1	CC	48	1500			•								
QM100-U48-yyyy-XP	1	CC	20 – 48	4100 – 2000	DIP Switch	100	•	•	•	•	•			•	
QM100D-U48-yyyy-XM	3	CC	20 – 48	4100 – 2000	DIP Switch		•	•	•	•	•			•	
			20 – 48	4100 – 2000			•	•	•	•	•		•		
		CV	12	200	N/A		•	•	•	•	•		•		
QM100D-U24z-XP	2	CV	24	4100	N/A		•	•	•	•	•			•	
		CV	12	200		•	•	•	•	•		•			

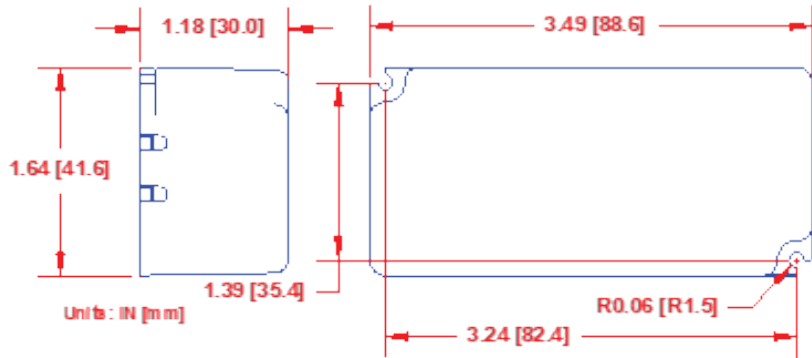
QM100 Series



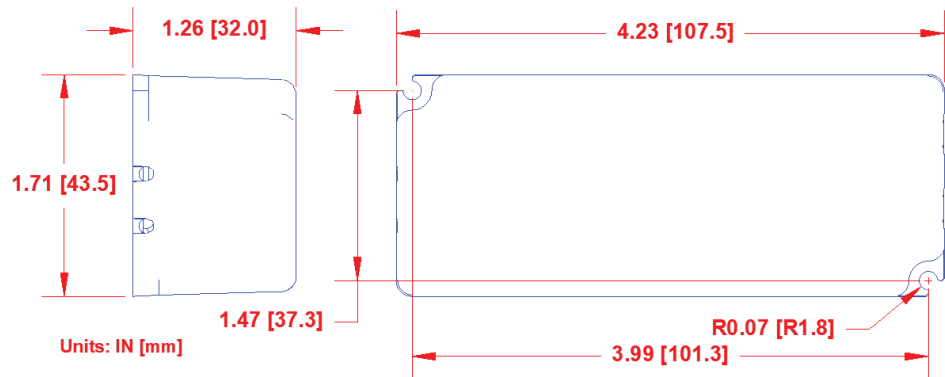
QM20 Series : 3.36" x 1.49" x 0.98"



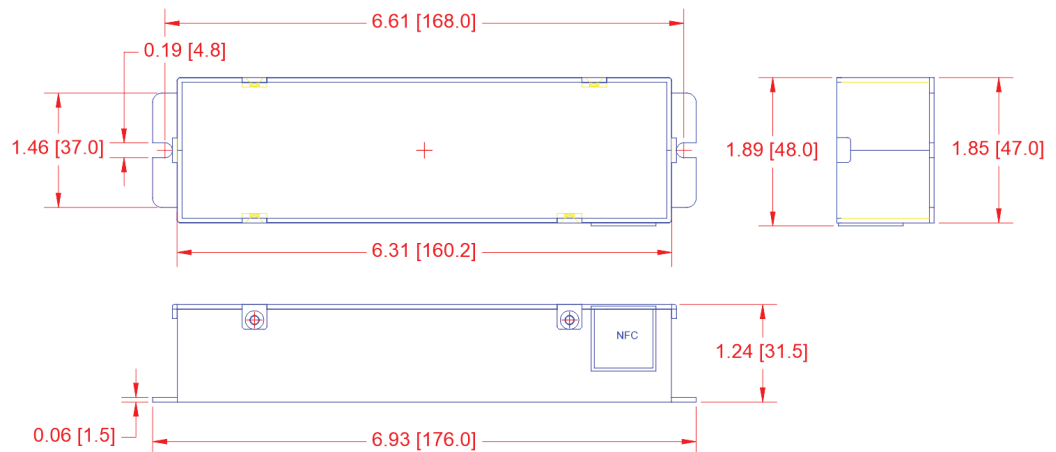
QM40 Series : 3.49" x 1.64" x 1.20"



QM50 Series : 4.23" x 1.71" x 1.26" (L x W x H)



QM70 Series : 3.49" x 1.64" x 1.20"





DALI2 Converter For dry location

- Powered by DALI Bus voltage or external Class 2 DC source
- Output 0-10V current sink
- Convert DALI signal to 0-10V dimming signal
- IEC 62386 DALI-1 certified
- Compact size

MODEL	NO. OF OUTPUT	OUTPUT TYPE	OUTPUT (VDC)	OUTPUT (mA)	OUTPUT (VDC)	SINK CURRENT (mA)	COMPATIBILITY	CASE STYLE
			12-22.5	2	0-10	<2		DALI
DA-010	1	Linear	12-22.5	2	0-10	<2	DALI	42 X 40 X 20.5MM (L x W x H)



DALI2 Converter For dry location

- Powered by DALI Bus voltage or external Class 2 DC source
- DALI Type 8 Command
- Output 0-10V current sink
- Convert DALI signal to 0-10V dimming signal
- IEC 62386 DALI-1 certified
- Compact size

MODEL	NO. OF OUTPUT	OUTPUT TYPE	OUTPUT (VDC)	OUTPUT (mA)	OUTPUT (VDC)	SINK CURRENT (mA)	COMPATIBILITY	CASE STYLE
			12-22.5	2	0-10	<2		DALI
DA-020	1	Linear	12-22.5	2	0-10	<2	DALI	50 X 45 X 20MM (L x W x H)



LD Series Dry & damp location; Multipurpose

- Universal AC input range 90~305VAC
- Constant Voltage Operation
- Cooling by Free Air Convection (Metal Housing)
- Suitable for LED Strips and Moving Sign Applications
- Function options: 3 in 1 dimming (dim-to-off); DALI



MODEL	NO. OF OUTPUT	OUTPUT TYPE	OUTPUT (VDC)	OUTPUT (mA)	PROGRAMMABLE (OUTPUT)	MAX. POWER (WATTS)	DIMMING METHODS				CASE STYLE		
			12	99.6			TRIA	ELV	0-10V	PWM	PLASTIC	METAL	ALUMINUM
LD100H-VU83012-70(X)		CV	12	99.6		100			•	•		•	
LD100H-VU42024-70(X)		CV	24	100.8					•	•		•	
LD100H-VU28036-70(X)		CV	36	100.8					•	•		•	
LD100H-VU21048-70(X)		CV	48	100.8					•	•		•	
LD200H-VU1K612-72(X)		CV	12	200.4		200			•	•		•	
LD200H-VU83034-72(X)		CV	24	199.2					•	•		•	
LD200H-VU55036-72(X)		CV	36	198					•	•		•	
LD200H-VU41548-72(X)		CV	48	199.2					•	•		•	
LD300H-VU1K224-74(X)		CV	24	350		300			•	•		•	
LD300H-VU83336-74(X)		CV	36	400					•	•		•	
LD300H-VU62548-74(X)		CV	48	500					•	•		•	
LD400H-VU1K624-76(X)		CV	24	400.8		400			•	•		•	
LD400H-VU1K136-76(X)		CV	36	399.6					•	•		•	
LD400H-VU83348-76(X)		CV	48	398.4					•	•		•	

DIMENSIONS (L x W x H)

LD100H: 230 x 80.3 x 33.5mm
LD200H: 230 x 80.3 x 33.5mm

LD300H: 223.2 x 98 x 38.5mm
LD400H: 273.2 x 98 x 38.5mm



MCA Series For Outdoor, 75W to 600W

- Input voltage 120-277VAC, 50/60 Hz
- Fully programmable CC output
- Low dim to off ; 100% - 10% dimming
- 12VDC Auxiliary output available
- Surge Protection- 5KV line-line, 10KV line-ground
- Suitable for dry/ damp/ wet locations; IP67 compliant
- Isolation dimming circuit- isolated from both primary and secondary circuits

MODEL	NO. OF OUTPUT	OUTPUT TYPE	OUTPUT		PROGRAMMABLE (OUTPUT)	MAX. POWER (WATTS)	DIMMING METHODS				CASE STYLE																																										
			(VDC)	(mA)			TRIAC	0-10V	PWM	STEP	PLASTIC	METAL	ALUMINUM																																								
MCA075-041X	2	CC	20-41	2670-1830	Y	75		•	•	•			•																																								
		CV	12	200																																																	
MCA-075-062X	2	CC	38-62	1880-1220	Y									105		•	•	•			•																																
		CV	12	200																																																	
MCA-075-108X	2	CC	54-108	1050-700	Y																	150		•	•	•			•																								
		CV	12	200																																																	
MCA-105-041X	2	CC	20-41	3500-2560	Y																									200		•	•	•			•																
		CV	12	200																																																	
MCA-105-062X	2	CC	38-62	2500-1690	Y																																	240		•	•	•			•								
		CV	12	200																																																	
MCA-105-100X	2	CC	50-100	1400-1050	Y																																									320		•	•	•			•
		CV	12	200																																																	
MCA-105-150X	2	CC	75-150	1050-700	Y	600		•	•	•			•																																								
		CV	12	200																																																	
MCA-150-041X	2	CC	20-41	5400-540	Y									240		•	•	•			•																																
		CV	12	200																																																	
MCA-150-062X	2	CC	38-62	3600-360	Y																	240		•	•	•			•																								
		CV	12	200																																																	
MCA-150-108X	2	CC	54-108	2100-210	Y																									240		•	•	•			•																
		CV	12	200																																																	
MCA-150-143X	2	CC	80-143	1500-150	Y																																	240		•	•	•			•								
		CV	12	200																																																	
MCA-150-214X	2	CC	142-214	1050-150	Y																																									240		•	•	•			•
		CV	12	200																																																	
MCA-200-041X	2	CC	20-41	6670-670	Y	240		•	•	•			•																																								
		CV	12	200																																																	
MCA-200-062X	2	CC	38-62	5000-3230	Y									240		•	•	•			•																																
		CV	12	200																																																	
MCA-200-096X	2	CC	48-96	3000-300	Y																	240		•	•	•			•																								
		CV	12	200																																																	
MCA-200-143X	2	CC	96-143	2100-210	Y																									240		•	•	•			•																
		CV	12	200																																																	
MCA-200-191X	2	CC	133-191	1500-150	Y																																	240		•	•	•			•								
		CV	12	200																																																	
MCA-200-286X	2	CC	191-286	1050-110	Y																																									240		•	•	•			•
		CV	12	200																																																	
MCA-240-041X	2	CC	20-41	7500-750	Y	240		•	•	•			•																																								
		CV	12	200																																																	
MCA-240-062X	2	CC	28-62	5710-570	Y									240		•	•	•			•																																
		CV	12	200																																																	
MCA-240-086X	2	CC	43-86	4200-2800	Y																	240		•	•	•			•																								
		CV	12	200																																																	
MCA-240-171X	2	CC	85-171	2100-1400	Y																									240		•	•	•			•																
		CV	12	200																																																	
MCA-240-229X	2	CC	114-229	1500-1050	Y																																	240		•	•	•			•								
		CV	12	200																																																	
MCA-240-343X	2	CC	171-343	1050-700	Y																																									240		•	•	•			•
		CV	12	200																																																	
MCA-320-041X	2	CC	20-41	10000-1000	Y	320		•	•	•			•																																								
		CV	12	200																																																	
MCA-320-062X	2	CC	36-62	7500-750	Y									320		•	•	•			•																																
		CV	12	200																																																	
MCA-320-143X	2	CC	50-143	3200-2240	Y																	320		•	•	•			•																								
		CV	12	200																																																	
MCA-320-230X	2	CC	115-230	2110-1540	Y																									320		•	•	•			•																
		CV	12	200																																																	
MCA-320-457X	2	CC	228-457	1100-700	Y																																	320		•	•	•			•								
		CV	12	200																																																	
MCA-600-060X	2	CC	24-60	10-12.5A	Y																																									600		•	•	•			•
		CV	12	200																																																	
MCA-600-152X	2	CC	61-152	3.95-5.25A	Y	600		•	•	•			•																																								
		CV	12	200																																																	
MCA-600-545X	2	CC	430-545	1.1-1.4A	Y									600		•	•	•			•																																
		CV	12	200																																																	

Dimensions (L x W x H)

MCA075: 120 x 66.2 x 36.8mm

MCA200: 185 x 66.2 x 39mm

MCA600: 251 x 142 x 46.5mm

MCA105: 145 x 66.2 x 39mm

MCA240: 200 x 66.2 x 39mm

MCA150: 185 x 66.2 x 39mm

MCA320: 223.2 x 66.2 x 40.3mm

Hazardous Area Lighting



Wireless Compatible Solutions

ATOM WIRELESS IN-WALL SWITCH

Available Standard, Non-neutral and Battery Operated

- Best low power load support, no bypass part or low power light adapter required.
- Default local circuit operate and do not require system control.
- 20dBm 2.4G for long range communication.
- Power failure memory to return to its previous set level prior to the interruption of power.
- Compatible to designer style wall plates or standard off-the-shelf wall plates.
- Fit in 1-gang U.S. wall-box ; 2 1/2" minimum depth recommended.
- Non-neutral design make installation easier (ZigBee only)



Line input



Battery

Order Information: WS-TE1-01-06-A3

WS-	Q		R		X-		S		Y-		ZZ		T	
	RELAY FOR AC ON/OFF		LOCATION		0-10V DIMMING		NEUTRAL WIRE		WIRELESS COMMUNICATION PROTOCOL		NUMBER OF BUTTONS		FACE PLATE COLOR (Optional)	
WS	T	For Yes	A	For USA: 110 - 277VAC input	0	No (Only option for Battery)	0	Yes (With) for Zigbee or Bluetooth	1	Zigbee	02	2 Buttons On/Off	A1	Dark Chocolate
			04	4 Buttons On/Off							A2	Warm Caramel		
			05	5 Buttons On/Off; 2 Scene							A3	Moon Rock		
	06	6 Buttons On/Off; 2 Scene												
	N	For No (Only option for Battery)	C	For USA: Battery operated	1	Yes	N	No (Without), for Zigbee only	2	Bluetooth	08	8 Buttons On/Off; 4 Scene	A4	Silver Gray
			D	For Europe: Battery operated							P2	PIR + 2 button	A5	Pebble Gray
P4			PIR + 4 button	W							No Face Plate			



ZBA-T001

- Basic control node in Zigbee or BT lighting control environment.
- Provide phase cut AC source to control fixture brightness
- Built-in On/Off feature will prevent any possible leakage
- Input 110VAC to 277VAC
- Dimming Control: Leading-Edge, Trailing-Edge, Selectable.

MODEL	NO. OF OUTPUT	OUTPUT (VDC)	MAX. POWER (WATTS)	DIMMING METHODS				CASE STYLE			UL Class
				TRIAC	ELV	0-10V	PWM	PLASTIC	METAL	ALUMINUM	
ZBA-T001-R	1	110-277		•	•	•	•	•			
ZBA-T001-F	1	110-277		•	•	•	•	•			
ZBA-T001-RB	1	110-277		•	•	•	•	•			
ZBA-T001-FB	1	110-277		•	•	•	•	•			



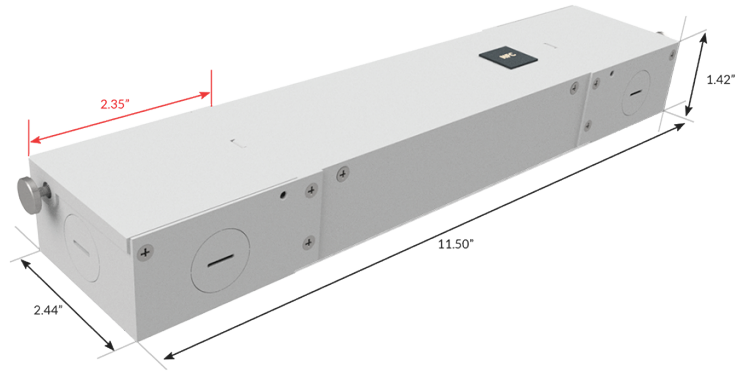
ZBA-E001B

- Multi-function wireless fixture
- Provides On/Off and versatile PWM/ 0-10V dimming controls
- Built-in 12V aux output
- Wide range AC input from 110VAC to 277VAC
- Built-in relay (15A)
- Compatible to Zigbee or Casambi

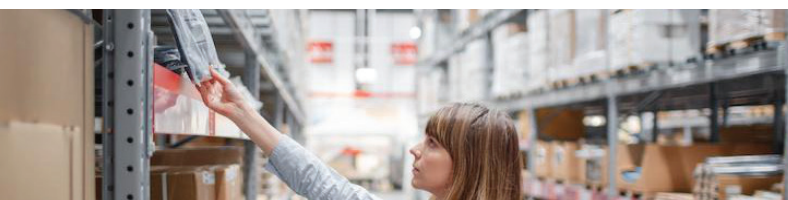
MODEL	NO. OF OUTPUT	OUTPUT (VDC)	DIMMING METHODS				CASE STYLE			UL Class
			TRIAC	ELV	0-10V	PWM	PLASTIC	METAL	ALUMINUM	
ZBA-E001B	1	110-277		•	•	•	•			

QM Series

- TRIAC/ELV/0-10V/PWM CV and CC mode dimming with full AC input from 110-277
- Fully programmable output
- Turn on timing less than 500 ms
- UL 8750 Class 2 Class P Listed certification,
- Flickering Rate less than 10% at 120 HZ
- Wireless using ZigBee or Casambi
- Dry & damp location; 4-in-1 Dimming



MODEL	NO. OF OUTPUT	OUTPUT TYPE	OUTPUT	OUTPUT	PROGRAMMABLE (OUTPUT)	MAX. POWER (WATTS)	CASE STYLE			UL Class	
			(VDC)	(mA)			PLASTIC	METAL	ALUMINUM		
QM20-U48-yyyy-XPB	1	CC	20 – 48	625 – 300	DIP Switch	20	•				
QM20-Uxx-XPB	1	CV	12 OR 24	1660 / 830	N/A		•				
QM40-U48-yyyy-XPB	1	CC	20 – 48	1250 – 250	DIP Switch	40	•			•	
QM40-U24-XPB	1	CV	24	1660	N/A		•			•	
QM50-U48-yyyy-XPB	1	CC	20 – 48	1900 – 250	DIP Switch	50	•			•	
QM50D-U48-yyyy-XPB	3	CC	20 – 48	1250 – 250	DIP Switch		•				•
		CV	12	200							N/A
QM50-U24z-XPB	2	CV	24	1900	N/A	•				•	
		CV	12	200						•	
QM70-U38-yyyy-XMB	1	CC	10 – 36	2000		70					
QM70-U52-yyyy-XMB	1	CC	30 - 52	1500							
QM70-U24-yyyy-XMB	1	CC	24	3000							
QM70-U48-yyyy-XMB	1	CC	48	1500							
QM100-U48-yyyy-XPB	1	CC	20 – 48	4100 – 2000	DIP Switch	100	•		•		
QM100D-U48-yyyy-XMB	3	CC	20 – 48	4100 – 2000	DIP Switch						•
		CV	20 – 48	4100 – 2000							N/A
QM100D-U24z-XPB	2	CV	24	4100	N/A					•	
		CV	12	200							



For over **35 years** we have taken pride in our great relationships with our customers by providing them with quality services, LED driver products and Wireless Lighting Solutions.

We look forward to being your next lighting partner.

More information visit our website.

www.magtechind.com

Office: (702) 364 - 9998

Fax: (702) 364 - 1562

Email: csupport@magtechind.com | sales@magtechind.com

Address: 5625-A Arville ST. Las Vegas, NV 89118

Monday - Friday | 8AM - 5PM