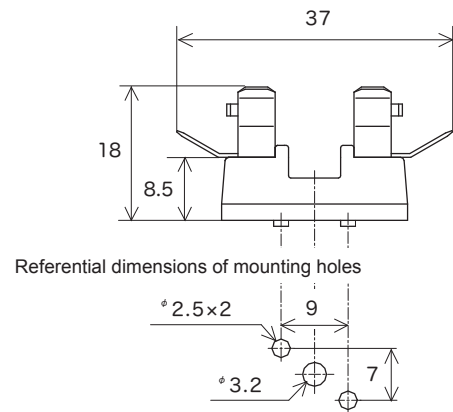


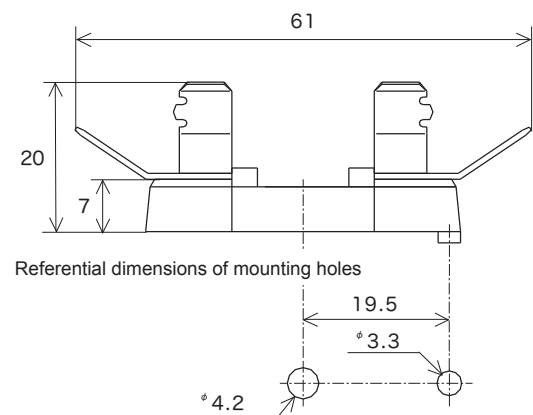
## BM-SS-I-14

Fuse size:  $\phi 5.2 \text{ mm} \times \text{L}20 \text{ mm}$   
 Rating: AC 250 V 15 A  
 Certification: UL Recognized  
 Base material: Phenolic resin  
 (UL94V-0)  
 Surface treatment: Nickel plated



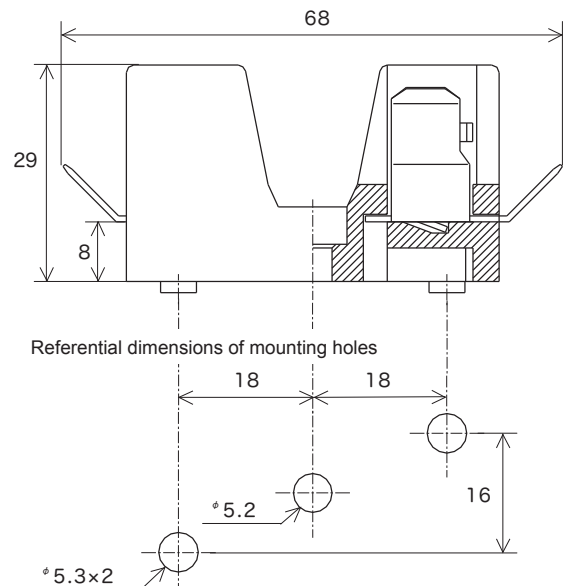
## BM-LQ-I-13

Fuse size:  $\phi 6.35 \text{ mm} \times \text{L}30 \text{ mm}$   
 $\phi 6.35 \text{ mm} \times \text{L}31.8 \text{ mm}$   
 Rating: AC 250 V 30 A  
 Certification: UL Recognized  
 Base material: Phenolic resin  
 (UL94V-0)  
 Surface treatment: Tin plated



## BM-LQ-I-15

Fuse size:  $\phi 10.3 \text{ mm} \times \text{L}38.1 \text{ mm}$   
 Rating: AC 250 V 30 A  
 Certification: UL Recognized  
 Base material: Phenolic resin  
 (UL94V-0)  
 Surface treatment: Nickel plated



### ⚠ CAUTION

- The fuseholder ratings shown above represent the maximum ratings for fuses that can be used under normal circumstances. Rated currents are based on the assumption that a fuse inserted in a fuseholder will operate at less than or equal to 1.35 times the fuseholder's rating. For all other cases, please contact your SOC representative.
- When inserting a fuse into a fuseholder, please do not force the fuse into the holder or hit the fuse. Contact failure caused by damage to the fuse or deformation of the fuseholder's clips due to impact or forcing the fuse into the holder may significantly alter the fuse's electrical characteristics and lifetime, and may lead to accidents including nuisance operations.