

# Dimmable LED Drivers

- Grow lighting
- Street lighting
- Stadium lighting
- Industrial lighting
- Architecture lighting

**MAGTECH**  
The Power To Drive Innovations

5625-A Arville ST. Las Vegas, NV 89118  
(702) 364 - 9998  
csupport@magtechind.com

Release Date: 06/30/2022



# The Power to Drive Innovation

## Magtech Industries Corporation

### Available LED Driver Models

#### QM Series Dry & damp location; 4-in-1 Dimming

- TRIAC/ELV/0-10V/PWM CV and CC mode dimming with full AC input from 110-277
- Fully programmable output
- Turn on timing less than 500 ms
- UL 8750 Class 2 Class P Listed certification,
- Flickering Rate less than 10% at 120 HZ
- No load power consumption- less than 0.5 W (1W with wireless control)
- Isolation dimming circuit- Isolated from both primary and secondary circuits
- Dimming percentage less than 1%- with all 4 dimming methods
- Dual output available with 50W and 100W, pre-programmable dimming effects
- Wireless using ZigBee or Casambi – Optional

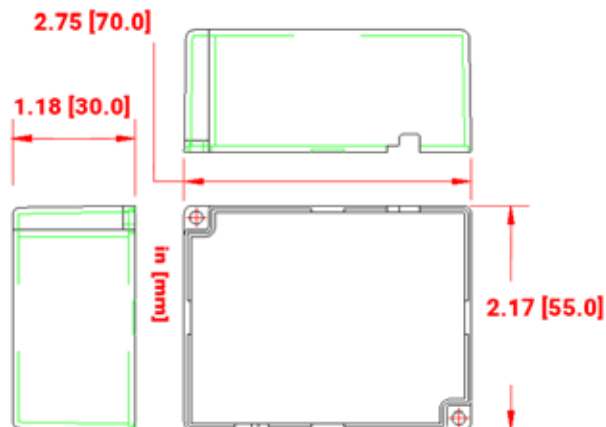


MODEL	NO. OF OUTPUT	OUTPUT TYPE	OUTPUT	OUTPUT	PROGRAMMABLE (OUTPUT)	MAX. POWER (WATTS)	DIMMING METHODS				CASE STYLE		
			(VDC)	(mA)			TRIAC	ELV	0-10V	PWM	PLASTIC	METAL	ALUMINUM
QM20-U48-yyyy-XP Note1	1	CC	20 – 48	625 – 300	DIP Switch	20	•	•	•	•	•		
QM20-Uxx-XP	1	CV	12 OR 24	1660 / 830	N		•	•	•	•	•		
QM40-U48-yyyy-XP	1	CC	20 – 48	1250 – 250	DIP Switch	40	•	•	•	•	•		
QM40-U24-XP	1	CV	24	1660	N		•	•	•	•	•		
QM50-U48-yyyy-XP	1	CC	20 – 48	1900 – 250	DIP Switch	50	•	•	•	•	•		
QM50D-U48-yyyy-XP	3	CC	20 – 48	1250 – 250	DIP Switch		•	•	•	•	•		
		CC	20 – 48	1250 – 250			•	•	•	•	•	•	
QM50-U24z-XP	2	CV	24	1900	N		•	•	•	•	•		
		CV	12	200		•	•	•	•	•	•		
QM70-U38-yyyy-XM Note1	1	CC	10 – 36	2000		70	•						
QM70-U52-yyyy-XM Note1	1	CC	30 - 52	1500			•						
QM70-U24-yyyy-XM Note1	1	CC	24	3000			•						
QM70-U48-yyyy-XM Note1	1	CC	48	1500			•						
QM100-U48-yyyy-XP	1	CC	20 – 48	4100 – 2000	DIP Switch	100	•	•	•	•	•		•
QM100D-U48-yyyy-XM	3	CC	20 – 48	4100 – 2000	DIP Switch		•	•	•	•	•		•
		CC	20 – 48	4100 – 2000			•	•	•	•	•	•	
QM100D-U24z-XP	2	CV	24	4100	N		•	•	•	•	•		•
		CV	12	200		•	•	•	•	•	•		•

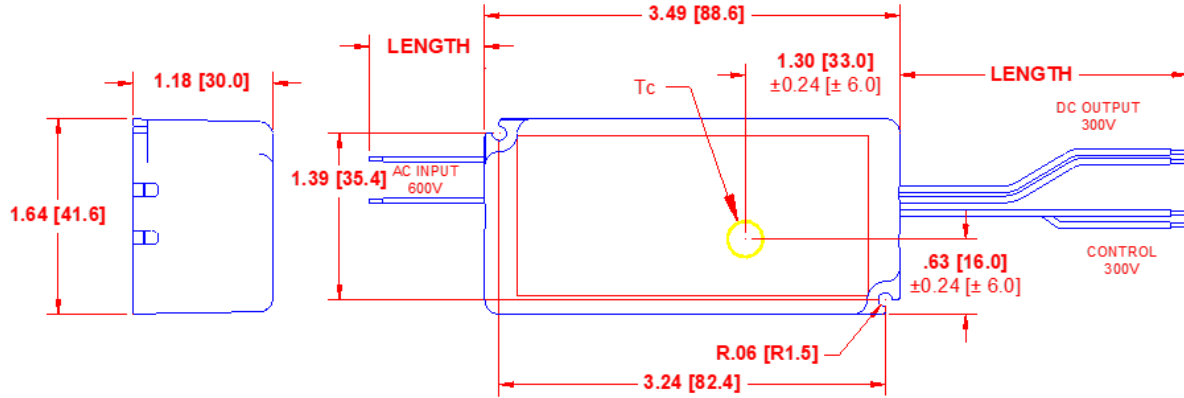
NOTE 1: Available in 3rd Quarter of 2022

#### QM Series Dimensions (L x W x H)

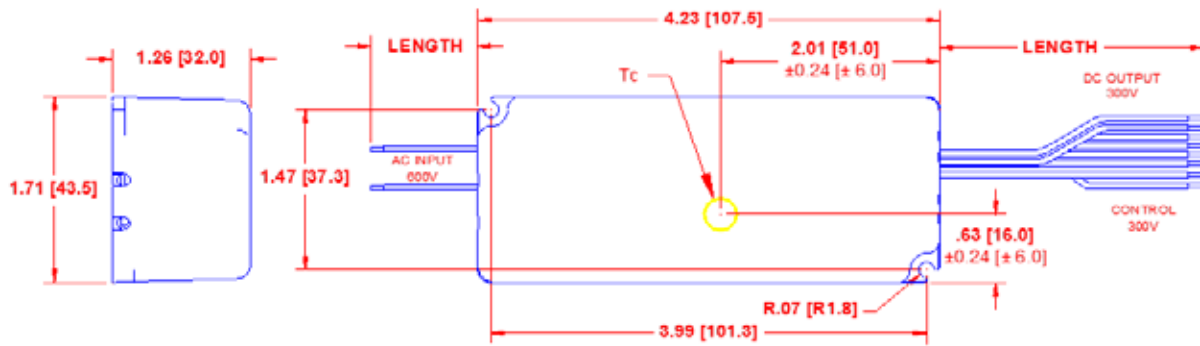
QM20 Series : 2.17" (L) x 2.75" (W) x 1.18" (H)



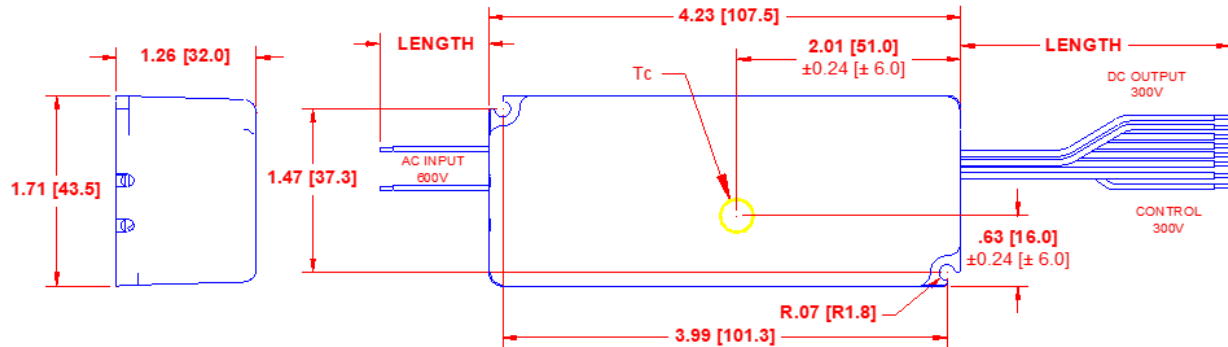
**QM40 Series : 3.49" x 1.64" x 1.20" (L x W x H)**



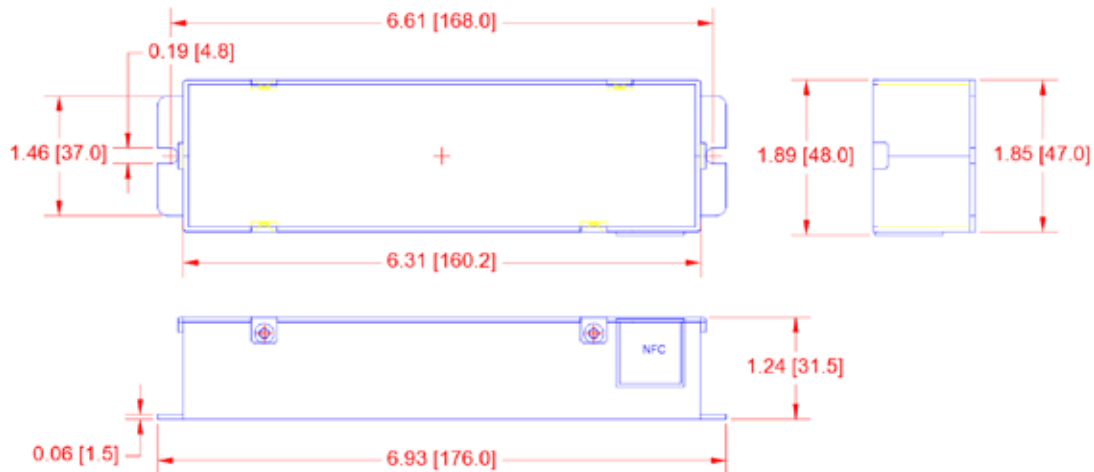
**QM40 Series : 3.49" x 1.64" x 1.20" (L x W x H)**



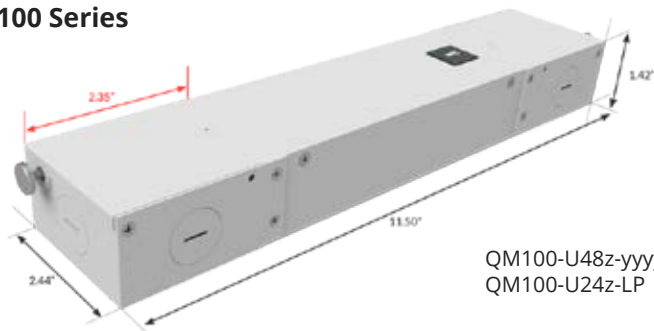
**QM50 Series : 4.23" x 1.71" x 1.26" (L x W x H)**



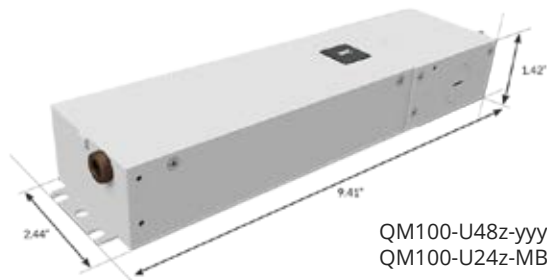
**QM50 Series : 4.23" x 1.71" x 1.26" (L x W x H)**



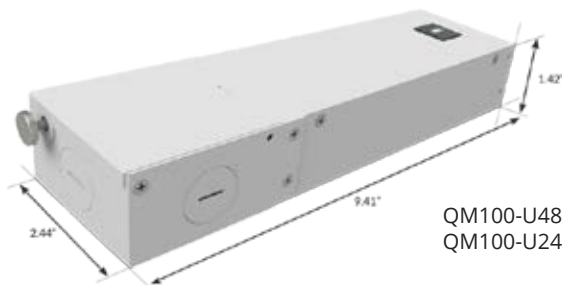
## QM100 Series



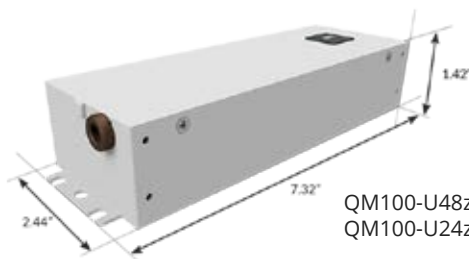
QM100-U48z-yyyy-LP  
QM100-U24z-LP



QM100-U48z-yyyy-MB  
QM100-U24z-MB



QM100-U48z-yyyy-BM  
QM100-U24z-BM



QM100-U48z-yyyy-SB  
QM100-U24z-SB



## MD Series Dry & damp location; TRIAC/ ELV dimmable



- Full range AC input 110-277VAC, 60/50Hz
- Constant current outputs
- Deep dimming level as low as 1%
- UL 8750 Class 2 Class P certified with HL mark
- Compact size suitable for dry and damp locations
- 0-10V dimming - optional

MODEL	NO. OF OUTPUT	OUTPUT TYPE	OUTPUT	OUTPUT	PROGRAMMABLE (OUTPUT)	MAX. POWER (WATTS)	DIMMING METHODS				CASE STYLE		
			(VDC)	(mA)			TRIAC	ELV	0-10V	PWM	PLASTIC	METAL	ALUMINUM
MD22-U24-yyyy-Xz	1	CC	14-24	500-250	N	10							
MD22-U30-yyyy-Xz			16-30	400-200									
MD22-U36-yyyy-Xz			20-36	350-170									
MD22-U42-yyyy-Xz			24-42	300-150									
MD22-U54-yyyy-Xz			36-54	250-120									
MD22-U54-yyyy-Xz			14-24	1000-500		20							
MD22-U30-yyyy-Xz			16-30	770-400									
MD22-U36-yyyy-Xz			20-36	670-340									
MD22-U42-yyyy-Xz			27-42	580-290									
MD22-U54-yyyy-Xz			36-54	450-230									
MD42-U24-yyyy-Xz	1	CC	14-24	2000-1000	N	40							
MD42-U30-yyyy-Xz			16-30	1540-800									
MD42-U36-yyyy-Xz			20-36	1340-670									
MD42-U42-yyyy-Xz			27-42	1150-580									
MD42-U54-yyyy-Xz			36-54	890-450									
<b>DIMENSIONS (L x W x H)</b>													
MD22-XM: 121 x 42 x 29mm			MD22-XP: 85.3 x 32 x 27.7mm										
MD42-XM: 121 x 42 x 29mm			MD42-XP: 88 x 41 x 30mm										





**Q Series** Dry & damp location; 0-10V Dimming



- Available in plastic and metal (stud-mountable) design
- Constant current output only
- Compatible with 0-10V dimmers; source and sink
- UL8750 Class 2 / CE certified
- Full range AC unput from 110-277VAC

MODEL	NO. OF OUTPUT	OUTPUT TYPE	OUTPUT	OUTPUT	PROGRAMMABLE (OUTPUT)	MAX. POWER (WATTS)	DIMMING METHODS				CASE STYLE		
			(VDC)	(mA)			TRIAC	ELV	0-10V	PWM	PLASTIC	METAL	ALUMINUM
Q12	1	CC / CV	12-54	1300	N	23			•		•	•	
Q22	1	CC / CV	12-54	2500	N	25			•		•	•	
Q38	1	CC / CV	24-72	1850	N	40			•		•	•	
Q48	1	CC / CV	24-72	2200	N	50			•		•	•	
Q58	1	CC / CV	24-72	2650	N	60			•		•	•	
Q68	1	CC / CV	24-72	3150	N	70			•		•	•	

Dimensions (L x W x H)

Q12, Q22-XM: 114 x 42 x 29mm

Q12-XP: 85.3 x 38 x 27.7mm

Q22-XP: 85.3 x 38 x 27.7

Q38, Q48, Q58, Q68-XM: 120.3 x 76.3 x 30mm

Q38, Q48, Q58, Q68-XP: 138 x 47 x 32



**M Series** Dry & damp location; Multipurpose



- Low cost single stage design
- Constant current and constant voltage available
- Compatible with 0-10 or 1-10V dimmers
- UL/CE certified
- Fullrange AC unput from 110-277VAC

MODEL	NO. OF OUTPUT	OUTPUT TYPE	OUTPUT	OUTPUT	PROGRAMMABLE (OUTPUT)	MAX. POWER (WATTS)	DIMMING METHODS				CASE STYLE		
			(VDC)	(mA)			TRIAC	ELV	0-10V	PWM	PLASTIC	METAL	ALUMINUM
M9	1	CC	9-30	750	N	10			•		•		
M18	1	CC	10-30	830	N	22			•		•		
M28	1	CC	15-54	1250	N	30			•		•	•	
M38	1	CC	15-54	1660	N	40			•		•	•	
M48	1	CC	15-54	2090	N	50			•		•		

**DIMENSIONS (L x W x H)**

M9: 70.5 x 34.5 x 25mm

M18: 85.3 x 41 x 29mm

M28-XM: 114 x 42 x 29mm

M28-XP: 88 x 41 x 29mm

M38-XM: 114 x 42 x 29mm

M38-XP: 88 x 41 x 30mm

M48-XP: 138 x 47 x 32mm



### DALI Converter For dry location

- Powered by DALI Bus voltage or external Class 2 DC source
- Output 0-10V current sink
- Convert DALI signal to 0-10V dimming signal
- IEC 62386 DALI-1 certified
- Compact size

MODEL	NO. OF OUTPUT	OUTPUT TYPE	OUTPUT	OUTPUT	OUTPUT	SINK CURRENT	COMPATIBILITY	CASE STYLE
			(VDC)	(mA)	(VDC)	(mA)		PLASTIC
DA-010	1	Linear	12-22.5	2	0-10	<2	DALI	42 X 40 X 20.5MM (L x W x H)



### DALI Converter For dry location

- Powered by DALI Bus voltage or external Class 2 DC source
- DALI Type 8 Command
- Output 0-10V current sink
- Convert DALI signal to 0-10V dimming signal
- IEC 62386 DALI-1 certified
- Compact size

MODEL	NO. OF OUTPUT	OUTPUT TYPE	OUTPUT	OUTPUT	OUTPUT	SINK CURRENT	COMPATIBILITY	CASE STYLE
			(VDC)	(mA)	(VDC)	(mA)		PLASTIC
DA-020	1	Linear	12-22.5	2	0-10	<2	DALI	50 X 45 X 20MM (L x W x H)



### LD Series Dry & damp location; Multipurpose

- Universal AC input range 90~305VAC
- Constant Voltage Operatio
- Cooling by Free Air Convection (Metal Housing)
- Suitable for LED Strips and Moving Sign Applications
- Function options: 3 in 1 dimming (dim-to-off); DALI



MODEL	NO. OF OUTPUT	OUTPUT TYPE	OUTPUT	OUTPUT	PROGRAMMABLE (OUTPUT)	MAX. POWER	DIMMING METHODS				CASE STYLE		
			(VDC)	(mA)		(WATTS)	TRIAC	ELV	0-10V	PWM	PLASTIC	METAL	ALUMINUM
LD100H-VU83012-70(X)		CV	12	99.6		100			•	•		•	
LD100H-VU42024-70(X)		CV	24	100.8					•	•		•	
LD100H-VU28036-70(X)		CV	36	100.8					•	•		•	
LD100H-VU21048-70(X)		CV	48	100.8					•	•		•	
LD200H-VU1K612-72(X)		CV	12	200.4		200			•	•		•	
LD200H-VU83034-72(X)		CV	24	199.2					•	•		•	
LD200H-VU55036-72(X)		CV	36	198					•	•		•	
LD200H-VU41548-72(X)		CV	48	199.2					•	•		•	
LD300H-VU1K224-74(X)		CV	24	350		300			•	•		•	
LD300H-VU83336-74(X)		CV	36	400					•	•		•	
LD300H-VU62548-74(X)		CV	48	500					•	•		•	
LD400H-VU1K624-76(X)		CV	24	400.8		400			•	•		•	
LD400H-VU1K136-76(X)		CV	36	399.6					•	•		•	
LD400H-VU83348-76(X)		CV	48	398.4					•	•		•	

#### DIMENSIONS (L x W x H)

LD100H: 230 x 80.3 x 33.5mm  
LD200H: 230 x 80.3 x 33.5mm

LD300H: 223.2 x 98 x 38.5mm  
LD400H: 273.2 x 98 x 38.5mm

## ATEX Hazardous Location

For the international hazardous location ATEX standards, our HA060 and HA100 will meet your needs. The HA060 and HA100 are designed to exceed the requirements and ATEX certified. The series design provides a wide range of forward voltages and programmable constant current outputs.

In addition to 0-10V dimming, a 12VDC auxiliary output can be used to power control apparatus in fixtures. This is a design with a lot of benefits & savings!



### HA Series For Hazardous Locations

- Wide Range input from 110-277 VAC, 50-60Hz
- Constant power design with programmable output current
- Isolation dimming circuit- isolated from both primary and secondary circuits
- UL HL Recognized; CE Certified
- Isolated 0-10V Dimmable
- Auxillary DC output at 200mA
- ATEX Explosion-proof certified



MODEL	NO. OF OUTPUT	OUTPUT TYPE	OUTPUT	OUTPUT	PROGRAMMABLE (OUTPUT)	MAX. POWER (WATTS)	DIMMING METHODS				CASE STYLE		
			(VDC)	(mA)			TRIAC	ELV	0-10V	PWM	PLASTIC	METAL	ALUMINUM
HA060-090-0750	2	CC	45-90	300-750	Y	60			•	•			•
		CV	12	200									
HA060-048-1400	2	CC	24-48	600-1400	Y	60			•	•			•
		CV	12	200									
HA100-120-1000	2	CC	60-120	1000-400	Y	100			•	•			•
		CV	12	200									
HA100-070-1600	2	CC	36-72	1600-700	Y	100			•	•			•
		CV	12	200									
Dimensions (L x W x H) HA060: 160 x 64 x 36mm                      HA100: 180 x 64 x 36mm													



## MCA Series For Outdoor, 75W to 600W

- Input voltage 120-277VAC, 50/60 Hz
- Fully programmable CC output
- Low dim to off ; 100% - 10% dimming
- 12VDC Auxiliary output available
- Surge Protection- 5KV line-line, 10KV line-ground
- Suitable for dry/ damp/ wet locations; IP67 compliant
- Isolation dimming circuit- isolated from both primary and secondary circuits

MODEL	NO. OF OUTPUT	OUTPUT TYPE	OUTPUT	OUTPUT	PROGRAMMABLE (OUTPUT)	MAX. POWER (WATTS)	DIMMING METHODS				CASE STYLE							
			(VDC)	(mA)			TRIAC	0-10V	PWM	STEP	PLASTIC	METAL	ALUMINUM					
MCA075-041X	2	CC	20-41	2670-1830	Y	75		•	•	•			•					
		CV	12	200														
MCA-075-062X	2	CC	38-62	1880-1220	Y		75		•	•	•			•				
		CV	12	200														
MCA-075-108X	2	CC	54-108	1050-700	Y			75		•	•	•			•			
		CV	12	200														
MCA-105-041X	2	CC	20-41	3500-2560	Y				105		•	•	•			•		
		CV	12	200														
MCA-105-062X	2	CC	38-62	2500-1690	Y					105		•	•	•			•	
		CV	12	200														
MCA-105-100X	2	CC	50-100	1400-1050	Y						105		•	•	•			•
		CV	12	200														
MCA-105-150X	2	CC	75-150	1050-700	Y	105							•	•	•			•
		CV	12	200														
MCA-150-041X	2	CC	20-41	5400-540	Y		150						•	•	•			•
		CV	12	200														
MCA-150-062X	2	CC	38-62	3600-360	Y			150					•	•	•			•
		CV	12	200														
MCA-150-108X	2	CC	54-108	2100-210	Y				150				•	•	•			•
		CV	12	200														
MCA-150-143X	2	CC	80-143	1500-150	Y					150			•	•	•			•
		CV	12	200														
MCA-150-214X	2	CC	142-214	1050-150	Y						150		•	•	•			•
		CV	12	200														
MCA-200-041X	2	CC	20-41	6670-670	Y	200							•	•	•			•
		CV	12	200														
MCA-200-062X	2	CC	38-62	5000-3230	Y		200						•	•	•			•
		CV	12	200														
MCA-200-096X	2	CC	48-96	3000-300	Y			200					•	•	•			•
		CV	12	200														
MCA-200-143X	2	CC	96-143	2100-210	Y				200				•	•	•			•
		CV	12	200														
MCA-200-191X	2	CC	133-191	1500-150	Y					200			•	•	•			•
		CV	12	200														
MCA-200-286X	2	CC	191-286	1050-110	Y						200		•	•	•			•
		CV	12	200														
MCA-240-041X	2	CC	20-41	7500-750	Y	240							•	•	•			•
		CV	12	200														
MCA-240-062X	2	CC	28-62	5710-570	Y		240						•	•	•			•
		CV	12	200														
MCA-240-086X	2	CC	43-86	4200-2800	Y			240					•	•	•			•
		CV	12	200														
MCA-240-171X	2	CC	85-171	2100-1400	Y				240				•	•	•			•
		CV	12	200														
MCA-240-229X	2	CC	114-229	1500-1050	Y					240			•	•	•			•
		CV	12	200														
MCA-240-343X	2	CC	171-343	1050-700	Y						240		•	•	•			•
		CV	12	200														
MCA-320-041X	2	CC	20-41	10000-1000	Y	320							•	•	•			•
		CV	12	200														
MCA-320-062X	2	CC	36-62	7500-750	Y		320						•	•	•			•
		CV	12	200														
MCA-320-143X	2	CC	50-143	3200-2240	Y			320					•	•	•			•
		CV	12	200														
MCA-320-230X	2	CC	115-230	2110-1540	Y				320				•	•	•			•
		CV	12	200														
MCA-320-457X	2	CC	228-457	1100-700	Y					320			•	•	•			•
		CV	12	200														
MCA-600-060X	2	CC	24-60	10-12.5A	Y						600		•	•	•			•
		CV	12	200														
MCA-600-152X	2	CC	61-152	3.95-5.25A	Y	600							•	•	•			•
		CV	12	200														
MCA-600-545X	2	CC	430-545	1.1-1.4A	Y		600						•	•	•			•
		CV	12	200														

Dimensions (L x W x H)

MCA075: 120 x 66.2 x 36.8mm  
MCA200: 185 x 66.2 x 39mm  
MCA600: 251 x 142 x 46.5mm

MCA105: 145 x 66.2 x 39mm  
MCA240: 200 x 66.2 x 39mm

MCA150: 185 x 66.2 x 39mm  
MCA320: 223.2 x 66.2 x 40.3mm





## ATOM WIRELESS IN-WALL SWITCH

### Standard and Non-neutral Available

- Best low power load support, no bypass part or low power light adapter required
- Default local circuit operate and do not require system control
- 20dBm 2.4G for long range communication
- Power failure memory to return to its previous set level prior to the interruption of power
- Compatible to designer style wallplates or standard off-the-shelf wall plates
- Fit in 1-gang U.S. wallbox ; 2 1/2" minimum depth recommended
- Non-neutral design make installation easier (ZigBee only)
- Available color - white



### Order Information: WS-QRX-SY-ZZT

WS-	Q		R		X-		S		Y-		ZZ		T	
	RELAY FOR AC ON/OFF		LOCATION		0-10V DIMMING		NEUTRAL WIRE		WIRELESS COMMUNICATION PROTOCOL		NUMBER OF BUTTONS		FACE PLATE COLOR (Optional)	
WS	T	For Yes	A	For USA, 110 - 277VAC Input	0	No	0	Yes (With) for Zigbee or Bluetooth	1	Zigbee	02	2 Buttons   On/Off	A1	Dark Chocolate
											04	4 Buttons   On/Off	A2	Warm Caramel
											05	5 Buttons   On/Off; 2 Scene	A3	Moon Rock
	N	For No	E	For Europe, 230VAC Input	1	Yes	N	No (Without) for Zigbee only	2	BT 5.0	06	6 Buttons   On/Off; 2 Scene	A4	Silver Gray
											08	8 Buttons   On/Off; 4 Scene	A5	Pebble Gray



For over 32 years we have been providing establishing great relationships with our customers by provided them with quality LED and LED driver solutions. We look forward to being your next lighting partner.

[www.magtechind.com](http://www.magtechind.com)

Office: (702) 364 - 9998

Email: [csupport@magtechind.com](mailto:csupport@magtechind.com)

Address: 5625-A Arville ST. Las Vegas, NV 89118